

This Owner's Manual is provided and hosted by [Appliance Factory Parts](#).



Smoke Hollow LS2418-4B Owner's Manual

[Shop genuine replacement parts for Smoke Hollow
LS2418-4B](#)



[Find Your Smoke Hollow Grill Parts - Select From 115 Models](#)

----- Manual continues below -----



Owner's Manual LP Gas Barrel Grills



2-Burner Model
LS2016-2B



3-Burner Model
LS2418-3B



4-Burner Model
LS2418-4B

**THIS IS YOUR ASSEMBLY, CARE & USE MANUAL
WITH IMPORTANT WARNING & SAFETY INFORMATION.
PLEASE SAVE THESE INSTRUCTIONS.**



Approximate assembly time: 20 minutes
Tools needed for assembly: Phillips head screwdriver

FOR OUTDOOR USE ONLY

WARNING

THIS MANUAL CONTAINS IMPORTANT INFORMATION NECESSARY FOR THE PROPER AND SAFE USE OF THIS UNIT. READ AND FOLLOW ALL WARNINGS AND INSTRUCTIONS BEFORE USING GRILL AND DURING USE.

FAILURE TO FOLLOW THESE WARNINGS AND INSTRUCTIONS PROPERLY COULD RESULT IN FIRE OR EXPLOSION THAT COULD CAUSE PROPERTY DAMAGE, PERSONAL INJURY OR DEATH.

DANGER

DO NOT USE GAS GRILL FOR INDOOR COOKING OR HEATING. TOXIC FUMES CAN ACCUMULATE AND CAUSE ASPHYXIATION. DO NOT USE IN OR ON BOATS OR RECREATIONAL VEHICLES.

IF YOU SMELL GAS - SHUT OFF GAS TO THE APPLIANCE - EXTINGUISH ANY OPEN FLAME - OPEN LID - IF ODOR CONTINUES, KEEP AWAY FROM THE APPLIANCE AND IMMEDIATELY CALL YOUR GAS SUPPLIER OR YOUR FIRE DEPARTMENT.

IMPORTANT SAFEGUARDS

WARNING

- Do not store or use gasoline or other flammable liquids or vapors in the vicinity of this or any other appliance.
- An LP cylinder not connected for use shall not be stored in the vicinity of this or any other appliance.
- When cooking with oil/grease, do not allow the oil/grease to exceed 350°F (177°C).
Do not store or use extra cooking oil in the vicinity of this or any other appliance.
- This grill is for use with propane gas only (propane gas cylinder not included).
- Never attempt to attach this grill to a self-contained propane system of a camper trailer, motor home or house.
- Never use charcoal or lighter fluid with the gas grill.
- Do not use gasoline, kerosene or alcohol for lighting. The LP-gas supply cylinder must be constructed and marked in accordance with the specifications for propane gas cylinders of the U.S. Department of Transportation (DOT) CFR 49. This grill is not intended to be used in or installed on recreation vehicles and/or boats.
- Do not attempt to move the grill while it is lit.
- Do not use the grill unless it is completely assembled and all parts are securely fastened and tightened.
- Keep all combustible items and surfaces at least 36 inches (91.4cm) away from grill at all times.
- DO NOT use this grill or any gas product near unprotected combustible constructions.
- Do not attempt to move the grill while it is lit.
- Do not use in an explosive atmosphere. Keep grill area clear and free from combustible materials, gasoline and other flammable vapors and liquids

Continued on next page.

IMPORTANT SAFEGUARDS

- Do not touch metal parts of grill until it has completely cooled (about 45 minutes) to avoid burns, unless you are wearing protective gear (BBQ mittens, pot holders, etc.)
- Do not alter this grill in any manner.
- Clean and inspect the hose before each use. If there is evidence of abrasion, wear, cuts, or leaks, the hose must be replaced prior to operating the appliance. The replacement hose assembly will be that which is specified by the manufacturer.
- Move gas hoses as far away as possible from hot surfaces and dripping hot grease.
- Never keep a filled container in a hot car or car trunk. Heat will cause the gas pressure to increase, which may open the relief valve and allow gas to escape.
- Keep the grill's valve compartment, burners and circulating air passages clean. Inspect the grill before each use.
- This grill is for outside use only, and should not be used in a building, garage or any other enclosed area.
- The use of alcohol, prescription or non-prescription drugs may impair the operator's ability to properly assemble or safely operate the grill.
- Always open grill lid slowly and carefully as heat and steam trapped within the grill can burn you severely.
- Always place your grill on a hard, level surface far away from combustibles. An asphalt or blacktop surface may not be acceptable for this purpose.
- Do not leave a lit grill unattended. Keep children and pets away from the grill at all times.
- Do not place this grill on any type of tabletop surface.
- Do not use the grill in high winds.

DANGER

LIQUID PROPANE (LP) GAS IS FLAMMABLE AND HAZARDOUS IF HANDLED IMPROPERLY. KNOW ITS CHARACTERISTICS BEFORE USING ANY PROPANE PRODUCT.

- Propane Characteristics: Flammable, explosive under pressure, heavier than air and settles in pools and low areas.
- In its natural state, propane has no odor. For your safety, an odorant has been added.
- Contact with propane can cause freeze burns to skin.
- This grill is shipped from the factory for propane gas use only.
- Never use a propane cylinder with a damaged body, valve, collar or footing.
- Dented or rusted propane cylinders may be hazardous and should be checked by your propane gas supplier.

WARNING

CALIFORNIA PROPOSITION 65

1. COMBUSTION BY-PRODUCTS PRODUCED WHEN USING THIS PRODUCT CONTAIN CHEMICALS KNOWN TO THE STATE OF CALIFORNIA TO CAUSE CANCER, BIRTH DEFECTS, AND OTHER REPRODUCTIVE HARM.
2. THIS PRODUCT CONTAINS CHEMICALS, INCLUDING LEAD AND LEAD COMPOUNDS, KNOWN TO THE STATE OF CALIFORNIA TO CAUSE CANCER, BIRTH DEFECTS OR OTHER REPRODUCTIVE HARM. WASH YOUR HANDS AFTER HANDLING THIS PRODUCT.



Congratulations

on your purchase of your new
Smoke Hollow® LP Gas Barrel Grill.

With proper set-up, operation and maintenance, this appliance will provide you with years of delicious food and cooking enjoyment.

IMPORTANT

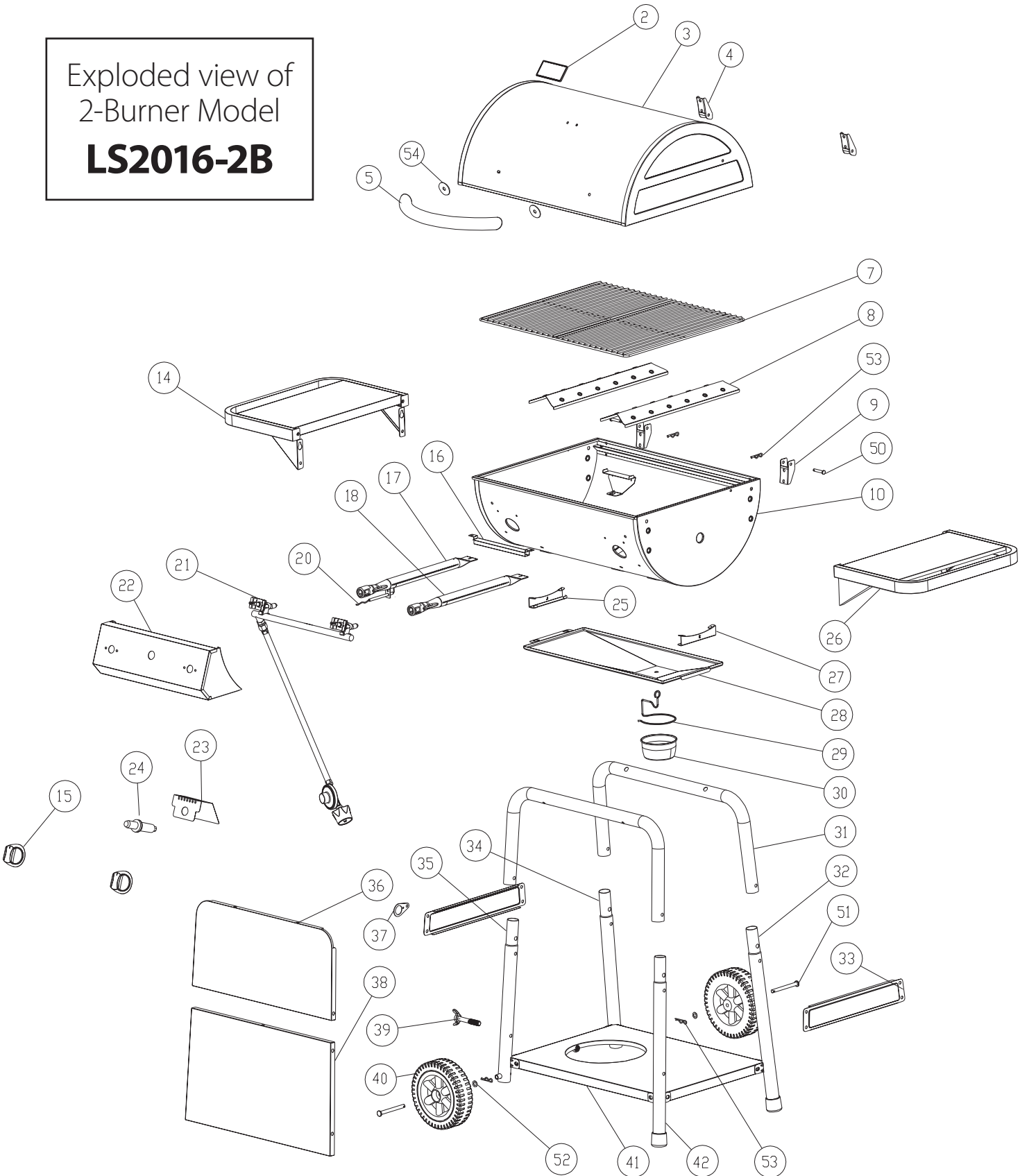
When you un-pack your grill, remove all parts and packaging material from the box and inside the grill. Make sure you have all the items on the parts list. Carefully check the unit and make sure there is no damage.

IF YOU HAVE ANY PROBLEMS WITH THIS PRODUCT OR THERE ARE MISSING OR DAMAGED PARTS , PLEASE CALL CUSTOMER SERVICE TOLL FREE 1-866-475-5180 (Monday–Friday, 8:30 am–4:30 pm, CST).

NOTE : DO NOT RETURN UNIT TO THE STORE BEFORE CALLING THE TOLL FREE NUMBER. Do not dispose of your cartons until you are completely satisfied with your new Smoke Hollow grill.

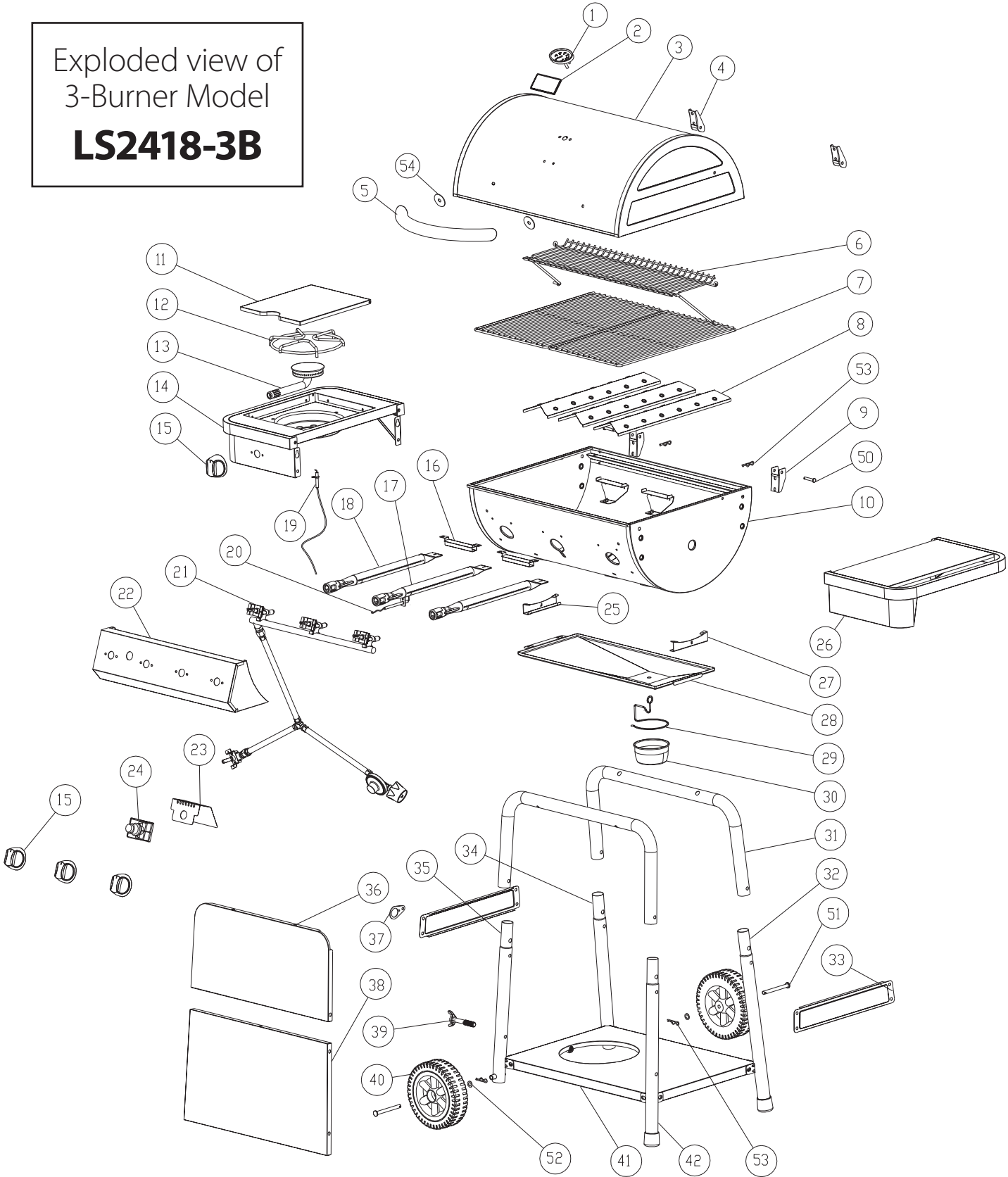
Parts and Tool List

Exploded view of
2-Burner Model
LS2016-2B



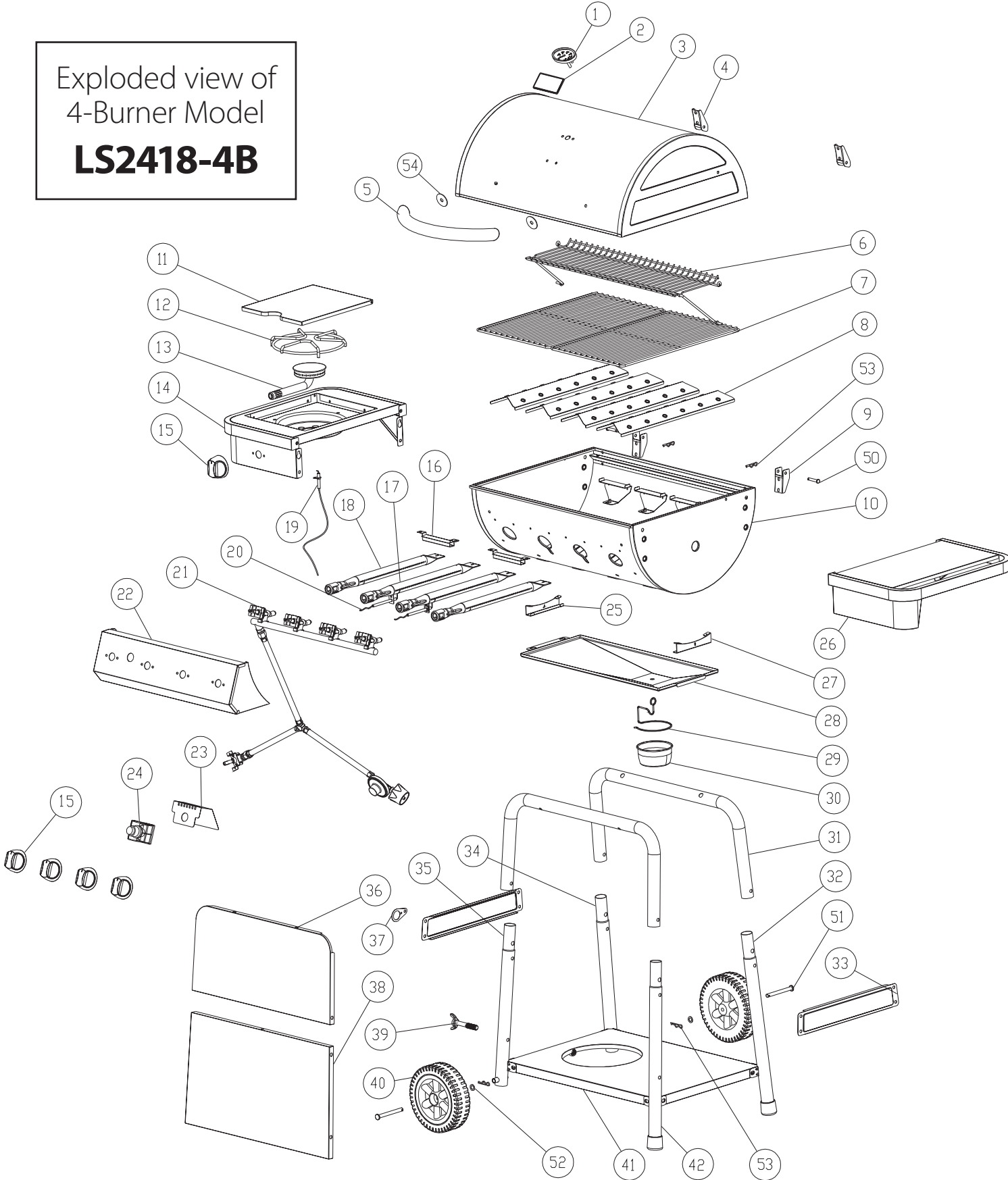
Parts and Tool List

Exploded view of
3-Burner Model
LS2418-3B



Parts and Tool List

Exploded view of
4-Burner Model
LS2418-4B



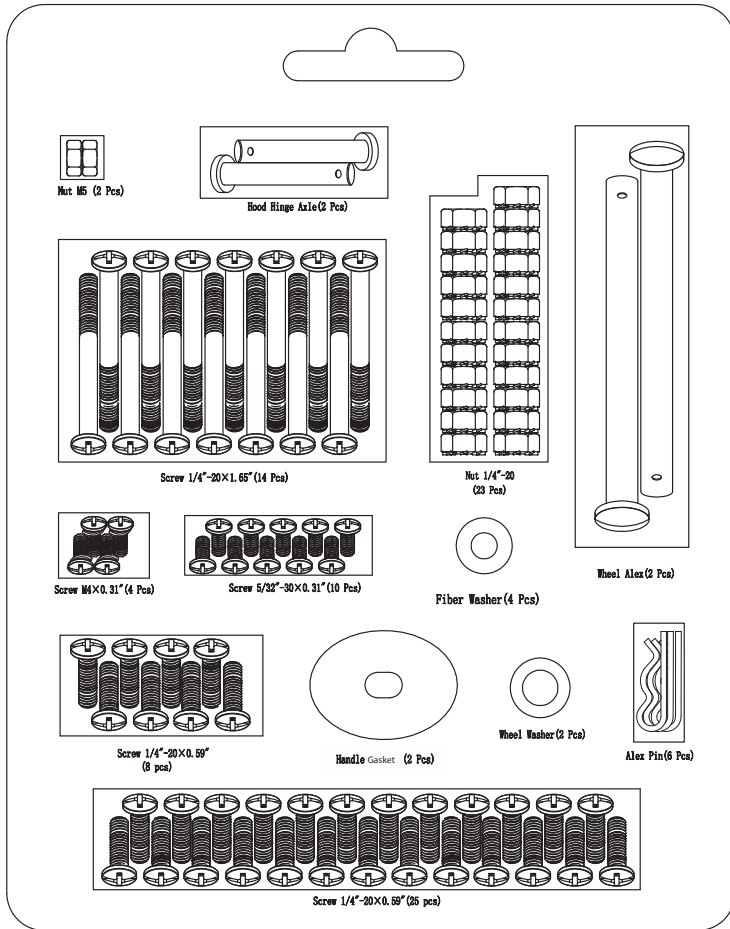
Parts and Tool List

Note: For assistance, including missing or damaged parts, call toll free 1- 866-475-5180 from 8:30 am - 4:30 pm Central Time, Monday - Friday

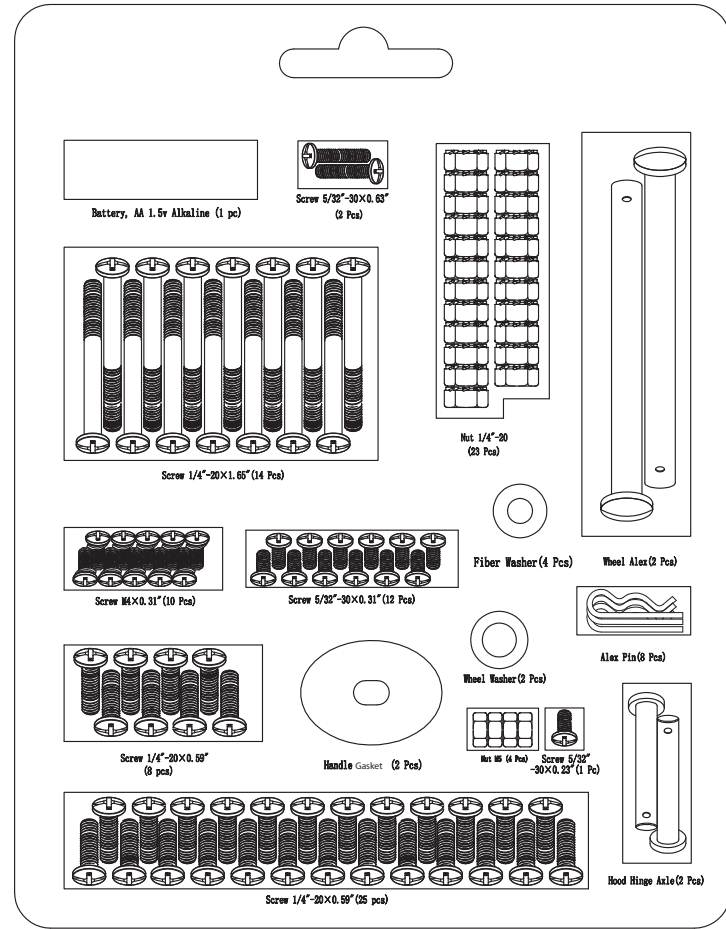
Key	Description	Quantity		
		LS2016-2	LS2418-3	LS2418-4
1	Heat Indicator	0	1	1
2	Name Plate	1	1	1
3	Barrel Lid	1	1	1
4	Barrel Lid Hinge	2	2	2
5	Handle	1	1	1
6	Warming Rack	0	1	1
7	Cooking Grid	1	2	2
8	Heat Tent	2	3	4
9	Barrel Base Hinge	2	2	2
10	Barrel Base	1	1	1
11	Side Burner Lid	0	1	1
12	Side Burner Grid	0	1	1
13	Side Burner	0	1	1
14	Left Side Table	1	1	1
15	Knob	2	4	5
16	Flame Channel	1	2	2
17	Burner with Electrode	1	1	2
18	Burner without Electrode	1	2	2
19	Side Burner Electrode	0	1	1
20	Main Electrode	1	1	2
21	Manifold Assembly	1	1	1
22	Control Panel	1	1	1
23	Ignitor Shield	1	1	1
24	Ignitor	1	1	1
25	Left Brace, Grease Pan	1	1	1
26	Right Side Table	1	1	1
27	Right Brace, Grease Pan	1	1	1
28	Grease Pan	1	1	1
29	Drip Cup Holder Wire	1	1	1
30	Drip Cup	1	1	1
31	Top U-Frame	2	2	2
32	Right Rear Leg	1	1	1
33	Side Brace	2	2	2
34	Left Rear Leg	1	1	1
35	Left Front Leg	1	1	1
36	Front Top Panel	1	1	1
37	Regulator Holder	1	1	1
38	Front Bottom Panel	1	1	1
39	Tank Retainer Bolt	1	1	1
40	Wheel	2	2	2
41	Cart Shelf	1	1	1
42	Right Front Leg	1	1	1

Parts and Tool List

Hardware Pack for LS2016-2



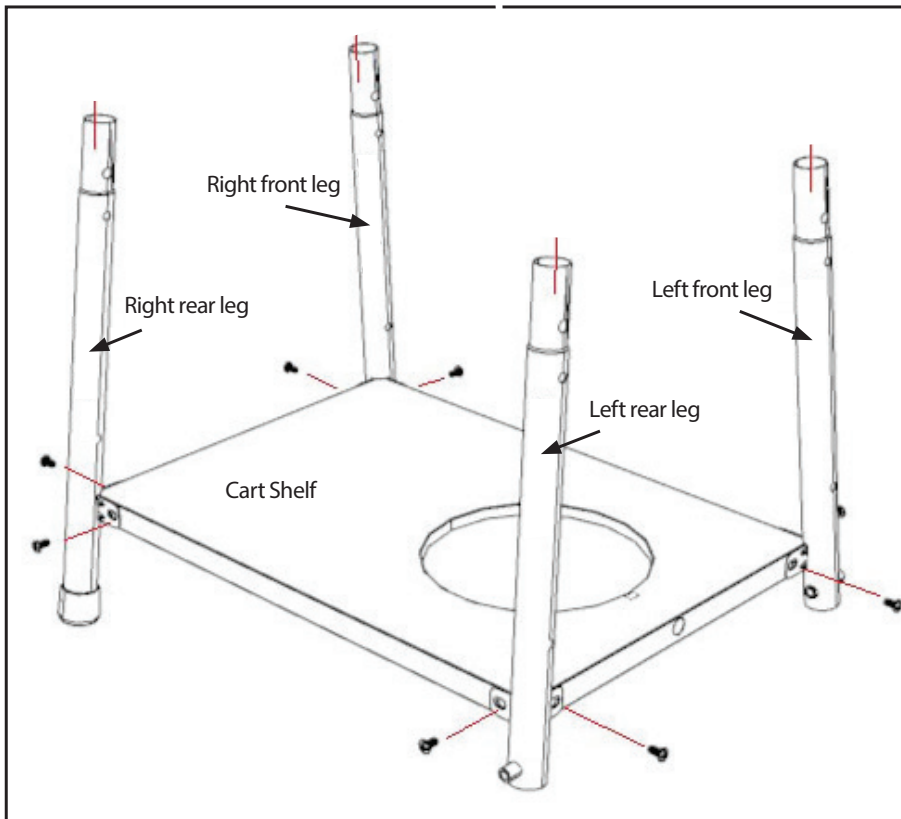
Hardware Pack for LS2418-3 and LS2418-4



Key	Description	Quantity		
		LS2016-2	LS2418-3	LS2418-4
43	1/4"-20 x 1.65" Bolt	14	14	14
44	1/4"-20 x 0.59" Bolt	33	33	33
45	1/4" Hex Nut	23	23	23
46	M5 Hex Nut	2	4	4
47	M4 x 0.31" Bolt	4	8	10
48	5/32"-30 x 0.31" Bolt	10	11	12
49	5/32"-30 x 0.63" Bolt	0	2	2
50	Lid Hinge Pin	2	2	2
51	Wheel Axle	2	2	2
52	Wheel Washer	2	2	2
53	"R" Clip	6	7	8
54	Handle Gasket	2	2	2
55	Battery	0	1	1
56	Fiber Washer	4	4	4

Grill Assembly

1. Leg Assembly



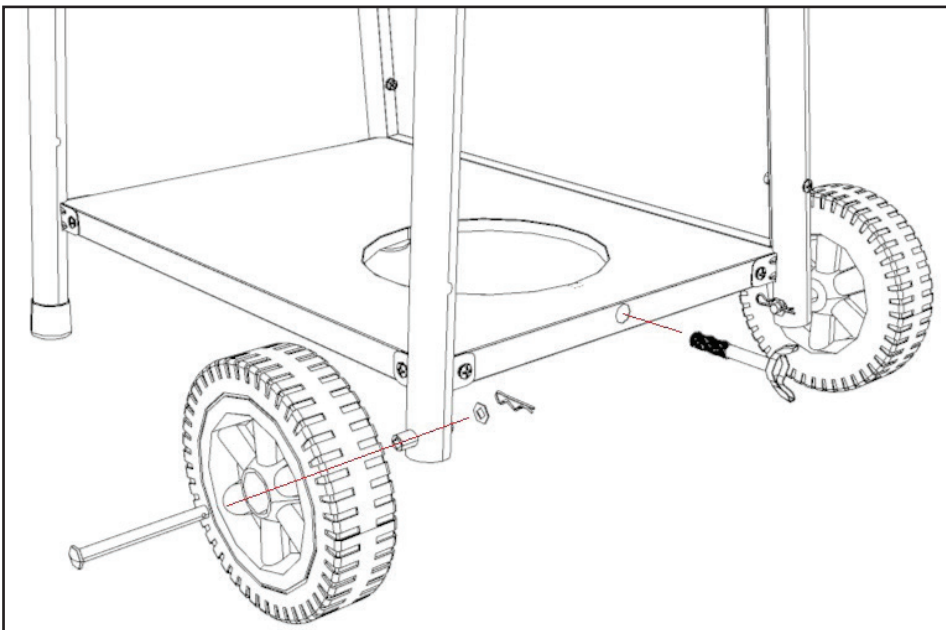
Locate:

- Left front leg
- Left rear leg
- Right front leg
- Right rear leg
- Cart bottom
- (8) $\frac{1}{4}$ "-20 x 0.59" bolts

Instructions:

Attach each leg to the the cart bottom as shown with (2) $\frac{1}{4}$ "-20 x 0.59" bolts each. Make sure Propane tank hole in Cart bottom is located as shown.

2. Wheel Assembly



Locate:

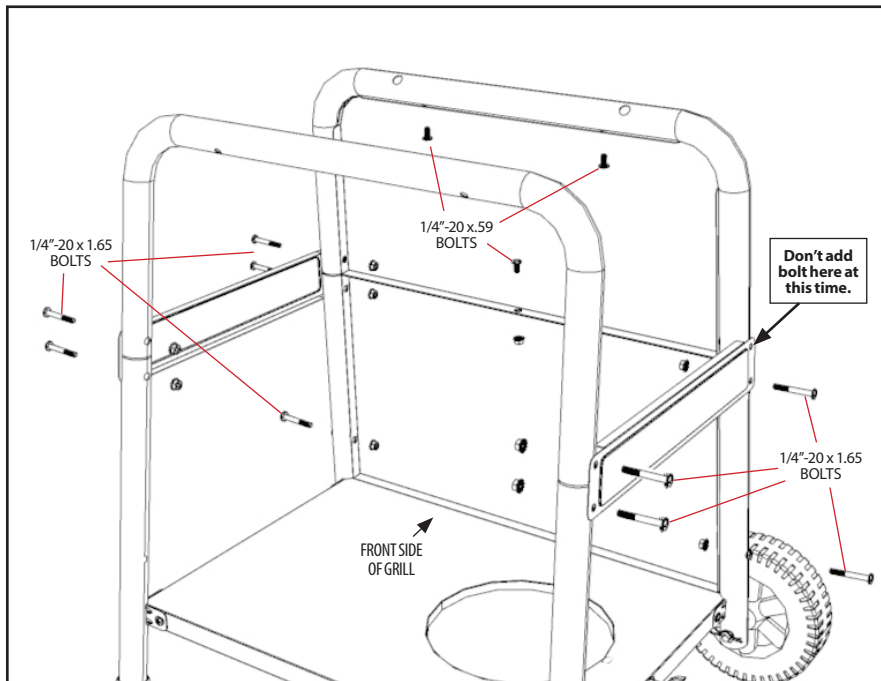
- (2) Wheels
- (2) Wheel Axles
- (2) Wheel Washers
- (2) "R" Clips
- Tank Retainer Bolt

Instructions:

Attach as shown each wheel to the legs with the Wheel Axles and secure with Wheel Washers and "R" Clips. Screw the Tank Retainer Bolt into the hole on the side leaving space for the tank to slip into later.

Grill Assembly

3. Cart Frame Assembly



Locate:

- (2) Top U-Frames
- (2) Side Braces
- Front Top Panel
- Front Bottom Panel
- (9) 1/4"-20 x 1.65" bolts
- (3) 1/4"-20 x .59" bolts
- (10) 1/4" Hex Nuts

Instructions:

Slide each of the Top U-Frames onto the Legs as shown. Make sure holes along top are facing inward. Attach Front Top Panel and Front Bottom Panel before attaching the Side Braces. Reference image for correct bolt size and placement. Use 1/4" Hex Nuts to secure bolts as shown here.

Note: Leave the top right bolt out at this time as indicated.

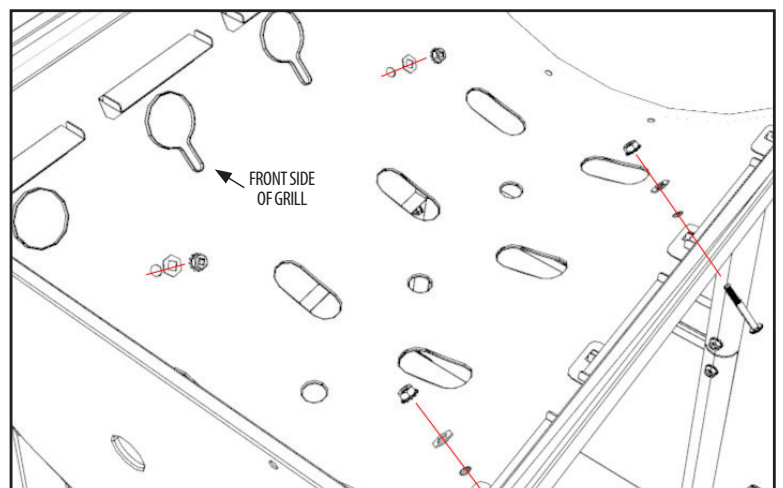
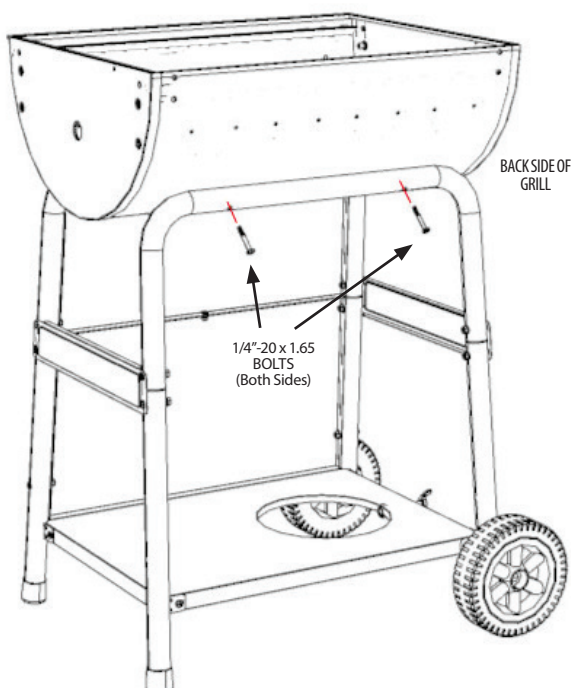
4. Barrel Base Assembly

Locate:

- Barrel Base
- (4) 1/4"-20 x 1.65" bolts
- (4) 1/4" Hex Nuts
- (4) Fiber Washers

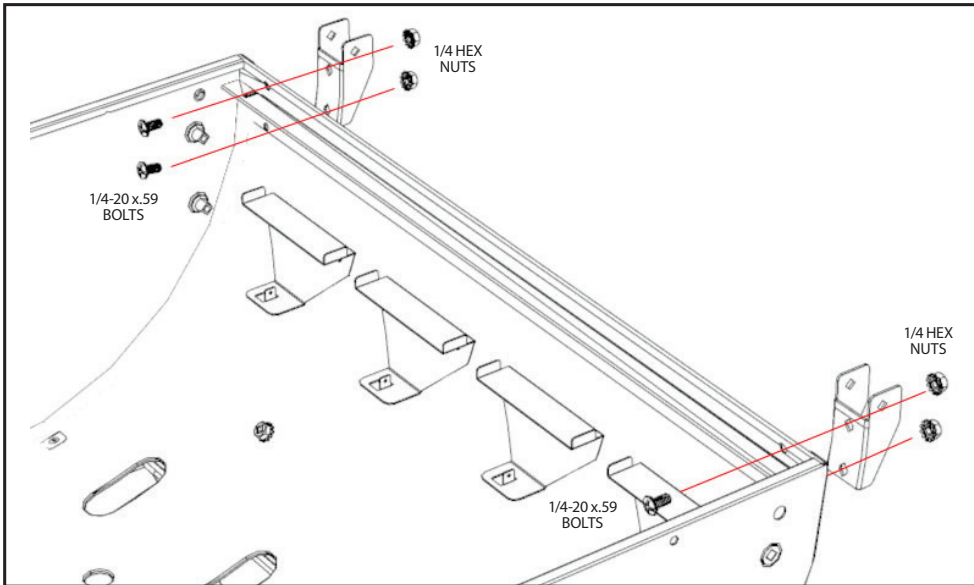
Instructions:

Attach Barrel Base to the Cart Frame as shown here with (4) 1/4"-20 x 1.65" bolts, (4) Fiber Washers and (4) 1/4" Hex Nuts.



Grill Assembly

5. Barrel Base Hinge Assembly



Locate:

- (2) Barrel Base Hinges
- (4) 1/4"-20 x.59" bolts
- (4) 1/4" Hex Nuts

Instructions:

Attach Barrel Base Hinges as shown here.

6. Grease Pan Brace Assembly

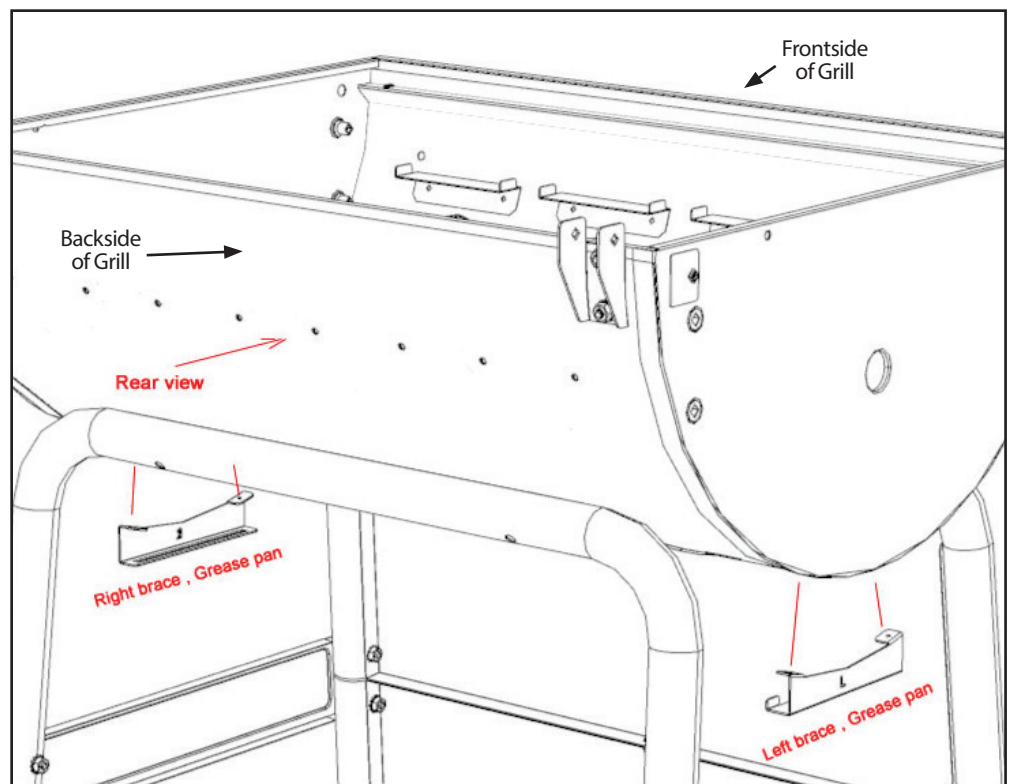
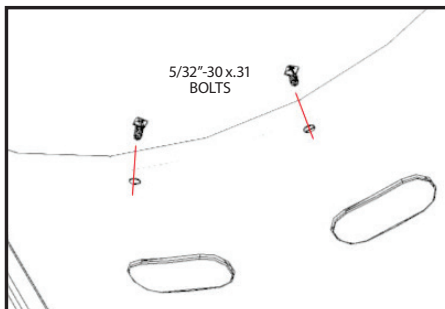
Locate:

- Left Grease Pan Brace
- Right Grease Pan Brace
- (4) 5/32"-30 x.31" bolts

Instructions:

Attach Grease Pan Braces to the bottom side of Barrel Base as shown here.

Note: Make sure Left Grease Pan Brace is attached to the left side and Right Grease Pan Brace is attached to the right side.



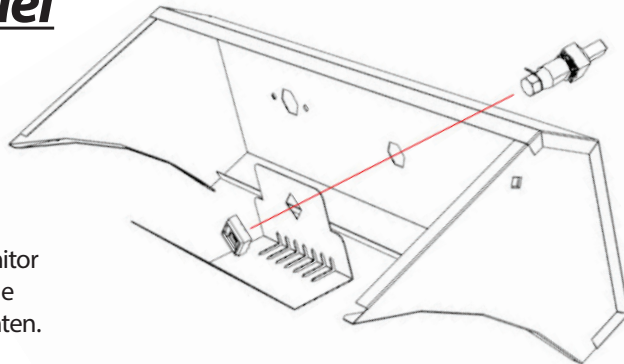
Grill Assembly

7. Control Panel Assembly

2-Burner Model

Step 1:

Push the Piezo Ignitor through the center hole of the Control Panel and the Piezo Ignitor Bracket as shown and attach the Piezo square nut and hand tighten.

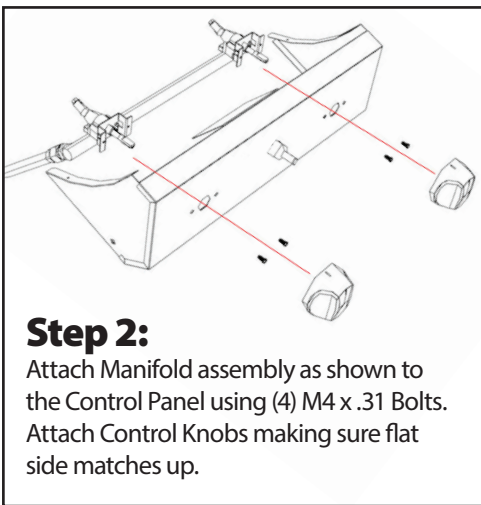


Locate:

- Control Panel
- (2) Control Knobs
- Manifold Assembly
- Piezo Ignitor
- Piezo Ignitor Bracket
- (4) M4 x .31 Bolt
- (4) $\frac{5}{32}$ "-30 x.31" bolt
- (1) $\frac{1}{4}$ "-20 x 1.65" bolt
- (1) $\frac{1}{4}$ "-20 Nut

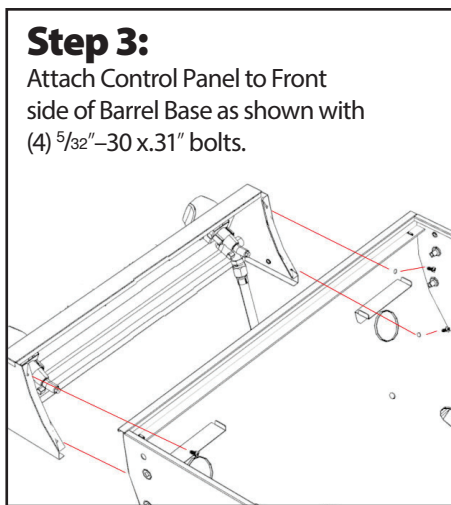
Step 2:

Attach Manifold assembly as shown to the Control Panel using (4) M4 x .31 Bolts. Attach Control Knobs making sure flat side matches up.



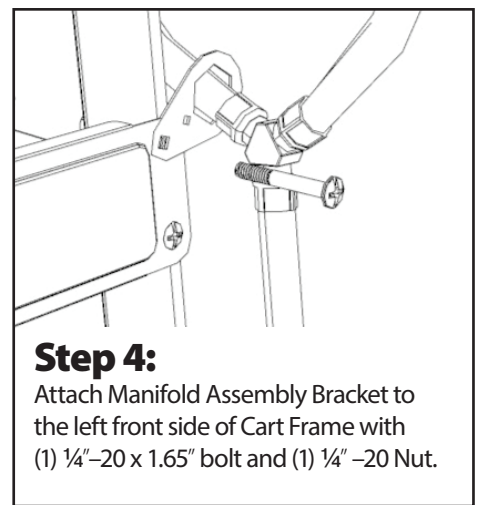
Step 3:

Attach Control Panel to Front side of Barrel Base as shown with (4) $\frac{5}{32}$ "-30 x.31" bolts.



Step 4:

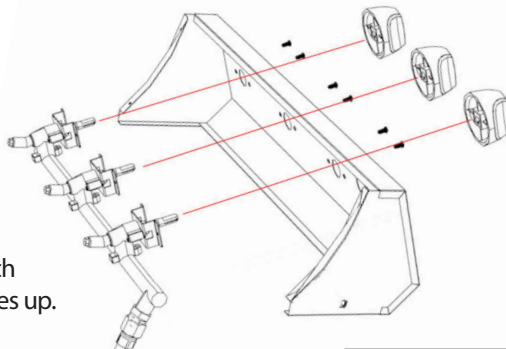
Attach Manifold Assembly Bracket to the left front side of Cart Frame with (1) $\frac{1}{4}$ "-20 x 1.65" bolt and (1) $\frac{1}{4}$ "-20 Nut.



3-Burner Model

Step 1:

Attach Manifold assembly as shown to the Control Panel using (4) M4 x .31 Bolts. Attach Control Knobs making sure flat side matches up.

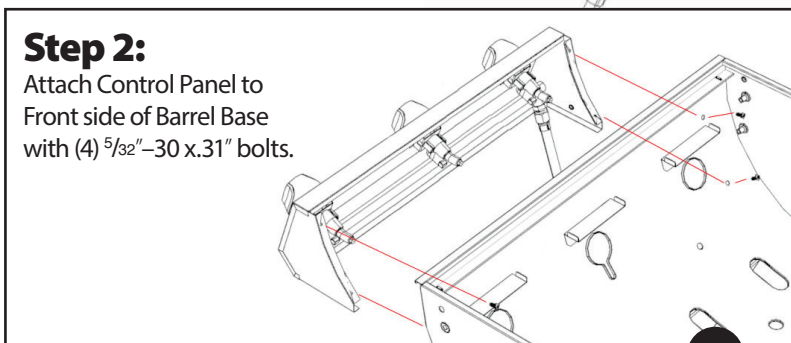


Locate:

- Control Panel
- (3) Control Knobs
- Manifold Assembly
- (6) M4 x .31 Bolts
- (4) $\frac{5}{32}$ "-30 x.31" bolts
- (1) $\frac{1}{4}$ "-20 x 1.65" bolts
- (1) $\frac{1}{4}$ "-20 Nut

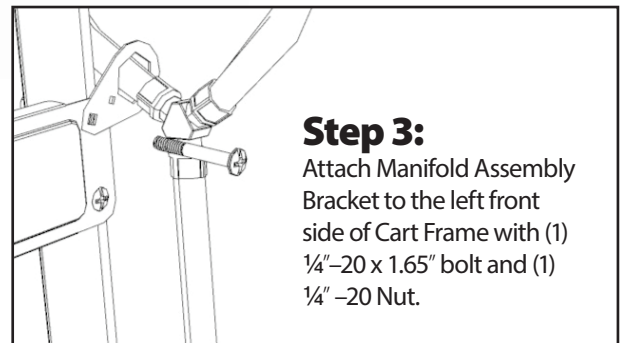
Step 2:

Attach Control Panel to Front side of Barrel Base with (4) $\frac{5}{32}$ "-30 x.31" bolts.



Step 3:

Attach Manifold Assembly Bracket to the left front side of Cart Frame with (1) $\frac{1}{4}$ "-20 x 1.65" bolt and (1) $\frac{1}{4}$ "-20 Nut.

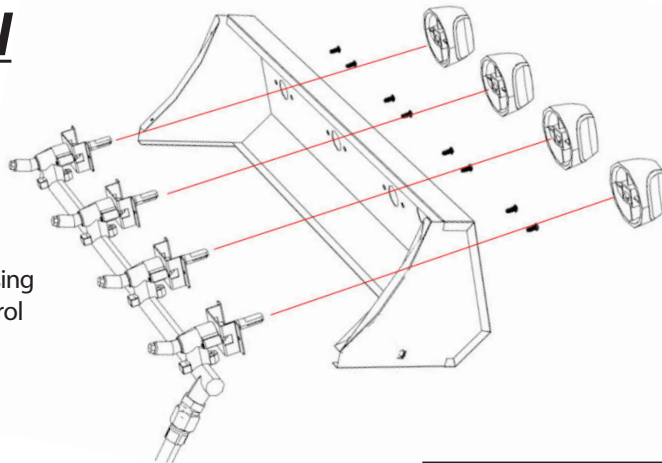


Grill Assembly

4-Burner Model

Step 1:

Attach Manifold assembly as shown to the Control Panel using (4) M4 x .31 Bolts. Attach Control Knobs making sure flat side matches up.

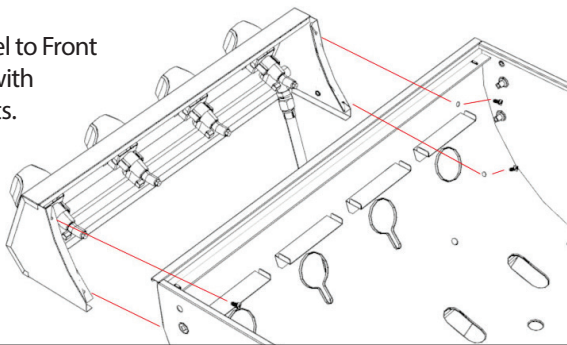


Locate:

- Control Panel
- (4) Control Knobs
- Manifold Assembly
- (8) M4 x .31 Bolts
- (4) $\frac{5}{32}$ "-30 x.31" bolts
- (1) $\frac{1}{4}$ "-20 x 1.65" bolts
- (1) $\frac{1}{4}$ "-20 Nut

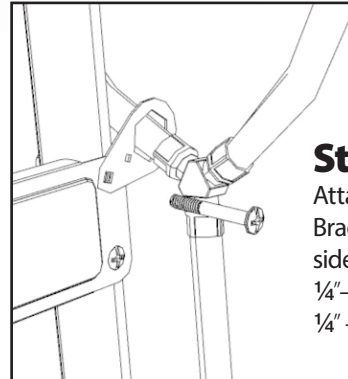
Step 2:

Attach Control Panel to Front side of Barrel Base with (4) $\frac{5}{32}$ "-30 x.31" bolts.



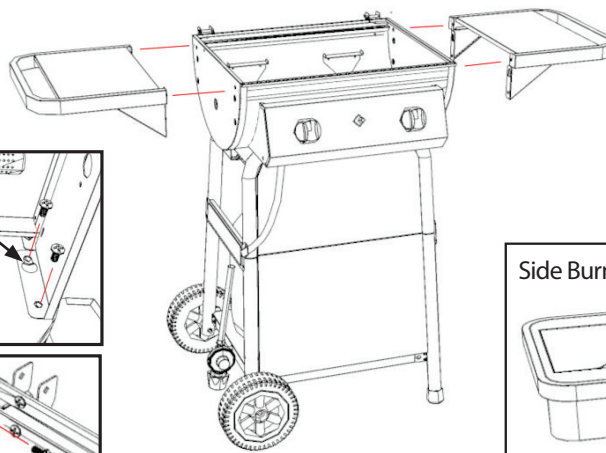
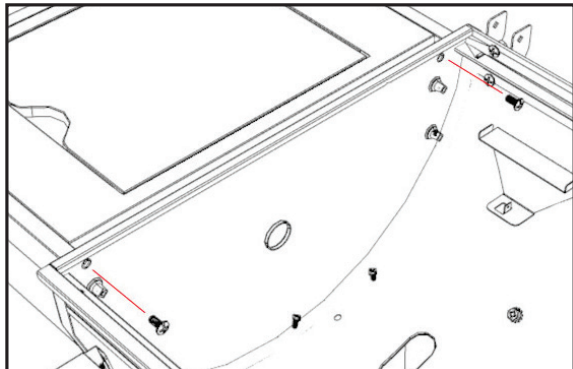
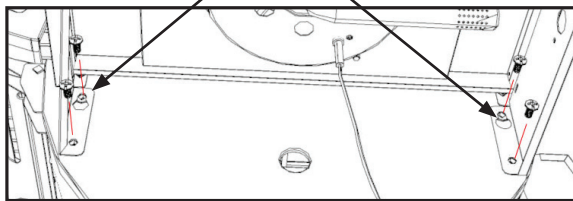
Step 3:

Attach Manifold Assembly Bracket to the left front side of Cart Frame with (1) $\frac{1}{4}$ "-20 x 1.65" bolt and (1) $\frac{1}{4}$ "-20 Nut.



8. Side Table Assembly

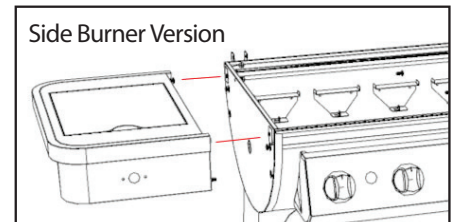
NOTE: Start these two screws first allowing for about a $\frac{1}{4}$ " of space so that the Tables can slide onto and stabilize for assembly.



Locate:

- Left Side Burner Table
- Right Side Table
- (12) $\frac{1}{4}$ "-20 x .59" bolts

Side Burner Version



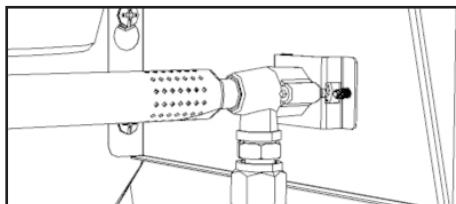
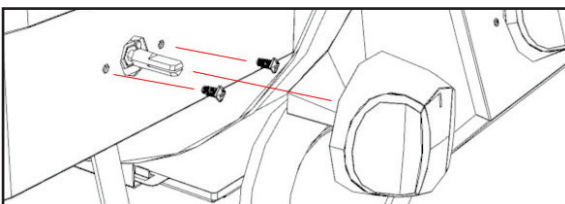
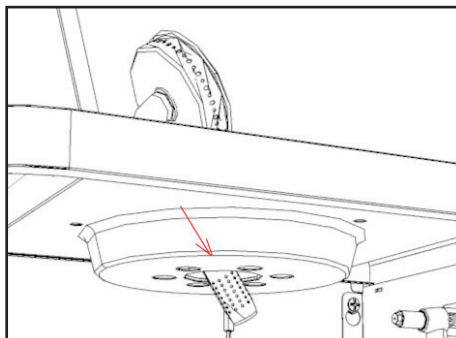
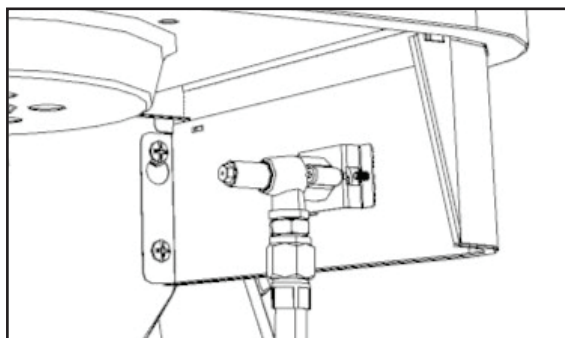
Instructions:

Start the top two screws on the outside of the Barrel Base so that the Side Tables can slide onto and rest upon them. Then attach the two inside screws through the Barrel Base into the Side Tables. Screw the remaining two screws through the Side Table brackets into the Barrel Base. Finish by tightening all loose screws.

Grill Assembly

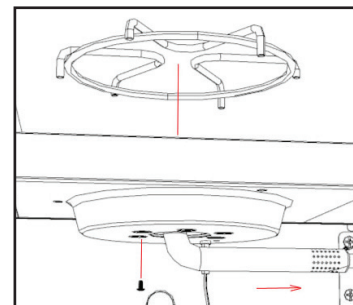
9. Side Burner Assembly

NOTE: For 3 & 4-Burner Grills Only



Locate:

- Control Knob
- Side Burner
- Side Burner Grid
- (2) M4 x .31 Bolts
- (1) $\frac{5}{32}$ "-30 x.23" bolts



Step 1:

Take the Side Burner Valve connected to the Manifold Assembly and attach it through the front face of the Side Burner Table with (2) M4 x .31 Bolts. Then attach the Control Knob.

Step 2:

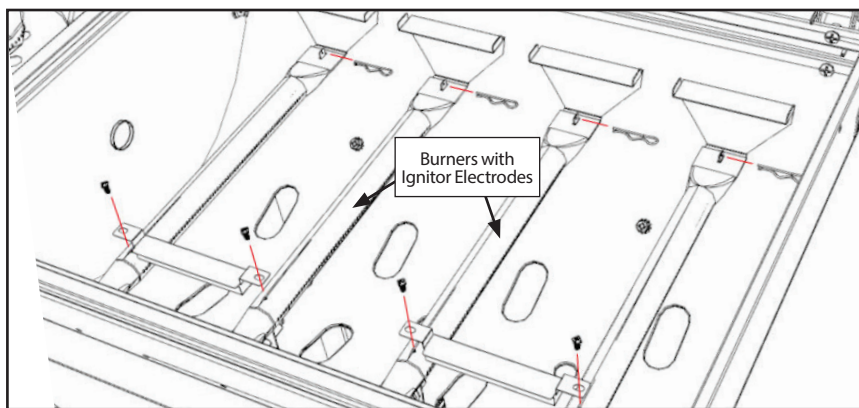
Take the Side Burner and pull it through the opening in the table as shown and slide it onto the Side Burner Valve.

Note: Make sure that the burner tube is positioned over the tip of the valve.

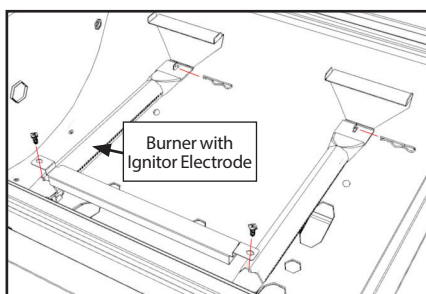
Step 3:

Attach Side Burner to Base with (1) $\frac{5}{32}$ "-30 x.23" bolt as shown. Place the Side Burner Grid over the Side Burner.

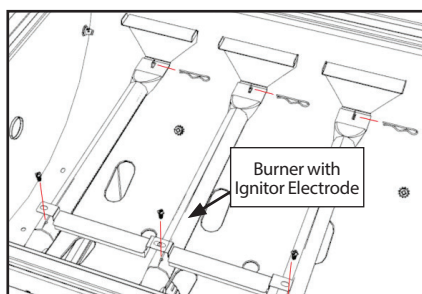
10. Burner Assembly



4-Burner Version



2-Burner Version



3-Burner Version

Locate:

- (4) "R" Clips
- (2) Burners with Ignitor Electrodes
- (2) Burners
- (2) Burner Crossover Tubes
- (4) $\frac{5}{32}$ "-30 x.31" bolts

NOTE: Part counts will vary depending on number of burners.

Instructions:

Place Burners in Barrel Base as shown here.

See images for location of Burners with Ignitor Electrodes. Make sure to place Electrode wires through the openings in the Barrel Base for later attachment.

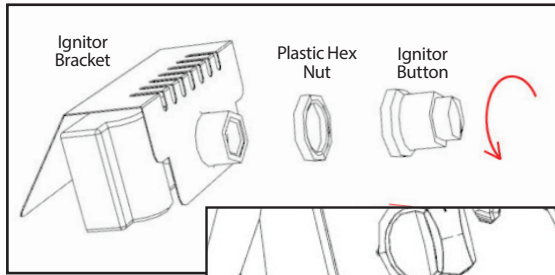
Note: Make sure that the burner tubes are positioned over the tips of the valves.

Attach "R" Clips as shown here to hold backside of Burners. Attach the Burner Crossover Tubes with $\frac{5}{32}$ "-30 x.31" bolts to secure front side of Burners.

Grill Assembly

11. Electronic Ignitor Assembly

Instructions for 3 & 4-Burner Grills

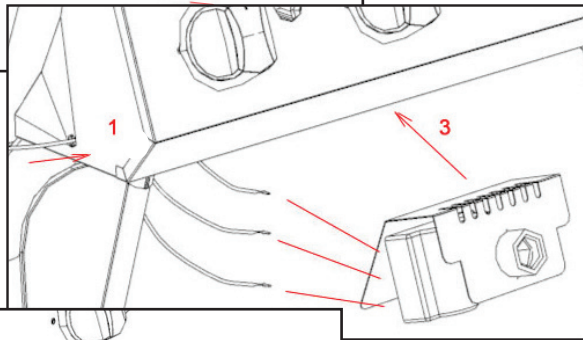


Step 1:

Remove the Ignitor Button and Hex Nut from the Ignitor. Assemble the Electronic Ignitor to the Ignitor Bracket as shown.

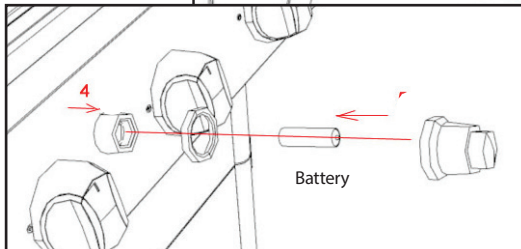
Locate:

- Electronic Ignitor
- Electronic Ignitor Bracket
- Battery



Step 2:

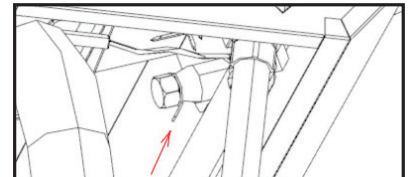
Feed the ignitor wire from the side burner through the small hole in the left side of the Control Panel and attach to Electronic Ignitor. Connect the (2) Ignitor wires from the main burners to the Electronic Ignitor (*Note: 3-Burner Grills will have only 1 wire*). Place the Electronic Ignitor with bracket to the backside of the Control Panel so that the threaded part comes through the Control Panel face.



Step 3:

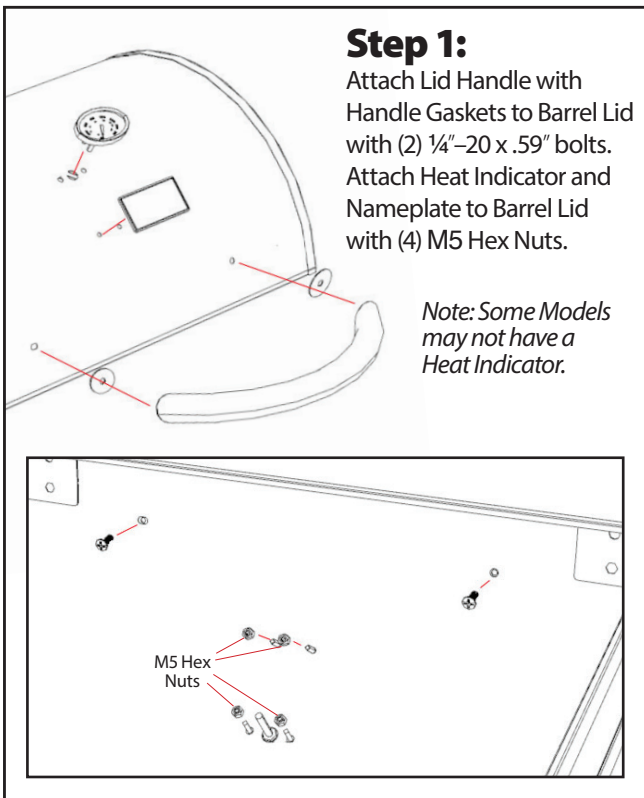
Secure in place with the Plastic Hex Nut and then insert the battery into the ignitor with positive end facing out. Attach the Ignitor Button to the Ignitor.

For 2-Burner Grills Only



Connect Ignitor wire from main burner to the previously attached Piezo ignitor from below Control Panel.

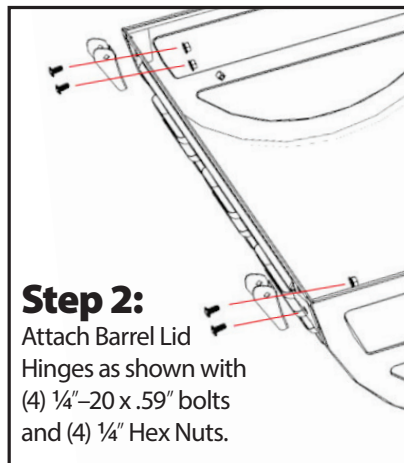
12. Barrel Lid Assembly



Step 1:

Attach Lid Handle with Handle Gaskets to Barrel Lid with (2) $\frac{1}{4}$ "-20 x .59" bolts. Attach Heat Indicator and Nameplate to Barrel Lid with (4) M5 Hex Nuts.

Note: Some Models may not have a Heat Indicator.

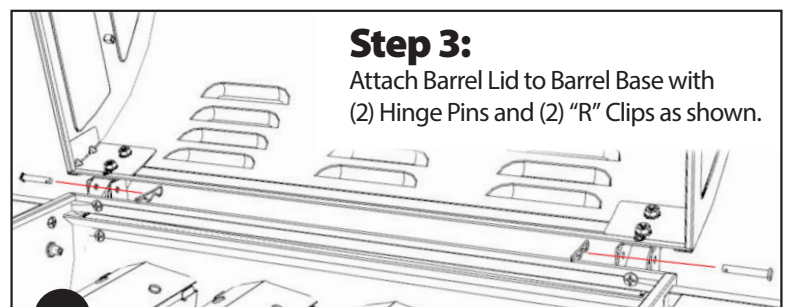


Step 2:

Attach Barrel Lid Hinges as shown with (4) $\frac{1}{4}$ "-20 x .59" bolts and (4) $\frac{1}{4}$ " Hex Nuts.

Locate:

- Barrel Lid
- Lid Handle
- Nameplate
- Heat Indicator
- (2) Barrel Lid Hinges
- (6) $\frac{1}{4}$ "-20 x .59" bolts
- (4) $\frac{1}{4}$ " Hex Nuts
- (2) Handle Gaskets
- (4) M5 Hex Nuts
- (2) Lid Hinge Pins
- (2) "R" Clips



Step 3:

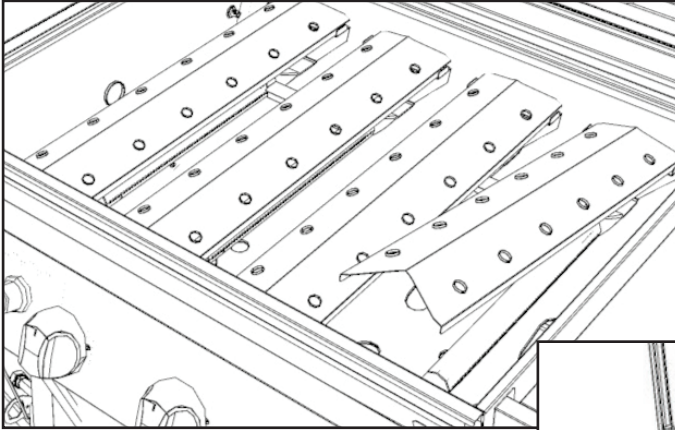
Attach Barrel Lid to Barrel Base with (2) Hinge Pins and (2) "R" Clips as shown.

Grill Assembly

13. Final Assembly

Locate:

- (4) Heat Tents
- Warming Rack
- (2) Cooking Grids
- (2) $\frac{5}{32}$ "-30 x .63" bolts
- Grease Pan
- Grease Cup
- Grease Cup Wire Holder



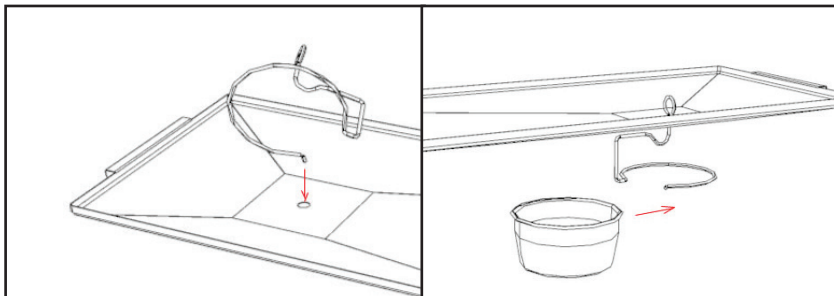
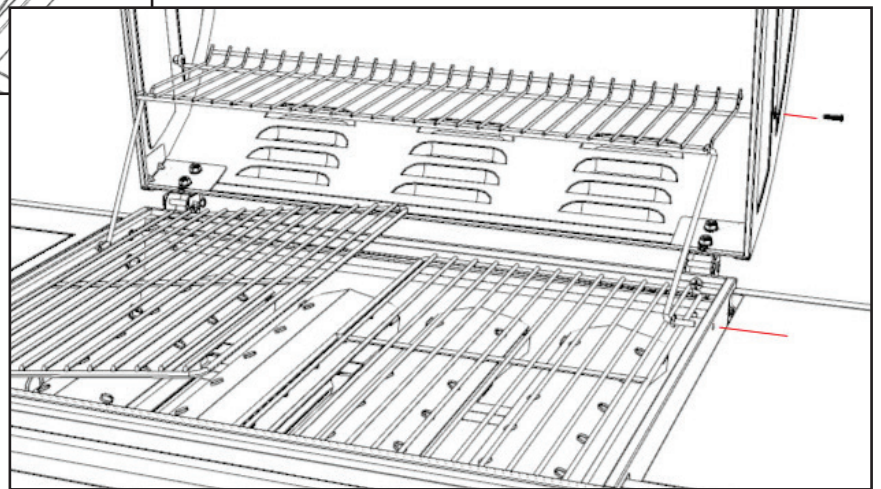
Heat Tent Assembly

Lay Heat Tents over the Burners here. They should sit into the shelves on the front and back of the Barrel Base.

Cooking Grids and Warming Rack Assembly

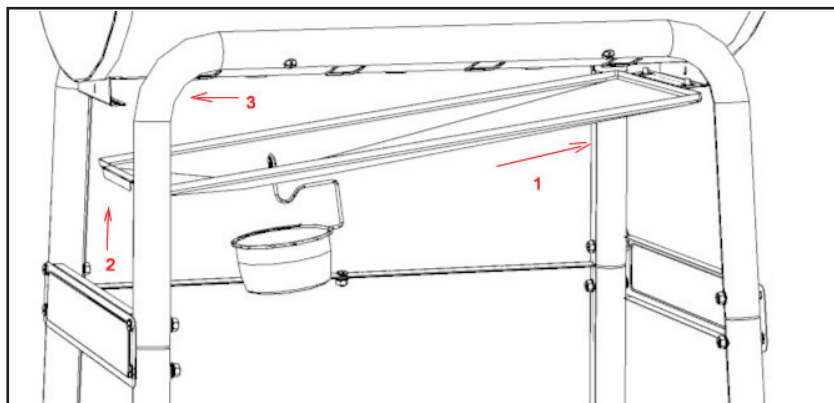
Place Cooking Grids over the Heat Tents as shown. Attach the Warming Rack to the Barrel Lid as shown with (2) $\frac{5}{32}$ "-30 x .63" bolts. Place Warming Rack Front Legs into the holes on the sides of the Barrel Base.

Note: Some models may not have a Warming Rack.



Grease Pan Assembly

Place Grease Cup Wire through hole in bottom of Grease Pan as shown. Insert Grease Cup into Grease Cup Wire Support. From the back of the Grill, position the Grease Pan as shown so that the slots of the Grease Pan are positioned over the tabs on the left Grease Pan Brace and the tab on the Grease Pan is positioned through the slot on the right Grease Pan Brace.



Grill Assembly



2-Burner Model
LS2016-2B



3-Burner Model
LS2418-3B



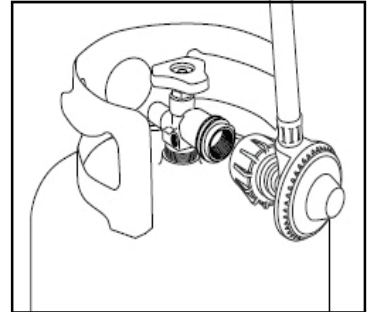
4-Burner Model
LS2418-4B

**ASSEMBLY OF YOUR GRILL IS NOW COMPLETE.
FOR YOUR SAFETY, FOLLOW ALL SAFE GUARDS
AND INSTRUCTIONS.**

Operating Instructions

Connecting the LP gas cylinder to the grill

- The LP Gas Cylinder must be a 20 pound cylinder and have a Type 1 Cylinder Valve Outlet Connector.
- Handle the Cylinder with care - do not drop it.
- When you are not using the grill, the LP Gas Cylinder should be disconnected.
- Connect the regulator and hand tighten firmly.
- Do a leak test each time you connect a LP Gas Cylinder and before lighting the grill.
- Never use a match or lit flame to test for leaks.
- To test, prepare a weak solution of detergent and water. Spray or swab the solution onto the connection of the regulator to the LP Gas Cylinder valve, and on all the joints in the hose connections up to the burner valves (which MUST be closed in the "OFF" position).
- Open the LP Gas Cylinder valve, and watch for any bubbles to appear at all the connection points. No bubbles indicate - All Clear!
- If there are any bubbles, there is a leak which must be fixed.
- Never obstruct the flow of combustion and ventilation air.



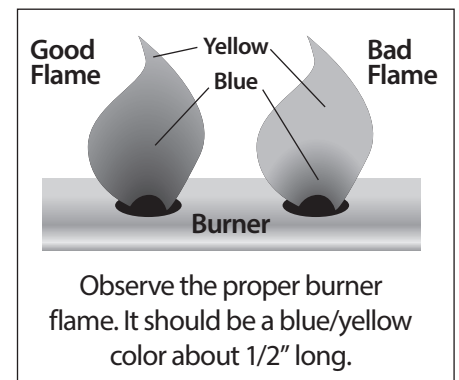
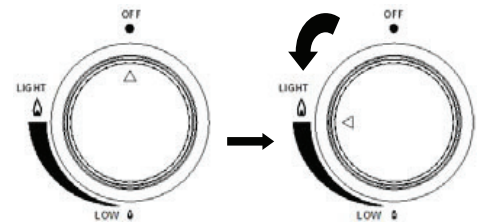
Lighting the grill

1. Read instructions before lighting.
2. Open Lid during lighting.
3. Make sure all control knobs are OFF.
4. Turn on gas supply.
5. **(2-Burner Models)** Push in and turn the left control knob counterclockwise to "LIGHT" position. This burner must be lit first before other burner can be lit.
(3-Burner Models) Push in and turn the middle control knob counterclockwise to "LIGHT" position. This burner must be lit first before other burners can be lit.
(4-Burner Models) Push in and turn either of the middle control knobs counterclockwise to "LIGHT" position. The two middle burners must be lit first before other burners can be lit.
6. Press the ignitor button rapidly several times until the burner is lit.
If the ignitor does not light the burner, you can light it with a match or a piece of burning paper. Hold the match or paper with the Match Holder (attached to the side of the grill), put it through opening in Cooking Grid and next to the Flame Tent covering the burner. Then follow the lighting procedure above.
7. For cooking with more burners, push in and turn the control knob counterclockwise until the burner is lit.

WARNING: If ignition does not occur in 5 seconds, immediately turn the burner controls OFF, wait 5 minutes and repeat the lighting process.

WARNING: Turn the gas supply off when not in use.

After using the grill, turn all burner knobs to the "LIGHT" position and then push fully in and turn to the "OFF" position. Turn OFF the valve on the LP Gas Cylinder.



Operating Instructions

CARE AND CLEANING

! WARNING !

- Do not do any cleaning or maintenance on any grill parts until all parts are cool! Be sure that the valve on the LP Gas Cylinder is closed and in the OFF position
- After every cooking session, you may run the gas grill on HIGH position to burn off any food residue, keeping the residue from building up.

CLEANING

- Use only mild dishwashing detergents, hot water, a nylon scrub pad and a BBQ wire brush cleaning tool.
- Always rinse all surfaces thoroughly after cleaning.
- Handle Porcelain coated surfaces gently and carefully- they are made from high temperature glass and can chip easily.
- **Note: Grease Drip Trays and Grease Cup should be emptied and cleaned after each use to prevent flare – ups and /or grease fires.**

BURNERS

1. Turn the gas OFF at the LP Gas Cylinder and the burner control knobs.
2. Lift off the cooking grids and the heat tents covering the burners.
3. Remove the screw attaching the burners at the back of the grill.
4. Gently and carefully, tilt the back of the Burner up and slide it backwards off the valve orifice, then lift out of the grill.
5. Wipe clean the orifice face.

TROUBLE SHOOTING THE GAS GRILL

BURNER DOES NOT LIGHT:

- Check if LP Gas Cylinder is empty?
- Check ignitor wire - is there a spark?
- Check for spider webs or insect nests inside, clogging the burner.

FLAME COLOR IS YELLOW, SHOULD BE BLUE:

- Check for spider webs or insect nests inside, clogging the burner.
- Close lid and run on HIGH to burn off residue on burner

FLAME FLARES UP:

- Cooking temperature is set too high
- Food being cooked is too fatty
- Grease has accumulated in the grill. clean and burn off

! IMPORTANT ! CURING PROCESS

Step 1: Lightly coat ALL INTERIOR surfaces (including interior of lids, cooking grids and area below the cooking surface) with vegetable oil or vegetable oil spray.

Step 2: Ignite the LP gas grill side and burn at medium temperature for one hour.

Step 3: Let the grill cool completely and it is ready for use.

Limited Warranty

This Smoke Hollow® grill is guaranteed against broken or damaged parts at time of purchase. All parts carry a 1-year limited warranty. Paint is guaranteed to be free of defects for 90 days except for rust, which may appear after repeated use.



This warranty does not cover damage or issues related to neglect, abuse, or modifications to the product. Repair labor is not covered.

All parts that meet the warranty requirements will be shipped at no-charge via the discretion of the Customer Service Department (ground shipments, US Mail, or Parcel Post Only). Any special handling charges (i.e. Second Day, Overnight, etc.) will be the responsibility of the consumer.

All warranty claims apply only to the original purchaser and require a proof of purchase verifying purchase date. Do not return parts to our address without first obtaining a return authorization number from our customer service.

This service is available by calling 866-475-5180, 8:30am to 4:30pm, Central Time, Monday through Friday, or write to Outdoor Leisure Products, Inc., 5400 Doniphan Drive, Neosho, MO 64850.

This warranty may give you specific legal rights that vary by state.

Outdoor Leisure Products, Inc
5400 Doniphan Drive
Neosho, MO 64850
www.olp-inc.com

© 2015 Outdoor Leisure Products, Inc. No part of this work may be reproduced, modified, distributed, or otherwise used without prior written permission. Smoke Hollow and Smoke-Tronix are trademarks of Outdoor Leisure Products, Inc. The Bluetooth® word mark and logos are registered trademarks owned by Bluetooth SIG, Inc. and any use of such marks by Outdoor Leisure Products, Inc. is under license. Apple, the Apple logo, iPhone, iPad, and iPod touch are trademarks of Apple Inc., registered in the U.S. and other countries. App Store is a service mark of Apple Inc. Google Play is a trademark of Google Inc.