



# Owner's Manual

## Charcoal Grill

Model SH17161



**THIS IS YOUR ASSEMBLY, CARE & USE MANUAL  
WITH IMPORTANT WARNING & SAFETY INFORMATION.  
PLEASE SAVE THESE INSTRUCTIONS.**

Approximate assembly time: 20 minutes  
Tools needed for assembly: Phillips head screwdriver

---

**FOR OUTDOOR USE ONLY**

## **⚠ CAUTION ⚠**

- Do not use gasoline, kerosene or alcohol for lighting. This grill is not intended to be used in or installed on recreational vehicles and/or boats.
- Do not attempt to move the grill while it is in use.
- Do not use the grill unless it is completely assembled and all parts are securely fastened.
- Keep all combustible items and surfaces at least 36 inches away from the sides and back of the grill at all times.
- Do not use this grill near unprotected combustible constructions.
- Do not use in an explosive atmosphere. Keep grill area clear and free from combustible materials, gasoline and other flammable vapors and liquids.
- Do not touch metal parts of the grill until it has completely cooled to avoid burns, unless you are wearing or using protective gear (gloves, BBQ mittens, pot holders, etc.).
- Do not alter this grill in any manner.
- Do not leave hot ashes unattended.

## **⚠ WARNING ⚠**

- This grill is for outside use only and should not be used in a building, garage or any other enclosed area.
- The use of alcohol, prescription or non-prescription drugs may impair the operator's ability to properly assemble or safely operate the grill.
- Always open grill lid slowly and carefully as heat and steam trapped within the grill can burn you severely.
- Always place the grill on a hard, level surface far away from combustibles. A carpeted or wooden deck surface may not be acceptable for this purpose.
- Do not leave grill unattended during use or until ashes have cooled. Keep children and pets away from the grill at all times.
- Do not place this grill on any type of tabletop surface.
- Do not use this grill in high winds.
- Dispose of cold ashes by wrapping them in heavy-duty aluminum foil and placing them in a non-combustible container. Make sure that there are not other combustible materials in or near the container.
- If you must dispose of ashes before they are completely cool, remove the ashes from the unit, place them in heavy-duty aluminum foil and soak them completely in water before disposing them in a non-combustible container.
- Allow the unit to completely cool before performing any cleaning or maintenance.
- When opening the hood, keep hands, face and body a safe distance away from the hot steam and possible flame flare-ups.
- Close the hood, chimney and damper to suffocate the flame.
- Minimum clearance from sides and back of unit to combustible construction is 36 inches.

## **FOR OUTDOOR USE ONLY**

Burning charcoal gives off carbon monoxide which has no odor, therefore, burning charcoal in an enclosed environment can cause death or serious injury. Never burn charcoal inside homes, vehicles or tents.

## **CALIFORNIA PROPOSITION 65**

1. Combustion by-products produced when using this product contain chemicals known to the State of California to cause cancer, birth defects, and other reproductive harm. 2. This product contains chemicals, including lead and lead compounds, known to the State of California to cause cancer, birth defects or other reproductive harm. Wash your hands after handling this product.

If these warnings are not followed exactly, a fire causing death or serious injury may occur.



# ***Congratulations***

on your purchase of your new  
Smoke Hollow® Charcoal Grill.

With proper set-up, operation and maintenance, this appliance will provide you with years of delicious food and cooking enjoyment.

## **IMPORTANT**

**When you un-pack your grill, remove all parts and packaging material from the box and inside the grill. Make sure you have all the items on the parts list. Carefully check the unit and make sure there is no damage.**

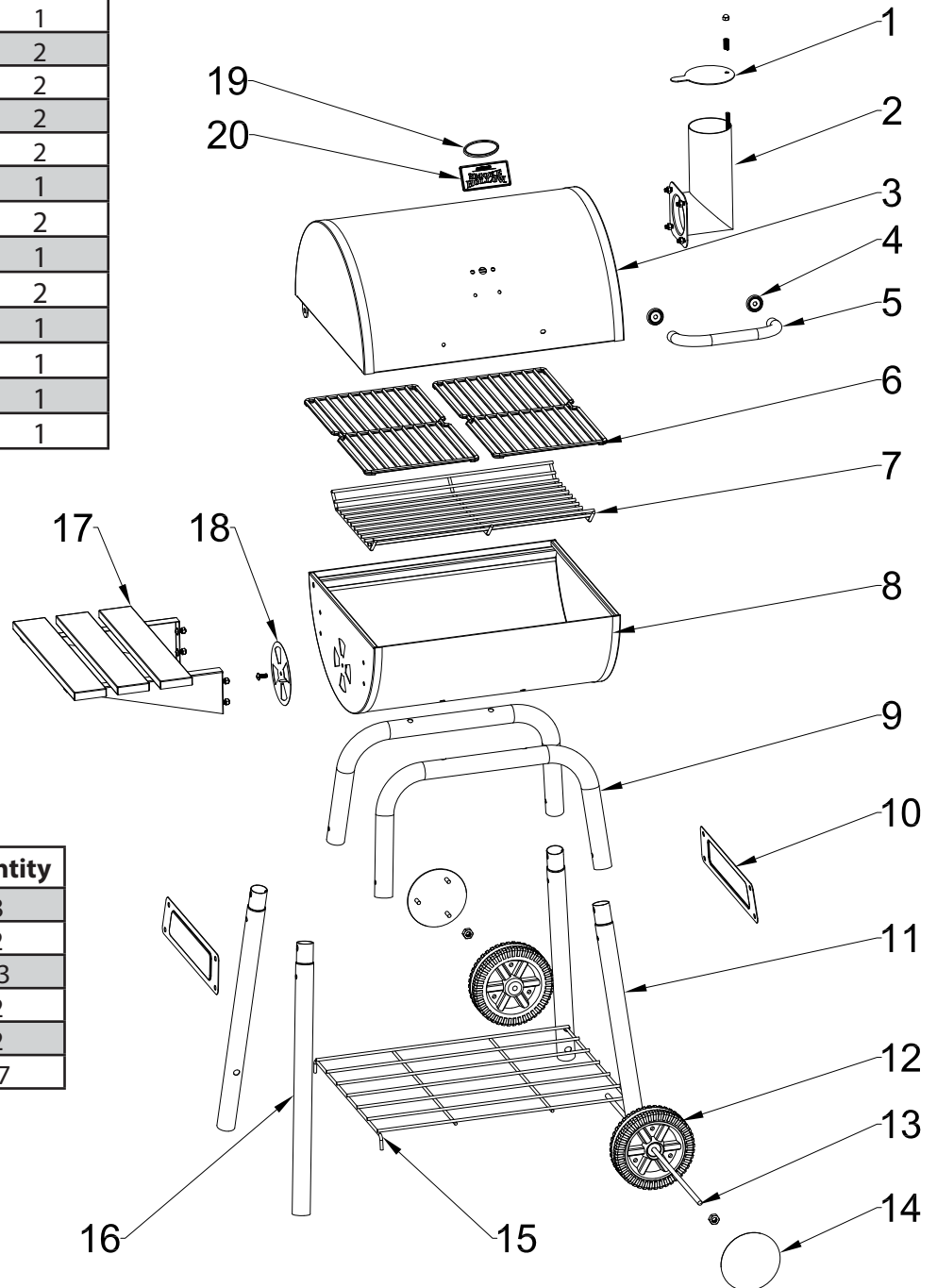
**IF YOU HAVE ANY PROBLEMS WITH THIS PRODUCT OR THERE ARE MISSING OR DAMAGED PARTS , PLEASE CALL CUSTOMER SERVICE TOLL FREE 1-866-475-5180 (Monday–Friday, 8:30 am–4:30 pm, CST).**

**NOTE : DO NOT RETURN UNIT TO THE STORE BEFORE CALLING THE TOLL FREE NUMBER. Do not dispose of your cartons until you are completely satisfied with your new Smoke Hollow grill.**

# Parts and Tool List

Key	Description	Quantity
1	Smoke Stack Damper	1
2	Smoke Stack	1
3	Lid	1
4	Lid Handle Standoffs	2
5	Lid Handle	1
6	Cooking Grids	2
7	Charcoal Rack	1
8	Firebox	1
9	U-Legs	2
10	Leg Braces	2
11	Short Legs	2
12	Wheels	2
13	Wheel Axle	1
14	Wheel Cover	2
15	Wire Rack	1
16	Long Legs	2
17	Side Table	1
18	Air Vent	1
19	Heat Indicator	1
20	Nameplate	1

## Exploded view Model **SH17161**

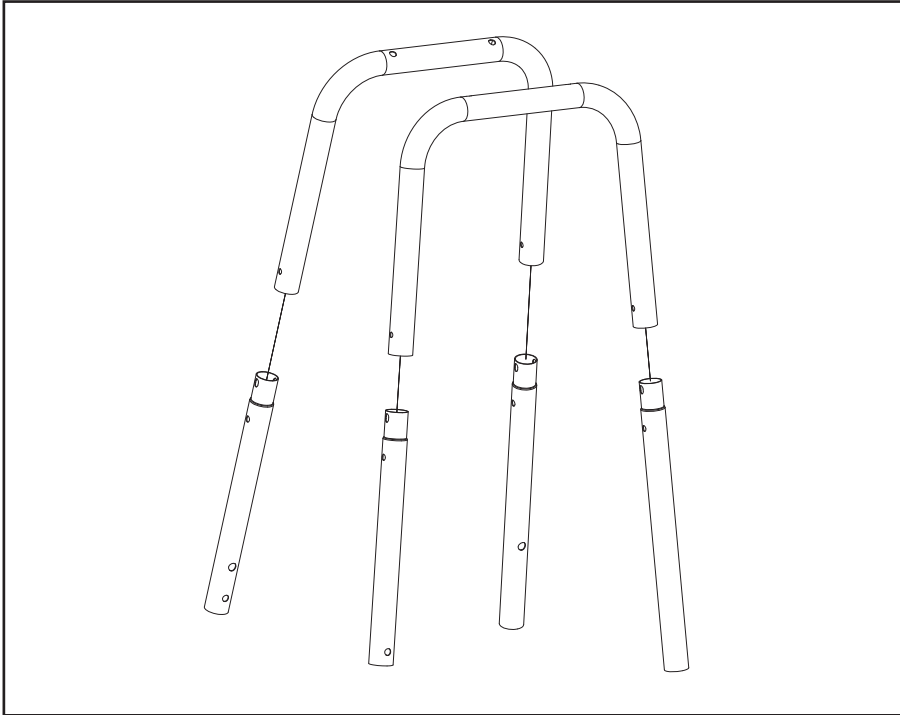


### Parts Bag Contents

Key	Description	Quantity
A	M6x45 Bolt	8
B	M6x20 Bolt	2
C	M6x12 Bolt	13
D	M5x15 Bolt	2
E	M8 Locking Nut	2
F	M6 Nut	17

# Grill Assembly

## Step 1



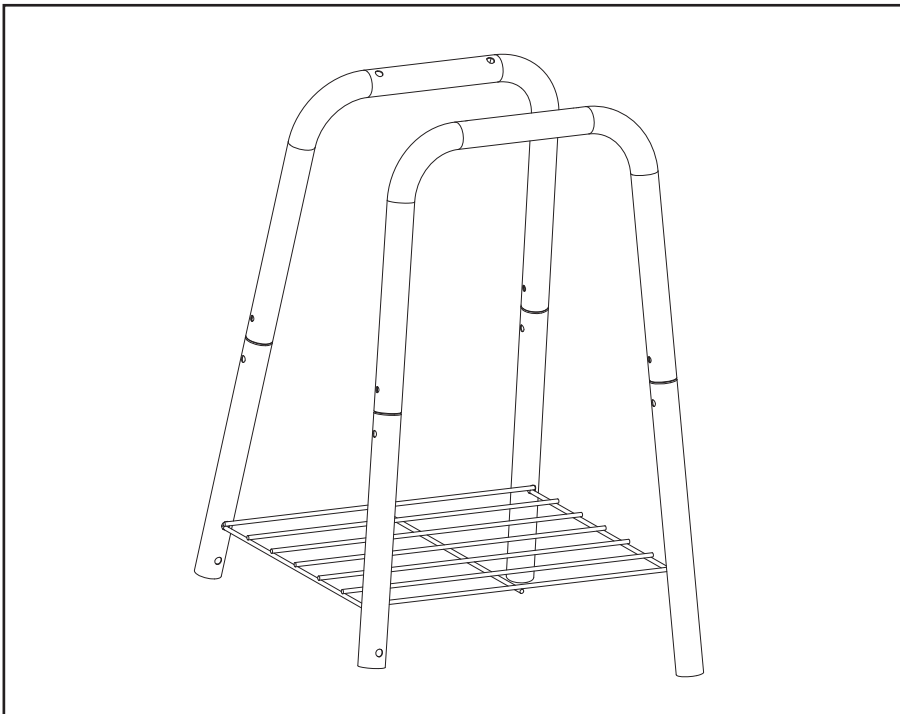
### Locate:

- (2) U-Legs
- (2) Short Legs
- (2) Long Legs

### Instructions:

Connect the (2) Short and (2) Long Legs to the (2) U-Legs as shown here. Do not add any bolts at this time.

## Step 2



### Locate:

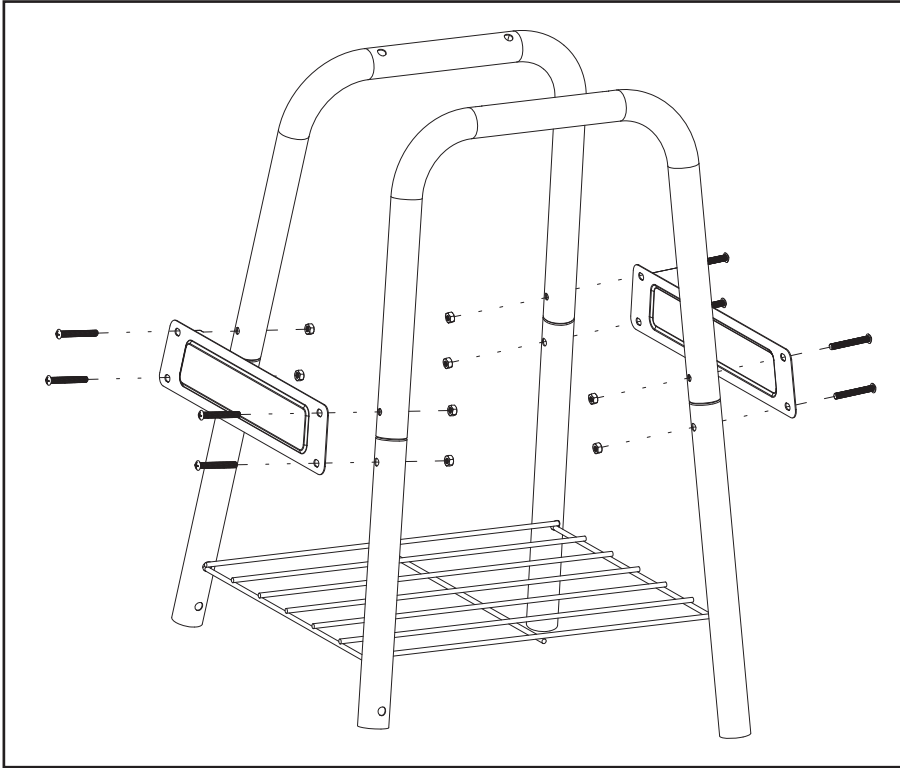
- Wire Rack

### Instructions:

To attach the Wire Rack, you will need to start with the legs laying flat so that the Wire Rack corner hooks will go into the proper leg holes (reference image for hole locations). When you raise the legs up, the Wire Rack will be hooked into the legs and should appear as shown here.

# Grill Assembly

## Step 3



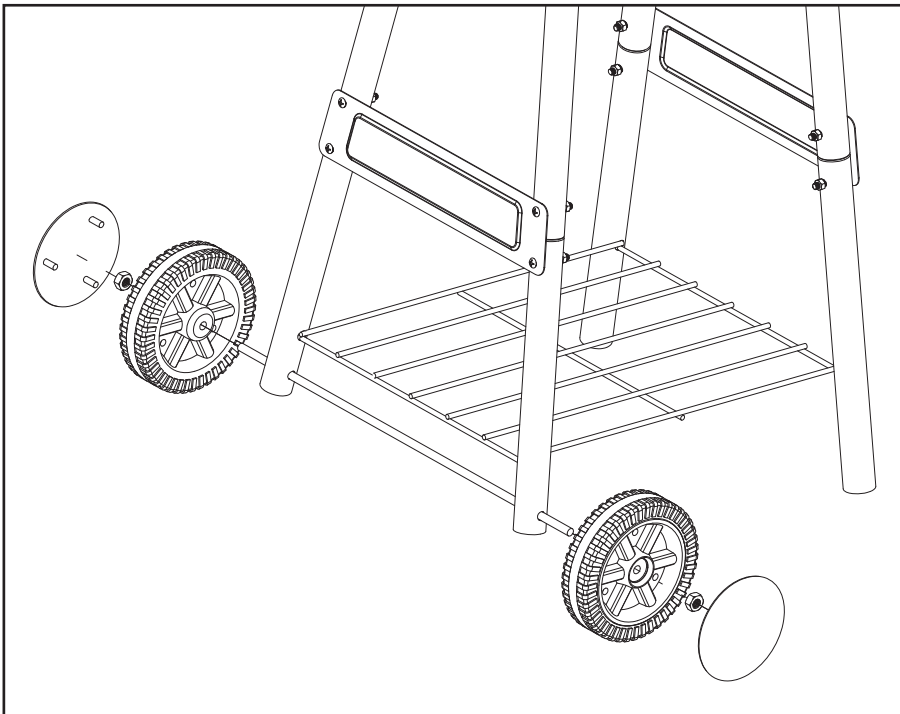
### Locate:

- (2) Leg Braces
- (8) M6x45 Bolts
- (8) M6 Nuts

### Instructions:

Secure Leg Assembly with (2) Leg Braces as shown using (4) M6x45 Bolts and M6 Nuts for each Leg Brace.

## Step 4



### Locate:

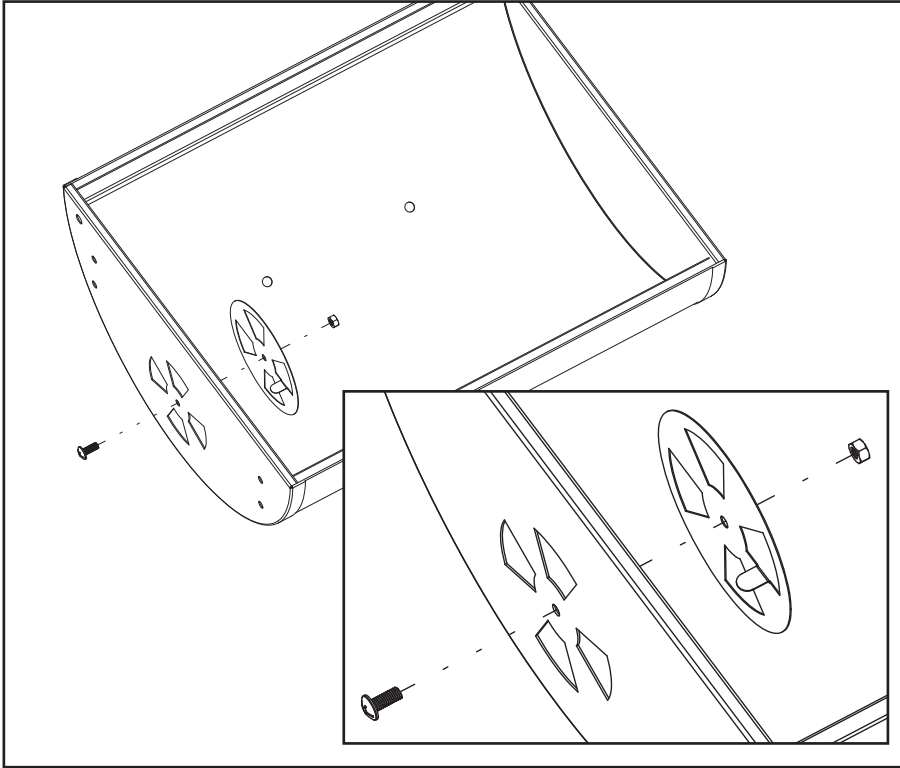
- Wheel Axle
- (2) Wheels
- (2) Wheel Covers
- (2) M8 Locking Nuts

### Instructions:

Slide the Wheel Axle through the holes located at the bottom of the Short Legs and place Wheels over each end and secure with M8 Locking Nuts as shown here. Snap Wheel Covers onto each Wheel.

# Grill Assembly

## Step 5



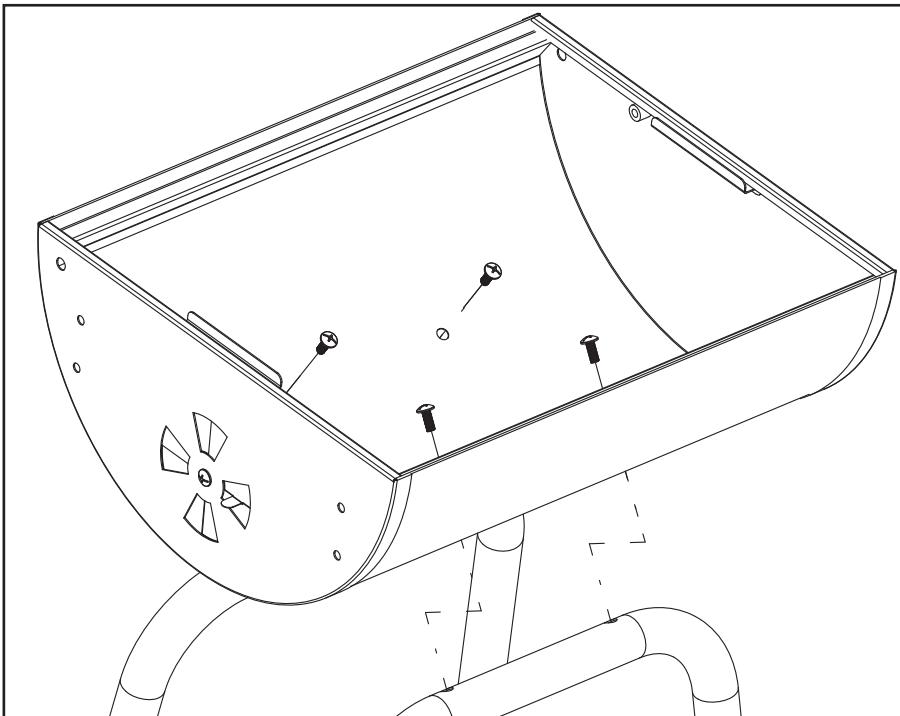
### Locate:

- Firebox
- Air Vent
- (1) M6x12 Bolt
- (1) M6 Nut

### Instructions:

Attach Air Vent to Firebox as shown with an M6x12 Bolt and M6 Nut. Make sure Air Vent handle passes through the opening in the Firebox.

## Step 6



### Locate:

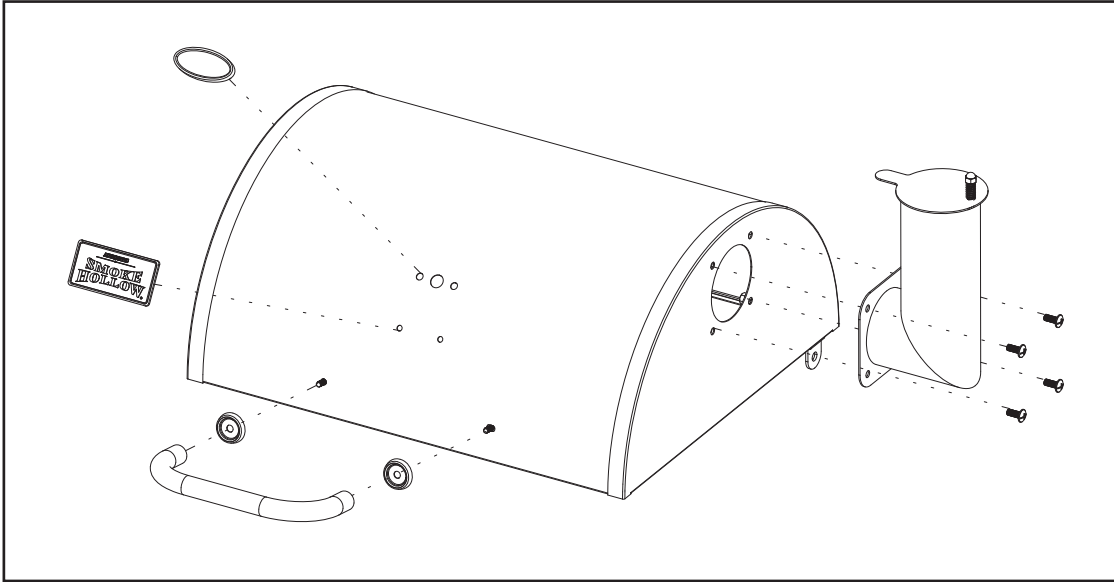
- (4) M6x12 Bolts

### Instructions:

Attach the Firebox to the Leg Assembly using (4) M6x12 Bolts as shown here.

# Grill Assembly

## Step 7



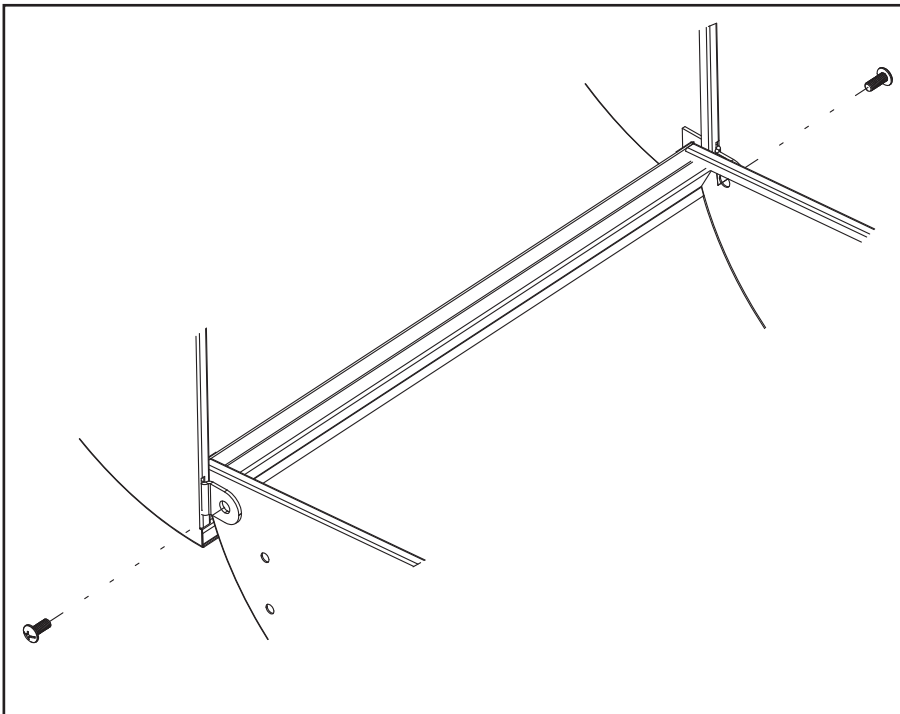
### Locate:

- Lid
- Smoke Stack
- Heat Indicator
- Nameplate
- Lid Handle
- Lid Handle Standoffs
- (4) M6x12 Bolts
- (4) M6 Nuts
- (2) M5x15 Bolts

### Instructions:

Attach Smoke Stack to Lid in location shown using (4) M6x12 Bolts with (4) M6 Nuts. Attach Lid Handle and Lid Handle Standoffs to Lid as shown with (2) M5x15 Bolts. Attach Nameplate and Heat Indicator to Lid as shown by removing the nuts from both and inserting them into the Lid in the locations shown here and reattaching the nuts from inside the lid.

## Step 8



### Locate:

- Lid
- Firebox
- (2) M6x20 Bolts

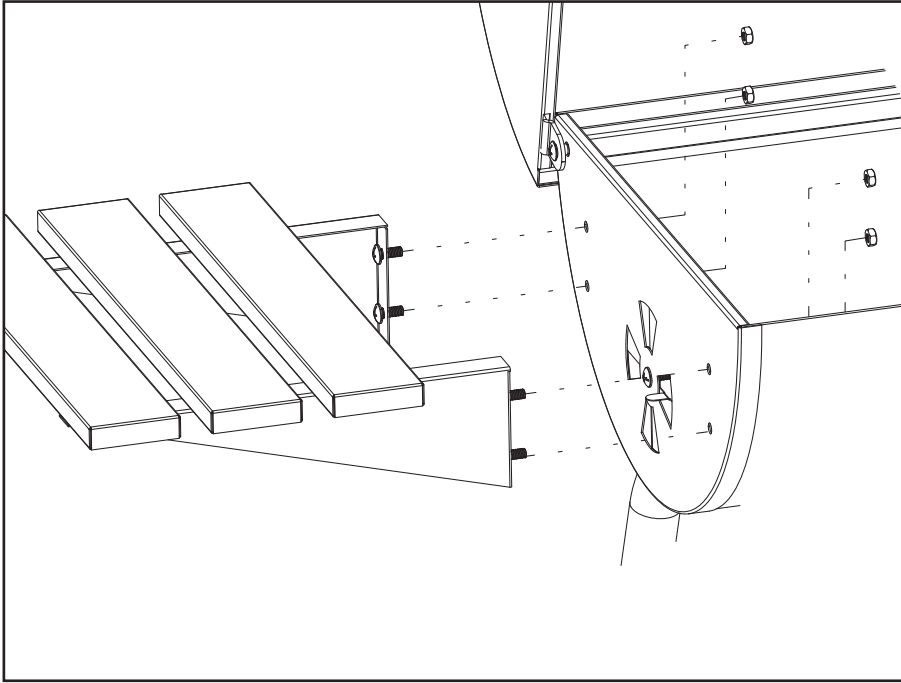
### Instructions:

Attach Lid to the Firebox using (2) M6x20 Bolts as shown here.



# Grill Assembly

## Step 9



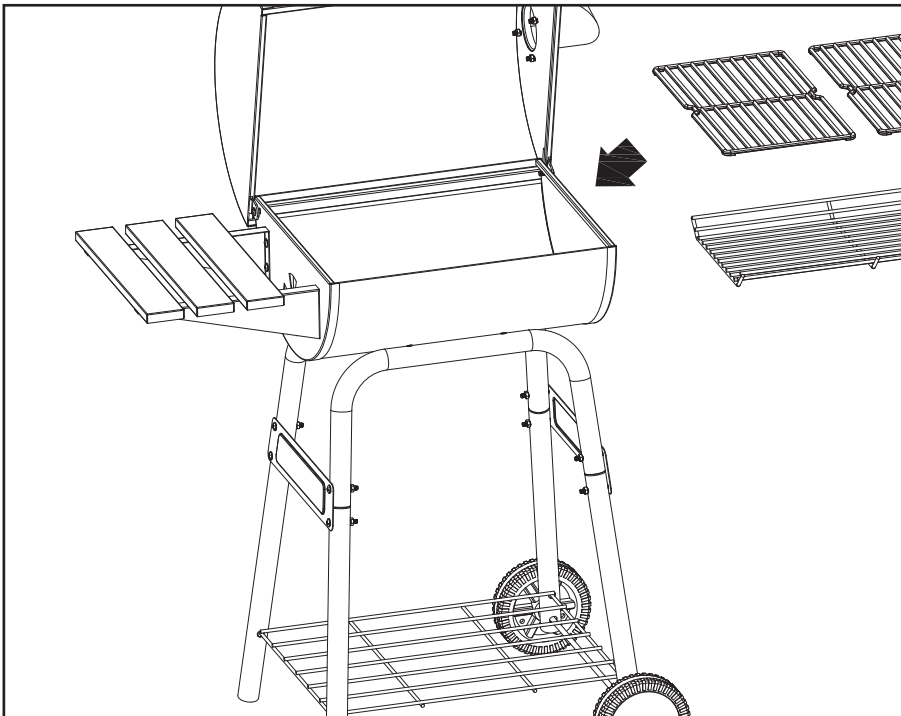
### Locate:

- Side Table
- (4) M6x12 Bolts
- (4) M6 Nuts

### Instructions:

Attach Side Table to Firebox with (4) M6x12 Bolts and (4) M6 Nuts as shown here.

## Step 10



### Locate:

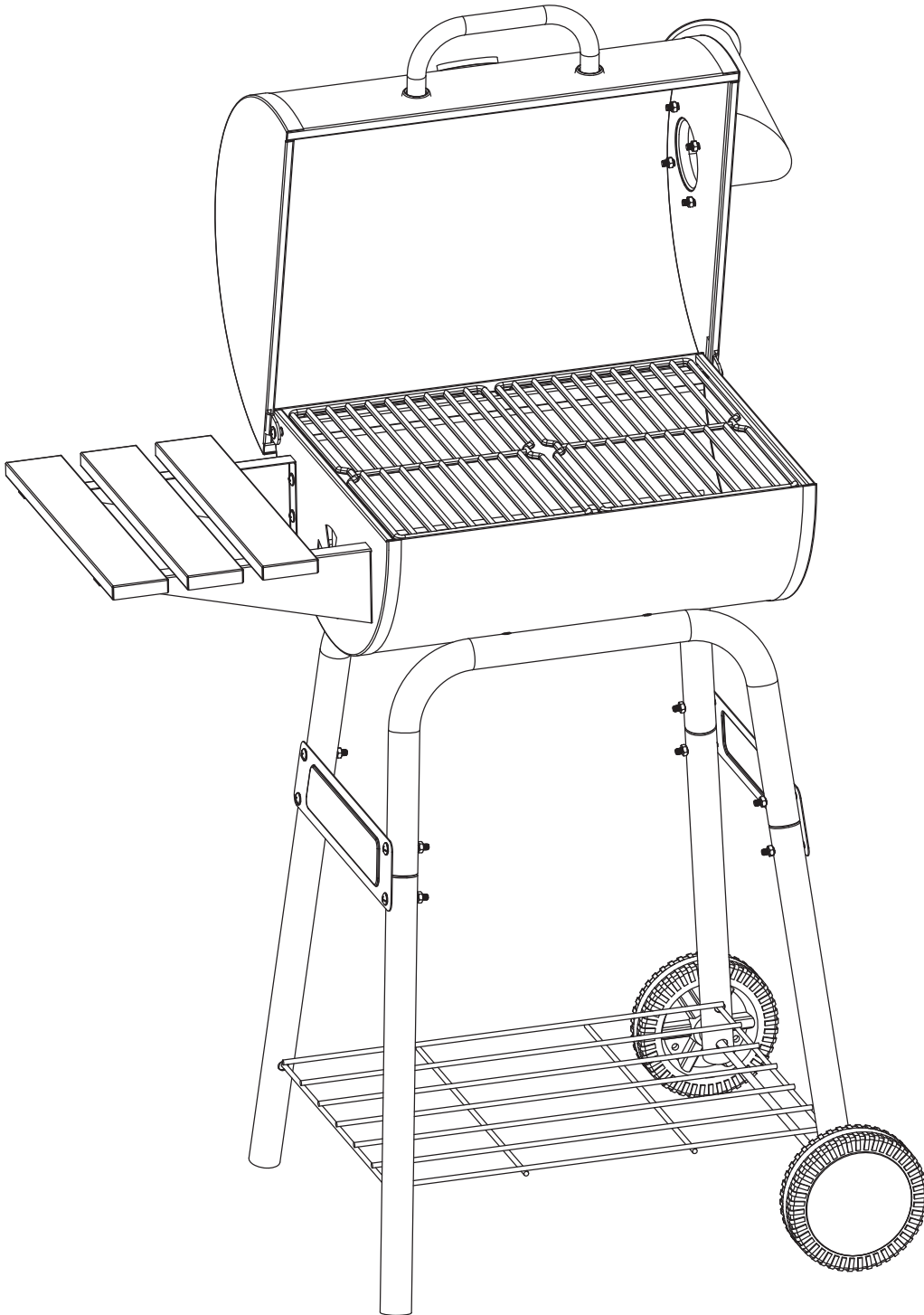
- (2) Cooking Grids
- Charcoal Rack

### Instructions:

Place Charcoal Rack into the bottom of the Firebox. Then place the (2) Cooking Grids into the Firebox.

# Grill Assembly

---



**ASSEMBLY OF YOUR GRILL IS NOW COMPLETE.  
FOR YOUR SAFETY, FOLLOW ALL SAFE GUARDS  
AND INSTRUCTIONS.**

# Operating Instructions

---

## SEASONING YOUR NEW GRILL:

Before using your grill, you should season the unit to enhance the cooking and to provide better overall durability. Failure to properly follow these steps may damage the finish and/or add metallic flavors to your foods.

1. Before cooking, coat the interior surfaces and cooking grid with vegetable oil.
2. Place about 20 briquettes on the charcoal rack.
3. Light the briquettes and let the fire burn for about two hours with the lid closed and with the chimney and damper fully opened.
4. Allow the grill to cool down properly. Once the unit is completely cool it is ready for use.

## CLEANING ASH FROM THE GRILL:

**WARNING:** DO NOT ATTEMPT TO EMPTY THE ASH PAN OF BURNING CHARCOAL PIECES OR HOT ASH.

After the ashes and grill have completely cooled, it is imperative that you clean out the ashes from inside the grill before moisture can combine with the ash. Ash and moisture can create lye, which is very acidic and can cause rusting.

## CLEANING THE COOKING GRIDS:

Just after cooking, brush the cooking grids with a brass bristle grill brush (while the coals are still hot). After the brushing, allow the grill and cooking grids to completely cool before attempting to clean any farther. Once the cooking grids have completely cooled, it should be thoroughly cleaned and coated with vegetable oil.

# Limited Warranty

---

This Smoke Hollow® grill is guaranteed against broken or damaged parts at time of purchase. All parts carry a 1-year limited warranty. Paint is guaranteed to be free of defects for 90 days except for rust, which may appear after repeated use.



This warranty does not cover damage or issues related to neglect, abuse, or modifications to the product. Repair labor is not covered.

All parts that meet the warranty requirements will be shipped at no-charge via the discretion of the Customer Service Department (ground shipments, US Mail, or Parcel Post Only). Any special handling charges (i.e. Second Day, Overnight, etc.) will be the responsibility of the consumer.

All warranty claims apply only to the original purchaser and require a proof of purchase verifying purchase date. Do not return parts to our address without first obtaining a return authorization number from our customer service.

This service is available by calling 866-475-5180, 8:30am to 4:30pm, Central Time, Monday through Friday, or write to Outdoor Leisure Products, Inc., 5400 Doniphan Drive, Neosho, MO 64850.

This warranty may give you specific legal rights that vary by state.

---

**Outdoor Leisure Products, Inc**  
5400 Doniphan Drive  
Neosho, MO 64850  
[www.olp-inc.com](http://www.olp-inc.com)