



**OutdoorLeisureProducts**

# Deluxe Outdoor Tabletop Gas Grill

Model TT250

## Assembly & Operation Manual

**!** **DANGER** **!**

1. Never operate this appliance unattended.
2. Never operate this appliance within 10 ft (3.0 m) of any structure, combustible material or other gas cylinder.
3. Never operate this appliance within 25 ft (7.5 m) of any flammable liquid.
4. Heated liquids remain at scalding temperatures long after the cooking process. Never touch cooking appliance until liquids have cooled to 115° F (45°C) or less.
5. If a fire should occur, keep away from the appliance and immediately call your fire department. Do not attempt to extinguish an oil or grease fire with water.

Failure to follow these instructions could result in fire or explosion which could cause property damage, personal injury or death.



**Tools needed for assembly:  
Phillips screwdriver and Pliers.**

**!** **DANGER** **!**

If you smell gas:



1. Shut off gas to the appliance.
2. Extinguish any open flames.
3. Open lid.
4. If odor continues, keep away from the appliance and immediately call your fire department.

Failure to follow these instructions could result in fire or explosion which could cause property damage, personal injury or death.





**Intertek**

Conforms to ANSI STD Z21.89-2013  
Outdoor Cooking Specialty Gas Appliances



 **WARNING** 

For Outdoor Use Only  
(outside of any type of enclosure)



 **WARNING** 

If you smell gas –

- Turn off the gas supply to the appliance
- Extinguish any and all open flames
- Open the Lid of the Grill
- If the odor remains, stay away from the grill and notify your gas supplier and/or the Fire Department.



 **WARNING** 

- Do not use or store gasoline, kerosene, alcohol, or other flammable liquids or vapors in the vicinity of this appliance or any other appliance.
- Any LP Gas Cylinder NOT connected for use with the appliance, shall not be stored in the same vicinity of this or any other appliance.
- A LP Propane Gas Cylinder is needed for operating the gas side of this grill.
- The LP Gas Cylinder is NOT included.
- This gas grill is only intended for Domestic use, not to be used for any commercial purpose.



 **DANGER** 

- Never use the gas or charcoal grill for INDOOR cooking or heating
- Never use the grill on or in a boat or recreational vehicle

The combustion fumes from either the gas or charcoal grill are toxic and can cause severe illness and possibly death.



 **WARNING** 

The combustion of Propane gas can yield the formation of chemical compounds known in the state of California, U.S.A., to cause birth defects, cancer, and other serious health matters.



 **WARNING** 

Read this installation manual before assembling or servicing this appliance.

Failure to follow these instructions may result in an faulty installation, which could cause damage to property, damage personal injury or death.

 **IMPORTANT** 

Save these instructions after reading them in case you need to refer to them in the future.

 **WARNING** 

**CALIFORNIA PROPOSITION 65**  
Combustion by-products produced when using this product contain chemicals known to the State of California to cause cancer, birth defects, and other reproductive harm.



Read all safeguards and assembly instructions before assembling and operating your grill.

Before assembling your new grill, unpack all the parts from the box. Carefully remove all packing material and lay out all the parts for easy access and identification. Do not discard the carton or packaging until your grill is fully assembled and operating to your satisfaction.

In order to properly assemble your grill, you will need a Phillips screwdriver and Pliers.

Outdoor Leisure Products, Inc.  
5400 Doniphan Drive  
Neosho, MO 64850  
Toll Free: 866-475-5180  
Website: [www.olp-inc.com](http://www.olp-inc.com)



8:30am to 4:30pm, Central Time  
Monday through Friday

## **SAFETY WARNINGS**

1. The installation of this grill must conform to local codes, or in the absence of local codes, with either the *National Fuel Gas Code, ANSI Z223.1 / NFPA 54, Natural Gas and Propane Installation Code, CSA B149.1, or Propane Storage and Handling Code, B 149.2, or The Standard for recreational Vehicles, ANSI 119.2 / NFPA, and CSA Z240 RV Series, Recreational Vehicle Code, as Acceptable.*
2. The Gas Grill side of the grill is for use with LP (Propane) Gas ONLY! Propane Gas Cylinder is NOT included with the Grill.
3. Never use lighter fluid, gasoline, kerosene, or alcohol for lighting the gas grill.
4. The propane Gas supply Cylinder used must be constructed and marked in accordance with the *Specifications of the U.S. Department of Transportation (D.O.T.) or The Standard for Cylinders, Spheres and Tubes for Transportation of Dangerous Goods; and Commission, CAN/CSA-B339, as applicable.* It MUST be provided with a Listed Overfilling Device. Only use 20 pound cylinders that have a type 1 cylinder connection device compatible with the Connection for Outdoor Cooking Appliances.
5. Propane Gas Cylinders must be stored outdoors, out of the reach of children, and must not be stored in a building, garage or any other enclosed area.
6. The Pressure regulator supplied with the Grill, must be used. Any replacement regulator must be those specified by the outdoor cooking gas appliance manufacturer.
7. This outdoor cooking gas appliance must only be used outdoors, and must not be used in a building, garage or any enclosed area.
8. The following distances for proper clearance must be maintained :
  - Minimum distance from back and sides of the outdoor cooking gas appliance to walls is 36" ( 1 meter )
  - Do not use under any overhead combustible constructions
  - For outdoor use only
  - Remove Propane Gas Cylinder from grill if storing grill indoors
9. This outdoor cooking gas appliance is not intended to be installed in or on boats.
10. Do not try to move the grill while gas chamber is lit.
11. Wait one hour minimum before touching any metal parts, until they are cool.
12. NEVER leave the grill unattended when in use.
13. Keep children and pets away from the grill when in use.
14. Note: Grease Drip Trays and Grease Cup should be emptied and cleaned after each use to prevent flare – ups and /or grease fires.

**IF THESE INSTRUCTIONS ARE NOT FOLLOWED EXACTLY, A FIRE CAUSING  
DEATH OR SERIOUS INJURIES MAY OCCUR!**

**READ ALL SAFEGUARDS AND INSTRUCTIONS THOROUGHLY!**  
**YOUR SAFETY IS VERY IMPORTANT – FAILURE TO FOLLOW PROPER PROCEDURES AND SAFEGUARDS MAY RESULT IN PROPERTY DAMAGE, PERSONAL INJURY OR DEATH.**

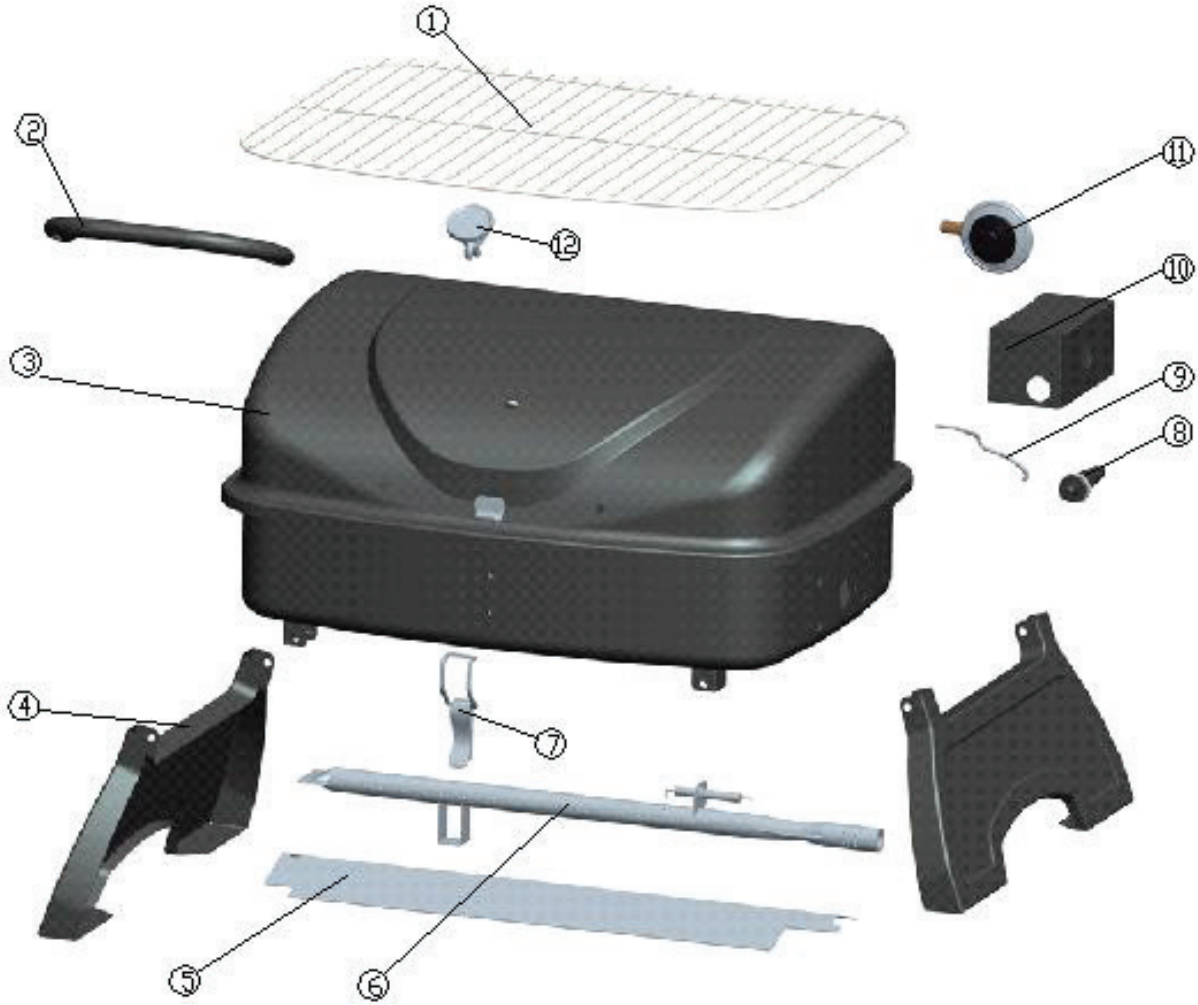
 <b>DANGER</b>	<b>DANGER</b> 
<ul style="list-style-type: none"> <li>• The GRILL is for outdoor use only!</li> <li>• Do NOT use this grill for other than its intended purpose.</li> <li>• Do not leave grill unattended when in use.</li> <li>• Never operate this grill under any overhead roof covering, awning or overhang. Never use inside an enclosed area such as screen patios, garages, buildings or tents.</li> <li>• Keep the area clear of all flammable liquids, combustible material including but not limited to wood, dry plants including grass, brush, paper, and canvas.</li> <li>• Grill is HOT while in use and after use – Avoid touching hot surfaces. Always wear protective gloves or mitts when operating the smoker.</li> <li>• Keep children and pets away from the grill at all times.</li> <li>• Do not allow anyone to conduct activities around the grill during or following its use until the unit has cooled. The grill is hot during operation and remains hot for a period of time following its use.</li> <li>• Always wear shoes and protective clothing during operation of this smoker.</li> <li>• Never use glassware, plastic, or ceramic cookware in this grill.</li> <li>• The cooking chamber lid will be extremely hot.</li> <li>• Do not use water to extinguish grease fires.</li> </ul>	<ul style="list-style-type: none"> <li>• Do not move the unit while it is being used.</li> <li>• Do not use in windy conditions.</li> <li>• Use caution when opening the lid, as hot steam or a flame flare-up could cause burns.</li> <li>• Before each use, make sure the unit is in good working condition.</li> <li>• Use caution after the fire has been extinguished, the surface will remain hot for some time.</li> <li>• Store the grill out of reach of children and in a dry location when not in use.</li> <li>• Check grease level in grease pan often and empty. Use extreme caution as the grill, and metal grease pan will be hot.</li> <li>• When opening the lids, keep hands, face and body a safe distance from hot steam and flame flare-ups.</li> <li>• Use caution when lifting or moving grill to prevent strains and back injuries.</li> <li>• Properly dispose of all packaging material.</li> </ul>

USE CAUTION AND COMMON SENSE WHEN OPERATING YOUR GRILL. READ ALL INSTRUCTIONS, WARNINGS AND SAFEGUARDS PRIOR TO ASSEMBLING AND OPERATING YOUR GRILL.

**SAVE THESE INSTRUCTIONS**

# TT250 Parts List

**Note:** For assistance, including missing or damaged parts, call toll free - 866-475-5180 from 8:30 am - 4:30 pm Central Time, Monday - Friday



## Hardware Pack

Quantity	Description
3	M4x10 Bolts
2	M4 Nuts
2	M5x10 Bolts
4	M6x15 Bolts
4	M6x35 Combo Truss Head Bolts
4	M6 Nuts

# TT250 Parts List

Item NO.	Quantity	Description	Part NO.
1	1	Cooking Grid	TT250-01
2	1	Grill Lid Handle	TT250-02
3	1	Grill Lid and Firebox Assembly	TT250-03
4	2	Support Legs	TT250-04
5	1	Burner Heat Tent	TT250-05
6	1	Burner	TT250-06
7	1	Latch	TT250-07
8	1	Igniter	TT250-08
9	1	Igniter Wire	TT250-09
10	1	Control Panel	TT250-10
11	1	Regulator	TT250-11
12	1	Heat Indicator	TT250-12

# Assembly

**Note:** Carefully cut the tape holding the carton together. Cut the carton so that it can lay flat on the ground to provide a clean surface for assembling your Grill. Remove the packing materials and all the parts from inside the carton box. After unpacking all the parts, check to make sure you HAVE all the parts. If anything is damaged or missing, contact our toll free number: 866-475-5180. Discard all packing material in a safe and recyclable manner. Save this Assembly Manual for future reference.

Tools Required: Phillips Head Screwdriver

## Step 1

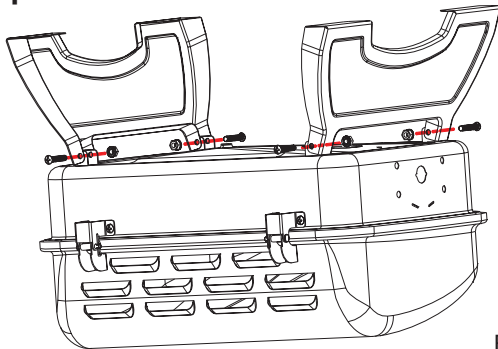


Fig. 1

### **Step 1: Attach the Support Legs**

*Locate:* Grill Lid and Firebox Assembly, (2) Support Legs, (4) M6x35 bolts and (4) M6 nuts

*Procedure:* Attach (2) Support Legs to the Firebox Assembly using (4) M6x35 bolts and (4) M6 nuts as shown in Fig. 1.

## Step 2

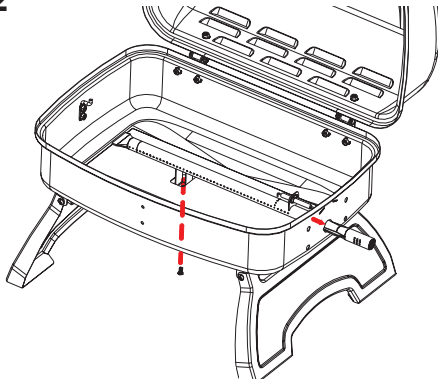


Fig. 2

### **Step 2: Attach the Burner**

*Locate:* Burner, (1) M4x10 bolt

*Procedure:* Insert the Burner through the opening on the right side of firebox, then attach to the bottom of the firebox using (1) M4x10 bolt as shown in Fig. 2.

## Step 3

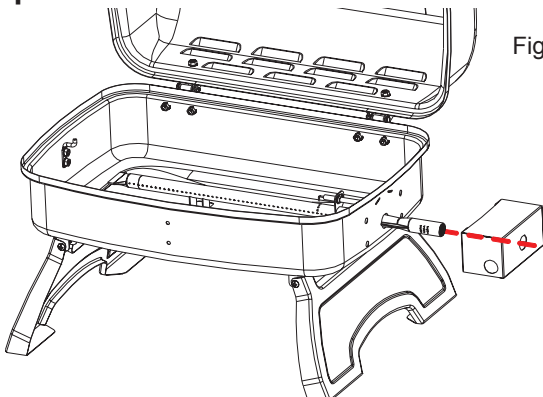


Fig. 3A

### **Step 3: Attach the Control Panel**

*Locate:* Control Panel, (4) M6x15 bolts

*Procedure:* Insert the Burner through the hole on the Control Panel as shown in Fig. 3A.



# Assembly

## Step 3

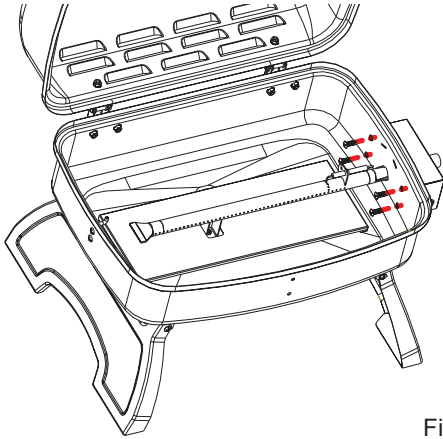


Fig. 3B

## **Step 3: Attach the Control Panel (Continued)**

*Procedure:* Attach the Control Panel to the firebox using (4) M6x15 bolts as shown in Fig 3B.

## Step 4

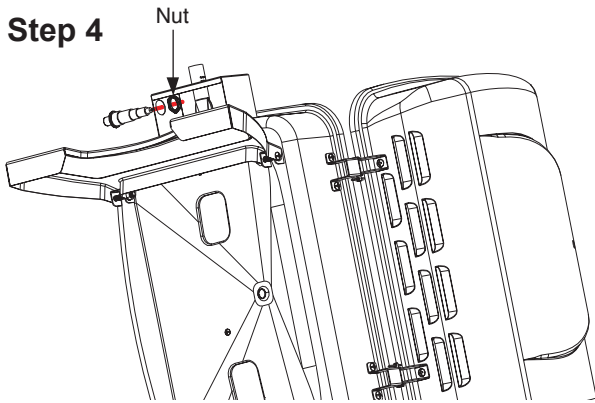


Fig. 4

## **Step 4: Assemble the Igniter**

*Locate:* Igniter

*Procedure:* Remove the nut from the igniter. Install the igniter into the hole on the front of the Control Panel. Secure the igniter to the Control Panel with the nut as shown in Fig. 4.

## Step 5

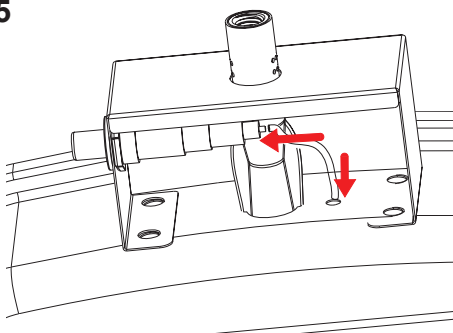


Fig. 5A

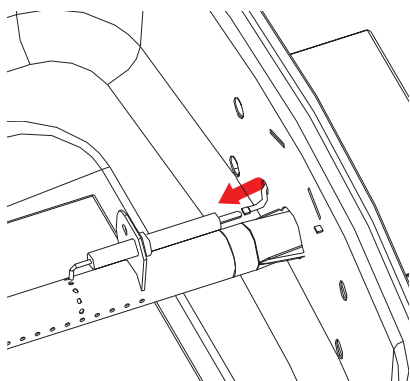


Fig. 5B

## **Step 5: Assemble the Igniter Wire**

*Locate:* Igniter Wire

*Procedure:* Insert the round end of Igniter Wire onto the Igniter as shown in Fig 5A. Push the other end of the Igniter wire into the opening on the firebox, then attach onto the pin end of the electrode as shown in Fig. 5B.

# Assembly

## Step 6

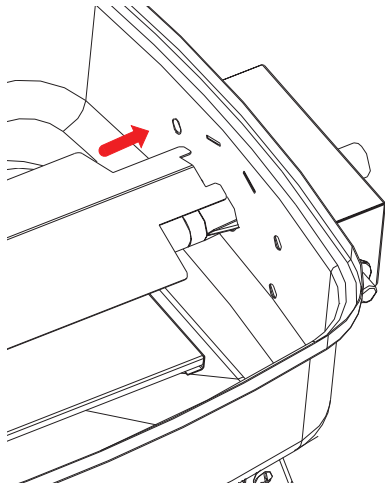


Fig. 6A

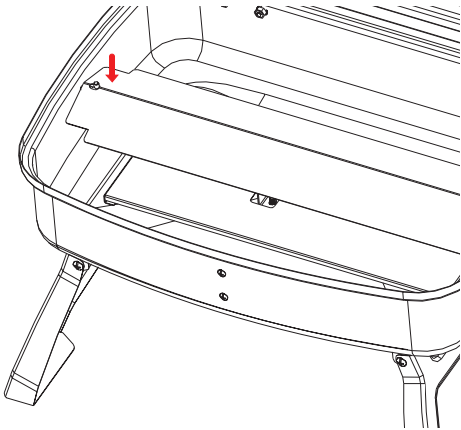


Fig. 6B

## **Step 6: Assemble the Burner Heat Tent**

*Locate:* Burner Heat Tent

*Procedure:* Install the Heat Tent by inserting the tabs on the right side through the slots on the side of the firebox as shown in Fig. 6A.

Then insert the other end with one hole into the post as shown in Fig. 6B.

## Step 7

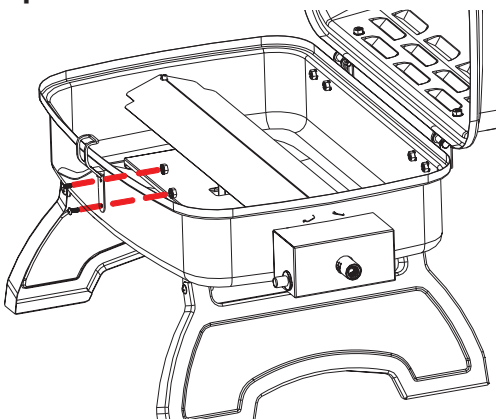


Fig. 7

## **Step 7: Attach the Latch**

*Locate:* Latch, (2) M4x10 bolts, (2) M4 nuts

*Procedure:* Attach the Latch to the firebox using (2) M4x10 bolts and (2) M4 nuts as shown in Fig. 7.

# Assembly

## Step 8

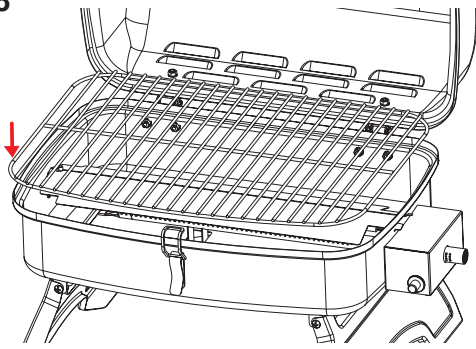


Fig. 8

## Step 8: Place the Cooking Grid

*Locate:* Cooking Grid

*Procedure:* Place the Cooking Grid into the firebox as shown in Fig. 8.

## Step 9

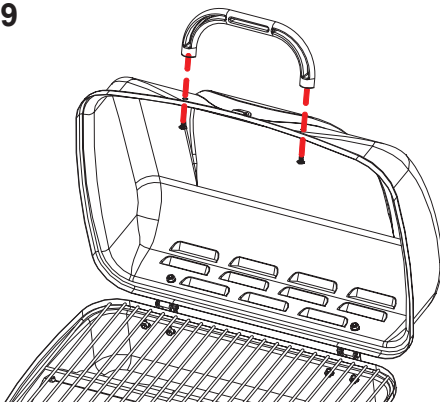


Fig. 9

## Step 9: Attach the Grill Lid Handle

*Locate:* Grill Lid Handle, (2) M5x10 bolts

*Procedure:* Attach the Grill Lid Handle to the Lid using (2) M5x10 bolts as shown in Fig. 9.

## Step 10

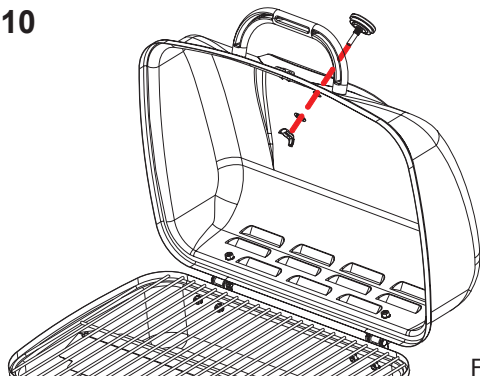


Fig. 10

## Step 10: Attach the Heat Indicator

*Locate:* Heat Indicator

*Procedure:* Place the Heat Indicator into the hole on the lid and fasten in place with the washer and wing nut as shown in Fig. 10.

## Step 11

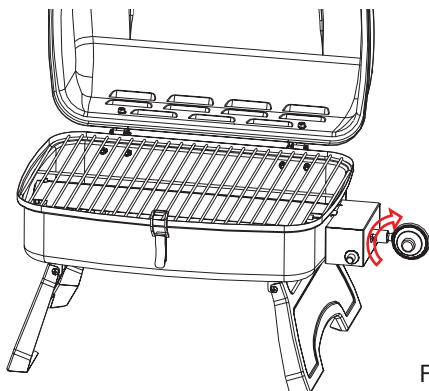


Fig. 11

## Step 11: Install the Regulator

*Locate:* Regulator

*Procedure:* Screw clockwise the Regulator onto the Burner as shown in Fig. 11.

## Completed Grill



Assembly of your grill is now complete.

**FOR YOUR SAFETY, FOLLOW ALL SAFEGUARDS AND INSTRUCTIONS**

## OPERATING INSTRUCTIONS

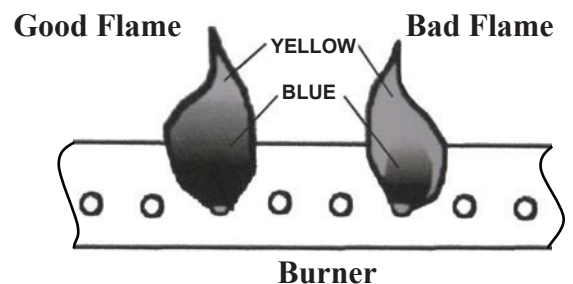
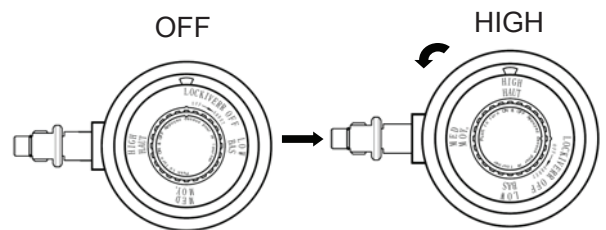
### Connecting the Propane Gas Cylinder to the TT grill

- Design for use with 16.4 oz. (1lb) propane cylinder. Just twist in the propane gas cylinder into the regulator.
- Handle the Cylinder with care - do not drop it.
- When you are not using the TT grill, the Propane Gas Cylinder should be disconnected.
- Connect the propane cylinder and hand tighten firmly.
- Do a leak test each time you connect a Propane Gas Cylinder and before lighting the grill.
- Never use a match or lit flame to test for leaks.
- To test, prepare a weak solution of detergent and water. Spray or swab the solution onto the connection of the regulator to the Propane Gas Cylinder valve (which MUST be closed in the "OFF" position).
- Turn on the regulator control, and watch for any bubbles to appear at the connection point. No bubbles indicate - All Clear!
- If there are any bubbles, there is a leak which must be fixed.
- Never obstruct the flow of combustion and ventilation air.



### Lighting the TT grill

- Always open the Lid before lighting the grill.
- Regulator knob should be in the "OFF" position.
- Twist in the Propane Gas Cylinder to the regulator.
- Push and turn the regulator knob anti-clockwise to "HIGH"
- Push igniter button to light the burner.
- You can then adjust the knob to your desired setting.
- If the burner did not light, turn the knob back to the "OFF" position, wait 5 minutes for any gas to clear away, and then repeat the lighting procedure.
- After using the grill, push fully in and turn the regulator knob to the "OFF" position.
- IF the igniter does NOT light the burner, you can light it with a match or a piece of burning paper - hold the match or paper with the Match, put it through the openings in the Cooking Grid and next to the Flame Tent covering the burner. Then follow the lighting procedure above.
- Observe the proper burner flame - it should be a blue/yellow color about 1/2" long.



## OPERATING INSTRUCTIONS

### CARE AND CLEANING

#### ! WARNING !

- Do not do any cleaning or maintenance on any grill parts until all parts are cool! Be sure that the control knob on the regulator is closed and in the OFF position
- After every cooking session, you may run the gas grill on HIGH to burn off any food residue, keeping the residue from building up.

#### CLEANING

- Use only mild dishwashing detergents, hot water, a nylon scrub pad and a BBQ wire brush cleaning tool.
- Always rinse all surfaces thoroughly after cleaning.
- Handle Porcelain coated surfaces gently and carefully- they are made from high temperature glass and can chip easily.
- **Note: The Grease Cup should be emptied and cleaned after each use to prevent flare-ups and/or grease fires.**

#### Burners

1. Turn the gas OFF at the regulator control knob.
2. Lift off the cooking grids and the heat tents covering the burners.
3. Remove the screw attaching the burners at the bottom of the grill.
4. Gently and carefully, tilt the back of the Burner up and slide it backwards off the valve orifice, then lift out of the grill.
5. Wipe clean the orifice face.

### TROUBLE SHOOTING THE GAS GRILL

#### Burner does not light :

1. Check if LP Gas Cylinder is empty?
2. Check Igniter wire – is there a spark?
3. Check for spider webs or insect nests inside, clogging the Burner

#### Flame color is Yellow, should be Blue:

1. Check for spider webs or insect nests inside, clogging the Burner
2. Close Lid and run on HIGH to burn off residue on Burner

#### Flame flares up:

1. Cooking temperature is set too high
2. Food being cooked is too fatty
3. Grease has accumulated in the grill. Clean and burn off

## OPERATING INSTRUCTIONS

### **! IMPORTANT ! CURING PROCESS**

- Step 1: Ignite the LP gas grill side and burn at medium temperature for one hour.  
Step 2: Let the grill cool completely and it is ready for use.

FOR YOUR SAFETY, FOLLOW ALL SAFEGUARDS AND INSTRUCTIONS.

## Limited Warranty



This Outdoor Leisure Products® Grill is guaranteed against broken or damaged parts at time of purchase. All parts carry a 1-year limited warranty. Paint is guaranteed to be free of defects for 90 days except for rust, which may appear after repeated use.

This warranty does not cover damage or issues related to neglect, abuse, or modifications to the product. Repair labor is not covered.

All parts that meet the warranty requirements will be shipped at no-charge via the discretion of the Customer Service Department (ground shipments, US Mail, or Parcel Post Only). Any special handling charges (i.e. Second Day, Overnight, etc.) will be the responsibility of the consumer.

All warranty claims apply only to the original purchaser and require a proof of purchase verifying purchase date. Do not return parts to our address without first obtaining a return authorization number from our customer service.

This service is available by calling 866-475-5180, 8:30am to 4:30pm, Central Time, Monday through Friday, or write to Outdoor Leisure Products, Inc., 5400 Doniphan Drive, Neosho, MO 64850.

This warranty may give you specific legal rights that vary by state.

Outdoor Leisure Products, Inc  
5400 Doniphan Drive  
Neosho, MO 64850  
[www.olp-inc.com](http://www.olp-inc.com)

©2015 Outdoor Leisure Products, Inc. Smoke Hollow ® and the Smoke Hollow ® logo are trademarks of Outdoor Leisure Products, Inc. and are not to be used without express permission by Outdoor Leisure Products, Inc.