

This Owner's Manual is provided and hosted by [Appliance Factory Parts](#).



# MASTERBUILT MB25050416 Owner's Manual

[Shop genuine replacement parts for MASTERBUILT  
MB25050416](#)



[Find Your MASTERBUILT Grill Parts - Select From 589 Models](#)

----- Manual continues below -----

# MASTERBUILT®

EST. 1973

Welcome to the family. Let's get started.



## MPS 20B, MPS 25B

PATIO-2-PORTABLE PROPANE SMOKER  
FUMOIR POUR TERRASSE OU PORTATIF AU PROPANE  
PARA PATIO Y PORTÁTIL

Manual applies to the following model number(s)  
Le manuel s'applique aux numéros de modèle suivants  
El manual se aplica a los siguientes números de modelo

**MB20050116, MB20050516, MB25050416**



Your model number | Votre numéro de modèle |  
Su número de modelo

Mfg. Date - Serial Number | Date de fabrication - Numéro de série |  
Fecha Fabricado - Número de serie

*These numbers are located on the rating label of the unit.  
Le numéro de série se trouve sur la plaque signalétique de l'unité.  
El número de serie se encuentra en la etiqueta de la unidad.*

## IMPORTANT | IMPORTANTE

Please record this information immediately and keep in a safe place for future use.

Veuillez noter cette information immédiatement et la conserver dans un endroit sûr pour une utilisation future.

Por favor, registrar esta información inmediatamente y guardar en un lugar seguro para su uso futuro.

Manual Code: 9805170020 170912-GSB

**Master it. Masterbuilt.**

**! CARBON MONOXIDE HAZARD !**

Burning wood chips gives off carbon monoxide,  
which has no odor and can cause death.

**DO NOT** burn wood chips inside homes, vehicles, tents,  
garages or any enclosed areas.

**USE ONLY OUTDOORS** where it is well ventilated.

**! WARNING !**

This manual contains important information necessary for the  
proper assembly and safe use of the appliance.

**Read and follow all warnings and instructions before assembling  
and using the appliance.**

**Follow all warnings and instructions when using the appliance.**

**Keep this manual for future reference.**

**! Failure to follow these instructions properly could result in fire, explosion,  
or burn hazard which could cause property damage, personal injury, or death. !**

**! DANGER !**

**IF YOU SMELL GAS:**

- 1. Shut off gas to the appliance.**
- 2. Extinguish any open flame.**
- 3. Open door.**
- 4. If odor continues, keep away from the appliance and  
immediately call your Fire Department.**

**! DANGER !**

- 1. Never operate this appliance unattended.**
- 2. Never operate this appliance within 10 feet (3.0m) of any  
structure, combustible material or other gas cylinder.**
- 3. Never operate this appliance within 25 feet (7.5m) of any  
flammable liquid.**
- 4. If fire should occur, keep away from appliance and  
immediately call your fire department. Do not attempt to  
extinguish an oil/grease fire with water.**

## STRUCTURAL PROXIMITY AND SAFETY USAGE RECOMMENDATIONS

Before using smoker check wind direction and place cylinder DOWNWIND. This is necessary so that cylinder supply system is arranged for vapor withdrawal.

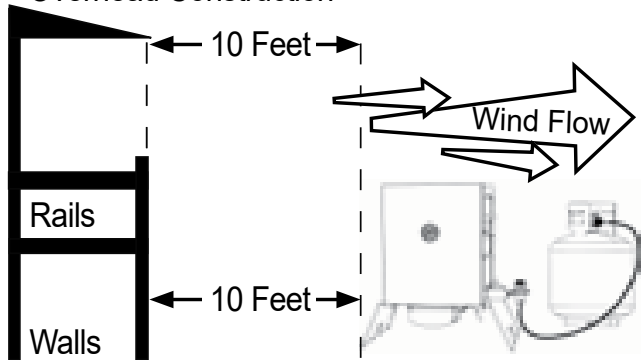


**WARNING:**



**OPTIONAL HOSE ADAPTER IS A TRIP HAZARD THAT COULD CAUSE SUPPLY CYLINDER TO TIP.**

Overhead Construction



## GENERAL WARNINGS AND SAFETY INFORMATION



### READ ALL INSTRUCTIONS

- Always use unit in accordance with all applicable local, state and federal fire codes.
- Before each use check all nuts, screws and bolts to make sure they are tight and secure.
- Never operate unit under overhead construction such as roof coverings, carports, awnings, or overhangs.
- Unit is for OUTDOOR HOUSEHOLD USE ONLY.
- Never use inside enclosed areas such as patios, garages, buildings or tents.
- Never use inside or on recreational vehicles or boats.
- Maintain a minimum distance of 10ft (3m) from overhead construction, walls, rails or other structures.
- Keep a minimum 10ft (3m) clearance of all combustible materials such as wood, dry plants, grass, brush, paper, or canvas.
- Never use unit for anything other than its intended use. This unit is NOT for commercial use.

## WARNINGS & IMPORTANT SAFEGUARDS CONTINUED ON PAGE 4



# **GENERAL WARNINGS AND SAFETY INFORMATION**



## **WARNINGS & IMPORTANT SAFEGUARDS CONTINUED FROM PAGE 3**

- Accessory attachments not supplied by Masterbuilt Manufacturing, LLC are NOT recommended and may cause injury.
- Use of alcohol, prescription or non-prescription drugs may impair user's ability to properly assemble or safely operate unit.
- Keep a fire extinguisher accessible at all times while operating unit.
- When cooking with oil or grease, have a type BC or ABC fire extinguisher readily available.
- In the event of an oil or grease fire do not attempt to extinguish with water. Immediately call the fire department. A Type BC or ABC fire extinguisher may, in some circumstances contain the fire.
- Use unit on a level, non-combustible, stable surface such as dirt, concrete, brick or rock. An asphalt surface (blacktop) may not be acceptable for this purpose.
- Unit **MUST** be on the ground. Do not place unit on tables or counters. Do **NOT** move unit across uneven surfaces.
- Do not use unit on wooden or flammable surfaces.
- Keep unit clear and free from combustible materials such as gasoline and other flammable vapors and liquids.
- Do not leave unit unattended.
- Keep children and pets away from unit at all times. Do **NOT** allow children to use unit. Close supervision is necessary should children or pets be in area where unit is being used.
- Do **NOT** allow anyone to conduct activities around unit during or following its use until it has cooled.
- Never use glass, plastic or ceramic cookware in unit. Never place empty cookware in unit while in use.
- Never move unit when in use. Allow unit to cool completely (below 115°F (45°C)) before moving or storing.
- Store only when fire is completely out and all surfaces are cold.
- Never use unit as a heater (**READ CARBON MONOXIDE HAZARD**).
- The unit is **HOT** while in use and will remain **HOT** for a period of time afterwards and during cooling process. Use **CAUTION**. Wear protective gloves/mitts.
- Be careful when removing food from unit. All surfaces are **HOT** and may cause burns. Use protective gloves/mitts or long, sturdy cooking tools for protection from hot surfaces or splatter from cooking liquids.
- **DO NOT** bump or impact the unit to prevent personal harm, damage to unit or spillage/ splashing of hot cooking liquid.
- Do not touch **HOT** surfaces
- Unit is hot during use. To avoid burns, keep face and body away from door, lid and vents. Steam and hot air are expelled during use.

## **WARNINGS & IMPORTANT SAFEGUARDS CONTINUED ON PAGE 5**



# **GENERAL WARNINGS AND SAFETY INFORMATION**



## **WARNINGS & IMPORTANT SAFEGUARDS CONTINUED FROM PAGE 4**

- Air dampers are HOT while the unit is in use and during cooling; wear protective gloves when adjusting.
- Unit has an open flame. Keep hands, hair, and face away from burner flame. Do NOT lean over burner when lighting. Loose hair and clothing may catch fire.
- DO NOT obstruct flow of combustion and ventilation.
- Do not cover cooking racks with metal foil. This will trap heat and may cause damage to the unit.
- Installation of unit must conform with local codes or in the absence of local codes, with National Fuel Gas Code, ANSI Z223.1/NFPA 54, Storage and Handling of Liquefied Petroleum Gases, ANSI/NFPA 58 or CSA B149.1, Natural Gas Installation Code; Propane Storage and Handling, CSA B149.2; or the Standard for Recreational Vehicles, ANSI A119.2/NFPA 1192; and Recreational Vehicle Code, CSA Z240 RV Series as applicable.
- Before each use inspect gas hose for signs of damage, if using adapter hose which is not included with this unit.
- Keep fuel supply hose away from any heated surface, if using adapter hose which is not included with this unit.
- Keep fuel supply hose away from unit while in operation, if using adapter hose which is not included with this unit.
- Regulator and hose assembly supplied with unit MUST be used. For replacement parts contact Masterbuilt Customer Service at 1-800-489-1581.
- Use 1LB (0.45kgs) gas cylinder (cylinder not included with unit). If using adapter hose, not included with this unit, use a 20LB (9kgs) gas cylinder that has protective collar (cylinder not included with unit).
- Keep ventilation openings of cylinder enclosure free and clear of debris.
- LP gas cylinder being used must be constructed and marked in accordance with specifications for LP gas cylinders of the US Department of Transportation (DOT) or the Standard for Cylinders, Spheres and Tubes for the Transportation for Dangerous Goods, CAN/CSA-B339.
- Never use gas cylinder if there is evidence of dents, gouges, bulges, fire damage, erosion, leakage, excessive rust, or other forms of visible external damage. This may be hazardous and cylinder should be taken to a liquid propane supplier to be checked.
- Never attach/disconnect gas cylinder, move or alter gas fittings when unit is in operation.
- Always disconnect gas cylinder from unit when not in use.
- Unit is designed to work with propane gas only. Only use gas cylinders marked propane with this unit.
- This product will NOT operate with natural gas.
- When use is complete, always turn regulator control valve OFF. When using a 20LB tank with adaptor hose (not included with this unit), turn regulator control valve OFF first, then the gas cylinder valve OFF, then disconnect the cylinder.

## **WARNINGS & IMPORTANT SAFEGUARDS CONTINUED ON PAGE 6**



# **GENERAL WARNINGS AND SAFETY INFORMATION**



## **WARNINGS & IMPORTANT SAFEGUARDS CONTINUED FROM PAGE 5**

- Gas **MUST** be turned off at the supply cylinder when not in use.
- Cylinder **MUST** be stored outdoors, out of children's reach and must **NOT** be stored in a building, garage, or any other enclosed area.
- Do **NOT** store spare LP gas cylinder under or near unit. Gas cylinder safety relief valve may overheat allowing gas to release causing fire which may cause death or serious injury.
- Never fill cylinder over 80% full or cylinder may release gas causing fire which may cause death or serious injury.
- Place a dust cap on cylinder valve outlet whenever cylinder is not in use. Only install dust cap provided with cylinder. Other caps or plugs may cause leaks.
- If you smell, hear or see gas escaping, immediately get away from gas cylinder and call the Fire Department. Fire may cause death or serious injury.
- Reference ignition steps before use.
- Never use lighter fluid with propane.
- Wood chips must be used in order to produce smoke and create the smoke flavor.
- Flame disk bowl/ wood chip tray/bowl is **HOT** when unit is in use. Use caution when adding wood.
- Check grease tray often during cooking. Empty grease tray before it gets full. Grease tray may need to be emptied periodically during cooking.
- Do not open smoker door(s) unless necessary. Opening smoker door(s) causes heat to escape, which may cause extended cooking time and may cause wood to flare up. Closing the door(s) will re-stabilize the temperature and stop flare up.
- This is a smoker. There will be a lot of smoke produced when using wood chips. Smoke will escape through seams and turn the inside of smoker black. This is normal. To minimize smoke loss around door(s), door latch(s) can be adjusted to further tighten door seal against body.
- To adjust door latch, loosen hex nut on door latch. Turn hook clockwise to tighten as shown. Secure hex nut firmly against door latch. (see diagram)
- When outside temperature is cooler than 65°F (18°C) and/or altitude is above 3,500 feet (1067m), additional cooking time may be required. To insure that meat is completely cooked use a meat thermometer to test internal temperature.
- Do not use wood pellets.
- Food needs to be in the center of smoking racks. This allows food drippings to go into the water bowl.
- Do not leave old wood or ashes in the flame disk bowl/woodchip tray/bowl. Once ashes are cold, empty bowl/tray. Bowl/tray should be cleaned out prior to, and after each use to prevent ash and residue buildup.
- Dispose of cold ashes by placing them in aluminum foil, soaking with water and discarding in a non-combustible container.
- Do not store unit with **HOT** ashes inside unit.

## **SAVE THESE INSTRUCTIONS**

# SMOKER OPERATION - READ & FOLLOW ALL INSTRUCTIONS CAREFULLY

## GETTING STARTED

- Pre-season unit prior to first use. See **PRE-SEASON INSTRUCTIONS**.
- Before starting the unit, see **ADDING WOOD CHIPS OR CHUNKS**.
- The 1 LB propane tank will last approximately 5 hours on LOW setting and 3 hours on HIGH setting.

**CAUTION** - All surfaces are HOT and may cause burns. Use protective gloves or long, sturdy cooking tools when loading/unloading food or racks, and when adding wood chips or water.

## PRE-SEASON INSTRUCTIONS

Curing your smoker will rid the unit of chemicals and oils left over by the manufacturing process allowing them to burn off.

### PRE-SEASON SMOKER PRIOR TO FIRST USE.

1. Perform soapy water test, see **SOAPY WATER TEST WARNINGS AND PROCEDURES**.
2. Using a napkin or cloth, rub a light coat of cooking oil on smoking racks and inside smoker door. Make sure water pan is in place with NO WATER.
3. Fill wood chip tray with up to 1/2 cup (0.12l) of wood chips or chunks and light smoker. Close door.
4. Start smoker, see **IGNITION INSTRUCTIONS** and let the smoker burn for about 1 hour. Make sure temperature gets up to 350°F (177°C).
5. Allow unit to cool COMPLETELY.
6. Reapply light coat of cooking oil on smoking racks and inside of smoker door.
7. Restart smoker and burn for 20 minutes.
  - ***Cure your smoker periodically to prevent excessive rust.***

## ADDING WOOD CHIPS OR CHUNKS

1. You may use dry or pre-soaked wood chips or chunks in your smoker. Dry chips or chunks will burn faster and produce a more intense smoke. Chips or chunks pre-soaked in water (for approximately 30 minutes) will burn slower and produce a less intense smoke.
2. DO NOT ADD MORE THAN 1/2 CUP (0.12l) OF WOOD CHIPS OR CHUNKS AT A TIME. **Never use wood pellets.**
3. Place additional wood chips or chunks in smoker as needed to achieve desired smoke flavor.
  - ***Wood chips or chunks must be used in order to produce smoke and create the smoke flavor.***

## OPERATING INSTRUCTIONS

1. To start smoker see **IGNITION INSTRUCTIONS**.
2. With protective gloves on, place water bowl in position. Pour 1 inch of water, juice, or vinegar into water bowl. This will add flavor and moisture to food and prevent it from drying out.
3. DO NOT cover racks with aluminum foil as this will not allow heat to circulate properly.
4. Pre-heat smoker for 30 to 45 minutes at max temperature before loading food.
5. Place food in the smoker, position on the center of the smoking rack.
6. DO NOT overload smoker with food. Extra large amounts of food may trap heat, extend cooking time and cause uneven cooking. Leave space between food on racks and smoker sides to ensure proper heat circulation. If utilizing cooking pans, place pans on center of rack to ensure even cooking.

## **SMOKER OPERATION - READ & FOLLOW ALL INSTRUCTIONS CAREFULLY**

7. For best results, rotate racks between the top and bottom positions during cooking.
8. Adjust smoker settings, regulator control knob and air dampers, to desired cooking temperature.
  - Close all air dampers on unit to retain moisture and heat. If cooking foods such as fish or jerky, open air dampers to release moisture.
9. If wood chips or chunks do not smoke on low setting, increase temperature to 275°. After 8 to 10 minutes or when wood chips or chunks begin to smolder, reduce temperature to desired low setting.
10. Use caution when cooking on windy days to ensure the flame does not blow out. If you suspect or experience a flame blow out, first open the door to check the flame and follow the **IGNITION INSTRUCTIONS** to re-ignite the burner if needed. Adjust the regulator control knob setting for a higher flame to prevent further blow outs. Never ignite smoker with the door closed.
11. Extreme cold temperatures may extend cooking times.
12. Once cooking is complete turn unit OFF, see **IGNITION INSTRUCTIONS** for turning off unit, remove the gas cylinder and then follow **CLEANING AND STORING INSTRUCTIONS**. CLEAN AFTER EVERY USE. This will extend the life of your smoker and prevent mold and mildew.

### **CLEANING AND STORING INSTRUCTIONS**

- ALWAYS MAKE SURE UNIT IS COOL TO THE TOUCH BEFORE CLEANING AND STORING.
- Be sure to clean smoker after each use. Make sure the gas cylinder has been turned off and removed.
- For rack supports, racks, water bowl, and drip pan use a mild dish detergent. Rinse and dry thoroughly.
- For woodchip tray clean frequently to remove ash build up, residue and dust.
- Dispose of cold ashes by placing them in aluminum foil, soaking with water and discarding in a non-combustible container.
- For the interior, exterior and door seal of the unit simply wipe down with a damp cloth after each use to keep unit in proper working condition. Do not use a cleaning agent. Make sure to dry thoroughly.
- After cleaning, store smoker in a covered and DRY AREA.
- Store only when fire is completely out and all surfaces are cold.
- When not in frequent use and using a cover, remember to check your smoker periodically to avoid possible rust and corrosion due to moisture buildup.



## WARNING

**PERFORM “SOAPY WATER TEST” BEFORE EACH USE.  
SEE “SOAPY WATER TEST” SECTION IN MANUAL.  
EXTINGUISH ALL OPEN FLAMES BEFORE CONNECTING REGULATOR  
TO GAS CYLINDER. TURN GAS OFF AFTER EACH USE.**

## SOAPY WATER TEST WARNINGS & PROCEDURES

### WARNINGS

- Soapy Water Test **MUST** be performed each time gas cylinder is connected to burner/hose or each time it is used.
- Soapy Water Test **MUST** be performed outdoors in well ventilated area.
- When performing Soapy Water Test keep smoker away from open flames, sparks or lit cigarettes.
- Never use an open flame to test for gas leaks.

### PREPARATION:

- Remove any cookware and accessories from unit.
- Make sure gas cylinder valve and adjustable regulator are turned to the OFF position
- Prepare soapy water solution: (1) part dish washing liquid (or more if desired), (3) parts water.
- Apply soapy water solution to gas cylinder valve, regulator, and hose.

### For 1LB Propane Tank:

- Ensure adjustable regulator on the smoker is turned OFF.
- Connect gas cylinder to adjustable regulator. Turn adjustable regulator ON and watch for bubbles at connection and regulator orifice location. **DO NOT LEAVE GAS ON MORE THAN 12 SECONDS.**
- If bubbles appear, stop, turn adjustable regulator OFF, and re-tighten the connection that is leaking gas. Repeat test.
- When test is complete, and there are no leaks, wait minimum of 5 minutes for gas fumes to diminish before lighting smoker.

### For 20LB (9kgs) Propane Tank with use of hose adapter (not included with this unit):

- Ensure gas cylinder valve and adjustable regulator are turned OFF.
- Connect hose adapter to gas cylinder and connect hose adapter to adjustable regulator. Turn gas cylinder valve and adjustable regulator ON and check for bubbles at the gas cylinder valve, along full length of hose, at hose and adjustable regulator connection and at regulator orifice connection. **DO NOT LEAVE GAS ON MORE THAN 12 SECONDS.**
- If bubbles appear, stop, turn regulator valve OFF, turn gas cylinder valve OFF and re-tighten the connection that is leaking gas. If hose is source of leak, **STOP, do not use unit. Hose must be replaced.**
- When test is complete, and there are no leaks, wait minimum of 5 minutes for gas fumes to diminish before lighting smoker.

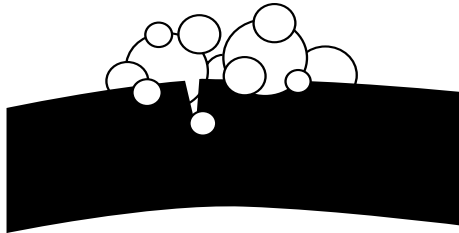
# SOAPY WATER TEST WARNINGS & PROCEDURES

**DURING ANY PORTION OF SOAPY WATER TEST IF BUBBLES CONTINUE TO APPEAR, STOP, DO NOT USE UNIT. CONTACT LOCAL PROPANE DEALER OR MASTERBUILT CUSTOMER SERVICE AT 1-800-489-1581.**

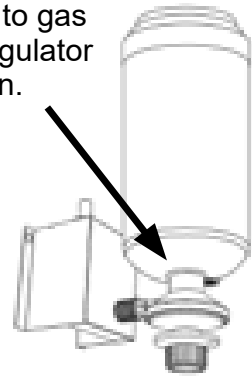
**Note:** Use 1LB (0.45kgs) gas cylinder with this unit. May use 20LB (9kgs) gas cylinder that has a protective collar with 20LB (9kgs) adapter hose.

Cylinder and adapter hose NOT included with this unit.

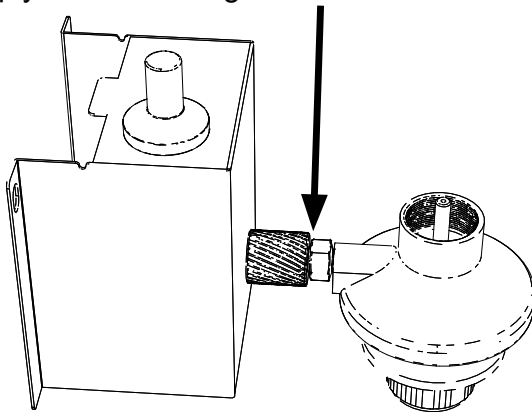
Failed test will present bubbles as shown below.



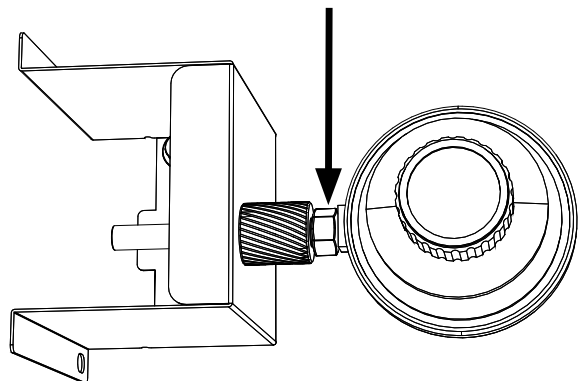
Apply solution to gas cylinder and regulator connection.



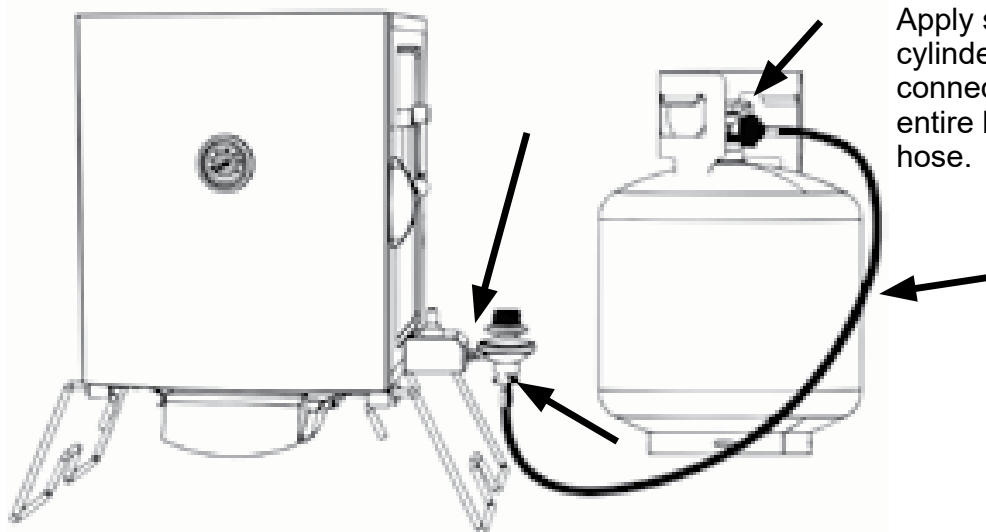
Apply solution to regulator orifice location.



Apply solution underneath regulator orifice connection.



Apply solution to gas cylinder, regulator connection, and the entire length of the hose.



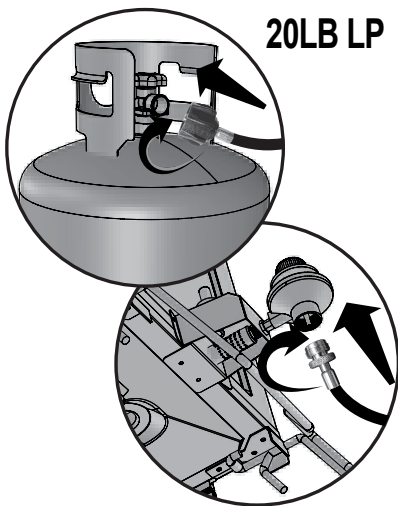
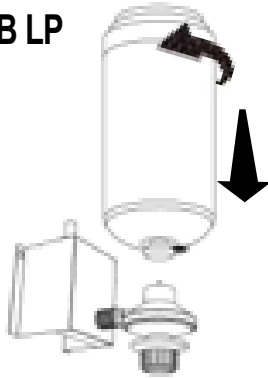
# IGNITION INSTRUCTIONS

## REGULATOR, BURNER AND GAS VALVE CONNECTION & OPERATION

CLOCKWISE      COUNTER  
CLOCKWISE



1LB LP

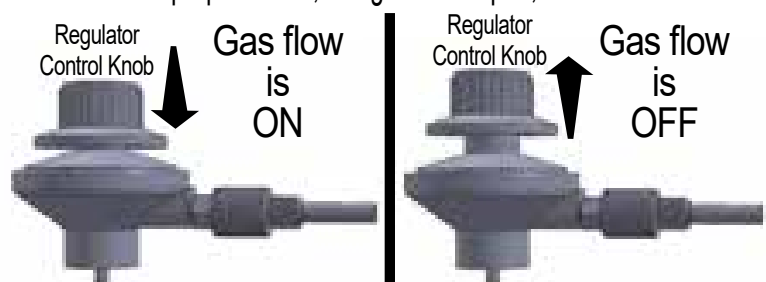


20LB LP

### IMPORTANT!

To turn off the gas flow from the tank, always ensure the regulator control knob is **UP** when in the OFF position! Once the control knob is up, turn to the LOCK OFF position to ensure the control knob does not get depressed causing unintentional gas flow.

- Inspect hose before each use if using hose adapter, not included with this unit. If there are signs of abrasion, wear, cuts, or leaks, the hose must be replaced. **DO NOT USE.**
- Inspect burner before each use. Check burner and burner tube for insects and insect nests. A clogged tube can lead to a fire beneath appliance.
- Check to ensure the orifice is centered inside the burner tube. Failure to properly assemble the valve orifice to the burner tube can result in gas leak or potential fire at connection. See assembly steps for proper assembly method and alignment.
- **Connect adjustable regulator to 1LB LP Gas Cylinder:**
  1. Make sure regulator control knob on regulator valve is in the LOCK OFF position.
  2. Remove protective cap from gas cylinder and coupling nut if applicable.
  3. Center and insert regulator nipple into valve outlet gas cylinder as shown in figure on the left. Turn regulator coupling nut clockwise until it stops. **DO NOT OVER TIGHTEN.**
- **If using hose adapter (not included with this unit) connect hose adapter to 20LB LP Gas Cylinder:**
  1. Make sure gas cylinder valve is closed. Turn valve clockwise until it stops.
  2. Make sure adjustable regulator on smoker is in the OFF position.
  3. Remove protective cap from gas cylinder and coupling nut if applicable.
  4. Center and insert hose adapter nipple into valve outlet on gas cylinder as shown in figure on the left. Turn regulator coupling nut clockwise until it stops. **DO NOT OVER TIGHTEN.**
  5. Center and insert hose adapter nipple into adjustable regulator on smoker as shown in figure on the left. Turn hose adapter coupling clockwise until it stops. **DO NOT OVER TIGHTEN.**
- Perform Soapy Water Test.
- Before starting lighting procedure make sure the smoker door is open.
- When lighting burner remove all parts inside or on unit to prevent explosion from gas build up.
- To use with 1LB propane tank push adjustable regulator in and turn counter-clockwise 1/4 turn to HIGH setting. Push ignitor button to light.
- To use with 20LB propane tank, using hose adapter, not included with



# IGNITION INSTRUCTIONS

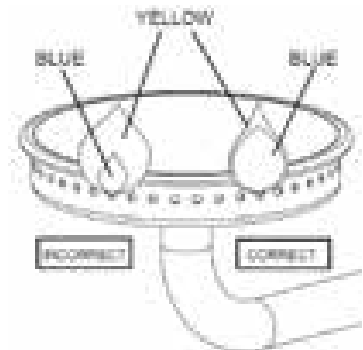
## REGULATOR, BURNER AND GAS VALVE CONNECTION & OPERATION

this unit, connect hose adapter to 20LB LP Gas Cylinder, turn gas cylinder valve ON, push adjustable regulator in and turn counter-clockwise 1/4 turn to HIGH setting. Push ignitor button to light.

- From the LOCK OFF position, turn the regulator control knob counter-clockwise to the OFF position, push regulator control knob down and turn counter-clockwise to HIGH position. Push ignitor button to light.
- If ignition does not take place within five seconds, turn the gas flow off by turning regulator control knob clockwise to LOW position. Push down on regulator control knob and turn clockwise to OFF allowing the regulator control knob to “pop up” as shown below. Wait five minutes and repeat lighting procedures. If ignition still does not occur, see MATCH LIGHT INSTRUCTIONS.
- Always ensure that smoker door(s) are open before igniting. Gas can accumulate in smoker.
- If flame goes out during cooking, turn the gas flow off by turning regulator control knob clockwise to LOW position. Push down on regulator control knob and turn clockwise to OFF allowing the regulator control knob to “pop up”, open door and wait 5 minutes then repeat ignition instructions.
- After use, turn adjustable regulator valve OFF and disconnect tank, if using a hose adapter turn adjustable regulator OFF, then turn gas cylinder valve OFF and disconnect and remove the gas cylinder.

## MATCH LIGHT INSTRUCTIONS

1. Read all instructions and warnings before lighting.
2. Check regulator control knob on regulator valve to be certain it is in LOCK OFF position before connecting to gas cylinder.
3. Perform soapy water test before each use.
4. Open door before lighting, remove all accessories and cooking vessels from in/or on unit.
5. From the LOCK OFF position, turn the regulator control knob counter-clockwise to the OFF position, push regulator control knob down and turn counter-clockwise to HIGH position.
6. Place a long lit match or candle lighter through lighting hole close enough to burner to ignite.
  - **Regulator control knob adjusts burner flame.** Turn regulator control knob clockwise to decrease flame. Turn regulator control knob counter-clockwise SLOWLY to increase flame. Turn regulator control knob clockwise to LOW position. Push down on regulator control knob and turn clockwise to OFF allowing the regulator control knob to “pop up” to shut flame off.
  - **Visually check burner flame.** A CORRECT FLAME should be blue with a small amount of yellow at the tip. An INCORRECT FLAME is excessively yellow and irregular. If an incorrect flame occurs, turn regulator control knob clockwise to LOW position. Push down on regulator control knob and turn clockwise to OFF allowing the regulator control knob to “pop up”. Allow unit to cool and then clean burner. Let burner completely dry before re-lighting.
7. If burner does not ignite after 5 seconds, turn the gas flow off by turning regulator control knob clockwise to LOW position. Push down on regulator control knob and turn clockwise to OFF allowing the regulator control knob to “pop up”. Wait five minutes and then re-try.
8. After use, turn regulator control knob clockwise to LOW position. Push down on regulator control knob and turn clockwise to OFF allowing the regulator control knob to “pop up” and continue turning clockwise to LOCK OFF position to lock the regulator control knob in the up position. Disconnect and remove the gas cylinder.





# WARNING

In the event of a gas leak that cannot be stopped, or if a fire occurs due to a gas leak, contact the fire department.

Emergency	Cause	Possible Solution
Gas leaking from cracked, cut or burned hose	Damaged hose	Turn off gas at LP cylinder.
		Replace hose.
		Contact Masterbuilt at 1.800.489.1581.
Gas leaking from LP cylinder	Failure due to rust or mishandled equipment	Replace LP cylinder.
Gas leaking from gas cylinder valve	Failure of valve due to rust, mechanical failure or mishandled equipment	Turn off gas cylinder valve and return cylinder to gas provider/supplier.
Gas leaking between LP cylinder and regulator connection	Improper installation, connection not tight enough, damaged threads or bad rubber seal	Turn off gas cylinder valve, then re-attach regulator to cylinder.
		Turn off gas cylinder valve and return cylinder to gas provider/supplier.
		Visually inspect rubber seal for damage.
Fire under control panel	Fire in tube of burner due to burner blockage	Turn off both burner control knob and gas cylinder valve. Once the fire is out and burner has cooled, remove and inspect burner for spiders, nests, rust or other debris.
Grease fire or excessive/continuous flame	Grease build up on or around burner area	Turn off both burner control knob and gas cylinder valve. Allow flames to extinguish and time for unit to cool down. Clean grease/food particles from/around burner or burner area and surrounding surfaces.

## TROUBLESHOOTING GUIDE

Symptom	Cause	Possible Solution
Low flame output*	Out of fuel	Refill or replace with full LP cylinder.
Flames blow out*	Low on LP gas	Refill LP cylinder.
Flare-up	Excessive grease buildup	Clean burner and inside unit.
	Excessive fat on meat	Trim fat off of meat.
	Cooking temperature too high	Adjust or lower temperature accordingly.
Persistent grease fire	Grease trapped by food buildup around burner system	Turn burner control knob and gas cylinder valve off. Allow fire to extinguish and the unit to cool down. Once cool, remove and clean parts.
Flashback (fire in burner tube)	Burner and/or burner tube has blockage	Turn burner control knob and gas cylinder valve off. Clean burner and/or burner tube.
Slower than expected cooking times*	Valve not properly aligned to burner	Check to see if valve is centered in burner tube.

\* Also see Troubleshooting Solutions: "Causes" Low or No Flow/Vapor Lock/Excess Flow below.

## TROUBLESHOOTING SOLUTIONS: "CAUSES" LOW OR NO FLOW/VAPOR LOCK/ EXCESS FLOW

Symptom	Cause	Possible Solution
Burner doesn't light after pressing ignitor button	Low/no gas flow	<ol style="list-style-type: none"> <li>1. Turn burner control knob to "Off" position.</li> <li>2. Turn gas cylinder valve knob to OFF.</li> <li>3. Disconnect regulator from cylinder to relieve vapor lock.</li> <li>4. Reconnect regulator to cylinder by hand turning until tight.</li> <li>5. Slightly open the gas cylinder valve slowly and then open further by turning 1 full turn.</li> <li>6. You are now ready to light the smoker.</li> <li>7. Turn the burner control knob to high and light with ignitor.</li> </ol>
	Vapor lock at coupling nut to LP cylinder	
Low flame output	Excess flow valve tripped	
	Vapor lock at coupling nut/ LP cylinder connection	
Flames blow out	Excess flow valve tripped	
Slower than expected cooking times	Vapor lock	

## **RISQUE LIÉ AU MONOXYDE DE CARBONE**

La combustion des copeaux de bois produit du monoxyde de carbone, qui n'a aucune odeur et peut provoquer la mort.

**NE faites JAMAIS brûler du charbon de bois à l'intérieur des maisons, véhicules, tentes, garages ou de tout endroit fermé.**

**NE L'UTILISEZ QU'À L'EXTÉRIEUR** dans un endroit bien ventilé.



## **AVERTISSEMENT**



**Ce manuel contient des renseignements importants et nécessaires au bon assemblage et à l'utilisation sécuritaire de l'appareil.**

**Veillez lire et vous conformer à tous les avertissements et suivre toutes les instructions avant d'assembler et d'utiliser l'appareil.**

**Conformez-vous à tous les avertissements et suivez toutes les instructions lorsque vous vous servez de l'appareil.**

**Conservez ce manuel pour référence.**



L'omission de vous conformer correctement à ces instructions pourrait provoquer un incendie, une explosion ou un risque de brûlure, ce qui pourrait causer des dommages à la propriété, des blessures corporelles ou la mort.



## **DANGER**

**SI VOUS SENTEZ DU GAZ :**

1. Fermez l'arrivée de gaz à l'appareil.
2. Éteignez toute flamme nue.
3. Ouvrez la porte.
4. Si l'odeur persiste, tenez-vous à l'écart de l'appareil et appelez immédiatement votre fournisseur de gaz ou votre service d'incendie.

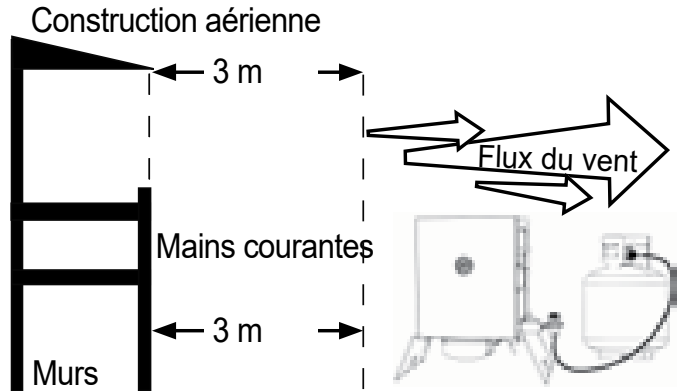
## **DANGER**

1. Ne faites jamais fonctionner cet appareil sans surveillance.
2. Ne faites jamais fonctionner cet appareil à moins de 3 m (10 pi) de toute structure, matière combustible ou d'une autre bonbonne de gaz.
3. Ne faites jamais fonctionner cet appareil à moins de 25 pieds (7,5 m) de tout liquide inflammable.
4. Si un incendie se déclare, éloignez-vous de l'appareil et appelez immédiatement votre service d'incendie. Ne tentez pas d'éteindre un feu de graisse ou d'huile avec de l'eau.

## RECOMMANDATIONS CONCERNANT LA PROXIMITÉ STRUCTURELLE ET L'UTILISATION SÉCURITAIRE

Avant d'utiliser le fumoir vérifiez la direction du vent et placez la bonbonne SOUS LE VENT. Cela est nécessaire pour faire en sorte que le système d'alimentation de la bonbonne puisse évacuer les vapeurs.

**AVERTISSEMENT :**  
**L'ADAPTATEUR DE TUYAU OPTIONNEL  
PEUT VOUS FAIRE TREBUCHER,  
CE QUI POURRAIT  
FAIRE BASCULER LA BONBONNE.**



## AVERTISSEMENTS GÉNÉRAUX ET RENSEIGNEMENTS CONCERNANT LA SÉCURITÉ



### LISEZ TOUTES LES INSTRUCTIONS

- Veuillez toujours utiliser cet appareil conformément aux lois sur la prévention des incendies locales, provinciales et fédérales en vigueur.
- Vérifiez tous les écrous, vis et boulons avant chaque utilisation afin de vous assurer qu'ils sont bien serrés.
- Ne faites jamais chauffer l'appareil sous une construction aérienne comme une toiture, un abri d'auto, un auvent ou un avant-toit.
- Appareil pour UTILISATION EXTERIEURE DES MÉNAGES SEULEMENT.
- Ne l'utilisez jamais à l'intérieur, dans des endroits clos comme les patios, garages, bâtiments ou tentes.
- N'utilisez jamais l'appareil à l'intérieur ou dans un véhicule récréatif ou un bateau.
- Maintenez une distance minimale de 3 mètres à partir de tout élément de construction aérien, des murs ou des mains courantes.
- Maintenez un dégagement minimal de 3 m (10 pi) de tout matériau combustible comme le bois, les plantes sèches, l'herbe, les broussailles, le papier ou les toiles.
- N'utilisez jamais l'appareil pour autre chose que son utilisation prévue. Cet appareil N'EST PAS

### AVERTISSEMENTS ET MISES EN GARDE IMPORTANTES (SUITE À LA PAGE 16)



## AVERTISSEMENTS GÉNÉRAUX ET RENSEIGNEMENTS CONCERNANT LA SÉCURITÉ



### AVERTISSEMENTS ET MISES EN GARDE IMPORTANTES (SUITE DE LA PAGE 15)

destiné à un usage commercial.

- Les accessoires qui ne sont pas fournis par Masterbuilt Manufacturing, LLC ne sont PAS recommandés et pourraient causer des blessures.
- L'usage d'alcool ou de médicaments vendus avec ou sans ordonnance pourrait compromettre la capacité de l'utilisateur à correctement assembler ou à faire fonctionner l'appareil en toute sécurité.
- Gardez un extincteur à portée de main en tout temps pendant que l'appareil chauffe.
- Lorsque vous cuisez des aliments avec de l'huile ou du gras, ayez un extincteur de type BC ou ABC à portée de main.
- En cas de feu d'huile ou de graisse, ne tentez pas de l'éteindre avec de l'eau. Appelez immédiatement le service d'incendie. Un extincteur de type BC ou ABC pourrait, en certaines circonstances, contenir l'incendie.
- Utilisez l'appareil sur une surface plane, non combustible et stable comme le sol, le béton, la brique ou la pierre. Une surface asphaltée peut ne pas convenir dans ce but.
- L'appareil DOIT être au sol. Ne placez pas l'appareil sur une table ou sur un comptoir. Ne déplacez pas l'appareil sur des surfaces accidentées.
- N'utilisez pas cet appareil sur une surface en bois ou inflammable.
- Gardez l'unité à distance de tout matériau combustible comme l'essence et les autres gaz et liquides inflammables.
- Ne laissez pas l'appareil sans surveillance.
- Gardez les enfants et animaux de compagnie à distance de l'appareil en tout temps. Ne permettez pas aux enfants d'utiliser cet appareil. Une surveillance attentive est nécessaire si des enfants ou des animaux de compagnie sont présents dans la zone où l'appareil est utilisé.
- Ne laissez personne faire des activités à proximité de l'appareil pendant qu'il chauffe ou avant qu'il n'ait refroidi.
- N'utilisez jamais d'ustensiles de cuisson en verre, en plastique ou en céramique dans l'appareil. Ne mettez jamais un ustensile de cuisson vide dans l'appareil pendant qu'il chauffe.
- Ne déplacez jamais l'appareil pendant qu'il chauffe. Laissez l'appareil refroidir complètement [en dessous de 45 °C (115 °F)] avant de le déplacer ou de le ranger.
- Rangez-le seulement lorsque le feu est complètement éteint et que toutes les surfaces sont froides.
- N'utilisez jamais l'appareil comme appareil de chauffage (LISEZ LA RUBRIQUE SUR LE RISQUE LIÉ AU MONOXYDE DE CARBONE).
- L'appareil est CHAUD pendant son utilisation et restera CHAUD pendant un certain temps au cours de la période de refroidissement. Faites ATTENTION. Portez des gants ou mitaines de protection.
- Procédez avec prudence quand vous enlevez des aliments de l'appareil. Toutes les surfaces sont CHAUDES et pourraient causer des brûlures. Utilisez des mitaines/gants protecteurs ou des ustensiles de cuisine robustes à manche long pour vous protéger des surfaces chaudes ou des éclaboussures provenant des liquides de cuisson.
- EVITEZ de heurter ou de bousculer l'appareil, car cela pourrait causer des blessures, endommager l'appareil ou renverser des liquides de cuisson chauds.
- Ne touchez pas les surfaces CHAUDES
- L'appareil est chaud lorsqu'il est en marche. Pour éviter les brûlures, tenez votre visage et votre corps à distance de la porte, du couvercle et des événements. Des vapeurs et de l'air chaud sont expulsés pendant l'utilisation.

### AVERTISSEMENTS ET MISES EN GARDE IMPORTANTES (SUITE À LA PAGE 17)



## **AVERTISSEMENTS GÉNÉRAUX ET RENSEIGNEMENTS CONCERNANT LA SÉCURITÉ**



### **AVERTISSEMENTS ET MISES EN GARDE IMPORTANTES (SUITE DE LA PAGE 16)**

- Les entrées d'air sont **CHAUDES** pendant l'utilisation de l'appareil et la période de refroidissement; portez des gants de protection pour les régler.
- Cet appareil a une flamme nue. Gardez vos mains, vos cheveux et votre visage à l'écart de la flamme du brûleur. Ne vous penchez pas au-dessus de l'appareil pour l'allumer. Vos cheveux et vos vêtements pourraient s'enflammer.
- N'obstruez pas le flux de la combustion et de la ventilation.
- Ne recouvrez pas les tablettes avec une feuille métallique. Cela emprisonnerait la chaleur et pourrait endommager l'appareil.
- L'installation de l'appareil doit respecter la réglementation locale et, en l'absence d'une telle réglementation, doit respecter le National Fuel Gas Code, ANSI Z223.1/NFPA 54, Storage and Handling of Liquefied Petroleum Gases, ANSI/NFPA 58 ou la norme CSA B149.1 : Code d'installation du gaz naturel; CSA B149.2 : Code d'installation du propane ou la norme Standard for Recreational Vehicles, ANSI A119.2/NFPA 1192; et la norme CSA Z240 intitulée Véhicules de camping, si applicables.
- Inspectez le tuyau de gaz à la recherche de dommages avant chaque utilisation si vous utilisez un adaptateur de tuyau non inclus avec cet appareil.
- Gardez le tuyau d'arrivée de carburant à l'écart de toute surface chaude si vous utilisez un adaptateur de tuyau non inclus avec cet appareil.
- Maintenez le tuyau d'arrivée de carburant à l'écart de l'appareil pendant qu'il fonctionne si vous utilisez un adaptateur de tuyau non inclus avec cet appareil.
- Vous **DÉVEZ** utiliser le tuyau et le régulateur fournis avec l'appareil. Pour des pièces de remplacement, communiquez avec le service à la clientèle de MASTERBUILT au 1-800-489-1581.
- Utilisez une bonbonne de gaz de 0,45 kg (1 lb) (la bonbonne n'est pas incluse avec cet appareil). Si vous utilisez un adaptateur de tuyau non inclus avec cet appareil, utilisez une bonbonne de gaz de 9 kg (20 lb) munie d'un collet protecteur (la bonbonne n'est pas incluse avec cet appareil).
- Gardez les ouvertures de ventilation de l'enceinte de la bonbonne bien ouvertes et libres de tout débris.
- La bonbonne de gaz propane utilisée doit être fabriquée et marquée conformément aux spécifications du **DEPARTEMENT DES TRANSPORTS** des États-Unis (DOT) pour les bonbonnes de gaz propane ou à la norme nationale CAN/CSA B339 de Transport Canada relative aux bouteilles, sphères et tuyaux pour le transport des marchandises dangereuses.
- N'utilisez jamais une bonbonne de gaz si elle présente des creux, entailles, renflements, dommages dus à la chaleur, signes d'érosion, de fuites, rouille excessive ou toute autre forme de dommage externe. Cela pourrait être dangereux, et la bonbonne devrait être apportée chez un fournisseur de propane liquide pour être inspectée.
- Ne branchez/débranchez jamais la bonbonne de gaz et ne déplacez ou modifiez jamais les montages d'installation de gaz pendant que l'appareil fonctionne.
- Débranchez toujours la bonbonne de gaz de l'appareil lorsque vous ne l'utilisez pas.
- L'appareil est conçu pour fonctionner au propane seulement. N'utilisez que les bouteilles de gaz marquées « propane » avec cet appareil.
- Cet appareil ne fonctionne **PAS** au gaz naturel.
- Lorsque vous avez terminé d'utiliser l'appareil, mettez toujours le bouton de contrôle du régulateur en position OFF. Lorsque vous utilisez une bonbonne de 9 kg avec un adaptateur de tuyau (non inclus avec cet appareil), mettez d'abord le bouton de contrôle du régulateur en position OFF, fermez ensuite le robinet de la bonbonne de gaz OFF, puis débranchez la bonbonne.

### **AVERTISSEMENTS ET MISES EN GARDE IMPORTANTES (SUITE À LA PAGE 18)**



## AVERTISSEMENTS GÉNÉRAUX ET RENSEIGNEMENTS CONCERNANT LA SÉCURITÉ



### AVERTISSEMENTS ET MISES EN GARDE IMPORTANTES (SUITE DE LA PAGE 17)

- La sortie de gaz DOIT être fermée sur la bonbonne de gaz lorsque vous ne l'utilisez pas.
- La bonbonne DOIT être entreposée à l'extérieur, hors de l'atteinte des enfants et ne doit PAS être entreposée dans un bâtiment, un garage ou tout autre endroit clos.
- Ne conservez PAS les bonbonnes de réserve en dessous ou près de l'appareil. La valve de sûreté de la bonbonne de gaz pourrait surchauffer, ce qui permettrait au gaz de s'échapper et de provoquer un incendie qui pourrait entraîner la mort ou des blessures graves.
- Ne remplissez jamais la bonbonne à plus de 80 % de sa capacité au risque de provoquer un incendie qui pourrait entraîner la mort ou des blessures graves.
- Mettez toujours un bouchon antipoussières sur le robinet de la bonbonne lorsqu'elle n'est pas utilisée. N'utilisez que le bouchon fourni avec la bonbonne. D'autres bouchons ou couvercles pourraient provoquer des fuites.
- Si vous sentez, entendez ou voyez du gaz s'échapper, éloignez-vous immédiatement de la bonbonne de gaz et appelez le service d'incendie. Le feu peut entraîner la mort ou des blessures graves.
- Consultez les étapes du processus d'allumage avant d'utiliser l'appareil.
- N'utilisez jamais d'essence à briquet avec du propane.
- Vous devez utiliser des copeaux de bois pour produire de la fumée et donner une saveur de fumée.
- La pochette du chargeur à copeaux de bois, le bac à copeaux et le bol sont CHAUDS lorsque l'appareil fonctionne. Soyez prudent quand vous ajoutez du bois.
- Examinez souvent le plateau à graisse pendant la cuisson. Videz le plateau à graisse avant qu'il ne soit plein. Le plateau à graisse peut devoir être vidé périodiquement en cours de cuisson.
- N'ouvrez pas inutilement la/les porte(s) du fumoir. L'ouverture de la/les porte(s) du fumoir permet à la chaleur de s'échapper, ce qui pourrait prolonger le temps de cuisson; en outre, le bois pourrait s'embraser. La fermeture de la/les porte(s) stabilisera la température et éteindra les flammes.
- Ceci est un fumoir. L'utilisation de copeaux de bois produira beaucoup de fumée. La fumée s'échappera par les joints et noircira l'intérieur du fumoir. C'est normal. Pour minimiser la perte de fumée autour de la/les porte(s), les loquets peuvent être ajustés pour resserrer les joints de porte au corps de l'appareil.
- Pour ajuster le loquet de porte, desserrez l'écrou hexagonal sur le loquet. Tournez le crochet dans le sens horaire pour le serrer tel que montré. Fixez solidement l'écrou hexagonal sur le loquet de la porte (voir schéma).
- La cuisson peut exiger plus de temps lorsque la température extérieure est inférieure à 18 °C (65 °F) ou à une altitude supérieure à 1067 m (3 500 pi). Utilisez un thermomètre à viande pour vous assurer qu'elle est complètement cuite.
- N'utilisez pas de granules de bois.
- Les aliments doivent être placés au centre des étagères du fumoir. Cela permet aux graisses de s'égoutter dans le bol d'eau.
- Ne laissez pas de vieux bois ou de cendres dans la pochette du chargeur à copeaux de bois, le bac à copeaux ou le bol. Une fois les cendres refroidies, videz le bol ou le bac. Le bol et le bac doivent être nettoyés avant et après chaque utilisation pour éviter une accumulation de cendres et de résidus.
- Disposez des cendres froides en les mettant dans une feuille d'aluminium, les mouillant complètement avec de l'eau et les jetant dans un contenant non combustible.
- Ne rangez pas l'appareil tant qu'il contient encore des cendres CHAUDES.

## CONSERVEZ CES INSTRUCTIONS

# FONCTIONNEMENT DU FUMOIR - LISEZ ET SUIVEZ ATTENTIVEMENT TOUTES LES INSTRUCTIONS

## POUR COMMENCER

- Préparez votre fumoir avant sa première utilisation. Consultez les **INSTRUCTIONS DE PRÉPARATION**.
- Avant d'allumer l'appareil, consultez **AJOUT DE COPEAUX DE BOIS OU DE MORCEAUX**.
- Le 1 LB réservoir de propane durera environ 5 heures sur le réglage LOW et 3 heures sur le réglage HIGH .

**ATTENTION** - Toutes les surfaces sont **CHAUDES** et peuvent provoquer des brûlures. Utilisez des gants de protection ou, outils de cuisson robustes longues lors du chargement / déchargement des aliments ou racks, et lors de l'ajout de copeaux de bois ou de l'eau.

## INSTRUCTIONS DE PRÉPARATION

La préparation de votre fumoir le débarrassera des produits chimiques et huiles laissées au cours du procédé de fabrication en leur permettant de brûler.

### PRÉPAREZ VOTRE FUMOIR AVANT SA PREMIÈRE UTILISATION.

1. Faites un test à l'eau savonneuse, consultez **TEST À L'EAU SAVONNEUSE; AVERTISSEMENTS ET PROCÉDURES**.
2. À l'aide d'une serviette ou d'un chiffon , frottez une légère couche d'huile de cuisson sur des étagères fumeurs et à l'intérieur de la porte fumeur. Assurez-vous que le bac à eau est en place sans eau .
3. Remplissez bois bac à copeaux avec un maximum de 1/2 tasse ( 0.12l ) de copeaux de bois ou de morceaux et fume lumière. Ferme la porte.
4. Démarrer fumeur, voir **INSTRUCTIONS POUR L'ALLUMAGE** et laissez le fumeur brûler pendant environ 1 heure . Assurez-vous que la température se lève à 350 ° F (177 ° C ) .
5. Laisser refroidir l'appareil **COMPLÈTEMENT** .
6. manteau Réappliquez lumière de l'huile de cuisson de fumer racks et à l'intérieur de la porte du fumoir .
7. Redémarrez fumeur et brûler pendant 20 minutes .
  - **Cure votre fumeur périodiquement pour éviter la rouille excessive .**

## AJOUT DE COPEAUX DE BOIS OU DE MORCEAUX

1. Le prétrempage des copeaux de bois ou de morceaux dans de l'eau pour obtenir la saveur de fumée désirée est facultatif. Pour prétrempage des copeaux de bois ou de morceaux, les mettre dans de l'eau pendant au moins 30 minutes.
2. **N'UTILISEZ JAMAIS PLUS DE 120 ML (1/2 TASSE) DE COPEAUX DE BOIS OU DE MORCEAUX À LA FOIS. N'utilisez jamais de granules de bois.**
3. Ajoutez d'autres copeaux de bois ou de morceaux dans le fumoir selon les besoins pour obtenir la saveur de fumée désirée.
  - **Vous devez utiliser des copeaux de bois ou de morceaux pour produire de la fumée et donner une saveur de fumée.**

## INSTRUCTIONS

1. Pour allumer le fumoir, consultez **INSTRUCTIONS POUR L'ALLUMAGE**.
2. Avec des gants de protection sur, bol d'eau de la placer en position. Verser 1 pouce d'eau, du jus ou du vinaigre dans un bol d'eau. Cela va ajouter la saveur et de l'humidité à l'alimentation et l'empêcher de se dessécher.
3. **NE PAS** couvrir racks avec une feuille d'aluminium, car cela ne permettra pas la chaleur de circuler correctement.
4. fumeur Préchauffer pendant 30 à 45 minutes à la température max avant la nourriture de chargement.
5. Placer les aliments dans le fumeur, la position sur le centre de la grille de fumer.

## FONCTIONNEMENT DU FUMOIR - LISEZ ET SUIVEZ ATTENTIVEMENT TOUTES LES INSTRUCTIONS

6. Ne pas surcharger fumeur avec de la nourriture. de grandes quantités supplémentaires de nourriture peuvent piéger la chaleur, prolonger le temps de cuisson et provoquer une cuisson inégale. Laissez un espace entre la nourriture sur des étagères et sur les côtés de fumeur pour assurer la circulation de la chaleur. Si l'utilisation de casseroles, placer les moules sur le centre de la crémaillère pour assurer une cuisson uniforme.
7. Pour de meilleurs résultats, faites pivoter racks entre les positions supérieure et inférieure pendant la cuisson.
8. Ajuster les paramètres de fumeur, le bouton de commande du régulateur et des amortisseurs à air, à la température de cuisson désirée.
  - Fermez tous les volets d'air sur l'unité à retenir l'humidité et la chaleur. Si la cuisson des aliments tels que le poisson ou saccadée, amortisseurs de plein air pour libérer l'humidité.
9. Si les copeaux de bois ou de morceaux ne fument pas à basse température, augmentation de la température à 275 °. Après 8 à 10 minutes ou lorsque les copeaux de bois ou de morceaux commencent à couvrir, réduire la température à réglage bas souhaité.
10. Faites preuve de prudence lors de la cuisson les jours de vent pour assurer la flamme ne souffle pas. Si vous pensez ou ressentez une flamme souffler, d'abord ouvrir la porte pour vérifier la flamme et suivez les **INSTRUCTIONS POUR L'ALLUMAGE** re-allumer le brûleur en cas de besoin. Ajustez le réglage du bouton de commande du régulateur pour une flamme plus haute pour éviter de nouvelles sorties de soufflage. Ne jamais allumer fumeur avec la porte fermée.
11. Des températures extrêmement froides peuvent prolonger le temps de cuisson.
12. Une fois que la cuisson est une unité de tour complet OFF, voir les **INSTRUCTIONS POUR L'ALLUMAGE** éteindre l'unité, retirez la bouteille de gaz et suivez Nettoyage et Instructions **INSTRUCTIONS POUR LE NETTOYAGE ET L'ENTREPOSAGE**. CLEAN après chaque utilisation. Cela permet de prolonger la vie de votre fumeur et prévenir la moisissure.

### INSTRUCTIONS POUR LE NETTOYAGE ET L'ENTREPOSAGE

- VEUILLEZ TOUJOURS VOUS ASSURER QUE L'APPAREIL EST FRAIS AU TOUCHER AVANT DE LE NETTOYER ET DE LE RANGER.
- Assurez-vous de nettoyer le fumoir après chaque utilisation. Assurez-vous que la bonbonne de gaz a été fermée et enlevée.
- Utilisez un détergent à vaisselle doux pour les étagères, grilles, supports, le bac à eau et le plateau d'égouttement. Rincez et asséchez avec soin.
- Nettoyer fréquemment le bac à copeaux pour enlever les cendres, les résidus et la poussière.
- Disposez des cendres froides en les mettant dans une feuille d'aluminium, les mouillant complètement avec de l'eau et les jetant dans un contenant non combustible.
- Pour garder l'appareil en bon état de fonctionnement, essuyez simplement l'intérieur, l'extérieur et les joints de porte après chaque utilisation avec un linge humide. N'utilisez pas un agent de nettoyage. Assurez-vous de bien assécher l'appareil.
- Après l'avoir nettoyé, rangez l'appareil dans un ENDROIT SEC.
- Rangez-le seulement lorsque le feu est complètement éteint et que toutes les surfaces sont froides.
- Lorsque vous ne vous en servez pas souvent et le couvrez, rappelez-vous de vérifier votre fumoir périodiquement afin d'éviter la rouille et la corrosion dues à l'accumulation d'humidité.



# AVERTISSEMENT



**FAITES UN TEST À L'EAU SAVONNEUSE AVANT CHAQUE UTILISATION.  
VOYEZ LA SECTION « TEST À L'EAU SAVONNEUSE » DE CE MANUEL.  
ÉTEIGNEZ TOUTES LES FLAMMES NUES AVANT DE BRANCHER LE RÉGULATEUR À LA  
BONBONNE DE GAZ. FERMEZ L'ARRIVÉE DE GAZ APRÈS CHAQUE UTILISATION.**

## TEST À L'EAU SAVONNEUSE : AVERTISSEMENTS ET PROCÉDURES

### MISES EN GARDE

- Le test à l'eau savonneuse DOIT être fait chaque fois qu'une bonbonne de gaz est connectée à l'appareil ou chaque fois qu'on s'en sert.
- Les tests à l'eau savonneuse DOIVENT être effectués à l'extérieur dans un endroit bien ventilé.
- Tenez le fumoir à distance des flammes nues, des étincelles ou des cigarettes allumées lorsque vous effectuez un test à l'eau savonneuse.
- N'utilisez jamais une flamme nue pour tester les fuites de gaz.

### PRÉPARATION :

- Retirez tout ustensile ou accessoire de l'appareil.
- Assurez-vous que le robinet de la bonbonne de gaz et le bouton de contrôle du brûleur sont en position OFF.
- Préparez une solution d'eau savonneuse : 1 partie de liquide vaisselle (ou plus si désiré) et 3 parties d'eau.
- Appliquez la solution d'eau savonneuse sur le robinet de la bonbonne de gaz, le régulateur et le tuyau.

### Pour les bonbonnes de 0,45 kg (1 lb) :

- Assurez-vous que le régulateur du fumoir est en position OFF.
- Connectez le cylindre de gaz au régulateur. Tournez le régulateur en position ON et surveillez l'apparition de bulles à l'emplacement de la connexion et de l'orifice du régulateur. **NE LAISSEZ PAS LA VALVE OUVERTE PLUS DE 12 SECONDES.**
- Si des bulles apparaissent, arrêtez, mettez le régulateur en position OFF et serrez de nouveau la connexion où la fuite de gaz est apparue. Répétez le test.
- Lorsque le test est terminé et qu'il n'y a aucune fuite, attendez au moins 5 minutes pour que les émanations de gaz diminuent avant d'allumer le fumoir.

### Pour les bonbonne de 9 kg (20 lb) utilisant un adaptateur de tuyau (non inclus avec cet appareil) :

- Assurez-vous que le robinet de la bonbonne de gaz et le régulateur sont en position OFF.
- Connectez l'adaptateur de tuyau à la bonbonne de gaz et raccordez l'adaptateur de tuyau au régulateur. Ouvrez le robinet de la bonbonne de gaz et mettez le régulateur en position ON et surveillez l'apparition de bulles sur le robinet de la bonbonne de gaz, tout le long du tuyau, à la connexion du tuyau au régulateur et à l'orifice du régulateur. **NE LAISSEZ PAS LA VALVE OUVERTE PLUS DE 12 SECONDES.**
- Si bulles apparaissent, arrêtez, tournez le bouton de contrôle du régulateur en position OFF, fermez le robinet de la bonbonne de gaz et resserrez la connexion où se situe la fuite. Si la source de la fuite est le tuyau, **ARRÊTEZ et n'utilisez pas l'appareil. Le tuyau doit être remplacé.**
- Lorsque le test est terminé et qu'il n'y a aucune fuite, attendez au moins 5 minutes pour que les émanations de gaz diminuent avant d'allumer le fumoir.

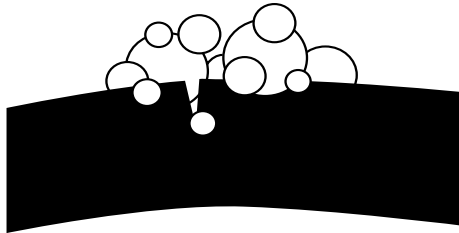
# TEST À L'EAU SAVONNEUSE : AVERTISSEMENTS ET PROCÉDURES

**SI DES BULLES CONTINUENT D'APPARAÎTRE À TOUT MOMENT PENDANT LE TEST À L'EAU SAVONNEUSE, ARRÊTEZ ET N'UTILISEZ PAS L'APPAREIL. COMMUNIQUEZ AVEC VOTRE FOURNISSEUR DE PROPANE LOCAL OU AVEC LE SERVICE À LA CLIENTÈLE DE MASTERBUILT AU 1-800-489-1581.**

**Notez :** utilisez une bonbonne de 0,45 kg (1 lb) avec cet appareil. Vous pouvez utiliser une bonbonne de 9 kg (20 lb) munie d'un collet protecteur avec un adaptateur de tuyau.

La bonbonne et l'adaptateur de tuyau ne sont PAS inclus avec cet appareil.

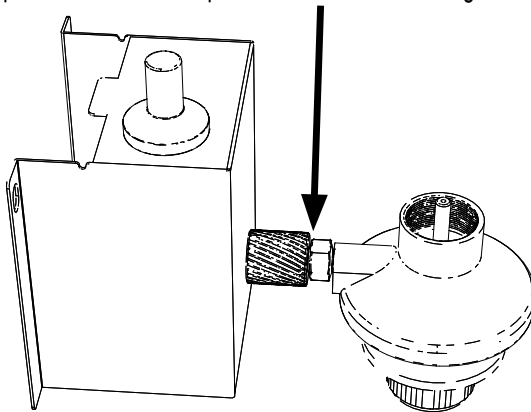
Si des bulles apparaissent, le test a échoué, tel que montré ci-dessous.



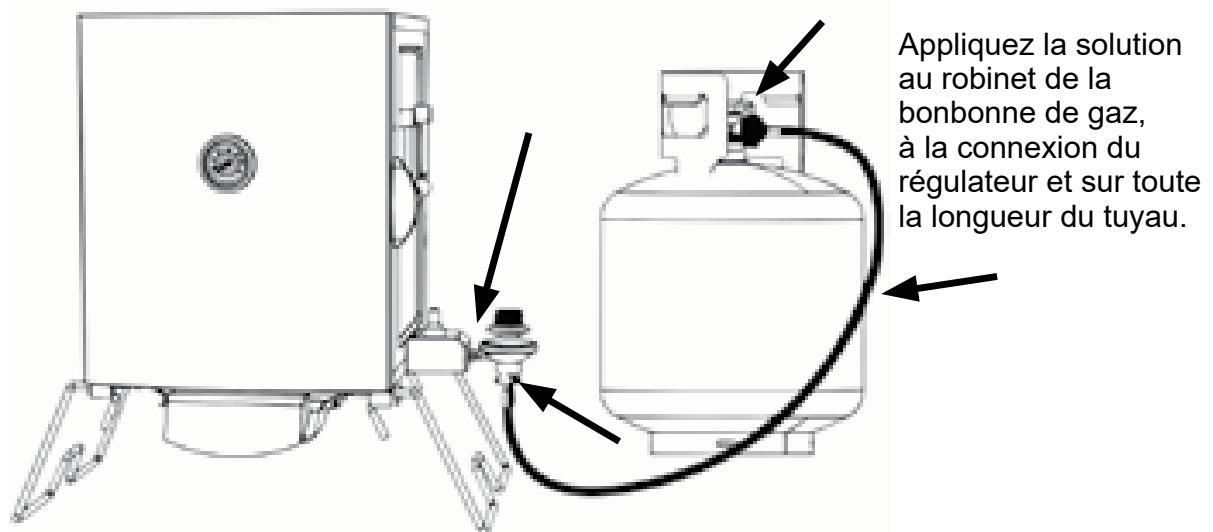
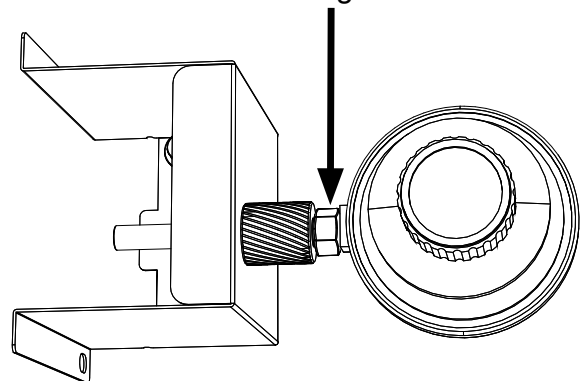
Appliquez la solution à la connexion de la bonbonne de gaz au régulateur.



Appliquez la solution à l'emplacement de l'orifice du régulateur.



Appliquez la solution sous la connexion de l'orifice du régulateur.

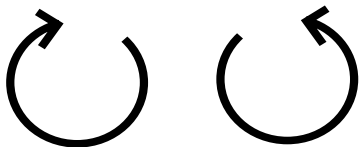


Appliquez la solution au robinet de la bonbonne de gaz, à la connexion du régulateur et sur toute la longueur du tuyau.

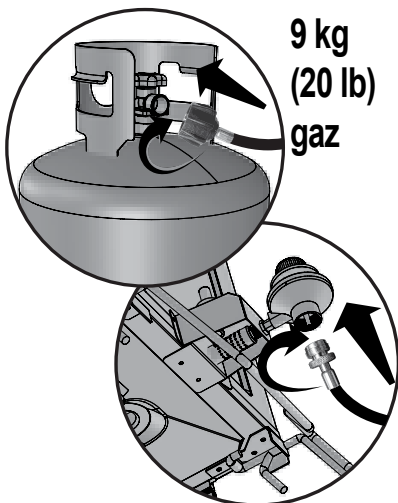
# INSTRUCTIONS POUR L'ALLUMAGE

## RACCORDEMENT ET FONCTIONNEMENT DU RÉGULATEUR, DU BRÛLEUR ET DU ROBINET DE GAZ

SENS  
HORAIRE      SENS  
ANTIHOAIRE



0,45 kg  
(1 lb)  
gaz



### IMPORTANT

Pour fermer le flux de gaz à partir du réservoir, assurez-vous toujours que le bouton de contrôle du régulateur est **RELEVÉ** lorsqu'il est en position OFF! Une fois le bouton de contrôle relevé, tournez-le jusqu'en position LOCK OFF pour vous assurer qu'il ne puisse être enfoncé et ne provoque un flux de gaz accidentel.

- Inspectez le tuyau avant chaque utilisation si vous utilisez un adaptateur de tuyau, non inclus avec cet appareil. Si y a des signes d'éraflure, d'usure, de coupures ou de fuites, le tuyau doit être remplacé. **NE L'UTILISEZ PAS.** Inspectez le brûleur avant chaque utilisation. Examinez brûleur et le tube du brûleur à la recherche d'insectes et de nids d'insectes. Un tube bouché peut provoquer un incendie sous l'appareil.
- Vérifiez que l'orifice est bien centré à l'intérieur du tube du brûleur. L'omission de bien assembler l'orifice du robinet au tube de la connexion. Consultez les étapes de l'assemblage pour la méthode d'assemblage et d'alignement appropriée.
- Connectez le régulateur à la bonbonne de gaz de 0,45 kg (1 lb) :**
  - Assurez-vous que le bouton de contrôle de la valve du régulateur est en position fermée (LOCK OFF).
  - Enlevez le bouchon protecteur de la bonbonne gaz et l'écrou d'accouplement s'il y a lieu.
  - Centrez et insérez le mamelon du régulateur dans l'ouverture du robinet de la bonbonne de gaz tel que montré dans la figure de gauche. Tournez l'écrou d'accouplement du régulateur dans le sens horaire jusqu'à l'arrêt. **NE SERREZ PAS TROP.**
- Si vous utilisez un adaptateur de tuyau (non inclus avec cet appareil) connectez l'adaptateur de tuyau à la bonbonne de gaz de 9 kg (20 lb) :**
  - Assurez-vous que le robinet de la bonbonne de gaz est fermé. Tournez le robinet dans le sens horaire jusqu'à l'arrêt.
  - Assurez-vous que le régulateur ajustable de l'appareil est en position OFF.
  - Enlevez le bouchon protecteur de la bonbonne gaz et l'écrou d'accouplement s'il y a lieu.
  - Centrez et insérez le mamelon de l'adaptateur dans l'ouverture du robinet de la bonbonne de gaz tel que montré dans la figure de gauche. Tournez l'écrou d'accouplement du régulateur dans le sens horaire jusqu'à l'arrêt. **NE SERREZ PAS TROP.**
  - Centrez et insérez le mamelon de l'adaptateur dans le régulateur du four tel que montré dans la figure de gauche. Tournez le raccord de l'adaptateur de tuyau dans le sens horaire jusqu'à l'arrêt. **NE SERREZ PAS TROP.**
- Faites un test avec de l'eau savonneuse.
- Avant de commencer la procédure d'allumage, assurez-vous que la porte du four est ouverte.
- Pour éviter une accumulation de gaz lors de l'allumage du brûleur, retirez toutes les pièces situées à l'intérieur ou sur l'appareil.
- Si vous utilisez une bonbonne de gaz de 0,45 kg (1 lb), enfoncez le régulateur et faites-le tourner sur 1/4 de tour dans le sens antihoraire jusqu'en position HIGH. Pressez sur le bouton d'allumage pour allumer l'appareil.
- Si vous utilisez une bonbonne de gaz de 9 kg (20 lb), non incluse avec cet appareil, raccordez l'adaptateur de tuyau à la bonbonne de gaz de 9 kg (20 lb), ouvrez le robinet de la bonbonne de gaz, enfoncez le régulateur et faites-le tourner sur 1/4 de tour dans le sens antihoraire jusqu'en position HIGH. Pressez



# INSTRUCTIONS POUR L'ALLUMAGE

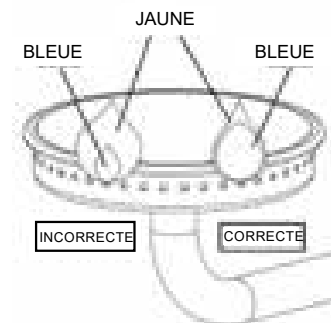
## RACCORDEMENT ET FONCTIONNEMENT DU RÉGULATEUR, DU BRÛLEUR ET DU ROBINET DE GAZ

sur le bouton d'ignition pour allumer l'appareil.

- À partir de la position LOCK OFF, tournez le bouton de contrôle du régulateur dans le sens antihoraire jusqu'en position OFF, enfoncez le bouton de contrôle du régulateur et tournez-le dans le sens antihoraire jusqu'en position HIGH. Pressez sur le bouton d'ignition pour allumer l'appareil.
- Si l'appareil ne s'allume pas dans les cinq secondes, fermez l'arrivée de gaz en tournant le bouton de contrôle du régulateur dans le sens horaire jusqu'en position LOW. Enfoncez le bouton de contrôle du régulateur et tournez-le dans le sens horaire jusqu'en position OFF en laissant le bouton de contrôle du régulateur remonter tel que montré ci-dessous. Attendez cinq minutes et répétez les procédures d'allumage. Si l'appareil ne s'allume toujours pas, voyez LES INSTRUCTIONS POUR UN ALLUMAGE AVEC UNE ALLUMETTE.
- Assurez-vous toujours que la/les porte(s) du fumoir sont ouvertes avant de l'allumer. Du gaz peut s'accumuler dans le fumoir.
- Si la flamme s'éteint en cours de cuisson, fermez l'arrivée de gaz en tournant le bouton de contrôle du régulateur dans le sens horaire jusqu'en position LOW. Enfoncez le bouton de contrôle du régulateur et tournez-le dans le sens horaire jusqu'en position OFF en laissant le bouton de contrôle du régulateur remonter, attendez cinq minutes et répétez les procédures d'allumage.
- Après l'utilisation, tournez le régulateur en position OFF et débranchez la bonbonne de gaz; si vous utilisez un adaptateur de tuyau, tournez le régulateur en position OFF, puis tournez le robinet de la bonbonne de gaz en position OFF et enlevez la bonbonne de gaz.

## INSTRUCTIONS POUR ALLUMER AVEC UNE ALLUMETTE

1. Lisez toutes les instructions et avertissements avant l'allumage.
2. Vérifiez le bouton de contrôle du régulateur sur la valve du régulateur pour vous assurer qu'il est en position LOCK OFF avant de brancher la bonbonne de gaz.
3. Faites un test à l'eau savonneuse avant chaque utilisation.
4. Ouvrez la porte avant l'allumage et retirez tous les accessoires et contenants de cuisson rangés dans ou sur l'appareil.
5. À partir de la position LOCK OFF, tournez le bouton de contrôle du régulateur dans le sens antihoraire jusqu'en position OFF, enfoncez le bouton de contrôle du régulateur et tournez-le dans le sens antihoraire jusqu'en position HIGH.
6. Mettez une longue allumette allumée ou un briquet à BBQ dans l'orifice d'allumage, suffisamment près du brûleur pour qu'il s'enflamme.
  - **Le bouton de contrôle du régulateur sert à régler la flamme du brûleur.** Tournez le bouton de contrôle du régulateur dans le sens horaire pour diminuer la flamme. Tournez le bouton de contrôle du régulateur LENTEMENT dans le sens antihoraire afin d'augmenter la flamme. Tournez le bouton de contrôle du régulateur dans le sens horaire jusqu'en position LOW. Enfoncez le bouton de contrôle du régulateur et tournez-le dans le sens horaire jusqu'en position OFF en laissant le bouton de contrôle du régulateur remonter pour éteindre la flamme.
  - Vérifiez visuellement la flamme du brûleur. Une BONNE FLAMME devrait être bleue avec un peu de jaune à la pointe. Une MAUVAISE FLAMME est trop jaune et irrégulière. En cas de mauvaise flamme, tournez le bouton de contrôle du régulateur dans le sens horaire jusqu'en position LOW. Enfoncez le bouton de contrôle du régulateur et tournez-le dans le sens horaire jusqu'en position OFF en laissant le bouton de contrôle du régulateur remonter. Laissez l'appareil refroidir puis nettoyez le brûleur. Laissez le brûleur s'assécher au complet avant de le rallumer.
7. Si le brûleur ne s'allume pas dans les cinq secondes, fermez l'arrivée de gaz en tournant le bouton de contrôle du régulateur jusqu'en position LOW. Enfoncez le bouton de contrôle du régulateur et tournez-le dans le sens horaire jusqu'en position OFF en laissant le bouton de contrôle du régulateur remonter. Attendez cinq minutes, puis essayez à nouveau.
8. Après utilisation, tournez le bouton de contrôle du régulateur dans le sens horaire jusqu'en position LOW. Enfoncez le bouton de contrôle du régulateur et tournez-le dans le sens horaire jusqu'en position OFF en laissant le bouton de contrôle du régulateur remonter, puis continuez de tourner dans le sens horaire jusqu'en position LOCK OFF afin de verrouiller le bouton de contrôle du régulateur en position relevée. Débranchez et enlevez la bonbonne de gaz.





# AVERTISSEMENT

Dans l'éventualité d'une fuite de gaz que vous soyez incapable d'arrêter ou si un incendie se déclare à cause d'une fuite de gaz, communiquez avec le service d'incendie.

Urgence	Cause	Solution possible
Du gaz fuit d'un tuyau fissuré, coupé ou brûlé.	Le tuyau de gaz est endommagé.	Fermez le robinet de gaz de la bonbonne de gaz.
		Remplacez le tuyau.
		Communiquez avec Masterbuilt au 1-800-489-1581.
Du gaz fuit de la bonbonne de gaz.	Dommmage dû à la corrosion ou à une mauvaise manipulation.	Remplacez la bonbonne de gaz.
Du gaz fuit du robinet de la bonbonne de gaz.	Dommmage au robinet dû à la corrosion, à un problème ou à une mauvaise manipulation.	Fermez le robinet de la bonbonne de gaz et rapportez la bonbonne à votre fournisseur de gaz.
Du gaz fuit entre la bonbonne de gaz et le branchement au régulateur.	Mauvaise installation, branchement insuffisamment serré, filetage endommagé ou joint de caoutchouc défectueux.	Fermez le robinet de la bonbonne de gaz, puis rebranchez le régulateur à la bonbonne.
		Fermez le robinet de la bonbonne de gaz et rapportez la bonbonne à votre fournisseur de gaz.
		Faites une inspection visuelle du joint de caoutchouc à la recherche de dommages.
Des flammes sous le panneau de contrôle.	Des flammes dans le tube du brûleur à cause d'un blocage.	Fermez le bouton de contrôle du brûleur et le robinet de la bonbonne de gaz. Une fois le feu éteint et lorsque le brûleur a refroidi, enlevez le brûleur à la recherche d'araignées, de nids de corrosion ou d'autres débris.
Feu de graisse ou flammes excessives et continues.	Accumulation de graisse sur ou autour du brûleur.	Fermez le bouton de contrôle du brûleur et le robinet de la bonbonne de gaz. Laissez les flammes s'éteindre et l'appareil refroidir. Nettoyez la graisse et les particules de nourriture qui se trouvent sur ou autour du brûleur ou sur les surfaces environnantes.

## GUIDE DE DÉPANNAGE

Symptôme	Cause	Solution possible
Flamme trop faible*	Manque de carburant.	Faites le plein ou mettez une bonbonne de gaz pleine.
Les flammes s'éteignent*	Quantité de gaz insuffisante.	Faites le plein de la bonbonne de gaz.
Flambée.	Accumulation excessive de graisse.	Nettoyez le brûleur et l'intérieur de l'appareil.
	Trop de graisse sur la viande.	Découpez le gras de la viande.
	Température de cuisson trop élevée.	Ajustez ou abaissez la température en conséquence.
Feu de graisse persistant.	Graisse emprisonnée par l'accumulation de nourriture autour du brûleur.	Éteignez le bouton de contrôle du brûleur et fermez le robinet de la bonbonne de gaz. Laissez le feu s'éteindre l'appareil refroidir. Une fois refroidi, démontez les pièces et nettoyez-les.
Retour de flamme (dans le tube du brûleur).	Blocage dans le brûleur ou dans le tube du brûleur.	Éteignez le bouton de contrôle du brûleur et fermez le robinet de la bonbonne de gaz. Nettoyez le brûleur ou le tube du brûleur.
Les temps de cuisson sont plus longs que prévus*	La valve n'est pas bien alignée avec le brûleur.	Vérifiez que la valve est bien centrée dans le tube du brûleur.

\* Voir aussi les Solutions aux problèmes : « Causes » Flux faible ou inexistant/Bouchon de vapeur/Flux excessif.

## SOLUTIONS AUX PROBLÈMES : « CAUSES » FLUX FAIBLE OU INEXISTANT/BOUCHON DE VAPEUR/FLUX EXCESSIF

Symptôme	Cause	Solution possible
Le brûleur ne s'allume pas lorsqu'on presse sur le bouton d'allumage.	Flux de gaz trop faible ou inexistant.	<ol style="list-style-type: none"> <li>1. Tournez le bouton de contrôle du brûleur jusqu'en position Off.</li> <li>2. Tournez le robinet de la bonbonne de gaz en position OFF.</li> <li>3. Débranchez le régulateur de la bonbonne afin de libérer le bouchon de vapeur.</li> <li>4. Rebranchez le régulateur à la bonbonne en serrant bien à la main.</li> <li>5. Ouvrez légèrement le robinet de la bonbonne de gaz, légèrement, puis donnez un tour complet pour l'ouvrir davantage.</li> <li>6. Vous êtes maintenant prêt à allumer le fumoir.</li> <li>7. Tourner le bouton de contrôle du brûleur en position HIGH et pressez le bouton d'allumage.</li> </ol>
	Bouchon de vapeur à l'écrou d'accouplement à la bonbonne de gaz.	
Flamme trop faible.	Le limiteur de débit s'est déclenché.	
	Bouchon de vapeur à écrou d'accouplement à la bonbonne de gaz.	
Les flammes s'éteignent.	Le limiteur de débit s'est déclenché.	
Les temps de cuisson sont plus longs que prévus.	Bouchon de vapeur.	

## **PELIGRO DE MONÓXIDO DE CARBONO**

Quemar trozos de madera despide monóxido de carbono, que no tiene olor y puede causar la muerte.

**NO** queme los trozos de madera dentro de hogares, vehículos, tiendas, garajes u otras áreas cerradas.

**USE SOLAMENTE AL AIRE LIBRE** donde está bien ventilado.

## **ADVERTENCIA**

Este manual de instrucciones contiene información importante necesaria para el correcto ensamblaje y uso seguro del aparato.

Lea y siga todas las advertencias e instrucciones antes de ensamblar y usar el aparato.

Siga todas las advertencias e instrucciones cuando use la unidad.

Conserve este manual para referencia en el futuro.



Si no sigue estas instrucciones correctamente, podría producirse un peligro de incendio, explosión o quemadura, lo cual podría causar daños a la propiedad, lesiones personales o la muerte.



## **PELIGRO**

### **SI HUELE GAS:**

1. Apague el gas que se dirige al artefacto.
2. Apague cualquier llama abierta.
3. Abra la puerta.
4. Si el olor continúa, aléjese del artefacto y llame inmediatamente a su Departamento de bomberos.

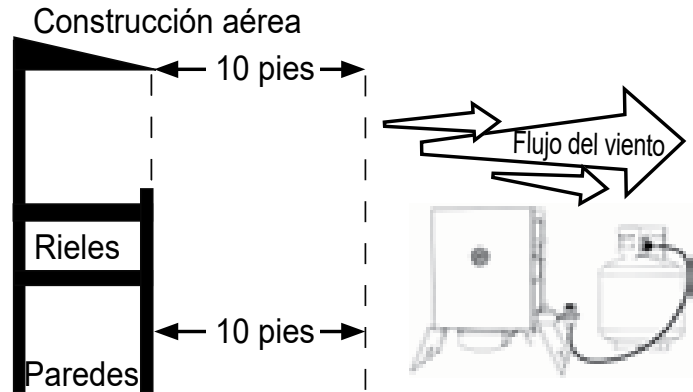
## **PELIGRO**

1. Nunca opere este artefacto desatendido.
2. Nunca opere este artefacto dentro de 10 pies (3 m) de cualquier estructura, material combustible u otro cilindro de gas.
3. Nunca opere este artefacto dentro de 25 pies (7.5 m) de cualquier líquido inflamable.
4. Si ocurriera un incendio, manténgase alejado del artefacto y llame inmediatamente a su estación de bomberos. No intente apagar un incendio de aceite o grasa con agua.

## RECOMENDACIONES DE PROXIMIDAD ESTRUCTURAL Y USO SEGURO

Antes de utilizar cheque la dirección del viento y el lugar del cilindro. FAVOR DEL VIENTO. Esto es necesario para que el sistema de suministro del cilindro quede configurado para la remoción del vapor.

**ADVERTENCIA:**  
EL ADAPTADOR OPCIONAL DE LA MANGUERA ES UN PELIGRO DE TROPIEZO QUE PODRÍA HACER QUE EL CILINDRO DE SUMINISTRO SE VUELQUE.



## ADVERTENCIAS GENERALES E INFORMACIÓN DE SEGURIDAD



### LEA TODAS LAS INSTRUCCIONES

- Siempre use la unidad en conformidad con todos los códigos contra incendios locales, estatales y federales aplicables.
- Antes de cada uso, verifique todas las tuercas, tornillos y pernos para asegurarse que estén firmes y asegurados.
- Nunca opere esta unidad bajo ninguna construcción aérea, como cubiertas de techos, porches de autos, toldos o voladizos.
- La unidad es USO EXTERIOR DEL HOGAR SÓLO.
- Nunca la use dentro de áreas cerradas como patios, garajes, edificios o tiendas.
- Nunca la use dentro o sobre botes o vehículos recreativos.
- Mantenga una distancia mínima de 10 pies (3m) de construcciones aéreas, paredes, rieles u otras estructuras.
- Mantenga un mínimo de 10 pies (3m) de espacio libre de todos los materiales combustibles como madera, plantas secas, césped, escobillas, papel o lienzos.
- Nunca use esta unidad para ninguna otra cosa que no sea su propósito intencionado. Esta

### LAS ADVERTENCIAS Y SALVAGUARDAS IMPORTANTES CONTINÚAN EN LA PÁGINA 28



# **ADVERTENCIAS GENERALES E INFORMACIÓN DE SEGURIDAD**



## **LAS ADVERTENCIAS Y SALVAGUARDAS IMPORTANTES CONTINUAN DESDE LA PAGINA 27**

unidad NO es para uso comercial.

- NO se recomienda usar accesorios adicionales no suministrados por Masterbuilt Manufacturing, LLC; estos podrían causar lesiones.
- El uso de alcohol y de medicamentos con o sin receta pueden obstaculizar la habilidad del usuario de ensamblar u operar correctamente la unidad.
- Conserve un extintor de incendios accesible en todo momento mientras opere la unidad.
- Cuando cocine con aceite o grasa, tenga un extintor tipo BC o ABC a disponibilidad.
- En caso de un incendio de aceite o grasa, no intente extinguirlo con agua. Llame inmediatamente al departamento de bomberos. En ciertos casos, un extintor tipo BC o ABC puede contener el incendio.
- Use la unidad sobre una superficie no combustible y estable tal como tierra, concreto, ladrillo o piedra. Mejor no utilizar una superficie de asfalto (bituminosa) para este propósito.
- La unidad DEBE estar sobre el suelo. No coloque la unidad en mesas o mostradores. NO mueva la unidad por superficies desniveladas.
- No use la unidad en superficies de madera o inflamables.
- Mantenga el área alrededor de la unidad despejada y libre de materiales combustibles, como gasolina y otros vapores y líquidos inflamables.
- No deje la unidad desatendida.
- Mantenga a los niños y mascotas lejos de la unidad en todo momento. NO permita que los niños usen la unidad. Es necesaria una supervisión cercana si hay niños o mascotas en el área donde su usa la unidad.
- NO permita que nadie realice actividades alrededor a esta unidad durante o después de su uso hasta que se haya enfriado.
- Nunca use recipientes de vidrio, plástico o cerámica en la unidad. Nunca coloque utensilios vacíos en la unidad mientras esté en uso.
- Nunca mueva la unidad cuando esté en uso. Deje que la unidad se enfríe completamente (por debajo de los 115°F (45°C) antes de moverla o guardarla.
- Almacene únicamente cuando el fuego esté totalmente apagado y todas las superficies estén frías.
- Nunca utilice esta unidad como un calentador (LEER PELIGRO DE MONÓXIDO DE CARBONO).
- La unidad está CALIENTE mientras está en uso y permanecerá CALIENTE por un cierto período de tiempo y durante el proceso de enfriamiento. Tenga PRECAUCION. Use guantes/mitones de protección.
- Tenga cuidado cuando retire los alimentos de la unidad. Todas las superficies están CALIENTES y pueden causar quemaduras. Use guantes/mitones de protección o herramientas de cocción resistentes para protegerse de las superficies calientes o las salpicaduras de los líquidos de la cocción.
- NO choque o golpee la unidad para evitar lesiones personales, daños a la unidad o derrames/salpicaduras del líquido de cocción caliente.
- No toque las superficies CALIENTES
- La unidad está caliente durante su uso. Para evitar quemaduras, mantenga el rostro y cuerpo lejos de la puerta, tapa y ductos. Se expelen vapor y aire caliente durante el uso.
- Los reguladores de aire están CALIENTES mientras la unidad esté en uso y durante el

## **LAS ADVERTENCIAS Y SALVAGUARDAS IMPORTANTES CONTINUAN EN LA PAGINA 29**



# ADVERTENCIAS GENERALES E INFORMACIÓN DE SEGURIDAD



## LAS ADVERTENCIAS Y SALVAGUARDAS IMPORTANTES CONTINUAN DESDE LA PAGINA 28

enfriamiento; use guantes protectores cuando realice ajustes.

- La unidad tiene una llama abierta. • Mantenga sus manos, cabello y rostro lejos de la llama del quemador. NO se incline sobre el quemador mientras lo esté encendiendo. El cabello y la ropa sueltos pueden incendiarse.
- NO obstruya el flujo de combustión y ventilación.
- No cubra las rejillas de cocción con papel aluminio. Esto atraparé el calor y podría causar daños a la unidad.
- La instalación de la unidad debe estar conforme a los códigos locales o en la ausencia de estos, al Código nacional de gas combustible, ANSIZ223.1/NFPA 54, Almacenamiento y manejo de gases de petróleo licuados, ANSI/NFPA 58 o CSA B149.1, al Código de instalación de gas natural; Almacenamiento y manejo de propano, CSA B149.2; o la Norma para vehículos recreacionales, ANSI A119.2/NFPA 1192; y el Código de vehículos recreacionales, CSA Z240 serie RV, según corresponda.
- Antes de cada uso inspeccione la manguera de gas en busca de signos de daño, si está usando una manguera para el adaptador no incluida en esta unidad.
- Mantenga la manguera de suministro de combustible lejos de cualquier superficie calentada, si está usando una manguera para el adaptador no incluida en esta unidad.
- Mantenga la manguera de suministro de combustible lejos de la unidad cuando esté en funcionamiento, si está usando una manguera para el adaptador no incluida en esta unidad.
- Se DEBE usar el ensamblaje del regulador y la manguera suministrado con esta unidad. Si necesita repuestos, contáctese con el Servicio de atención al cliente de Masterbuilt al: 1-800-489-1581.
- Use un cilindro de gas de 1LB (0.45kgs) (el cilindro no está incluido en esta unidad). Si está usando una manguera para el adaptador no incluida en esta unidad, use un cilindro de gas de 20LB (9kgs) que tenga un anillo protector con esta unidad (cilindro no incluido con la unidad).
- Mantenga las aberturas de ventilación del recinto del cilindro libres y despejadas.
- El cilindro de gas LP que se usa debe estar construido y marcado en conformidad con las especificaciones de cilindros de gas LP del Departamento de Transporte de los EE. UU. (DOT) o la Norma de cilindros, esferas y tubos para el transporte de artículos peligrosos, CAN/CSA-B339.
- Nunca use el cilindro de gas si hay evidencia de ranuras, hendiduras, bultos, daños de incendio, erosión, fugas, óxido excesivo u otras formas de daños externos visibles. Esto puede ser peligroso y el cilindro deberá llevarse a un proveedor de propano líquido para ser revisado.
- Nunca conecte/desconecte el cilindro de gas, mueva o modifique los aditamentos del gas cuando la unidad esté en operación.
- Siempre desconecte el cilindro de gas de la unidad cuando no esté en uso.
- La unidad ha sido diseñada para funcionar únicamente con gas propano. Solo use cilindros de gas que tengan la marca de propano con esta unidad.
- Este producto NO funcionará con gas natural.
- Cuando haya terminado de usar, siempre apague la válvula de control del regulador. Cuando use un tanque de 20LB con una manguera para el adaptador (NO incluida con esta unidad), apague primero la válvula de control del regulador, luego apague la válvula del cilindro de gas, finalmente desconecte el cilindro.
- El gas DEBE apagarse en el cilindro de suministro cuando no esté en uso.

## LAS ADVERTENCIAS Y SALVAGUARDAS IMPORTANTES CONTINUAN EN LA PAGINA 30



# **ADVERTENCIAS GENERALES E INFORMACIÓN DE SEGURIDAD**



## **LAS ADVERTENCIAS Y SALVAGUARDAS IMPORTANTES CONTINUAN DESDE LA PAGINA 29**

- El cilindro DEBE almacenarse en exteriores, fuera del alcance de los niños y NO debe almacenarse en un edificio, garaje u otra área cerrada.
- NO almacene cilindros de repuesto de gas LP bajo o cerca de la unidad. La válvula de alivio de seguridad del cilindro de gas puede sobrecalentarse, permitiendo al gas liberarse causando un incendio, que podría causar la muerte o lesiones graves.
- Nunca llene el cilindro más del 80%, de lo contrario, éste podría liberar gas causando un incendio, que podría causar la muerte o lesiones graves.
- Coloque una tapa guardapolvos en la salida de la válvula del cilindro cuando no esté en uso. Solamente instale la tapa guardapolvos que viene con el cilindro. Otras tapas o tapones podrían causar fugas.
- Si huele, escucha u observa gas escapando, retírese inmediatamente del cilindro de gas y llame al Departamento de bomberos. El fuego puede causar la muerte o lesiones graves.
- Revise los pasos de encendido antes de usar.
- Nunca use líquido de encendedor con propano.
- Se debe usar trozos de madera para producir humo y crear el sabor de ahumado.
- El tazón/bandeja de trozos de madera del tazón de disco de la llama está CALIENTE cuando la unidad está en uso. Use precaución cuando agregue madera.
- Revise la bandeja de grasa con frecuencia durante la cocción. Vacíe la bandeja de grasa antes que se llene. La bandeja de grasa puede necesitar un vaciado frecuente durante la cocción.
- No abra la(s) puerta(s) del ahumador a menos que sea necesario. Abrir la(s) puerta(s) del ahumador hace que el calor se escape, causando mayores tiempos de cocción y estallidos de la madera. Cerrar la(s) puerta(s) volverá a estabilizar la temperatura y detendrá cualquier estallido.
- Este es un ahumador. Se producirá una gran cantidad de humo cuando se usan los trozos de madera. El humo escapará a través de las ranuras y hará que el interior del ahumador se ponga negro. Esto es normal. Para minimizar la pérdida de humo alrededor de la(s) puerta(s), se puede ajustar el seguro para ajustar más el sello de la puerta contra el cuerpo.
- Para ajustar el seguro de la puerta, afloje la tuerca hexagonal en el seguro de la puerta. Gire el gancho hacia la derecha para ajustar como se muestra. Asegure la tuerca hexagonal firmemente contra el seguro de la puerta. (ver diagrama)
- Cuando la temperatura externa sea menor de 65°F (18°C) y/o la altitud mayor de 3,500 pies (1067m), puede ser necesario un tiempo de cocción adicional. Para asegurarse que la carne esté completamente cocida utilice un termómetro para carnes para comprobar la temperatura interna.
- No use perlas de madera.
- Los alimentos necesitan estar en el centro de las rejillas de ahumado. Esto permite que los goteos de los alimentos caigan en la bandeja de agua.
- No deje madera o cenizas antiguas en el tazón/bandeja de trozos de madera del tazón de disco de la llama. Una vez que las cenizas estén frías, vacíe el tazón/bandeja. El tazón/bandeja debe limpiarse antes de y después de cada uso para evitar la acumulación de cenizas y residuos.
- Deseche las cenizas frías colocándolas en papel aluminio, remojándolas en agua y desechándolas en un contenedor no combustible.
- No almacene la unidad con cenizas CALIENTES dentro de la unidad.

## **CONSERVE ESTAS INSTRUCCIONES**

# OPERACIÓN DEL AHUMADOR - LEA Y SIGA TODAS LAS INSTRUCCIONES CUIDADOSAMENTE

## INICIO

- Cure previamente la unidad antes del primer uso. Ver **INSTRUCCIONES DEL CURADO PREVIO**.
- Antes de iniciar la unidad, ver **AGREGAR TROZOS DE MADERA O BLOQUES DE MADERA**.
- El tanque de propano 1 LB tendrá una duración de aproximadamente 5 horas a temperatura baja y 3 horas con el ajuste Mucho.

**PRECAUCIÓN** - Todas las superficies están CALIENTES y pueden causar quemaduras. Utilizar guantes de protección o, robustas herramientas largas para cocinar al cargar / descargar los alimentos o bastidores, y cuando la adición de virutas de madera o agua.

## INSTRUCCIONES DEL CURADO PREVIO

Curar su ahumador hará que la unidad se deshaga de sustancias químicas y aceites dejados por el proceso de fabricación, permitiendo que se quemen y desvanezcan.

### CURE PREVIAMENTE SU AHUMADOR ANTES DEL PRIMER USO.

1. Realice la prueba de agua jabonosa, ver **ADVERTENCIAS Y PROCEDIMIENTOS DE LA PRUEBA DE AGUA JABONOSA**.
2. Con una servilleta o paño, frote una delgada capa de aceite de cocina sobre las rejillas de ahumado y dentro de la puerta del ahumador. Asegúrese que la bandeja de agua esté en su lugar SIN AGUA.
3. Llene la bandeja de trozos de madera con hasta 1/2 taza (0.12l) de trozos de madera o bloques de madera y encienda el ahumador. Cierre la puerta.
4. Iniciar fumador, ver **INSTRUCCIONES DE ENCENDIDO** y dejar que el fumador se quema durante aproximadamente 1 hora. Hacer seguro de la temperatura se levanta a 350 ° F (177 ° C) .
5. Deje que la unidad se enfríe COMPLETAMENTE.
6. Vuelva a aplicar una delgada capa de aceite de cocina sobre las rejillas de ahumado y dentro de la puerta del ahumador.
7. Reinicie el ahumador y deje quemar por 20 minutos.
  - *Cure su ahumador periódicamente para evitar la oxidación excesiva.*

## AGREGAR TROZOS DE MADERA O BLOQUES DE MADERA

1. Es opcional remojar previamente los trozos de madera o bloques de madera en agua para lograr el sabor de ahumado deseado. Para remojar previamente los trozos de madera o bloques de madera, colóquelos en agua al menos por 30 minutos.
2. **NO AGREGUE MÁS DE 1/2 TAZA (0.12l) DE TROZOS DE MADERA O BLOQUES DE MADERA A LA VEZ. Nunca use perlas de madera.**
3. Coloque los trozos de madera o bloques de madera adicionales en el ahumador según sea necesario para lograr el sabor de ahumado deseado.
  - *Se debe usar trozos de madera o bloques de madera para producir humo y crear el sabor de ahumado.*

## INSTRUCCIONES DE OPERACIÓN

1. Para iniciar fumador ver **INSTRUCCIONES DE ENCENDIDO**.
2. Con guantes de protección sobre, colocar el recipiente de agua en posición. Vierta 1 pulgada de agua, jugo o vinagre en un tazón de agua. Esto agregará sabor y la humedad de los alimentos y evitar que se reseque.
3. No incluyen los bastidores con papel de aluminio, ya que no permitirá que el calor circule correctamente.
4. Hábitos de precalentamiento durante 30 a 45 minutos a temperatura máxima de carga antes de las comidas.
5. Coloque los alimentos en el fumador, posición en el centro de la parrilla de fumar.

## OPERACIÓN DEL AHUMADOR - LEA Y SIGA TODAS LAS INSTRUCCIONES CUIDADOSAMENTE

6. No sobrecargue fumador con alimentos. grandes cantidades adicionales de alimentos pueden atrapar el calor, prolongar el tiempo de cocción y causar una cocción desigual. Deje espacio entre los alimentos en bastidores y los lados fumador para asegurar una circulación adecuada del calor. Si la utilización de ollas, sartenes en lugar Centro de la parrilla para asegurar una cocción uniforme.
7. Para obtener los mejores resultados, gire bastidores entre las posiciones superior e inferior durante la cocción.
8. Ajustar la configuración de fumador, el mando de control del regulador y amortiguadores de aire, a la temperatura de cocción deseada.
  - Cierre todas las compuertas de aire de la unidad para retener la humedad y el calor. Si va a cocinar alimentos como el pescado o carne seca, compuertas de aire se abren para liberar la humedad.
9. Si las astillas de madera o bloques de madera no fuman en el ajuste bajo, aumentar la temperatura a 275 °. Después de 8 a 10 minutos o cuando astillas de madera o bloques de madera empiezan a arder, reducir la temperatura en la posición deseada baja.
10. Tenga cuidado al cocinar en días de viento para asegurar que la llama no sopla hacia fuera. Si sospecha o experimenta una llama soplar, primero abra la puerta para comprobar la llama y siga las instrucciones de ignición para volver a encender el quemador si es necesario. Ajustar la posición de la perilla de control del regulador para una llama más alta para evitar nuevos estallidos. Nunca encender fumador con la puerta cerrada.
11. Temperaturas frías extremas pueden extender los tiempos de cocción.
12. Una vez que la cocina es la unidad de giro completo OFF, ver **INSTRUCCIONES DE ENCENDIDO** para apagar la unidad, retire el cilindro de gas y siga las **INSTRUCCIONES DE LIMPIEZA Y ALMACENAMIENTO**. LIMPIE DESPUÉS DE CADA USO. Esto extenderá la vida de su ahumador y evitará el moho y los hongos.

### INSTRUCCIONES DE LIMPIEZA Y ALMACENAMIENTO

- SIEMPRE ASEGÚRESE QUE LA UNIDAD ESTÉ FRÍA AL TACTO ANTES DE LIMPIAR Y ALMACENAR.
- Asegúrese de limpiar el ahumador después de cada uso. Asegúrese que el cilindro de gas se haya apagado y retirado.
- Para los soportes de la rejilla, rejillas, bandeja de agua y bandeja de goteo, use un detergente para platos suave. Enjuague y seque exhaustivamente.
- Para la bandeja con los trozos de madera, limpie frecuentemente para retirar la acumulación, los residuos y el polvo.
- Deseche las cenizas frías colocándolas en papel aluminio, remojándolas en agua y desechándolas en un contenedor no combustible.
- Para el interior, exterior y sello de la puerta de la unidad, simplemente limpie con un paño luego de cada uso para mantener la unidad en óptimas condiciones de funcionamiento. No use agentes de limpieza caseros. Asegúrese de secar exhaustivamente.
- Luego de la limpieza, almacene el ahumador en un área cubierta y SECA.
- Almacene únicamente cuando el fuego esté totalmente apagado y todas las superficies estén frías.
- Cuando no lo use con frecuencia y tenga una cubierta, recuerde revisar su ahumador periódicamente para evitar posible óxido y corrosión debido a la acumulación de humedad.

## **ADVERTENCIA**

**REALICE LA "PRUEBA DE AGUA JABONOSA" ANTES DE CADA USO. VER SECCIÓN DE "PRUEBA DE AGUA JABONOSA" EN EL MANUAL. APAGUE TODAS LAS LLAMAS ABIERTAS ANTES DE CONECTAR EL REGULADOR AL CILINDRO DE GAS. APAGUE EL GAS DESPUÉS DE CADA USO.**

### **ADVERTENCIAS Y PROCEDIMIENTOS DE LA PRUEBA DE AGUA JABONOSA**

#### **ADVERTENCIAS**

- La prueba de agua jabonosa DEBE realizarse cada vez que se conecta el cilindro de gas al quemador/a la manguera o cada vez que se usa.
- La prueba de agua jabonosa DEBE realizarse en exteriores, en un área bien ventilada.
- Al realizar la prueba de agua jabonosa mantenga el ahumador lejos de llamas abiertas, chispas o cigarrillos prendidos.
- Nunca use una llama abierta para probar fugas de gas.

#### **PREPARACIÓN:**

- Retire todo utensilio y accesorio de cocina de la unidad.
- Asegúrese que el regulador y la válvula del cilindro de gas estén apagados.
- Prepare la solución de agua jabonosa: (1) parte de líquido lavaplatos (o más, si desea), (3) partes de agua.
- Aplique la solución de agua jabonosa a la válvula del cilindro de gas, al regulador y a la manguera.

#### **Para el tanque de propano de 1LB:**

- Asegúrese que el regulador ajustable en el ahumado esté apagado.
- Conecte el cilindro de gas al regulador ajustable. Encienda el regulador ajustable y revise si hay burbujas en la conexión y el lugar del orificio del regulador. **NO DEJE EL GAS ENCENDIDO POR MÁS DE 12 SEGUNDOS.**
- Si aparecen burbujas, pare, apague el regulador ajustable y reajuste la conexión por donde se fuga el gas. Repita la prueba.
- Cuando la prueba esté lista y si no hay fugas, espere como mínimo 5 minutos para que disminuyan los vapores del gas antes de encender el quemador.

#### **Para el tanque de propano de 20LB (9kgs) con uso del adaptador de la manguera (no incluida con esta unidad):**

- Asegúrese que la válvula del cilindro de gas y del regulador ajustable estén apagadas.
- Conecte el adaptador de la manguera al cilindro de gas y conecte el adaptador de la manguera al regulador ajustable. Encienda la válvula del cilindro de gas y el regulador ajustable y verifique si hay burbujas en la válvula de cilindro de gas, a todo lo largo de la manguera, en la conexión de la manguera con el regulador ajustable y en la conexión del orificio del regulador. **NO DEJE EL GAS ENCENDIDO POR MÁS DE 12 SEGUNDOS.**
- Si aparecen burbujas, pare, apague la válvula del regulador, apague la válvula del cilindro de gas y reajuste la conexión por donde se fuga el gas. Si la manguera es la fuente de la fuga, **PARE, no use la unidad. La manguera debe reemplazarse.**
- Cuando la prueba esté lista y si no hay fugas, espere como mínimo 5 minutos para que disminuyan los vapores del gas antes de encender el quemador.

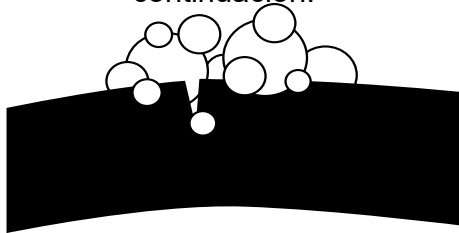
## ADVERTENCIAS Y PROCEDIMIENTOS DE LA PRUEBA DE AGUA JABONOSA

DURANTE CUALQUIER PARTE DE LA PRUEBA DE AGUA JABONOSA, SI CONTINÚAN APARECIENDO BURBUJAS PARE, NO USE LA UNIDAD. CONTACTE A SU REPRESENTANTE LOCAL DE PROPANO O AL SERVICIO DE ATENCIÓN AL CLIENTE DE MASTERBUILT AL 1-800-489-1581.

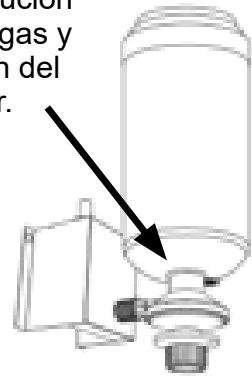
**Nota:** Use un cilindro de gas de 1LB (0.45kgs) con esta unidad. Se puede usar un cilindro de gas de 20LB (9kgs) que tenga un anillo protector con una manguera de adaptador de 20LB (9kgs).

El cilindro y la manguera del adaptador NO vienen incluidos con esta unidad.

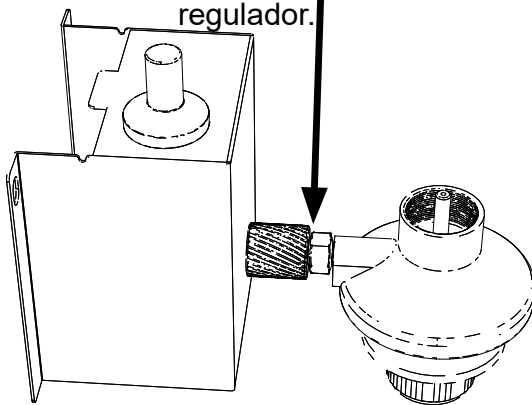
Una prueba fallida presentará burbujas como se muestra a continuación.



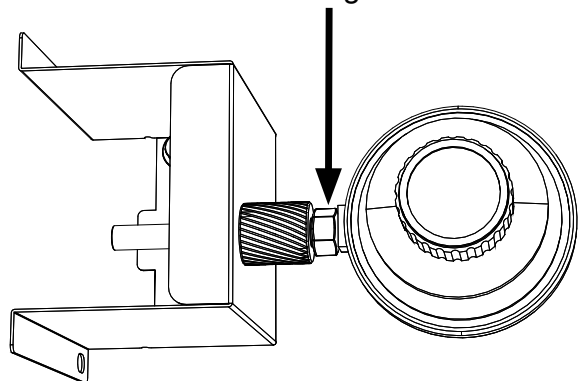
Aplique la solución al cilindro de gas y a la conexión del regulador.



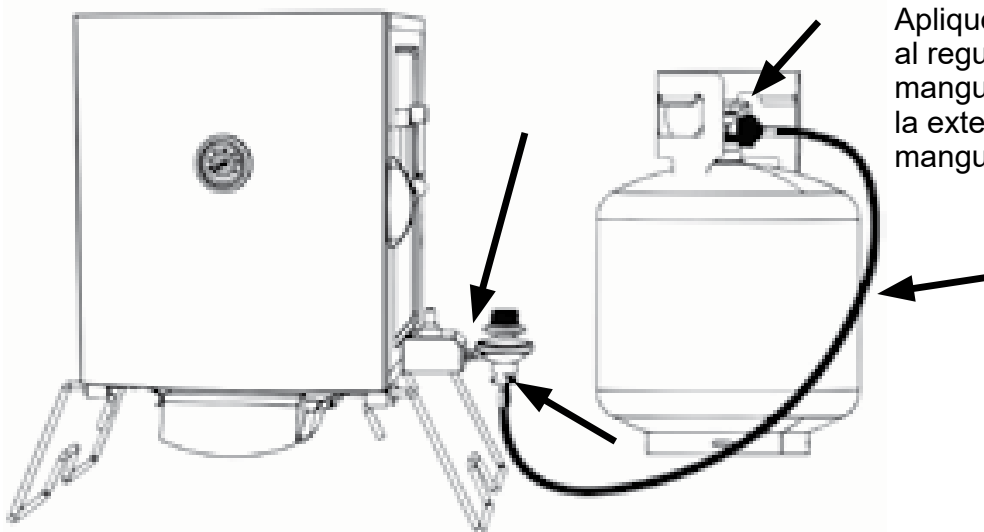
Aplique la solución al lugar del orificio del regulador.



Aplique la solución bajo la conexión del orificio del regulador.



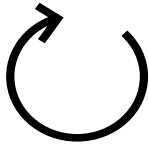
Aplique la solución al regulador de la manguera y a toda la extensión de la manguera



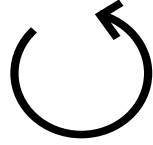
# INSTRUCCIONES DE ENCENDIDO

## CONEXIÓN Y OPERACIÓN DEL REGULADOR, QUEMADOR Y VÁLVULA DE GAS

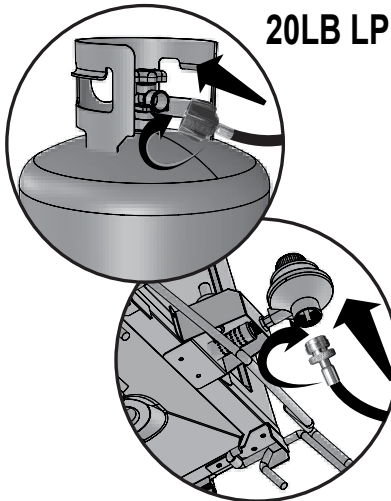
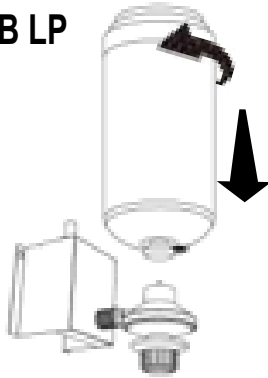
HACIA LA DERECHA



HACIA LA IZQUIERDA



1LB LP



20LB LP

### ¡IMPORTANTE!

Para apagar el flujo de gas desde el tanque, ¡siempre asegúrese que la perilla de control del regulador esté **ARRIBA** cuando esté en la posición de apagado! Una vez que la perilla de control esté arriba, pase a la posición desconectada (LOCK OFF) para asegurarse que la perilla de control no se presione causando un flujo de gas accidental.

- Inspeccione la manguera antes de cada uso si está usando una manguera para el adaptador, no incluida en esta unidad. Si hay señales de abrasión, desgaste, cortes o fugas, reemplace la manguera. **NO USAR.**
- Inspeccione el quemador antes de cada uso. Revise el quemador y el tubo del quemador en busca de insectos y nidos de insectos. Un tubo obstruido puede conllevar a un incendio debajo del aparato.
- Revise para ver si el orificio está centrado dentro del tubo del quemador. Si no ensambla el orificio de la válvula correctamente al tubo del quemador, puede haber un escape de gas o un incendio potencial en la conexión. Ver pasos de ensamblaje para la alineación y el método de ensamblaje correctos.
- **Conecte el regulador ajustable a un cilindro de gas LP de 1LB:**
  1. Asegúrese que la perilla de control del regulador en la válvula del regulador esté en posición desconectada (LOCK OFF).
  2. Retire la tapa protectora del cilindro de gas y la tuerca de acople, de ser aplicable.
  3. Centre e inserte la boquilla del regulador en la salida de la válvula en el cilindro de gas como se muestra en la figura de la izquierda. Gire la tuerca del acople del regulador hacia la derecha hasta que pare. **NO AJUSTAR DEMASIADO.**
- **Si está usando un adaptador para la manguera (no incluida en esta unidad), conecte el adaptador de la manguera a un cilindro de gas LP de 20LB:**
  1. Asegúrese que la válvula del cilindro de gas esté cerrada. Gire la válvula hacia la derecha hasta que pare.
  2. Asegúrese que el regulador ajustable en el ahumador se encuentre en posición de APAGADO.
  3. Retire la tapa protectora del cilindro de gas y la tuerca de acople, de ser aplicable.
  4. Centre e inserte la boquilla del adaptador de la manguera en la salida de la válvula en el cilindro de gas, como se muestra en la figura de la izquierda. Gire la tuerca del acople del regulador hacia la derecha hasta que pare. **NO AJUSTAR DEMASIADO.**
  5. Centre e inserte la boquilla del adaptador de la manguera en el regulador ajustable en el ahumador, como se muestra en la figura de la izquierda. Gira el acople del adaptador de la manguera hacia la derecha hasta que pare. **NO AJUSTAR DEMASIADO.**
- Realice la prueba de agua jabonosa.
- Antes de iniciar el procedimiento de encendido, asegúrese que la puerta del ahumador esté abierta.
- Cuando encienda el quemador, retire todas las partes internas de la unidad para evitar una explosión debido a la acumulación de gas.
- Para usar con un tanque de propano de 1LB, empuje el regulador ajustable dentro y haga 1/4 de giro a la izquierda hasta la configuración de ALTO (HIGH). Presione el botón del arrancador para encender.



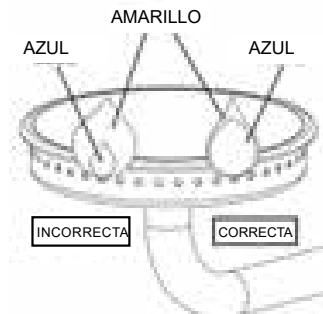
# INSTRUCCIONES DE ENCENDIDO

## CONEXIÓN Y OPERACIÓN DEL REGULADOR, QUEMADOR Y VÁLVULA DE GAS

- Para usar con un tanque de propano de 20LB, usando el adaptador de la manguera, no incluida con esta unidad, conecte el adaptador de la manguera al cilindro de gas de LP de 20LB, encienda la válvula del cilindro de gas, empuje el regulador ajustable dentro y haga 1/4 de giro a la izquierda hasta la configuración de ALTO (HIGH). Presione el botón del arrancador para encender.
- Desde la posición desconectada (LOCK OFF), gire la perilla de control del regulador a la izquierda hasta la posición de apagado, empuje la perilla de control del regulador gire a la izquierda hasta la posición de ALTO (HIGH). Presione el botón del arrancador para encender.
- Si no ocurre la ignición dentro de cinco segundos, apague el flujo de gas girando la perilla de control del regulador a la derecha, a la posición de BAJO (LOW). Presione hacia abajo la perilla de control del regulador y gire a la derecha hasta la posición de apagado, permitiendo que la perilla de control del regulador "salte hacia arriba", como se muestra a continuación. Espere cinco minutos y repita los procedimientos de encendido. Si aun así, no se da la ignición, lea LAS INSTRUCCIONES PARA EL ENCENDIDO CON FÓSFOROS.
- Siempre asegúrese que la(s) puerta(s) del ahumador esté(n) abierta(s) antes de encenderlo. Se puede acumular gas en el ahumador.
- Si la llama baja durante la cocción, apague el flujo de gas girando la perilla de control del regulador a la derecha, a la posición de BAJO (LOW). Presione hacia abajo la perilla de control del regulador y gire a la derecha hasta la posición de apagado, permitiendo que la perilla de control del regulador "salte hacia arriba", abra la puerta u espere 5 minutos, luego repita las instrucciones de encendido.
- Después del uso, gire la válvula del regulador ajustable hasta que se apague y desconecte el tanque, si está usando un adaptador de manguera apague el regulador ajustable, luego apague la válvula del cilindro de gas y desconecte y retire el cilindro de gas.

## INSTRUCCIONES PARA EL ENCENDIDO CON FÓSFOROS

1. Lea todas las instrucciones y advertencias antes del encendido.
2. Revise la perilla de control del regulador en la válvula del regulador para asegurarse que esté en posición desconectada (LOCK OFF), antes de conectarla al cilindro de gas.
3. Realice la prueba de agua jabonosa antes de cada uso.
4. Abra la puerta antes del encendido, retire todos los accesorios y recipientes de cocción que estén dentro o sobre la unidad.
5. Desde la posición desconectada (LOCK OFF), gire la perilla de control del regulador a la izquierda hasta la posición de apagado, empuje la perilla de control del regulador gire a la izquierda hasta la posición de ALTO (HIGH).
6. Coloque un fósforo largo o una vela a través del orificio de encendido lo suficientemente cerca como para que el quemador se prenda.
  - **La válvula de la perilla de control del regulador ajusta la llama del quemador.** Gire la perilla de control del regulador hacia la derecha para reducir la llama. Gire la perilla de control del regulador hacia la izquierda LENTAMENTE para aumentar la llama. Gire la perilla de control del regulador hacia la derecha a la posición de BAJO (LOW). Presione hacia abajo la perilla de control del regulador y gire a la derecha hasta la posición de apagado, permitiendo que la perilla de control del regulador "salte hacia arriba" para apagar la llama.
  - **Verifique visualmente la llama del quemador.** Una LLAMA CORRECTA debe ser azul con una pequeña porción de amarillo en la punta. Una LLAMA INCORRECTA es excesivamente amarilla e irregular. Si se da una llama incorrecta, gire la perilla de control del regulador hacia la derecha a la posición de BAJO (LOW). Presione hacia abajo la perilla de control del regulador y gire a la derecha hasta la posición de apagado, permitiendo que la perilla de control del regulador "salte hacia arriba". Deje que la unidad se enfríe y luego limpie el quemador. Deje que el quemador se seque completamente antes de volver a encenderlo.
7. Si no ocurre la ignición dentro de cinco segundos, apague el flujo de gas girando la perilla de control del regulador a la derecha, a la posición de BAJO (LOW). Presione hacia abajo la perilla de control del regulador y gire a la derecha hasta la posición de apagado, permitiendo que la perilla de control del regulador "salte hacia arriba". Espere cinco minutos e intente otra vez.
8. Después del uso, gire la perilla de control del regulador a la posición de BAJO (LOW). Presione hacia abajo la perilla de control del regulador y gire a la derecha hasta la posición de apagado, permitiendo que la perilla de control del regulador "salte hacia arriba" y siga girando hacia la derecha a la posición desconectada (LOCK OFF) para bloquear la perilla de control del regulador en la posición de arriba. Desconecte y retire el cilindro de gas.





# ADVERTENCIA

En caso que no se pueda detener una fuga de gas, o si ocurre un incendio debido a una fuga de gas, llame a la estación de bomberos.

Emergencia	Causa	Solución posible
Fuga de gas desde la manguera fisurada, cortada o quemada	Manguera dañada	Apague el gas en el cilindro de LP.
		Reemplace la manguera.
		Contacte a Masterbuilt al 1.800.489.1581.
Fuga de gas desde el cilindro de LP	Falla debido a óxido o equipo mal manejado	Reemplace el cilindro de LP.
Fuga de gas desde la válvula del cilindro de gas	Falla de la válvula debido al óxido, falla mecánica o equipo mal manejado	Apague la válvula del cilindro de gas y retorne el cilindro al proveedor de gas.
Hay una fuga de gas entre el cilindro de LP y la conexión del regulador	Instalación incorrecta, la conexión no está lo suficientemente ajustada, roscas dañadas o sello de hule dañado	Apague la válvula del cilindro de gas, luego vuelva a fijar el regulador al cilindro.
		Apague la válvula del cilindro de gas y retorne el cilindro al proveedor de gas.
		Inspeccione visualmente el sello de hule en busca de daños.
Fuego bajo el panel de control	Incendio en el tubo del quemador debido a bloqueo del quemador.	Apague la perilla de control del quemador y la válvula del cilindro de LP. Una vez que el fuego se haya apagado y el quemador se haya enfriado, retire e inspeccione el quemador en busca de arañas, nidos, óxido u otros escombros.
Fuego de grasa o llama excesiva/continua	Acumulación de grasa sobre o alrededor del área del quemador	Apague la perilla de control del quemador y la válvula del cilindro de LP. Deje que las llamas se apaguen y algo de tiempo para que la unidad se enfríe. Limpie las partículas de grasa/alimentos alrededor del quemador o área del quemador y superficies circundantes.

## GUÍA PARA LA DETECCIÓN Y RESOLUCIÓN DE PROBLEMAS

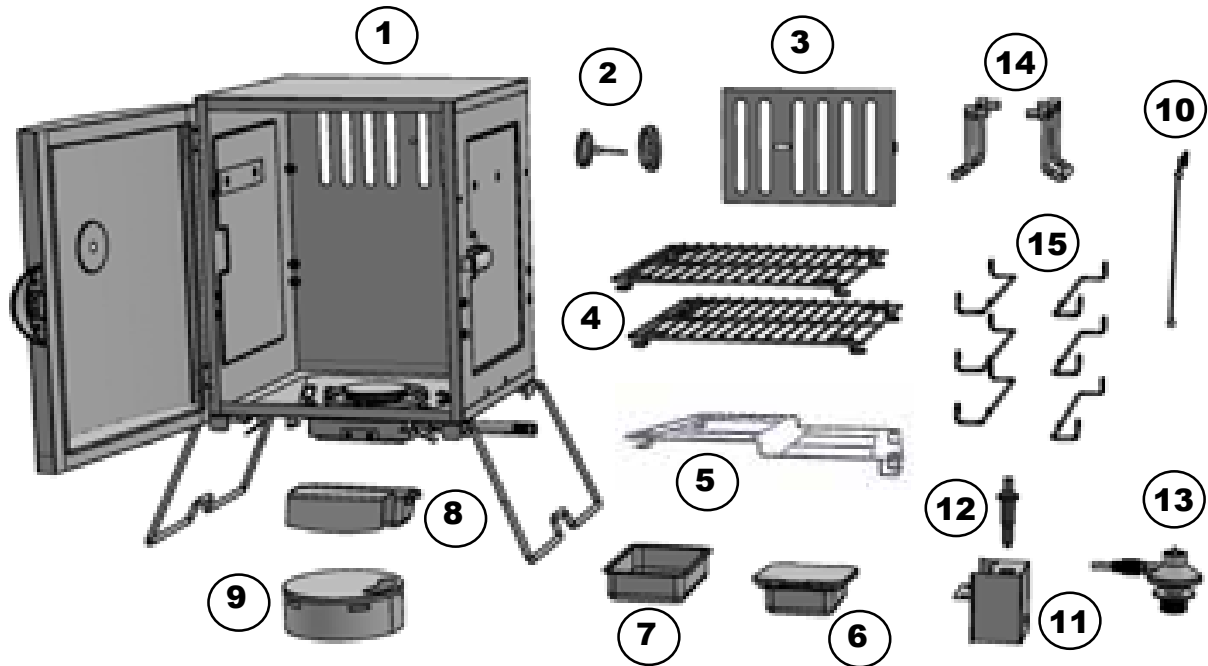
Problema	Causa	Solución posible
Baja salida de llama*	Se agotó el combustible	Rellene o reemplace con un cilindro de LP lleno.
Las llamas se apagan con el aire*	Bajo gas LP	Rellene el cilindro de LP.
Explosión	Acumulación excesiva de grasa	Limpie el quemador y dentro de la unidad.
	Exceso de grasa en la carne	Corte y retire la grasa de la carne.
	Temperatura de cocción demasiado alta	Ajuste o baje la temperatura como corresponda.
Incendio persistente de grasa	Grasa atrapada por acumulación de alimentos alrededor del sistema del quemador	Apague la perilla de control del quemador y la válvula del cilindro de LP. Deje que el fuego se apague y que la unidad se enfríe. Luego que se haya enfriado, retire y limpie las partes.
Explosión (fuego en el tubo del quemador).	El quemador y/o el tubo del quemador están bloqueados.	Apague la perilla de control del quemador y la válvula del cilindro de LP. Limpie el quemador y/o el tubo del quemador.
Más lento que los tiempos de cocción esperados*	La válvula no está alineada correctamente con el quemador	Verifique para ver si la válvula está centrada en el tubo del quemador.

\* También vea las soluciones de la Detección de problemas: "Causa" poco o nada de flujo/bloqueo de vapor/exceso de flujo a la parte inferior.

## SOLUCIONES DE LA DETECCIÓN DE PROBLEMAS: "CAUSA" POCO O NADA DE FLUJO/BLOQUEO DE VAPOR/EXCESO DE FLUJO

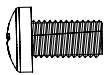
Problema	Causa	Solución posible
El quemador no se enciende luego de presionar el botón arrancador	Bajo/nada de flujo de gas	<ol style="list-style-type: none"> <li>1. Gire la perilla de control del quemador a la posición de "Off".</li> <li>2. Gire la perilla de la válvula del cilindro de gas a "OFF".</li> <li>3. Desconecte el regulador del cilindro para aliviar el bloqueo de vapor.</li> <li>4. Reconecte el regulador al cilindro a mano girando hasta que esté ajustado.</li> <li>5. Abra ligera y lentamente la válvula del cilindro de gas y luego ábrala más con un giro completo.</li> <li>6. Ahora está listo para encender el ahumador.</li> <li>7. Gire la perilla de control del quemador a alto y encienda con el arrancador.</li> </ol>
	Bloqueo del vapor en la tuerca del acoplamiento al cilindro de LP	
Baja salida de llama	Activación de la válvula de flujo excesivo	
	Bloqueo del vapor en la conexión de la tuerca del acoplamiento/cilindro de LP	
Las llamas se apagan con el aire	Activación de la válvula de flujo excesivo	
Más lento que los tiempos de cocción esperados	Bloqueo de vapor	

# PARTS/ PIÈCES / DE PARTES



NO/Nº NO	QTY/QTÉ./ CANT.	DESCRIPTION	DESCRIPTION	DESCRIPCIÓN
1	1	Smoker Body	Fumoir	Cuerpo del ahumador
2	1	Temperature Gauge with Bezel	Jauge de température avec lunette	Medidor de temperatura Bisel Con
3	1	Air Damper	Clapet d'aération	Regulador de aire
4	2	Smoking Rack	Grille de fumage	Rejilla para ahumar
5	1	Water Bowl Support Rack	Grille-support du réservoir d'eau	Bandeja de soporte del tazón de agua
6	1	Wood Chip Tray	Bac à copeaux de bois	Bandeja de trozos de madera
7	1	Water Bowl	Cuvette d'eau	Tazón de agua
8	1	Grease Tray	Bac à graisse	Bandeja de grasa
9	1	Heat Shield	Écran thermique	Protector contra el calor
10	1	Match stick	Allumette	Partido palo
11	1	Regulator Bracket	Régulateur Support	Soporte Regulador
12	1	Ignitor	Bouton d'allumage	El botón del encendedor
13	1	Regulator/Valve	Détendeur / Robinet	Regulador / Válvula
14	2	Handle	Manipuler	Manejar
15	6	Rack Support	Support des grilles	Soporte de estante

# HARDWARE / QUINCAILLERIE / ACCESORIOS



**(A)**  
Qty- 1/Qté.- 1  
Cant.- 1



**(B)**  
Qty- 1/Qté.- 1  
Cant.- 1



**(C)**  
Qty- 4/Qté.- 4  
Cant.- 4



**(D)\***  
Qty- 1/Qté.- 1  
Cant.- 1

\* Hardware not included in blister pack. This hardware comes pre-packaged with the product.

\* Matériel non inclus sous blister. Ce matériel est livré pré- emballé avec le produit.

\* El hardware no incluido en blister. Este hardware viene pre- empaquetado con el producto.

- **BEFORE ASSEMBLY READ ALL INSTRUCTIONS CAREFULLY.**
- **ASSEMBLE UNIT ON A CLEAN, FLAT SURFACE.**
- **TOOLS NEEDED: Adjustable Wrench, Phillips Head Screwdriver**
- **APPROXIMATE ASSEMBLY TIME: 10 minutes**
- \* **Actual product may differ from picture shown.**

- **AVANT L'ASSEMBLAGE, LIRE ATTENTIVEMENT TOUTES LES INSTRUCTIONS.**
- **ASSEMBLER L'APPAREIL SUR UNE SURFACE PLANE ET PROPRE.**
- **OUTILS NÉCESSAIRES : Clé ajustable et tournevis Phillips**
- **TEMPS APPROXIMATIF D'ASSEMBLAGE : 10 minutes**
- \* **Le produit réel peut être différent de l'image.**

- **ANTES DEL ENSAMBLAJE LEA TODAS LAS INSTRUCCIONES CUIDADOSAMENTE.**
- **ENSAMBLE LA UNIDAD EN UNA SUPERFICIE LIMPIA Y PLANA.**
- **HERRAMIENTA NECESARIA: Llave ajustable y destornillador de cabeza Phillips**
- **TIEMPO APROXIMADO DE LA ASAMBLEA: 10 minutos**
- \* **El producto real puede diferenciar de la imagen demostrada.**



**DO NOT RETURN TO RETAILER** for assembly assistance, missing or damaged parts. Please contact MASTERBUILT customer service at 1-800-489-1581. Please have the model number and serial number available. These numbers are located on the silver rating label on the unit.



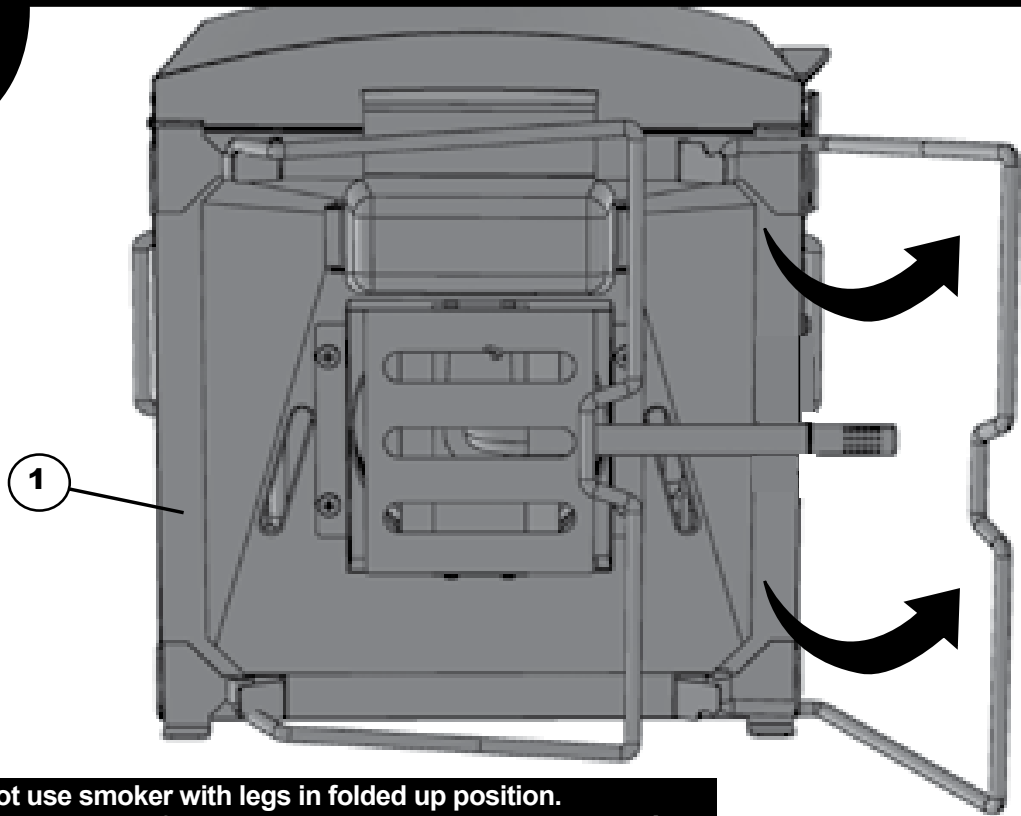
**NNE PAS RETOURNER AU DÉTAILLANT** pour l'assistance d'assemblage, pièces manquantes ou endommagées. S'il vous plaît contacter le service à la clientèle au 1-800-489-1581. S'il vous plaît avoir le numéro de modèle et le numéro de série. Ces numéros se trouvent sur la plaque signalétique de l'argent sur l'unité.



**NO REGRESE A DISTRIBUIDOR** para ayuda con el montaje, partes faltantes o dañados. Por favor, póngase en contacto con el servicio al cliente al 1-800-489-1581. Tenga a mano los números de modelo y número de serie. Estos números se encuentran en la placa de plata en la unidad.

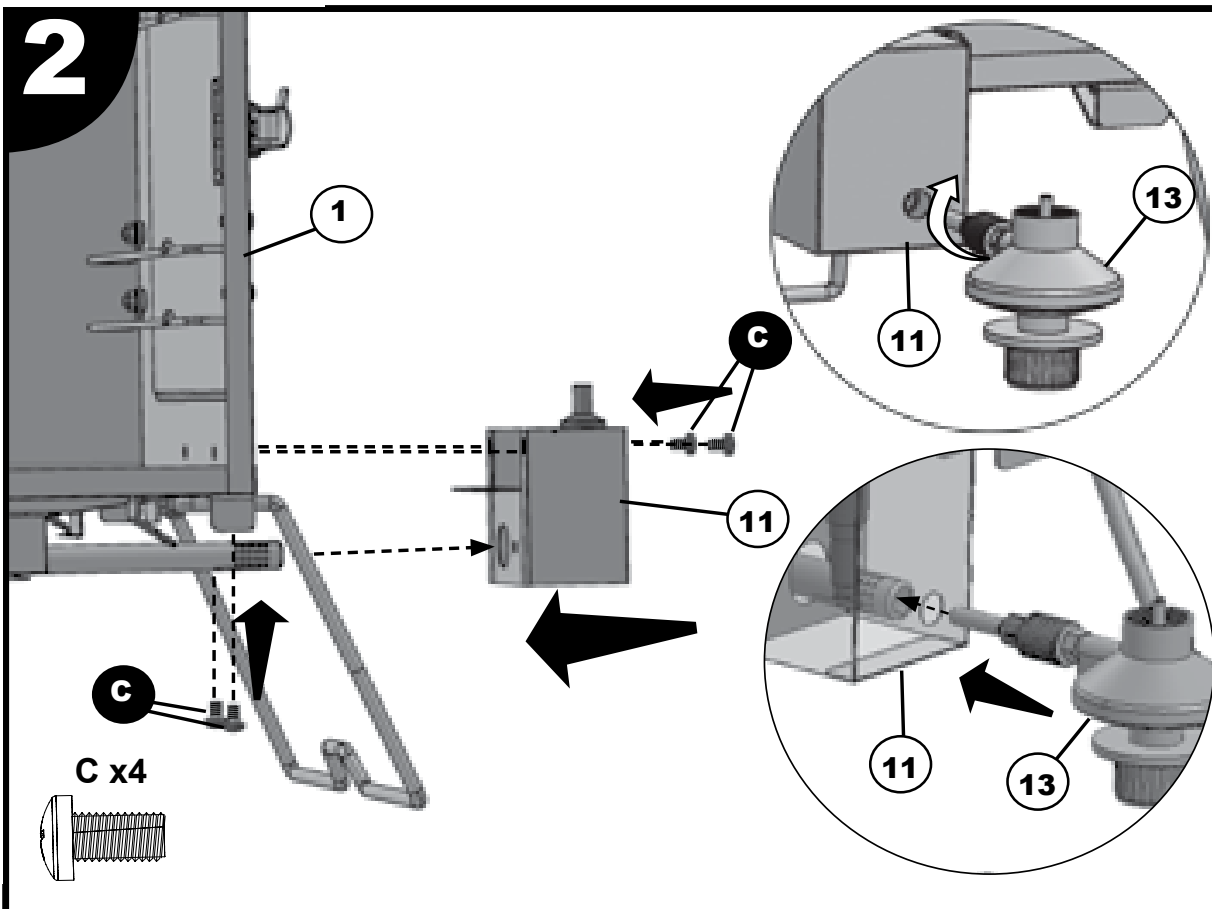
# ASSEMBLY / ASSEMBLAGE / ENSAMBLAJE

## 1

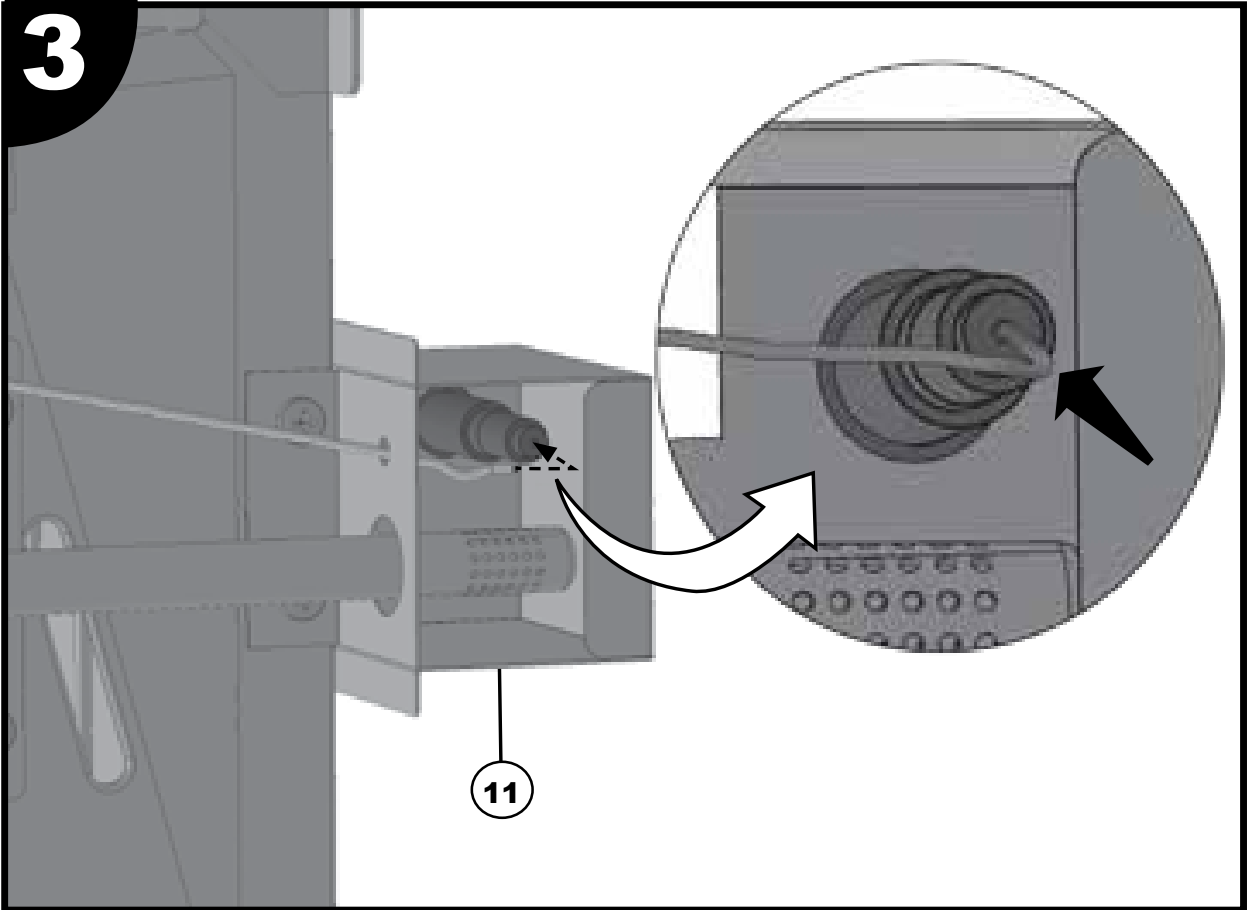


Do not use smoker with legs in folded up position.  
Ne pas utiliser de fumer avec les jambes en position repliée.  
No utilice ahumador con las piernas en posición plegada.

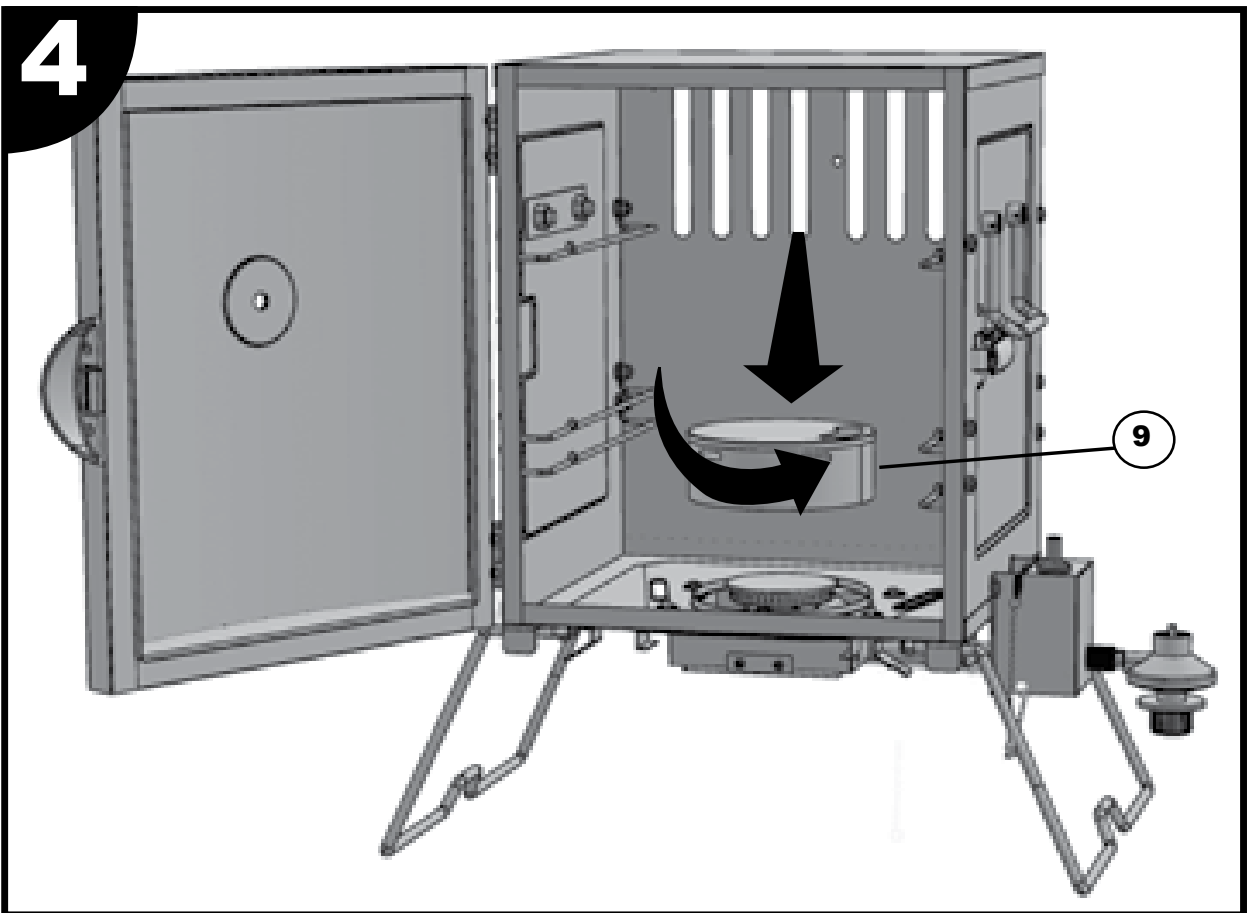
## 2



3

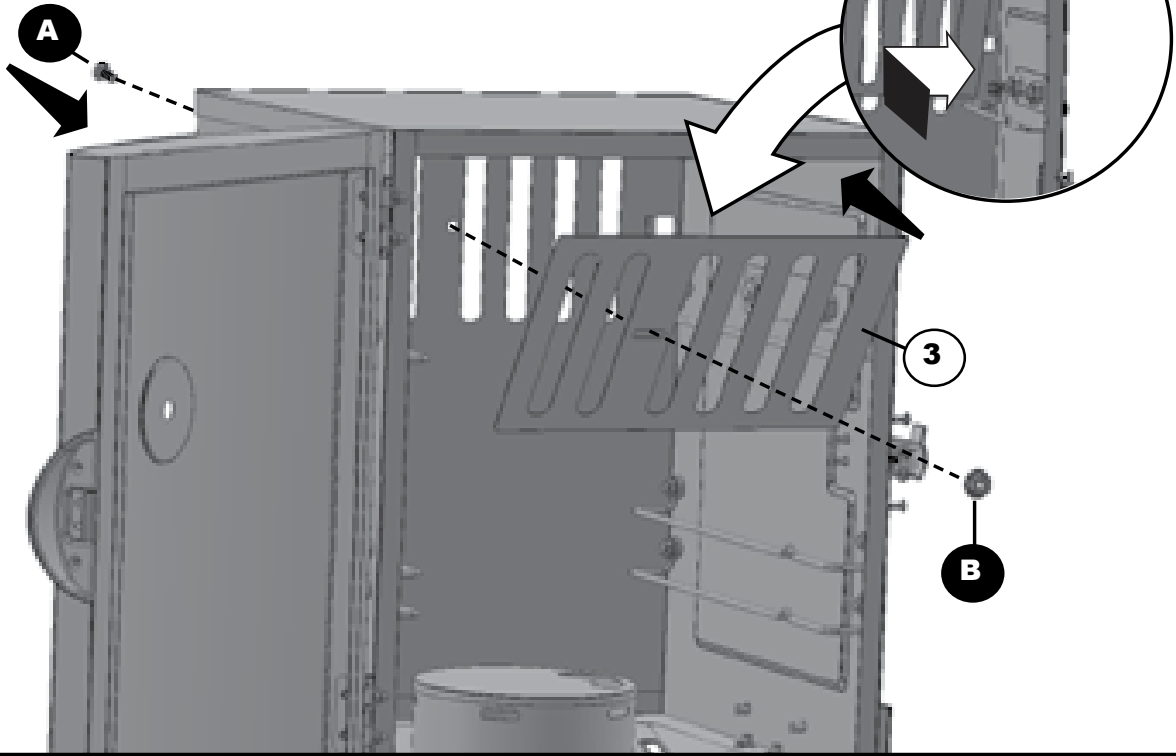
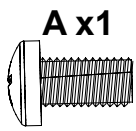


4

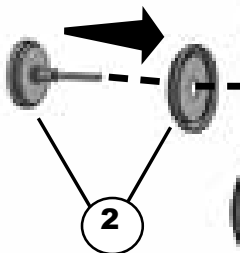


# ASSEMBLY / ASSEMBLAGE / ENSAMBLAJE

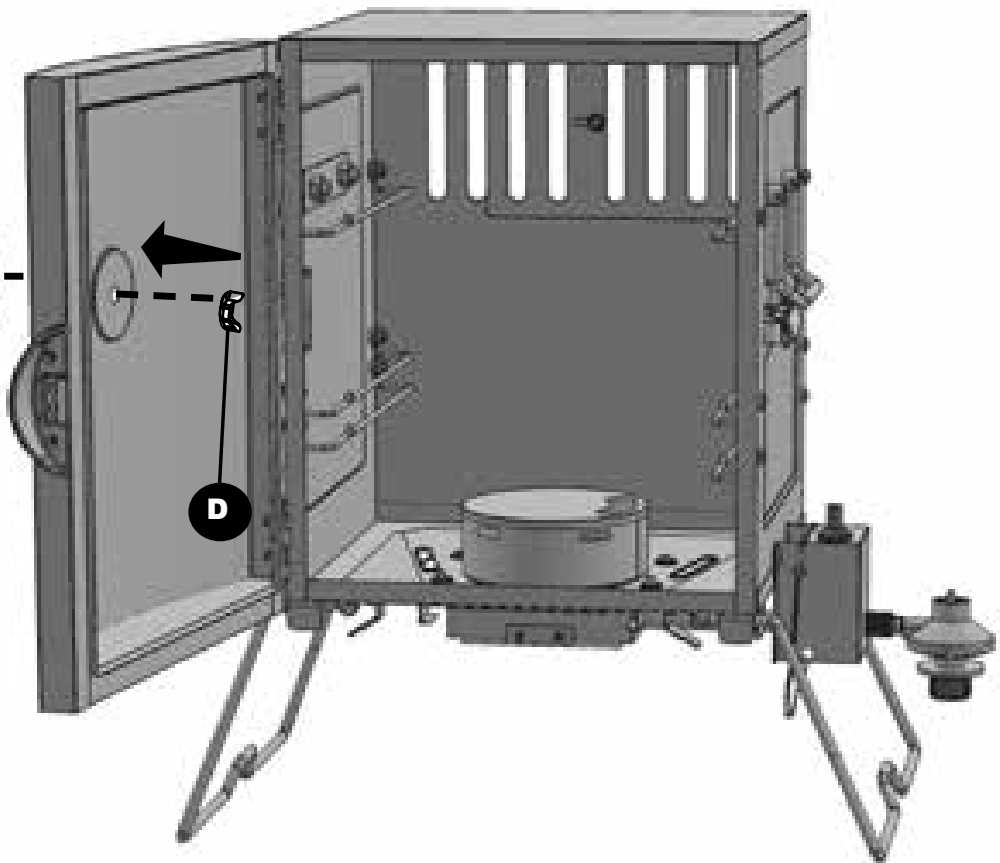
**5**



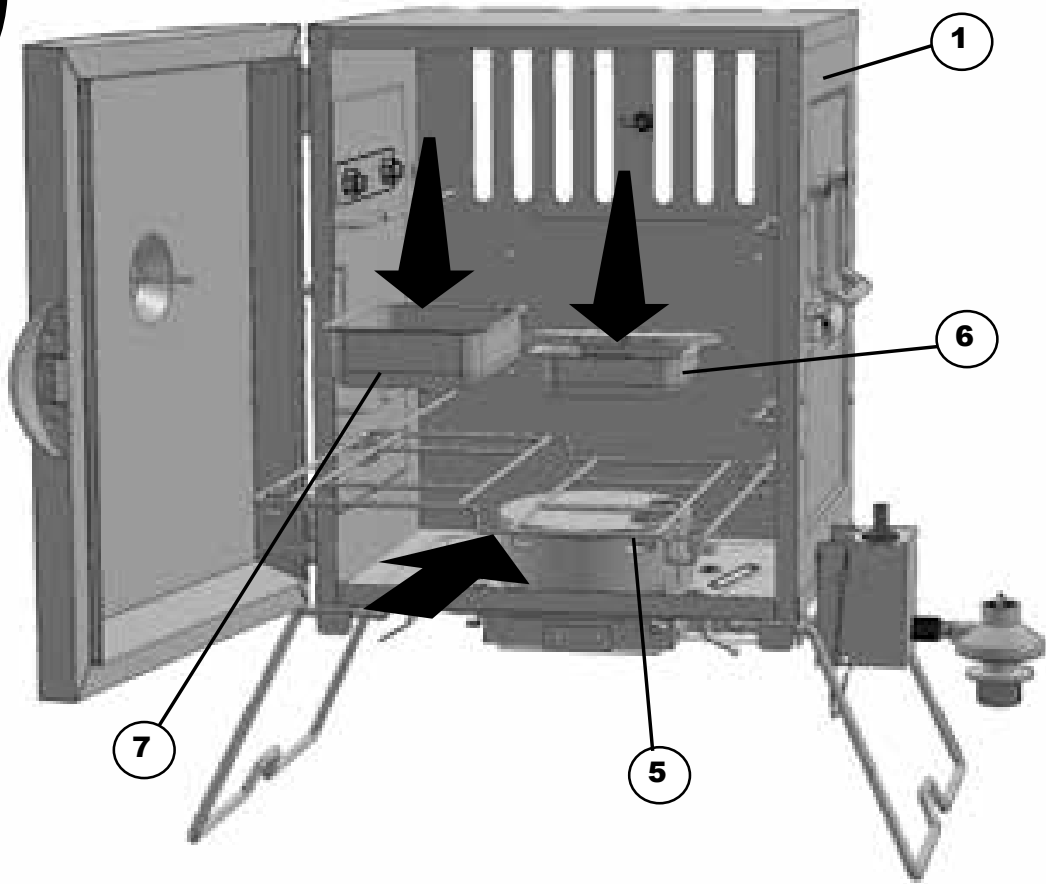
**6**



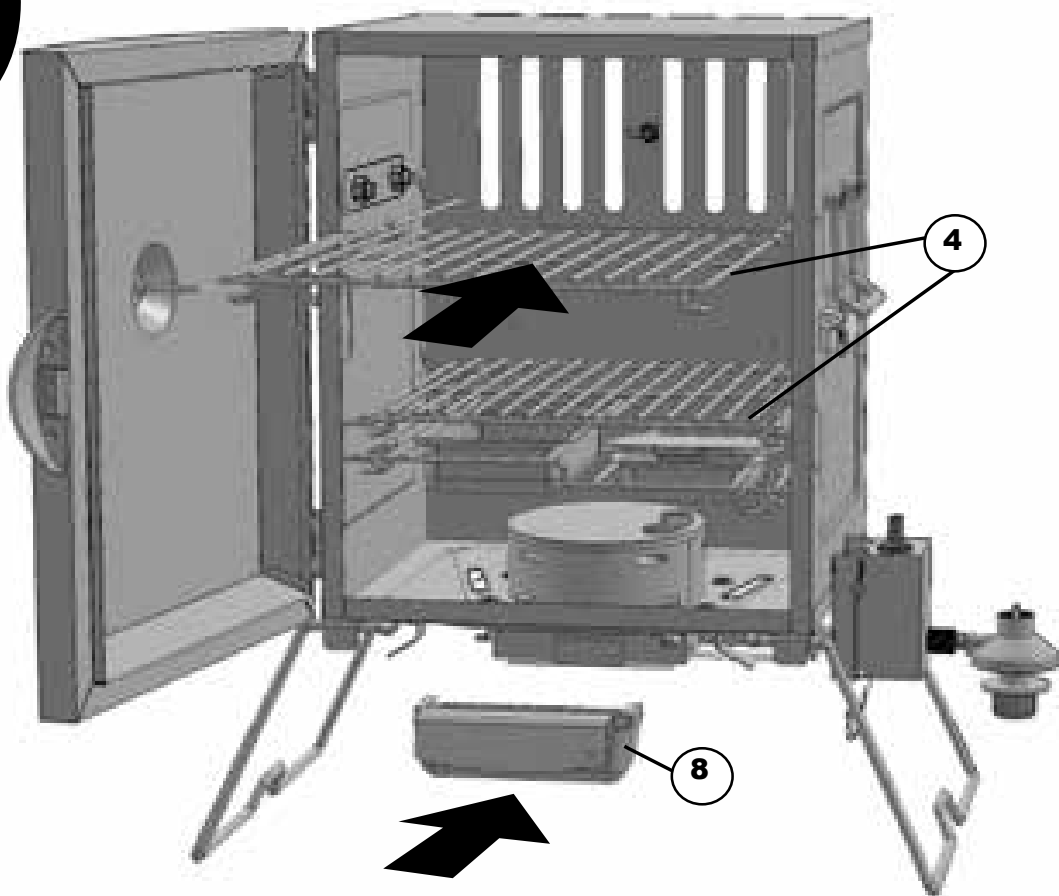
D x1



**7**



**8**



# Ready. Set. Craft your Masterpiece.

## Smoked Red Snapper

- 1 1/2 lb red snapper filet (skin on)
  - 2 tbs olive oil
  - 1 tbs brown sugar
  - 1 tbs garlic, chopped
  - 1 tsp pepper black-freshly ground
  - 1 tbs maple syrup
  - 6 oz moistened wood chips for smoking
  - 1 foil pie plate
- Brine**
- 2 qts water
  - 12 oz kosher salt-approx
  - 2 tbs brown sugar
  - 1 tbs garlic, granulated

Prepare the brine by dissolving enough salt in cold water to float an egg. (The amount given is approx.) Add the sugar and the granulated garlic. Brine the fish for one hour. (You can use frozen red snapper and put in the brine for about 2-2 1/2 hours.) Combine the olive oil, brown sugar, garlic and pepper to make a rub. Rub the mixed dry ingredients into the fish. Oil the skin side of the fish lightly, so it won't stick to the smoking racks. Smoke the fish for 60-75 minutes, depending on thickness at 225F. Optional: Paint the fish with maple syrup for glaze before serving.

## SÉBASTE AUX YEUX JAUNES FUMÉE

- 1 1/2 lb de filets de sébaste aux yeux jaunes (avec la peau)
  - 2 c. à s. d'huile d'olive
  - 1 c. à s. de cassonnade
  - 1 c. à s. d'ail haché
  - 1 c. à thé de poivre noir fraîchement moulu
  - 1 c. à s. de sirop d'érable
  - 6 oz. de copeaux humectés pour le fumage
  - 1 assiette à tarte en papier d'aluminium
- Saumure**
- 2 pintes d'eau
  - Environ 12 oz. de sel kosher
  - 2 c. à s. Cassonnade
  - 1 c. à s. d'ail déshydraté

Préparez la saumure en dissolvant assez de sel dans l'eau froide pour qu'un œuf y flotte. (La quantité indiquée est approximative.) Ajoutez le sucre et l'ail déshydraté. Saumurez le poisson pendant une heure. (Vous pouvez utiliser de la sébaste surgelée et la laisser dans la saumure pendant 2 à 2 1/2 heures.) Mélangez l'huile d'olive, la cassonnade, l'ail et le poivre pour en faire un apprêt. Enduisez le poisson avec les ingrédients secs mélangés. Huilez légèrement la peau du poisson, pour qu'elle ne colle pas sur les grilles de fumage. Faites fumer le poisson à 225 °F pendant 60 à 75 minutes, selon l'épaisseur. Facultatif : enduisez le poisson d'un glacis de sirop d'érable avant de le servir.

## HUACHINANGO AHUMADO

- 1 1/2 pies de filete de huachinango (con piel)
  - 2 cucharadas de aceite de oliva
  - 1 cucharada de azúcar morena
  - 1 cucharada de ajo, picado
  - 1 cucharadita de pimienta negra recién molida
  - 1 cucharada de jarabe de arce
  - 6 oz. de trocitos de madera humedecidas para ahumar
  - 1 charola de papel aluminio para pay
- Solución con sal**
- 2 cuartos de galón de agua
  - 12 oz. de sal Kosher aproximadamente
  - 2 cdas. de azúcar morena
  - 1 cucharada de ajo granulado

Prepare la solución con sal disolviendo suficiente sal en agua fría de manera que flote un huevo. (La cantidad mencionada es aproximada) Agregue el azúcar y el ajo granulado. Deje el pescado en la solución con sal durante una hora. (Puede usar huachinango congelado y ponerlo en la solución con sal durante 2-2 1/2 horas). Mezcle el aceite de oliva, el azúcar morena, el ajo y la pimienta para untarlos. Unte la mezcla de ingredientes secos en el pescado. Agregue un poco de aceite a la piel del pescado para que no se pegue a la parrilla del ahumador. Deje ahumar el pescado durante 60-70 minutos, dependiendo de su grosor, a 107.2°C (225°F). Opcional: Unte jarabe de arce al pescado para glasearlo antes de servirlo.

# MASTERBUILT 1-YEAR LIMITED WARRANTY

Masterbuilt warrants its products to be free from defects in material and workmanship under proper assembly, normal use and recommended care for 1-year from the date of original retail purchase. The Masterbuilt warranty does not cover paint finish as it may burn off during normal use. The Masterbuilt warranty does not cover rust of the unit. Masterbuilt requires proof of purchase for warranty claims and suggests that you keep your receipt. Upon the expiration of such warranty, all such liability shall terminate.

Within the stated warranty period, Masterbuilt, at its discretion, shall replace defective components free of charge, with the owner being responsible for shipping. Should Masterbuilt require return of component(s) in question for inspection, Masterbuilt will be responsible for shipping charges to return requested item. This warranty excludes property damage sustained due to misuse, abuse, accident, damage arising out of transportation, or damage incurred by commercial use of this product.

This expressed warranty is the sole warranty given by Masterbuilt and is in lieu of all other warranties, expressed or implied including merchantability, or fitness for a particular purpose. Neither Masterbuilt nor the retail establishment selling this product has authority to make any warranties or to promise remedies in addition to or inconsistent with those stated above. Masterbuilt's maximum liability, in any event, shall not exceed the purchase price of the product paid by the original consumer/ purchaser. Some states do not allow the exclusion or limitation of incidental or consequential damages. In such a case, the above limitations or exclusions may not be applicable.

California residents only: Notwithstanding this limitation of warranty, the following specific restrictions apply; if service, repair, or replacement of the product is not commercially practical, the retailer selling the product or Masterbuilt will refund the purchase price paid for the product, less the amount directly attributable to use by the original buyer prior to the discovery of the nonconformity. Owner may take the product to the retail establishment selling this product in order to obtain performance under warranty. This expressed warranty gives you specific legal rights, and you may also have other rights which vary from state to state.



Go Online [www.masterbuilt.com](http://www.masterbuilt.com)  
or complete and return to  
Attn: Warranty Registration  
Masterbuilt Mfg., LLC  
1 Masterbuilt Court - Columbus, GA 31907

Name: \_\_\_\_\_ Address : \_\_\_\_\_ City: \_\_\_\_\_

State/Province: \_\_\_\_ Postal Code: \_\_\_\_\_ Phone Number: (\_\_\_\_) - \_\_\_\_\_

E-mail Address: \_\_\_\_\_

\*Model Number: \_\_\_\_\_ \*Serial Number: \_\_\_\_\_

Purchase Date: \_\_\_\_ - \_\_\_\_ - \_\_\_\_ Place of Purchase: \_\_\_\_\_

*\*Model Number and Serial Number are located on silver label on back of unit.*

# GARANTIE LIMITÉE D'UN AN DE MASTERBUILT

Masterbuilt garantit que ses produits sont exempts de défauts de matériel et de fabrication pendant un an à partir de la date d'achat d'origine s'ils sont assemblés de la manière appropriée, utilisés normalement et entretenus de la façon recommandée. La garantie de Masterbuilt ne couvre pas la finition de peinture, car elle peut brûler au cours d'un usage normal. La garantie de Masterbuilt ne couvre pas la corrosion de l'appareil. Masterbuilt exige une preuve d'achat lors de réclamations au titre de la garantie et vous suggère de conserver votre reçu. Cette garantie prend fin dès la date d'expiration de la garantie.

Durant la période de garantie déclarée, Masterbuilt, à sa discrétion, remplacera gratuitement tout composant défectueux, le propriétaire étant responsable des frais de transport. Advenant que Masterbuilt demande que le ou les composants lui soient retournés pour inspection, Masterbuilt assumera les frais de transport pour le retour du composant demandé. Cette garantie exclut les dommages à la propriété dus à un mauvais usage, un usage abusif, un accident, un dommage résultant du transport ou un dommage dû à un usage commercial de ce produit.

Cette garantie expresse est la seule garantie donnée par Masterbuilt et remplace toute garantie, expresse ou implicite, y compris une garantie de valeur marchande ou d'adaptation à un usage particulier. Ni Masterbuilt ni le détaillant qui vend ce produit ne sont autorisés à fournir des garanties ou à promettre quoi que ce soit qui excède ou qui contredise ce qui est énoncé ci-dessus. La responsabilité maximale de Masterbuilt, dans tous les cas, ne peut dépasser le prix d'achat de l'article payé par le consommateur/l'acheteur d'origine. Certains états/certaines provinces ne permettent pas l'exclusion ou les restrictions des dommages fortuits ou indirects. Dans de tels cas, les restrictions ou exclusions qui précèdent peuvent ne pas être applicables.

Résidents de la Californie seulement : nonobstant cette limite de la garantie, les restrictions particulières s'appliquent : si la révision, la réparation ou le remplacement de l'article n'est pas commercialement faisable, le détaillant qui a vendu l'article ou Masterbuilt remboursera le prix d'achat payé pour cet article, moins le montant directement imputable à l'usage qu'en aura fait l'acheteur d'origine avant la découverte de la non-conformité. Le propriétaire peut rapporter le produit au détaillant qui le lui a vendu pour bénéficier des privilèges que lui accorde la présente garantie. Cette garantie expresse vous confère des droits légaux spécifiques et vous pouvez également avoir d'autres droits qui varient d'un état à l'autre.



Visitez en ligne [www.masterbuilt.com](http://www.masterbuilt.com)  
ou remplissez et renvoyez à  
Attn : Warranty Registration  
Masterbuilt Mfg., LLC  
1 Masterbuilt Court - Columbus, GA 31907

Nom : \_\_\_\_\_ Adresse : \_\_\_\_\_ Ville : \_\_\_\_\_

État/Province : \_\_\_\_\_ Code postal : \_\_\_\_\_ Numéro de téléphone : (\_\_\_\_) - \_\_\_\_\_

Adresse de courriel : \_\_\_\_\_

\*Numéro de modèle : \_\_\_\_\_ \*Numéro de série : \_\_\_\_\_

Date de l'achat : \_\_\_\_ - \_\_\_\_ - \_\_\_\_ Lieu de l'achat : \_\_\_\_\_

*\*Les numéros de série et de modèle se trouvent sur l'étiquette argentée derrière l'appareil.*

# GARANTÍA LIMITADA POR 1 AÑO DE MASTERBUILT

Masterbuilt garantiza que sus productos no presentan defectos de fabricación, ni de material ni de la mano de obra, si se los ensambla correctamente, se los utiliza de forma normal y se los cuida según las recomendaciones, durante un período de 1 año a partir de la fecha de compra original. La garantía de Masterbuilt no cubre el acabado de la pintura ya que puede salirse durante el uso normal. La garantía de Masterbuilt no cubre la oxidación de la unidad. Masterbuilt exige el comprobante de la compra para realizar reclamos de la garantía y sugiere que conserve su recibo. Después de la fecha de vencimiento de la garantía, finalizarán todas las responsabilidades.

Durante el período de vigencia establecido de la garantía, Masterbuilt, a su criterio, reemplazará los componentes defectuosos sin costo alguno, debiendo hacerse responsable el propietario de los gastos de envío. Si Masterbuilt requiere la devolución del o los componentes en cuestión para su inspección, Masterbuilt será responsable de todos los cargos de envío para devolver el artículo solicitado. Esta garantía excluye los daños ocasionados a la propiedad por el mal uso, el uso excesivo, los accidentes, el transporte o el uso comercial de este producto.

Esta garantía expresa es la única garantía entregada por Masterbuilt y reemplaza a todas las demás garantías, expresas o implícitas, incluidas las de comercialización o idoneidad para cualquier fin en particular. Ni Masterbuilt ni el establecimiento minorista que ofrece este producto, tienen autoridad alguna para otorgar garantías adicionales o prometer otros recursos que sean inconsistentes con los establecidos previamente. La responsabilidad máxima de Masterbuilt, en todos los casos, no superará el precio de compra del producto que el cliente o comprador original pagó. Algunos estados no permiten la exclusión o limitación de daños accidentales o resultantes. En dicho caso, no se aplicarán las exclusiones o limitaciones anteriores.

Solo para residentes de California: A pesar de esta limitación de garantía, se aplican las siguientes restricciones específicas; si el mantenimiento, la reparación o el reemplazo del producto no se puede realizar comercialmente, el establecimiento minorista que ofrece el producto o Masterbuilt devolverá el monto original de la compra del producto, menos el monto directamente atribuible al uso por parte del comprador original antes de informar su disconformidad. El propietario puede llevar el producto al establecimiento minorista que lo ofrece a fin de obtener la ejecución de cualquier obligación en virtud de esta garantía. Esta garantía expresa le otorga derechos legales específicos, y es posible que también tenga otros derechos que varían de un estado a otro.



Visítenos en línea en: [www.masterbuilt.com](http://www.masterbuilt.com)  
o complete este formulario y envíelo a:  
A la atención de: Warranty Registration  
Masterbuilt Mfg. LLC  
1 Masterbuilt Court - Columbus, GA 31907

Nombre: \_\_\_\_\_ Dirección : \_\_\_\_\_ Ciudad: \_\_\_\_\_

Estado/Provincia: \_\_\_\_ Código postal: \_\_\_\_\_ Número de teléfono: (\_\_\_\_) - \_\_\_\_\_

Correo electrónico: \_\_\_\_\_

\*Número de modelo: \_\_\_\_\_ \*Número de serie: \_\_\_\_\_

Fecha de compra: \_\_\_\_ - \_\_\_\_ - \_\_\_\_ Lugar de compra: \_\_\_\_\_

*\*El número de modelo y el número de serie se encuentran en la etiqueta plateada en la parte posterior de la unidad.*

# MASTERBUILT®

EST. 1973

Rest assured, we're here to help.

Customer Service  
Service à la clientèle  
Servicio de atención al cliente

[masterbuilt.com/contact](https://www.masterbuilt.com/contact)

**Masterbuilt Manufacturing, LLC**

1 Masterbuilt Court | Columbus, GA | 31907

@masterbuilt



1.800.489.1581

[www.masterbuilt.com](https://www.masterbuilt.com)

