

This Owner's Manual is provided and hosted by [Appliance Factory Parts](http://www.appliancefactoryparts.com).



# MASTERBUILT 20060416 Owner's Manual

**[Shop genuine replacement parts for MASTERBUILT  
20060416](#)**



**[Find Your MASTERBUILT Grill Parts - Select From 590 Models](#)**

----- Manual continues below part list -----

## Available Replacement Parts for MASTERBUILT 20060416

<a href="#">990060194</a>	Smoker Handle Kit - M7P, CM7P
<a href="#">9007080034</a>	Water Bowl
<a href="#">909050005</a>	Charcoal Bowl
<a href="#">990060060</a>	Smoking Rack Support Brackets Kit
<a href="#">990060061</a>	Water Bowl/Smoking Rack Support
<a href="#">990060073</a>	Temperature Gauge Kit
<a href="#">911060031</a>	COOKING GRATE



Masterbuilt Manufacturing, Inc.  
1 Masterbuilt Ct.  
Columbus, GA 31907  
Customer Service 1-800-489-1581

Service à la clientèle 1-800-489-1581

Servicio de atención al cliente 1-800-489-1581

[www.masterbuilt.com](http://www.masterbuilt.com)



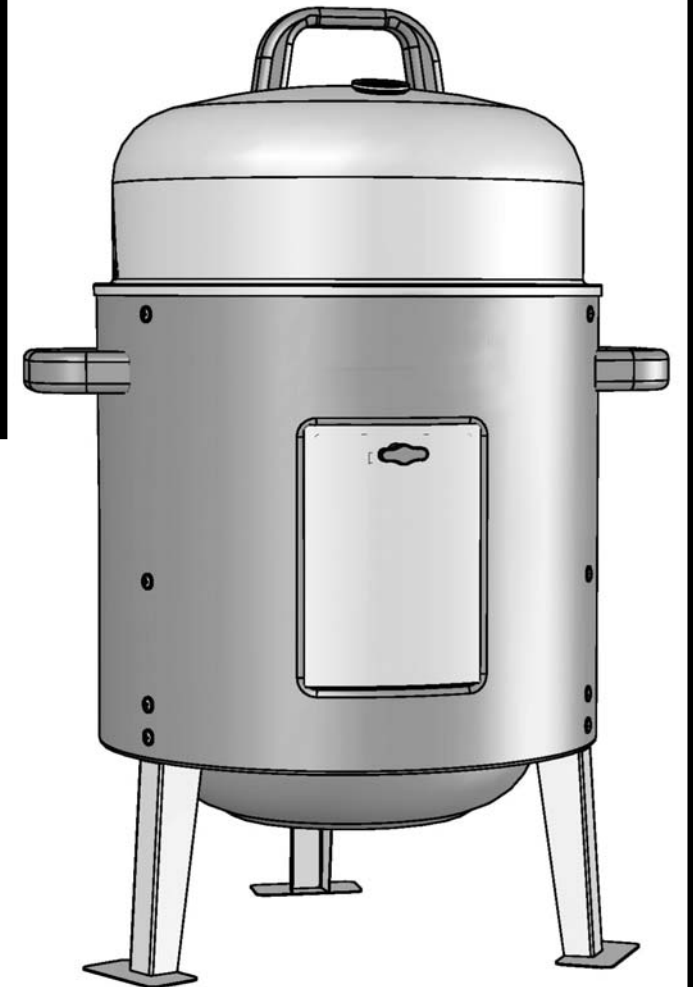
YouTube



CHARCOAL BULLET  
SMOKER

CHARBON DE BOIS  
BULLET FUMEUR

CARBÓN DE LEÑA  
BALA HUMADOR



**IMPORTANT! / IMPORTANTE !**

Please record this information immediately and keep in a safe place for future use.

S'il vous plaît noter cette information immédiatement et conserver dans un endroit sûr pour une utilisation future.

Por favor, registrar esta información inmediatamente y guardar en un lugar seguro para su uso futuro.

Model number / Numéro de modèle / Número de modelo

Mfg. Date - Serial Number / Date de fabrication - Numéro de série / Fecha Fabricado - Número de serie

These numbers are located on the rating label of the unit.  
Le numéro de série se trouve sur la plaque signalétique de l'unité.  
El número de serie se encuentra en la etiqueta de la unidad.

Manual Code: 9806150005 160811-GH

**THIS PRODUCT IS FOR OUTDOOR HOUSEHOLD USE ONLY.**

**ASSEMBLY, CARE & USE MANUAL WARNING & SAFETY INFORMATION**

**CE PRODUIT EST DESTINÉ UNIQUEMENT À UNE UTILISATION EN DOMESTIQUE EXTÉRIEUR.**

**MANUEL D'ASSEMBLAGE, D'ENTRETIEN ET D'UTILISATION AVERTISSEMENTS ET INFORMATIONS RELATIVES À LA SÉCURITÉ**

**ESTE PRODUCTO ES SOLAMENTE DE USO DOMÉSTICO EN EXTERIORES.**

**MANUAL DE ENSAMBLAJE, CUIDADO Y USO INFORMACIÓN DE ADVERTENCIAS Y SEGURIDAD**

Tools needed for assembly: Phillips Head Screwdriver

Approximate assembly time: 20 minutes \*Actual product may differ from picture shown

Outils nécessaires pour l'assemblage : tournevis cruciforme

Temps nécessaire pour l'assemblage : environ 20 minutes \* Le produit réel peut différer de l'illustration

Herramientas requeridas para el ensamblaje: destornillador Phillips o en cruz

Tiempo aproximado de ensamblaje: 20 minutos \*El producto real puede ser distinto de la imagen mostrada

**! CARBON MONOXIDE HAZARD !**

**Burning charcoal or wood chips gives off carbon monoxide, which has no odor and can cause death. DO NOT burn charcoal or wood chips inside homes, vehicles, tents, garages or any enclosed areas. USE ONLY OUTDOORS where it is well ventilated.**

**! WARNING !**

**This manual contains important information necessary for the proper assembly and safe use of the appliance.**

**Read and follow all warnings and instructions before assembling and using the appliance.**

**Follow all warnings and instructions when using the appliance.**

**Keep this manual for future reference.**

**Failure to follow these instructions could result in fire, explosion or burn hazard which could cause property damage, personal injury, or death.**

**! DANGER !**

- 1. Never operate this appliance unattended.**
- 2. Never operate this appliance within 10 feet (3.0m) of any structure, combustible material or a gas cylinder.**
- 3. Never operate this appliance within 25 feet (7.5m) of any flammable liquid.**
- 4. If fire should occur, keep away from appliance and immediately call your fire department. Do not attempt to extinguish an oil/grease fire with water.**

**! WARNING !**

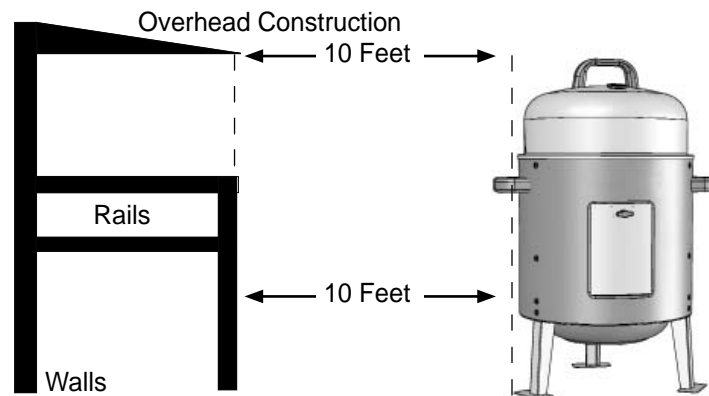
**CALIFORNIA PROPOSITION 65**

- 1. Combustion by-products produced when using this product contain chemicals known to the State of California to cause cancer, birth defects, and other reproductive harm.**
- 2. This product contains chemicals known to the State of California to cause cancer, birth defects or other reproductive harm.**

**GENERAL STRUCTURAL AND PROXIMITY**

**REMINDER: NEVER OPERATE THIS SMOKER UNDER ANY OVERHEAD CONSTRUCTION. MAINTAIN A MINIMUM DISTANCE OF 10 FT (3M) FROM OVERHEAD CONSTRUCTION, WALLS OR RAILS. SEE DIAGRAM.**

**! WARNING: SMOKER LEGS ARE A TRIP HAZARD !**



**INFORMACIÓN DE LA GARANTÍA LIMITADA**

Masterbuilt garantiza sus productos por defectos en materiales y mano de obra si se ensamblan correctamente, usan normalmente y se tienen los cuidados recomendados, por 90 días después de la compra original al minorista.

La garantía de Masterbuilt no cubre el acabado de pintura, ya que se puede quemar durante el uso normal. La garantía Masterbuilt no cubre la oxidación de la unidad.

Masterbuilt requiere una prueba de compra razonable para las reclamaciones de garantía, y le sugiere que conserve su factura. Una vez que expire la garantía, todas las responsabilidades cesan.

Dentro del periodo de garantía, Masterbuilt, a su discreción, reparará o reemplazará los componentes defectuosos sin costo, y los costos de transporte estarán a cargo del comprador. Si Masterbuilt solicita que le regresen los componentes en cuestión para inspección, Masterbuilt será responsable de los cargos por transporte de los elementos solicitados.

La garantía excluye los daños a la propiedad consecuencia del uso indebido, abuso, accidentes, daños durante el transporte, o daños como consecuencia del uso comercial de este producto.

*Esta garantía limitada es la única garantía que proporciona Masterbuilt, y reemplaza a todas las demás garantías, expresas o implícitas, incluyendo la garantía implícita, de comerciabilidad o idoneidad para un propósito en particular.*

Ni Masterbuilt ni los establecimientos minoristas que venden este producto tienen autorización para ofrecer garantías o prometer remedios o adiciones a esta, o inconsistencias con las enunciadas anteriormente.

La máxima responsabilidad de Masterbuilt, en cualquier caso, no podrá exceder el precio de compra pagado por el producto por el comprador o consumidor original. Algunos estados no permiten la exclusión o limitación de los daños incidentales o consecuenciales. En tales casos, las anteriores limitaciones o exclusiones pueden no aplicar.

**Para residentes de California únicamente:** Si importar las limitaciones de la garantía, las siguientes restricciones específicas aplican: si el servicio, reparación o reemplazo del producto no es práctico comercialmente, el minorista que vende el producto o Masterbuilt deberán reembolsar el precio de compra pagado por el producto, restando el monto atribuible al uso que haya dado el comprador original con anterioridad a descubrir la inconformidad. El propietario puede llevar el producto al establecimiento minorista que le vendió el producto para hacer efectiva la garantía.

Esta garantía limitada le otorga derechos legales específicos, y usted también puede tener otros derechos, los cuales varían de estado en estado.

**Llene el registro en línea en [www.masterbuilt.com](http://www.masterbuilt.com) o llene y envíe a:**  
**Warranty Registration Masterbuilt Mfg., Inc.**  
<http://www.masterbuilt.com/>  
**1 Masterbuilt Court - Columbus, GA 31907**

Nombre: \_\_\_\_\_ Dirección: \_\_\_\_\_ Ciudad: \_\_\_\_\_  
 Estado / provincia: \_\_\_\_\_ Código postal: \_\_\_\_\_ Número de teléfono: ( ) - \_\_\_\_\_  
 Dirección de correo electrónico: \_\_\_\_\_  
 \*Número de modelo : \_\_\_\_\_ \* Número de serie: \_\_\_\_\_  
 Fecha de compra: \_\_\_\_-\_\_\_\_-\_\_\_\_ Lugar de compra: \_\_\_\_\_

*\*Los números de serie y modelo se encuentran en la etiqueta plateada en la parte posterior de la unidad.*

## INFORMATION SUR LA GARANTIE LIMITÉE

Masterbuilt garantit que ses produits sont exempts de défaut de matériel et de main-d'œuvre dans des conditions d'assemblage approprié, d'utilisation normale et d'entretien recommandé pendant 90 jours à compter de la date d'achat initiale du produit.

La garantie Masterbuilt ne couvre pas la couche de peinture de finition, car elle peut brûler dans des conditions normales d'utilisation. La garantie Masterbuilt ne couvre pas la présence de rouille sur l'appareil.

Masterbuilt demandera une preuve d'achat raisonnable en cas de réclamation en vertu de la garantie et recommande de conserver la facture. À l'expiration d'une telle garantie, cette responsabilité prend fin.

Durant la période couverte par la garantie, Masterbuilt, à son entière discrétion, réparera ou remplacera à titre gratuit les pièces défectueuses et c'est le propriétaire qui assumera les frais de livraison des pièces. Dans le cas où Masterbuilt demande de renvoyer la pièce en question à des fins d'inspection, Masterbuilt assume les frais d'expédition pour renvoyer l'article demandé.

*Cette garantie ne couvre pas les dégâts causés au matériel en raison d'une mauvaise utilisation, d'un usage abusif, d'un accident, de dommages survenant lors du transport ou de dommages encourus par l'utilisation commerciale de ce produit.*

Cette garantie énoncée est l'unique garantie donnée par Masterbuilt et remplace toute garantie, expresse ou implicite, y compris les garanties tacites de commercialisation et d'adéquation du produit particulier.

Ni Masterbuilt ni le magasin de détail qui vend ce produit ne sont autorisés à offrir des garanties supplémentaires ou à promettre quoi que ce soit qui dépasse ou qui contredise ce qui figure ci-dessus.

La responsabilité maximale de Masterbuilt, en tout état de cause, ne doit pas dépasser le prix d'achat du produit payé par le consommateur ou l'acheteur initial. Certains États n'autorisent pas l'exclusion ni la restriction des dommages indirects ou accessoires. Dans ce cas, les restrictions ou exclusions précédentes peuvent ne pas s'appliquer.

**Pour les résidents de l'État de la Californie exclusivement:** Malgré cette limitation de garantie, les restrictions spécifiques suivantes s'appliquent, si le service, la réparation ou le remplacement du produit s'avère commercialement impraticable, le revendeur du produit ou Masterbuilt remboursera le montant payé par l'acheteur et déduiront une somme directement proportionnelle à l'utilisation par l'acheteur initial avant la découverte de la non-conformité. Le propriétaire peut amener le produit au point de vente tenant ce produit pour obtenir une validité couverte par une garantie.

Cette garantie énoncée vous accorde des droits juridiques spécifiques et vous pouvez bénéficier d'autres droits qui varient selon les États.



**Aller sur le site [www.masterbuilt.com](http://www.masterbuilt.com)  
ou remplir et renvoyer l'enregistrement de la garantie  
à l'attention de : Enregistrement de la garantie  
1 Masterbuilt Court - Columbus, GA 31907**

Nom : \_\_\_\_\_ Adresse : \_\_\_\_\_ Ville: \_\_\_\_\_

État / province : \_\_\_\_\_ Code postal : \_\_\_\_\_ Numéro de téléphone : (\_\_\_\_) - \_\_\_\_\_

Adresse électronique : \_\_\_\_\_

\*Numéro de modèle : \_\_\_\_\_ \* Numéro de série: \_\_\_\_\_

Date d'achat : \_\_\_\_-\_\_\_\_-\_\_\_\_ Point de vente : \_\_\_\_\_

*\* Le numéro de modèle et le numéro de série sont indiqués sur une étiquette argentée à l'arrière de l'appareil.*



## GENERAL WARNINGS AND SAFETY INFORMATION



### READ ALL INSTRUCTIONS

- Always use unit in accordance with all applicable local, state and federal fire codes.
- Before each use check all nuts, screws and bolts to make sure they are tight and secure.
- Never operate unit under overhead construction such as roof coverings, carports, awnings, or overhangs.
- Unit is for OUTDOOR USE ONLY.
- Never use inside enclosed areas such as patios, garages, buildings or tents.
- Never use inside or on recreational vehicles or boats.
- Maintain a minimum distance of 10ft (3m) from overhead construction, walls, rails or other structures.
- Keep a minimum 10ft (3m) clearance of all combustible materials such as wood, dry plants, grass, brush, paper, or canvas.
- Never use unit for anything other than its intended use. This unit is NOT for commercial use.
- Accessory attachments not supplied by Masterbuilt Manufacturing, Inc. are NOT recommended and may cause injury.
- Use of alcohol, prescription or non-prescription drugs may impair user's ability to properly assemble or safely operate unit.
- Keep a fire extinguisher accessible at all times while operating unit.
- When cooking with oil or grease, have a type BC or ABC fire extinguisher readily available.
- In the event of an oil or grease fire do not attempt to extinguish with water. Immediately call the fire department. A Type BC or ABC fire extinguisher may, in some circumstances contain the fire.
- Use unit on a level, non-combustible, stable surface such as dirt, concrete, brick or rock. An asphalt surface (blacktop) may not be acceptable for this purpose.
- Unit MUST be on the ground. Do not place unit on tables or counters. Do NOT move unit across uneven surfaces.
- Do not use unit on wooden or flammable surfaces.
- Keep unit clear and free from combustible materials such as gasoline and other flammable vapors and liquids.
- Do not leave unit unattended.
- Keep children and pets away from unit at all times. Do NOT allow children to use unit. Close supervision is necessary should children or pets be in area where unit is being used.
- Do NOT allow anyone to conduct activities around unit during or following its use until it has cooled.
- Never use glass, plastic or ceramic cookware in unit. Never place empty cookware in unit while in use.
- Never move unit when in use. Allow unit to cool completely (below 115°F (45°C)) before moving or storing.
- Store only when fire is completely out and all surfaces are cold.
- Never use unit as a heater (READ CARBON MONOXIDE HAZARD).
- The unit is HOT while in use and will remain HOT for a period of time afterwards and during cooling process. Use CAUTION. Wear protective gloves/mitts.
- Be careful when removing food from unit. All surfaces are HOT and may cause burns. Use protective gloves/mitts or long, sturdy cooking tools for protection from hot surfaces or splatter from cooking liquids.
- DO NOT bump or impact the unit to prevent personal harm, damage to unit or spillage/splashing of hot cooking liquid.
- Do not touch HOT surfaces
- Unit is hot during use. To avoid burns, keep face and body away from door(s) and vents. Steam and hot air are expelled during use.
- Air dampers are HOT while the unit is in use and during cooling; wear protective gloves when adjusting.

## WARNINGS & IMPORTANT SAFEGUARDS CONTINUED ON PAGE 3



## GENERAL WARNINGS AND SAFETY INFORMATION



# WARNINGS & IMPORTANT SAFEGUARDS CONTINUED FROM PAGE 2

- Unit has an open flame. Keep hands, hair, and face away from flame. Do NOT lean over unit when lighting. Loose hair and clothing may catch fire.
- DO NOT obstruct flow of combustion and ventilation.
- Do not cover cooking racks with metal foil. This will trap heat and may cause damage to the unit.
- Never leave HOT coals or ashes unattended.
- Fuel should be kept red hot for at least 30 minutes prior to use.
- Do not cook before the fuel has a coating of ash.
- Do not remove ash can while ashes and charcoal are HOT.
- Keep hands, hair and face away from the burning charcoal. Be careful of loose hair and clothing during operation as they could catch fire.
- Use protective gloves when handling this unit or working with fire. Use protective gloves or long, sturdy fireplace tools when adding wood or charcoal.
- Never use gasoline to light charcoal.
- Overfilling charcoal bowl can cause serious injury and damage the unit.
- Never add additional lighter fluid once charcoal has ignited. Follow directions on lighter fluid container.
- Dispose of cold ashes by placing them in aluminum foil, soaking with water and discarding in a non-combustible container.

## SAVE THESE INSTRUCTIONS

### SMOKER OPERATION - READ & FOLLOW ALL INSTRUCTIONS CAREFULLY

#### GETTING STARTED

- Pre-season unit prior to first use. See **PRE-SEASON INSTRUCTIONS**.
- Before starting the unit, see **ADDING WOOD CHIPS**.
- Do not open smoker lid and/or access door unless necessary. Opening smoker lid and/or access door causes heat to escape and may cause wood to flare up. Closing the smoker lid and/or access door will re-stabilize the temperature and stop flare up.
- Should wood chips flare up immediately close smoker lid and/or access door, wait for wood chips to burn down then open smoker lid and/or access door again.

**CAUTION** - All surfaces are HOT and may cause burns. Use protective gloves or long, sturdy cooking tools when loading/unloading food or racks, and when adding charcoal, wood chips or water.

#### PRE-SEASON INSTRUCTIONS

Curing your smoker will rid the unit of chemicals and oils left over by the manufacturing process allowing them to burn off.

##### PRE-SEASON SMOKER PRIOR TO FIRST USE.

1. Using a napkin or cloth, rub a light coat of cooking oil on smoking racks, lid and/or access door. Make sure water pan is in place with NO WATER.
2. Position charcoal bowl and fill with up to 8lbs (3.6kgs) of charcoal (see **OPERATING INSTRUCTIONS**), light charcoal. LEAVE LID AND ACCESS DOOR OPEN. In about 15 minutes when the flames die out, spread briquettes into a single layer. Add up to 1 cup of wood chips (see **ADDING WOOD CHIPS**) to charcoal bowl. Close lid and access door.
3. Let the smoker burn for about 1 hour. Make sure temperature gets up to 350°F (177°C).
4. Allow unit to cool COMPLETELY.
5. Reapply light coat of cooking oil on smoking racks, lid and/or access door.
6. Restart smoker and burn for 20 minutes.
  - **Cure your smoker periodically to prevent excessive rust.**

## LIMITED WARRANTY INFORMATION

Masterbuilt warrants its products to be free from defects in material and workmanship under proper assembly, normal use and recommended care for 90 days from the date of original retail purchase.

Masterbuilt warranty does not cover paint finish as it may burn off during normal use.

Masterbuilt warranty does not cover rust of the unit.

Masterbuilt requires reasonable proof of purchase for warranty claims and suggests that you keep your receipt. Upon the expiration of such warranty, all such liability shall terminate.

Within the stated warranty period, Masterbuilt, at its discretion, shall repair or replace defective components free of charge with owner being responsible for shipping. Should Masterbuilt require return of component(s) in question for inspection Masterbuilt will be responsible for shipping charges to return requested item.

This warranty excludes property damage sustained due to misuse, abuse, accident, damage arising out of transportation, or damage incurred by commercial use of this product.

*This expressed warranty is the sole warranty given by Masterbuilt and is in lieu of all other warranties, expressed or implied including implied warranty, merchantability, or fitness for a particular purpose.*

Neither Masterbuilt nor the retail establishment selling this product, has authority to make any warranties or to promise remedies in addition to or inconsistent with those stated above.

Masterbuilt's maximum liability, in any event, shall not exceed the purchase price of the product paid by the original consumer/ purchaser. Some states do not allow the exclusion or limitation of incidental or consequential damages. In such a case, the above limitations or exclusions may not be applicable.

**California residents only:** Notwithstanding this limitation of warranty, the following specific restrictions apply; if service, repair, or replacement of the product is not commercially practical, the retailer selling the product or Masterbuilt will refund the purchase price paid for the product, less the amount directly attributable to use by the original buyer prior to the discovery of the nonconformity. Owner may take the product to the retail establishment selling this product in order to obtain performance under warranty.

This expressed warranty gives you specific legal rights, and you may also have other rights which vary from state to state.



Go Online [www.masterbuilt.com](http://www.masterbuilt.com)  
or complete and return to  
Attn: Warranty Registration  
Masterbuilt Mfg., Inc.  
1 Masterbuilt Court - Columbus, GA 31907

Name: \_\_\_\_\_ Address : \_\_\_\_\_ City: \_\_\_\_\_

State/Province: \_\_\_\_\_ Postal Code: \_\_\_\_\_ Phone Number: (\_\_\_\_) - \_\_\_\_\_

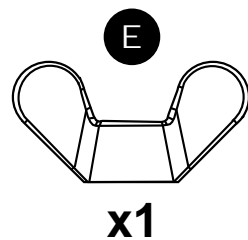
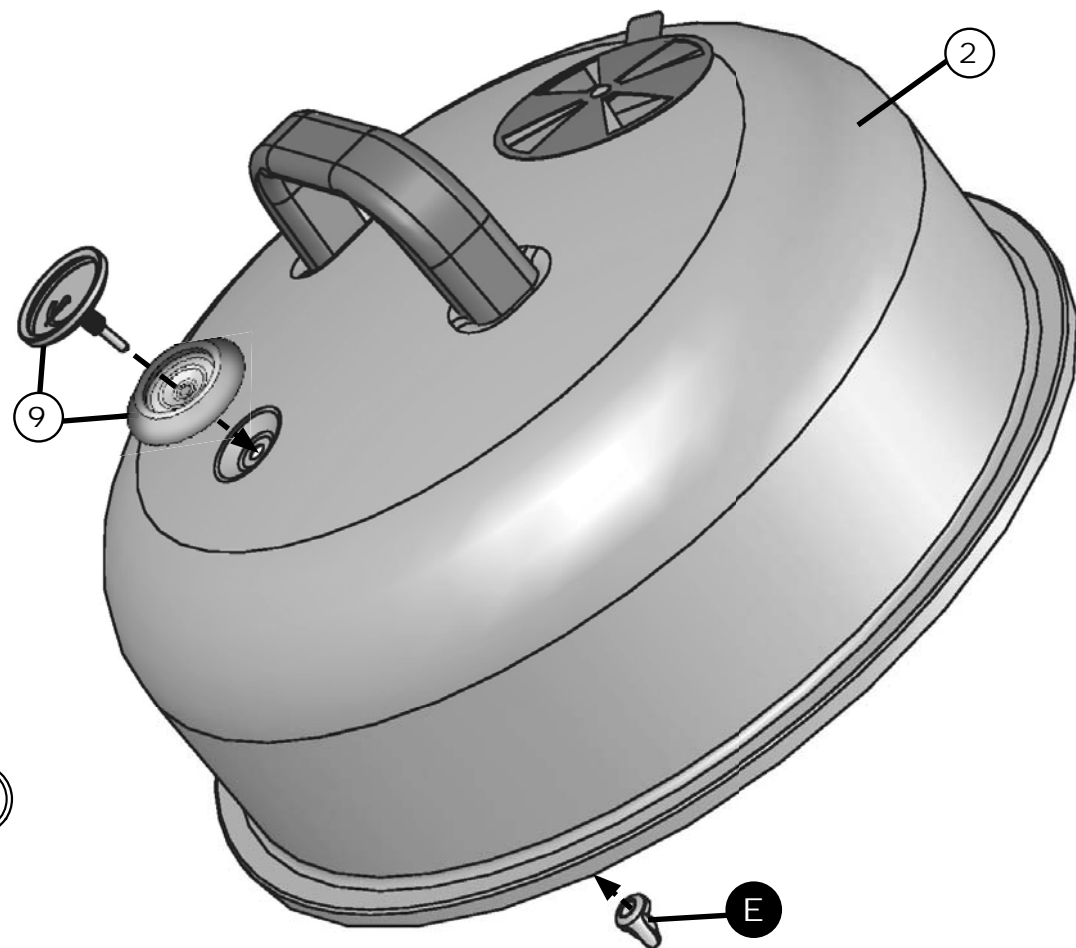
E-mail Address: \_\_\_\_\_

\*Model Number: \_\_\_\_\_ \*Serial Number: \_\_\_\_\_

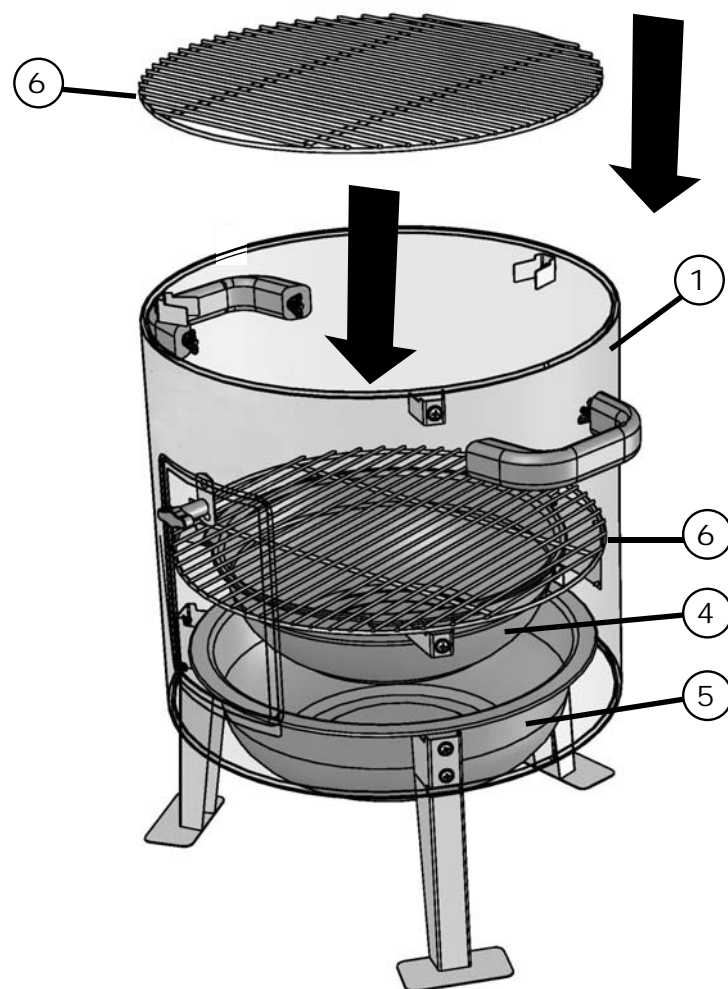
Purchase Date: \_\_\_\_ - \_\_\_\_ - \_\_\_\_ Place of Purchase: \_\_\_\_\_

*\*Model Number and Serial Number are located on silver label on back of unit.*

7



8



ADDING WOOD CHIPS

1. You may use dry or pre-soaked wood chips in your smoker. Dry chips will burn faster and produce more intense smoke. Chips pre-soaked in water (for approximately 30 minutes) will burn slower and produce a less intense smoke.
2. Once the charcoal has been spread into a single layer and is ready for cooking, place up to 1 cup (0.24l) of wood chips into the charcoal bowl with the charcoal.
3. **DO NOT ADD MORE THAN 1 cup (0.24l) OF WOOD CHIPS AT A TIME. Never use wood pellets.**
4. Place additional wood chips in smoker as needed to achieve desired smoke flavor.
  - **Wood chips must be used in order to produce smoke and create the smoke flavor.**

OPERATING INSTRUCTIONS

1. Position charcoal bowl in place.
2. Fill charcoal bowl with up to 8lbs (3.6kgs) of charcoal. Stack briquets in a pyramid.
3. Add lighter fluid following directions on fluid container. Before lighting, place lighter fluid at least 25 ft (8m) away from unit. Do not lean over unit when lighting charcoal. Light charcoal. **LEAVE LID AND ACCESS DOOR OPEN.**
4. In about 15 minutes, flames will die out and briquets will begin to ash over. Once the briquets are completely ashed over, spread briquettes in a single layer.
5. With protective gloves on, place water bowl in position. Pour 1 inch of water, juice, or vinegar into water bowl. This will add flavor and moisture to food and prevent it from drying out.
6. **DO NOT** cover racks with aluminum foil as this will not allow heat to circulate properly.
7. Pre-heat smoker for 30 to 45 minutes at max temperature before loading food.
8. Place food in the smoker, position on the center of the smoking rack. **CAUTION - All surfaces are HOT and may cause burns. Use protective gloves or long, sturdy cooking tools.**
9. **DO NOT** overload smoker with food. Extra large amounts of food may trap heat, extend cooking time and cause uneven cooking. Leave space between food on racks and smoker sides to ensure proper heat circulation. If utilizing cooking pans, place pans on center of rack to ensure even cooking.
10. Adjust smoker air dampers, to desired cooking temperature.
  - Close all air dampers on unit to retain moisture and heat. If cooking foods such as fish or jerky, open air dampers to release moisture.
11. Extreme cold temperatures may extend cooking times.
12. Once cooking is complete allow unit to cool and then follow **CLEANING and STORING INSTRUCTIONS. CLEAN AFTER EVERY USE.** This will extend the life of your smoker and prevent mold and mildew.

CLEANING and STORING INSTRUCTIONS

- **ALWAYS MAKE SURE UNIT IS COOL TO THE TOUCH BEFORE CLEANING AND STORING.**
- Be sure to clean smoker after each use.
- For rack supports, racks, water bowl, and drip pan use a mild dish detergent. Rinse and dry thoroughly.
- For charcoal bowl, after ashes are cold, clean after every use to remove ash build up, residue and dust.
- Dispose of cold ashes by placing them in aluminum foil, soaking with water and discarding in a non-combustible container.
- For the interior and exterior of the unit simply wipe down with a damp cloth after each use to keep unit in proper working condition. Do not use a cleaning agent. Make sure to dry thoroughly.
- After cleaning, store smoker in a covered and **DRY AREA.**
- Store only when fire is completely out and all surfaces are cold.
- When not in frequent use and using a cover, remember to check your smoker periodically to avoid possible rust and corrosion due to moisture buildup.
- Watch a video with step by step instructions on how to clean your smoker at [www.youtube.com/Masterbuilt Electric Smokehouse: Cleaning and Storage.](http://www.youtube.com/MasterbuiltElectricSmokehouse)

**! RISQUE LIÉ AU MONOXYDE DE CARBONE !**

La combustion de charbon de bois ou de copeaux de bois produit du monoxyde de carbone, qui n'a aucune odeur et peut provoquer la mort.  
**NE faites JAMAIS brûler du charbon de bois ou des copeaux de bois à l'intérieur des maisons, véhicules, tentes, garages ou de tout endroit fermé.**  
**NE L'UTILISEZ QU'À L'EXTÉRIEUR** dans un endroit bien ventilé.

**! AVERTISSEMENT !**

Ce manuel contient de l'information importante nécessaire pour un assemblage approprié et l'utilisation sûre de l'appareil.  
 Veuillez lire et vous conformer à tous les avertissements et suivre toutes les instructions avant d'assembler et d'utiliser l'appareil.  
 Conformez-vous à tous les avertissements et suivez toutes les instructions lorsque vous servez de l'appareil.  
 Conservez ce manuel pour référence.

**Le non-respect de ces instructions pourrait provoquer un incendie, une explosion ou un risque de brûlure, ce qui pourrait causer des dommages à la propriété, des blessures corporelles ou la mort.**

**! DANGER !**

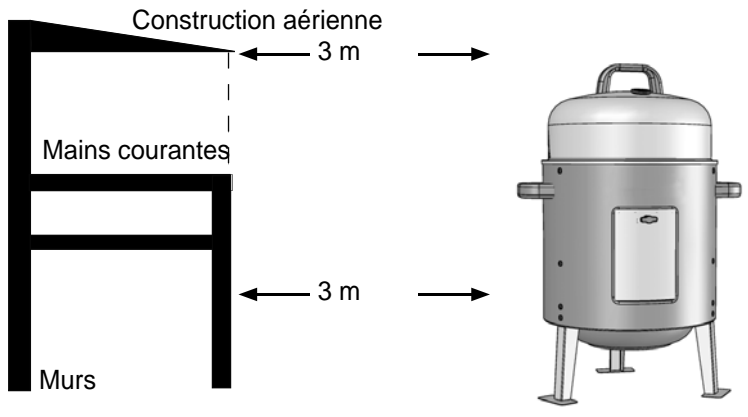
1. Ne faites jamais fonctionner cet appareil sans surveillance.
2. Ne faites jamais fonctionner cet appareil à moins de 3 m (10 pi) de toute structure, matière combustible ou d'une a bonbonne de gaz.
3. Ne faites jamais fonctionner cet appareil à moins de 25 pieds (7,5 m) de tout liquide inflammable.
4. Si un incendie se déclare, éloignez-vous de l'appareil et appelez immédiatement votre service d'incendie. Ne tentez pas d'éteindre un feu de graisse ou d'huile avec de l'eau.

**! AVERTISSEMENT !**

**PROPOSITION 65 DE L'ÉTAT DE CALIFORNIE**  
 1. Les sous-produits de combustion produits lors de l'utilisation de ce produit contiennent des substances chimiques reconnues par l'État de Californie comme causant le cancer, des anomalies congénitales et d'autres anomalies de la reproduction.  
 2. Ce produit contient des substances chimiques reconnues par l'État de Californie comme causant le cancer, des anomalies congénitales et d'autres anomalies de la reproduction.

**RECOMMANDATIONS CONCERNANT LA PROXIMITÉ STRUCTURELLE ET L'UTILISATION SÉCURITAIRE**

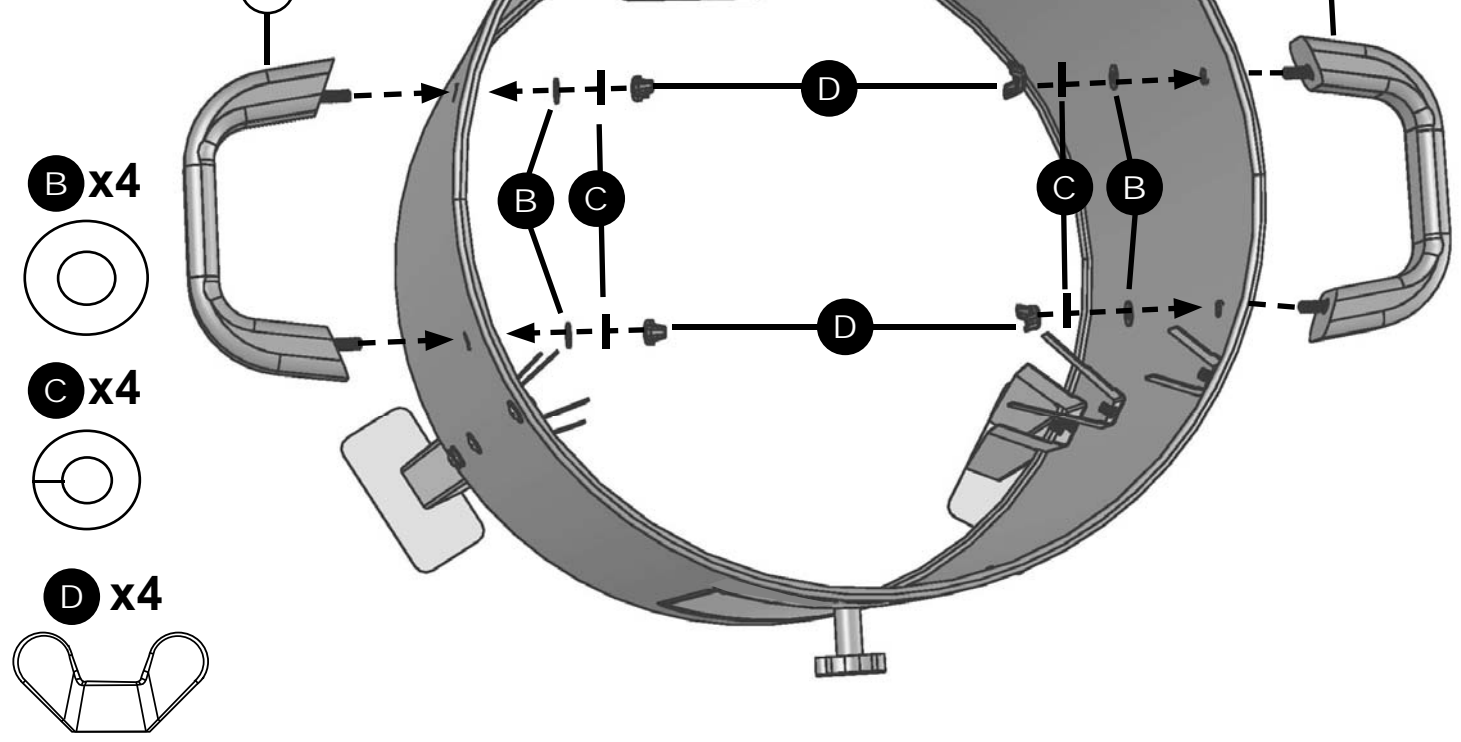
**RAPPEL : NE FAITES JAMAIS CHAUFFER CE FUMOIR EN DESSOUS D'UN ÉLÉMENT DE CONSTRUCTION.**  
 MAINTENEZ UNE DISTANCE MINIMALE DE 3 MÈTRES À PARTIR DE TOUT ÉLÉMENT DE CONSTRUCTION AÉRIEN, DES MURS OU DES MAINS COURANTES. VOIR LE SCHEMA.



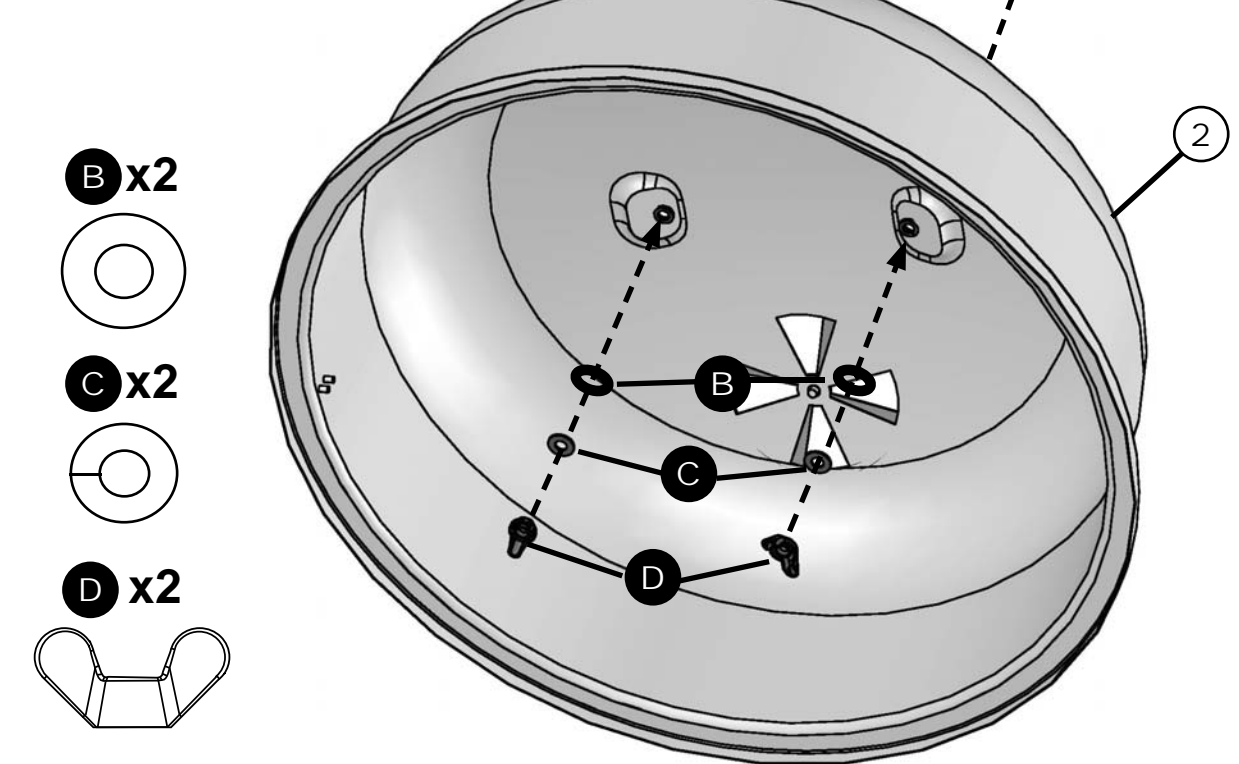
**! AVERTISSEMENT : LES PIEDS DU FUMOIR PRÉSENTENT UN RISQUE DE CHUTE !**

**ASSEMBLY, ASSEMBLAGE, ENSAMBLAJE**

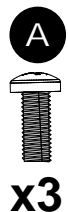
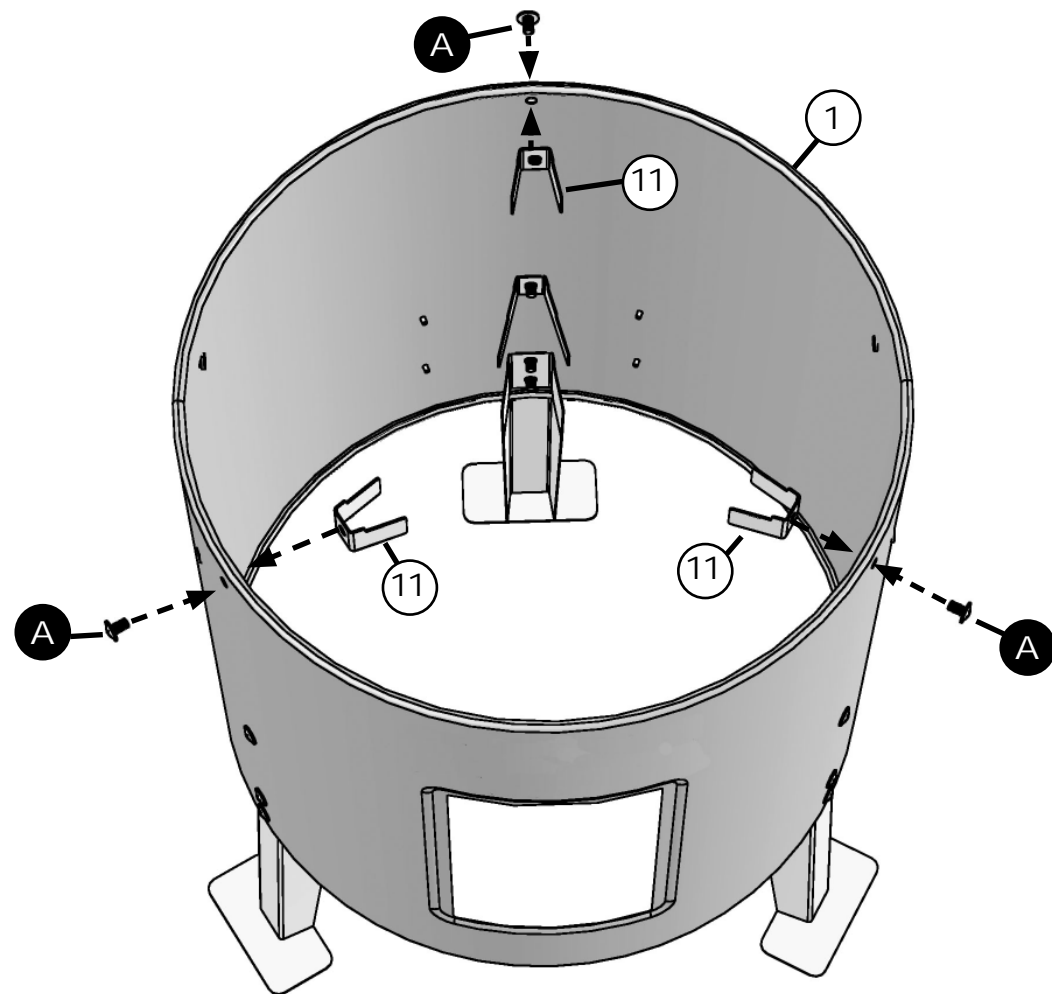
**5**



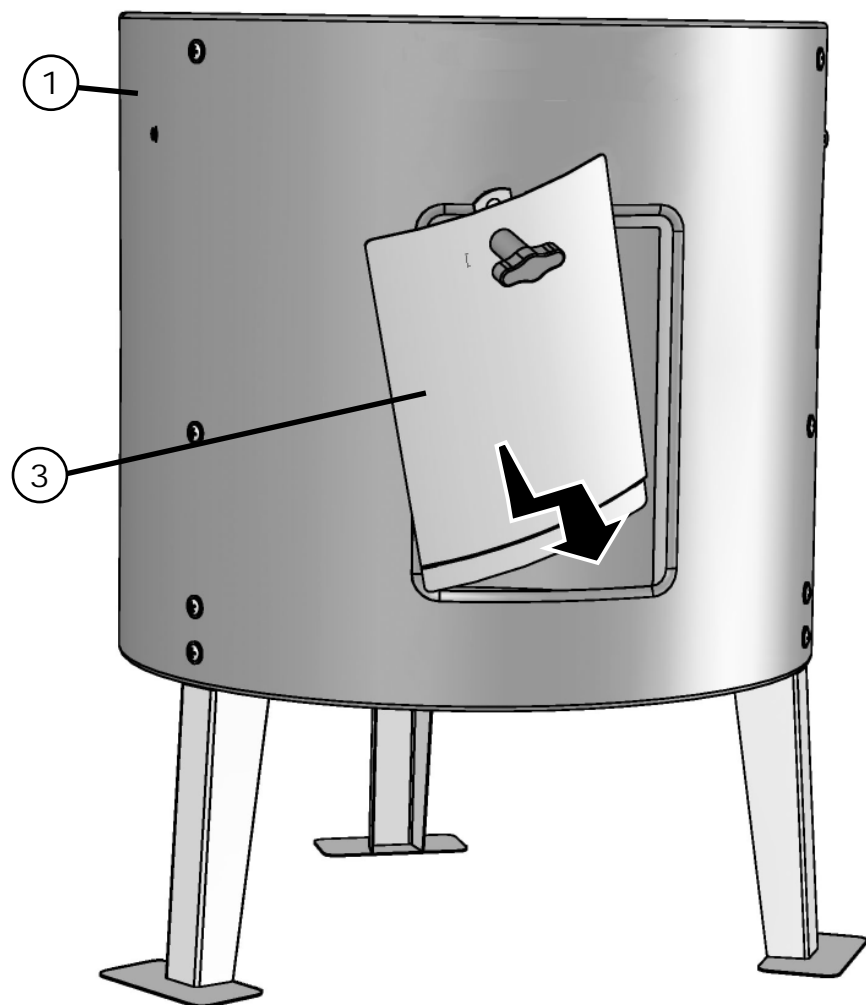
**6**



3



4



## AVERTISSEMENTS GÉNÉRAUX ET RENSEIGNEMENTS CONCERNANT LA SÉCURITÉ



### LISEZ TOUTES LES INSTRUCTIONS

- Veuillez toujours utiliser cet appareil conformément aux lois sur la prévention des incendies locales, provinciales et fédérales en vigueur.
- Vérifiez tous les écrous, vis et boulons avant chaque utilisation afin de vous assurer qu'ils sont bien serrés.
- Ne faites jamais chauffer l'appareil sous une construction aérienne comme une toiture, un abri d'auto, un auvent ou un avant-toit.
- Appareil pour **USAGE EXTÉRIEUR SEULEMENT**.
- Ne l'utilisez jamais à l'intérieur, dans des endroits clos comme les patios, garages, bâtiments ou tentes.
- N'utilisez jamais l'appareil à l'intérieur ou dans un véhicule récréatif ou un bateau.
- Maintenez une distance minimale de 3 m (10 pi) à partir de tout élément de construction aérien, des murs ou des mains courantes.
- Maintenez un dégagement minimal de 3 m (10 pi) de tout matériau combustible comme le bois, les plantes sèches, l'herbe, les broussailles, le papier ou les toiles.
- N'utilisez jamais l'appareil pour autre chose que son utilisation prévue. Cet appareil **N'EST PAS** destiné à un usage commercial.
- Les accessoires qui ne sont pas fournis par Masterbuilt Manufacturing, Inc. ne sont **PAS** recommandés et pourraient causer des blessures.
- L'usage d'alcool ou de médicaments vendus avec ou sans ordonnance pourrait compromettre la capacité de l'utilisateur à correctement assembler ou à faire fonctionner l'appareil en toute sécurité.
- Gardez un extincteur à portée de main en tout temps pendant que l'appareil chauffe.
- Lorsque vous cuisez des aliments avec de l'huile ou du gras, ayez un extincteur de type BC ou ABC à portée de main.
- En cas de feu d'huile ou de graisse, ne tentez pas de l'éteindre avec de l'eau. Appelez immédiatement le service d'incendie. Un extincteur de type BC ou ABC pourrait, en certaines circonstances, contenir l'incendie.
- Utilisez l'appareil sur une surface plane, non combustible et stable comme le sol, le béton, la brique ou la pierre. Une surface asphaltée peut ne pas convenir dans ce but.
- L'appareil **DOIT** être au sol. Ne placez pas l'appareil sur une table ou sur un comptoir. Ne déplacez pas l'appareil sur des surfaces accidentées.
- N'utilisez pas cet appareil sur une surface en bois ou inflammable.
- Gardez l'unité à distance de tout matériau combustible comme l'essence et les autres gaz et liquides inflammables.
- Ne laissez pas l'appareil sans surveillance.
- Gardez les enfants et animaux de compagnie à distance de l'appareil en tout temps. Ne permettez pas aux enfants d'utiliser cet appareil. Une surveillance attentive est nécessaire si des enfants ou des animaux de compagnie sont présents dans la zone où l'appareil est utilisé.
- Ne laissez personne faire des activités à proximité de l'appareil pendant qu'il chauffe ou avant qu'il n'ait refroidi.
- N'utilisez jamais d'ustensiles de cuisson en verre, en plastique ou en céramique dans l'appareil. Ne mettez jamais un ustensile de cuisson vide dans l'appareil pendant qu'il chauffe.
- Ne déplacez jamais l'appareil pendant qu'il chauffe. Laissez l'appareil refroidir complètement [en dessous de 45 °C (115 °F)] avant de le déplacer ou de le ranger.
- Rangez-le seulement lorsque le feu est complètement éteint et que toutes les surfaces sont froides.
- N'utilisez jamais l'appareil comme appareil de chauffage (**LISEZ LA RUBRIQUE SUR LE RISQUE LIÉ AU MONOXYDE DE CARBONE**).
- L'appareil est **CHAUD** pendant son utilisation et restera **CHAUD** pendant un certain temps au cours de la période de refroidissement. Faites **ATTENTION**. Portez des gants ou mitaines de protection.
- Procédez avec prudence quand vous enlevez des aliments de l'appareil. Toutes les surfaces sont **CHAUDES** et pourraient causer des brûlures. Utilisez des mitaines/gants protecteurs ou des ustensiles de cuisine robustes à manche long pour vous protéger des surfaces chaudes ou des éclaboussures provenant des liquides de cuisson.
- **ÉVITEZ** de heurter ou de bousculer l'appareil, car cela pourrait causer des blessures, endommager l'appareil ou renverser des liquides de cuisson chauds.
- Ne touchez pas les surfaces **CHAUDES**.

**AVERTISSEMENTS ET MISES EN GARDE IMPORTANTES (SUITE À LA PAGE 7)**



## AVERTISSEMENTS GÉNÉRAUX ET RENSEIGNEMENTS CONCERNANT LA SÉCURITÉ



### AVERTISSEMENTS ET MISES EN GARDE IMPORTANTES (SUITE DE LA PAGE 6)

- L'unité a une flamme nue. Garder les mains, les cheveux et le visage loin de la flamme. Ne pas se pencher sur l'unité lors de l'allumage. Les cheveux en vrac et les vêtements peuvent prendre feu.
- Les entrées d'air sont CHAUDES pendant l'utilisation de l'appareil et la période de refroidissement; portez des gants de protection pour les régler.
- Cet appareil a une flamme nue. Gardez vos mains, vos cheveux et votre visage à l'écart de la flamme. Ne vous penchez pas au-dessus de l'appareil pour l'allumer. Vos cheveux et vos vêtements pourraient s'enflammer.
- N'obstruez pas le flux de la combustion et de la ventilation.
- Ne recouvrez pas les tablettes avec une feuille métallique. Cela emprisonnerait la chaleur et pourrait endommager l'appareil.
- Ne laissez jamais des cendres ou du charbon chauds sans surveillance.
- Le combustible doit être maintenu chauffé au rouge pendant au moins 30 minutes avant l'usage.
- Ne cuisinez pas avant que le carburant ne soit couvert d'une couche de cendres.
- N'enlevez pas les cendres tant que les cendres et le charbon de bois sont encore CHAUDS.
- Gardez les mains, les cheveux et le visage éloignés du charbon de bois en combustion. Prenez garde à vos cheveux et vêtements pendant la cuisson, car ils pourraient prendre feu.
- Utilisez des gants de protection lorsque vous utilisez cet appareil ou manipulez du feu. Utilisez des gants de protection ou des outils de cuisson longs et robustes pour ajouter du bois ou charbon de bois.
- N'utilisez jamais d'essence pour allumer du charbon de bois.
- Trop remplir le bol de charbon de bois peut entraîner des blessures graves et endommager l'appareil.
- N'ajoutez jamais de liquide d'allumage une fois que le charbon de bois a pris feu. Suivez les instructions indiquées sur le contenant de liquide d'allumage.
- Disposez des cendres froides en les mettant dans une feuille d'aluminium, les mouillant complètement avec de l'eau et les jetant dans un contenant non combustible.

## CONSERVEZ CES INSTRUCTIONS

### FONCTIONNEMENT DU FUMOIR - LISEZ ET SUIVEZ ATTENTIVEMENT TOUTES LES INSTRUCTIONS

#### POUR COMMENCER

- Préparez votre fumoir avant sa première utilisation. Consultez les **INSTRUCTIONS DE PRÉPARATION**.
- Avant d'allumer l'appareil, consultez **AJOUT DE COPEAUX DE BOIS**.
- Ne couvrez pas le couvercle du fumoir et / ou la porte d'accès, sauf si nécessaire. Le couvercle du fumoir ouvert et / ou la porte d'accès provoque la chaleur pour échapper et peuvent causer le bois à flamber. La fermeture du couvercle du fumoir et / ou la porte d'accès sera re-stabiliser la température et arrêter flamber.
- Si les copeaux de bois flambent immédiatement fermer le couvercle du fumoir et / ou la porte d'accès, attendez les copeaux de bois à brûler vers le bas puis le couvercle du fumoir ouvert et / ou la porte d'accès à nouveau.

**ATTENTION** : toutes les surfaces sont CHAUDES et pourraient causer des brûlures. Utilisez des gants de protection ou des outils de cuisson longs et solides lorsque vous chargez/déchargez les grilles ou la nourriture et lorsque vous ajoutez du charbon de bois, des copeaux de bois ou de l'eau.

#### INSTRUCTIONS DE PRÉPARATION

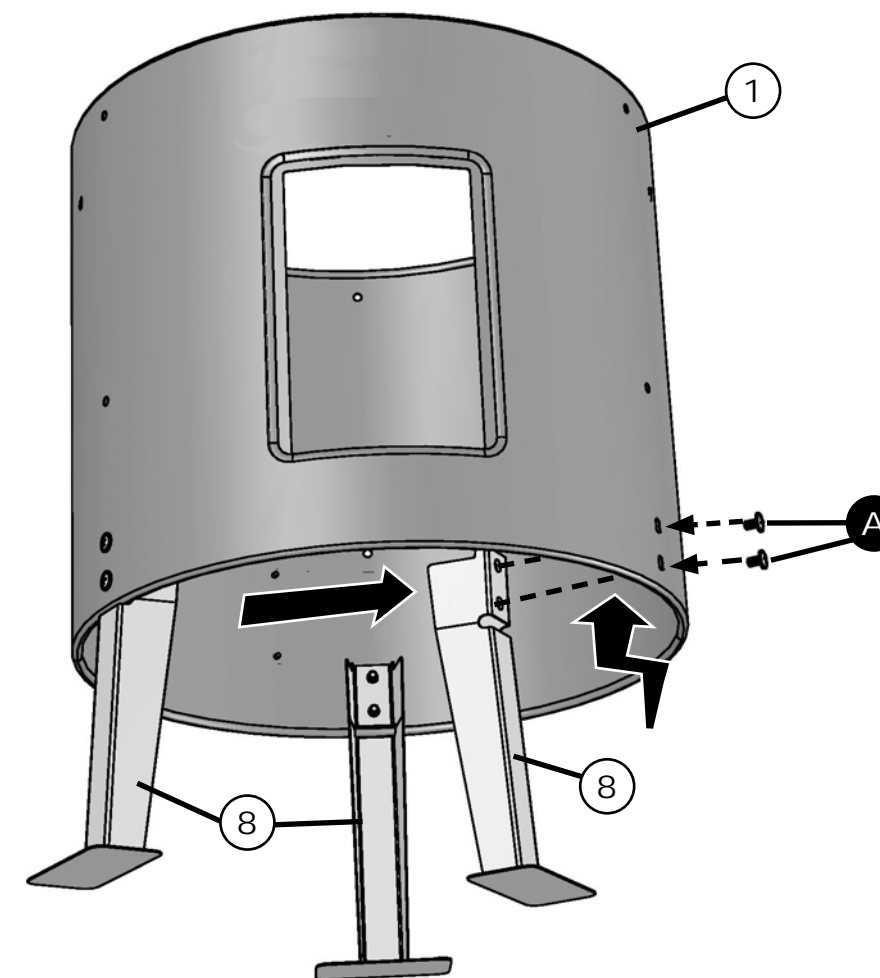
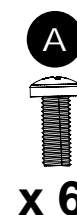
La préparation de votre fumoir le débarrassera des produits chimiques et huiles laissées au cours du procédé de fabrication en leur permettant de brûler.

#### PRÉPAREZ VOTRE FUMOIR AVANT SA PREMIÈRE UTILISATION.

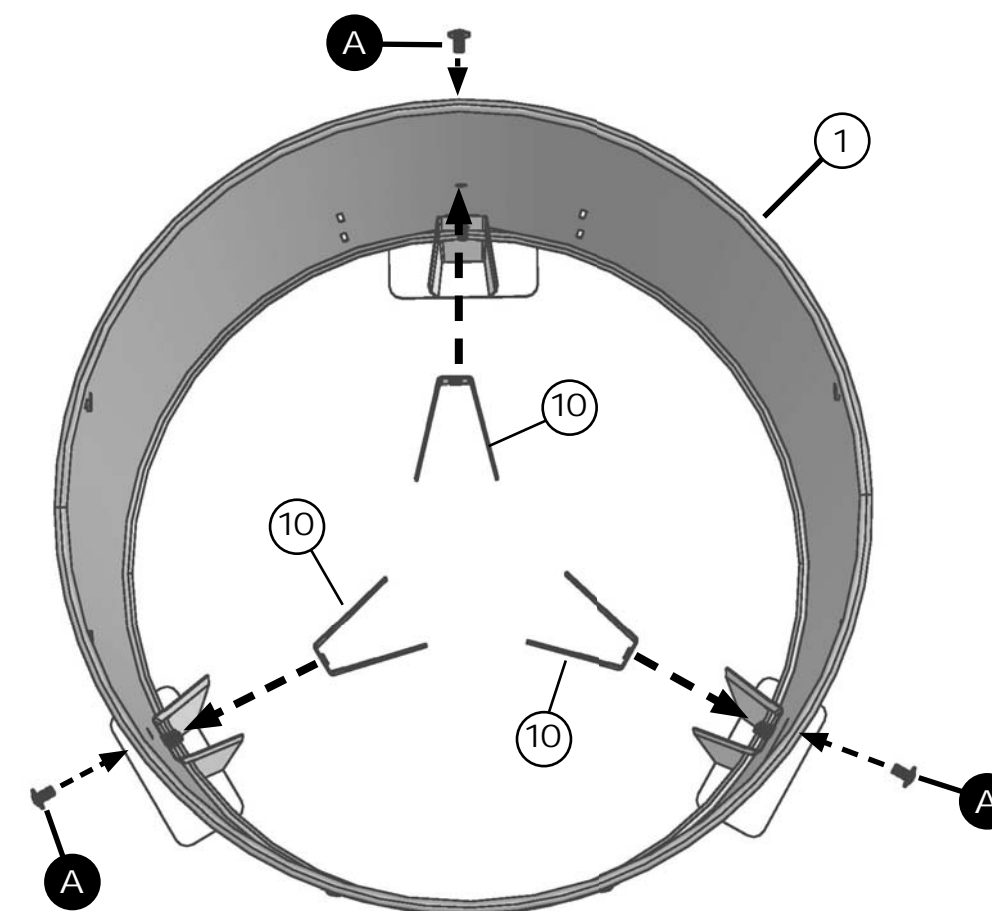
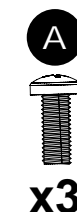
1. En utilisant une serviette ou d'un chiffon, frottez une légère couche d'huile de cuisson sur des étagères fumeurs, couvercle et / ou la porte d'accès. Assurez-vous que le bac à eau est en place sans eau.
2. Positionnez le bol de charbon de bois et remplissez-le jusqu'à 3,6kg (8lbs) de charbon de bois (**voir la notice**), le charbon de bois clair. Couvrez le couvercle et la porte d'accès OUVERT. Dans environ 15 minutes lorsque les flammes meurent, répandez des briquettes en une seule couche. Ajoutez jusqu'à 1 tasse de copeaux de bois (**voir AJOUT copeaux de bois**) dans un bol de charbon de bois. Fermez le couvercle et la porte d'accès.
3. Laissez le fumoir chauffer pendant environ 1 heure. Assurez-vous que la température atteigne 177 °C (350 °F).
4. Laissez l'appareil refroidir complètement.
5. Renouvelez la légère couche d'huile de cuisson sur des étagères fumeurs, couvercle et / ou la porte d'accès.
6. Redémarrez le fumoir et laissez-le chauffer pendant 20 minutes.
  - **Traitez ainsi périodiquement votre fumoir pour prévenir une corrosion excessive.**

## ASSEMBLY, ASSEMBLAGE, ENSAMBLAJE

# 1

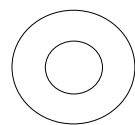


# 2

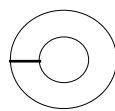




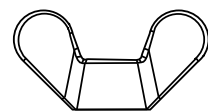
**(A)**  
M6x12  
Qty-12  
Qté.- 12  
Cant.- 12



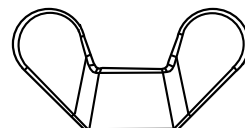
**(B)**  
M6 Flat  
Qty-6  
Qté.- 6  
Cant.- 6



**(C)**  
M6 Lock  
Qty-6  
Qté.- 6  
Cant.- 6



**(D)**  
M6x1  
Qty-6  
Qté.- 6  
Cant.- 6



**(E)**  
M8x1.25  
Qty-1  
Qté.- 1  
Cant.- 1  
*(packaged with temperature gauge)*  
*(fourni avec la jauge de température)*  
*(empaquetado con indicador de temperatura)*

• **BEFORE ASSEMBLY READ ALL INSTRUCTIONS CAREFULLY.**

• **ASSEMBLE UNIT ON A CLEAN, FLAT SURFACE.**

• **TOOLS NEEDED: Phillips Head Screwdriver**

\*\* It is possible that some assembly steps have been completed in the factory. \*\*

• **AVANT L'ASSEMBLAGE, LIRE ATTENTIVEMENT TOUTES LES INSTRUCTIONS.**

• **ASSEMBLER L'APPAREIL SUR UNE SURFACE PLANE ET PROPRE.**

• **OUTILS NÉCESSAIRES : TOURNEVIS CRUCIFORME.**

\*\*Il est possible que certaines étapes d'assemblage aient été effectuées en usine.\*\*

• **ANTES DEL ENSAMBLAJE LEA TODAS LAS INSTRUCCIONES CUIDADOSAMENTE.**

• **ENSAMBLE LA UNIDAD EN UNA SUPERFICIE LIMPIA Y PLANA.**

• **HERRAMIENTA NECESARIA: DESTORNILLADOR EN CRUZ.**

\*\*Algunos pasos del ensamblaje pueden ya estar completados debido a un preensamblaje en fábrica.\*\*

**AJOUT DE COPEAUX DE BOIS**

1. Vous pouvez utiliser des copeaux de bois secs ou trempés dans votre fumoir. Les copeaux secs brûlent plus rapidement et produisent une fumée plus intense. Les copeaux trempés dans de l'eau (pendant approximativement 30 minutes) brûlent plus lentement et produisent une fumée moins intense.
2. Une fois le charbon de bois étalé sur une seule couche et prêt pour la cuisson, mettez jusqu'à 240 ml (1 tasse) de copeaux de bois dans le bol avec le charbon de bois.
3. **N'UTILISEZ JAMAIS PLUS DE 240 ML (1 TASSE) DE COPEAUX DE BOIS À LA FOIS. N'utilisez jamais de granules de bois.**
4. Ajoutez d'autres copeaux de bois dans le fumoir selon les besoins pour obtenir la saveur de fumée désirée.
  - **Vous devez utiliser des copeaux de bois pour produire de la fumée et donner une saveur de fumée.**

**INSTRUCTIONS**

1. Mettez le bol à charbon de bois en place.
2. Remplissez un bol de charbon de bois avec jusqu'à 3,6kgs (8lbs) de charbon de bois. Empilez Briquettes dans une pyramide.
3. Ajouter à briquet suivant les instructions sur le contenant de fluide. Avant d'allumer, placer briquet au moins 25 pieds (8m) loin de l'unité. Ne pas se pencher sur l'unité lors de l'allumage du charbon de bois. **Charbon Lumière. Couverture CONGÉ et porte d'accès OUVERT.**
4. Après environ 15 minutes, les flammes s'éteindront et les briquettes commenceront à se recouvrir de cendres. Lorsque les briquettes sont complètement recouvertes de cendres, étalez-les sur une seule couche.
5. Enfilez des gants de protection et mettez la cuvette d'eau en place. Versez 2,5 cm (1 po) d'eau, de jus ou de vinaigre dans la cuvette d'eau. Cela ajoutera de la saveur et de l'humidité aux aliments et empêchera qu'ils se dessèchent.
6. Ne couvrez PAS les étagères avec une feuille d'aluminium, car cela empêchera la chaleur de circuler correctement.
7. Préchauffez le fumoir pendant 30 à 45 minutes à la température maximale avant d'y mettre les aliments.
8. Placez les aliments dans le fumoir, au centre des étagères. **ATTENTION** : toutes les surfaces sont **CHAUDES** et pourraient causer des brûlures. Utilisez des gants de protection ou des outils de cuisson longs et robustes.
9. **NE** surchargez PAS le fumoir avec de la nourriture. De trop grandes quantités de nourriture pourraient emprisonner la chaleur, prolonger le temps de cuisson et produire une cuisson inégale. Laissez de l'espace entre les aliments sur les étagères et les côtés du pour assurer une bonne circulation de la chaleur. Si vous utilisez des bacs de cuisson, placez les bacs au centre de l'étagère pour assurer une cuisson uniforme.
10. Ajustez les entrées d'air du fumoir pour obtenir la température de cuisson désirée.
  - Fermez toutes les entrées d'air pour garder la chaleur et l'humidité à l'intérieur de l'appareil. Si vous faites cuire des aliments comme du poisson ou de la viande séchée, ouvrez les entrées d'air pour laisser évacuer l'humidité.
11. Des températures extrêmement froides peuvent prolonger le temps de cuisson.
12. Une fois la cuisson complétée, laissez l'appareil refroidir, puis suivez les **INSTRUCTIONS POUR LE NETTOYAGE ET L'ENTREPOSAGE**. **NETTOYEZ APRES CHAQUE UTILISATION.** Cela prolongera la durée de vie de votre fumoir et empêchera les moisissures de se former.

**INSTRUCTIONS POUR LE NETTOYAGE ET L'ENTREPOSAGE**

- **VEUILLEZ TOUJOURS VOUS ASSURER QUE L'APPAREIL EST FRAIS AU TOUCHER AVANT DE LE NETTOYER ET DE LE RANGER.**
- Assurez-vous de nettoyer le fumoir après chaque utilisation.
- Utilisez un détergent à vaisselle doux pour les étagères, grilles, supports, le bac à eau et le plateau d'égouttement. Rincez et asséchez avec soin.
- Après chaque utilisation, une fois les cendres refroidies, nettoyez le bol à de charbon de bois, enlevez les résidus, les cendres et la poussière.
- Disposez des cendres froides en les mettant dans une feuille d'aluminium, les mouillant complètement avec de l'eau et les jetant dans un contenant non combustible.
- Pour garder l'appareil en bon état de fonctionnement, essuyez simplement l'intérieur, l'extérieur et les joints de porte après chaque utilisation avec un linge humide. N'utilisez pas un agent de nettoyage. Assurez-vous de bien assécher l'appareil.
- Après l'avoir nettoyé, rangez l'appareil dans un **ENDROIT SEC**.
- Rangez-le seulement lorsque le feu est complètement éteint et que toutes les surfaces sont froides.
- Lorsque vous ne vous en servez pas souvent et le couvrez, rappelez-vous de vérifier votre fumoir périodiquement afin d'éviter la rouille et la corrosion dues à l'accumulation d'humidité.
- Vous pouvez visionner une vidéo expliquant le nettoyage de votre fumoir étape par étape à [www.youtube.com/Masterbuilt Electric Smokehouse](http://www.youtube.com/MasterbuiltElectricSmokehouse) : Nettoyage et entreposage.

## ! PELIGRO DE MONÓXIDO DE CARBONO !

Quemar trozos de madera o carbón genera monóxido de carbono, el cual no tiene olor y puede causar la muerte.  
**NO quemar los trozos de madera o carbón dentro de los hogares, vehículos, tiendas de acampar, garajes o cualquier área cerrada.**  
**USE SOLAMENTE AL AIRE LIBRE donde está bien ventilado.**

## ! ADVERTENCIA !

Este manual contiene información importante necesaria para el correcto ensamblaje y uso seguro del artefacto.  
**Lea y siga todas las advertencias e instrucciones antes de ensamblar y usar el aparato.**  
**Siga todas las advertencias e instrucciones cuando use la unidad.**  
**Conserve este manual para referencia en el futuro.**

! Si no sigue estas instrucciones, podría producirse un peligro de incendio, explosión o quemadura, lo cual podría causar daños a la propiedad, lesiones personales o la muerte. !

## ! PELIGRO !

1. Nunca opere este artefacto desatendido.
2. Nunca opere este artefacto dentro de 10 pies (3 m) de cualquier estructura, material combustible o cilindro de gas.
3. Nunca opere este artefacto dentro de 25 pies (7.5 m) de cualquier líquido inflamable.
4. Si ocurriera un incendio, manténgase alejado del artefacto y llame inmediatamente a su estación de bomberos. No intente apagar un incendio de aceite o grasa con agua.

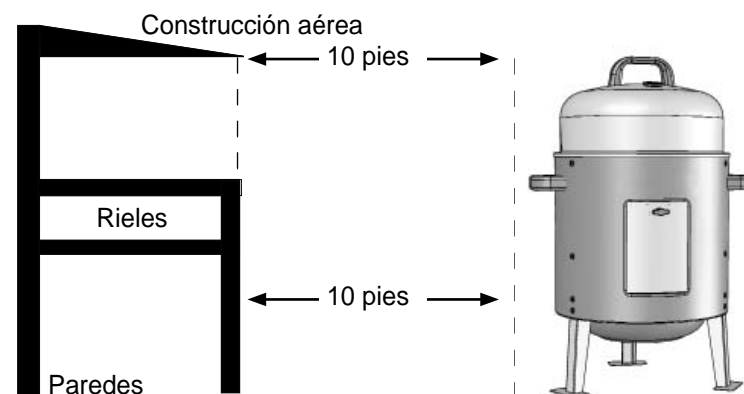
## ! ADVERTENCIA !

### PROPUESTA 65 DE CALIFORNIA

1. Los subproductos combustibles producidos a raíz de la utilización de este producto contienen químicos cuyos efectos son reconocidos por el Estado de California por causar cáncer, defectos de nacimiento y otros daños reproductivos.
2. Este producto contiene químicos, cuyos efectos son reconocidos por el Estado de California por causar cáncer, defectos de nacimiento u otros daños reproductivos.

## RECOMENDACIONES DE PROXIMIDAD ESTRUCTURAL Y USO SEGURO

**RECORDATORIO: NUNCA OPERE ESTE AHUMADOR BAJO NINGUNA CONSTRUCCIÓN AÉREA. CONSERVE UNA DISTANCIA MÍNIMA DE 10 PIES (3M) DESDE UNA CONSTRUCCIÓN AÉREA, PAREDES O RIELES. VER DIAGRAMA.**



! **ADVERTENCIA: LAS PATAS DEL AHUMADOR SON UN PELIGRO DE TROPIEZO** !

## REPLACEMENT PARTS LIST, LISTE DES PIÈCES DE RECHANGE, LISTA DE PARTES DE REPUESTO

REPLACEMENT PART	PIÈCE DE RECHANGE	REPUESTO	NO/Nº/NO	APPLIES TO ITEM/POUR ARTICLE/ SE APLICA AL ARTÍCULO
Body Kit	Trousse de bâti	Kit del cuerpo	990060064	20060116, 20060416, 20060616
Leg Kit	Trousse de pied	Kit del pata	990060066	20060116, 20060416, 20060616
Lid Kit	Kit de couvercle	Kit del tapa	990060063	20060116, 20060416, 20060616
Handle Kit	Trousse de poignée	Kit del mango	990060194	20060116, 20060416, 20060616
Smoking Rack Support Brackets Kit	Fumeurs rack de Trousse de Supports	Kit de Soportes de estante de fumadores	990060060	20060116, 20060416, 20060616
Water Bowl/Smoking Rack Support Brackets Kit	Trousse de Eau Bowl / fumeurs supports pour rack	Kit de Agua de la taza / fumadores Soportes de estante	990060061	20060116, 20060416, 20060616
Temperature Gauge Kit	Ensemble thermomètre	Kit del medidor de temperatura	990060073	20060116, 20060416, 20060616
Access Door	Porte d'accès	Puerta De Acceso	909050003	20060116, 20060416, 20060616
Smoking Rack	Étagère fumeurs	Estante de fumadores	911060031	20060116, 20060416, 20060616
Water Bowl	Réservoir d'eau	Bandeja de agua	9007080034	20060116, 20060416, 20060616
Charcoal Bowl	Cuvette de charbon	Carbón Tazón	909050005	20060116, 20060416, 20060616
Hardware Bag	Trousse de quincaillerie	Kit de accesorios	998050008	20060116, 20060416, 20060616
Instruction Manual	Mode d'emploi	Manual de instrucciones	9806150005	20060116, 20060416, 20060616

Replacement parts may vary by item number of model. Les pièces de rechange peuvent varier selon le numéro de l'article du modèle. Las piezas de repuesto pueden variar según el número de artículo del modelo.



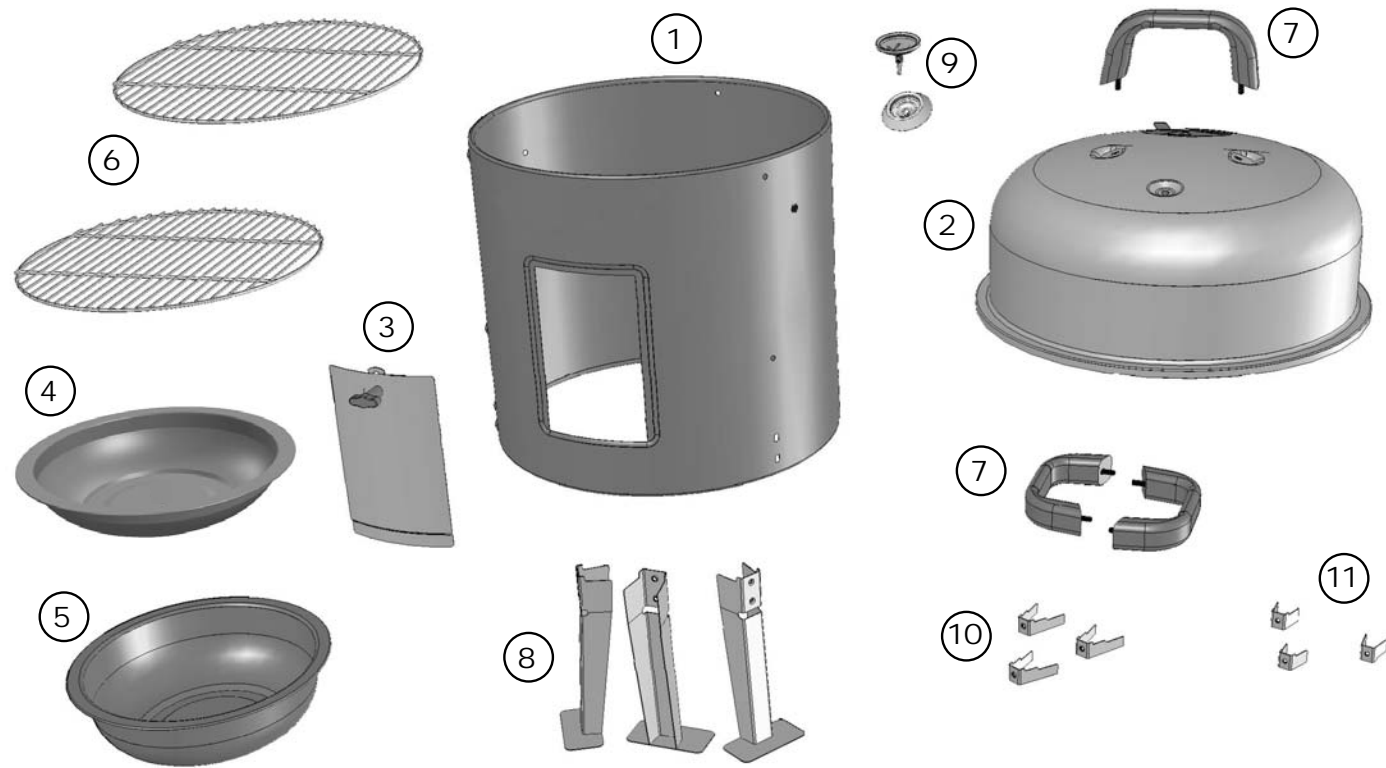
**DO NOT RETURN TO RETAILER** For Assembly Assistance, Missing or Damaged Parts  
 Call: MASTERBUILT Customer Service at 1-800-489-1581.  
 Please have Model Number and Serial Number available when calling.  
 These numbers are located on the silver label on the back of unit.



**NE PAS RENOYER AU DÉTAILLANT** pour obtenir de l'aide pour l'assemblage, des pièces manquantes ou endommagées  
 Appelez le service à la clientèle de MASTERBUILT au 1-800-489-1581.  
 Veuillez avoir le numéro de modèle et le numéro de série à portée de main lors de l'appel.  
 Ces numéros se trouvent sur l'étiquette argentée au dos de l'appareil.



**NO REGRESE AL MINORISTA** Para obtener asistencia con el ensamble, piezas dañadas o faltantes  
 Llame a: Servicio al cliente MASTERBUILT al 1-800-489-1581.  
 Antes de llamar tenga a la mano los números de modelo y serie.  
 Estos números se encuentran en la etiqueta plateada en la parte posterior de la unidad.



NO/NO	QTY/QTÉ./CANT.	DESCRIPTION	DESCRIPTION	DESCRIPCIÓN
1	1	Smoker Body	Porte du fumoir	Puerta del ahumador
2	1	Smoker Lid	Couvercle du fumoir	Tapa ahumador
3	1	Access Door	Porte d'accès	Puerta De Acceso
4	1	Water Bowl	Réservoir d'eau	Bandeja de agua
5	1	Charcoal Bowl	Cuvette de charbon	Carbón Tazón
6	2	Smoking Rack	Étagère fumeurs	Estante de fumadores
7	3	Handle	Poignée du corps	Mango cuerpo
8	3	Leg	Jambe	Pierna
9	1	Temperature Gauge with Bezel	Jauge de température avec lunette	Medidor de temperatura Bisel Con
10	3	Water Bowl/Smoking Rack Support Brackets (large)	Eau Bowl / fumeurs supports pour rack (grand)	Agua de la taza / fumadores Soportes de estante (grande)
11	3	Smoking Rack Support Brackets (small)	Supports de rack fumeurs (petit)	Soportes de estante de fumadores (pequeña)



**INFORMACIÓN DE SEGURIDAD Y ADVERTENCIAS GENERALES**



**LEA TODAS LAS INSTRUCCIONES**

- Siempre use la unidad en conformidad con todos los códigos contra incendios locales, estatales y federales aplicables.
- Antes de cada uso, verifique todas las tuercas, tornillos y pernos para asegurarse que estén firmes y asegurados.
- Nunca opere esta unidad bajo cualquier construcción aérea, como cubiertas de techos, porches de autos, toldos o voladizos.
- La unidad es SOLO PARA USO EN EXTERIORES.
- Nunca use dentro de áreas cerradas como patios, garajes, edificios o tiendas.
- Nunca use dentro o sobre botes o vehículos recreativos.
- Mantenga una distancia mínima de 10 pies (3m) de construcciones aéreas, paredes, rieles u otras estructuras.
- Mantenga un mínimo de 10 pies (3m) de espacio libre de todos los materiales combustibles como madera, plantas secas, césped, escobillas, papel o lienzos.
- Nunca use esta unidad para ninguna otra cosa que no sea su propósito intencionado. Esta unidad NO es para uso comercial.
- NO se recomienda usar accesorios adicionales no suministrados por Masterbuilt Manufacturing, Inc.; estos podrían causar lesiones.
- El uso de alcohol y de medicamentos con o sin receta pueden obstaculizar la habilidad del usuario de ensamblar u operar correctamente la unidad.
- Conserve un extintor de incendios accesible en todo momento mientras opere la unidad.
- Cuando cocine con aceite o grasa, tenga un extintor tipo BC o ABC a disponibilidad.
- En caso de un incendio de aceite o grasa, no intente extinguirlo con agua. Llame inmediatamente al departamento de bomberos. En ciertos casos, un extintor tipo BC o ABC puede contener el incendio.
- Use la unidad sobre una superficie no combustible y estable tal como tierra, concreto, ladrillo o piedra. Mejor no utilizar una superficie de asfalto (bituminosa) para este propósito.
- La unidad DEBE estar sobre el suelo. No coloque la unidad en mesas o mostradores. NO mueva la unidad por superficies desniveladas.
- No use la unidad en superficies de madera o inflamables.
- Mantenga el área alrededor de la unidad despejada y libre de materiales combustibles, como gasolina y otros vapores y líquidos inflamables.
- No deje la unidad desatendida.
- Mantenga a los niños y mascotas lejos de la unidad en todo momento. NO permita que los niños usen la unidad. Es necesaria una supervisión cercana si hay niños o mascotas en el área donde su usa la unidad.
- NO permita que nadie realice actividades alrededor a esta unidad durante o después de su uso hasta que se haya enfriado.
- Nunca use recipientes de vidrio, plástico o cerámica en la unidad. Nunca coloque utensilios vacíos en la unidad mientras esté en uso.
- Nunca mueva la unidad cuando esté en uso. Deje que la unidad se enfríe completamente (por debajo de los 115°F (45°C) antes de moverla o guardarla.
- Almacene únicamente cuando el fuego esté totalmente apagado y todas las superficies estén frías.
- Nunca utilice esta unidad como un calentador (LEER PELIGRO DE MONÓXIDO DE CARBONO).
- La unidad está CALIENTE mientras está en uso y permanecerá CALIENTE por un cierto período de tiempo y durante el proceso de enfriamiento. Tenga PRECAUCIÓN. Use guantes/mitones de protección.
- Tenga cuidado cuando retire los alimentos de la unidad. Todas las superficies están CALIENTES y pueden causar quemaduras. Use guantes/mitones de protección o herramientas de cocción resistentes para protegerse de las superficies calientes o las salpicaduras de los líquidos de la cocción.
- NO choque o golpee la unidad para evitar lesiones personales, daños a la unidad o derrames/salpicaduras del líquido de cocción caliente.
- No toque las superficies CALIENTES
- La unidad está caliente durante su uso. Para evitar quemaduras, mantenga el rostro y cuerpo lejos de la(s) puerta(s) y ductos. Se expelen vapor y aire caliente durante el uso.
- Los reguladores de aire están CALIENTES mientras la unidad esté en uso y durante el enfriamiento; use guantes protectores cuando realice ajustes.

**LAS ADVERTENCIAS Y SALVAGUARDAS IMPORTANTES CONTINÚAN EN LA PÁGINA 11**



## INFORMACIÓN DE SEGURIDAD Y ADVERTENCIAS GENERALES



# ADVERTENCIAS Y SALVAGUARDAS IMPORTANTES CONTINUACIÓN DESDE LA PÁGINA 10

- La unidad tiene una llama abierta . Mantenga las manos, cabello y la cara lejos de la llama. No se incline sobre la unidad cuando la iluminación. El pelo suelto y ropa pueden incendiarse.
- **NO** obstruya el flujo de combustión y ventilación.
- No cubra las rejillas de cocción con papel aluminio. Esto atraparé el calor y podría causar daños a la unidad.
- Nunca desatienda el carbón o las cenizas CALIENTES.
- El combustible debe mantenerse al rojo vivo al menos por 30 minutos antes de su uso.
- No cocine antes que el combustible tenga una cubierta de cenizas.
- No retire la bandeja para cenizas mientras las cenizas y el carbón estén CALIENTES.
- Mantenga sus manos, cabello y rostro lejos del carbón quemando. Tenga cuidado con los cabellos y la ropa sueltos durante la operación ya que pueden incendiarse.
- Use guantes protectores cuando manipule esta unidad o cuando trabaje con fuego. Use guantes protectores o herramientas de cocina largas y robustas cuando agregue madera o carbón.
- Nunca use gasolina para encender el carbón vegetal.
- Si sobrecarga el tazón del carbón, puede causar lesiones graves y dañar la unidad.
- Nunca agregue líquido encendedor adicional una vez que el carbón se ha encendido. Siga las instrucciones sobre el envase del líquido encendedor.
- Deseche las cenizas frías colocándolas en papel aluminio, remojándolas en agua y desechándolas en un contenedor no combustible.

## CONSERVE ESTAS INSTRUCCIONES

### OPERACIÓN DEL AHUMADOR - LEA Y SIGA TODAS LAS INSTRUCCIONES CUIDADOSAMENTE

#### INICIO

- Cure previamente la unidad antes del primer uso. Ver **INSTRUCCIONES DEL CURADO PREVIO**.
- Antes de iniciar la unidad, ver **AGREGAR TROZOS DE MADERA**.
- Hacer tapa abierta no fumador y / o puerta de acceso a menos que sea necesario. Hábitos tapa de apertura y / o puerta de acceso hace que el calor se escape y pueden causar la madera a estallar. Al cerrar la tapa de fumador y / o puerta de acceso se volverá a estabilizar la temperatura y dejar de estallar.
- En caso de astillas de madera estallar de inmediato cierre la tapa fumador y / o puerta de acceso, esperen a que las virutas de madera para quemar y luego la tapa del ahumador abierta y / o puerta de acceso de nuevo.

**PRECAUCIÓN** - Todas las superficies están CALIENTES y pueden causar quemaduras. Use guantes protectores o herramientas de cocina largas y resistentes cuando cargue/descargue alimentos o rejillas, y cuando agregue los trozos de madera, carbón o agua.

#### INSTRUCCIONES DEL CURADO PREVIO

Curar su ahumador hará que la unidad se deshaga de sustancias químicas y aceites dejados por el proceso de fabricación, permitiendo que se quemen y desvanezcan.

#### CURE PREVIAMENTE SU AHUMADOR ANTES DEL PRIMER USO.

1. El uso de una servilleta o un paño, frote una ligera capa de aceite de cocina en bastidores de fumar, la tapa y / o puerta de acceso. Hacer la bandeja de agua esté en su sitio SIN AGUA.
2. Tazón posición carbón y rellenar con hasta 8 lbs (3.6kgs) de carbón (**VER MANUAL DE INSTRUCCIONES**), encender el carbón. tapa salir y puerta de acceso abierto. En unos 15 minutos, cuando las llamas se extinguen, se extendió briquetas en una sola capa. Añadir hasta 1 taza de astillas de madera (**VÉASE ADICIÓN DE VIRUTAS DE MADERA**) a un tazón de carbón. Cerrar la tapa y puerta de acceso.
3. Deje que el ahumador arda por aproximadamente 1 hora. Asegúrese que la temperatura alcance los 350°F (177°C).
4. Deje que la unidad se enfríe COMPLETAMENTE.
5. Vuelva a aplicar ligera capa de aceite de cocina en bastidores de fumar, tapa y / o puerta de acceso.
6. Reinicie el ahumador y deje quemar por 20 minutos.
  - **Cure su ahumador periódicamente para evitar el óxido excesivo.**

### OPERACIÓN DEL AHUMADOR - LEA Y SIGA TODAS LAS INSTRUCCIONES CUIDADOSAMENTE

#### AGREGAR TROZOS DE MADERA

1. Puede usar trozos de madera secos o previamente remojados en su ahumador. Los trozos secos se quemarán más rápido y producirán un humo más intenso. Los trozos previamente remojados en agua (por aproximadamente 30 minutos) se quemarán más lentamente y producirán un humo menos intenso.
2. Una vez que el carbón está esparcido en una sola capa y está listo para la cocción, coloque hasta 1 taza (0.24l) de trozos de madera dentro del tazón del carbón con el carbón.
3. **NO AGREGUE MÁS DE 1 taza (0.24l) DE TROZOS DE MADERA A LA VEZ. Nunca uso perlas de madera.**
4. Coloque los trozos de madera adicionales en el ahumador según sea necesario para lograr el sabor de ahumado deseado.
  - **Se debe usar trozos de madera para producir humo y crear el sabor de ahumado.**

#### INSTRUCCIONES DE OPERACIÓN

1. Coloque el tazón de carbón en su lugar.
2. Llenar un tazón de carbón con un máximo de 8 lbs (3.6kgs) de carbón vegetal. Briquetas apilar en una pirámide.
3. Añadir líquido de encendedor siguiendo las instrucciones indicadas en el envase de líquidos. Antes de la iluminación, colocar fuera de la unidad de líquido para encender al menos 25 pies (8m). No se incline sobre la unidad al encender el carbón. Encender el carbón. Tapa salir y acceso al portero automático.
4. En unos 15 minutos, las llamas se extinguirán y las briquetas comenzarán a soltar ceniza. Una vez que las briquetas se hayan convertido totalmente en cenizas, esparza las briquetas en una sola capa.
5. Con guantes protectores, coloque la bandeja de agua en posición. Vierta 1 pulgada de agua, jugo o vinagre en la bandeja de agua. Esto va a añadir sabor y humedad a los alimentos, y evitará que se sequen.
6. **NO** cubra las rejillas con papel de aluminio ya que esto no permitirá que el calor circule correctamente.
7. Caliente previamente el ahumador por 30 a 45 minutos a temperatura máx antes de colocar los alimentos.
8. Coloque los alimentos en el ahumador, en el centro de la rejilla de ahumado. **PRECAUCIÓN** - Todas las superficies están CALIENTES y pueden causar quemaduras. Use guantes protectores o herramientas de cocina largas y robustas.
9. **NO** sobrecargue el ahumador con alimentos. Las cantidades extra grandes de comida pueden atrapar el calor, extender el tiempo de cocción y causar una cocción desigual. Deje espacio entre los alimentos y los lados del ahumador para asegurar una correcta circulación. Si utiliza bandejas de cocción, colóquelas en el centro de la rejilla para asegurar una cocción uniforme.
10. Ajuste los reguladores de aire del ahumador a la temperatura deseada.
  - Cierre todos los reguladores de aire en la unidad para retener la humedad y el calor. Si cocina alimentos como pescado o carne seca, abra los reguladores de aire para dejar escapar la humedad.
11. Las temperaturas extremadamente frías pueden extender los tiempos de cocción.
12. Una vez terminada la cocción, deje que la unidad se enfríe y luego siga las **INSTRUCCIONES DE LIMPIEZA y ALMACENAMIENTO**. LIMPIE DESPUÉS DE CADA USO. Esto extenderá la vida de su ahumador y evitará el moho y los hongos.

#### INSTRUCCIONES DE LIMPIEZA y ALMACENAMIENTO

- **SIEMPRE ASEGÚRESE QUE LA UNIDAD ESTÉ FRÍA AL TACTO ANTES DE LIMPIAR Y ALMACENAR.**
- Asegúrese de limpiar el ahumador después de cada uso.
- Para los soportes de la rejilla, rejillas, bandeja de agua y bandeja de goteo, use un detergente para platos suave. Enjuague y seque exhaustivamente.
- Para el tazón de carbón y luego que se hayan enfriado las cenizas, limpie después de cada uso para retirar la acumulación de cenizas, los residuos y el polvo.
- Deseche las cenizas frías colocándolas en papel aluminio, remojándolas en agua y desechándolas en un contenedor no combustible.
- Para el interior y exterior de la unidad, simplemente limpie con un paño luego de cada uso para mantener la unidad en óptimas condiciones de funcionamiento. No use agentes de limpieza caseros. Asegúrese de secar exhaustivamente.
- Luego de la limpieza, almacene el ahumador en un área cubierta y SECA.
- Almacene únicamente cuando el fuego esté totalmente apagado y todas las superficies estén frías.
- Cuando no lo use con frecuencia y tenga una cubierta, recuerde revisar su ahumador periódicamente para evitar posible óxido y corrosión debido a la acumulación de humedad.
- Mire un video con instrucciones paso a paso sobre cómo limpiar su ahumador en [www.youtube.com/Masterbuilt Electric Smokehouse](http://www.youtube.com/MasterbuiltElectricSmokehouse): Limpieza y almacenamiento.