

This Owner's Manual is provided and hosted by [Appliance Factory Parts](#).



Signateur 1500111 Owner's Manual

[Shop genuine replacement parts for Signateur 1500111](#)



[Find Your Signateur Grill Parts - Select From 2 Models](#)

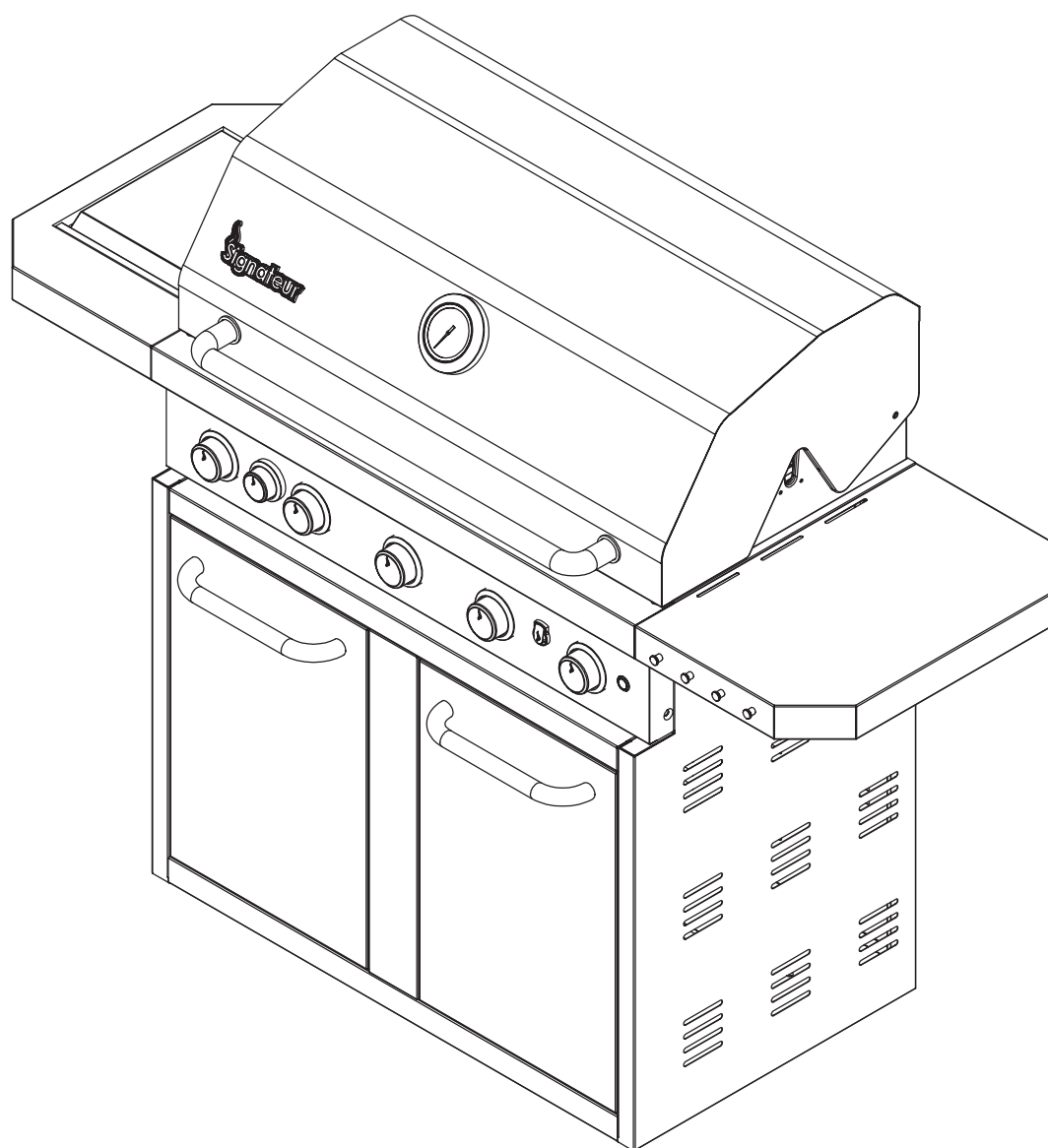
----- Manual continues below -----



ASSEMBLY & CARE INSTRUCTIONS

5 BURNER GRILL

Model No. 1500111



DUAL GAS VALVE



IMPORTANT!

RETAIN FOR FUTURE REFERENCE: READ CAREFULLY.



IMPORTANT SAFETY WARNINGS

WE WANT YOU TO ASSEMBLE AND USE YOUR GRILL AS SAFELY AS POSSIBLE. THE PURPOSE OF THIS SAFETY ALERT SYMBOL ▲ IS TO ATTRACT YOUR ATTENTION TO POSSIBLE HAZARDS AS YOU ASSEMBLE AND USE YOUR GRILL.

WHEN YOU SEE THE SAFETY ALERT SYMBOL ▲
PAY CLOSE ATTENTION TO THE INFORMATION WHICH FOLLOWS!
▲ READ ALL SAFETY WARNINGS AND INSTRUCTIONS CAREFULLY
BEFORE ASSEMBLING AND OPERATING YOUR GRILL.

▲ DANGER

IF YOU SMELL GAS:

1. Shut off gas to the appliance.
2. Extinguish any open flame.
3. Open lid.
4. If odor continues, keep away from the appliance and immediately call your gas supplier or your fire department.

FAILURE TO FOLLOW THESE INSTRUCTIONS COULD RESULT IN FIRE OR EXPLOSION IN WHICH COULD CAUSE PROPERTY DAMAGE, PERSONAL INJURY OR DEATH.

▲ WARNING

1. Do not store or use gasoline or other flammable liquids or vapors in the vicinity of this or any other appliance.
2. Not obstructing the flow of combustion and ventilation air.

▲ DANGER



- a) Do not store a spare LP cylinder under or near this appliance.
- b) Never fill the cylinder beyond 80% full.
- c) If the information in (a) and (b) is not followed exactly, a fire causing death or serious injury may occur.

▲ WARNING




HAZARDOUS EXPLOSION MAY RESULT IF THESE WARNINGS AND INSTRUCTIONS ARE IGNORED. READ AND FOLLOW ALL WARNINGS AND INSTRUCTIONS IN THIS MANUAL TO AVOID PERSONAL INJURY, INCLUDING DEATH OR PROPERTY DAMAGE.

▲ WARNING

THIS EQUIPMENT IS EQUIPPED TO OPERATE ON PROPANE GAS WHICH CONTAINS THE CHEMICAL BENZENE, KNOWN TO THE STATE OF CALIFORNIA TO CAUSE CANCER AND

TABLE OF CONTENTS:

General Warnings	3
LP Gas Cylinder (Tank) Specifications and Installation	4-5
Hose & Regulator Specifications and Installation	5-6
Leak Testing	6-7
Pre-start Check List	8
Lighting Instructions	8-9
Operating the Grill	10-11
Using Other Features of the Grill	11
Proper Care and Maintenance	12-13
Transporting and Storage	14
Trouble Shooting	15
Part List	16
Assembly Instruction	17-18
Warranty	19

-  **DANGER:** Indicates an imminently hazardous situation which, if not avoided, will result in death or serious injury.
-  **WARNING:** Be alert to the possibility of serious bodily injury if the instructions are not followed. Be sure to read and carefully follow all of the messages.
-  **CAUTION:** Indicates a potentially hazardous situation which, if not avoided, may result in minor or moderate injury.

GENERAL WARNINGS:

WARNING

- Leak test all connections before first use, even if grill was purchased fully assembled and after each tank refill. Check the propane tank rubber seal for damage.
- Always check the grill and propane tank prior to each use as indicated in the "Checking for Leaks" & "Pre-Start Check List" sections of this manual.
- Flavoring chips must be contained in a metal smoking box to contain ash and prevent fires.
- Ensure flames come out of all burner ports at each use. Spiders and insects like to build nests in burner tubes. Blocked burner tubes can prevent gas flow to the burners and could result in a burner tube fire or fire beneath the grill.
- Never check for leaks using a match or open flame.
- Never use or store gasoline, lighter fluid, paint thinner, or other flammable vapors and liquids or combustible materials in or near your grill.
- DO NOT block ventilation areas in sides, back or cart compartment of grill.
- DO NOT cover cooking grates or other components with aluminum foil, as this blocks ventilation and damage to grill or personal injury may occur.
- Never place more than 6.8kg/15 lbs on the side tables. DO NOT lean on the side tables. DO NOT lift grill using side tables.
- Keep children and pets away from the hot grill. DO NOT allow children to use or play near this grill.
- DO NOT leave the grill unattended while ON or in use.
- DO NOT allow the gas hose to come in contact with hot surfaces. Redirect the gas hose if necessary.
- DO NOT allow grease or hot drippings to fall on hose and regulator assembly. If this occurs, turn gas supply OFF at once. Empty grease tray/cup and clean the hose and regulator assembly and inspect for damage before use.
- Never cook on the grill without the grease cup/tray in position.
- Keep any electrical supply cords away from water or heated surfaces.
- DO NOT use water on a grease fire. Closing the lid to extinguish a grease fire is not possible. Use type BC dry chemical fire extinguisher or smother with dirt, sand or baking soda.
- DO NOT use while under the influence of drugs or alcohol.
- FOR OUTDOOR USE ONLY. DO NOT operate indoors or in an enclosed area such as a building, garage, shed or breezeway.
- Position your grill outdoors on a non-combustible level surface in a well ventilated location, a safe distance 3.1 m/10 ft from combustible materials, buildings and overhangs.
- Apartment dwellers: Check with management and follow the requirements and fire codes for using an LP gas grill in your apartment complex. Only use outside on the ground (not on a balcony, patio, garage, etc) with a 4.6 m/15 ft minimum clearance on back and all sides from any wall, structure or combustible material.
- Maintain a minimum clearance of 91.44 cm/36 in between back and all sides of grill, deck railings, walls or other combustible material. Not adhering to these clearances may prevent proper ventilation and can increase the risk of a fire and/or property damage, which could also result in personal injury. DO NOT use grill under overhead combustible construction.
- DO NOT use or install this grill in or on a recreational vehicle and/or boat.
- DO NOT build this model grill in any built-in or slide in construction.
- If a bristle brush is used to clean any of the cooking surfaces, ensure no loose bristles remain on the cooking surfaces prior to grilling as loose bristles may attach to food.
- DO NOT store items in cart than can catch fire or damage your grill (such as swimming pool supplies/chemicals, table cloth, wood chips).
- Grill is hot when in use. To avoid burns:
 - DO NOT attempt to move the grill.
 - Block the wheels so the unit does not accidentally move.
 - Wear protective gloves or oven mitts.
 - DO NOT touch any hot grill surfaces.
 - DO NOT wear loose clothing or allow hair to come in contact with grill.
- When grill is operated at high temperature settings for extended periods of time, the control panel and knobs will be abnormally hot to the touch.
- Not for commercial use. DO NOT use this grill for anything other than its intended purpose.

 USE CAUTION AND COMMON SENSE WHEN OPERATING YOUR GAS GRILL.

FAILURE TO ADHERE TO THE SAFETY WARNINGS AND GUIDELINES IN THIS MANUAL
COULD RESULT IN SEVERE BODILY INJURY OR PROPERTY DAMAGE.
SAVE THIS MANUAL FOR FUTURE REFERENCE.

LP GAS CYLINDER (TANK) SPECIFICATIONS AND INSTALLATION:

WARNING

- ONLY connect this grill to a Type 1 cylinder valve. The Type 1 valve can be identified with the large external threads on the valve outlet.
- DO NOT connect to a propane cylinder exceeding a 9.1 kg/20 lbs capacity.
- DO NOT connect to a cylinder that uses any other type of valve connection device.
- Inspect the propane tank valve rubber seal for cracks, wear or deterioration prior to use. A damaged rubber seal can cause a gas leak, possibly resulting in an explosion, fire or severe bodily harm.
- Turn off the cylinder valve when your grill is not in use.
- Handle the tank with care.
- Always secure the cylinder in an upright position.
- Never connect an unregulated LP gas cylinder to your grill.
- DO NOT expose LP gas cylinders to excessive heat or ignition sources.
- Allow only qualified LP gas dealers to fill or repair your LP gas cylinder.
- DO NOT allow the cylinder to be filled beyond 80% capacity.
- Read and follow all warnings and instructions that are on the cylinder and that accompany this product.

DANGER

- DO NOT store a spare LP gas cylinder (full or empty) under or near your grill. This could cause excess pressure to be expelled through the vapor relief valve resulting in fire, explosion, or severe personal injury, including death.
- Propane gas is heavier than air and will collect in low areas. Proper ventilation is extremely important. Keep the ventilation opening(s) of the LP gas cylinder enclosure free and clear from obstructions and debris.
- DO NOT insert any foreign objects into the cylinder valve outlet as this could damage the rubber seal. Do not use propane tank with a damaged rubber seal. A damaged rubber seal can cause a gas leak, possibly resulting in explosion, fire, severe bodily harm, or death. Inspect rubber seal for cracks, wear or deterioration prior to use.
- Always keep cylinder (tank) in upright position during use, transit or storage.

LP GAS CYLINDER (TANK) SPECIFICATIONS:

LP gas cylinder (not supplied with this grill)

The LP (Liquid Propane) gas cylinder specifically designed to be used with this grill must be 30.5 cm/12 in diameter x 45.72 cm/18 in tall and have a 9.1 kg/20 lbs capacity incorporating a Type 1 cylinder valve and an over-filling protection device (OPD).

This grill is designed to fit any 9.1 kg/20 lb cylinder available on the market. The pull out tray is adjustable for smaller bottom ring cylinders.

The installation of this appliance must be in accordance with:

All applicable local codes, or in the absence of local codes, either:

- National Fuel Gas Code ANSI Z223.1 NFPA 54
- National Gas and Propane Installation Code: CAN/CGA B149.1
- National Gas Installation Code: CAN/CGA B149.1 (Canada)
- Propane Installation Code: CAN/CGA B149.2 (Canada)

To check your local codes, see your local LP gas dealer or natural gas company.

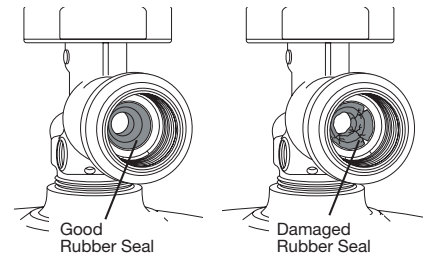
When purchasing or exchanging a cylinder for your gas grill, it must be constructed and marked in accordance with the specifications for LP gas cylinders of the U.S. Department of Transportation (DOT) or the National Standard of Canada, CAN/CSA-B339 Cylinders, Spheres and Tubes for Transportation of Dangerous Goods; and Commission, as applicable; and provided with a listed over-filling prevention device (OPD), and provided with a cylinder connection device compatible with the connection for outdoor cooking appliances.

The cylinder must also be equipped with:

- A shut-off valve terminating in a Type 1 gas cylinder valve outlet.
- A Type 1 valve that prevents gas flow until a positive seal is obtained.
- An arrangement for vapor withdrawal.

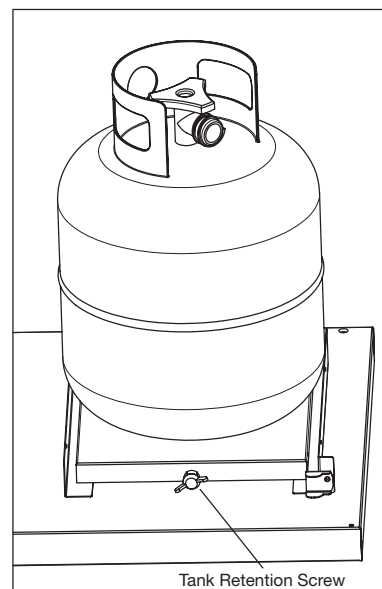
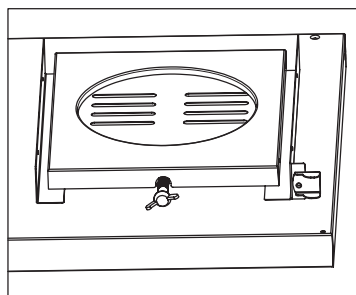
LP GAS CYLINDER (TANK) RUBBER SEAL INSPECTION:

- Inspect the propane tank valve rubber seal for cracks, wear or deterioration prior to use. A damaged rubber seal can cause a gas leak, possibly resulting in an explosion, fire or severe bodily harm.
- Inspection should be done each time the propane tank is connected to the grill, has been refilled, exchanged or has not been used for more than 60 days.
- Do not use a propane tank with a damaged rubber seal. Exchange the tank or have the rubber seal replaced at a qualified propane filling station.



INSTALLING THE LP GAS CYLINDER (TANK) ONTO THE GRILL:

1. Check that the cylinder valve is closed by turning the knob clockwise. Inspect cylinder valve rubber seal for cracks or deterioration. Do not use propane tank with damaged seal as a gas leak may occur.
2. Place the cylinder into the tank holder in the bottom of cabinet.
3. Orient the cylinder such that the valve opening faces the right side of the grill, and the hose is not kinked or damaged.
4. Fully tighten the tank retention screw on the back side of grill to secure tank.



HOSE & REGULATOR SPECIFICATIONS AND INSTALLATION:

WARNING

- For dual fuel grills that can be converted to natural gas, a Signateur conversion kit SCKDF-10 (sold separately) must be purchased and installed for use with natural gas.
- DO NOT use any other pressure regulator/hose assembly other than the one supplied with your grill. Replacement pressure regulator/hose assembly must be part No. 1500111-0003, which can be obtained by contacting Customer Service Call: (800) 961-6196 (English only) Mon-Fri 6AM to 2PM PST or send us email at support@signateur.com
- DO NOT attempt to adjust or repair a regulator. The regulator is designed to operate at a maximum output pressure of 27.94 cm/11 in of water column (2.74 kPa)
- The pressure regulator and hose assembly supplied with the outdoor cooking gas appliance must be used. Replacement pressure regulators and hose assemblies must be those specified by the outdoor cooking gas appliance manufacture.
- Ensure the tank valve is CLOSED prior to connecting the LP gas cylinder to your grill. Turn the valve knob clockwise to properly close the valve. Read and follow all instructions and warnings on the supply hose safety tags. Read and follow all

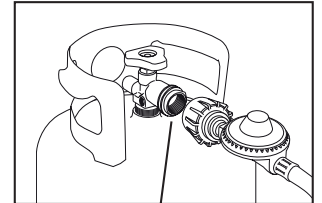
HOSE AND REGULATOR:

Your grill is equipped with a Type 1 connection device with the following features:

1. The system will not allow gas flow from the cylinder until a positive connection to the valve has been made.
NOTE: The cylinder valve and all grill burner knobs must be turned OFF before any connection is made or removed.
2. A regulator flow limiting device, when activated, restricts the flow of gas to 0.28 cubic meter/10 cubic feet per hour.
If the flow limiting device is activated, perform Regulator Resetting Procedure.
NOTE: If your grill will not get hot enough to cook, the flow limiting device may have been activated.

CONNECTING HOSE AND REGULATOR:

1. Inspect the propane tank valve rubber seal for cracks, wear or deterioration prior to use.
A damaged rubber seal can cause a gas leak, possibly resulting in an explosion, fire or severe bodily harm. Do not use a propane tank with a damaged rubber seal.
2. Attach or detach regulator to the LP gas cylinder only when cylinder is at rest in tank holder.
3. Check that the cylinder valve is closed by turning the knob clockwise.
4. Check that the grill's burner control knobs are in the "OFF" positions.
5. Visually inspect the hose assembly prior to each use for evidence of damage, excess wear, or deterioration. If found, replace the assembly before using your grill. Only the manufacturer's supplied replacement should be used.
6. Remove the protective plastic cap from the cylinder valve.
7. Check that the hose does not contain kinks, does not contact sharp edges, and does not contact surfaces that may become hot during use.
8. Hold regulator and insert the brass nipple into the LP cylinder valve outlet. Ensure that the device is centered properly.
9. Turn the large coupling nut clockwise by hand and tighten to a full stop. Take care not to cross thread the coupling nut onto the cylinder valve. Do not use tools to tighten connection.
Note: If you are unable to make the connection, repeat Steps 7 and 8.
10. Leak check all fittings before lighting your grill. See section on "Leak Testing" in this manual.
Note: To remove regulator from propane tank, turn off the tank valve and rotate the large coupling nut counter-clockwise and remove.



Inspect Rubber Seal

REGULATOR RESETTING PROCEDURE:

If your grill will not get hot enough to cook, the flow limiting device may have been activated.

Mini Reset:

Turn ALL burner control knobs to "OFF", turn off the cylinder valve. Wait ten minutes. Slowly turn cylinder valve ON and relight grill. If burner flame is higher and grill heats up properly - proceed with cooking.

Full Reset:

Turn ALL burner control knobs to "OFF", turn off the cylinder valve. Disconnect hose and regulator from cylinder. Wait two minutes, reattach hose and regulator and perform leak test.

LEAK TESTING:

⚠ WARNING

- Never use your grill without leak testing all gas connections, hoses and propane tank. Follow the section on "Leak Testing" in this manual for proper procedures.

⚠ DANGER

To prevent fire or explosion hazard:

- DO NOT smoke or permit ignition sources in the area while conducting a leak test.
- Perform test OUTDOORS in a well ventilated area that is protected from the wind.
- Never perform a leak test with a match or open flame.
- Never perform a leak test while the grill is in use or while grill is still hot.

WHEN TO PERFORM A LEAK TEST:

- After assembling your grill and before lighting for the first time, even if purchased fully assembled.
- Every time the LP gas cylinder is refilled, exchanged or if any of the gas components are disconnected or replaced.
- Any time your grill has been moved.
- At least once per year or if your grill has not been used for more than 60 days.

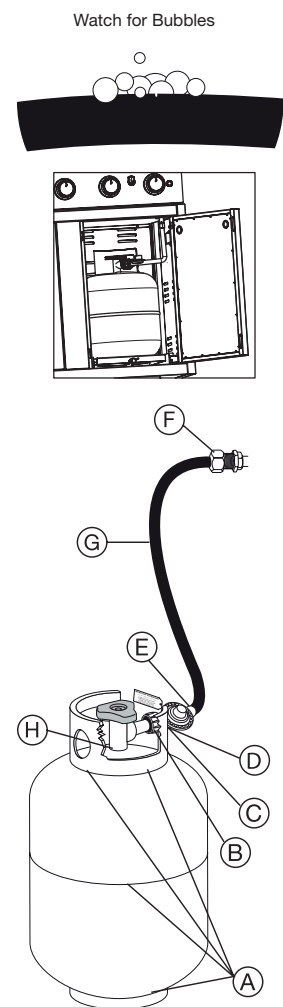
CHECKING FOR LEAKS:

▲ CAUTION: Strong odors, colds, sinus congestion, etc. may prevent the detection of propane by smell. Use caution and common sense when testing for leaks.

Note: The leak test must be performed in an area that has adequate lighting in order to see if bubbles are developing and not in a windy or noisy area so larger leaks can be detected by smell or sound.

1. Create a mixture of 50% water and 50% liquid dishwashing soap.
2. Open the lid.
3. Ensure all control knobs are set to the "OFF" position.
4. Turn on the gas at the cylinder valve. Turn the cylinder valve knob counter-clockwise to full open. If you hear a rushing sound or smell gas, turn the gas off. Tighten any leaking connections. If leak is detected at connected nut and tightening does not stop leak, reinspect propane tank rubber seal.
5. Apply the soapy water mixture to the following:
 - (A) Supply tank (cylinder) weld.
 - (B) Connection nut to tank valve.
 - (C) Back side of connection nut to brass nipple.
 - (D) Brass nipple connection into regulator.
 - (E) Regulator connections to gas supply hoses.
 - (F) Hose connection to gas manifold.
 - (G) The full length of gas supply hose.
 - (H) Tank valve of cylinder.
6. Check each place listed (A-H) for growing bubbles, which indicates a leak. Large leaks may not be detected by bubbles but should produce a rushing sound or gas smell.
7. Turn off gas supply at cylinder valve.
8. Turn on control knobs to release gas pressure in hose.
9. Turn control knobs to "OFF" position.
10. Tighten any leaking connections. If leak is detected at connection nut and tightening does not stop leak, reinspect propane tank rubber seal. (see page 6).
11. Repeat soapy water test until no leaks are detected.
12. Turn off gas supply at cylinder valve until you are ready to use your grill.
13. Wash off soapy residue with cold water and towel dry.
14. Wait 5 minutes to allow all gas to evacuate the area before lighting grill.

▲ WARNING: DO NOT use the grill if leaks cannot be stopped. Contact a qualified gas appliance repair service.



PRE-START CHECK LIST:

⚠ DANGER

Property damage, bodily harm, severe burns, and death could result from failure to follow these safety steps. These steps should be performed after the grill has been assembled and prior to each use. **DO NOT** operate this grill until you have read and understand **ALL** of the warnings and instructions in this manual.

- Ensure that the grill is properly assembled.
- Inspect the gas supply hose for burns, chaffing, kinks, and proper routing before each use. If it is evident there is excessive abrasion or wear, or the hose is cut, it must be replaced prior to the grill being used. Replace with hose and regulator Model No. 1500111-0003, which can be obtained by contacting Customer Service Call: (800) 961-6196 (English only) Mon-Fri 6AM to 2PM PST or send us email at support@signateur.com
- Properly place the empty grease cup under the grease drain hole in the bottom of the grill to catch grease during use.
- **DO NOT** block ventilation areas in sides, back or cart compartment of grill.

GAS LIGHTING INSTRUCTIONS:

⚠ WARNING

Read, understand and follow all warnings and instructions contained in this manual. **DO NOT** skip any of the warnings and instructions contained in the preceding sections of this manual.

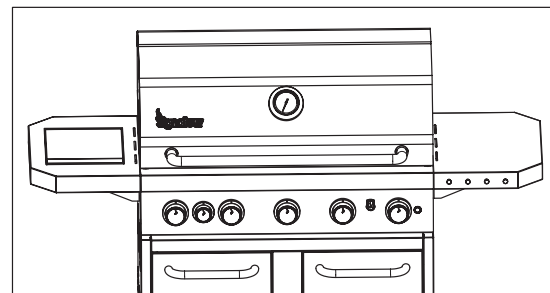
Follow the instructions exactly.

1. **OPEN THE GRILL LID** before attempting to light a burner so that fumes do not accumulate inside the grill. An explosion could occur if grill lid is down.
2. Check that all burner control knobs and the cylinder valve are turned to the "OFF" position.
3. Turn on the fuel supply by slowly rotating the cylinder valve knob counter-clockwise to full open.
4. **DO NOT** stand with head, body, or arms over the grill when lighting.

LIGHTING THE MAIN BURNERS:

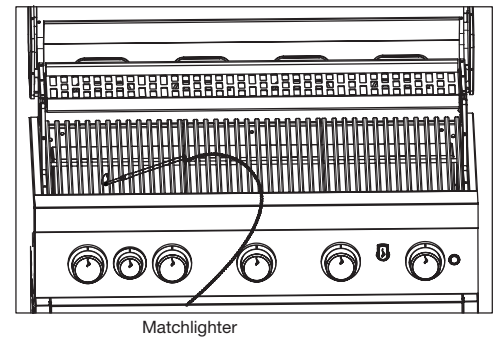
1. Open lid before lighting burner.
2. Make sure all control knobs are in the "OFF" position.
3. Select the far left burner 1st to be lit. Push and turn the control knob of that burner to the High position.
4. Press the electronic igniter and hold for 3-5 seconds to light burner.
5. If ignition does **NOT** occur in 5 seconds, turn control knob to "OFF", wait 5 minutes to allow gas to dissipate and repeat lighting procedure.
6. Repeat steps 3-5 for lighting each burner. Always use electronic igniter for lighting each burner. If burner does not ignite using the push-button igniter, see Match Lighting the Main Burners section.
7. To turn off, turn each control knob clockwise until it locks in the OFF position. This does not turn off the gas flow from the cylinder.

Note: If burner does not light or flame is too low, See "Trouble Shooting" section of the owners manual.



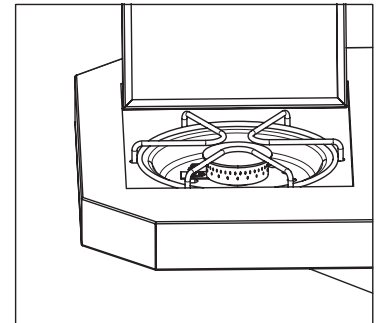
MATCH LIGHTING THE MAIN BURNER:

1. Open lid before lighting burner.
2. Make sure all control knobs are in the "OFF" position.
3. Place a paper match in the end of the matchlighter. Strike the match and place through the cooking grate approximately 1.57 cm/1/2 in from the burner to be lit.
4. Turn the burner control knob to the "HIGH" position. The burner should light within 5 seconds.
5. If the burner does not light, turn the control knob to "OFF" and wait 5 minutes for gas to dissipate and repeat lighting procedure.
6. Once lit, light adjacent burners by following steps 3-6.
7. If the burner does not light within the first few attempts of match lighting, there is a problem with the gas supply. Turn off the gas at the burner and cylinder. **DO NOT** attempt to operate the grill until the problem is found and corrected.
Note: If burner does not light or flame is too low, See "Trouble Shooting" section of the owners manual.



LIGHTING THE SIDE BURNER:

1. Open lid before lighting side burner.
2. Make sure all control knobs are in the "OFF" position.
3. Push and turn side burner control knob to the "HIGH" position.
4. Press the electronic igniter on the main control panel and hold for 3-5 seconds to light burner.
5. If ignition does NOT occur in 5 seconds, turn control knob to "OFF", wait 5 minutes to allow gas to dissipate and repeat lighting procedure.
Note: If burner does not light or flame is too low, See "Trouble Shooting" section of the owners manual.



MATCH LIGHTING THE SIDE BURNER:

1. Open the lid to the side burner before lighting.
2. Turn the burner control knob to "OFF".
3. Place a paper match in the end of the matchlighter.
4. Strike the match and hold it approximately 1.57 cm/0.61 in from the burner.
5. Turn the side burner control knob to the "HIGH" position. The burner should light within 5 seconds.
6. If the burner does not light, turn the control knob to "OFF" and wait 5 minutes for gas to dissipate and repeat lighting procedure.
7. If the burner does not light within the first few attempts of match lighting, there is a problem with the gas supply. Turn off the gas at the burner and cylinder. **DO NOT** attempt to operate the grill until the problem is found and corrected.
Note: If burner does not light or flame is too low, See "Trouble Shooting" section of the owners manual.
Note: Observe flame height when lit: Flame should be a Blue/Yellow color between 2.54 cm - 5.08 cm/1 in - 2 in when burner is on "HIGH".



OPERATING THE GRILL:

WARNING

- Read and follow all warnings and instructions obtained in the preceding sections of this manual.
- Flavoring chips must be contained in a metal smoking box to contain ash and prevent fires.
- DO NOT cover cooking grates or other components with aluminum foil, as this blocks ventilation and damage to grill or personal injury may occur.
- DO NOT leave your grill unattended while "ON" or in use.
- DO NOT move grill when in use.
- DO NOT use water on a grease fire. Closing the lid to extinguish a grease fire is not possible. Use type BC dry chemical fire extinguisher or smother with dirt, sand or baking soda.
- Never cook on the grill without the grease cup/tray in place.

BREAKING IN YOUR GRILL:

- In manufacturing and preserving the components of your grill, oil residue may be present on the burners and cooking surfaces of your grill.
- Before cooking on your grill for the first time you should preheat it for 15 minutes on "HIGH" to burn off these residual oils.

PREHEATING THE GRILL:

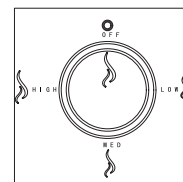
- Prior to each use, it is recommended that you preheat your grill. This ensures that the grilling surfaces are at the desired temperatures to sear the food sugars when cooking. After lighting your grill, set the main burner control knobs to the "HIGH" position for 5 to 10 minutes. Close the lid during the preheat period.

CONTROLLING FLARE-UPS/GREASE FIRES:

- Flare-ups are a part of cooking meats on a gas grill. This adds to the unique flavor of cooking on a gas grill. Use caution when opening the lid as sudden flare-ups may occur. Excessive flare-ups can over-cook your food and cause a dangerous situation for you and your grill. Excessive flare-ups result from the build-up of grease in your grill. If this should occur, DO NOT pour water onto the flames. This can cause the grease to splatter and could result in serious burns or bodily harm.
- If grease fire occurs while lid is open, leave lid open, turn burner knobs to "OFF", turn off LP cylinder valve. If possible, relocate food to a different section of cooking grate and allow grease to burn out or smother the flames with baking soda.
- If grease fire occurs while lid is closed, leave lid closed, as a sudden burst of air may increase flames. Turn burner knobs to "OFF", turn off LP cylinder valve. Allow grease to burn out.
- Never pour water on a grease fire as grease may splatter/spread and could result in bodily injury or property damage.
- If grease fire does not quickly burn out or the fire is growing/spreading, use type BC dry chemical fire extinguisher or smother with dirt, sand or baking soda. Closing the lid to extinguish a grease fire is not possible.

TO MINIMIZE FLARE-UPS:

- Trim excess fat from meats prior to cooking.
- Cook meats with high fat contents (chicken or pork) on Low settings or indirectly.
- Ensure that your grill is on level ground and the grease is allowed to evacuate the grill through the drain hole in the bottom and into grease cup/tray.
- Clean grill frequently to minimize grease build up.



TURNING OFF GRILL:

1. Turn off the cylinder valve.
2. Turn all burner control knobs to the "OFF" position.

Note: Turn off LP cylinder first to prevent gas from being left in the system under pressure.

CAUTION:

- The cylinder valve should always be in the off, or closed, position when the grill is not in use.



USING OTHER FEATURES OF THE GRILL:

WARNING

- Read instructions on lighting your grill to light the side burner.
- Never close the side burner cover when the burner is lit.
- Use a 25.4 cm/10 in diameter pot or smaller that does NOT have an extended handle when cooking on the side burner. Center pot over burner.
- Never place more than 6.8 kg/15 lbs on the side burner. The side burner is not constructed to hold weight exceeding 6.8 kg/15 lbs.
- Use caution to avoid bumping grill, side burner or pot to prevent pot from spilling contents possibly leading to severe burns.
- DO NOT use side burner to deep fry food in oil to avoid dangers associated with oil igniting creating a very dangerous situation.

THE SIDE BURNER:

- The side burner can be used to prepare side dishes such as beans, potatoes, corn, or to warm sauces.
- The burner valve can be adjusted from high to low depending upon your cooking demands.

PROPER CARE & MAINTENANCE:

⚠ WARNING: If a bristle brush is used to clean any of the cooking surfaces, ensure no loose bristles remain on the cooking surfaces prior to grilling as loose bristles may attach to food.

CLEANING INTERIOR OF GRILL:

- We recommend cleaning off food residue immediately after cooking by gently scrubbing grates with brush and then turning burners to HIGH for approximately 5 minutes.
- Clean up of the grill after each use is required.

⚠ WARNING: DO NOT leave grill unattended when the grill is on. Wear oven mitts to protect from burns.

- The heats from burners will burn off most food/grease residue from grates & heat tents and turn it to an ash like substance which will fall to the bottom of the firebox or grease tray. After the grill cools (approximately 30 minutes) remove grates and flame tamer and brush the ash and any grease out of the firebox. Clean and replace grease cup. Inspect the flame tamer for damage or deterioration before reinstalling in the grill. (Replacements can be ordered by contacting Customer Service Call: (800) 961-6196 (English only) Mon-Fri 6AM to 2PM PST or send us email at support@signateur.com

⚠ CAUTION: DO NOT leave ash residue to remain on the grease tray or firebox as it could block proper grease drainage of the grill.

INTERIOR OF GRILL LID:

- Smoke will accumulate inside grill lid and may flake onto your food. Clean the inside of the grill lid with scrub brush and baking soda/water solution. Dry thoroughly. Do not mistake this for paint. The interior of gas grill lids are not painted.

MAINTAINING EXTERIOR OF GRILL:

- To protect your grill from excessive rust, the unit must be kept clean and covered at all times when not in use.
- Painted surfaces. Wash with mild detergent or non-abrasive cleaner and warm soapy water.
- Stainless steel surfaces. To maintain your grill's appearance, wash with mild detergent and warm soapy water then wipe dry with a soft cloth after each use. Polish with stainless steel cleaner in the direction of the grain until it shines. Baked-on grease deposits may require the use of an abrasive plastic cleaning pad. Use only in direction of brushed finish to avoid damage. Do not use abrasive pad on areas with graphics. Car wax may help protect the exterior finish of your grill.
- Plastic and rubber parts. Wash with warm soapy water and wipe dry. Do not use citrisol, abrasive cleaners, degreasers or a concentrated grill cleaner on plastic parts. Damage to and failure of parts can result.

RUST:

- Discoloration, rust and rust pits can occur as a result of high cooking temperatures, acidic marinades, grease fires and exposure to coastal climates or other natural elements.
- Rust spots on the interior surface can be buffed, cleaned, then lightly coated with vegetable oil or vegetable oil spray to minimize rusting.
- Never use cleaners containing chlorine or store swimming pool supplies or chemicals in cart compartment as chlorine promotes rust.

BURNER CLEANING AND MAINTENANCE:

- Keep the appliance free and clear of combustible materials, gasoline and other flammable vapors and liquids.
- Keep the ventilation openings of the cylinder enclosure free and clear of debris.
- Visually check burner flames for proper operation (see pictorial in "Burner Assembly/Maintenance" under Proper Care and Maintenance). Spiders or other insects can nest in burner causing gas blockage.
- For safe grilling and peak performance of your grill, perform these checks at least twice per year or after extended periods of storage.
- Be sure to tighten up all hardware (nuts, bolts, screws, etc) at least twice per year.
- Remove the cooking grills, heat distribution plate, and burners from inside your grill. Use a brush with hot water and detergent to remove excess residue. NEVER use a commercial oven cleaner. Rinse completely with water. Towel dry and replace all components as described in the assembly instructions.

BURNER ASSEMBLY/MAINTENANCE:

- Although your burners are constructed of stainless steel, they may corrode as a result of the extreme heat and acids from cooking foods. Regularly inspect the burners for cracks, abnormal holes, and other signs of corrosion damage. If found, replace the burner.
- DO NOT block ventilation areas in sides, back or cart compartment of grill. Burner tubes can become blocked by spiders and other insects building their nests. Blocked burner tubes can prevent gas flow to the burners and could result in a burner tube fire or fire beneath the grill. To clean the Burner Assembly follow these instructions to clean and/or replace parts of burner assembly or if you have trouble igniting the grill.

1. Turn gas off at control knobs and LP cylinder tank valve.
2. Remove cooking grills and flame tamer.
3. Remove hitch pin from each burner.
4. Carefully lift each burner up and away from valve openings.
5. Use a narrow bottle brush or a stiff wire bent into a small hook to run through each burner tube or use compressed air to blow into burner tube and out the flame ports. Check each port to make sure air comes out each hole.

⚠ CAUTION: Wear eye protection when using compressed air.

6. Use a wire brush to clean the entire outer surface of burner to remove food residue and dirt.
7. Check burner for damage, if any cracks or holes are found replace burner.
8. Install burner in grill, orient burners CORRECTLY.

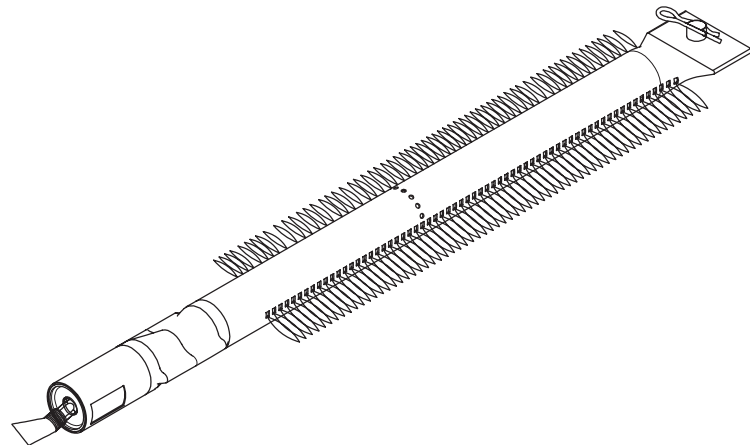
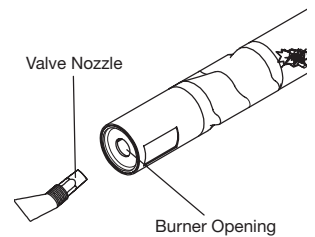
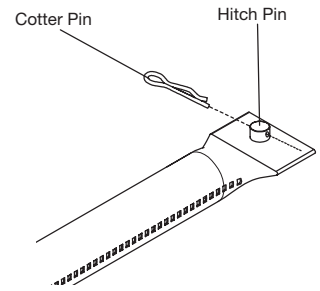
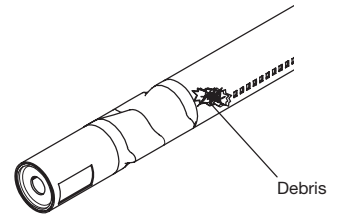
IMPORTANT: Burner opening must slide over valve nozzle.

9. Replace hitch pins on each burner.

Note: Follow the "Gas Leak testing" section of this manual.

Relight burners to verify proper operation.

10. Replace flame tamer and cooking grids.




PROPER VALVE TO BURNER ALIGNMENT

Note: Normal flame height is 2.54 cm - 5.08 cm/1 in - 2 in

TRANSPORTING AND STORAGE:

WARNING

- Never move a grill when hot or in use.
- Make sure that cylinder valve is closed and burner knobs are in the off position.
- DO NOT store a spare LP gas cylinder (filled or empty) under or near the grill.
- Never store flammable liquids or spray canisters under or near the grill.
- If the outdoor cooking gas appliance is not in use, the gas must be turned off at the LP gas supply cylinder.
- Storage of an outdoor cooking gas appliance indoors is permissible only if the cylinder is disconnected and removed from the outdoor cooking gas appliance.
- Cylinders must not be stored in a building or enclosure, including garages and sheds.
- Cylinders must be kept out of reach of children.

 **WARNING:** If the information in "TRANSPORTING AND STORAGE" is not followed exactly, a fire causing death or serious injury may occur.

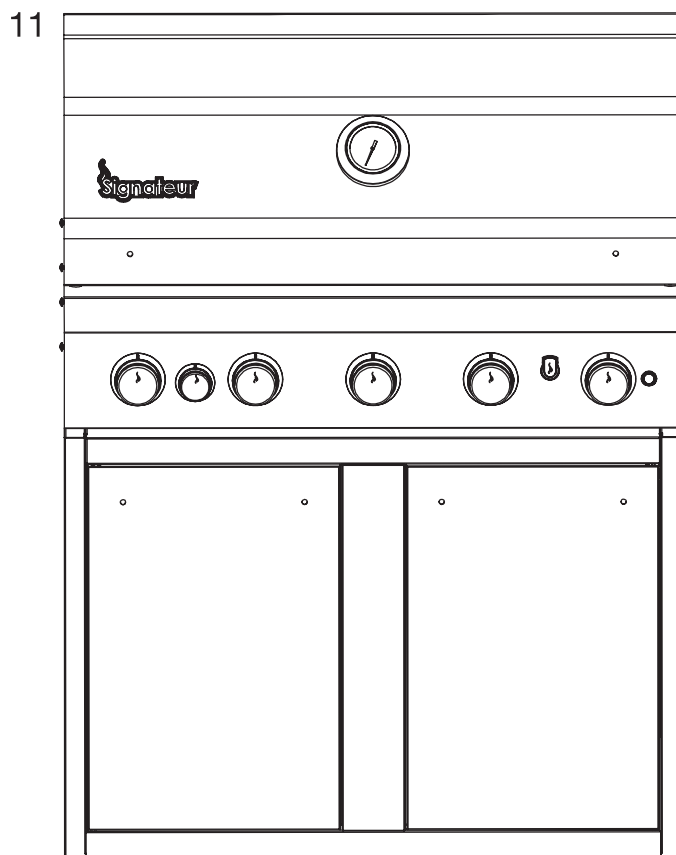
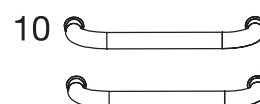
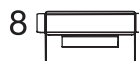
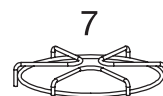
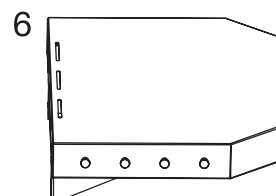
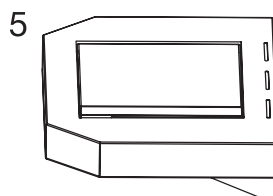
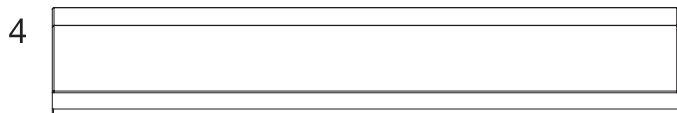
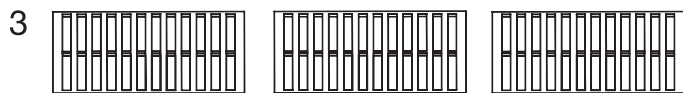
BEFORE STORING YOUR GRILL:

- Ensure that the cylinder valve is fully closed.
- Clean all surfaces. Lightly coat the burners with cooking oil to prevent excess rusting.
- If storing the grill indoors, disconnect the LP tank and leave the LP tank OUTDOORS.
- Place dust cap on cylinder valve outlet whenever the cylinder is not in use. Only install the type of dust cap on the cylinder valve outlet that is provided with the cylinder valve. Other types of caps or plugs may result in leakage of propane.
- Check and clean burner prior to use after storing, at the beginning of grilling season or after a period of not being used. Spiders and insects like to build nests in burner tubes (especially during colder months). Blocked burner tubes can prevent gas flow to the burners and could result in a burner tube fire or fire beneath the grill. See "Burner Assembly/Maintenance" under Proper Care and Maintenance.
- If storing the grill outdoors, cover the grill with a grill cover for protection from the weather.

TROUBLESHOOTING:

Problem	Possible Cause	Prevention/Cure
Burner will not light	LP gas tank valve is closed	Make sure regulator is securely attached to the LP gas tank, turn LP gas tank valve to "OPEN"
	LP gas tank is low or empty	Check if LP gas tank is empty. If empty, replace or refill.
	LP gas leak	1. Turn LP gas tank valve to "CLOSED" 2. Wait 5 minutes for gas to clear 3. Follow "Leak Testing" in the owner's manual
	Coupling nut and regulator not fully connected	See section on "Connecting Hose and Regulator"
	Obstruction of gas flow	1. Clean burner assembly 2. Check for bent or kinked hose
	Burner may not be properly seated	Reseat burner and valve. Refer to "Burner Assembly/Maintenance Instructions"
	Spider webs or insect nest in venturi	Clean venturi and burner assembly
	Burner ports clogged or blocked	Clean burner ports
	Battery needs to be changed	Replace the battery (follow assembly step for inserting battery)
	Wires or electrode covered with cooking residue	Clean wire and/or electrode with rubbing alcohol
	Electrode and burners are wet	Wipe dry with cloth
	Electrode cracked or broken - sparks at crack	Replace electrode
	Wire loose or disconnected	Reconnect wire or replace electrode/wire assembly
	Wire is shorting (sparking) between ignitor and electrode	Replace ignitor wire/electrode assembly
Bad ignitor	Replace ignitor	
Grill does not get hot enough	Out of gas	Replace or refill LP gas tank
	Flow limiting device may have been activated	1. Mini Reset: a. Turn control knobs and LP gas tank valve to "OFF" b. Wait one minute and relight grill per "Lighting Instructions" 2. If flames are still too low, perform a Full Reset Full Reset: a. Turn control knobs and LP gas tank valve to "OFF" b. Disconnect regulator from propane tank c. Inspect LP cylinder rubber seal d. Wait 1 minute e. Reconnect regulator and perform "Leak Testing" on all connections. f. Light grill per "Lighting Instructions"
Irregular flame pattern. Flame does not run full length of burner	Burner ports are clogged or blocked	Clean burner ports
Flame is yellow or orange	New burner may have residual manufacturing oils	Burn grill for 15 minutes on "HIGH" with the lid closed
	Spider webs or insect nest in venturi	Clean venturi and burner assembly
	Food residue, grease, etc.	Clean burner assembly
	Poor alignment of valve to burner venturi	Make sure burner venturi is properly engaged with valve
Flame blows out	High or gusting winds	Do not use grill in high winds
	Low on LP gas	Replace or refill LP gas tank
	Burner holes may be obstructed	Refer to "Burner Assembly/Maintenance" Instructions
	Flow limiting device tripped	Refer to "Regulator Resetting Procedure"
Flare-up	Grease buildup	Clean all grill parts per "Proper Care and Maintenance" instructions
	Excess fat in meat	Trim fat from meat before grilling
	Excessive cooking temperature	Adjust (lower) cooking temperature
Grease fire	Grease trapped by food buildup around burner system	1. Turn control knobs and LP gas tank valve to "OFF" 2. Leave lid in open or closed position and let fire burn out. Use a B.C. type fire extinguisher or baking soda, sand or dirt to

PART LIST



No	Description	Quantity
1	Lid handle	1
2	Warming rack	1
3	Cooking grates	3
4	Flame tamer	1
5	Left side burner assembly	1
6	Right side table	1
7	Side burner grate	1
8	Grease cup	1
9	AA Batteries	3
10	Door handle with door spacers	2
11	Grill body	1

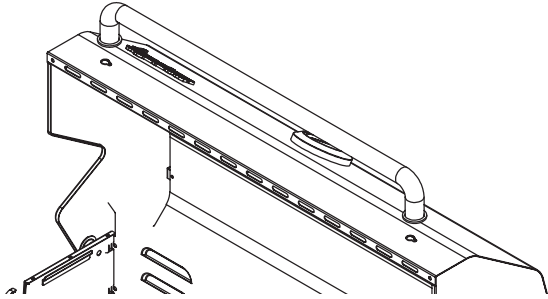
ASSEMBLY INSTRUCTION

⚠ WARNING

SOME PARTS MAY CONTAIN ROUGH EDGES. WEAR PROTECTIVE GLOVES IF NECESSARY DURING ASSEMBLY.

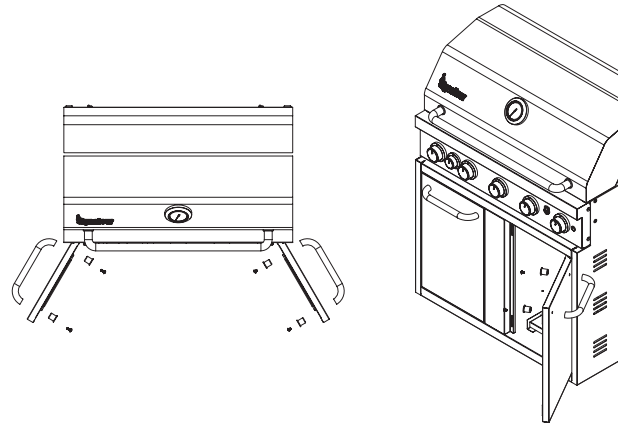
* PHILLIPS SCREWDRIVER NEEDED FOR THE ASSEMBLY (NOT INCLUDED).

1



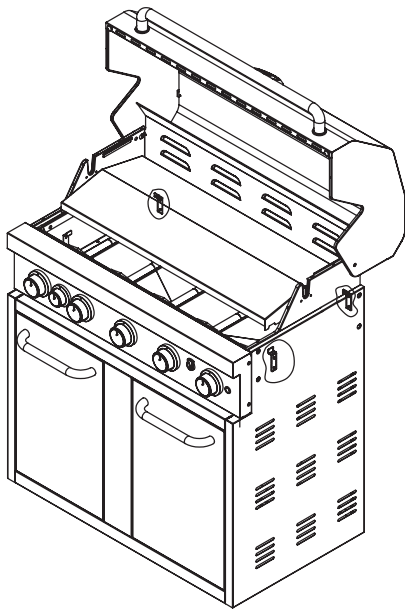
Attach lid handle by sliding toward right of grill completely and tighten the bolts securely.

2



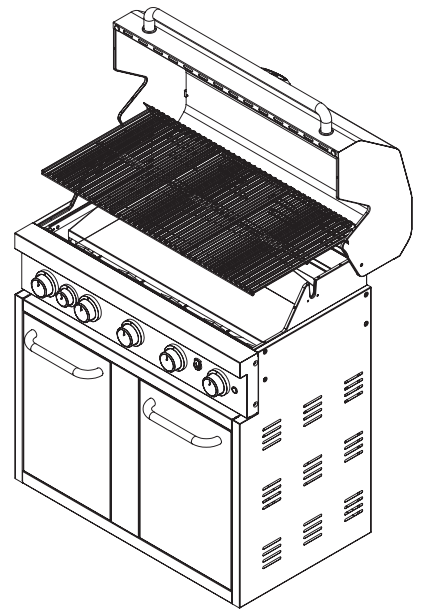
Attach left door handle to left door by two pre-attached door spacers and two pre-attached bolts from the door handle. Repeat for the other one.

3



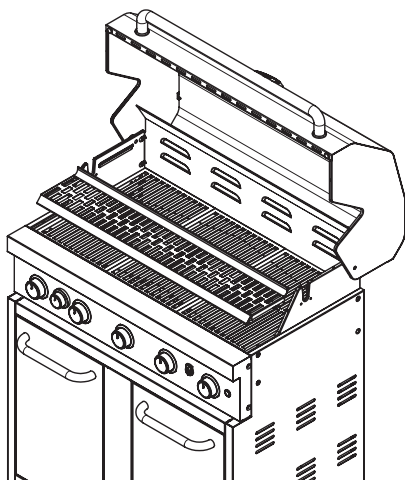
Place flame tamer.

4

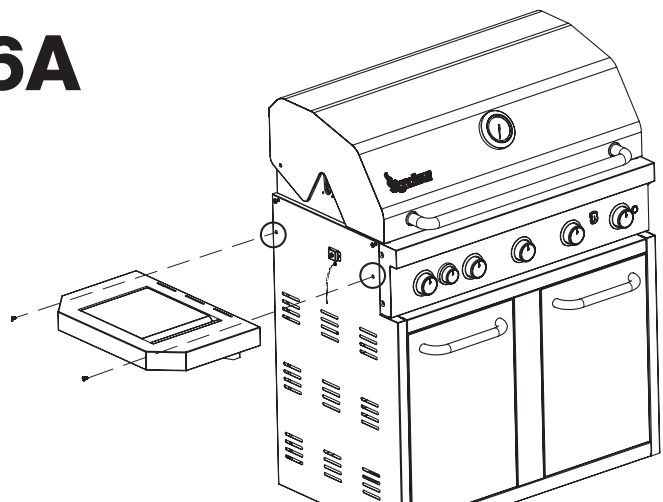


Place cooking grates.

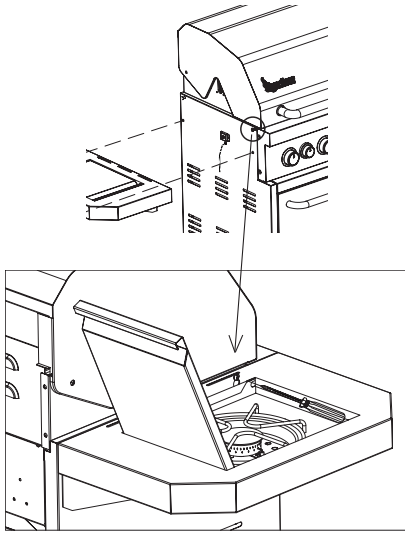
5



6A

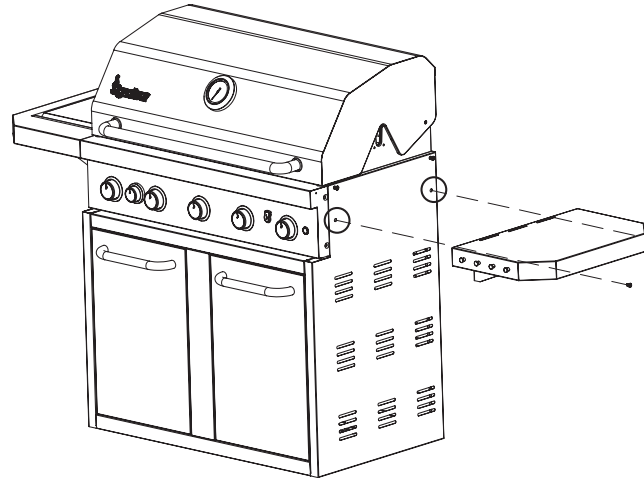


6B



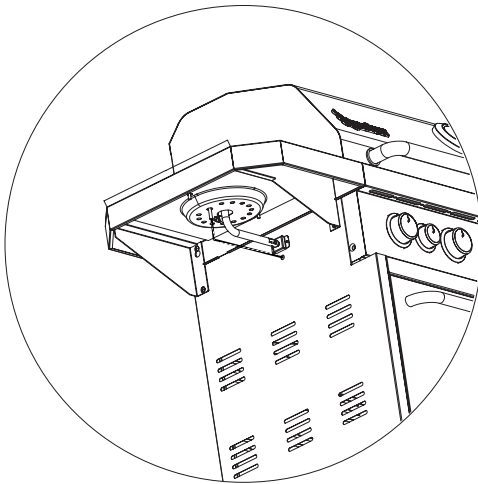
Open the side burner lid to tight the bolt through the hole according to the drawing.

7



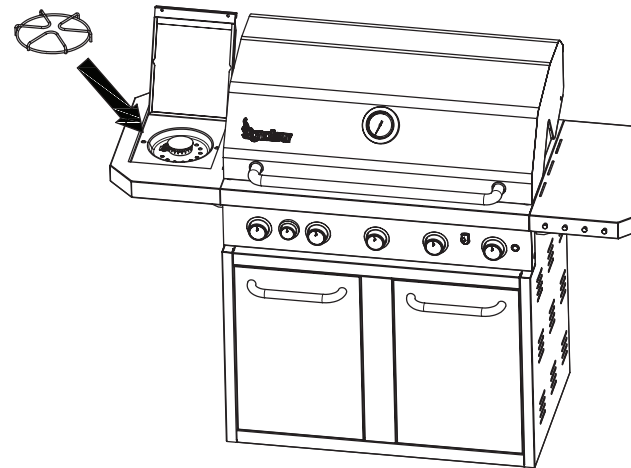
Remove two pre-attached bolts from the right side of grill body that marked with circle. Attach right side table to the right side of grill body. Place table over bolts and slide toward down of grill and attach side table by using two bolts that was just removed. Tighten all four bolts securely.

8



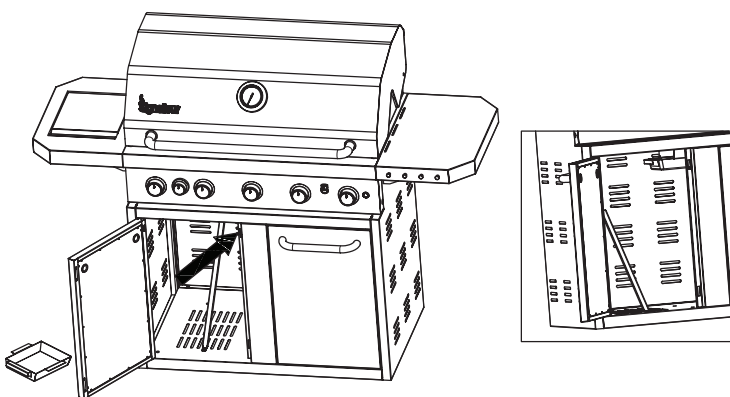
Loosen the pre-attached wing nut on the burner assembly before performing. Insert the side valve assembly from the side cart through the side burner venturi, then firmly seat the valve nozzle into the burner venturi and tighten the wing nut. Attach side burner igniter lead wire to the electrode.

9

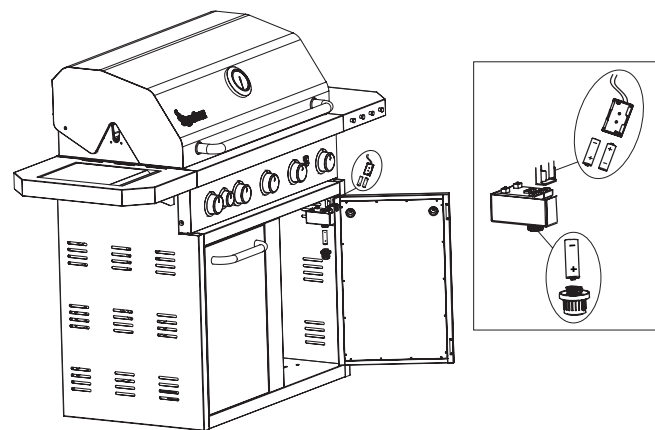


Place the side burner grate.

10



11



WARRANTY

LIMITED FIVE-YEAR WARRANTY

- Firebox
- Lid assembly
- Stainless steel burner tubes
- Stainless steel cooking grates
- Warming rack

The firebox, lid assembly, stainless steel, burner tubes, stainless steel cooking grates, & warming rack is warrantied to be free from defects in material and workmanship for a period of (5) five years including no rust through and/or burn through. This warranty excludes surface corrosion, scratches, fading, and discoloration which may occur during regular use.

LIMITED TWO-YEAR WARRANTY

All remaining grill components including but not limited to:

- Flame tamer
- Drawer slides
- Temperature gauge
- Gas valve
- Cover
- Ignitor
- Drip tray
- Etc.

All remaining grill components including but not limited to the flame tamer, drawer slides, temperature gauge, gas valve, cover, ignitor, drip tray, etc. listed above are warrantied to be free from defects in material and workmanship for a period of (2) two year from the original date of purchase. This warranty excludes surface corrosion, scratches, fading, and discoloration which may occur during regular use.

LIMITATIONS & EXCLUSIONS

- Warranty applies to the original purchaser only and may not be transferred.
- Warranty will not apply and Signateur is not responsible for damage resulting from misuse, abuse, alteration or modification, accidents, flare-up fires, improper installation or installation not in accordance with the instructions contained in this manual.
- This warranty is limited to the replacement of defective parts with the owner paying all other costs including labor.

Our Customer Service Department is available Mon-Friday 6AM to 2PM PST at (800) 961-6196 (English only) or send us email support@signateur.com.

For parts and service, please provide the following information:

- Name
- Shipping address
- Phone number
- Pictures of the overall product
- Pictures of the part or issue
- Date of purchase and/or picture of receipt

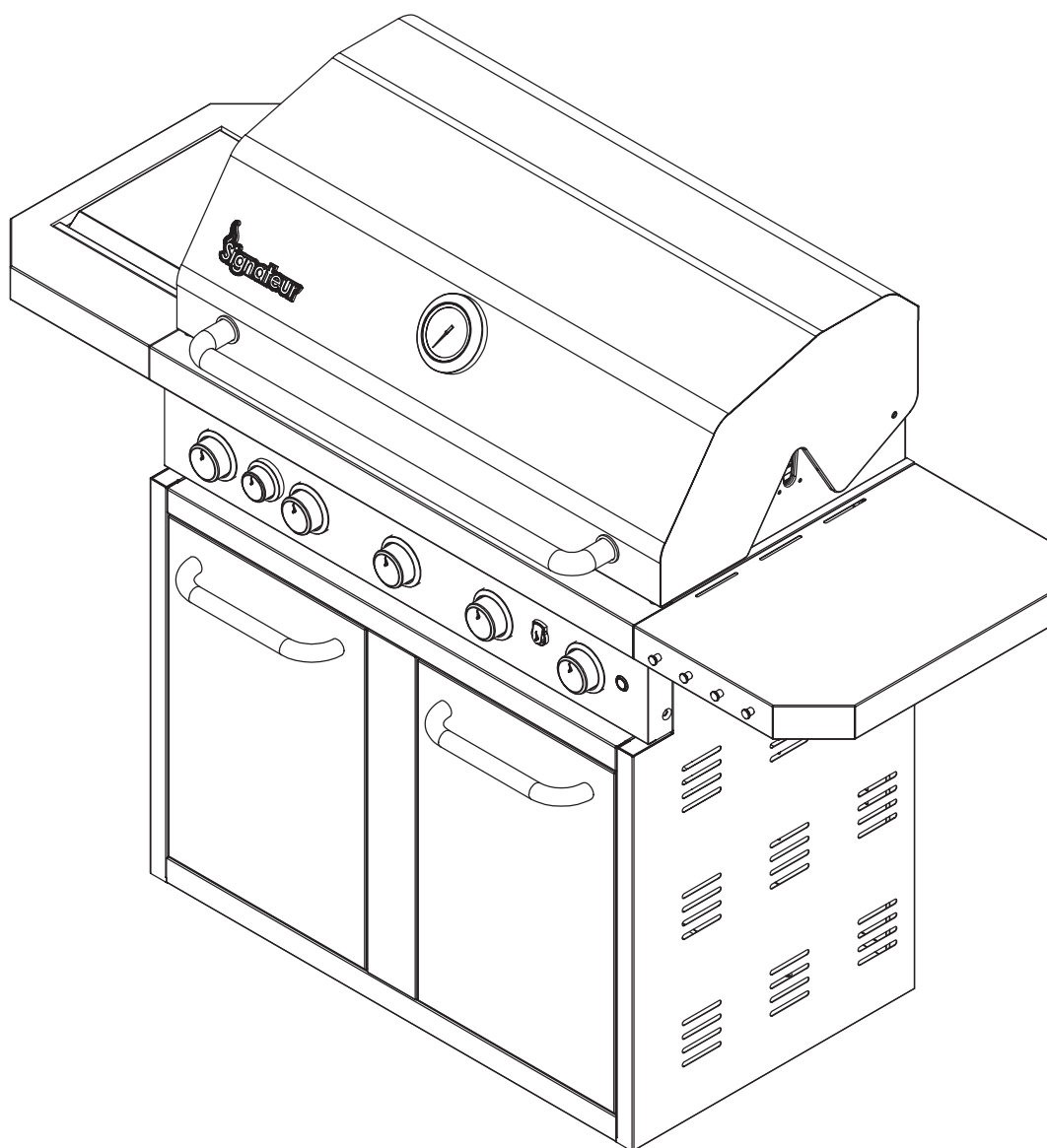
Our support staff will review the issue and respond within 24 hours. If the part and/or product is defective, we will replace the defective part and/or product at no cost to you during the warranty

Signateur TM/MC

**INSTRUCTIONS D'ASSEMBLAGE
ET D'ENTRETIEN**

BARBECUE À 5 BRÛLEURS

N° de modèle 150011



DOUBLE VALVE DE GAZ



IMPORTANT!

LIRE ATTENTIVEMENT ET CONSERVER POUR CONSULTATION ULTÉRIEURE.



CONSIGNES DE SÉCURITÉ IMPORTANTES

NOUS VOULONS QUE VOUS ASSEMBLIEZ ET UTILISIEZ VOTRE BARBECUE LE PLUS SÉCURITAIREMENT POSSIBLE. PAR CE SYMBOLE D'ALERTE DE SÉCURITÉ ▲, NOUS ATTIRONS VOTRE ATTENTION SUR LES RISQUES LIÉS À L'ASSEMBLAGE ET À L'UTILISATION DE VOTRE BARBECUE.

LORSQUE VOUS APERCEVEZ LE SYMBOLE D'ALERTE DE SÉCURITÉ ▲, SOYEZ TRÈS ATTENTIF AUX RENSEIGNEMENTS QUI SUIVENT! ▲ PRENEZ DONC LE TEMPS DE LIRE TOUS LES AVERTISSEMENTS ET INSTRUCTIONS AVANT D'ASSEMBLER ET D'UTILISER VOTRE BARBECUE.

▲ DANGER

EN PRÉSENCE D'UNE ODEUR DE GAZ:

1. Couper l'alimentation en gaz.
2. Éteindre toute flamme nue.
3. Ouvrir le couvercle.
4. Si l'odeur persiste, se tenir à l'écart du barbecue et appeler immédiatement le fournisseur de gaz ou le service d'incendie.

LE NON-RESPECT DE CES INSTRUCTIONS POURRAIT ENTRAÎNER UN INCENDIE OU UNE EXPLOSION, ET DONC DES DOMMAGES MATÉRIELS, DES BLESSURES, VOIRE LA MORT.

▲ AVERTISSEMENT

1. Ne pas entreposer ou utiliser de l'essence ou un autre produit inflammable à proximité de ce barbecue ou de tout autre appareil.
2. Ne pas obstruer la circulation de l'air de combustion et de ventilation.

▲ DANGER



- a) Ne pas entreposer de bonbonne de recharge sous le barbecue ou à proximité.
- b) Ne jamais remplir la bonbonne au-delà des 80 %.
- c) Si les directives a) et b) ne sont pas respectées à la lettre, il y a risque d'incendie pouvant causer des blessures graves, voire mortelles.

▲ AVERTISSEMENT


LIRE ET OBSERVER TOUS LES AVERTISSEMENTS ET INSTRUCTIONS DU PRÉSENT GUIDE, CAR LE NON-RESPECT DE CEUX-CI POURRAIT ENTRAÎNER UNE EXPLOSION, ET DONC DES DOMMAGES MATÉRIELS, DES BLESSURES, VOIRE LA MORT.

▲ AVERTISSEMENT

CET ÉQUIPEMENT EST ÉQUIPÉ POUR FONCTIONNER AU GAZ PROPANE QUI CONTIENT LE BENZÈNE CHIMIQUE, CONNU DE L'ÉTAT DE CALIFORNIE POUR CAUSER LE CANCER ET

TABLE DES MATIÈRES:

Mises en garde	23
Caractéristiques techniques et installation de la bonbonne de propane	24-25
Caractéristiques techniques et installation de la conduite de gaz et du régulateur	25-26
Essais d'étanchéité	26-27
Avant de commencer	28
Instructions d'allumage	28-29
Utilisation du barbecue	30-31
Autres fonctions du barbecue	31
Entretien et nettoyage	32-33
Transport et entreposage	34
Dépannage	35
Liste des pièces	36
Instructions d'assemblage	37-38
Garantie	39

 **DANGER:** Indique un danger imminent pouvant entraîner des blessures graves, voire la mort.

 **AVERTISSEMENT:** Indique un risque de blessure grave en cas de non-respect des instructions. Lire et respecter à la lettre ces dernières.

 **ATTENTION:** Indique un danger potentiel pouvant entraîner des blessures légères ou modérées.

MISES EN GARDE:

AVERTISSEMENT

- Soumettre tous les raccords à un essai d'étanchéité avant la première utilisation, même si le barbecue était entièrement assemblé à l'achat, ainsi qu'après chaque remplissage de la bonbonne. Vérifier que le joint de caoutchouc de la bonbonne de propane est en bon état.
- Inspecter le barbecue et la bonbonne avant chaque utilisation, conformément aux sections « Vérification des fuites » et « Avant de commencer » du présent guide.
- Pour confiner la cendre et éviter les incendies, il faut placer les copeaux de bois de fumage dans une boîte de fumage en métal.
- Vérifier à chaque utilisation que les flammes jaillissent de tous les brûleurs. Les araignées et les insectes aiment installer leurs nids dans les conduits des brûleurs. Ce genre d'obstruction peut empêcher le gaz d'atteindre les brûleurs et augmente le risque d'apparition de flammes dans les conduits ou sous le barbecue.
- Ne jamais rechercher des fuites à l'aide d'une allumette ou de toute autre flamme nue.
- Ne jamais utiliser ni entreposer d'essence, d'essence à briquet, de diluant à peinture ou d'autre substance combustible dégageant des vapeurs ou liquides inflammables dans le barbecue ou à proximité.
- NE PAS obstruer les orifices de ventilation des côtés, de l'arrière ou du compartiment du chariot du barbecue.
- NE PAS recouvrir les grilles de cuisson ou tout autre composant de papier d'aluminium, ce qui obstruerait la ventilation, endommagerait le barbecue et occasionnerait un risque de blessures.
- Ne jamais placer plus de 6,8 kg (15 lb) sur les tablettes latérales. NE PAS s'appuyer sur les tablettes, NI SOULEVER le barbecue à partir de celles-ci.
- Empêcher les enfants et les animaux domestiques d'approcher le barbecue quand il est chaud. NE PAS laisser les enfants utiliser le barbecue ni jouer à proximité.
- NE PAS laisser le barbecue sans surveillance lorsqu'il est ALLUMÉ ou utilisé.
- NE PAS laisser la conduite de gaz toucher à des surfaces chaudes. Déplacer la conduite au besoin.
- NE PAS laisser de graisse ou de gouttelettes tomber sur la conduite de gaz avec régulateur. Si cela se produit, COUPER l'alimentation en gaz immédiatement. Vider le plateau ou réceptacle à graisse, nettoyer la conduite et le régulateur, puis vérifier que tout est en ordre avant de recommencer à utiliser le barbecue.
- Ne jamais utiliser le barbecue si le plateau ou réceptacle à graisse n'est pas en place.
- Tenir les cordons d'alimentation électrique loin des surfaces mouillées ou chaudes.
- NE PAS jeter d'eau sur un feu de friture. Il est impossible d'éteindre un feu de friture en refermant le couvercle. Utiliser un extincteur à poudre chimique de type BC ou étouffer le feu avec de la terre, du sable ou du bicarbonate de soude.
- NE PAS utiliser le barbecue avec les facultés affaiblies par la drogue ou l'alcool.
- USAGE EXTÉRIEUR SEULEMENT. NE PAS utiliser à l'intérieur ou dans un espace clos comme un garage, une remise, un passage recouvert ou tout autre bâtiment.
- Placer le barbecue à l'extérieur sur une surface incombustible de niveau, dans un endroit bien aéré, à une distance sécuritaire de 3,1 m (10 pi) de matériaux, bâtiments et porte-à-faux combustibles.
- En appartement : Vérifier auprès de l'administration et respecter les exigences et le code de prévention des incendies quant à l'utilisation d'un barbecue au propane dans votre immeuble d'habitation. N'utiliser le barbecue qu'à l'extérieur, sur le sol (et non sur un balcon ou un patio, dans un garage, etc.), et assurer un dégagement minimal de 4,6 m (15 pi) entre l'arrière et les côtés de l'appareil et tout mur, structure ou matériau combustible.
- Assurer un dégagement minimal de 91,44 cm (36 po) entre l'arrière et les côtés du barbecue et les garde-corps d'une terrasse, les murs et toute autre structure combustible. Le non-respect du dégagement minimal peut réduire la ventilation et augmenter le risque d'incendie ou de dommages matériels, voire de blessures. NE PAS utiliser le barbecue sous un porte-à-faux en matériaux combustibles.
- NE PAS utiliser ni installer le barbecue dans ou sur un véhicule récréatif ou un bateau.
- NE PAS encastrer ni insérer ce modèle de barbecue dans une structure.
- Si une brosse à poils est employée pour nettoyer les surfaces de cuisson, s'assurer qu'aucun poil ne demeure sur celles-ci avant d'utiliser le barbecue, car ils pourraient coller aux aliments.
- NE PAS entreposer d'objets susceptibles de s'enflammer ou d'endommager le barbecue dans le chariot (articles et produits chimiques pour piscine, nappes, copeaux de bois).
- Le barbecue est chaud lorsqu'il est allumé. Pour éviter les brûlures:
 - NE PAS tenter de déplacer le barbecue.
 - Bloquer les roues pour empêcher le barbecue de rouler accidentellement.
 - Porter des gants protecteurs ou des mitaines de cuisson.
 - NE PAS toucher aux surfaces de cuisson, car elles sont chaudes.
 - NE PAS porter de vêtements amples ou laisser ses cheveux entrer en contact avec le barbecue.
- Lorsque le barbecue fonctionne à haute température pendant une longue période, le panneau de commande et les boutons deviennent très chauds.
- Ce barbecue n'est pas destiné à un usage commercial. NE PAS l'utiliser à des fins autres que celles prévues.

CARACTÉRISTIQUES TECHNIQUES ET INSTALLATION DE LA BONBONNE DE PROPANE:

AVERTISSEMENT

- NE BRANCHER LE BARBECUE QU'À une soupape de bonbonne de type 1. Ce type de soupape est reconnaissable à son gros filetage extérieur.
- NE PAS brancher une bonbonne de propane d'une capacité de plus de 9,1 kg (20 lb).
- NE PAS brancher une bonbonne munie d'un autre type de raccordement.
- Avant l'utilisation, vérifier que le joint de caoutchouc de la soupape de la bonbonne de propane ne présente pas de fissures ni de signes d'usure ou de détérioration. Un joint de caoutchouc endommagé peut entraîner une fuite de gaz et ainsi causer une explosion, un incendie et des blessures graves.
- Fermer le robinet de la bonbonne si vous n'utilisez pas le barbecue.
- Manipuler la bonbonne prudemment.
- Ne jamais coucher la bonbonne.
- Ne jamais brancher une bonbonne de propane sans régulateur au barbecue.
- NE PAS exposer la bonbonne de propane à une chaleur excessive ou une source d'inflammation.
- Faire remplir et réparer la bonbonne de propane seulement par un fournisseur de propane autorisé.
- NE PAS remplir la bonbonne au-delà des 80 %.
- Lire et observer tous les avertissements et instructions accompagnant la bonbonne et inscrits dessus.

DANGER

- NE PAS entreposer de bonbonne de propane (pleine ou vide) sous le barbecue ou à proximité, car elle pourrait atteindre une pression excessive et libérer du gaz par sa soupape de sûreté, ce qui pourrait causer un incendie, une explosion, des blessures graves, voire la mort.
- Le gaz propane est plus lourd que l'air et s'accumule dans les zones basses. Il est très important que les lieux soient bien aérés. Vérifier que les orifices de ventilation de la bonbonne de propane sont dégagés.
- NE PAS insérer d'objets étrangers dans la soupape de la bonbonne pour éviter d'endommager le joint de caoutchouc. Ne pas utiliser une bonbonne de propane dont le joint est endommagé. Un joint de caoutchouc endommagé peut entraîner une fuite de gaz et ainsi causer une explosion, un incendie et des blessures graves, voire la mort. Avant l'utilisation, vérifier que le joint de caoutchouc ne présente pas de fissures ni de signes d'usure ou de détérioration.
- Ne jamais coucher la bonbonne, que ce soit à l'utilisation, au transport ou à l'entreposage.

CARACTÉRISTIQUES TECHNIQUES DE LA BONBONNE DE PROPANE:

Bonbonne de propane (non fournie avec le barbecue)

Le barbecue est conçu pour recevoir les bonbonnes de propane d'un diamètre de 30,5 cm (12 po), d'une hauteur de 45,72 cm (18 po) et d'une capacité de 9,1 kg (20 lb) munies d'un robinet de type 1 et d'un dispositif antidébordement.

Le barbecue est conçu pour recevoir toute bonbonne de 9,1 kg (20 lb) offerte sur le marché. Le plateau amovible peut être réglé pour accueillir les bonbonnes au diamètre inférieur.

L'installation de cet appareil doit être conforme à:

Tous les codes locaux applicables, ou en l'absence de codes locaux, soit:

- National Fuel Gas Code ANSI Z223.1/NFPA 54
- Code d'installation du gaz naturel et du propane CSA B149.1-15
- Code d'installation du gaz naturel CAN/CGA-B149.1-M91 (Canada)
- Code d'installation du propane CAN/CGA B149.2-M91 (Canada)

Pour consulter les codes locaux, communiquer avec votre fournisseur de propane ou de gaz naturel.

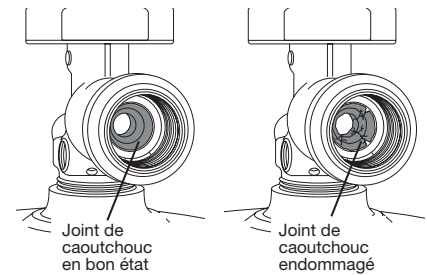
La bonbonne de propane achetée ou échangée doit : avoir été fabriquée et identifiée conformément aux exigences du département des Transports (DOT) des États-Unis sur les bonbonnes de propane, ou de la norme CAN/CSA-B339, Bouteilles à gaz cylindriques et sphériques et tubes pour le transport des marchandises dangereuses; être consignée, le cas échéant; être fournie avec un dispositif antidébordement homologué et un dispositif de branchement compatible avec le raccord des appareils de cuisson d'extérieur.

La bonbonne doit comporter:

- une soupape d'arrêt menant à un robinet de type 1.
- un robinet de type 1 parfaitement étanche qui empêche l'échappement du gaz.
- un mécanisme d'évacuation des vapeurs.

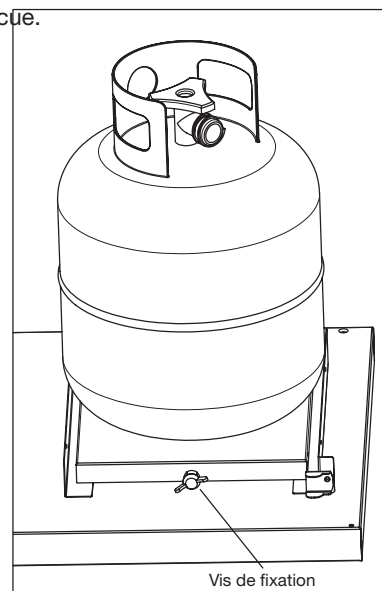
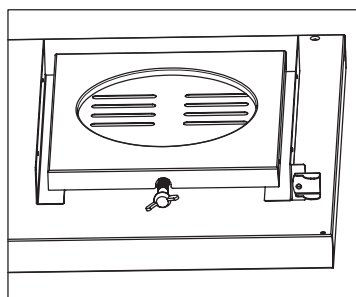
INSPECTION DU JOINT DE CAOUTCHOUC DE LA BONBONNE DE PROPANE

- Avant l'utilisation, vérifier que le joint de caoutchouc de la soupape de la bonbonne de propane ne présente pas de fissures ni de signes d'usure ou de détérioration. Un joint de caoutchouc endommagé peut entraîner une fuite de gaz et ainsi causer une explosion, un incendie et des blessures graves.
- Effectuer cette inspection chaque fois que la bonbonne de propane est raccordée au barbecue, remplie, échangée ou ne sert pas pendant plus de 60 jours.
- Ne pas utiliser une bonbonne de propane dont le joint de caoutchouc est endommagé. Échanger la bonbonne ou en faire remplacer le joint dans une station de remplissage autorisée.



INSTALLATION DE LA BONBONNE DE PROPANE DANS LE BARBECUE:

1. Vérifier que la soupape de la bonbonne est fermée en tournant le robinet dans le sens horaire. Vérifier que le joint de caoutchouc de la soupape ne présente pas de fissures ni de signes de détérioration. Ne pas utiliser une bonbonne de propane dont le joint est endommagé, car une fuite de gaz pourrait se produire.
2. Placer la bonbonne sur le support au bas de l'armoire.
3. Orienter la bonbonne de façon que la soupape soit face au côté droit du barbecue pour ne pas avoir à tordre la conduite de gaz, ce qui l'endommagerait.
4. Fixer la bonbonne en serrant complètement la vis à l'arrière du barbecue.



CARACTÉRISTIQUES TECHNIQUES ET INSTALLATION DE LA CONDUITE DE GAZ ET DU RÉGULATEUR

⚠ AVERTISSEMENT

- Pour convertir un barbecue bicarburant au gaz naturel, il faut installer une trousse de conversion Signateur SCKDF-10 (vendue séparément).
- **NE PAS** utiliser de conduite de gaz avec régulateur de pression autre que celle fournie avec le barbecue. Pour obtenir une conduite de gaz avec régulateur de pression de rechange, commander la pièce no 1500111-0003 auprès du service à la clientèle: appeler au (800) 961-6196 (en anglais seulement) en semaine de 6 h à 14 h (heure du Pacifique) ou écrire à support@signateur.com
- **NE PAS** tenter d'ajuster ni de réparer le régulateur : il peut fonctionner à une pression de sortie maximale de 27,94 cm (11 po)
- Utiliser la conduite de gaz avec régulateur de pression fournie avec le barbecue. Les conduites de gaz avec régulateur de pression de rechange doivent être celles indiquées par le fabricant du barbecue.
- Vérifier que la soupape est **FERMÉE** avant de raccorder la bonbonne de propane au barbecue. Pour bien la fermer, tourner le robinet dans le sens horaire. Lire et observer tous les avertissements et instructions inscrits sur les étiquettes de sécurité de la conduite de gaz. Lire et observer tous les avertissements du présent guide sur l'utilisation sécuritaire de la bonbonne

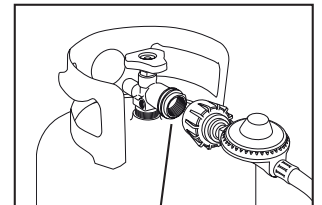
CONDUITE DE GAZ AVEC RÉGULATEUR:

Le barbecue est muni d'un dispositif de branchement de type 1 présentant les caractéristiques suivantes:

1. Le système empêche le gaz de sortir de la bonbonne si la soupape est mal raccordée.
N.B. : La soupape de la bonbonne et tous les boutons de commande du barbecue doivent être FERMÉS avant tout raccordement ou débranchement.
2. Le dispositif de limitation de débit du régulateur, lorsqu'il est activé, limite l'écoulement du gaz à 0,28 m³ (10 pi³) par heure. S'il est activé, suivre la « Procédure de réinitialisation du régulateur ».
N.B. : Si le barbecue ne chauffe pas suffisamment pour la cuisson, c'est peut-être que le dispositif de limitation de débit a été activé.

RACCORDEMENT DE LA CONDUITE DE GAZ AVEC RÉGULATEUR:

1. Avant l'utilisation, vérifier que le joint de caoutchouc de la soupape de la bonbonne de propane ne présente pas de fissures ni de signes d'usure ou de détérioration. Un joint de caoutchouc endommagé peut entraîner une fuite de gaz et ainsi causer une explosion, un incendie et des blessures graves. Ne pas utiliser une bonbonne de propane dont le joint est endommagé.
2. Raccorder le régulateur à la bonbonne de propane ou l'en débrancher seulement si celle-ci repose sur le support.
3. Vérifier que la soupape de la bonbonne est fermée en tournant le robinet dans le sens horaire.
4. Vérifier que les boutons de commande du barbecue sont en position éteinte (OFF).
5. Avant chaque utilisation, inspecter visuellement la conduite de gaz avec régulateur pour vérifier qu'elle ne présente pas de dommages ni de signes d'usure excessive ou de détérioration. Le cas échéant, remplacer la conduite avec régulateur avant d'utiliser le barbecue. Utiliser seulement les pièces de rechange fournies par le fabricant.
6. Retirer le capuchon protecteur en plastique de la soupape.
7. Vérifier que la conduite de gaz n'est pas tordue et qu'elle n'est pas en contact avec des objets tranchants ou qui deviendront chauds pendant l'utilisation du barbecue.
8. Tenir le régulateur et insérer le mamelon de laiton bien au centre de la soupape de la bonbonne de propane.
9. Tourner le gros écrou de raccordement dans le sens horaire avec la main; serrer complètement. Prendre soin de ne pas fausser le filetage en vissant l'écrou sur la soupape de la bonbonne. Ne pas utiliser d'outil pour serrer l'écrou.
N.B. : S'il est impossible d'effectuer le raccordement, recommencer les étapes 7 et 8.
10. Avant d'allumer le barbecue, vérifier qu'aucun raccordement ne fuit. Consulter la section « Essais d'étanchéité » du présent guide.
N.B. : Pour débrancher le régulateur de la bonbonne de propane, fermer le robinet et tourner le gros écrou de raccordement dans le sens antihoraire, puis le retirer



Inspecter le joint de caoutchouc

PROCÉDURE DE RÉINITIALISATION DU RÉGULATEUR:

Si le barbecue ne chauffe pas suffisamment pour la cuisson, c'est peut-être que le dispositif de limitation de débit a été activé.

Réinitialisation rapide:

Tourner TOUS les boutons de commande en position éteinte (OFF) et fermer le robinet de la bonbonne. Attendez dix minutes. Ouvrir lentement le robinet et rallumer le barbecue. Si les flammes des brûleurs sont plus fortes et que le barbecue chauffe adéquatement, c'est qu'il est prêt pour la cuisson.

Réinitialisation complète:

Tourner TOUS les boutons de commande en position éteinte (OFF) et fermer le robinet de la bonbonne. Débrancher la conduite de gaz avec régulateur. Attendre 2 minutes, raccorder la conduite et effectuer un essai d'étanchéité.

ESSAIS D'ÉTANCHÉITÉ:

⚠ AVERTISSEMENT

- Ne jamais utiliser le barbecue sans avoir soumis tous les raccordements, les conduites et la bonbonne de propane à un essai d'étanchéité. Cette section indique la marche à suivre.

⚠ DANGER

Pour éviter le risque d'incendie ou d'explosion:

- NE PAS fumer ou placer de source d'inflammation près du barbecue lors d'un essai d'étanchéité.

QUAND EFFECTUER UN ESSAI D'ÉTANCHÉITÉ:

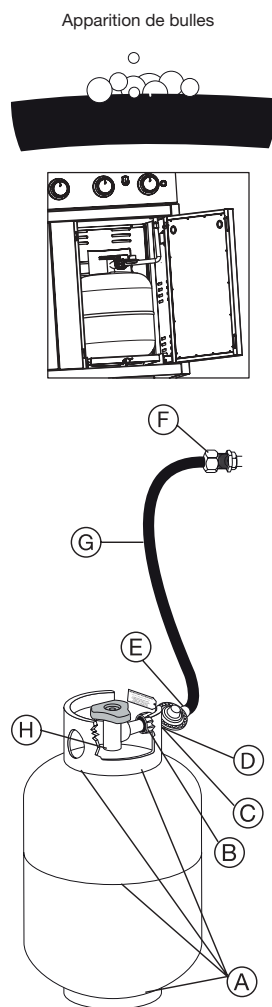
- Après avoir assemblé le barbecue et avant de l'allumer pour la première fois, même s'il était entièrement assemblé à l'achat.
- Après chaque remplissage ou échange de la bonbonne de propane, ou après tout débranchement ou remplacement d'un composant.
- Chaque fois que le barbecue est déplacé.
- Au moins une fois par année ou lorsque le barbecue n'a pas servi pendant plus de 60 jours.

VÉRIFICATION DES FUITES:

▲ ATTENTION : Les fortes odeurs, un rhume ou une congestion des sinus peuvent vous empêcher de déceler l'odeur de propane. Faire preuve de prudence et de bon sens au moment de vérifier la présence de fuites.

N.B.: Les essais d'étanchéité doivent être effectués dans un endroit bien éclairé pour que toute bulle soit visible; un endroit venteux ou bruyant pourrait vous empêcher de déceler les fuites importantes par l'ouïe ou l'odorat.

1. Mélanger une part d'eau et une part de détergent liquide à lave-vaisselle.
2. Ouvrir le couvercle.
3. Vérifier que tous les boutons de commande sont en position éteinte (OFF).
4. Ouvrir complètement le robinet de la bonbonne en le tournant dans le sens antihoraire. S'il produit un bruit strident ou dégage une odeur de gaz, fermer le robinet. Serrer tous les raccords qui fuient. Si une fuite est décelée à l'écrou de raccordement et qu'elle persiste après le resserrement de ce dernier, inspecter de nouveau le joint de caoutchouc de la bonbonne de propane.
5. Appliquer le mélange d'eau savonneuse sur les composants suivants :
 - (A) Soudure de la bonbonne.
 - (B) Point de contact entre l'écrou de raccordement et la soupape.
 - (C) Arrière du point de contact entre l'écrou de raccordement et le mamelon de laiton.
 - (D) Raccord du mamelon de laiton au régulateur.
 - (E) Raccord du régulateur à la conduite de gaz.
 - (F) Raccord de la conduite de gaz à la rampe à gaz.
 - (G) Conduite de gaz.
 - (H) Soupape de la bonbonne.
6. Rechercher à chacun de ces endroits (A à H) la présence de bulles, qui indiqueraient une fuite. Les fuites importantes risquent de ne pas produire de bulles, mais plutôt produire un bruit strident ou dégager une odeur de gaz.
7. Fermer le robinet de la bonbonne.
8. Ouvrir les boutons de commande pour faire passer le gaz dans la conduite.
9. Tourner les boutons de commande en position éteinte (OFF).
10. Serrer tous les raccords qui fuient. Si une fuite est décelée à l'écrou de raccordement et qu'elle persiste après le resserrement de ce dernier, inspecter de nouveau le joint de caoutchouc de la bonbonne de propane (page 36)
11. Recommencer l'essai à l'eau savonneuse jusqu'à ce que plus aucune fuite ne soit décelée.
12. Fermer le robinet de la bonbonne. Le rouvrir seulement au moment d'utiliser le barbecue.
13. Rincer tout résidu de savon à l'eau froide et essuyer avec une serviette.
14. Attendre 5 minutes pour permettre au gaz de s'évacuer avant d'allumer le barbecue.



▲ AVERTISSEMENT: NE PAS utiliser le barbecue si des fuites persistent.
Joindre un service de réparation d'appareils au gaz autorisé.

AVANT DE COMMENCER:

⚠ DANGER

Le non-respect des mesures de sécurité ci-dessous pourrait entraîner des dommages matériels, des blessures, des brûlures graves, voire la mort. Il faut suivre ces étapes après avoir assemblé le barbecue ainsi qu'avant chaque utilisation. **NE PAS** utiliser ce barbecue avant d'avoir pris connaissance de **TOUS** les avertissements et instructions du présent guide.

- Vérifier que le barbecue a bien été assemblé.
- Avant chaque utilisation, vérifier que la conduite de gaz ne présente aucun pli, brûlure ni marque de frottement et qu'elle est bien placée. Si elle présente des coupures ou des signes évidents d'abrasion ou d'usure excessive, elle doit être remplacée avant la prochaine utilisation. Commander la conduite de gaz avec régulateur no 1500111-0003 auprès du service à la clientèle : appeler au (800) 961-6196 (en anglais seulement) en semaine de 6 h à 14 h (heure du Pacifique) ou écrire à support@signateur.com
- Bien placer le réceptacle à graisse vide sous l'orifice de vidange au bas du barbecue pour recueillir la graisse pendant la cuisson.
- **NE PAS** obstruer les orifices de ventilation des côtés, de l'arrière ou du compartiment du chariot du barbecue.

INSTRUCTIONS D'ALLUMAGE:

⚠ AVERTISSEMENT

Lire et observer tous les avertissements et instructions du présent guide. **NE PAS** sauter les étapes indiquées dans les sections précédentes.

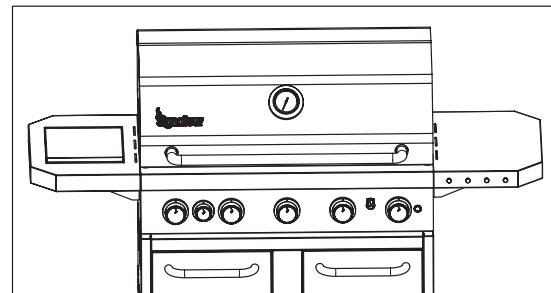
Suivre les instructions à la lettre.

1. **OUVRIR LE COUVERCLE DU BARBECUE** avant de tenter d'allumer un brûleur afin que les vapeurs ne s'accumulent pas à l'intérieur. Si le couvercle est fermé, une explosion pourrait se produire.
2. Vérifier que tous les boutons de commande des brûleurs et le robinet sont en position éteinte (OFF).
3. Ouvrir lentement et complètement le robinet de la bonbonne en le tournant dans le sens antihoraire.
4. **NE PAS** se pencher de façon que la tête, le torse ou les bras soient au-dessus du barbecue pendant l'allumage.

ALLUMAGE DES BRÛLEURS PRINCIPAUX:

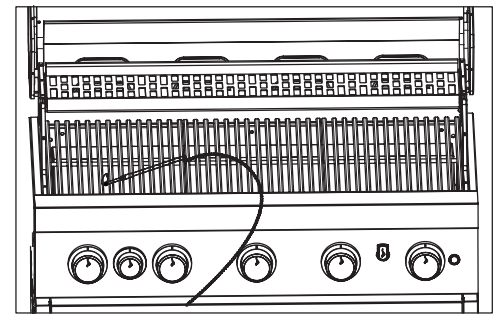
1. Ouvrir le couvercle avant d'allumer tout brûleur.
2. Vérifier que tous les boutons sont en position éteinte (OFF).
3. Sélectionnez le premier brûleur gauche à allumer. Poussez et tournez le bouton de commande de ce brûleur sur Haute position.
4. Appuyer sur l'allumeur électronique pendant 3 à 5 secondes pour allumer le brûleur.
5. Si le brûleur ne s'allume PAS dans les 5 secondes, tourner le bouton en position éteinte (OFF), attendre 5 minutes pour laisser le gaz s'échapper, puis recommencer la procédure d'allumage.
6. Recommencer les étapes 3 à 5 pour chaque brûleur. Toujours utiliser l'allumeur électronique. Si un brûleur ne s'allume pas à l'aide de ce dernier, consulter la section « Allumage du brûleur principal avec une tige d'allumage » du présent guide.
7. Pour éteindre le barbecue, tourner chaque bouton dans le sens horaire jusqu'à ce qu'il s'enclenche en position éteinte (OFF). Cette mesure ne coupe toutefois pas l'alimentation en gaz depuis la bonbonne.

N.B. : Si le brûleur ne s'allume pas ou si la flamme est trop faible, consulter la section « Dépannage » du présent guide.



ALLUMAGE DU BRÛLEUR PRINCIPAL AVEC UNE TIGE D'ALLUMAGE:

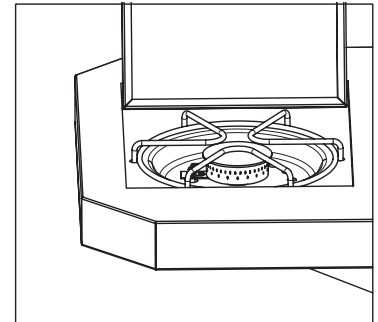
1. Ouvrir le couvercle avant d'allumer le brûleur.
2. Vérifier que tous les boutons sont en position éteinte (OFF).
3. Placer une allumette de papier au bout de la tige d'allumage. Allumer l'allumette et l'insérer à travers la grille de cuisson, à environ 1,57 cm (5/8 po) du brûleur.
4. Tourner le bouton du brûleur en position pleine puissance (HIGH). Il devrait s'allumer dans les 5 secondes.
5. Si le brûleur ne s'allume pas, tourner le bouton en position éteinte (OFF), attendre 5 minutes pour laisser le gaz s'échapper, puis recommencer la procédure d'allumage.
6. Allumer ensuite les brûleurs adjacents en suivant les étapes 3 à 6.
7. Si le brûleur ne s'allume pas après quelques tentatives avec la tige d'allumage, c'est l'approvisionnement en gaz qui pose problème. Tourner le bouton de commande du barbecue en position éteinte (OFF) et fermer le robinet de la bonbonne. NE PAS tenter d'allumer le barbecue avant que le problème soit trouvé puis réglé.
N.B.: Si le brûleur ne s'allume pas ou si la flamme est trop faible, consulter la section « Dépannage » du présent guide.



Tige d'allumage

ALLUMAGE DU BRÛLEUR LATÉRAL:

1. Ouvrir le couvercle du brûleur latéral avant de l'allumer.
2. Vérifier que tous les boutons sont en position éteinte (OFF).
3. Appuyer et tourner le bouton du brûleur latéral en position pleine puissance (HIGH).
4. Appuyer sur l'allumeur électronique du panneau de commande principal pendant 3 à 5 secondes pour allumer le brûleur.
5. Si le brûleur ne s'allume PAS dans les 5 secondes, tourner le bouton en position éteinte (OFF), attendre 5 minutes pour laisser le gaz s'échapper, puis recommencer la procédure d'allumage.
N.B.: Si le brûleur ne s'allume pas ou si la flamme est trop faible, consulter la section « Dépannage » du présent guide.



ALLUMAGE DU BRÛLEUR LATÉRAL AVEC UNE TIGE D'ALLUMAGE:

1. Ouvrir le couvercle du brûleur latéral avant de l'allumer.
2. Tourner le bouton du brûleur en position éteinte (OFF).
3. Placer une allumette de papier au bout de la tige d'allumage.
4. Allumer l'allumette et la tenir à environ 1,57 cm (5/8 po) du brûleur.
5. Tourner le bouton du brûleur latéral en position pleine puissance (HIGH). Il devrait s'allumer dans les 5 secondes.
6. Si le brûleur ne s'allume pas, tourner le bouton en position éteinte (OFF), attendre 5 minutes pour laisser le gaz s'échapper, puis recommencer la procédure d'allumage.
7. Si le brûleur ne s'allume pas après quelques tentatives avec la tige d'allumage, c'est l'approvisionnement en gaz qui pose problème. Tourner le bouton de commande du barbecue en position éteinte (OFF) et fermer le robinet de la bonbonne. NE PAS tenter d'allumer le barbecue avant que le problème soit trouvé puis réglé.
N.B.: Si le brûleur ne s'allume pas ou si la flamme est trop faible, consulter la section « Dépannage » du présent guide.
N.B.: Observer la hauteur de la flamme; elle devrait être bleue et jaune et mesurer de 2,54 à 5,08 cm (1 à 2 po) lorsque le bouton du brûleur est en position pleine puissance (HIGH).



UTILISATION DU BARBECUE:

⚠ AVERTISSEMENT

- Lire et observer tous les avertissements et instructions des sections précédentes du présent manuel.
- Pour confiner la cendre et éviter les incendies, il faut placer les copeaux de bois de fumage dans une boîte de fumage en métal.
- NE PAS recouvrir les grilles de cuisson ou tout autre composant de papier d'aluminium, ce qui obstruerait la ventilation, endommagerait le barbecue et occasionnerait un risque de blessures.
- NE PAS laisser le barbecue sans surveillance lorsqu'il est allumé ou utilisé.
- NE PAS déplacer le barbecue pendant l'utilisation.
- NE PAS jeter d'eau sur un feu de friture. Il est impossible d'éteindre un feu de friture en refermant le couvercle. Utiliser un extincteur à poudre chimique de type BC ou étouffer le feu avec de la terre, du sable ou du bicarbonate de soude..
- Ne jamais utiliser le barbecue si le plateau ou réceptacle à graisse n'est pas en place.

PREMIÈRE UTILISATION DE VOTRE BARBECUE:

- Nos processus de fabrication et de protection des composants peuvent laisser des résidus d'huile sur les brûleurs et les surfaces de cuisson du barbecue..
- Avant de préparer des aliments sur votre barbecue pour la première fois, il convient de le préchauffer à température élevée (HIGH) pour brûler ces résidus d'huile..

PRÉCHAUFFAGE DU BARBECUE:

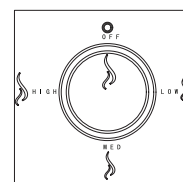
- Il est recommandé de préchauffer le barbecue avant chaque utilisation. Ainsi, les surfaces de cuisson seront à la température voulue pour saisir les sucres alimentaires à la cuisson. Après avoir allumé le barbecue, tourner les boutons de commande des brûleurs principaux en position pleine puissance (HIGH) et attendre de 5 à 10 minutes. Fermer le couvercle pendant cette période de préchauffage.

CONTRÔLE DES EMBRASEMENTS ET DES FEUX DE FRITURE:

- L'embrasement est un phénomène normal dans la cuisson de viande sur un barbecue au gaz, phénomène qui contribue d'ailleurs au goût unique des aliments qui y sont préparés. Ouvrir le couvercle prudemment, car des embrasements peuvent survenir soudainement. Des embrasements excessifs peuvent brûler vos aliments et présenter un danger pour vous et votre barbecue; ils sont causés par l'accumulation de graisse dans le barbecue. Le cas échéant, NE PAS verser d'eau sur les flammes, car l'eau pourrait produire des éclaboussures de graisse et entraîner des brûlures ou des blessures graves.
- Si un feu de friture se produit pendant que le couvercle est ouvert, ne pas fermer le couvercle, mais tourner les boutons des brûleurs en position éteinte (OFF) et fermer le robinet de la bonbonne. Dans la mesure du possible, déplacer les aliments dans une autre section de la grille de cuisson, puis laisser la graisse brûler ou étouffer les flammes avec du bicarbonate de soude.
- Si un feu de friture se produit pendant que le couvercle est fermé, ne pas ouvrir le couvercle, car une bouffée d'air pourrait aviver les flammes. Tourner les boutons des brûleurs en position éteinte (OFF) et fermer le robinet de la bonbonne. Laisser le feu s'éteindre.
- Ne jamais verser d'eau sur les flammes, car l'eau pourrait produire des éclaboussures de graisse et entraîner des blessures ou des dommages matériels.
- Si le feu de friture ne s'éteint pas rapidement ou s'il se répand, utiliser un extincteur à poudre chimique de type BC ou étouffer le feu avec de la terre, du sable ou du bicarbonate de soude. Il est impossible d'éteindre un feu de friture en refermant le couvercle.

CONSEILS POUR RÉDUIRE LES EMBRASEMENTS:

- Enlever l'excédent de gras de la viande avant la cuisson.
- Cuire les viandes contenant beaucoup de gras (le poulet, le porc) à feu doux ou à chaleur indirecte.
- Vérifier que le barbecue est de niveau et que la graisse peut s'écouler dans le plateau ou réceptacle par l'orifice de vidange.
- Nettoyer régulièrement le barbecue pour enlever la graisse qui s'accumule.



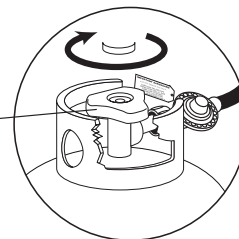
MARCHE À SUIVRE POUR ÉTEINDRE LE BARBECUE:

1. Fermer le robinet de la bonbonne.
 2. Tourner tous les boutons de commande en position éteinte (OFF).
- N.B. : Fermer d'abord le robinet de la bonbonne afin d'évacuer tout gaz du système sous pression.

▲ ATTENTION:

- Le robinet de la bonbonne doit toujours être fermé lorsque le barbecue n'est pas utilisé.

Pour fermer le robinet, le tourner dans le sens horaire jusqu'au bout.



AUTRES FONCTIONS DU BARBECUE:

▲ AVERTISSEMENT

- Avant d'allumer le brûleur latéral, lire les instructions sur l'allumage du barbecue.
- Ne jamais fermer le couvercle du brûleur latéral lorsque ce brûleur est allumé.
- Utiliser une casserole d'un diamètre maximal de 25,4 cm (10 po) qui n'est PAS MUNIE d'un manche, et bien la centrer sur le brûleur. .
- Ne jamais placer plus de 6,8 kg (15 lb) sur le brûleur latéral : il n'a pas été conçu pour soutenir ce poids.
- Prendre soin de ne pas heurter le barbecue, le brûleur latéral ou la casserole, car un déversement pourrait causer des brûlures graves.
- NE PAS utiliser le brûleur latéral pour frire des aliments dans l'huile, car cette technique de cuisson présente des risques de feu de friture..

BRÛLEUR LATÉRAL:

- Le brûleur latéral peut servir à préparer des plats d'accompagnement comme des fèves, des pommes de terre, du maïs ou des sauces.
- La température du brûleur peut être réglée selon vos besoins.

ENTRETIEN ET NETTOYAGE:

⚠ AVERTISSEMENT: Si une brosse à poils est employée pour nettoyer les surfaces de cuisson, s'assurer qu'aucun poil ne demeure sur celles-ci avant d'utiliser le barbecue, car ils pourraient coller aux aliments.

NETTOYAGE DE L'INTÉRIEUR DU BARBECUE:

- Il est recommandé d'enlever les résidus d'aliments immédiatement après la cuisson en grattant les grilles avec une brosse et en faisant fonctionner les brûleurs à pleine puissance pendant environ 5 minutes.
- Il faut nettoyer le barbecue après chaque utilisation.

⚠ AVERTISSEMENT: NE PAS laisser le barbecue sans surveillance lorsqu'il est allumé. Porter des mitaines de cuisson pour ne pas se brûler.

- La chaleur des brûleurs éliminera la plupart des résidus d'aliments et de graisse des grilles et des diffuseurs de chaleur en les réduisant en cendre, qui se déposera dans la chambre de cuisson ou le plateau à graisse. Laisser le barbecue refroidir (environ 30 minutes), enlever les grilles et le rabat-flammes, puis brosser la chambre de cuisson pour en retirer la cendre et la graisse. Nettoyer et replacer le réceptacle à graisse. Avant de réinstaller le rabat-flammes dans le barbecue, vérifier qu'il ne présente aucun signe de dommages ou de détérioration. Le cas échéant, les pièces de rechange peuvent être commandées auprès du service à la clientèle: appeler au (800) 961-61964 (en anglais seulement) en semaine de 6 h à 14 h (heure du Pacifique) ou écrire à support@signateur.com

⚠ ATTENTION: NE LAISSER AUCUNE cendre dans le plateau à graisse ou la chambre de cuisson, sans quoi elle pourrait empêcher le drainage adéquat de la graisse.

INTÉRIEUR DU COUVERCLE DU BARBECUE:

- La fumée qui s'accumule à l'intérieur du couvercle du barbecue pourrait former des plaques qui s'émietteront sur vos aliments. Nettoyer l'intérieur du couvercle avec une brosse à récurer et une solution de bicarbonate de soude et d'eau. Laisser sécher complètement. Ne pas confondre ces plaques avec de la peinture : l'intérieur du couvercle du barbecue n'est pas peint.

ENTRETIEN DE L'EXTÉRIEUR DU BARBECUE:

- Pour protéger le barbecue de la rouille, le garder propre et couvert en tout temps lorsqu'il n'est pas utilisé.
- Surfaces peintes : Laver avec un détergent doux ou un nettoyant non abrasif et de l'eau chaude savonneuse.
- Surfaces en acier inoxydable : Pour conserver l'apparence de votre barbecue, laver ces surfaces avec un détergent doux et de l'eau chaude savonneuse, puis essuyer avec un chiffon doux après chaque utilisation. Polir avec un nettoyant pour acier inoxydable en suivant le fil du matériau jusqu'à ce qu'il soit reluisant. Les dépôts de graisse cuite peuvent exiger l'utilisation d'un tampon nettoyeur abrasif en plastique. Suivre l'orientation du fini brossé pour ne pas endommager la surface. Ne pas utiliser de tampon abrasif sur les logos. La cire de voiture peut aider à protéger le fini extérieur du barbecue.
- Pièces en plastique et en caoutchouc : Laver avec de l'eau chaude savonneuse et essuyer complètement. Ne pas utiliser de Critisol, de nettoyant abrasif, de dégraissant ni de nettoyant pour barbecue concentré sur les pièces en plastique. Ces produits pourraient endommager les pièces ou les rendre non fonctionnelles.

ROUILLE:

- Les températures de cuisson élevées, les marinades acides, les feux de friture, les climats côtiers et d'autres facteurs naturels peuvent produire une décoloration, de la rouille et des piqûres de corrosion.
- Les taches de rouille sur la face intérieure peuvent être sablées, nettoyées, puis enduites ou vaporisées d'une mince couche d'huile végétale. Avec pareil traitement, elles seront moins susceptibles de s'étendre.
- Ne jamais utiliser de nettoyant contenant du chlore ni entreposer des articles ou produits pour la piscine dans le compartiment du chariot, car le chlore favorise la rouille.

NETTOYAGE ET ENTRETIEN DES BRÛLEURS:

- Tenir le barbecue loin des matières combustibles, de l'essence et d'autres gaz et liquides inflammables.
- Veiller à ce que les orifices de ventilation de la bonbonne soient dégagés en tout temps.
- Observer les flammes pour s'assurer que les brûleurs fonctionnent correctement (voir les illustrations de la section « Assemblage et

ASSEMBLAGE ET ENTRETIEN DES BRÛLEURS:

- Bien que les brûleurs soient en acier inoxydable, ils sont susceptibles de corrosion par les températures élevées et les substances acides libérées par les aliments en cuisson. Vérifier régulièrement que les brûleurs ne présentent pas de fissures, de trous anormaux ni de signes de corrosion. Le cas échéant, remplacer les brûleurs.
- NE PAS obstruer les orifices de ventilation des côtés, de l'arrière ou du compartiment du chariot du barbecue. Les conduits des brûleurs peuvent être obstrués par des nids d'araignées et d'insectes. Ce genre d'obstruction peut empêcher le gaz d'atteindre les brûleurs et augmente le risque d'apparition de flammes dans les conduits ou sous le barbecue. Pour nettoyer les brûleurs ou en remplacer des pièces, ou si le barbecue ne s'allume pas, suivre les étapes suivantes.

1. Tourner les boutons des brûleurs en position éteinte (OFF) et fermer le robinet de la bonbonne.
2. Retirer les grilles de cuisson et le rabat-flammes.
3. Retirer la goupille d'attelage de chaque brûleur.
4. Soulever prudemment chaque brûleur en l'éloignant de la soupape.
5. Plier un goupillon à bouteille ou un câble rigide en forme de crochet, puis le passer dans chaque conduit de brûleur, ou y souffler de l'air comprimé de façon qu'il ressorte par les orifices de combustion. Vérifier que l'air ressort par chaque orifice.

⚠ ATTENTION : Porter des lunettes de protection pour souffler de l'air comprimé.

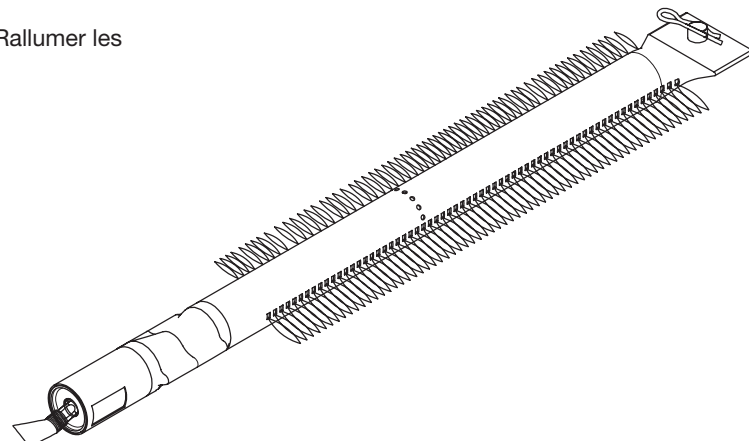
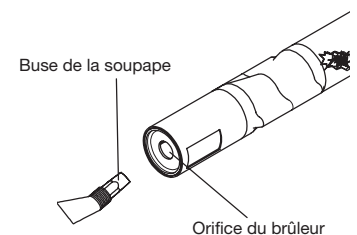
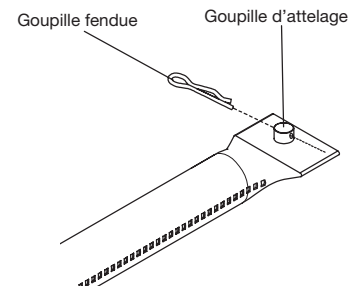
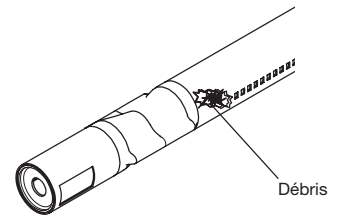
6. Nettoyer toute la surface extérieure des brûleurs avec une brosse métallique afin d'enlever les résidus alimentaires et les saletés.
7. Vérifier que les brûleurs ne présentent aucun dommage; les remplacer s'ils comportent des fissures ou des trous.
8. Réinstaller les brûleurs dans le barbecue, dans la BONNE POSITION.

IMPORTANT: L'orifice du brûleur doit glisser sur la buse de la soupape.

9. Replacer la goupille d'attelage de chaque brûleur.

N.B.: Suivre la section « Essais d'étanchéité » du présent guide. Rallumer les brûleurs pour vérifier qu'ils fonctionnent bien.

10. Replacer le rabat-flammes et les grilles de cuisson.




ALIGNEMENT DES CONDUITS ET DES BRÛLEURS

N.B. : La flamme devrait mesurer de 2,54 à 5,08 cm (1 à 2 po).

TRANSPORT ET ENTREPOSAGE:

AVERTISSEMENT

- Ne jamais déplacer le barbecue lorsqu'il est chaud ou allumé.
- Vérifier que la soupape de la bonbonne est fermée et que les boutons des brûleurs sont en position éteinte (OFF).
- **NE PAS** entreposer de bonbonne de propane (pleine ou vide) sous le barbecue ou à proximité.
- Ne jamais entreposer de liquides inflammables ou de canettes aérosol sous le barbecue ou à proximité.
- Si le barbecue n'est pas utilisé, le robinet de la bonbonne de propane doit être fermé.
- Il est permis d'entreposer un appareil de cuisson d'extérieur seulement si la bonbonne est débranchée.
- Les bonbonnes ne doivent pas être entreposées dans un bâtiment ou un espace clos, comme un garage ou une remise.
- Les bonbonnes doivent être hors de portée des enfants.

 **AVERTISSEMENT:** Si les directives de la section « Transport et entreposage » ne sont pas respectées à la lettre, il y a risque d'incendie pouvant causer des blessures graves, voire mortelles.

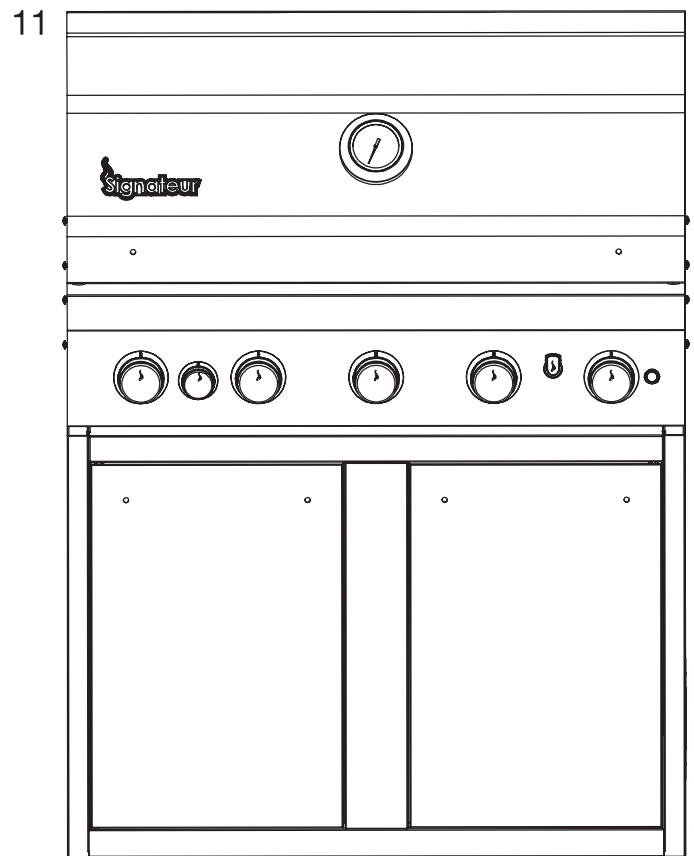
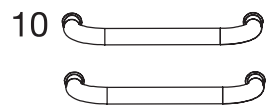
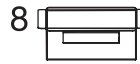
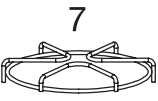
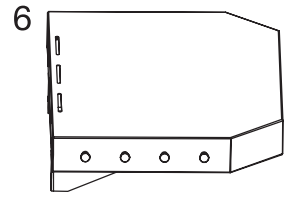
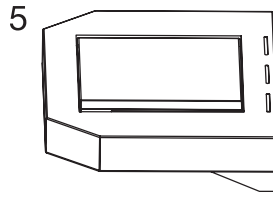
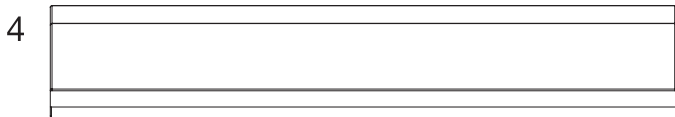
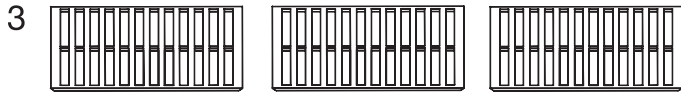
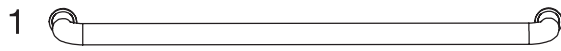
AVANT D'ENTREPOSER VOTRE BARBECUE:

- Vérifier que le robinet de la bonbonne est bien fermé.
- Nettoyer toutes les surfaces. Enduire les brûleurs d'une mince couche d'huile de cuisson pour éviter qu'ils ne rouillent trop.
- Si le barbecue est entreposé à l'intérieur, débrancher la bonbonne de propane et la laisser À L'EXTÉRIEUR.
- Remettre le bouchon antipoussière sur le robinet dès que la bonbonne n'est pas utilisée. N'utiliser que le type de bouchon fourni avec la bonbonne; tout autre type pourrait entraîner une fuite.
- Avant d'utiliser le barbecue, vérifier et nettoyer les brûleurs après un entreposage, au début de la saison ou lorsqu'il n'a pas servi depuis un certain temps. Les araignées et les insectes aiment installer leurs nids dans les conduits des brûleurs (surtout pendant les mois d'hiver). Ce genre d'obstruction peut empêcher le gaz d'atteindre les brûleurs et augmente le risque d'apparition de flammes dans les conduits ou sous le barbecue. Voir la section « Assemblage et entretien des brûleurs » sous « Entretien et nettoyage ».
- Si le barbecue est entreposé à l'extérieur, le recouvrir d'une housse pour le protéger des éléments.

DÉPANNAGE:

Problème	Cause possible	Prévention/solution
Brûleur ne s'allume pas	Soupape de la bonbonne de propane fermée	Vérifier que le régulateur est bien fixé à la bonbonne de propane puis ouvrir le robinet de cette dernière
	Bonbonne de propane vide ou presque vide	Vérifier si la bonbonne de propane est vide. Le cas échéant, la remplacer ou la remplir
	Fuite de gaz	1. Fermer le robinet de la bonbonne 2. Attendre 5 minutes pour permettre au gaz de s'évacuer 3. Suivre la procédure des « Essais d'étanchéité » du guide d'utilisation
	Écrou de raccordement et régulateur mal raccordés	Consulter la section « Raccordement de la conduite de gaz avec régulateur »
	Obstruction du gaz	1. Nettoyer le brûleur 2. Vérifier que la conduite de gaz n'est pas tordue
	Brûleur mal installé	Replacer le brûleur et la soupape. Consulter la section « Assemblage et entretien des brûleurs »
	Toiles d'araignée ou nids d'insectes dans le tube de venturi	Nettoyer le brûleur et le tube de venturi
	Orifices des brûleurs bouchés ou obstrués	Nettoyer les orifices des brûleurs
	Piles à changer	Remplacer les piles (suivre les instructions sur l'insertion des piles)
	Fils ou électrode recouverts de résidus de cuisson	Nettoyer les fils ou l'électrode avec de l'alcool à friction
	Électrode et brûleurs mouillés	Essuyer avec un chiffon
	Électrode fendue ou rompue	Remplacer l'électrode
	Fil pendant ou débranché	Rebrancher le fil ou remplacer l'électrode et le fil
	Court-circuit (étincelles) d'un fil entre l'allumeur et l'électrode	Remplacer le fil et l'électrode de l'allumeur
Allumeur défaillant	Remplacer l'allumeur	
Barbecue ne chauffe pas suffisamment	Bonbonne vide	Remplacer ou remplir la bonbonne de propane
	Dispositif de limitation de débit activé	1. Réinitialisation rapide: a. Tourner les boutons de commande en position éteinte (OFF) et fermer le robinet de la bonbonne b. Attendre une minute et rallumer le barbecue selon les « Instructions d'allumage » 2. Si les flammes sont toujours trop faibles, effectuer une réinitialisation complète: a. Tourner tous les boutons de commande en position éteinte (OFF) et fermer le robinet de la bonbonne b. Débrancher le régulateur de la bonbonne de propane c. Inspecter le joint de caoutchouc de la bonbonne de propane d. Attendre une minute e. Raccorder le régulateur et effectuer un essai d'étanchéité sur tous les raccords f. Allumer le barbecue selon les « Instructions d'allumage »
Flammes irrégulières. Flammes ne jaillissent pas de tous les orifices des brûleurs	Orifices des brûleurs bouchés ou obstrués	Nettoyer les orifices des brûleurs
Flamme jaune ou orange	Résidus d'huile sur un brûleur neuf	Faire fonctionner le barbecue pendant 15 minutes à température élevée (HIGH) avec le couvercle fermé
	Toiles d'araignée ou nids d'insectes dans le tube de venturi	Nettoyer le brûleur et le tube de venturi
	Résidus alimentaires, graisse, etc.	Nettoyer le brûleur
	Soupape et tube de venturi mal alignés	Vérifier que le tube de venturi est bien raccordé à la soupape
Éruptions de flammes	Vents forts ou rafales	Ne pas utiliser le barbecue par grands vents
	Bonbonne de propane presque vide	Remplacer ou remplir la bonbonne de propane
	Orifices des brûleurs obstrués	Consulter la section « Assemblage et entretien des brûleurs »
	Dispositif de limitation de débit déclenché	Consulter la section « Procédure de réinitialisation du régulateur »
Embrassement	Accumulation de graisse	Nettoyer toutes les pièces du barbecue selon la section « Entretien et nettoyage »
	Viande comportant trop de gras	Enlever le gras de la viande avant la cuisson
	Température de cuisson trop élevée	Baisser la température de cuisson
Feu de friture	Graisse accumulée sur les brûleurs	1. Tourner les boutons de commande en position éteinte (OFF) et fermer le robinet de la bonbonne 2. Ne pas toucher au couvercle et laisser le feu s'éteindre. Utiliser un extincteur

LISTE DES PIÈCES



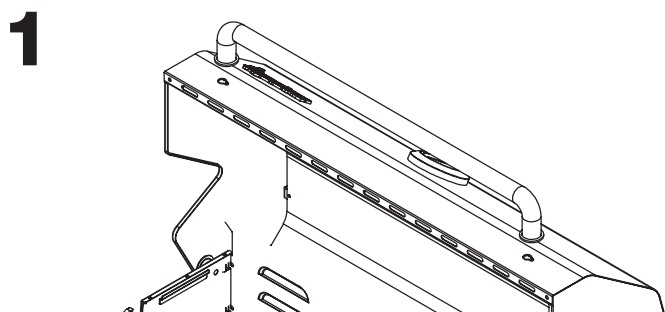
No	Description	Quantité
1	Poignée du couvercle	1
2	Grille de réchaud	1
3	Grilles de cuisson	3
4	Rabat-flammes	1
5	Brûleur latéral (côté gauche)	1
6	Plateau latéral de droite	1
7	Grille du brûleur latéral	1
8	Réceptacle à graisse	1
9	Piles AA	3
10	Poignées des portes avec entretoises de porte	2
11	Barbecue	1

INSTRUCTIONS D'ASSEMBLAGE

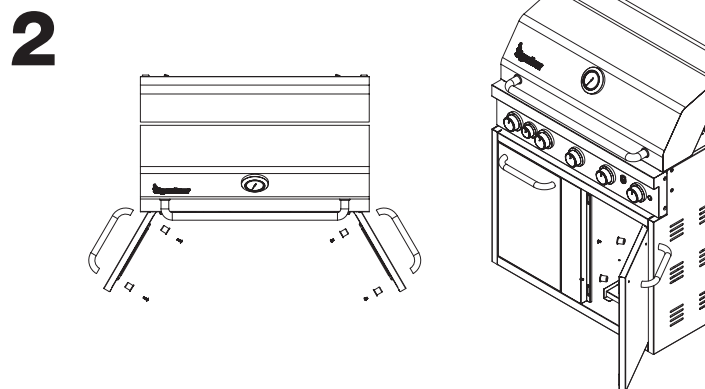
⚠ AVERTISSEMENT

CERTAINES PIÈCES PEUVENT AVOIR DES BORDS RUGUEUX. AU BESOIN, PORTER DES GANTS PROTECTEURS PENDANT L'ASSEMBLAGE.

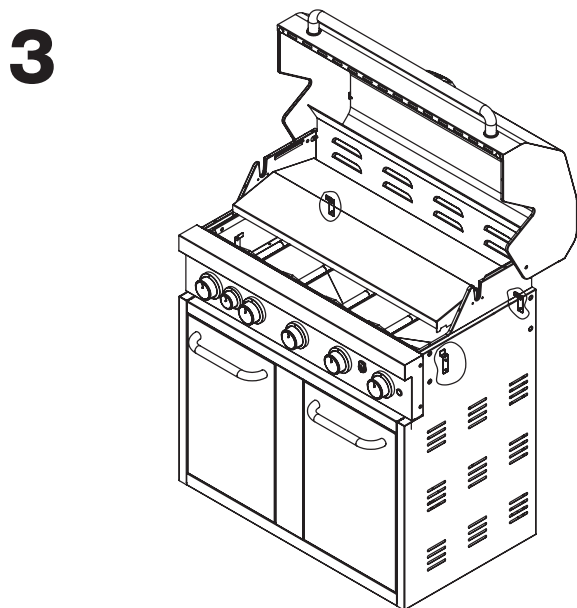
* TOURNEVIS CRUCIFORME NÉCESSAIRE POUR L'ASSEMBLAGE (NON INCLUS).



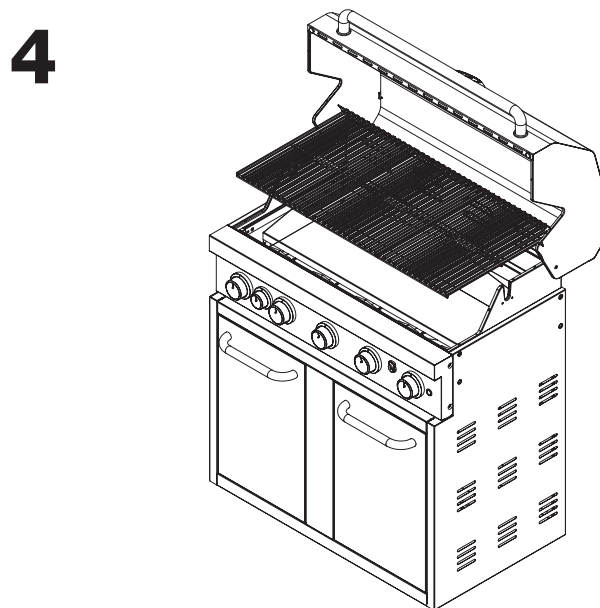
Fixez la poignée du couvercle en la faisant glisser vers la droite du gril et serrez les boulons fermement.



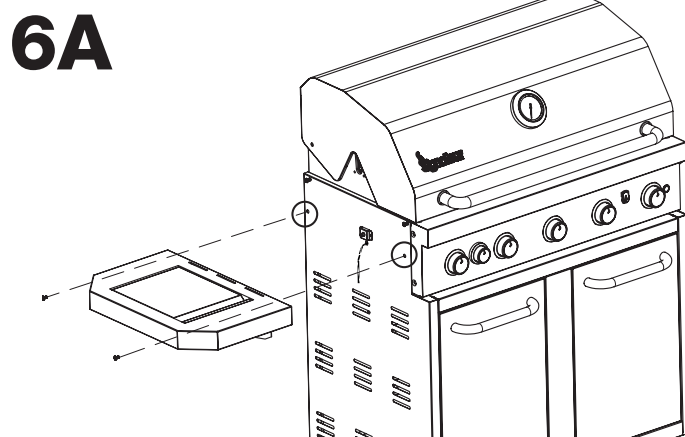
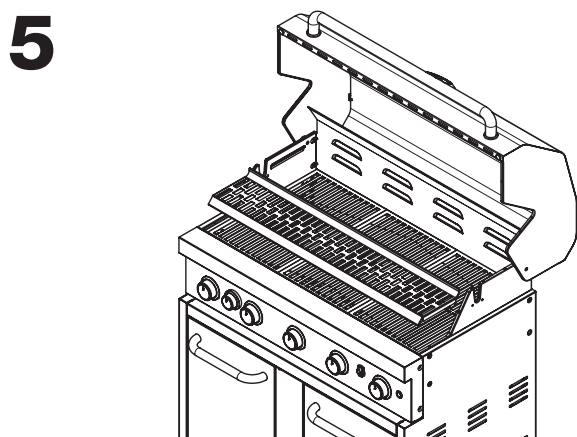
Fixer la poignée gauche sur la porte de gauche à l'aide des entretoises de porte et des vis prévues. Répéter pour assembler la porte de droite.



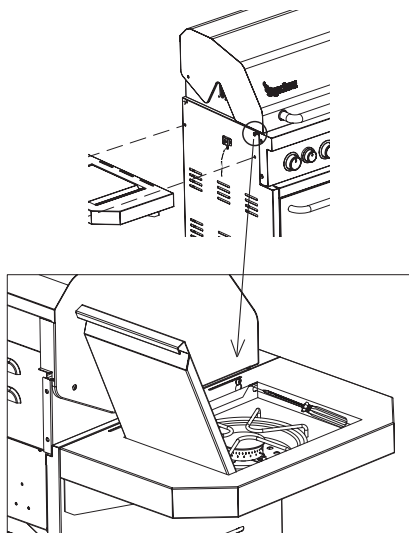
Installer le rabat-flammes.



Installer les grilles de cuisson.

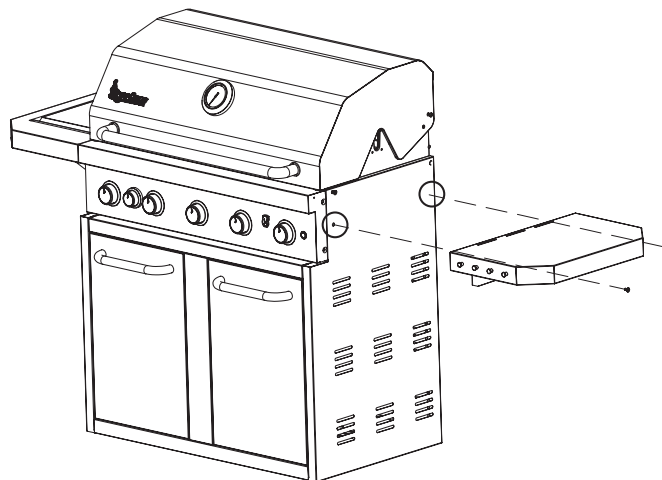


6B



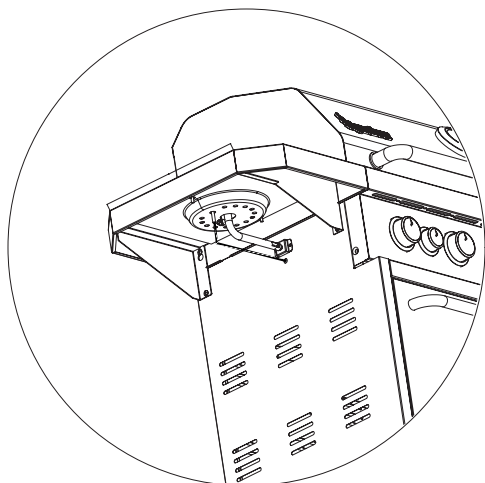
Ouvrir le couvercle du brûleur latéral et serrer la vis selon l'illustration.

7



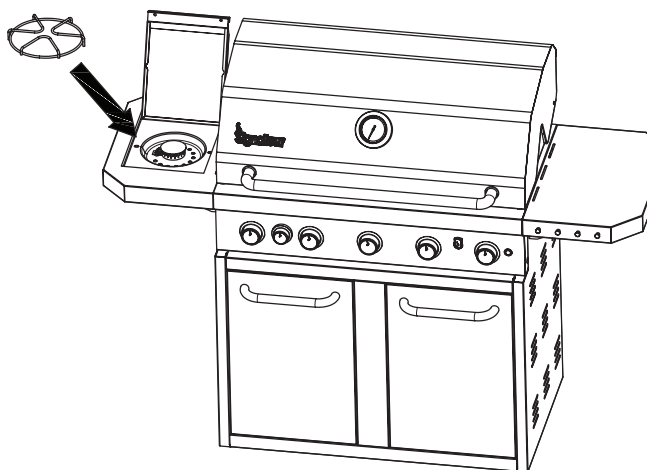
Enlever les deux vis du côté droit du barbecue, encerclées sur l'illustration. Pour fixer la tablette latérale au côté droit du barbecue, l'appuyer sur les vis et la faire glisser vers le bas, puis la visser avec les deux vis que vous venez d'enlever. Bien serrer les quatre vis.

8



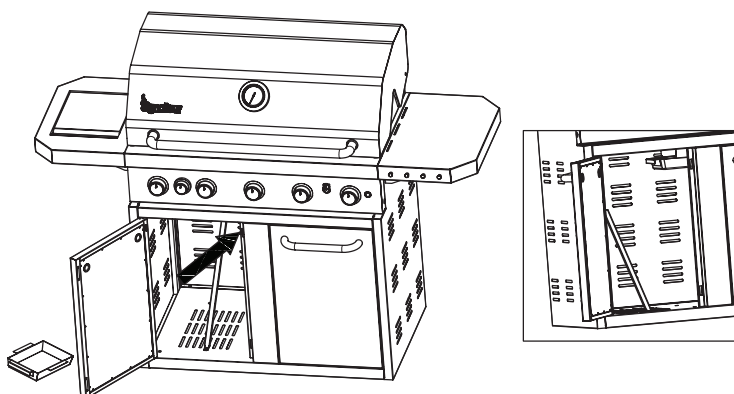
Dévisser d'abord l'écrou à oreilles qui se trouve sous le brûleur. Insérer la soupape du côté du chariot dans le tube de venturi du brûleur latéral, puis fixer solidement la buse de la soupape dans le tube de venturi. Visser l'écrou à oreilles. Fixer le fil de sortie de l'allumeur du brûleur latéral à l'électrode.

9

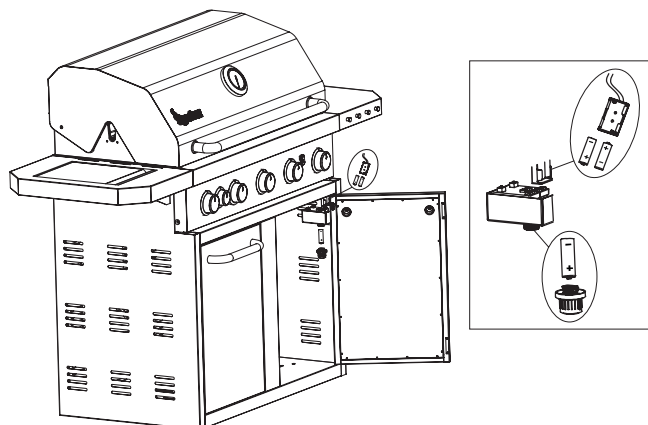


Poser la grille du brûleur latéral.

10



11



GARANTIE

GARANTIE LIMITÉE DE 5 ANS

- Chambre de cuisson
- Couvercle
- Conduits des brûleurs en acier inoxydable
- Grilles de cuisson en acier inoxydable
- Grille de réchaud

La chambre de cuisson, le couvercle, les conduits des brûleurs en acier inoxydable, les grilles de cuisson en acier inoxydable et la grille de réchaud sont garantis contre les défauts de matériaux et de fabrication pendant cinq (5) ans, y compris contre les perforations causées par la rouille ou la chaleur. La garantie exclut la corrosion de la surface, les égratignures, le ternissement et la décoloration, qui sont des phénomènes normaux.

GARANTIE LIMITÉE DE 2 ANS

Tous les autres composants du barbecue:

- Rabat-flammes
- Glissières des tiroirs
- Thermomètre
- Soupape à gaz
- Housse
- Allumeur
- Plateau à graisse
- Etc.

Tous les autres composants du barbecue, notamment le rabat-flammes, les glissières des tiroirs, le thermomètre, la soupape à gaz, la housse, l'allumeur et le plateau à graisse, sont garantis contre les défauts de matériaux et de fabrication pendant deux (2) ans à partir de la date d'achat initiale. La garantie exclut la corrosion de la surface, les égratignures, le ternissement et la décoloration, qui sont des phénomènes normaux.

RESTRICTIONS ET EXCLUSIONS

- La garantie n'est offerte qu'à l'acheteur initial et n'est pas transférable.
- La garantie ne s'applique pas et exclut la responsabilité de Signateur en cas de dommages attribuables à une utilisation contre-indiquée ou abusive, une modification, un accident, un embrasement ou une installation incorrecte ou non conforme aux instructions du présent guide.
- La garantie est limitée au remplacement des pièces défectueuses, et tous les autres coûts, y compris la main-d'œuvre, sont aux frais du propriétaire.

Il est possible d'appeler notre service à la clientèle au (800) 961-6196 (en anglais seulement) en semaine de 6 h à 14 h (heure du Pacifique) ou de lui écrire à support@signateur.com.

Pour une demande de pièce ou de réparation, fournir les renseignements suivants:

- Nom
- Adresse de livraison
- Numéro de téléphone
- Photos du produit au complet
- Photos de la pièce ou de la partie en cause
- Date d'achat et photo du reçu

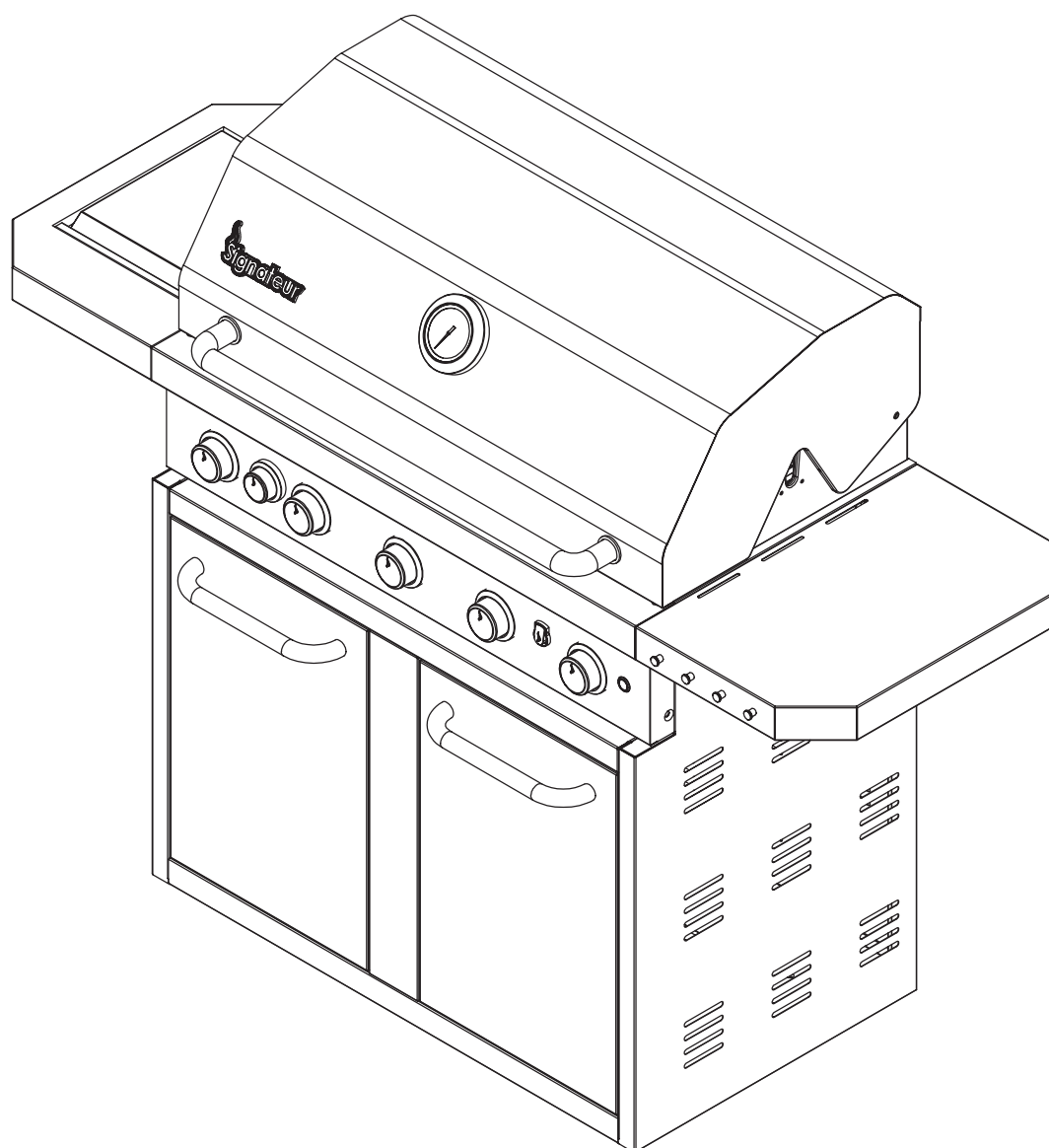
Notre personnel de soutien examinera votre demande et vous répondra dans les 24 heures. Si la pièce ou le produit est défectueux, nous le remplacerons sans frais pendant la période de garantie.

Signateur TMMC

**INSTRUCCIONES DE ENSAMBLE
Y CUIDADO**

BARBACOA DE 5 QUEMADORES

Modelo Núm. 1500111



VÁLVULA DE GAS DOBLE



¡IMPORTANTE!

CONSERVE PARA FUTURA REFERENCIA: LEA CUIDADOSAMENTE.



SEGURIDAD IMPORTANTE ADVERTENCIAS

NUESTRO DESEO ES QUE ENSAMBLE Y UTILICE SU BARBACOA EN LA FORMA MÁS SEGURA POSIBLE. EL PROPÓSITO DE ESTE SÍMBOLO DE ALERTA DE SEGURIDAD ▲ ES QUE USTED PRESTE ATENCIÓN A LOS POSIBLES PELIGROS AL ENSAMBLAR Y UTILIZAR SU BARBACOA.

¡CUANDO VEA EL SÍMBOLO DE ALERTA DE SEGURIDAD ▲ PRESTE ESPECIAL ATENCIÓN A LA INFORMACIÓN QUE SE DA A CONTINUACIÓN!

▲ LEA CUIDADOSAMENTE TODAS LAS ADVERTENCIAS DE SEGURIDAD E INSTRUCCIONES ANTES DE UTILIZAR SU BARBACOA.

▲ PELIGRO

SI USTED DETECTA OLOR A GAS:

1. Cierre el paso del gas al aparato.
2. Extinga cualquier llama abierta.
3. Abra la tapa.
4. Si persiste el olor, aléjese del aparato y llame de inmediato a su proveedor de gas o al departamento de bomberos.

NO SEGUIR ESTAS INSTRUCCIONES PODRÍA RESULTAR EN UN INCENDIO O UNA EXPLOSIÓN QUE PODRÍA CAUSAR DAÑOS A LA PROPIEDAD, LESIONES PERSONALES O LA MUERTE.

▲ ADVERTENCIA

1. No almacene o utilice gasolina u otros vapores y líquidos inflamables cerca de éste o cualquier otro electrodoméstico.
2. No obstruya el flujo de aire para combustión y ventilación.

▲ PELIGRO



- a) No almacene un cilindro de gas LP de reserva dentro o cerca de este aparato.
- b) Nunca llene el cilindro más allá del 80%.
- c) Si la información en (a) y (b) no se sigue al pie de la letra, esto podría provocar un incendio causando la muerte, o lesiones graves.

▲ ADVERTENCIA


EL IGNORAR ESTAS INSTRUCCIONES Y ADVERTENCIAS PODRÍA OCASIONAR UNA EXPLOSIÓN PELIGROSA. LEA Y SIGA TODAS LAS ADVERTENCIAS E INSTRUCCIONES DE ESTE MANUAL PARA EVITAR LESIONES PERSONALES, INCLUYENDO LA MUERTE O DAÑOS A LA PROPIEDAD.


▲ ADVERTENCIA


ESTE EQUIPO ESTÁ EQUIPADO PARA OPERAR CON GAS PROPANO QUE CONTIENE EL QUÍMICO BENCENO, CONOCIDO EN EL ESTADO DE CALIFORNIA COMO CAUSANTE DE

TABLA DE CONTENIDO:

Advertencias generales	43
Instalación y especificaciones del cilindro (tanque) de gas LP	44-45
Instalación y especificaciones del regulador y manguera	45-46
Detección de fugas	46-47
Lista de verificación preliminar al encendido	48
Instrucciones de encendido	48-49
Operación de la barbacoa	50-51
Uso de las otras funciones de la barbacoa	51
Cuidado y mantenimiento adecuado	52-53
Transporte y almacenamiento	54
Solución de problemas	55
Listado de piezas	56
Instrucciones de ensamble	57-58
Garantía	59

 **PELIGRO:** Indica una situación de peligro inminente que, de no evitarse, podría provocar la muerte o lesiones graves.

 **ADVERTENCIA:** Sea consciente de la posibilidad de lesiones serias si estas instrucciones no son seguidas.
Asegúrese de leer y seguir cuidadosamente toda la información.

 **PRECAUCIÓN:** Indica una situación de peligro potencial que, de no evitarse, podría provocar lesiones leves o moderadas.

ADVERTENCIAS GENERALES:

ADVERTENCIA

- Compruebe que no haya fugas en todas las conexiones antes del primer uso, aún si la barbacoa que compró viene totalmente ensamblada y después de llenar el tanque. Compruebe que no haya daños en el sello de goma del tanque de propano.
- Siempre revise la barbacoa y el tanque de propano antes de cada uso como se indica en las secciones de "Control de fugas" y la "Lista de verificación preliminar al encendido" de este manual.
- Las virutas de madera aromatizadas deberán estar contenidas en una caja para ahumar de metal para contener las cenizas y prevenir incendios.
- Asegúrese de que las llamas salgan de todos los orificios de los quemadores en cada uso. Las arañas y los insectos pueden llegar a construir sus nidos en los tubos del quemador. Los tubos bloqueados del quemador pueden impedir el flujo de gas a los quemadores, resultando en un incendio en el tubo o debajo de la barbacoa.
- Nunca busque fugas utilizando una cerilla o una llama abierta.
- Nunca utilice o almacene gasolina, líquido combustible, disolventes de pintura, vapores inflamables u otros líquidos o materiales inflamables dentro o cerca de su barbacoa.
- NO obstruya las áreas de ventilación en los laterales, la parte posterior o compartimiento del carro de la barbacoa.
- NO cubra las parrillas para cocción u otros componentes con papel de aluminio, ya que esto puede impedir la ventilación y dañar la barbacoa o causar lesiones personales.
- Nunca coloque más de 6,8 kg/15 lb en las mesas laterales. NO se apoye en las mesas laterales. NO levante la barbacoa usando las mesas laterales.
- Mantenga a los niños y mascotas lejos de la barbacoa caliente. NO permita que los niños utilicen o jueguen cerca de esta barbacoa.
- NO deje la barbacoa desatendida mientras esté ENCENDIDA o en uso.
- NO permita que la manguera de gas entre en contacto con superficies calientes. Redirija la manguera de gas si es necesario.
- NO permita que la grasa o gotas de líquido caliente caigan en la manguera o el ensamble del regulador. Si esto ocurre, APAGUE el suministro de gas de inmediato. Vacíe el recipiente/bandeja para la grasa y limpie la manguera y el ensamble del regulador e inspeccione para detectar daños antes de su uso.
- Nunca cocine sobre la barbacoa sin el recipiente/bandeja para la grasa en su lugar.
- Mantenga cualquier cable eléctrico lejos del agua o superficies calientes.
- NO use agua en un incendio provocado por grasa. No resultará cerrar la tapa para apagar un incendio por grasa. Utilice un extintor de polvo químico seco tipo BC o apague con tierra, arena o bicarbonato de sodio.
- NO use el aparato bajo la influencia de las drogas o el alcohol.
- PARA USO EN EXTERIORES SOLAMENTE. NO opere en un interior o en un área cerrada como un edificio, cochera, cobertizo o corredor techado.
- Coloque su barbacoa al exterior sobre una superficie plana no combustible en un lugar bien ventilado, a una distancia segura de 3,1 m/10 ft alejado de materiales combustibles, edificios y voladizos.
- Para habitantes de apartamentos: Verifique con la administración y cumpla con los requerimientos y códigos contra incendios para usar una barbacoa de gas LP en su complejo de apartamentos. Utilice solamente en exteriores y sobre el suelo (nunca en balcones, patios, cocheras, etc.) con una separación mínima de 4,6 m/15 ft en la parte posterior y los lados de cualquier pared, estructura o material combustible.
- Mantenga una distancia mínima de 91,44 cm/36 in entre la parte posterior y lateral de la barbacoa, alejados de barandales de terrazas, paredes u otros materiales combustibles. El no respetar estas distancias de separación puede impedir la ventilación adecuada y aumentar el riesgo de un incendio y daños materiales, que también podrían resultar en lesiones. NO use la barbacoa debajo de construcciones aéreas que sean combustibles.
- NO utilice o instale esta barbacoa dentro o sobre un vehículo recreativo o embarcación.
- NO instale este modelo de barbacoa en cualquier construcción para empotrado.
- Si utiliza un cepillo de cerdas para limpiar cualquiera de las superficies de cocción, asegúrese de no dejar cerdas sueltas en las superficies de cocción antes de usar ya que las cerdas podrían adherirse a la comida.
- NO almacene artículos que puedan incendiarse o dañar la barbacoa dentro del carro (como accesorios / químicos para piscina, mantelería, virutas de madera).
- La barbacoa estará caliente cuando esté en uso. Para evitar quemaduras:
 - NO intente mover la barbacoa.
 - Fije las ruedas para que la unidad no se mueva accidentalmente.
 - Use guantes protectores o guantes para hornear.
 - NO toque las superficies calientes de la barbacoa.
 - NO use ropa suelta ni permita que el cabello entre en contacto con la barbacoa.
- Cuando utilice la barbacoa a temperatura alta por largos periodos de tiempo, el panel de control y las perillas estarán anormalmente calientes al tacto.
- No para uso comercial. NO utilice esta barbacoa para otro propósito diferente del que fue diseñado.



INSTALACIÓN Y ESPECIFICACIONES DEL CILINDRO (TANQUE) DE GAS LP:

⚠ ADVERTENCIA

- ÚNICAMENTE conecte esta barbacoa a una válvula de cilindro tipo 1. Puede identificar una válvula tipo 1 ya que cuenta con grandes roscas externas en la válvula de salida.
- NO conecte a un cilindro de propano con una capacidad que exceda los 9,1 kg/20 lb.
- NO conecte a un cilindro que use cualquier otro tipo de dispositivo de conexión de válvula.
- Verifique que el sello de goma de la válvula del tanque de propano no tenga grietas, desgaste o deterioro previo a su utilización. Un sello de goma dañado puede causar una fuga de gas, dando como resultado una posible explosión, incendio o lesiones graves.
- Apague la válvula del cilindro cuando la barbacoa no esté en uso.
- Maneje el tanque con cuidado.
- Siempre asegure el cilindro en posición vertical.
- Nunca conecte un cilindro de gas LP no reglamentado a la barbacoa.
- No exponga los cilindros de gas LP a fuentes excesivas de calor o ignición.
- Permita únicamente que distribuidores de gas LP calificados llenen o reparen su cilindro.
- NO permita que el cilindro se llene más allá del 80% de su capacidad.
- Lea y siga todas las advertencias e instrucciones incluidas en el cilindro y que acompañan este producto.

⚠ PELIGRO

- NO almacene un cilindro de gas LP de reserva (lleno o vacío) dentro o cerca de la barbacoa. Esto podría provocar que el exceso de presión sea expulsado a través de la válvula de escape de vapor ocasionando un incendio, explosión o lesiones personales graves, incluso la muerte.
- El gas propano es más pesado que el aire y se acumulará en áreas bajas. Una ventilación adecuada es muy importante. Mantenga el(los) orificio(s) de ventilación del compartimento del cilindro de gas LP limpio(s) y libre(s) de obstrucciones y residuos
- NO inserte objetos extraños en la salida de la válvula del cilindro ya que podrían dañar el sello de goma. No use el tanque de propano con un sello de goma dañado. Un sello de goma dañado puede causar una fuga de gas, dando como resultado una posible una explosión, incendio o lesiones graves o la muerte. Verifique que el sello de goma no tenga grietas, desgaste o deterioro previo a su utilización.
- Siempre mantenga el cilindro (tanque) en posición vertical durante su uso, transporte o almacenamiento.

ESPECIFICACIONES DEL CILINDRO (TANQUE) DE GAS LP:

Cilindro de gas LP (no suministrado con esta barbacoa)

Un cilindro de gas LP (propano licuado) específicamente diseñado para usarse con esta barbacoa debe tener 30,5 cm/12 in de diámetro x 45,72 cm/18 in de altura y debe tener una capacidad de 9,1 kg/20 lb y tener incorporada una válvula de cilindro tipo 1 y un dispositivo de prevención de sobrellenado (OPD).

Esta barbacoa está diseñada para cualquier cilindro de 9,1 kg/20 lb disponible en el mercado. La bandeja extraíble se ajusta para cilindros de anillo inferior más pequeño.

La instalación de este aparato debe hacerse conforme a:

Todos los códigos locales, o en ausencia de códigos locales, ya sea:

- El Código Nacional de Gas Combustible de los Estados Unidos ANSI Z223.1 NFPA 54
- El Código de Instalación de Gas Natural y Propano de Canadá: CAN/CGA B149.149.1
- El Código de Instalación de Gas Natural: CAN/CGA B149.1 (Canadá)
- El Código de Instalación de Propano: CAN/CGA B149.2 (Canadá)

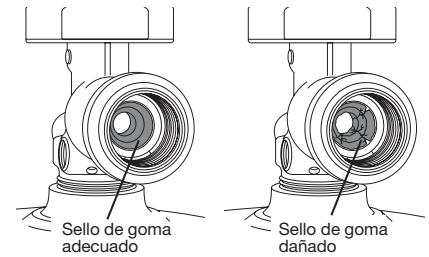
Para consultar sus códigos locales, vaya con su distribuidor de gas LP o su compañía de gas natural.

Cuando compre o cambie un cilindro para su barbacoa de gas, éste debe de estar construido y marcado de conformidad con las especificaciones para cilindros de gas propano del Departamento de Transporte de los Estados Unidos (o DOT por sus siglas en inglés), o la Norma Nacional de Canadá, CAN/CSA-B339, Cilindros, esferas y tubos para el transporte de mercaderías peligrosas; o la Comisión según corresponda; y debe contar con un dispositivo de prevención de sobrellenado (OPD) y un dispositivo conector de cilindros compatible para la conexión de aparatos de cocina para exteriores.

El cilindro también debe estar equipado con:

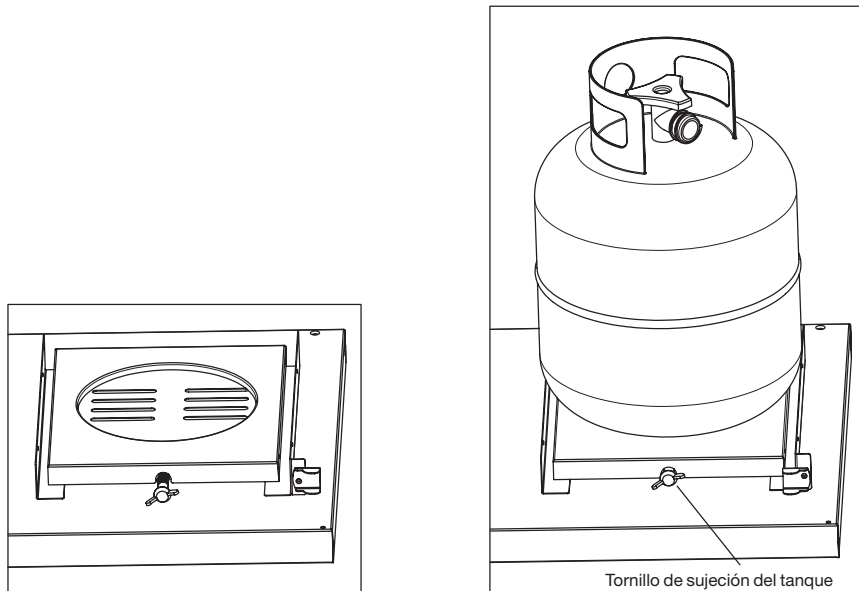
INSPECCIÓN DEL SELLO DE GOMA DEL CILINDRO (TANQUE) DE GAS LP:

- Verifique que el sello de goma de la válvula del tanque de propano no tenga grietas, desgaste o deterioro previo a su utilización. Un sello de goma dañado puede causar una fuga de gas, dando como resultado una posible una explosión, incendio o lesiones graves.
- Se debe inspeccionar cada vez que se conecta el tanque de propano a la barbacoa, si se ha llenado, cambiado o si no se ha usado por más de 60 días.
- No use el tanque de propano con un sello de goma dañado. Cambie el tanque o reemplace el sello de goma en un servicio de gas propano calificado.



INSTALACIÓN DEL CILINDRO (TANQUE) DE GAS LP EN LA BARBACOA:

1. Verifique que la válvula del cilindro esté cerrada girando la perilla en sentido horario. Verifique que el sello de goma de la válvula del cilindro no tenga grietas o deterioro. No use el tanque de propano con un sello dañado ya que podría producirse una fuga de gas.
2. Coloque el cilindro en el soporte para tanque que se encuentra en la parte inferior del gabinete.
3. Oriente el cilindro de tal forma que la abertura de la válvula esté del lado derecho de la barbacoa y la manguera no se doble o dañe.
4. Apriete el tornillo de sujeción del tanque en la parte posterior de la barbacoa para asegurar el tanque.



INSTALACIÓN Y ESPECIFICACIONES DEL REGULADOR Y LA MANGUERA:

⚠ ADVERTENCIA

- Para barbacoas de doble combustible que se puedan convertir a gas natural, se debe comprar e instalar un Kit de Conversión a Gas Natural Signateur # SCKDF-10 para usarse con gas natural.
- NO use ningún otro ensamble de regulador de presión/manguera distinto al suministrado con su barbacoa. Reemplace el ensamble de regulador de presión/manguera con la pieza de repuesto N° 1500111-0003, que puede obtenerse llamando a Servicio al Cliente al: (800) 961-6196 (inglés solamente), de lunes a viernes, de 6 am a 2 pm, hora del Pacífico, o enviando un correo electrónico a support@signateur.com.
- NO intente ajustar o reparar el regulador. El regulador está diseñado para funcionar con una presión máxima de salida de 27,94 cm/11 in de columna de agua.
- Se debe utilizar el ensamble de regulador de presión y manguera provistos con este aparato a gas para exteriores. Los ensambles de manguera y reguladores de presión de repuesto deben ser los especificados por el fabricante del aparato de cocción a gas para exteriores.
- Asegúrese de que la válvula del tanque esté CERRADA antes de conectar el cilindro de gas LP a su barbacoa. Gire la perilla de la válvula en sentido horario para cerrar adecuadamente la válvula. Lea y siga todas las instrucciones y advertencias de las etiquetas en la manguera de suministro. Lea y siga todas las advertencias de este manual sobre el uso seguro de cilindros de gas LP, la manguera y el regulador antes de conectar el cilindro a la barbacoa. Lea y siga todas las advertencias en el cilindro de gas LP.

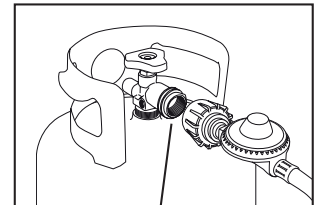
MANGUERA Y REGULADOR:

Su barbacoa está equipada con un dispositivo de conexión tipo 1 con las siguientes características:

1. El sistema no permitirá el flujo de gas desde el cilindro hasta que haya una conexión positiva a la válvula.
NOTA: La válvula del cilindro y todas las perillas del quemador deben estar en la posición de apagado (OFF) antes de realizar o quitar cualquier conexión.
2. Cuando se activa un dispositivo limitador de flujo del regulador, el flujo de gas se restringe a 0,28 metros cúbicos / 10 pies cúbicos por hora. Si el dispositivo limitador de flujo está activado, realice el procedimiento de reajuste del regulador.
NOTA: Si la barbacoa no está lo suficientemente caliente para cocinar, puede ser que el dispositivo limitador de flujo haya sido activado.

CONEXIÓN DE LA MANGUERA Y REGULADOR:

1. Verifique que el sello de goma de la válvula del tanque de propano no tenga grietas, desgaste o deterioro previo a su utilización. Un sello de goma dañado puede causar una fuga de gas, dando como resultado una posible una explosión, incendio o lesiones graves. No use el tanque de propano con un sello de goma dañado.
2. Conecte o desconecte el regulador al cilindro de gas LP únicamente cuando el cilindro esté asentado en el soporte para tanque.
3. Verifique que la válvula del cilindro esté cerrada girando la perilla en sentido horario.
4. Verifique que las perillas de control de los quemadores de la barbacoa estén en las posición de APAGADO (OFF).
5. Inspeccione visualmente el ensamble de la manguera antes de cada uso para verificar que no haya daños, desgaste excesivo o deterioro. Si encuentra alguno, reemplace el ensamble antes de utilizar su barbacoa. Únicamente deberá usarse un repuesto suministrado por el fabricante.
6. Retire la tapa protectora de plástico de la válvula del cilindro.
7. Compruebe que la manguera no tenga torceduras, que no esté en contacto con bordes afilados o superficies que puedan calentarse durante el uso.
8. Sujete el regulador e inserte la boquilla de latón en la salida de la válvula del cilindro LP. Asegúrese de que el dispositivo esté centrado correctamente.
9. Gire en sentido horario la tuerca de acoplamiento grande con la mano y apriete hasta el tope. Tenga cuidado de roscar adecuadamente la tuerca de acoplamiento en el cilindro de la válvula. No utilice herramientas para apretar la conexión. Nota: Si no ha sido capaz de realizar la conexión, repita los pasos 7 y 8.
10. Verifique que no haya fugas en todas las conexiones antes de encender su barbacoa.
Consulte la sección de "Detección de fugas" de este manual.
Nota: Para quitar el regulador del tanque de propano, cierre la válvula del tanque y gire la tuerca de acoplamiento grande en sentido antihorario y retire.



Inspeccione el sello de goma

PROCEDIMIENTO DE REAJUSTE DEL REGULADOR:

Si la barbacoa no está lo suficientemente caliente para cocinar, puede ser que el dispositivo limitador de flujo haya sido activado.

Mini Reajuste:

Gire TODAS las perillas de control de los quemadores a APAGADO (OFF), cierre la válvula del cilindro. Espere diez minutos. Gire lentamente la válvula del cilindro para abrir (ON) y vuelva a encender la barbacoa. Si la llama del quemador está alta y la barbacoa caliente correctamente, proceda a cocinar.

Reajuste completo:

Gire TODAS las perillas de control de los quemadores a APAGADO (OFF), cierre la válvula del cilindro. Desconecte la manguera y el regulador del cilindro. Espere dos minutos, vuelva a colocar la manguera y el regulador y realice una prueba para detectar fugas.

DETECCIÓN DE FUGAS:

⚠ ADVERTENCIA

- Nunca use la barbacoa sin realizar una prueba de detección de fugas en todas las conexiones de gas, mangueras y tanque de gas propano. Consulte la sección de "Detección de fugas" de este manual para seguir los procedimientos adecuados.

⚠ PELIGRO

Para evitar el riesgo de incendio o explosión:

CUÁNDO REALIZAR UNA PRUEBA DE FUGA:

- Después de ensamblar su barbacoa y antes de encenderla por primera vez, aún cuando la haya comprado totalmente ensamblada.
- Cada vez que vuelva a llenar el cilindro de gas LP, si lo ha cambiado o si alguno de los componentes de gas se desconecta o reemplaza.
- Cada vez que la barbacoa se haya movido.
- Al menos una vez al año o si la barbacoa no se ha utilizado por más de 60 días.

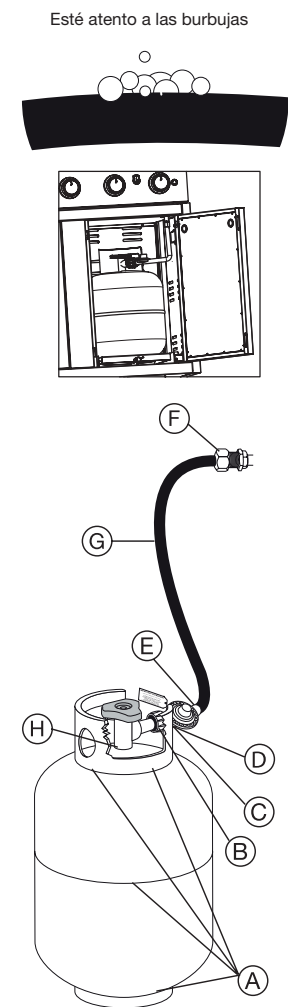
DETECCIÓN DE FUGAS:

⚠ PRECAUCIÓN: Los olores fuertes, resfriados, congestión nasal, etc. pueden impedir la detección del olor de gas propano. Sea precavido y utilice el sentido común cuando verifique que no haya fugas.

Nota: La prueba de detección debe realizarse en una zona que tenga una iluminación adecuada para ver si las burbujas se están formando y nunca en una zona ventosa o ruidosa para poder detectar fugas más grandes mediante el olor o sonido.

1. Cree una mezcla de 50% agua y 50% de jabón líquido para lavar platos.
2. Abra la tapa.
3. Asegúrese que las perillas de control estén en la posición de APAGADO (OFF).
4. Abra el gas en la válvula del cilindro. Gire la válvula del cilindro en sentido antihorario para abrir por completo. Si escucha un sonido de ráfaga o huele a gas, cierre el suministro de gas. Apriete cualquier conexión con fuga. Si detecta alguna fuga en la tuerca de conexión y el apretar la conexión no detiene la fuga, verifique el sello de goma en el tanque de propano.
5. Aplique la mezcla de agua jabonosa a lo siguiente:
 - (A) Soldadura del tanque (cilindro) de suministro.
 - (B) Tuerca de conexión a la válvula del tanque.
 - (C) Parte posterior de la tuerca de conexión a la boquilla de latón.
 - (D) Conexión de la boquilla de latón en el regulador.
 - (E) Conexiones del regulador a las mangueras de suministro de gas.
 - (F) Conexión de la manguera al distribuidor de gas.
 - (G) Toda la longitud de la manguera de suministro de gas.
 - (H) Válvula del cilindro.
6. Compruebe cada cosa listada (A-H) en busca de burbujas, lo que puede indicar una fuga. Las fugas grandes no pueden ser detectadas mediante burbujas pero deben producir un sonido de ráfaga u olor a gas.
7. Apague el suministro de gas en la válvula del cilindro.
8. Gire las perillas de control para liberar la presión del gas en la manguera.
9. Gire las perillas de control a la posición de APAGADO (OFF).
10. Apriete cualquier conexión con fuga. Si detecta alguna fuga en la tuerca de conexión y el apretar la conexión no detiene la fuga, vuelva a verificar el sello de goma en el tanque de propano (vea la página 66).
11. Repita la prueba con agua y jabón hasta que no se detecten fugas.
12. Cierre el suministro de gas en la válvula del cilindro hasta que esté listo para usar la barbacoa.
13. Retire los residuos jabón con agua fría y una toalla seca.
14. Espere 5 minutos para permitir que todos los gases se disipen antes de encender la barbacoa.

⚠ ADVERTENCIA: NO use la barbacoa si no puede detener las fugas. Póngase en contacto con un servicio de reparación calificado del aparato de gas.



LISTA DE VERIFICACIÓN PRELIMINAR AL ENCENDIDO:

⚠ PELIGRO

El no seguir estos pasos de seguridad podría causar daños a la propiedad, lesiones corporales, quemaduras graves y la muerte. Se deben seguir estos pasos después de que la barbacoa se haya ensamblado y antes de cada uso. NO use esta barbacoa hasta que usted haya leído y entendido TODAS las advertencias e instrucciones en este manual.

- Asegúrese de que la barbacoa esté armada correctamente.
- Verifique que la manguera del suministro de gas no tenga quemaduras, rozaduras, dobleces y verifique la conexión correcta antes de cada uso. Si existe evidencia de abrasión excesiva o desgaste, o si la manguera está rota, debe reemplazarse antes de usar la barbacoa. Reemplace con una manguera y un regulador Modelo Núm. 1500111-0003, el cual puede ser obtenido llamando a Servicio al Cliente al: (800) 961-6196 (inglés solamente), de lunes a viernes, de 6 am a 2 pm, hora del Pacífico, o enviando un correo electrónico a support@signateur.com
- Coloque correctamente el recipiente vacío para la grasa bajo el orificio de drenaje en la parte inferior de la barbacoa para recoger toda la grasa durante el uso.
- NO obstruya las áreas de ventilación en los laterales, la parte posterior o el compartimento del carro de la barbacoa.

INSTRUCCIONES DE ENCENDIDO DE GAS:

⚠ ADVERTENCIA

Lea, comprenda y siga todas las advertencias e instrucciones contenidas en este manual. NO omita ninguna de las advertencias e instrucciones contenidas en las secciones anteriores de este manual.

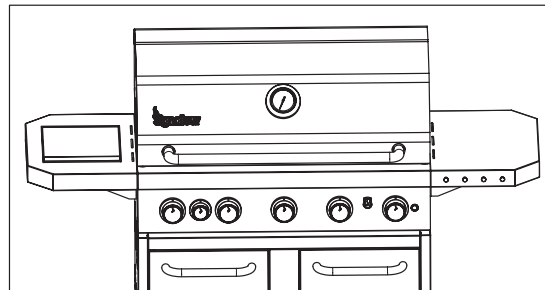
Siga exactamente las instrucciones.

1. **ABRA LA TAPA DE LA BARBACOA** antes de encender el quemador para que no se acumulen vapores dentro de la barbacoa.
Podría ocurrir una explosión si la tapa de la barbacoa está cerrada.
2. Verifique que todas las perillas de control del quemador y la válvula del cilindro estén en la posición de APAGADO (OFF).
3. Encienda el suministro de combustible girando lentamente la perilla de la válvula del cilindro en sentido antihorario hasta que esté totalmente abierta.
4. NO coloque su cabeza, cuerpo o brazos sobre la barbacoa cuando la encienda.

ENCENDIDO DE LOS QUEMADORES PRINCIPALES:

1. Abra la tapa antes de encender el quemador.
2. Asegúrese que las perillas de control estén en la posición de APAGADO (OFF).
3. Seleccione el quemador más a la izquierda primero para ser encendido. Presione y gire la perilla de control de ese quemador al Posición alta.
4. Oprima el encendedor electrónico y manténgalo oprimido durante 3 a 5 segundos para encender el quemador.
5. Si NO se enciende en 5 segundos, gire la perilla de control a APAGADO (OFF), espere 5 minutos para que el gas se disipe y repita el procedimiento de encendido.
6. Repita los pasos 3 a 5 para encender cada quemador. Siempre use el encendedor electrónico para encender cada quemador. Si el quemador no enciende mediante el botón de encendido, consulte la sección de Encendido del Quemador Principal con Fósforos en el manual de propietario.
7. Para apagar, gire cada perilla de control hacia la derecha hasta fijarse en la posición de APAGADO (OFF). Esto no cierra el flujo de gas del cilindro.

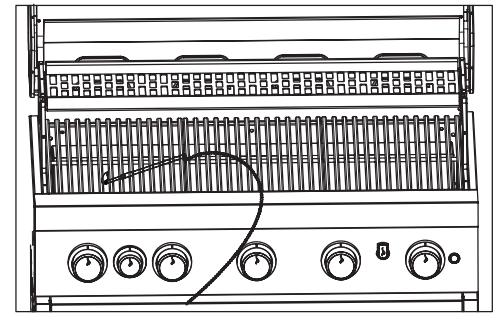
Nota: Si el quemador no se enciende o la llama es demasiado baja, consulte la sección de "Solución de problemas" del manual del propietario.



ENCENDIDO DE LOS QUEMADORES PRINCIPALES CON FÓSFOROS:

1. Abra la tapa antes de encender el quemador.
2. Asegúrese que las perillas de control estén en la posición de APAGADO (OFF).
3. Coloque una cerilla de papel en el extremo del encendedor de cerillas. Encienda la cerilla y colóquela en la parrilla aproximadamente a 1,57 cm/1/2 in del quemador para encenderlo.
4. Oprima y gire la perilla de control del quemador a la posición ALTA (HIGH). El quemador debe encenderse en 5 segundos.
5. Si el quemador no enciende, gire la perilla de control a APAGADO (OFF) y espere 5 minutos para que se disipe el gas y repita el procedimiento de encendido.
6. Una vez encendido, encienda los quemadores adyacentes siguiendo los pasos 3 a 6.
7. Si el quemador no enciende dentro de los primeros intentos con una cerilla, entonces existe un problema con el suministro de gas. Cierre el gas en el quemador y el cilindro. NO trate de operar la barbacoa hasta que se haya encontrado y corregido el problema.

Nota: Si el quemador no se enciende o la llama es demasiado baja, consulte la sección de "Solución de problemas" del manual del propietario.

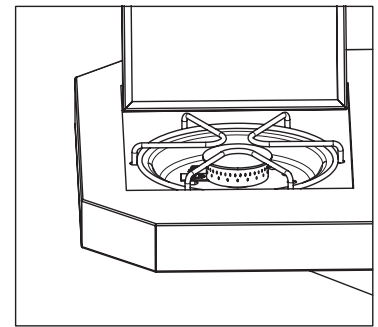


Encendedor de cerillas

ENCENDIDO DE LOS QUEMADORES LATERALES:

1. Abra la tapa antes de encender el quemador lateral.
2. Asegúrese que las perillas de control estén en la posición de APAGADO (OFF).
3. Oprima y gire la perilla de control del quemador lateral a la posición ALTA (HIGH).
4. Oprima el encendedor electrónico en el panel de control principal y manténgalo oprimido durante 3 a 5 segundos para encender el quemador.
5. Si NO se enciende en 5 segundos, gire la perilla de control a APAGADO (OFF), espere 5 minutos para que el gas se disipe y repita el procedimiento de encendido.

Nota: Si el quemador no se enciende o la llama es demasiado baja, consulte la sección de "Solución de problemas" del manual del propietario.



ENCENDIDO DE LOS QUEMADORES LATERALES CON FÓSFOROS:

1. Abra la tapa del quemador lateral antes de encenderlo.
2. Gire la perilla de control del quemador a la posición de APAGADO (OFF).
3. Coloque una cerilla de papel en el extremo del encendedor de cerillas.
4. Encienda la cerilla y manténgala aproximadamente a 1.57 cm/0.61 in del quemador.
5. Gire la perilla de control del quemador lateral a la posición ALTA (HIGH). El quemador debe encenderse en 5 segundos.
6. Si el quemador no enciende, gire la perilla de control a APAGADO (OFF) y espere 5 minutos para que se disipe el gas y repita el procedimiento de encendido.
7. Si el quemador no enciende dentro de los primeros intentos con una cerilla, entonces existe un problema con el suministro de gas. Cierre el gas en el quemador y el cilindro. NO trate de operar la barbacoa hasta que se haya encontrado y corregido el problema.

Nota: Si el quemador no se enciende o la llama es demasiado baja, consulte la sección de "Solución de problemas" del manual del propietario.

Nota: Observe la altura de la llama cuando esté encendida: La llama debe ser de color azul/amarillo y medir entre 2,54 cm a 5,08 cm/1 a 2 in cuando el quemador esté en ALTA (HIGH).



OPERACIÓN DE LA BARBACOA:

⚠ ADVERTENCIA

- Lea y siga todas las advertencias e instrucciones contenidas en las secciones anteriores de este manual.
- Las virutas de madera aromatizadas deberán estar contenidas en una caja para ahumar de metal para contener las cenizas y prevenir incendios.
- NO cubra las parrillas para cocción u otros componentes con papel de aluminio, ya que esto puede impedir la ventilación y dañar la barbacoa o causar lesiones personales.
- NO deje la barbacoa desatendida mientras esté ENCENDIDA o en uso.
- NO mueva la barbacoa cuando esté en uso.
- NO use agua en un incendio provocado por grasa. No resultará cerrar la tapa para apagar un incendio por grasa. Utilice un extintor de polvo químico seco tipo BC o apague con tierra, arena o bicarbonato de sodio.
- Nunca cocine en la barbacoa sin el recipiente/bandeja para la grasa en su lugar.

PREPARACIÓN DE LA BARBACOA:

- Durante la fabricación y preservación de los componentes de su barbacoa, se pueden encontrar residuos de aceite en los quemadores y las superficies de cocción de su barbacoa.
- Antes de cocinar por primera vez en su barbacoa, precaliéntela durante 15 minutos en la posición ALTA (HIGH) para quemar todos los residuos de aceite.

PARA PRECALENTAR LA BARBACOA:

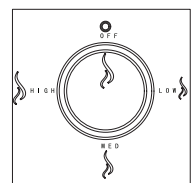
- Antes de cada uso, se recomienda precalentar la barbacoa. Esto asegura que las superficies de cocción estén a la temperatura deseada para dorar los azúcares de la comida cuando se cocine. Después de encender su barbacoa, ajuste las perillas de control del quemador principal a la posición ALTA (HIGH) de 5 a 10 minutos. Cierre la tapa durante el tiempo de precalentamiento.

CONTROL DE INCENDIOS POR LLAMARADAS/GRASA:

- Las llamaradas suelen presentarse al cocinar carnes en una barbacoa de gas. Esto añade el sabor único de cocinar en una barbacoa de gas. Tenga cuidado al abrir la tapa ya que podrían presentarse llamaradas repentinas. Las llamaradas excesivas pueden cocer demasiado los alimentos y producir situaciones peligrosas para usted y su barbacoa. Las llamaradas excesivas son el resultado de la acumulación de grasa en la barbacoa. Si esto llegara a ocurrir, NO vierta agua sobre las llamas. Esto puede ocasionar que la grasa salpique y cause quemaduras graves o lesiones corporales.
- En caso de producirse un incendio provocado por grasa mientras la tapa esté abierta, deje la tapa abierta, gire las perillas de los quemadores a APAGADO (OFF), y cierre la válvula del cilindro de gas LP. Si es posible, traslade los alimentos a una sección diferente de la parrilla de cocción y deje que la grasa se queme o sofoque las llamas con bicarbonato de sodio.
- Si se presenta un incendio provocado por grasa mientras la tapa está cerrada, deje la tapa cerrada ya que una repentina ráfaga de aire podría aumentar las llamas. Gire las perillas del quemador a la posición de APAGADO (OFF), cierre la válvula del cilindro de gas LP. Permita que la grasa se queme.
- Nunca vierta agua sobre un fuego provocado por grasa ya que la grasa puede salpicar o esparcirse ocasionando lesiones corporales o daños a la propiedad.
- En caso de que el fuego no se extinga rápidamente o si éste crece o se expande, utilice un extintor de polvo químico seco tipo BC o sofoque el fuego con tierra, arena o bicarbonato de sodio. No resultará cerrar la tapa para apagar un incendio por grasa.

PARA REDUCIR LAS LLAMARADAS:

- Retire el exceso de grasa de la carne antes de cocinarla.
- Cocine la carne con alto contenido de grasa (pollo o cerdo) de forma indirecta bajo la configuración más baja.
- Asegúrese de que su barbacoa esté al nivel del suelo y que la grasa pueda salir de la barbacoa a través del orificio de drenaje en la parte inferior y hacia el recipiente / bandeja para la grasa.
- Limpie frecuentemente su barbacoa para minimizar la grasa acumulada.



PARA APAGAR LA BARBACOA:

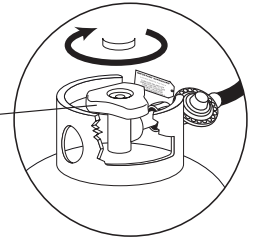
1. Cierre la válvula del cilindro.
2. Gire todas las perillas de control del quemador a la posición de APAGADO (OFF).

Nota: Desconecte el cilindro de gas LP para evitar que el gas se quede en el sistema bajo presión.

⚠ PRECAUCIÓN::

- La válvula del cilindro debe estar siempre en la posición de apagado, o cerrada, cuando la barbacoa no esté en uso.

Para cerrar la válvula del cilindro, gire la perilla en sentido horario hasta que se detenga.



USO DE LAS OTRAS FUNCIONES DE LA BARBACOA:

⚠ ADVERTENCIA

- Lea las instrucciones para encender el quemador lateral de la barbacoa.
- Nunca cierre la cubierta del quemador lateral cuando esté encendido.
- Cuando cocine en el quemador lateral, utilice una olla de 25,4 cm/10 in de diámetro o más pequeña que no tenga un mango largo. Coloque la olla en el centro del quemador.
- Nunca coloque más de 6,8 kg/15 lb en las mesas laterales. El quemador lateral no está construido para soportar un peso superior a los 6,8 kilogramos.
- Tenga cuidado para evitar golpear la barbacoa, el quemador lateral o una olla, previniendo un posible derrame del contenido que pudiera ocasionar quemaduras graves.
- NO use el quemador lateral para freír en aceite y así evitar el riesgo de que el aceite se incendie creando una situación muy peligrosa.

QUEMADOR LATERAL:

- El quemador lateral puede usarse para preparar platillos como frijoles, papas, maíz o para calentar salsas.
- La válvula del quemador puede ajustarse de alta a baja dependiendo de sus necesidades de cocción.

CUIDADO Y MANTENIMIENTO ADECUADO:

⚠ ADVERTENCIA: Si utiliza un cepillo de cerdas para limpiar cualquiera de las superficies de cocción, asegúrese de no dejar cerdas sueltas en las superficies de cocción antes de usar, ya que las cerdas podrían adherirse a la comida.

LIMPIEZA DEL INTERIOR DE LA BARBACOA:

- Recomendamos limpiar los residuos de comida inmediatamente después de cocinar frotando suavemente las parrillas con un cepillo y después girando los quemadores a la posición ALTA (HIGH) durante aproximadamente 5 minutos.
- Es necesario limpiar la barbacoa después de cada uso.

⚠ ADVERTENCIA: NO deje la barbacoa desatendida mientras esté encendida. Use guantes para protegerse de quemaduras.

- El calor proveniente de los quemadores puede quemar la mayoría de los residuos de alimentos o grasa de las parrillas y accesorios, convirtiéndolos en sustancias parecidas a las cenizas, las cuales caerán hasta el fondo de la bandeja para la grasa o la cámara de combustión. Después de que la barbacoa se enfríe (aproximadamente 30 minutos) retire las parrillas y el supresor de llama y cepille las cenizas y cualquier residuo de grasa fuera de la cámara de combustión. Limpie y reemplace el recipiente para la grasa. Verifique que el supresor de llama no esté dañado o deteriorado antes de reinstalarlo en la barbacoa. (Las piezas de recambio, pueden solicitarse llamando a Servicio al Cliente al: (800) 961-6196 (inglés solamente), de lunes a viernes, de 6 am a 2 pm, hora del Pacífico, o enviando un correo electrónico a support@signateur.com

⚠ PRECAUCIÓN: NO permita que los residuos de cenizas permanezcan en la bandeja para grasa o la cámara de combustión ya que podrían impedir el drenaje adecuado de la grasa en la barbacoa.

INTERIOR DE LA TAPA DE LA BARBACOA:

- El humo se acumulará dentro de la tapa de la barbacoa pudiendo llegar a su comida. Limpie el interior de la tapa de la barbacoa usando un cepillo con una solución de agua y bicarbonato de sodio. Seque por completo. No confunda esto con pintura. El interior de las tapas de la barbacoa de gas no está pintado.

MANTENIMIENTO EXTERIOR DE LA BARBACOA:

- Para proteger su barbacoa contra la oxidación excesiva, la unidad debe estar limpia y cubierta en todo momento cuando no esté en uso.
- Superficies pintadas. Lave con detergente suave o no-abrasivo y agua tibia.
- Superficies de acero inoxidable. Para mantener el aspecto de la barbacoa, lave con detergente suave y agua tibia jabonosa, seque con un paño suave después de cada uso. Pula con un limpiador de acero inoxidable en la dirección de la vetas hasta que quede brillante. Los depósitos de grasa quemada pueden requerir el uso de una fibra de limpieza abrasiva de plástico. Use únicamente en dirección del cepillado del acabado para evitar daños. No use fibras abrasivas en las zonas con gráficos. La cera para autos puede ayudar a proteger el acabado exterior de la barbacoa.
- Piezas de plástico y caucho. Lave con agua tibia jabonosa y seque. No use citrisol, limpiadores abrasivos, desengrasantes o limpiadores concentrados en las piezas de plástico. Pueden ocasionar daños y la falla de las piezas.

OXIDACIÓN:

- Puede presentarse decoloración, manchas de óxido y corrosión como resultado de altas temperaturas de cocción, salsas ácidas, fuego provocado por grasa y la exposición a climas húmedos u otros elementos naturales.
- Las manchas de óxido en la superficie interior pueden pulirse, limpiarse y luego cubrir ligeramente con aceite o aerosol vegetal para minimizar la oxidación.
- Nunca utilice limpiadores que contengan cloro o almacene accesorios o químicos para piscina o en el compartimiento del carro ya que el cloro favorece la oxidación.

MANTENIMIENTO Y LIMPIEZA DE QUEMADORES:

- El aparato debe mantenerse limpio y libre de materiales combustibles, gasolina y otros vapores y líquidos inflamables.
- Mantenga despejadas y libres de residuos las aberturas de ventilación en el compartimiento para el cilindro.
- Revise las llamas del quemador para un funcionamiento correcto (vea la ilustración de "Ensamble y mantenimiento del quemador" en la sección de Cuidado y mantenimiento adecuado. Las arañas y otros insectos pueden anidar en el quemador bloqueando el paso de gas.

ENSAMBLE Y MANTENIMIENTO DEL QUEMADOR:

- Aunque los quemadores estén fabricados en acero inoxidable, pueden corroerse debido al calor extremo y los ácidos de los alimentos. Revise periódicamente los quemadores en busca de grietas, orificios anormales y otros signos de daños por corrosión. Si encuentra alguno, reemplace el quemador.
- NO obstruya las áreas de ventilación en los laterales, la parte posterior o compartimiento del carro de la barbacoa. Los tubos del quemador pueden bloquearse por la presencia de arañas e insectos que anidan ahí. Los tubos bloqueados del quemador pueden impedir el flujo de gas a los quemadores, resultando en un incendio en el tubo o debajo de la barbacoa. Para limpiar el Ensemble del quemador siga estas instrucciones para limpiar y/o reemplazar partes del quemador o si usted tiene dificultad para encender su barbacoa.

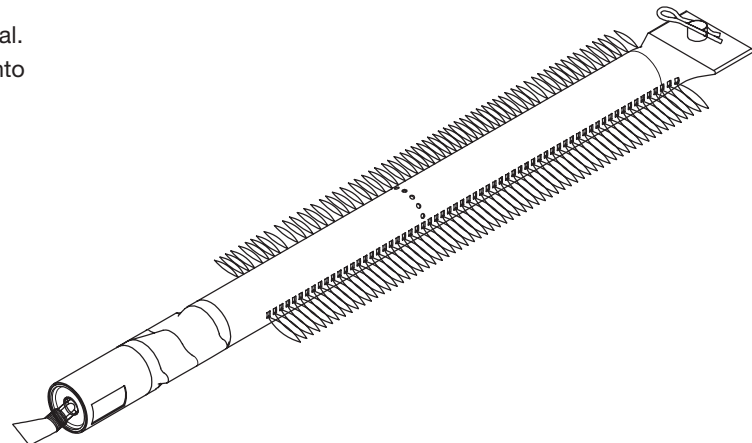
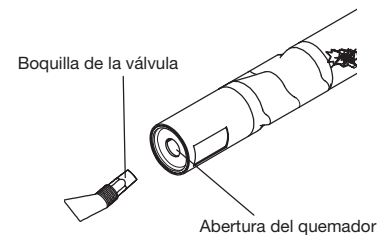
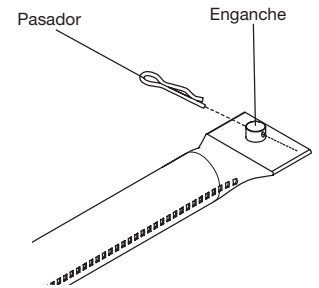
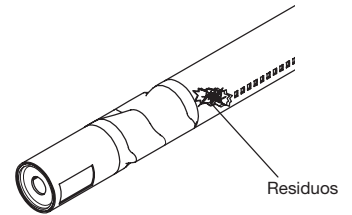
1. Cierre el gas en las perillas de control y la válvula del tanque de gas LP.
2. Retire las parrillas de cocción y el limitador de llama.
3. Quite el pasador de enganche de cada quemador.
4. Levante cuidadosamente cada quemador y retírelo de las aberturas de la válvula.
5. Use un cepillo angosto para botellas o un alambre rígido doblado para hacer un gancho pequeño e insértelo a través de cada tubo del quemador o utilice aire comprimido para soplar en el tubo del quemador y hacia afuera de los puertos de llamas. Compruebe cada puerto para asegurarse de que el aire salga de cada orificio.

⚠ PRECAUCIÓN: Use protección ocular al utilizar aire comprimido.

6. Use un cepillo de alambre para limpiar toda la superficie exterior del quemador para eliminar la suciedad y los residuos de comida.
7. Verifique que el quemador no tenga daños, si encuentra alguna grieta o agujero, reemplace el quemador.
8. Instale el quemador en la barbacoa, oriente los quemadores correctamente.

IMPORTANT: La abertura del quemador debe deslizarse sobre la boquilla de la válvula.

9. Vuelva a colocar los pasadores de enganche en cada quemador.
Nota: Siga la sección "Detección de fugas de gas" de este manual.
Vuelva a encender los quemadores para verificar el funcionamiento adecuado.
10. Vuelva a colocar el limitador de llama y las parrillas de cocción.



ALINEACIÓN ADECUADA DE LA VÁLVULA AL QUEMADOR

Nota: La altura normal de la llama es de 2,54 cm - 5,08 cm/1 - 2 in

TRANSPORTE Y ALMACENAMIENTO:

⚠ ADVERTENCIA

- Nunca mueva una barbacoa cuando esté caliente o en uso.
- Asegúrese de que la válvula del cilindro esté cerrada y que las perillas de los quemadores estén en la posición de apagado (off).
- NO almacene un cilindro de gas LP de reserva (lleno o vacío) dentro o cerca de la barbacoa.
- No almacene líquidos inflamables o frascos de aerosol debajo o cerca de la barbacoa.
- Si este aparato a gas para exteriores no está en uso, debe cerrarse el paso de gas desde el cilindro de suministro de gas LP.
- Se permite almacenar en exteriores este aparato a gas únicamente si el cilindro de gas está desconectado y retirado del aparato a gas para exteriores.
- Los cilindros no deben guardarse en un edificio o recinto, incluyendo garajes y cobertizos.
- Los cilindros deben mantenerse fuera del alcance de los niños.

⚠ ADVERTENCIA: Si la información en la sección de "TRANSPORTE Y ALMACENAMIENTO" no se sigue al pie de la letra, esto podría provocar un incendio, causando la muerte, o lesiones graves.

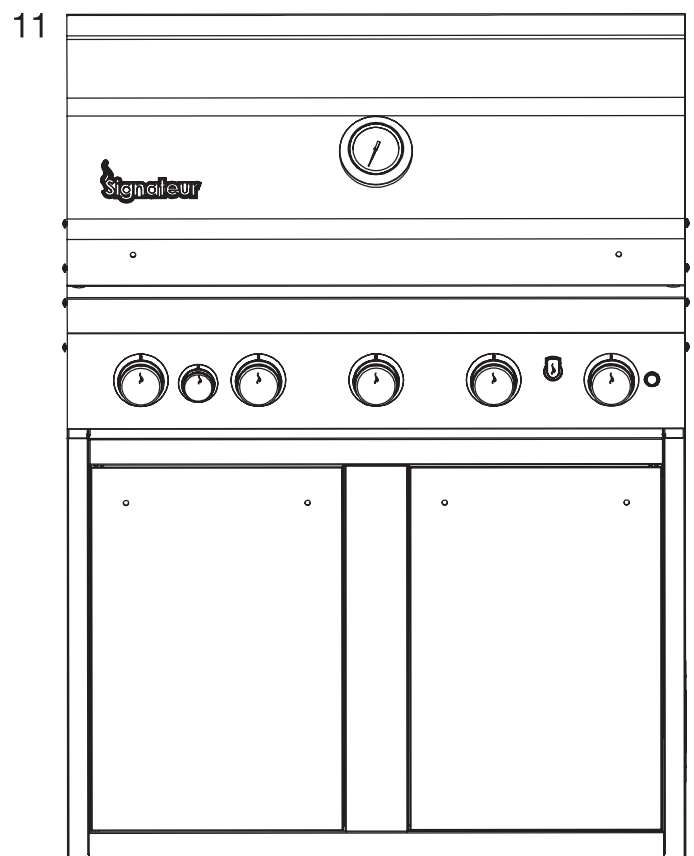
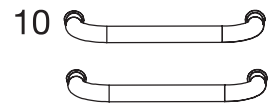
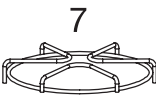
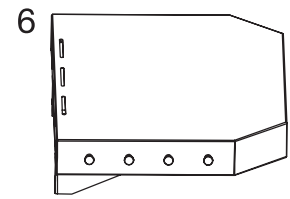
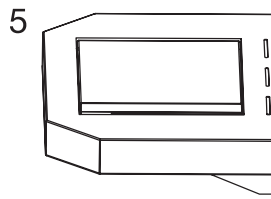
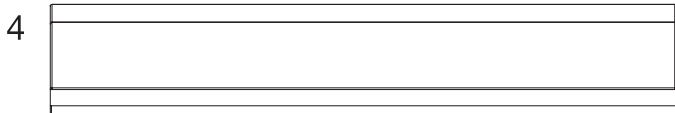
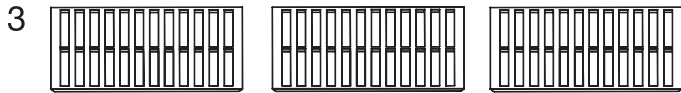
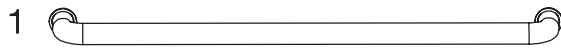
ANTES DE GUARDAR SU BARBACOA:

- Asegúrese de que la válvula del cilindro esté bien cerrada.
- Limpie todas las superficies. Cubra los quemadores con una capa ligera de aceite para cocina para evitar la oxidación excesiva.
- Si guarda la barbacoa en el interior, desconecte el tanque LP o y déjelo al EXTERIOR.
- Coloque la tapa guardapolvo en la salida de la válvula del cilindro cuando el cilindro no esté en uso. Instale únicamente el tipo de tapa guardapolvo que se suministra con la válvula del cilindro en la salida de la válvula. Otros tipos de tapas o tapones pueden causar fugas de propano.
- Revise y limpie el quemador antes de utilizar y después de almacenar, al principio de una temporada de uso o después de un periodo sin usar. Las arañas y los insectos pueden llegar a construir sus nidos en los tubos del quemador (especialmente durante los meses más fríos). Los tubos bloqueados del quemador pueden impedir el flujo de gas a los quemadores, resultando en un incendio en el tubo o debajo de la barbacoa. Consulte el "Ensamblado y mantenimiento del quemador" en la sección de Cuidado y mantenimiento adecuado.
- Si guarda su barbacoa en el exterior, cúbrala con una cubierta para protegerla de las inclemencias del tiempo.

SOLUCIÓN DE PROBLEMAS:

Problema	Causa posible	Prevención/Solución
El quemador no enciende	La válvula del tanque de gas LP está cerrada	Asegúrese de que el regulador esté bien conectado al tanque de gas y gire la válvula del tanque de gas LP a la posición ABIERTO (OPEN).
	El tanque de gas LP está bajo o vacío	Vea si el tanque de gas LP está vacío. Si está vacío, cámbielo o recárguelo.
	Fuga de gas LP	1. Gire la válvula del tanque de gas LP a CERRADO (CLOSED) 2. Espere 5 minutos para que se disipe el gas 3. Siga la sección de "Detección de fugas" del manual del propietario
	La tuerca de acoplamiento y el regulador no están bien conectados	Vea la sección de CONEXIÓN DE LA MANGUERA Y REGULADOR
	Obstrucción del flujo de gas	1. Limpie el ensamble del quemador 2. Compruebe que la manguera no esté doblada o torcida
	El quemador puede no estar bien asentado	Vuelva a colocar el quemador y la válvula. Consulte las "Instrucciones de ensamblado y mantenimiento del quemador"
	Hay telarañas o nidos de insectos en el tubo	Limpie el ensamble del tubo venturi y el quemador
	Orificios de los quemadores obstruidos o bloqueados	Limpie los orificios del quemador
	Se necesita cambiar la pila	Reemplace la pila (siga los pasos para la inserción de la pila)
	Los cables o electrodos están cubiertos con residuos de cocina	Limpie el cable y/o electrodo con alcohol isopropílico
	El electrodo y los quemadores están mojados	Seque con un paño seco
	El electrodo está agrietado o roto, hay chispas	Reemplace el electrodo
	Cable flojo o desconectado	Vuelva a conectar el cable o reemplace el ensamble del cable / electrodo
	El cable está en cortocircuito (chispea) entre el encendedor y el electrodo	Reemplace el ensamble del encendedor cable / electrodo
	Encendedor defectuoso	Reemplace el encendedor
La barbacoa no calienta lo suficiente	No hay gas	Sustituya o llene el tanque de gas LP
	El dispositivo limitador de flujo ha sido activado	1. Mini Reajuste: a. Gire las perillas de control y la válvula del tanque de gas LP a la posición de APAGADO (OFF) b. Espere un minuto y vuelva a encender la barbacoa de acuerdo a las "Instrucciones de encendido" 2. Si las llamas todavía están demasiado bajas, realice un reajuste completo Reajuste completo: a. Gire las perillas de control y la válvula del tanque de gas LP a la posición de APAGADO (OFF) b. Desconecte el regulador del tanque de propano c. Inspeccione el sello de goma del cilindro de gas LP d. Espere 1 minuto e. Vuelva a conectar el regulador y realice una prueba para detectar fugas en todas las conexiones. f. Encienda la barbacoa de acuerdo a las "Instrucciones de encendido"
Patrón irregular de la llama. La llama no recorre toda la longitud del quemador	Los orificios de los quemadores están obstruidos o bloqueados	Limpie los orificios del quemador
La llama es amarilla o naranja	El nuevo quemador puede tener aceites residuales de la fabricación	Encienda la barbacoa durante 15 minutos en ALTA (HIGH) con tapa cerrada
	Hay telarañas o nidos de insectos en el tubo	Limpie el ensamble de tubo venturi y el quemador
	Residuos de comida, grasa, etc.	Limpie el ensamble del quemador
	Mala alineación de la válvula al tubo venturi del quemador	Asegúrese de que el tubo venturi del quemador esté correctamente conectado con válvula
La llama se apaga	Ráfagas de vientos	No use la barbacoa con vientos fuertes
	Bajo nivel de gas LP	Sustituya o llene el tanque de gas LP
	Los orificios del quemador pueden estar obstruidos	Consulte las Instrucciones de ensamblado y mantenimiento del quemador
	Limitador de flujo activado	Consulte el "Procedimiento de reajuste del regulador"
Llamarada	Acumulación de grasa	Limpie todas las piezas de la barbacoa de acuerdo a las instrucciones de "Cuidado y mantenimiento adecuado"
	Exceso de grasa en la carne	Recorte la grasa de la carne antes de asar
	Temperatura de cocción excesiva	Retire la grasa de la carne antes de asarla
Incendio provocado por grasa	Grasa atrapada por la acumulación de comida alrededor del sistema del quemador	1. Gire las perillas de control y la válvula del tanque de gas LP a la posición de APAGADO (OFF) 2. Deje la tapa en posición abierta o cerrada y deje que se consuma el fuego

LISTADO DE PIEZAS



No	Descripción	Cantidad
1	Manija de la tapa	1
2	Rejilla de calentamiento	1
3	Parrillas de cocción	3
4	Limitador de llama	1
5	Ensamble de quemador izquierdo	1
6	Mesa lateral derecha	1
7	Parrilla de quemador lateral	1
8	Recipiente para grasa	1
9	Pilas AA	3
10	Manija de puerta con espaciadores	2
11	Cuerpo de la barbacoa	1

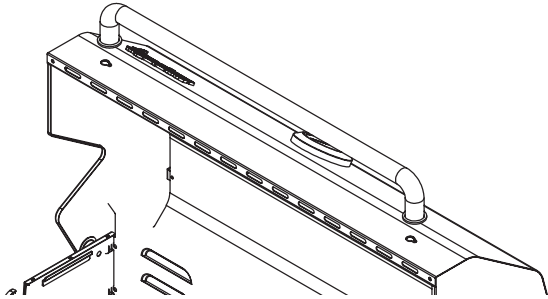
INSTRUCCIONES DE ENSAMBLE

⚠ ADVERTENCIA

ALGUNAS PIEZAS PUEDEN TENER BORDES ÁSPEROS. UTILICE GUANTES PROTECTORES DURANTE EL ENSAMBLE DE SER NECESARIO.

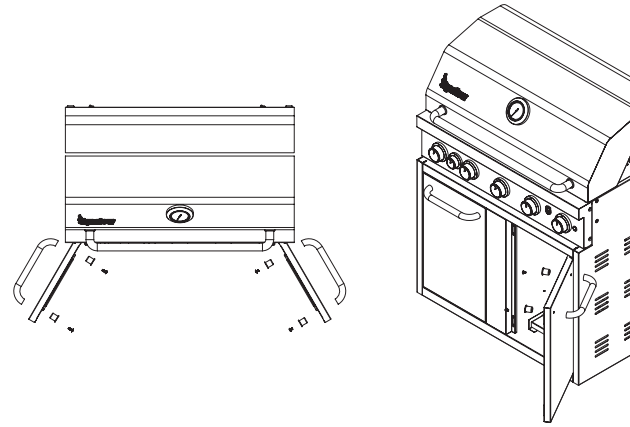
* SE REQUIERE UN DESTORNILLADOR DE CRUZ PARA EL ENSAMBLE (NO INCLUIDO).

1



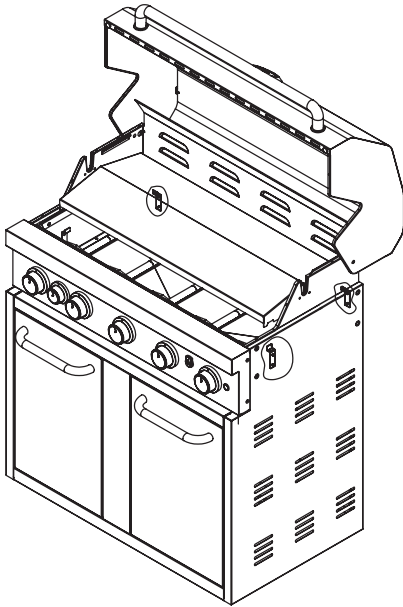
Coloque la manija de la tapa deslizándola hacia la derecha de la parrilla por completo y apriete los pernos firmemente.

2



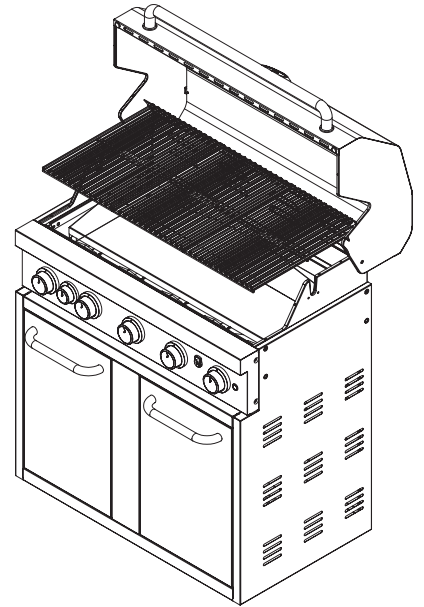
Fije la manija de la puerta izquierda a la puerta izquierda con los dos espaciadores y los dos tornillos prefijados de la manija de la puerta. Repita para la otra puerta.

3



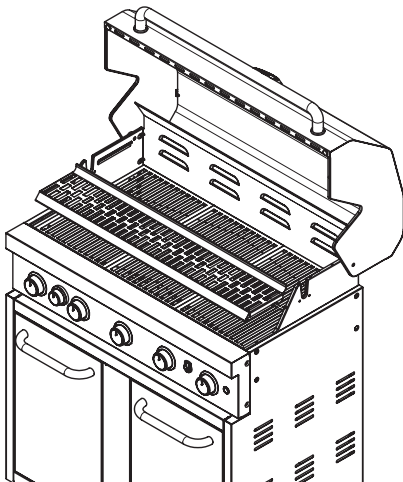
Coloque el limitador de llama.

4

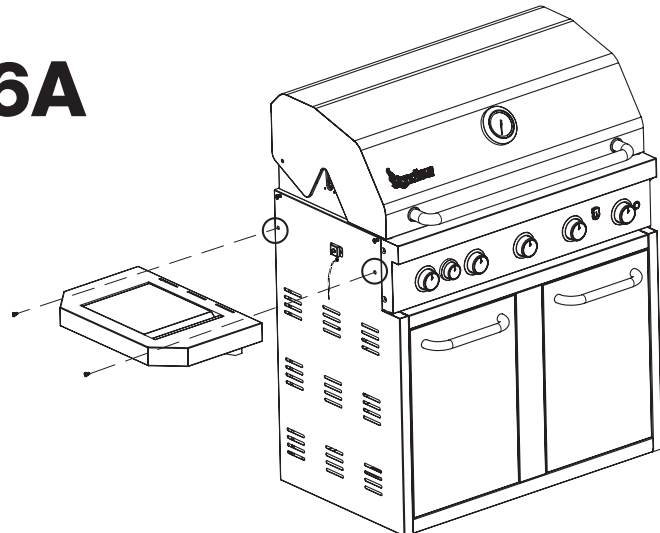


Coloque las parrillas de cocción.

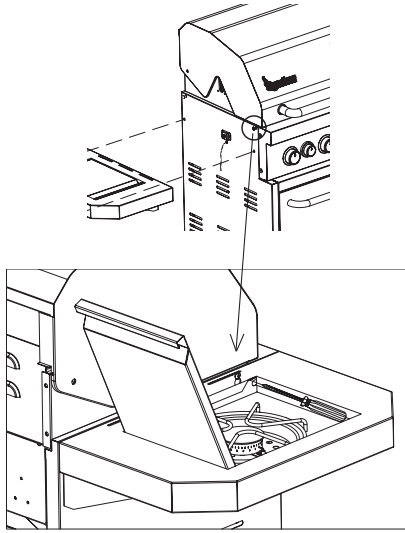
5



6A

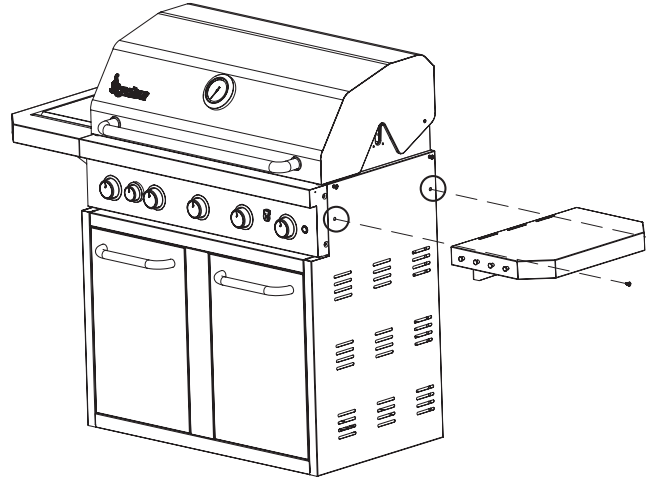


6B



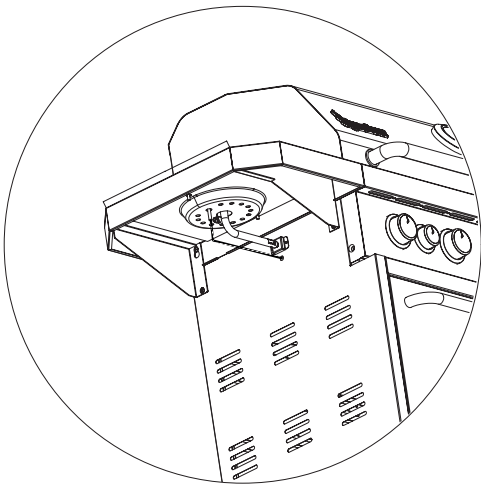
Abra la tapa del quemador lateral para apretar el tornillo a través del orificio de acuerdo al dibujo.

7



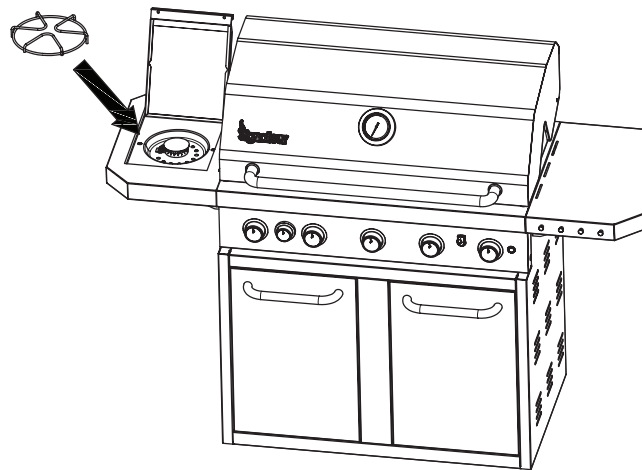
Retire los dos tornillos prefijados del lado derecho de la barbacoa que están marcados con un círculo. Fije el lado derecho de la mesa al lado derecho del cuerpo de la barbacoa. Coloque la mesa sobre los tornillos y deslice hacia abajo de la barbacoa, fije la mesa lateral utilizando los dos tornillos que retiró. Apriete los cuatro tornillos.

8



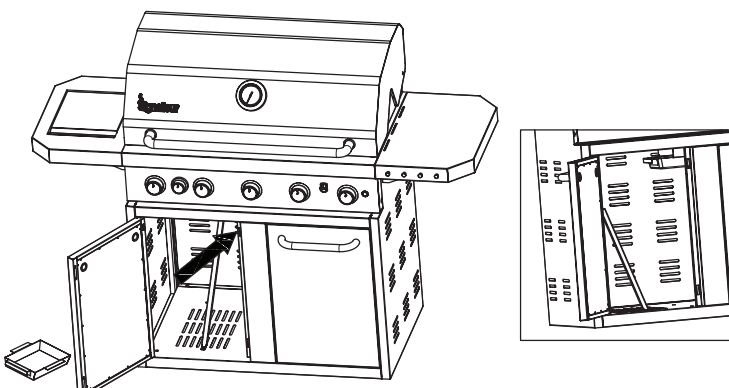
Afloje la tuerca de mariposa prefijada en el ensamble del quemador antes de continuar. Inserte el ensamble de la válvula desde el lateral del carro a través del tubo venturi del quemador lateral, a continuación, coloque firmemente la boquilla de la válvula en el tubo venturi del quemador y apriete la tuerca de mariposa. Conecte el cable principal del encendedor del quemador principal al electrodo.

9

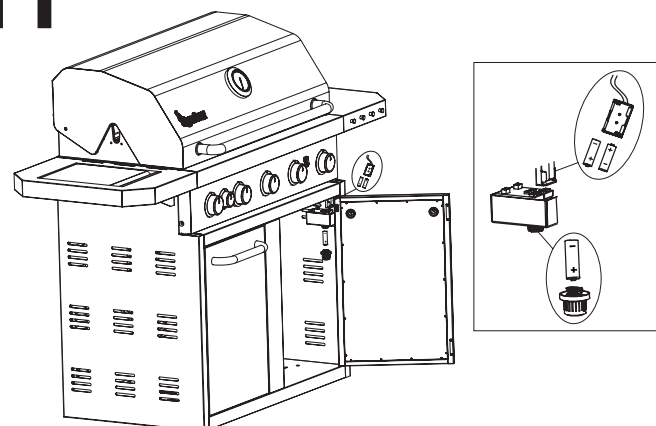


Coloque la parrilla del quemador lateral

10



11



GARANTÍA

GARANTÍA LIMITADA DE CINCO AÑOS

- Cámara de combustión
- Ensamble de la tapa
- Tubos de quemador de acero inoxidable
- Parrillas de cocción de acero inoxidable
- Rejilla de calentamiento

La cámara de combustión, el ensamble de la tapa, los tubos del quemador de acero inoxidable, las parrillas de cocción de acero inoxidable y la rejilla de calentamiento están garantizadas de estar libres de defectos en materiales y mano de obra durante un período de cinco (5) años incluyendo la oxidación y/o quemaduras. Esta garantía excluye la corrosión, rasguños, y la decoloración de las superficies que puede ocurrir durante el uso regular.

GARANTÍA LIMITADA DE DOS AÑOS

Para los restantes componentes de la barbacoa incluyendo pero no limitado a:

- Limitador de llama
- Correderas para cajones
- Indicador de temperatura
- Válvula de gas
- Cubierta
- Encendedor
- Bandeja de goteo
- Etcétera

Para los restantes componentes de la barbacoa incluyendo pero no limitado al limitador de llama, correderas, indicador de temperatura, válvula de gas, cubierta, encendedor, bandeja de goteo, etc. que se mencionan anteriormente están garantizados de estar libres de defectos a partir de la fecha original de compra. Esta garantía excluye la corrosión, rasguños, y la decoloración de las superficies que puede ocurrir durante el uso regular.

LIMITACIONES Y EXCLUSIONES

- La garantía aplica únicamente para el comprador original y no puede ser transferida.
- La garantía no aplicará y Signateur no se hace responsable en caso de daños causados por mal uso, abuso, alteración o modificación, accidentes, incendios por llamaradas, instalación incorrecta o no conforme a las instrucciones contenidas en este manual.
- Esta garantía se limita a la sustitución de las piezas defectuosas, el propietario deberá pagar por todos los otros costos incluyendo la mano de obra.

Nuestro Departamento de Servicio al Cliente está disponible de lunes a viernes, de 6 am a 2 pm, hora del Pacífico, en el número (800) 961-6196 (inglés solamente) o envíenos un correo electrónico a support@signateur.com

Para piezas y servicio, por favor proporcione la siguiente información:

- Nombre
- Dirección de envío
- Número de teléfono
- Imágenes de todo el producto
- Imágenes de la pieza o el problema
- Fecha de la compra y/o imagen del recibo

Nuestro equipo de soporte revisará el problema y responderá dentro de 24 horas. Si la pieza o el

Distributed by:
Costco Wholesale Corporation
P.O. Box 34535
Seattle, WA 98124-1535
USA
1-800-774-2678
www.costco.com

Imported by / Importé par :
Costco Wholesale Canada Ltd.*
415 W. Hunt Club Road
Ottawa, Ontario
K2E 1C5, Canada
1-800-463-3783
www.costco.ca

* faisant affaire au Québec sous
le nom les Entrepôts Costco

Manufactured by/ Fabriqué par/ Fabricado por:
Shanghai Hom-Steel Industry Co., Ltd

MADE IN CHINA / FABRIQUÉ EN CHINE / HECHO EN CHINA