

This Owner's Manual is provided and hosted by [Appliance Factory Parts](#).



# Charbroil 463246118 Owner's Manual

[Shop genuine replacement parts for Charbroil  
463246118](#)



[Find Your Charbroil Grill Parts - Select From 3621 Models](#)

----- Manual continues below part list -----

## Available Replacement Parts for Charbroil 463246118

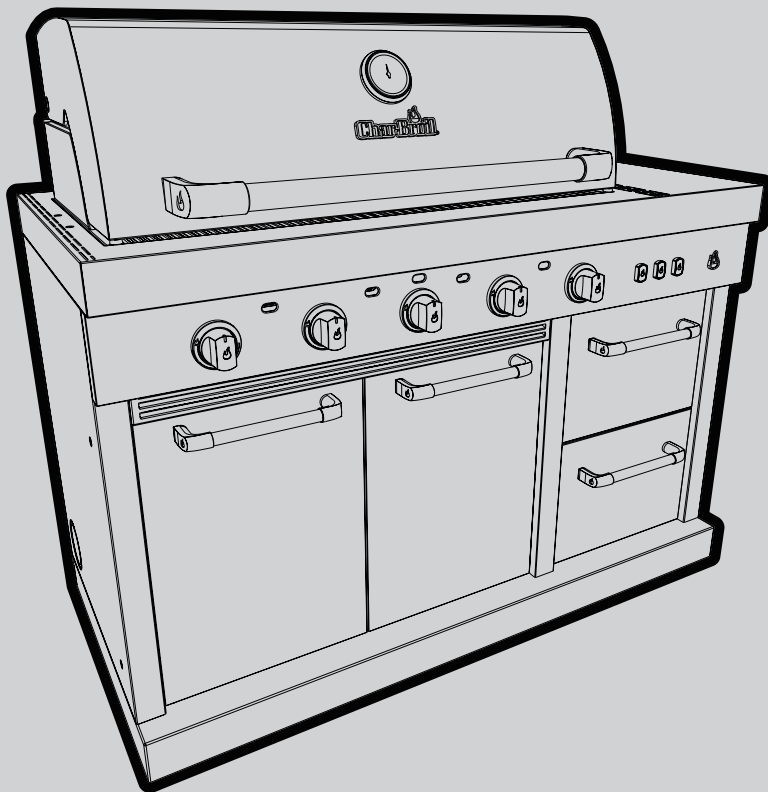
<a href="#">G416-0015-W1</a>	Grease Pan. Measures approximately: 7.7"
<a href="#">G501-0039-W1</a>	Grommet.
<a href="#">G560-5001-W1</a>	Rubber Bumper Round.
<a href="#">53073</a>	COOKING GRIDS, SET OF 3, PC AFTERMARKET
<a href="#">G411-0053-W1</a>	Fixed Door Pin.
<a href="#">G466-0015-W1</a>	Carry Over Tube. Hardware included.. Ple
<a href="#">G466-0024-W1</a>	Heat Tent. Hardware included.. Please ch
<a href="#">G533-0026-W1</a>	Cleaning Tool.
<a href="#">G359-0030-W4</a>	Top Lid Hardware.
<a href="#">G422-0035-W1</a>	Cap For Carryover Port.
<a href="#">G466-0047-W2</a>	Burner Brace.
<a href="#">G466-0057-W1</a>	Electrode For Main Burner.
<a href="#">G527-0002-W8</a>	Rubber Bumper With Hole For Top Lid.
<a href="#">G360-0012-W1</a>	Rotisserie Bracket Support
<a href="#">G619-0020-W1</a>	Light Switch For Bezel
<a href="#">G619-0021-W1</a>	Wire Harness For Light
<a href="#">G619-0036-W1</a>	Bezel For Temperature Gauge
<a href="#">G619-0055-W1</a>	Electronic Ignition Module
<a href="#">G619-0017-W1</a>	Bezel For Control Knob
<a href="#">G619-0018-W1</a>	Control Knob
<a href="#">G369-0055-W2</a>	Igniter Switch Module
<a href="#">G619-0035-W1</a>	Temperature Gauge
<a href="#">G619-0052-W1</a>	Transformer
<a href="#">G619-0053-W1</a>	Ac/ Dc Converter
<a href="#">G619-2100-W1</a>	Halogen Light
<a href="#">G619-2400-W1</a>	Handle For Lid
<a href="#">G619-2900-W1</a>	Ignition Wire
<a href="#">G369-0030-W2</a>	Oem Grate Cooking Infrared Cast Q 222mm
<a href="#">G362-2100-W1</a>	Infrared Emitter Grate



# PRODUCT GUIDE GUÍA DEL PRODUCTO

## MODULAR OUTDOOR KITCHEN - FIVE BURNER GRILL

## COCINA MODULAR EXTERIOR - CINCO PARRILLA DEL QUEMADOR



MODEL **463246118**  
MODELO

SERIAL NUMBER  
NÚMERO DE SERIE

.....

- See rating label on grill for serial number.
- El número de serie se encuentra en la etiqueta de especificaciones de la parrilla.

DATE PURCHASED  
FECHA DE COMPRA

.....



Easily converts from (LP) liquid propane to (NG) natural gas  
Se convierte fácilmente de propano líquido (LP) a gas natural (NG)

CONVERSION KIT | KIT DE CONVERSIÓN  
**#8259778**



If you have questions or need assistance during assembly, please call **1-800-448-2177**  
Si tiene alguna pregunta o si Necesita ayuda durante el Ensamblado, llámenos Al **1-800-448-2177**

# CONTENTS

IMPORTANT SAFETY INFORMATION.....	PAGE 2
FOR YOUR SAFETY - INSTALLING YOUR GRILL.....	PAGE 3
LP GAS SAFETY AND CYLINDER CARE .....	PAGE 4
LEAK CHECKING YOUR GRILL .....	PAGE 6
FOR YOUR SAFETY - OPERATING YOUR GRILL.....	PAGE 7
FOR YOUR SAFETY - LIGHTING YOUR GRILL .....	PAGE 8
CARE AND MAINTENANCE OF GRILL .....	PAGE 9
GRILL LIGHTS - OPERATION AND BULB REPLACEMENT.....	PAGE 11
REPLACEMENT PARTS DIAGRAM .....	PAGE 22
REPLACEMENT PARTS LIST .....	PAGE 23
GRILL ASSEMBLY .....	PAGE 25
TROUBLESHOOTING .....	PAGE 35
LIMITED WARRANTY .....	PAGE 39
REGISTRATION CARD .....	PAGE 43

**THIS GRILL IS FOR OUTDOOR USE ONLY**

## IMPORTANT SAFETY INFORMATION

### SAFETY SYMBOLS

DANGER, WARNING, and CAUTION statements are used throughout this Owner's Manual to emphasize critical and important information. Read and follow these statements to help ensure safety and prevent property damage.

The statements are defined below.



#### CAUTION

**CAUTION:** Indicates a potentially hazardous situation or unsafe practice which, if not avoided, may result in minor or moderate injury.



#### WARNING

**WARNING:** Indicates a potentially hazardous situation which, if not avoided, could result in death or serious injury.



#### DANGER

**DANGER:** Indicates a imminently hazardous situation which, if not avoided, will result in death or serious injury.



#### DANGER

If you smell gas:

1. Shut off gas to the appliance
2. Extinguish any open flame.
3. Open lid.
4. If odor continues, keep away from the appliance and immediately call your gas supplier or your fire department.



#### WARNING

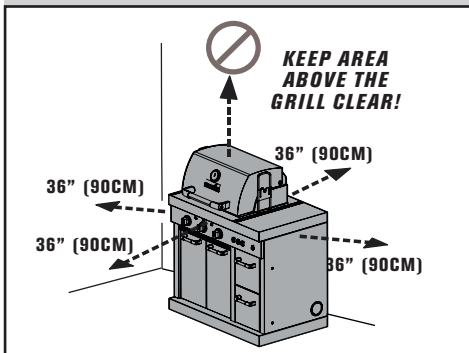
1. Do not store or use gasoline or other flammable liquids or vapors in the vicinity of this or any other appliance.
2. An LP cylinder not connected for use shall not be stored in the vicinity of this or any other appliance.

# FOR YOUR SAFETY - INSTALLING YOUR GRILL



## WARNING

- Keep grill area clear and free from materials that burn.
- Do not block holes in sides or back of grill.
- Use grill only in well-ventilated space.
- NEVER** use in enclosed space such as carport, garage, porch, covered patio, or under an overhead structure of any kind.
- Apartment Dwellers: Check with management to learn the requirements and fire codes for using an LP gas grill in your apartment complex. If allowed, use outside on the ground floor with a three (3) foot clearance from walls or rails. Do not use on or under balconies.
- Maintain 10 ft. clearance to objects that can catch fire or sources of ignition such as pilot lights on water heaters, live electrical appliances, etc.
- Failure to follow all manufacturer's instructions could result in serious personal injury and/or property damage.
- This outdoor gas appliance is not intended to be installed in or on a boat or Recreational Vehicle.
- Never attempt to attach this grill to the self-contained LP gas system of a camper trailer or motor home.
- Keep ventilation openings in cylinder enclosure (grill cart) free and clear of debris.
- Use grill at least 3 feet (90 cm) from any wall or surface.



### CALIFORNIA PROPOSITION 65

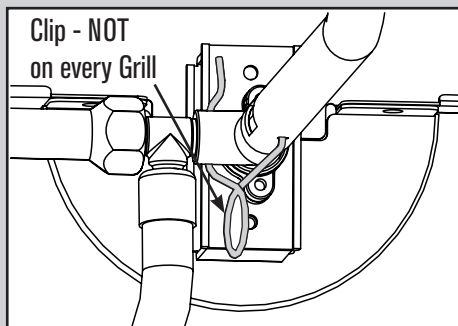
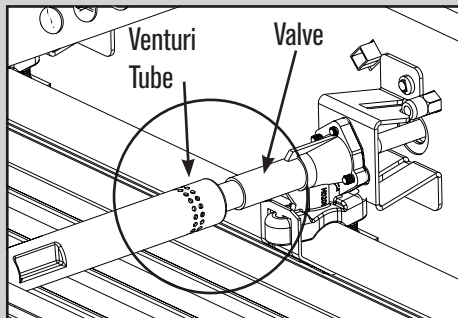
- Combustible by-products produced when using this product contains chemicals known to the state of California to cause cancer, birth defects, or other reproductive harm.
- This product contains chemicals, including lead and lead compounds, known to the state of California to cause cancer, birth defects or other reproductive harm.



## WARNING

Wash your hands after handling this product. **Perform the following checks prior to the first use of your grill:**

- Make sure valves are inside the venturi tubes of the burners as shown. If your grill was designed to have a clip, make sure the clip is in place.
- Always ensure the control knobs pop up and lock into the **OFF** position. Turn the tank valve on **PRIOR** to turning on the control knobs to avoid ignition problems and low flames.
- Perform a leak check as documented in the "Leak Checking Your Grill" section.
- Check burner tubes for spider nests per the **Care and Maintenance of your Grill** section.



## CAUTION

For residential use only. Do not use for commercial cooking.

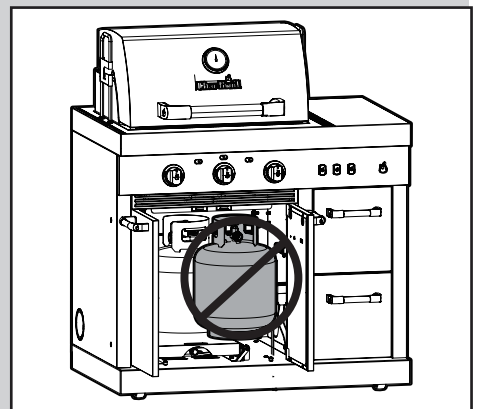
Read and follow all safety statements, assembly instructions, and use and care directions before attempting to assemble and cook.

Some parts may contain sharp edges. Wear protective gloves if necessary.



## DANGER

- NEVER** store a spare LP cylinder under or near the appliance or in an enclosed area.
- An over filled or improperly stored cylinder is a hazard due to possible gas release from the safety relief valve. This could cause an intense fire with risk of property damage, serious injury or death.
- If you see, smell or hear gas escaping, immediately get away from the LP cylinder/appliance and call your fire department.



## Installation Safety Precautions

- Use grill, as purchased, only with LP (propane) gas and the regulator/valve assembly supplied. If your grill is Dual Fuel ready, a conversion kit must be purchased for use with natural gas.
- Grill installation must conform with local codes, or in their absence of local codes, with either the *National Fuel Gas Code, ANSI Z223.1/ NFPA 54, Natural Gas and Propane Installation Code, CSA B149.1, or Propane Storage and Handling Code, B149.2.*
- All electrical accessories (such as rotisserie) must be electrically grounded in accordance with local codes, or National Electrical Code, ANSI / NFPA 70 or Canadian Electrical Code, CSA C22.1. Keep any electrical cords and/or fuel supply hoses away from any hot surfaces.
- This grill is safety certified for use in the United States and/or Canada only. Do not modify for use in any other location. Modification will result in a safety hazard.

# LP GAS SAFETY AND CYLINDER CARE

## LP Cylinder Removal, Transport and Storage

- NEVER store a spare LP cylinder under or near the appliance or in an enclosed area.
- Turn OFF all control knobs and LP cylinder valve. Turn coupling Nut counterclockwise by hand only - do not use tools to disconnect. Loosen cylinder screw beneath bottom shelf or disconnect other retention means, then lift LP cylinder up and out of cart. Install safety cap onto LP cylinder valve. Always use cap and strap supplied with valve.

### **Failure to use Safety cap as directed may result in serious personal injury and/or property damage.**

- A disconnected LP cylinder in storage or being transported must have a safety cap installed (as shown). Do not store an LP cylinder in enclosed spaces such as a carport, garage, porch, covered patio or other building.
- Never leave an LP cylinder inside a vehicle which may become overheated by the sun.
- Do not store an LP cylinder in an area where children play.

## LP Cylinder

### **The LP cylinder used with your grill must meet the following requirements:**

#### ***Use LP cylinders only with these required measurements:***

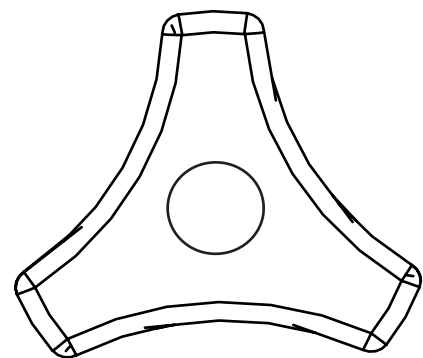
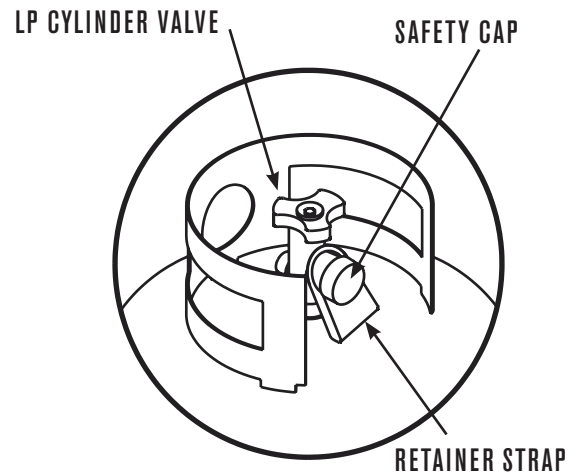
- 12" (30.5cm) (diameter) x 18" (45.7 cm) (tall) with 20 lb. (9 kg.) capacity maximum.
- LP cylinders must be constructed and marked in accordance with specifications for LP cylinders of the U.S. Department of Transportation (DOT) or for Canada, CAN/CSA-B339, cylinders, spheres and tubes for transportation of dangerous goods, Transport Canada (TC). See LP cylinder collar for marking.

#### ***LP cylinder valve must have:***

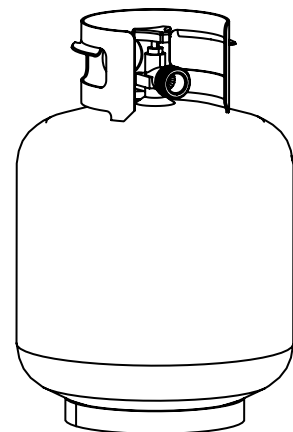
- Type 1 outlet compatible with regulator or grill.
- Safety relief valve.
- UL listed Overfill Protection Device (OPD). This OPD safety feature is identified by a unique triangular hand wheel. Use only LP cylinders equipped with this type of valve.
- LP cylinder must be upright for vapor withdrawal and include collar to protect LP cylinder valve. Always keep LP cylinders in upright position during use, transit or storage.

## LP (Liquefied Petroleum Gas)

- LP gas is nontoxic, odorless and colorless when produced.
- For your safety, LP gas has been given an odor (similar to rotten cabbage) so that it can be smelled.
- LP gas is highly flammable and may ignite unexpectedly when mixed with air.



OPD Handwheel



LP Cylinder in upright position for vapor withdrawal.

# LP GAS SAFETY AND CYLINDER CARE

## LP Cylinder Filling

- Use only licensed and experienced dealers.
- LP dealer must purge new cylinder before filling.
- Dealer should NEVER fill LP cylinder more than 80% of LP cylinder volume. Volume of propane in cylinder will vary by temperature.
- A frosty regulator indicates gas overfill. Immediately close LP cylinder valve and call local LP gas dealer for assistance.
- Do not release liquid propane (LP) gas into the atmosphere. This is a hazardous practice.
- To remove gas from LP cylinder, contact an LP dealer or call a local fire department for assistance. Check the telephone directory under "Gas Companies" for nearest certified LP dealers.
- An overfilled or improperly stored cylinder is a hazard due to possible gas release from the safety relief valve. This could cause an intense fire with risk of property damage, serious injury or death.

## LP Cylinder Exchange

- Many retailers that sell grills offer you the option of replacing your empty LP cylinder through an exchange service. Use only those reputable exchange companies that inspect, precision fill, test and certify their cylinders.
- Exchange your cylinder only for an OPD safety feature-equipped cylinder as described in the "LP Cylinder" section of this manual.
- Always keep new and exchanged LP cylinders in upright position during use, transit or storage. Leak test new and exchanged LP cylinders BEFORE connecting to grill.
- Place safety cap on cylinder valve outlet whenever the cylinder is not in use. Only install the type of safety cap on the cylinder valve outlet that is provided with the cylinder valve. Other types Of caps or plugs may result in leakage of propane.

## Connecting the Grill Regulator to the LP Cylinder

When LP cylinder is connected to grill, store outdoors in a well-ventilated space and out of reach of children.

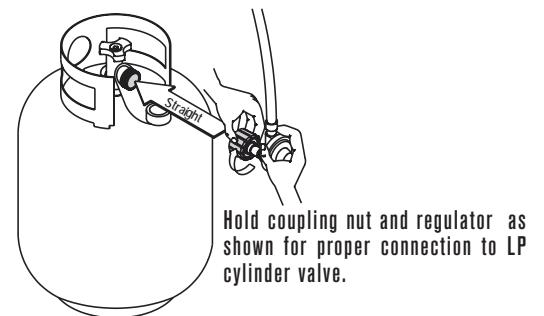
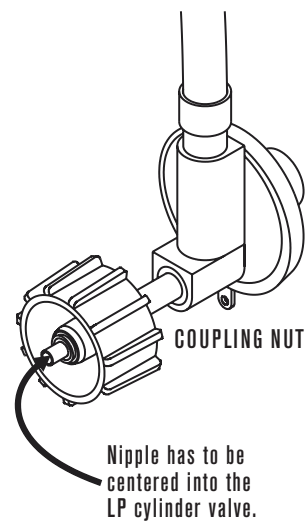
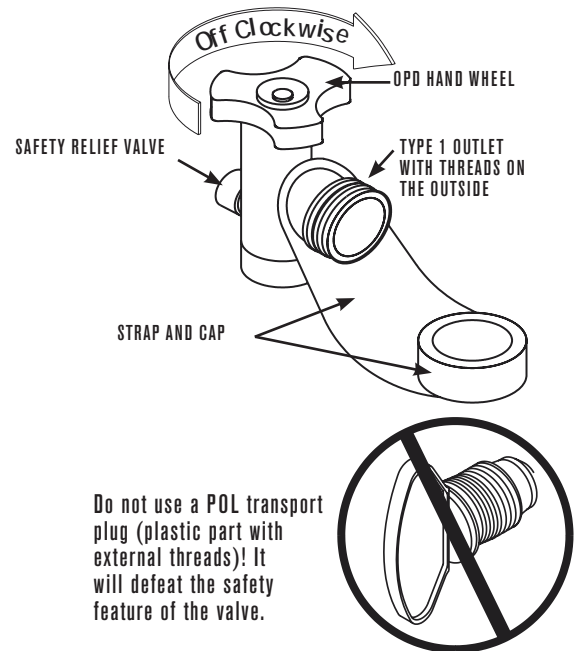
1. LP cylinder must be properly secured onto grill. (Refer to assembly section.)
2. Turn all control knobs to the **OFF** position.
3. Turn LP cylinder **OFF** by turning hand-wheel clockwise to a full stop.
4. Remove the safety cap from LP cylinder valve. Always use cap and strap if supplied with valve.
5. Hold regulator and insert nipple into LP cylinder valve. Hand-tighten the coupling nut, holding regulator in a straight line with LP cylinder valve so as not to cross-thread the connection.
6. Turn the coupling nut clockwise and tighten to a full stop. The regulator will seal on the back-check feature in the LP cylinder valve, resulting in some resistance. **An additional one-half to three-quarters turn is required to complete the Connection. Tighten by hand only – do not use tools.**

**NOTE:** If you cannot complete the connection, disconnect regulator and repeat steps 5 and 6. If you are still unable to complete the connection, **do not use this regulator!**



### **DANGER**

Do not insert any tool or foreign object into the valve outlet or safety relief valve. You may damage the valve and cause a leak. Leaking propane may result in explosion, fire, severe personal injury, or death.



# LEAK CHECKING YOUR GRILL

## LP Cylinder Leak Test

### For your safety

- Leak test must be repeated each time LP cylinder is exchanged or refilled.
- Do not smoke during leak test.
- Do not use an open flame to check for gas leaks.
- Grill must be leak tested outdoors in a well-ventilated area, away from ignition sources such as gas fired or electrical appliances. During leak test, keep grill away from open flames or sparks.
- Use a clean paintbrush and a 50/50 mild soap and water solution. Brush soapy solution onto areas indicated by arrows in figure below.
- Do not use household cleaning agents. Damage to gas train components can result.

## LP gas cylinder rubber seal inspection.

- Inspect the LP gas cylinder valve rubber seal for cracks, wear or deterioration prior to each use. A damaged rubber seal can cause a gas leak, possibly resulting in an explosion, fire, or severe bodily harm.
- It is recommended that you inspect the rubber seal each time the LP gas cylinder is connected to the appliance, each time it has been refilled, or if it has not been used for more than 60 days.
- **DO NOT** use an LP gas cylinder with a damaged rubber seal. The rubber seal **CANNOT** be repaired or replaced. Purchase a new cylinder or exchange the cylinder. You should inspect the seal before accepting a new or exchanged cylinder. **DO NOT** insert tools or foreign objects into the cylinder valve opening as this could damage the rubber seal.
- The leak check procedure outlined in the product guide/assembly manual **MUST** be followed each time the LP gas cylinder is connected to the appliance. Consult the product guide/assembly manual for the proper procedure and locations for leak checking.

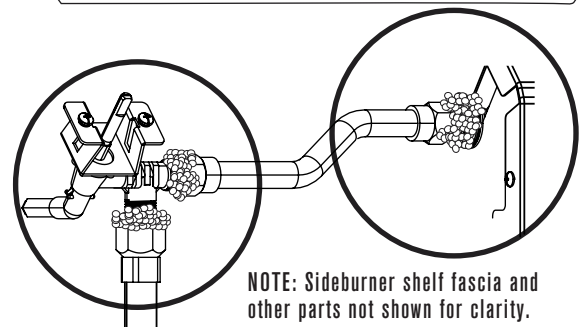
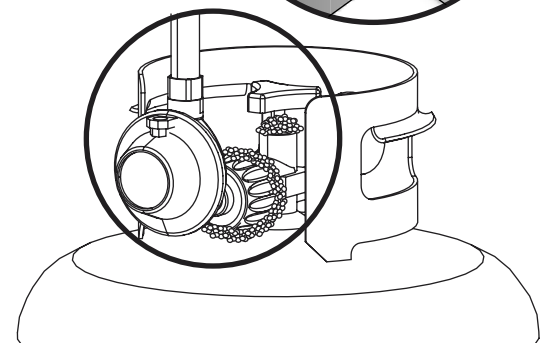
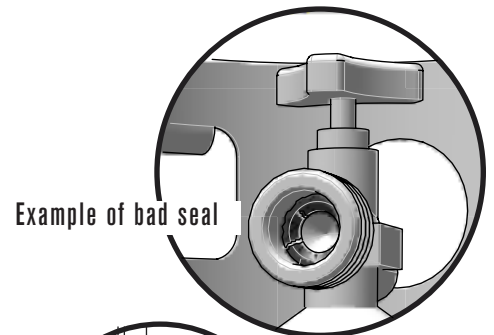
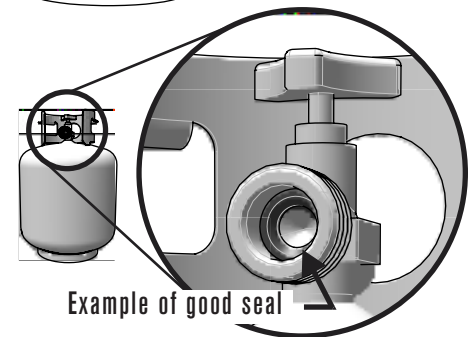
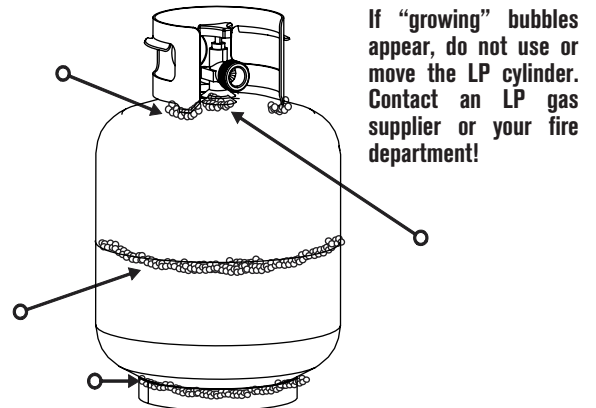
## Leak Testing Valves, Hose and Regulator

- Do not use grill until leak-tested.
- If a leak is detected at any time, **STOP!** Turn off gas at source and correct leak.
- If you cannot stop a gas leak by closing the LP cylinder valve leave area and call your fire department!

### Procedure:

1. Turn all grill control knobs to **OFF**.
2. Be sure regulator is tightly connected to LP cylinder.
3. Completely open LP cylinder valve by turning hand wheel counterclockwise. If you hear a rushing sound, turn gas off immediately. There is a major leak at the connection. **Correct before proceeding.**
4. Brush soapy solution onto areas circled at right, or other similar fittings on your grill.
5. If **“growing”** bubbles appear, there is a leak. Close LP cylinder valve immediately and retighten connections. If leaks cannot be stopped do not try to repair. Call for replacement parts.
6. Always close LP cylinder valve after performing leak test by turning hand wheel clockwise.

**NOTE:** Your grill may NOT be equipped with a sideburner.



# FOR YOUR SAFETY - WHILE OPERATING YOUR GRILL



## WARNING

### For Safe Use of Your Grill and to Avoid Serious Injury:

- Controls and gas source or tank **OFF** when not in use.
- Do not let children operate or play near grill.
- Check burner flames regularly.
- Do not use charcoal or ceramic briquets in a gas grill.
- Do not cover grates with aluminum foil or any other material. This will block burner ventilation and create a potentially dangerous condition resulting in property damage and/or personal injury.
- **NEVER** attempt to light or re-light burner with lid closed. A buildup of non-ignited gas inside a closed grill is hazardous.
- Never operate grill with LP cylinder out of correct position specified in assembly instructions.
- Always close LP cylinder valve and remove coupling nut before moving LP cylinder from specified operation position.



## DANGER

- If you see, smell or hear gas escaping, immediately get away from the LP cylinder/appliance and call your fire department.
- If during operation the flames go out (You smell gas or cannot see the flame):
  1. Turn the burner controls **OFF**.
  2. Open lid.
  3. Wait 5 minutes and repeat the lighting procedure.
- If the burner goes out, gas will continue to flow out of the burner and could accidentally ignite with risk of injury.



## CAUTION

- Putting out grease fires by closing the lid is not possible. Grills are well ventilated for safety reasons.
- Do not use water on a grease fire. Personal injury may result. If a grease fire develops, turn knobs and LP cylinder off.
- Do not leave grill unattended while preheating or burning off food residue on HI. If grill has not been regularly cleaned, a grease fire can occur that may damage the product.
- The best way to prevent grease fires is regular cleaning of the grill following instructions on General Grill Cleaning and Cleaning The Burner Assembly.

## Before each use of your Grill:

### Checking the Fuel Gas Hose

- Before each use, check to see if hoses are cut or worn or kinked. Replace damaged hoses before using grill. Use only valve/hose/regulator specified by manufacturer.

### Perform a Valve Check

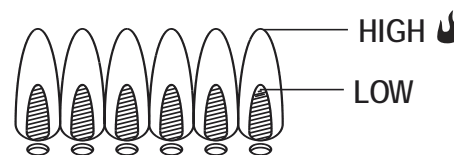
- **Important: Make sure gas is off at LP cylinder before checking valves.** Knobs lock in off position. To check valves, first push in knobs and release, knobs should spring back. If knobs do not spring back, replace valve assembly before using grill. Turn knobs to LOW position then turn back to off position. Valves should turn smoothly.

### Check the Ignitor

- Turn gas off at LP cylinder. Press and hold electronic ignitor button. "Click" should be heard and spark seen each time in each collector box or between burner and electrode. See "Troubleshooting" if no click or spark.

### Burner Flame Check

- Remove cooking grates and heat tents. Light burners, rotate knobs from HIGH to LOW. You should see a smaller flame in LOW position than seen on HIGH. Perform burner flame check on side burner, also. Always check flame prior to each use. If only low flame is seen refer to "Sudden drop or low flame" in the Troubleshooting Section.



### Turning your Grill Off

- Turn all knobs to the **OFF** position. Turn LP cylinder off by turning hand-wheel clockwise to a full stop.

# FOR YOUR SAFETY - LIGHTING YOUR GRILL

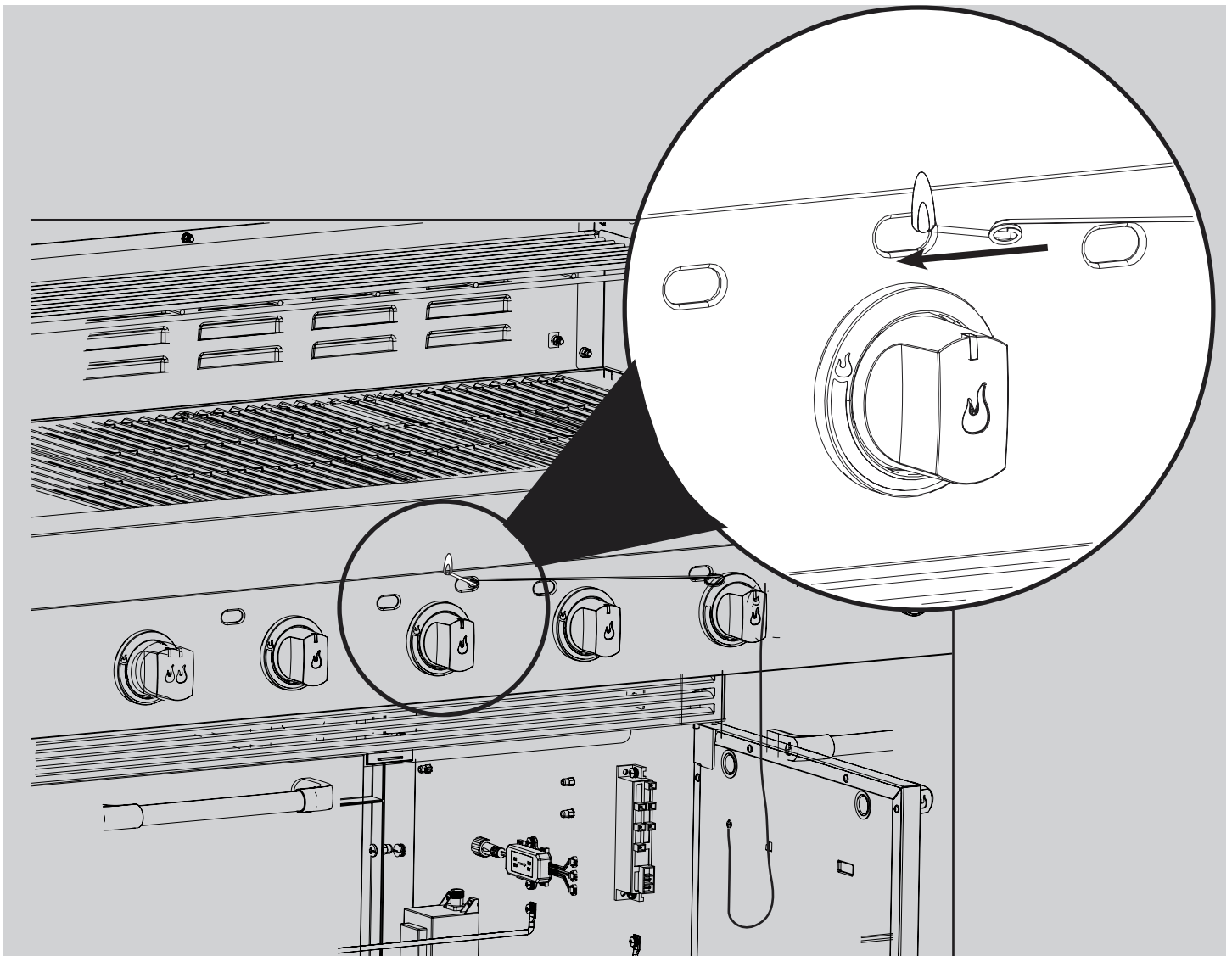
## LIGHTING THE MAIN BURNERS

### Main Burner Ignitor Lighting

- Do not lean over the grill while lighting.
1. Turn gas burner control valves to ○ (OFF).
  2. Open lid during lighting or re-lighting.
  3. Turn **ON** gas at LP cylinder.
  4. To ignite, push and turn burner knob to 🔥 **HIGH**. Immediately, push and hold **ELECTRONIC IGNITOR** button until the burner lights.
  5. If ignition does **NOT** occur in 5 seconds, turn the burner controls **OFF** ○, wait 5 minutes and repeat the lighting procedure.
  6. Repeat steps 4 and 5 to light other main burners.

### Main Burner Match-Lighting

- Do not lean over the grill while lighting.
1. Turn gas burner control valves to ○ (OFF).
  2. Open lid during lighting or re-lighting.
  3. Turn **ON** gas at LP cylinder.
  4. Place match into match holder (hanging from side panel of grill). Light match; then light burner by placing match through the match light hole on side of grill. Immediately push in and turn burner knob to the 🔥 **HIGH** position. Be sure burner lights and stays lit.
  5. Light adjacent burners in sequence by pushing knobs in and turning to the **HIGH** position.

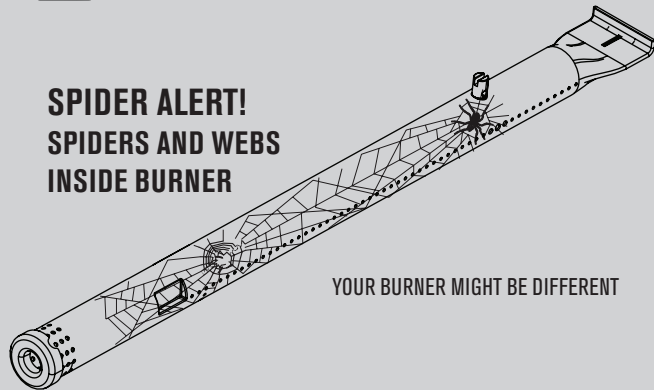


# CARE AND MAINTENANCE OF YOUR GRILL



## CAUTION

### SPIDER ALERT! SPIDERS AND WEBS INSIDE BURNER



YOUR BURNER MIGHT BE DIFFERENT

If your grill is getting hard to light or the flame is weak, check and clean the venturis and burners.

Spiders or small insects are known to create “flashback” problems by building nests and laying eggs in the grill’s venturi or burner, obstructing the flow of gas. The back-up gas can ignite behind the control panel. This flashback can damage your grill and cause injury. To prevent flashbacks and ensure good performance the burner and venturi tube assembly should be removed and cleaned when ever the grill has been idle for an extended period of time.

## Safety Tips

- Before opening LP cylinder valve, check the coupling nut for tightness.
- When grill is not in use, turn off all control knobs and LP cylinder valve.
- Never move grill while in operation or still hot.
- Some surfaces will be hot during use. Use long-handled barbecue utensils and oven mitts to avoid burns and splatters.
- The grease tray or cup must be installed during use and emptied after each use. Do not remove grease tray or cup until grill has completely cooled.
- Clean grill often, preferably after each cookout. If a bristle brush is used to clean any of the grill cooking surfaces, ensure no loose bristles remain on cooking surfaces prior to grilling. It is not recommended to clean cooking surfaces while grill is hot.
- If you notice grease or other hot material dripping from grill onto valve, hose or regulator, turn off gas supply at once. Determine the cause, correct it, then clean and inspect valve, hose and regulator before continuing. Perform a leak test.
- Do not store objects or materials inside the grill cart enclosure that would block the flow of combustion air to the underside of either the control panel or the firebox bowl.
- The regulator may make a humming or whistling noise during operation. This will not affect safety or use of grill.
- If you have a grill problem see the “Troubleshooting” Section.
- If the regulator frosts, turn off grill and LP cylinder valve immediately. This indicates a problem with the cylinder and it should not be used on any product. Return to supplier!

## General Grill Cleaning

- Do not mistake brown or black accumulation of grease and smoke for paint. Interiors of gas grills are not painted at the factory (and should never be painted). Apply a strong solution of detergent and water or use a grill cleaner with scrub brush on insides of grill lid and bottom. Rinse and allow to completely air dry. Do not apply a caustic grill/oven cleaner to painted surfaces.
- **Plastic parts:** Wash with warm soapy water and wipe dry.
- Do not use citrisol, abrasive cleaners, degreasers or a concentrated grill cleaner on plastic parts. Damage to and failure of parts can result.
- **Painted surfaces:** Wash with mild detergent or non-abrasive cleaner and warm soapy water. Wipe dry with a soft non-abrasive cloth.
- **Stainless steel surfaces:** To maintain your grill’s high quality appearance, wash with mild detergent and warm soapy water and wipe dry with a soft cloth after each use. Baked-on grease deposits may require the use of an abrasive plastic cleaning pad. Use only in direction of brushed finish to avoid damage. Do not use abrasive pad on areas with graphics.
- **Cooking surfaces:** If a bristle brush is used to clean any of the grill cooking surfaces, ensure no loose bristles remain on cooking surfaces prior to grilling. It is **NOT** recommended to clean cooking surfaces while grill is hot.

## Storing Your Grill

- Clean the cooking grates.
- Remove excess grease from the firebox.
- Store in dry location.
- When LP cylinder is connected to grill, store outdoors in a well-ventilated space and out of reach of children.
- Cover grill if stored outdoors. Char-Broil offers a cover custom fit to your Grill at [charbroil.com](http://charbroil.com).
- Store grill indoors **ONLY** if LP cylinder is turned off and disconnected, removed from grill and stored outdoors.
- When removing grill from storage, follow “Cleaning the Burner Assembly” instructions before starting grill.

# CARE AND MAINTENANCE OF YOUR GRILL

## Cleaning the Burner Assembly

Follow these instructions to clean and/or replace parts of burner assembly or if you have trouble igniting grill.

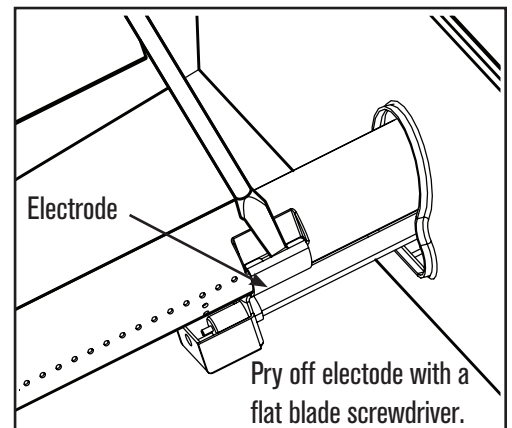
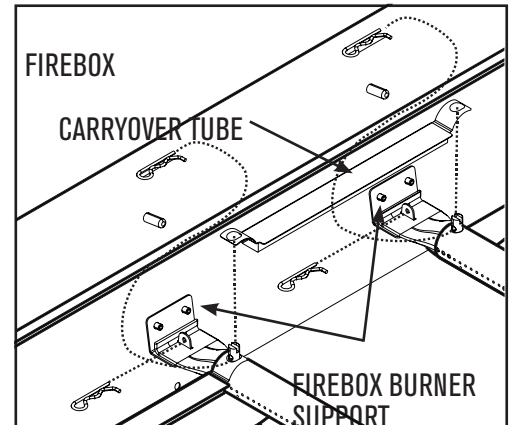
1. Turn gas off at control knobs and LP cylinder.
2. Remove cooking grates and heat tents.
3. Remove carryover tubes and hardware securing burners.
4. Detach electrode from burner.

**NOTE: Removal/Detachment method will depend on the burner configuration. See different configurations in illustrations below.**

5. Carefully lift each burner up and away from valve openings.

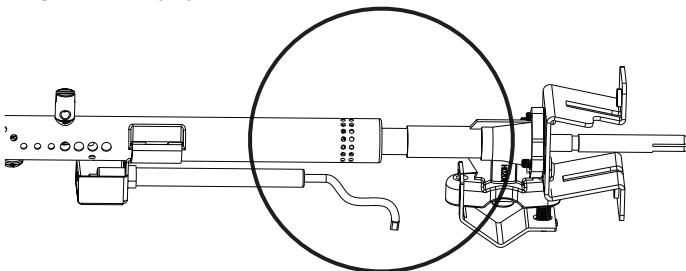
We suggest three ways to clean the burner tubes. Use the one easiest for you.

- Bend a stiff wire (a light weight coat hanger works well) into a small hook. Run the hook through each burner tube several times.
  - Use a narrow bottle brush with a flexible handle (do not use a brass wire brush). Run the brush through each burner tube several times.
  - Wear eye protection: Use an air hose to force air into the burner tube and out the burner ports. Check each port to make sure air comes out each hole.
6. Wire brush entire outer surface of burner to remove food residue and dirt.
  7. Clean any blocked ports with a stiff wire such as an open paper clip.
  8. Check burner for damage due to normal wear and corrosion, some holes may become enlarged. If any large cracks or holes are found, replace burner.
- VERY IMPORTANT: Burner tubes must re-engage valve openings. See illustration below.**
9. Attach electrode to burner.
  10. Carefully replace burners.
  11. Attach burners to brackets on firebox.
  12. Reposition carryover tubes and attach to burners. Replace heat tents and cooking grates.
  13. Before cooking again on grill, perform a "Leak Test" and "Burner Flame Check".

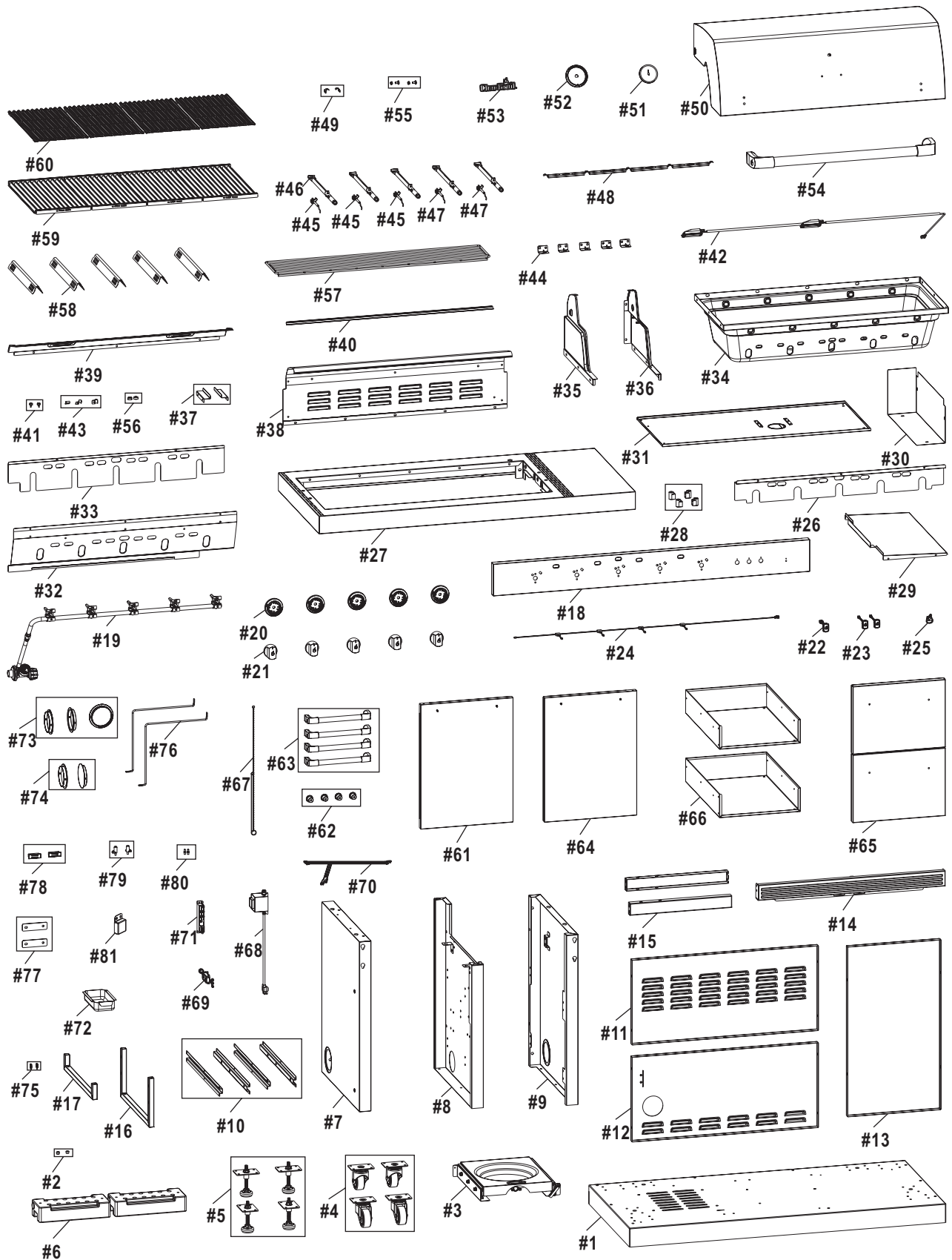


STEP 5: Example of a bent, stiff wire for cleaning your burner.

## STEP 10: CORRECT BURNER TO VALVE ENGAGEMENT



# REPLACEMENT PARTS DIAGRAM / DIAGRAMA DE PIEZAS DE REPUESTO



# REPLACEMENT PARTS LIST / LISTA DE PIEZAS DE REEMPLAZO

Key	Qty	Description
1	1	BOTTOM SHELF
2	2	DOOR STOP
3	1	LP TANK SHELF ASSEMBLY
4	4	CASTER, FIXED
5	4	LEVELER
6	2	WEIGHT BLOCK
7	1	LEFT CART PANEL
8	1	MIDDLE CART PANEL
9	1	RIGHT CART PANEL
10	4	DRAWER SLIDE
11	1	REAR PANEL, UPPER CART
12	1	REAR PANEL, LOWER CART
13	1	REAR PANEL, DRAWER CART
14	1	UPPER DOOR BRACE
15	2	UPPER DRAWER BRACE
16	1	FIREBOX SUPPORT, RIGHT
17	1	FIREBOX SUPPORT, LEFT
18	1	CONTROL PANEL
19	1	HOSE VALVE REGULATOR ASSEMBLY
20	5	BEZEL F/ CONTROL KNOB
21	5	CONTROL KNOB
22	1	IGNITER SWITCH MODULE
23	2	LIGHT SWITCH, F/ BEZEL
24	1	WIRE HARNESS, F/ LIGHT
25	1	LOGO PLATE, CONTROL PANEL
26	1	HEAT SHIELD, F/ CONTROL PANEL
27	1	SHELF FRAME
28	4	ROTISSERIE BRACKET SUPPORT
29	1	DRAWER RAIN SHIELD
30	1	HEAT SHIELD, F/ DRAWER
31	1	HEAT SHIELD, F/ TANK
32	1	HEAT SHIELD, F/ FIREBOX
33	1	HEAT SHIELD, F/ VALVE
34	1	FIREBOX
35	1	LEFT SIDE PANEL, F/ FIREBOX
36	1	RIGHT SIDE PANEL, F/ FIREBOX
37	2	WARMING RACK BRACKET
38	1	REAR PANEL, F/ FIREBOX
39	1	HALOGEN LIGHT PANEL

Key	Qty	Description
40	1	WIND SHIELD
41	2	REAR BUMPER, F/ TOP LID
42	1	HALOGEN LIGHT ASSEMBLY
43	3	WIRE CLIP, TOP LID
44	5	BURNER BRACE
45	3	ELECTRODE SET, F/ MAIN BURNER, 900MM WIRE
46	5	MAIN BURNER
47	2	ELECTRODE SET, F/ MAIN BURNER, 500MM WIRE
48	4	CARRY OVER TUBE
49	2	CAP, F/ CARRYOVER PORT
50	1	TOP LID
51	1	TEMPERATURE GAUGE
52	1	BEZEL, F/ TEMPERATURE GAUGE
53	1	LOGO PLATE
54	1	HANDLE F/ LID
55	1	TOP LID HARDWARE
56	2	FRONT BUMPER, F/ TOP LID
57	1	WARMING RACK
58	5	HEAT TENT
59	4	COOKING GRATE, INFRARED EMITTER
60	4	COOKING GRATE
61	1	DOOR, LEFT, NO HANDLE
62	4	BUSHING, F/ DOOR HANDLE
63	4	DOOR/ DRAWER HANDLE
64	1	DOOR, RIGHT, NO HANDLE
65	2	DRAWER FRONT
66	2	DRAWER FRAME
67	1	MATCH HOLDER
68	1	TRANSFORMER
69	1	AC/ DC CONVERTER
70	1	IGNITION WIRE ASSEMBLY
71	1	ELECTRONIC IGNITION MODULE
72	1	GREASE BOX
73	3	GROMMET
74	2	PLASTIC CAP
75	2	WIRE CLIP
76	2	TANK EXCLUSION
77	1	DOOR MAGNET
78	2	SPRING PIN, F/ DOOR
79	2	FIXED PIN, F/ DOOR
80	1	WIRE CLIP, IGNITOR

## NOT Pictured

...	1	PRODUCT GUIDE, ENGLISH, SPANISH
...	1	CLEANING TOOL
...	1	HARDWARE KIT W/ LOCKING PLATE

# REPLACEMENT PARTS LIST / LISTA DE PIEZAS DE REEMPLAZO

Llv	Cant.	Descripción
1	1	ESTANTE INFERIOR
2	2	PARADA DE LA PUERTA
3	1	MONTAJE DE ESTANTE DE TANQUE LP
4	4	CASTER, FIJO
5	4	NIVELADOR
6	2	BLOQUE DE PESO
7	1	PANEL DE CARRITO IZQUIERDO
8	1	PANEL DE CARRITO MEDIO
9	1	PANEL DE CARRITO DERECHO
10	4	DIPOSITIVA DEL CAJÓN
11	1	PANEL TRASERO, CARRITO SUPERIOR
12	1	PANEL TRASERO, CARRITO INFERIOR
13	1	PANEL TRASERO, CARRITO DEL CAJÓN
14	1	PUERTA SUPERIOR BRACE
15	2	PARTE SUPERIOR DEL CAJÓN
16	1	SOPORTE FIREBOX, DERECHO
17	1	SOPORTE FIREBOX, IZQUIERDO
18	1	PANEL DE CONTROL
19	1	CONJUNTO REGULADOR DE VÁLVULA DE MANGUERA
20	5	BISEL PARA PERILLA DE CONTROL
21	5	PERILLA DE CONTROL
22	1	MODULO DE INTERRUPTOR DE ENCENDIDO
23	2	INTERRUPTOR DE LUZ, PARA BEZEL
24	1	ARNÉS DE ALAMBRE PARA LUZ
25	1	PLACA LOGOTICA, PANEL DE CONTROL
26	1	ESCUDO TÉRMICO, PARA PANEL DE CONTROL
27	1	MARCO DE ESTANTE
28	4	SOPORTE SOPORTE ROTISSERIE
29	1	ESCUDO DE LLUVIA DEL CAÍDOR
30	1	ESCUDO PARA CALOR, PARA CAJÓN
31	1	ESCUDO PARA CALOR, PARA TANQUE
32	1	SHIELD PARA CALOR, PARA CAJA DE FUEGO
33	1	ESCUDO PARA CALOR, PARA VÁLVULA
34	1	CAJA DE FUEGO
35	1	PANEL LATERAL IZQUIERDO, PARA CAJA DE FUEGO
36	1	PANEL LADO DERECHO, PARA CAJA DE FUEGO
37	2	CALENTAMIENTO DEL SOPORTE DEL RACK
38	1	PANEL TRASERO, PARA CAJA DE FUEGO
39	1	PANEL DE LUZ HALÓGENO
40	1	VIENTO ESCUDO
41	2	PARACHOQUES TRASERO, PARA TAPA SUPERIOR
42	1	ASAMBLEA DE LUZ HALÓGENA
43	3	TAPA DE ALAMBRE, TAPA SUPERIOR
44	5	SOPORTE PARA QUEMADOR

Llv	Cant.	Descripción
45	3	JUEGO DE ELECTRODOS, PARA QUEMADOR PRINCIPAL, CABLE DE 900MM
46	5	QUEMADOR PRINCIPAL
47	2	JUEGO DE ELECTRODOS, PARA QUEMADOR PRINCIPAL, ALAMBRE DE 500MM
48	4	LLEVARSE SOBRE EL TUBO
49	2	CAP, PARA EL PUERTO DE CARRYOVER
50	1	TAPA SUPERIOR
51	1	INDICADOR DE TEMPERATURA
52	1	BISEL PARA INDICADOR DE TEMPERATURA
53	1	PLACA DE LOGOTIPO
54	1	MANGO PARA LA TAPA
55	1	KIT DE TORNILLERÍA DE TAPA SUPERIOR
56	2	PARACHOQUES DELANTERO, PARA TAPA SUPERIOR
57	1	ESTANTE DE CALENTAMIENTO
58	5	TIENDA DE CALOR
59	4	GALLETAS DE COCCIÓN, EMISOR INFRARROJO
60	4	COCINA DE LA COCINA
61	1	PUERTA, IZQUIERDA, SIN MANETA
62	4	CASQUILLO,, F / PUERTA DE PUERTA
63	4	PUERTA / MANIJA DEL CAJÓN
64	1	PUERTA, DERECHA, SIN MANETA
65	2	CAJÓN DELANTERO
66	2	CAJÓN MARCO
67	1	TITULAR DEL PARTIDO
68	1	TRANSFORMADOR
69	1	CONVERTIDOR AC / DC
70	1	CONJUNTO DE ALAMBRE DE ENCENDIDO
71	1	MÓDULO DE ENCENDIDO ELECTRÓNICO
72	1	CAJA DE GRASA
73	3	OJAL
74	2	TAPA DE PLÁSTICO
75	2	TAPA DEL ALAMBRE
76	2	EXCLUSIÓN DE TANQUE
77	1	IMÁN PARA PUERTAS
78	2	PIN DE MUELLE, PARA PUERTA
79	2	PIN FIJO PARA PUERTA
80	1	TITULAR DE ALAMBRE, IGNITOR

## NOT Pictured

...	1	GUÍA DE PRODUCTO, INGLÉS, ESPAÑOL
...	1	HERRAMIENTA DE LIMPIEZA
...	1	KIT DE HARDWARE CON PLACA DE BLOQUEO

# TROUBLESHOOTING

**EMERGENCIES: If a gas leak cannot be stopped, or a fire occurs due to gas leakage, call the fire department.**

<b>EMERGENCIES</b>	<b>POSSIBLE CAUSE</b>	<b>PREVENTION / SOLUTION</b>
Gas leaking from cracked/cut/burned hose.	<ul style="list-style-type: none"> <li>Damaged hose.</li> </ul>	<ul style="list-style-type: none"> <li>Turn off gas at LP cylinder or at source on natural gas systems. Discontinue use of product and replace valve/hose/regulator. Once valve/hose/regulator replaced conduct complete leak check per <i>Leak Checking Your Grill</i>.</li> </ul>
Gas leaking from LP cylinder.	<ul style="list-style-type: none"> <li>Mechanical failure due to rusting or mishandling.</li> </ul>	<ul style="list-style-type: none"> <li>Replace LP cylinder.</li> </ul>
Gas leaking from LP cylinder valve.	<ul style="list-style-type: none"> <li>Failure of cylinder valve from mishandling or mechanical failure.</li> </ul>	<ul style="list-style-type: none"> <li>Turn off LP cylinder valve. Return LP cylinder to gas supplier.</li> </ul>
Gas leaking between LP cylinder and regulator connection.	<ul style="list-style-type: none"> <li>Improper installation, connection not tight, and/or failure of rubber seal in cylinder valve.</li> </ul>	<ul style="list-style-type: none"> <li>Turn off LP cylinder valve. Remove regulator from cylinder and visually inspect rubber seal in cylinder valve for damage. If damage or cannot correct leak replace cylinder. See LP Cylinder Leak Test and Connecting Regulator to the LP Cylinder.</li> </ul>
Fire coming through control panel.	<ul style="list-style-type: none"> <li>Fire in burner tube section of burner due to blockage.</li> </ul>	<ul style="list-style-type: none"> <li>Turn off control knobs and LP cylinder valve. Leave lid open to allow flames to die down. After fire is out and grill is cold, remove burner and inspect for spider nests or rust. See Natural Hazard and Cleaning the Burner Assembly pages.</li> </ul>
Grease fire or continuous excessive flames above cooking surface.	<ul style="list-style-type: none"> <li>Too much grease buildup in burner area.</li> </ul>	<ul style="list-style-type: none"> <li>Turn off control knobs and LP cylinder valve. Leave lid open to allow flames to die down. After cooling, clean food particles and excess grease from inside firebox area, grease tray, and other surfaces.</li> </ul>

## TROUBLESHOOTING

<b>PROBLEM</b>	<b>POSSIBLE CAUSE</b>	<b>PREVENTION / SOLUTION</b>
Burner(s) will not light using ignitor. (See Electronic Ignition Troubleshooting also) Continued on next page.	<b>GAS ISSUES:</b> <ul style="list-style-type: none"> <li>Trying to light wrong burner.</li> <li>Burner not engaged with control valve.</li> <li>Obstruction in burner.</li> <li>No gas flow.</li> </ul> <ul style="list-style-type: none"> <li>Coupling nut and LP cylinder valve not fully connected.</li> </ul>	<ul style="list-style-type: none"> <li>See instructions on control panel and in Use and Care section.</li> <li>Make sure valves are positioned inside of burner tubes.</li> <li>Ensure burner tubes are not obstructed with spider webs or other matter. See cleaning section of Use and Care.</li> <li>Make sure LP cylinder is not empty. If LP cylinder is not empty, refer to "Sudden drop in gas flow."</li> <li>Turn the coupling nut approximately one-half to three-quarters additional turn until solid stop. Tighten by hand only - do not use tools.</li> </ul>
	<b>ELECTRICAL ISSUES:</b> <ul style="list-style-type: none"> <li>Electrode cracked or broken; "sparks at crack."</li> <li>Electrode tip not in proper position.(Does not apply to SUREFIRE.)</li> </ul> <ul style="list-style-type: none"> <li>Wire and/or electrode covered with cooking residue.</li> <li>Wires are loose or disconnected.</li> <li>Wires are shorting (sparking) between ignitor and electrode.</li> </ul>	

# TROUBLESHOOTING

<b>PROBLEM</b>	<b>POSSIBLE CAUSE</b>	<b>PREVENTION / SOLUTION</b>
Burner(s) will not light using ignitor. (See Electronic Ignition Troubleshooting also) Continued on next page.	<b>ELECTRONIC IGNITION:</b> <ul style="list-style-type: none"> <li>No spark, no ignition noise.</li> <li>No spark, some ignition noise.</li> <li>Sparks, but not at electrode or at full strength.</li> </ul>	<ul style="list-style-type: none"> <li>See Section I of Electronic Ignition System.</li> <li>See Section II of Electronic Ignition System.</li> <li>See Section III of Electronic Ignition System.</li> </ul>
Burner(s) will not match light.	<ul style="list-style-type: none"> <li>See “GAS ISSUES:”</li> <li>Match will not reach.</li> <li>Improper method of match-lighting.</li> </ul>	<ul style="list-style-type: none"> <li>Use long-stem match (fireplace match).</li> <li>See “Match-Lighting” section of <i>Lighting Your Grill</i>.</li> </ul>
Sudden drop in gas flow or low flame.	<ul style="list-style-type: none"> <li>Out of gas.</li> <li>Excess flow valve tripped.</li> <li>Vapor lock at coupling nut/LP cylinder connection.</li> </ul>	<ul style="list-style-type: none"> <li>Check for gas in LP cylinder.</li> <li>Turn off knobs, wait 30 seconds and light grill. If flames are still low, turn off knobs and LP cylinder valve. Disconnect regulator. Reconnect regulator and leak-test. Turn on LP cylinder valve, wait 30 seconds and then light grill.</li> <li>Turn off knobs and LP cylinder valve. Disconnect coupling nut from cylinder. Reconnect and retry.</li> </ul>
Flames blow out.	<ul style="list-style-type: none"> <li>High or gusting winds.</li> <li>Low on LP gas.</li> <li>Excess flow valve tripped.</li> </ul>	<ul style="list-style-type: none"> <li>Turn front of grill to face wind or increase flame height by turning gas valve to a higher position.</li> <li>Refill LP cylinder.</li> <li>Refer to “Sudden drop in gas flow” above.</li> </ul>
Flashback (fire in burner tube(s)).	<ul style="list-style-type: none"> <li>Burner and/or burner tubes are blocked.</li> </ul>	<ul style="list-style-type: none"> <li>Turn knobs to OFF. Clean burner and/or burner tubes. See burner cleaning <i>Care and Maintenance Section of this guide</i></li> </ul>

<b>IGNITION PROBLEM</b>	<b>POSSIBLE CAUSE</b>	<b>CHECK PROCEDURE</b>	<b>PREVENTION / SOLUTION</b>
<b>SECTION I</b> No sparks appear at any electrodes when Electronic Ignition Button is pressed; no noise can be heard from spark module.	<ul style="list-style-type: none"> <li>No power to spark module</li> <li>Button assembly not installed properly.</li> <li>Faulty spark module.</li> </ul>	<ul style="list-style-type: none"> <li>Verify transformer is plugged in, and all wires in cabinet are connected.</li> </ul>	<ul style="list-style-type: none"> <li>Plug in module to 120V AC Outlet. Disconnect and reconnect wires from transformer to AC/DC Converter and from AC/DC Converter to spark module.</li> <li>Replace spark module assembly.</li> </ul>
<b>SECTION II</b> No sparks appear at any electrodes when Electronic Ignition Button is pressed; noise can be heard from spark module.	<ul style="list-style-type: none"> <li>Output lead connections not connected.</li> </ul>	<ul style="list-style-type: none"> <li>Are output connections on and tight?</li> </ul>	<ul style="list-style-type: none"> <li>Remove and reconnect all output connections at module and electrodes.</li> </ul>
<b>SECTION III</b> Sparks are present but not at all electrodes and/or not at full strength	<ul style="list-style-type: none"> <li>Output lead connections not connected.</li> <li>Arcing to grill away from burner(s).</li> <li>Electrodes are wet.</li> <li>Electrodes cracked or broken “sparks at crack”.</li> </ul>	<ul style="list-style-type: none"> <li>Are output connections on and tight?</li> <li>If possible, observe grill in dark location. Operate ignition system and look for arcing between output wires and grill frame.</li> <li>Has moisture accumulated on electrode and/or in burner ports?</li> <li>Inspect electrodes for cracks.</li> </ul>	<ul style="list-style-type: none"> <li>Remove and reconnect all output connections at module and electrodes.</li> <li>If sparks are observed other than from burner(s), wire insulation may be damaged. Replace wires.</li> <li>Use paper towel to remove moisture.</li> <li>Replace cracked or broken electrodes.</li> </ul>

# LIMITED WARRANTY

This warranty only applies to units purchased from an authorized retailer. Manufacturer warrants to the original consumer-purchaser only that this product shall be free from defects in workmanship and materials after correct assembly and under normal and reasonable home use for the periods indicated below beginning on the date of purchase\*. The manufacturer reserves the right to require that defective parts be returned, postage and or freight pre-paid by the consumer for review and examination.

SCOPE OF COVERAGE	PERIOD OF COVERAGE	TYPE OF FAILURE COVERAGE
STAINLESS BURNER	10 YEARS FROM DATE OF PURCHASE*	PERFORATION, MANUFACTURING, AND MATERIAL DEFECTS ONLY
FIREBOX, LID, COOKING GRATE	3 YEARS FROM DATE OF PURCHASE*	
ALL OTHER PARTS	1 YEAR FROM DATE OF PURCHASE*	

\*Note: A dated sales receipt WILL be required for warranty service.

**The original consumer-purchaser will be responsible for all shipping charges for parts replaced under the terms of this limited warranty.**

This limited warranty is applicable in the United States and Canada only, is only available to the original owner of the product and is not transferable. **Manufacturer requires proof of your date of purchase. Therefore, you should retain your sales slip or invoice.** Registering your product is not a substitute for proof of purchase and the manufacturer is not responsible for or required to retain proof of purchase records. This limited warranty applies to the functionality of the product ONLY and does not cover cosmetic issues such as scratches, dents, corrosions or discoloring by heat, abrasive and chemical cleaners or any tools used in the assembly or installation of the appliance, surface rust, or the discoloration of stainless steel surfaces. Paint is not warranted and will require touch up. RUST is not considered a manufacturing or materials defect.

**This limited warranty will not reimburse you for the cost of any inconvenience, food, personal injury or property damage.**

#### ITEMS MANUFACTURER WILL NOT PAY FOR:

1. Shipping cost, standard or expedited, for warranty and replacement parts.
2. Service calls to your home.
3. Repairs when your product is used for other than normal, single-family household or residential use.
4. Damage, failures, or operating difficulties resulting from accident, alteration, careless handling, misuse, abuse, fire, flood, acts of God, improper installation or maintenance, installation not in accordance with electrical or plumbing codes, or use of products not approved by the manufacturer.
5. Any food loss due to product failures or operating difficulties.
6. Replacement parts or repair labor costs for units operated outside the United States or Canada.
7. Pickup and delivery of your product.
8. Repairs to parts or systems resulting from unauthorized modifications made to the product.
9. The removal and/or reinstallation of your product.

#### DISCLAIMER OF IMPLIED WARRANTIES and LIMITATION OF REMEDIES

Repair or replacement of defective parts is your exclusive remedy under the terms of this limited warranty. In the event of parts availability issues, the manufacturer reserves the right to substitute like or similar parts that are equally functional. Manufacturer will not be responsible for any consequential or incidental damages arising from the breach of either this limited warranty or any applicable implied warranty, or for failure or damage resulting from acts of God, improper care and maintenance, grease fire, accident, alteration, replacement of parts by anyone other than Manufacturer, misuse, transportation, commercial use, abuse, hostile environments (inclement weather, acts of nature, animal tampering), improper installation or installation not in accordance with local codes or printed manufacturer instructions.

THIS LIMITED WARRANTY IS THE SOLE EXPRESS WARRANTY GIVEN BY THE MANUFACTURER. NO PRODUCT PERFORMANCE SPECIFICATION OR DESCRIPTION WHEREVER APPEARING IS WARRANTED BY MANUFACTURER EXCEPT TO THE EXTENT SET FORTH IN THIS LIMITED WARRANTY. ANY IMPLIED WARRANTY PROTECTION ARISING UNDER THE LAWS OF ANY STATE, INCLUDING IMPLIED WARRANTY OF MERCHANTABILITY OR FITNESS FOR A PARTICULAR PURPOSE OR USE, IS HEREBY LIMITED IN DURATION TO THE DURATION OF THIS LIMITED WARRANTY.

Neither dealers nor the retail establishment selling this product has any authority to make any additional warranties or to promise remedies in addition to or inconsistent with those stated above. Manufacturer's maximum liability, in any event, shall not exceed the purchase price of the product paid by the original consumer. NOTE: Some states do not allow an exclusion or limitation of incidental or consequential damages, so some of the above limitations or exclusions may not apply to you. This limited warranty gives you specific legal rights as set forth herein. You may also have other rights which vary from state to state. In the state of California only, if refinishing or replacement of the product is not commercially practicable, the retailer selling this product or the Manufacturer will refund the purchase price paid for the product, less the amount directly attributable to use by the original consumer-purchaser prior to discovery of the nonconformity. In addition, in the state of California only, you may take the product to the retail establishment selling this product in order to obtain performance under this limited warranty. If you wish to obtain performance of any obligation under this limited warranty, you should write to:

**Consumer Relations**  
**P. O. Box 1240**  
**Columbus, GA 31902-1240**

Consumer returns will not be accepted unless a valid Return Authorization is first acquired. Authorized returns are clearly marked on the outside of the package with an RA number and the package is shipped freight/postage pre-paid. Consumer returns that do not meet these standards will be refused.



# PRODUCT REGISTRATION

Two convenient ways to register your product:

Deux manières pratiques d'enregistrer votre produit:

Dos maneras convenientes de registrar su producto:

## 1 Online

En ligne

En línea

@ [WWW.CHARBROIL.COM/REGISTER](http://WWW.CHARBROIL.COM/REGISTER)

## 2 By Mail | Par la poste | Por correo

Please fill out this card and attached a copy of your sales receipt. Return it within 10 days of purchase for warranty service. Proof of purchase will be required. The warranty is not transferable.

Veillez remplir cette carte et joindre une copie de votre reçu de vente. Renvoyez-le dans les 10 jours de l'achat pour le service de garantie. Une preuve d'achat sera nécessaire. La garantie n'est pas transférable.

Por favor llene esta tarjeta y adjunte una copia de su recibo de compra. Devuelva en el plazo de 10 días de la compra para el servicio de la garantía. Se requerirá prueba de compra. La garantía no es transferible.

*\*Required / Obligatoire / Necesario*

*\*\*Please Print / Veuillez imprimer / Por favor imprima*

*1. First Name   Prénom   Nombre	Initial   Initiale   Inicial	Last Name   Nom de famille   Apellido
Address   Adresse   Dirección		Apt. No   No d'appt   No de appart
City   Ville   Ciudad	State   Etat   Estado	Zip Code   Code post   Código post
*2. E-mail Address   Adresse e-mail   Dirección de correo electrónico		
*3. Phone Number   Numéro de téléphone   Número de Teléfono		
*4. Model Number   Numéro de modèle   Número de modelo		
Serial Number   Numéro de série   Número de serie		
6. Date of Purchase   Date d'achat   Fecha de compra		
7. Store Name   Nom du magasin   Nombre de la tienda		
8. Purchase Price   Prix d'achat   Precio de compra		

\*5. Attach copy of your sales receipt here.  
Joignez une copie de votre reçu de vente ici.  
Adjunte una copia de su recibo de venta aquí.

9 Your Gender | Sexe | Sexe: Male | Masculin | Masculino Female | Femelle | Femenino

**We respect your privacy | Nous respectons votre vie privée | Respetamos su privacidad**

If you prefer not to receive special offers and promotions from Char-Broil, please check here:

Si vous préférez recevoir des offres et promotions spéciales de Char-Broil, veuillez vérifier ici:

Si estás buscando un lugar para alojarse en Char-Broil, compruebe aquí.

**Mail to: / Envoyer à: / Correo a:**

Char-Broil Warranty Registration

P.O. Box 1240

Columbus, Ga 31902-1240

Thank you for completing this questionnaire | Merci d'avoir rempli ce questionnaire. | Gracias por completar este cuestionario

