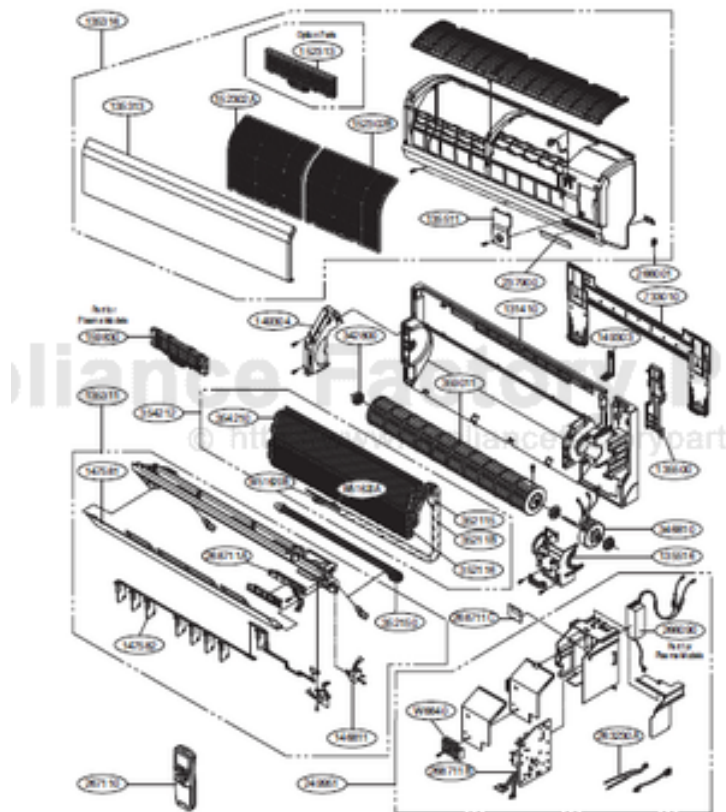


This Owner's Manual is provided and hosted by [Appliance Factory Parts](#).



LG ASNC0914DH1 Owner's Manual

[Shop genuine replacement parts for LG ASNC0914DH1](#)



[Find Your LG Air Conditioner Parts - Select From 2330 Models](#)

----- Manual continues below -----



Room Air Conditioner

SVC MANUAL(Exploded View)

MODEL : LSN093CE(ASNC0914DH1)
LSU093CE(ASUC0914DH1)

CAUTION

Before Servicing the unit, read the safety precautions in General SVC manual.
Only for authorized service personnel.

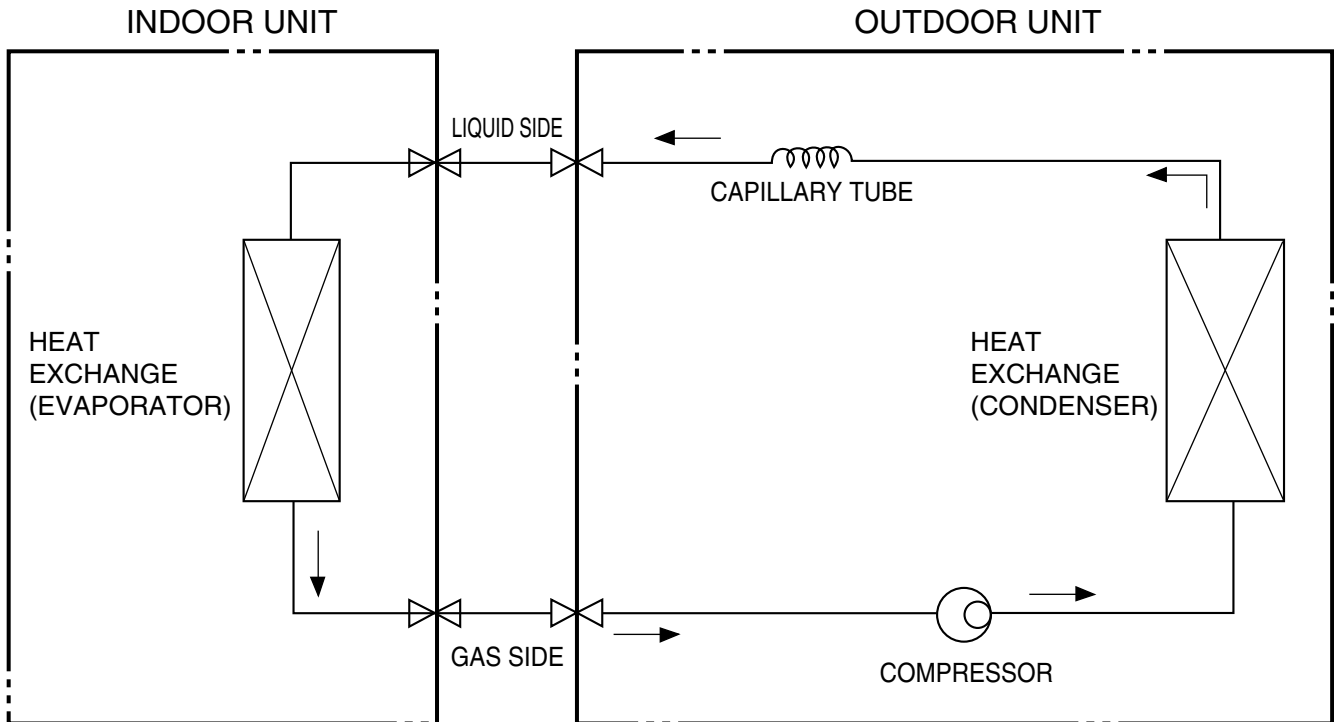
1. Specification

Item	Model Name		LS*093CE (AS-C0914DH1)
	Unit		
Power Supply	Ø, V, Hz		1, 115V, 60
Cooling Capacity	BTU/h		9,000
Input	W		780
Running Current	A		7
COMP. Locked Rotor AMP.	A		50
S.E.E.R			13
Air Circulation	m³G/min(cfm)		7.1(250)
Moisture Removal	l/h(pts/hr)		1.2(2.6)
Noise Level (Sound Pressure, 1m)	Indoor, High	dB(A)	36
	Med	dB(A)	31
	Low	dB(A)	28
	Outdoor, Max	dB(A)	48
Features	Temperature Control		Thermistor
	Air Deflection		4-way
	Steps, Fan/Cool		3/3
	Air Deflection Control(up&down)		Auto
	Air Deflection Control(left&right)		Auto
	Remocon Type		Wireless LCD
	Setting Temperature Range, Cooling Mode		64~86°F
	Temperature Increment		2°F(1°C)
	Auto Operation(electronic control)		Yes
	Self Diagnosis		Yes
	Timer		24hr , On/Off
	Sleep Operation		Yes
	Healthy Dehumidification Mode		Yes
Restart Delay	minutes	3	
Refrigerant(R-410a) Charge	g(oz)		600(21.1)
Power cord	AWG#:P*mm²		14:3*2.5
Fuse of breaker Capacity	A		15
Connecting Cable	AWG#:P*mm²		18:4*0.75
Connecting Tube (Ø, Socket Flare)	Liquid Side	mm(in)	6.35(1/4)
	Gas Side	mm(in)	9.52(3/8)
	Length, std	m(ft)	7.5(25)
Additional Drain Hose(outer Dia.)	mm(in)		15.5(5/8)
Dimensions (WxHxD)	Indoor	mm	840*270*153
		in	33-1/16*10-5/8*6-1/32
	Outdoor	mm	770*541*244
		in	30-5/16*21-5/16*9-5/18
Net Weight	Indoor	Kg(lbs)	7.0(15.4)
	Outdoor	Kg(lbs)	30(66.1)
Gross Weight	Indoor	Kg(lbs)	8.2(18.0)
	Outdoor	Kg(lbs)	33.3(73.4)

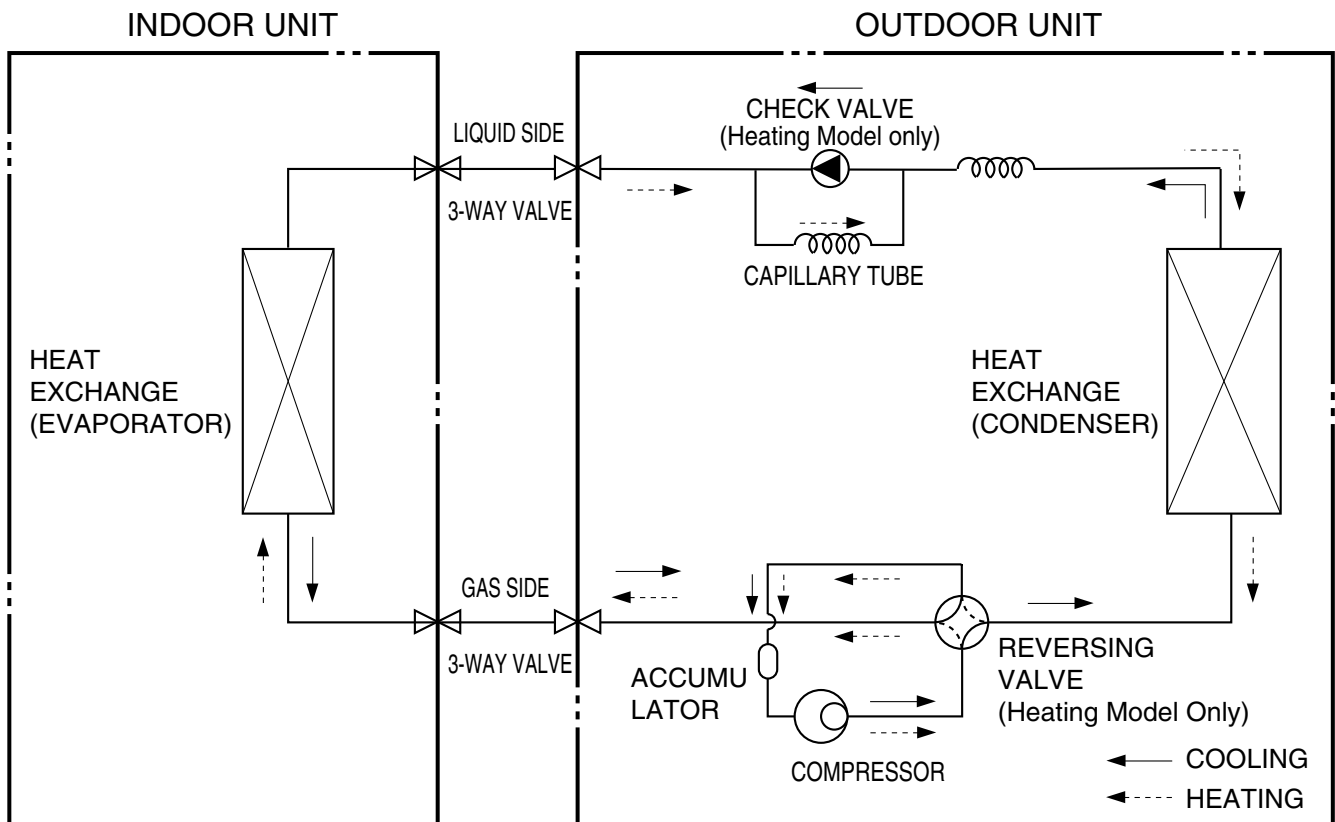
* Design and specifications subject to change without prior notice for product improvement.

2. Piping Diagrams

(1) Cooling Only Models

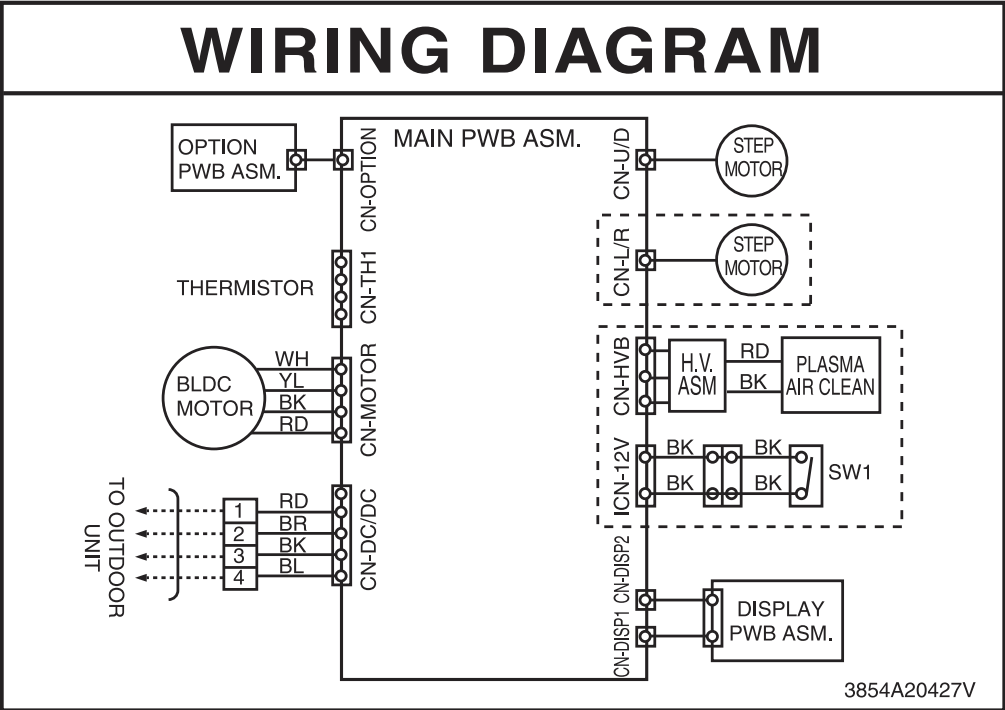


(2) Cooling & Heating Models

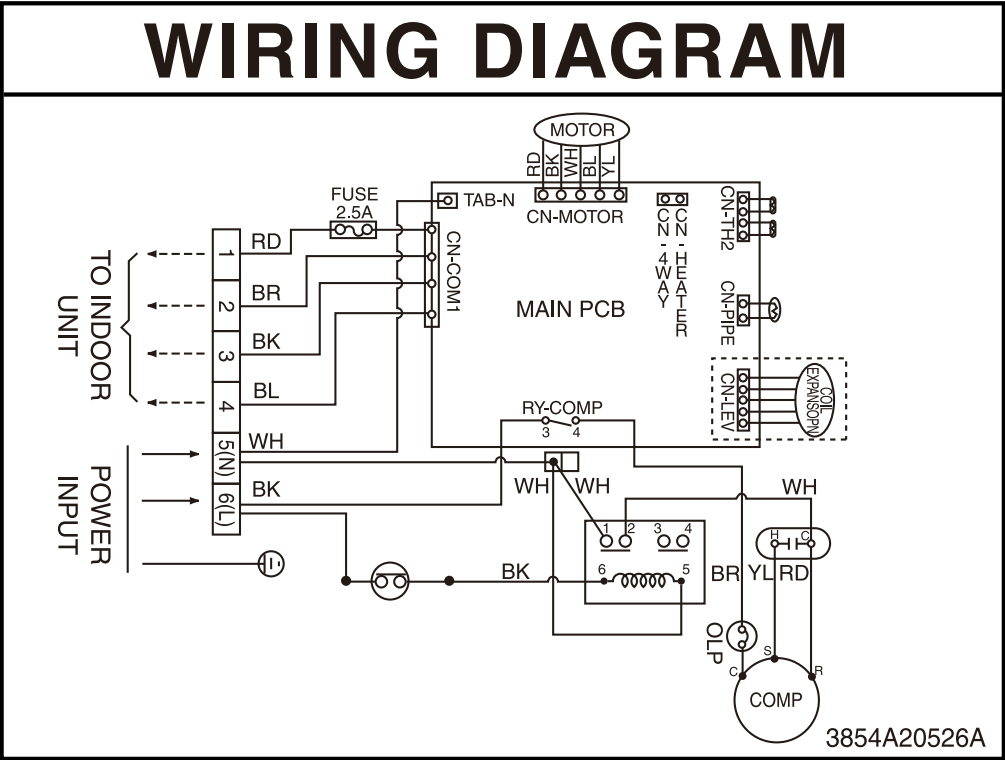


3. Wiring Diagrams

Indoor Unit

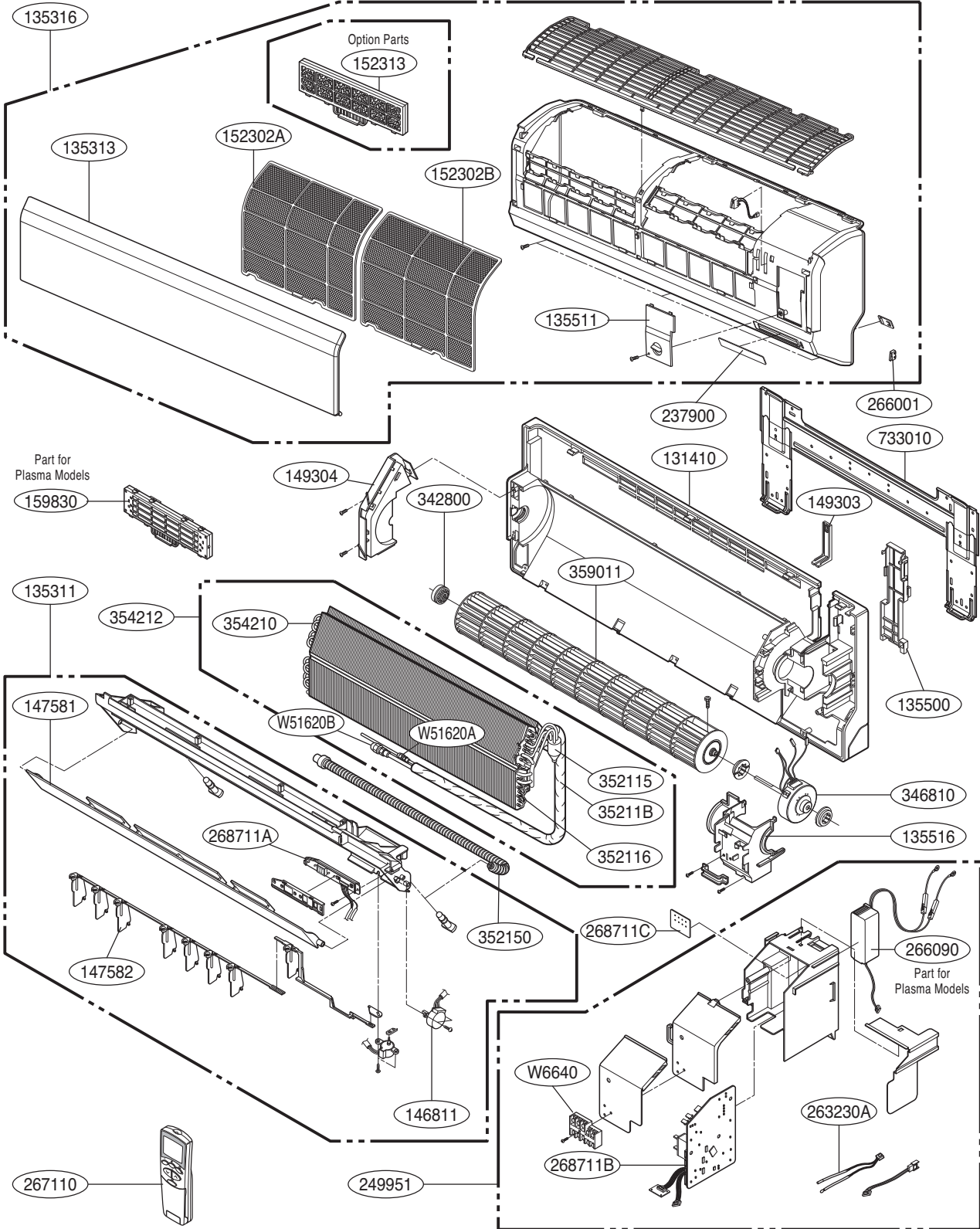


Outdoor Unit Models : 9k(C/O)



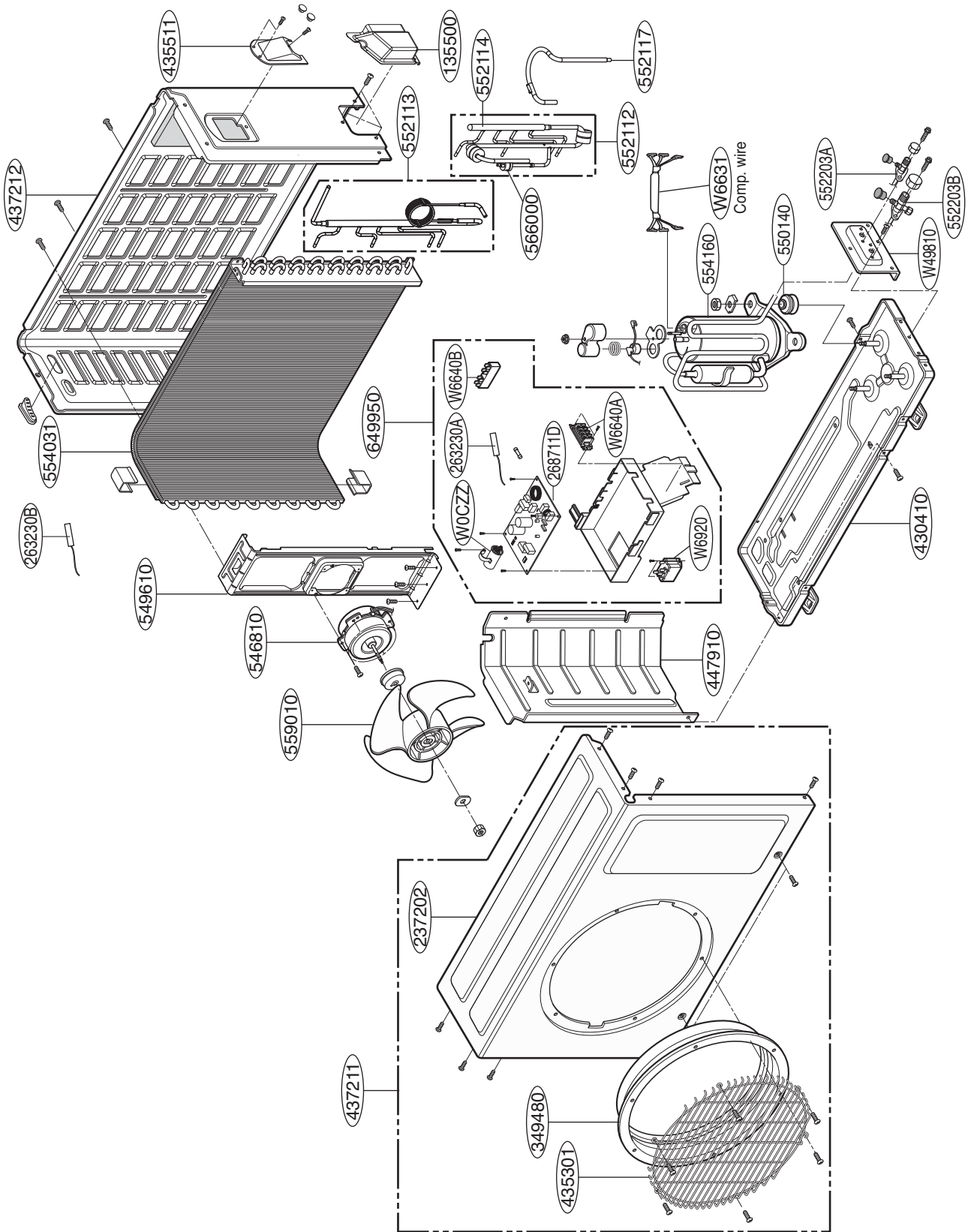
4. Exploded View

Indoor Unit



Note) * Please ensure GCSC since the replacement parts may be changed depending upon the buyer's request. Please check the correct parts in View RPL(Replacement Part List) on GCSC. (GCSC Website <http://biz.Lgservice.com>,)

Outdoor Unit
9k, 12k(C/O) Series



Note) * Please ensure GCSC since the replacement parts may be changed depending upon the buyer's request.
 Please check the correct parts in View RPL(Replacement Part List) on GCSC.
 (GCSC Website <http://biz.lgservice.com>.)



US	1. Please call the installing contractor of your product, as warranty service will be provided by them. 2. If you have service issues that have not been addressed by the contractor, please call 1-888-865-3026.
CANADA	Service call Number # : (888) LG Canada, (888) 542-2623

P/NO : MFL42684215

FEBRUARY, 2010