

This Owner's Manual is provided and hosted by [Appliance Factory Parts](#).



# LG AS-W363DGU1 Owner's Manual

[Shop genuine replacement parts for LG AS-W363DGU1](#)



[Find Your LG Air Conditioner Parts - Select From 2330 Models](#)

----- Manual continues below -----



Internal Use Only

<http://biz.lgservice.com>

# Room Air Conditioner

## SVC MANUAL(Exploded View)

**MODEL : AS-W363DGU1(Set)**  
**ASNW363DGU1**  
**ASUW363DGU1**  
**AS-W303DGU1(Set)**  
**ASNW303DGU1**  
**ASUW303DGU1**

### **CAUTION**

Before Servicing the unit, read the safety precautions in General SVC manual.  
Only for authorized service personnel.

# 1. Product Specifications

Sales Model			LS307HV	LS360HV	
Models		Unit	AS-W303DGU1	AS-W363DGU1	
Cooling Capacity		kW	0.90 ~ 8.79 ~ 9.46	0.90 ~ 9.67 ~ 9.96	
		Btu/h.	3,070 ~ 30,000 ~ 32,300	3,070 ~ 33,000 ~ 34,000	
Heating Capacity		kW	0.90 ~ 9.38 ~ 10.81	0.90 ~ 10.32 ~ 11.40	
		Btu/h.	3,070 ~ 32,000 ~ 36,900	3,070 ~ 35,200 ~ 38,900	
Power Input	Cooling/Heating	W	3,000/3,100	4,035/3,840	
Running Current	Cooling/Heating	A	13.4/13.9	17.0/16.2	
Starting Current	Cooling/Heating	A	13.4/13.9	17.0/16.2	
EER		W/W	2.93	2.4	
		Btu/h.W	10	8.2	
SEER			18	16.1	
HSPF			9.5	9.9	
Power Supply		Ø / V / Hz	1/208-230/60	1/208-230/60	
Power Factor		%	97.3	98.2	
Air Flow Rate	Indoor,Max	m3/min(CFM)	25(883)	25(883)	
	Outdoor,Max	m3/min(CFM)	60(2,119)	60(2,119)	
Moisture Removal		l/h.	4.6	4.8	
Sound Level	Indoor,H/M/L	dB(A)±3	48/44/39/37	49/44/39/37	
	Outdoor,Max	dB(A)±3	55	55	
Refrigerant & Charge (at 7.5 m)		g(oz)	R410A, 2,000(70.5)	R410A, 2,000(70.5)	
Additional Refrigerant charge		g/m(oz/ft)	35(0.38)	35(0.38)	
Compressor	Type		Twin Rotary	Twin Rotary	
	Model		GJT240DAA	GJT240DAA	
	Motor Type		Brushless DC Motor	Brushless DC Motor	
	Oil Type		PVE(FVD68C)	PVE(FVD68C)	
	Oil Charge	cc	900	900	
	O.L.P. name		-	-	
Fan(Indoor)	Type		Cross Flow Fan	Cross Flow Fan	
	Motor Output	W	BLDC	BLDC	
Fan(Outdoor)	Type		76.1	76.1	
	Motor Output	W	BLDC	BLDC	
Circuit Breaker*		A	124	124	
Power Supply Cable		No.*mm2	25	25	
Power and Transmission Cable No.*mm2		No.*mm2	3*2.5	3*2.5	
Piping Connections	Liquid Side	mm(in)	9.52(3/8)	9.52(3/8)	
	Gas Side	mm(in)	15.88(5/8)	15.88(5/8)	
Drain Hose(O.D / I.D.)		mm(in)	21.5 / 16.0(0.85 / 0.63)	21.5 / 16.0(0.85 / 0.63)	
Dimensions	Indoor (W*H*D)	mm	1209*346*205	1209*346*205	
		inch	47-5/8*13-5/8*8-1/16	47-5/8*13-5/8*8-1/16	
	Outdoor (W*H*D)	mm	870*800*320	870*800*320	
		inch	34-5/16*31-1/2*12-5/8	34-5/16*31-1/2*12-5/8	
Net Weight	Indoor	kg(lbs)	18(39.7)	18(39.7)	
	Outdoor	kg(lbs)	60(132.3)	60(132.3)	
Gross Weight	Indoor	kg(lbs)	20(44.1)	20(44.1)	
	Outdoor	kg(lbs)	64(141.1)	64(141.1)	
Operation Range	Cooling(Outdoor)	°C(°F)	-10~48(14~118.4)	-10~48(14~118.4)	
	Heating(Outdoor)	°C(°F)	-10~24(14.0~75.2)	-10~24(14.0~75.2)	
Piping Length (Min/Max)		m(ft)	- / 30(98.4)	- / 30(98.4)	
Chargeless		m(ft)	-	-	
Max. Elevation Difference		m(ft)	15(49.2)	15(49.2)	
Tool Code(Chassis)	Indoor + Outdoor		SD + UE1+	SD + UE1+	
Functions	Temperature Control		Thermistor	Thermistor	
	Allergy free filter		O	O	
	Plasma Filter		O	O	
	Prefilter(washable/anti-fungus)		O	O	
	Auto Clean		O	O	
	CHAOS Wind(Auto Wind)		O	O	
	Steps, Fan/Cool/Heat		3/4/3	3/4/3	
	Airflow Direction Control(up& Down)		Auto	Auto	
	Airflow Direction Control(left & right)		Auto	Auto	
	Remote Controller Type		Wireless LCD(EZ-Remocon)	Wireless LCD(EZ-Remocon)	
	Setting Temperature Range	Cooling		18°C ~ 30°C	18°C ~ 30°C
		Heating		16°C ~ 30°C	16°C ~ 30°C
	Auto Operation (Micom Control)		-	-	
	Auto Changeover (Micom Control)		O	O	
	Self Diagnosis		O	O	
	Timer		24h, On/Off	24h, On/Off	
	Sleep Operation		O	O	
	Soft Dry Operation		O	O	
	Restart Delay(minute)		3	3	
	Deice Control(Defrost)		O	O	
	Hot Start		O	O	
	Jet Cool		O	O	
	Low Ambient Operation		O	O	
	Special Function		-	-	

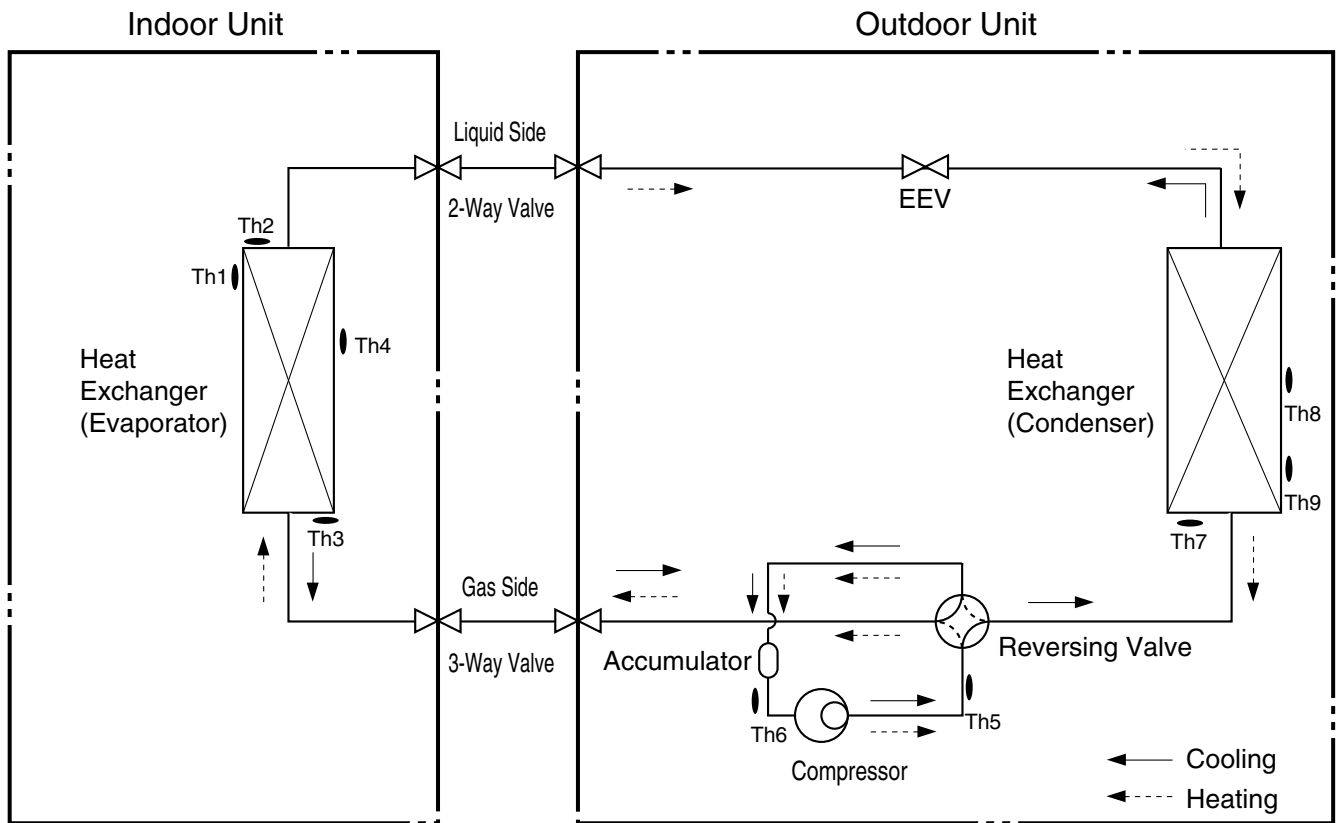
**Note :**

O : Applie, X : Not applied, - : No relation

• Filters are optional in some specific areas.

• For Circuit Breaker Rating, please conform to local standards whenever necessary.

## 2. Piping Diagrams

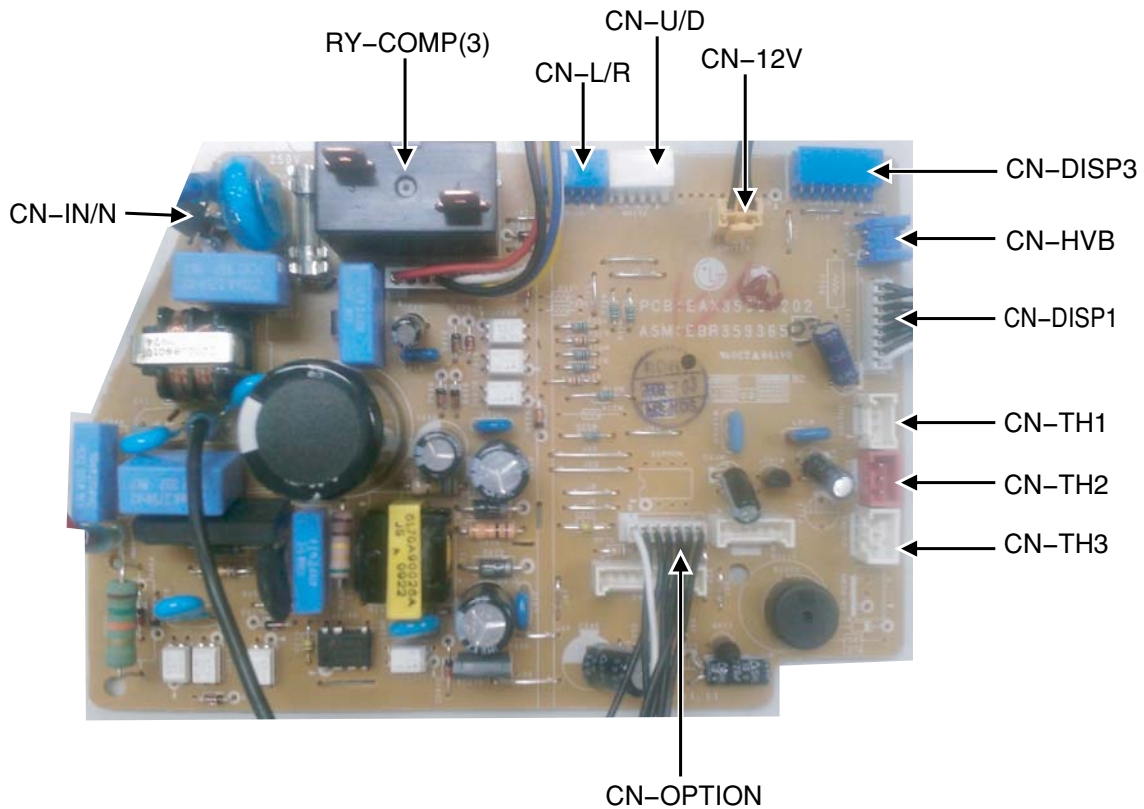
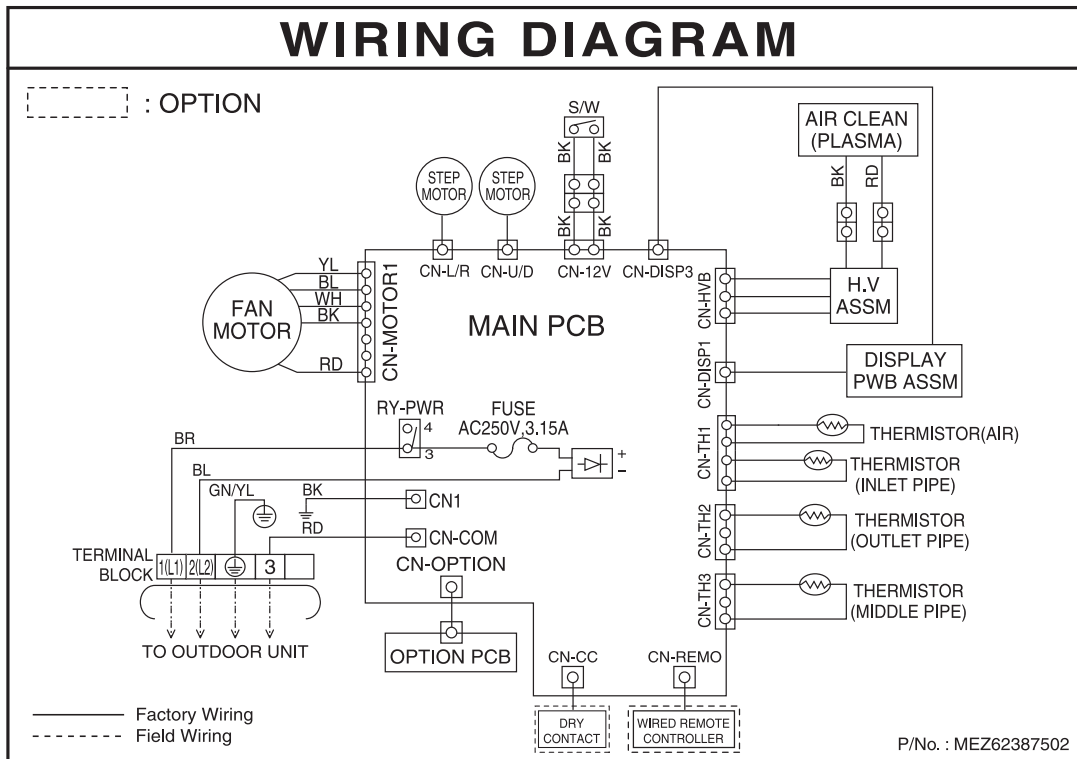


LOC.	Description	PCB Connector
Th1	Thermistor for suction air temperature	CN-TH1(Indoor)
Th2	Thermistor for evaporator inlet temperature	
Th3	Thermistor for evaporator outlet temperature	
Th4	Thermistor for evaporator middle temperature	
Th5	Thermistor for discharge pipe temperature	CN-TH3(OUTDOOR)
Th6	Thermistor for suction pipe temperature	
Th7	Thermistor for condensing temperature	CN-TH2(OUTDOOR)
Th8	Thermistor for outdoor air temperature	
Th9	Thermistor for condensing middle temperature	CN-TH4(OUTDOOR)

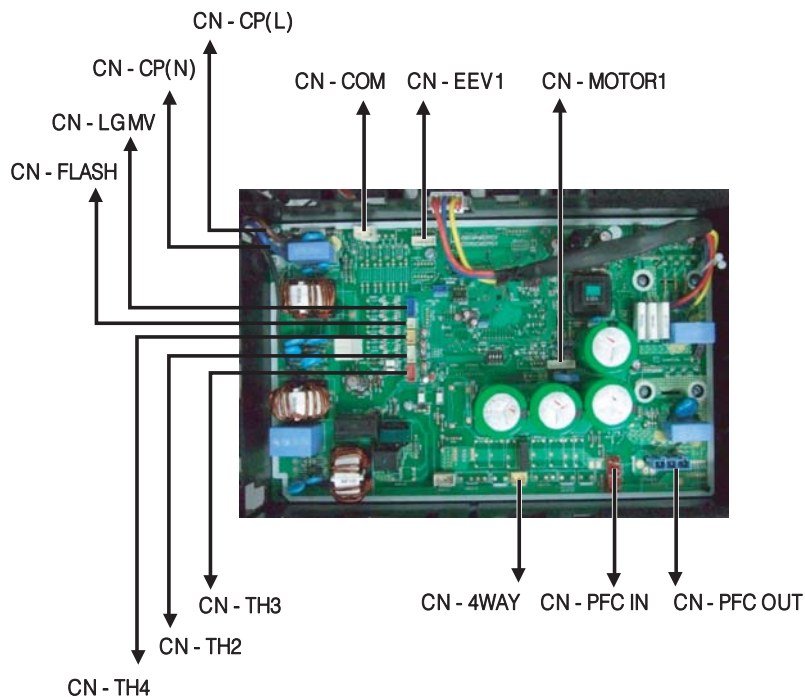
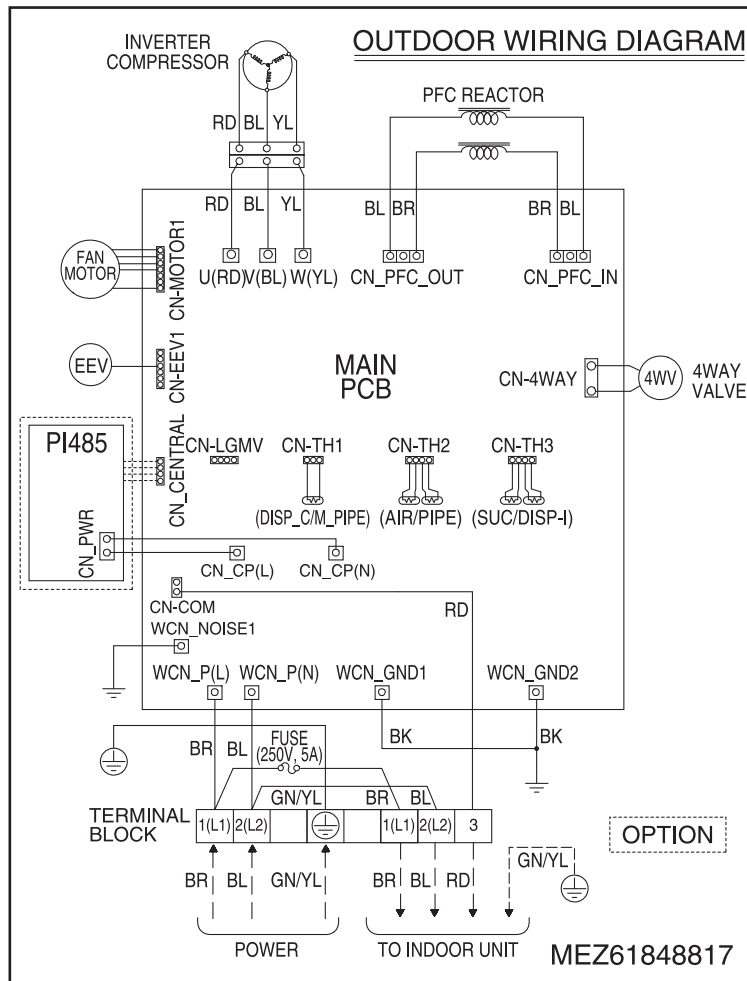
※ EEV : Electronic Expansion Valve

### 3. Wiring Diagrams

#### Indoor Unit

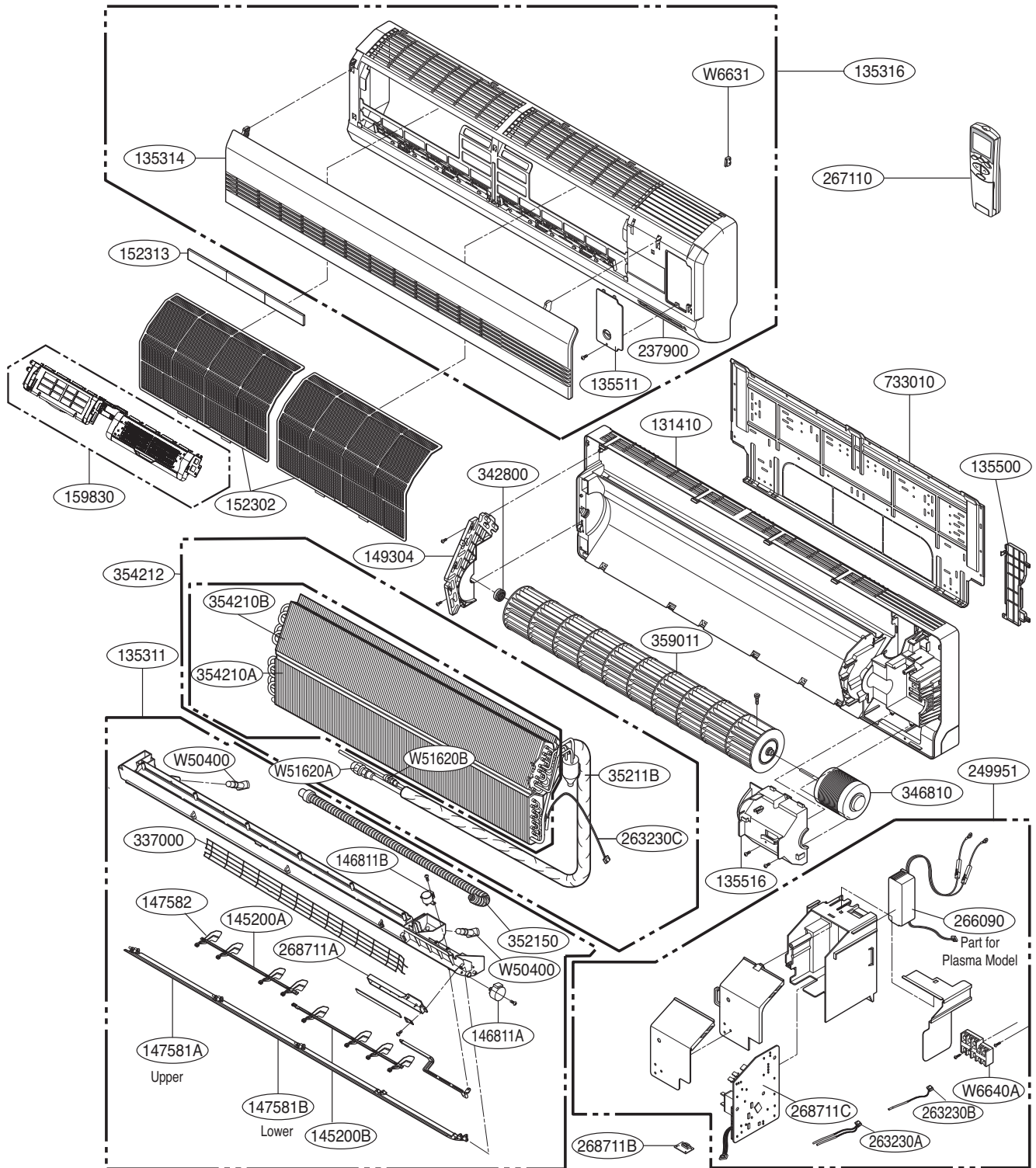


# Outdoor Unit



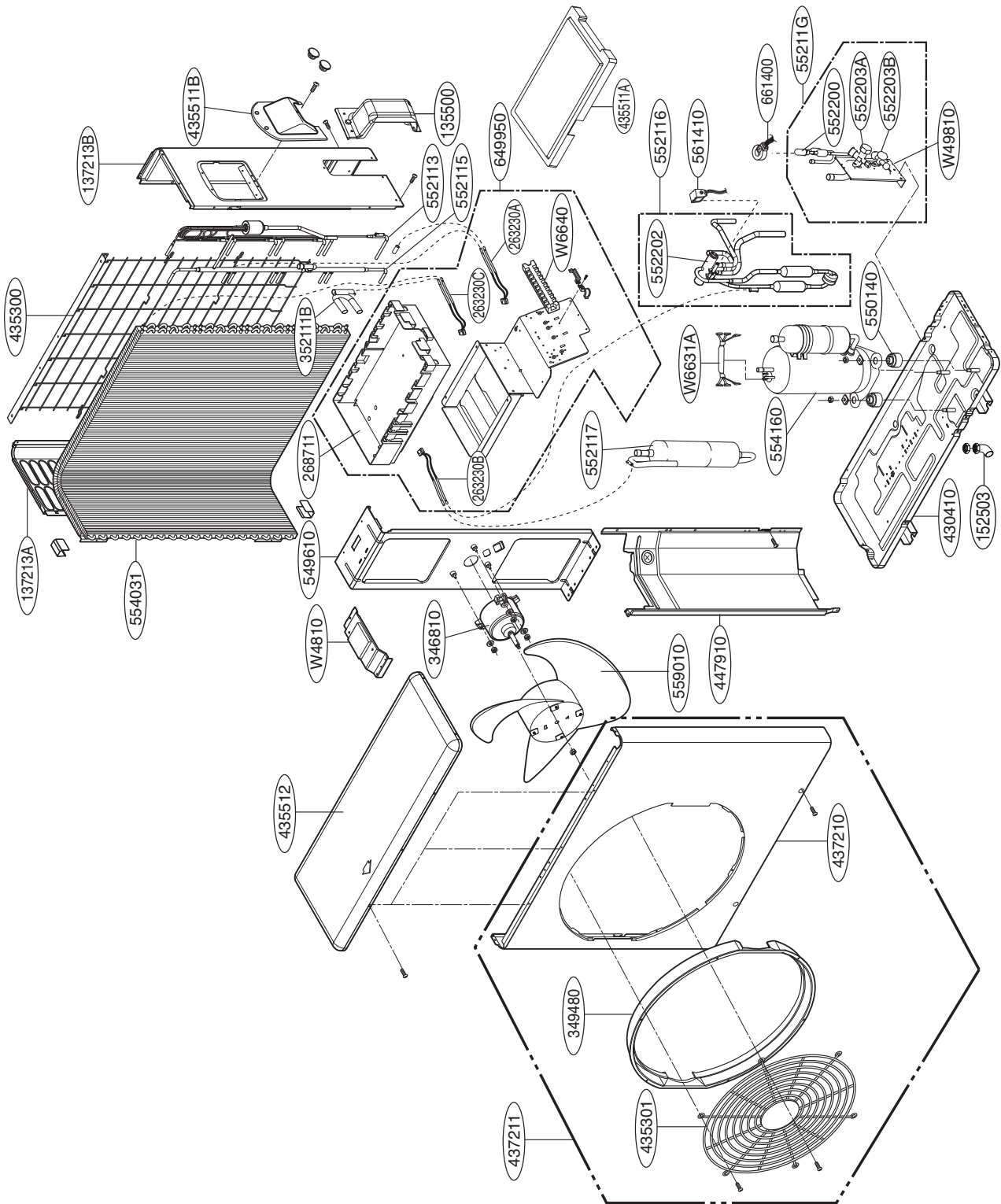
# Exploded View

## Indoor Unit



Note) \* Please ensure GCSC since the replacement parts may be changed depending upon the buyer's request.  
 Please check the correct parts in View RPL(Replacement Part List) on GCSC.  
 (GCSC Website <http://biz.Lgservice.com>.)

# Outdoor Unit





US	1. Please call the installing contractor of your product, as warranty service will be provided by them. 2. If you have service issues that have not been addressed by the contractor, please call 1-888-865-3026.
CANADA	Service call Number # : (888) LG Canada, (888) 542-2623

P/NO : MFL33984927

JULY, 2010