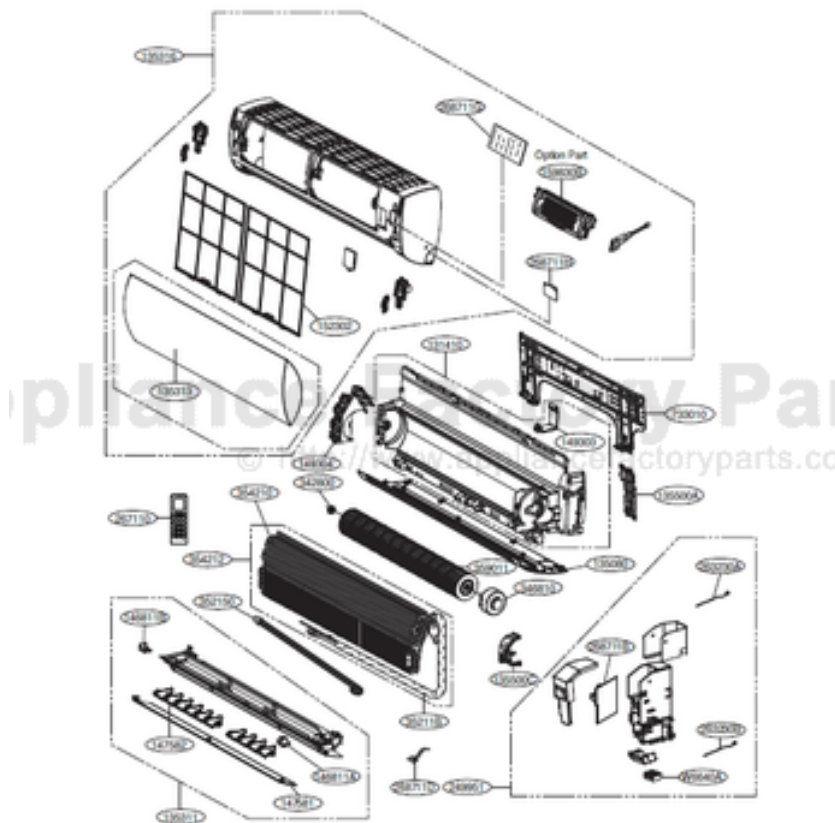


This Owner's Manual is provided and hosted by [Appliance Factory Parts](#).



LG LAN090HYV1 Owner's Manual

[Shop genuine replacement parts for LG LAN090HYV1](#)



[Find Your LG Air Conditioner Parts - Select From 2330 Models](#)

----- Manual continues below -----



Internal Use Only

<http://biz.lgservice.com>

Room Air Conditioner

SVC MANUAL(Exploded View)

**MODEL : AS-W093MMB7(LAN090HYV1/LAU090HYV1)
AS-W123MMB7(LAN120HYV1/LAU120HYV1)**

CAUTION

Before Servicing the unit, read the safety precautions in General SVC manual.
Only for authorized service personnel.

Product Specifications

Buyer Model (Indoor Unit / Outdoor unit)			LA-090HYV1 (LAN090HYV1 / LAU090HYV1)	LA-120HYV1 (LAN120HYV1 / LAU120HYV1)
Factory Model (Indoor Unit / Outdoor unit)	Unit		AS-W093MMB7 (ASNW093MMB7 / ASUW093MMB7)	AS-W123MMB7 (ASNW123MMB7 / ASUW123MMB7)
Cooling Capacity (Min ~ Rated ~ Max)	kW		0.30 ~ 2.64 ~ 3.80	0.30~3.22~4.04
	Btu/h		1,023 ~ 9,000 ~ 12,966	1,023~11,000~13,785
Heating Capacity (Min ~ Rated ~ Max)	kW		0.30 ~ 3.22 ~ 6.00	0.30~3.51~6.50
	Btu/h		1,023 ~ 11,000 ~ 20,472	1,023~12,000~22,178
Maximum Heating Capacity	Outdoor 17°F (Indoor 70°F)	Btu/h	11,935 (109%)	14,650 (122%)
	Outdoor 5°F (Indoor 70°F)	Btu/h	11,220 (102%)	13,720 (114%)
	Outdoor -13°F (Indoor 70°F)	Btu/h	7,920 (72%)	9,520 (79%)
Power Input	Cooling / Heating	W	575 / 710	800 / 750
Running Current	Cooling / Heating	A	2.7 / 3.3	3.7 / 3.5
Starting Current	Cooling / Heating	A	2.7 / 3.3	3.7 / 3.5
EER			15.65	13.75
SEER			27.5	25.5
COP			4.54	4.68
HSPF (IV / V) ^{a)}			12.00 / 10.43	12.00 / 10.43
Power Supply	Ø / V / Hz		1 / 208-230 / 60	1 / 208-230 / 60
Power Factor			92.5	94
Air Flow Rate	Indoor,Max/H/M/L	CFM(m ³ /min)	547 (15.5) / 494 (14.0) / 417 (11.8) / 283 (8.0)	547 (15.5) / 494 (14.0) / 417 (11.8) / 283 (8.0)
	Outdoor,Max	CFM(m ³ /min)	1,165 (33)	1,165 (33)
Moisture Removal	pts/h (l/h)		3.2 (1.5)	3.6 (1.7)
Sound Level	Indoor,H/M/L/SL (Cooling)	dB(A)+3	42 / 36 / 25 / 17	42 / 36 / 25 / 17
	Indoor,H/M/L (Heating)	dB(A)+3	42 / 36 / 25	42 / 36 / 25
	Outdoor,Max	dB(A)+3	45	45
Compressor	Type	-	Twin Rotary	Twin Rotary
	Model	-	DA128A1F	DA128A1F
	Motor Type	-	Brushless DC Motor	Brushless DC Motor
	Oil Type	-	VG74	VG74
	Oil Charge	cc	450	450
O.L.P. name	-	-	-	
Fan(Indoor)	Type	-	Cross Flow Fan	Cross Flow Fan
	Motor Output	W	30	30
Fan(Outdoor)	Type	-	Propeller Fan	Propeller Fan
	Motor Type	-	BLDC	BLDC
Motor Output	W	43	43	
Circuit Breaker*	A		15	15
Power Supply Cable	No. x AWG		3 x 14	3 x 14
Power and Transmission Cable	No. x AWG		4 x 18	4 x 18
Piping Connections	Liquid Side	in (mm)	Ø 1/4 (6.35)	Ø 1/4 (6.35)
	Gas Side	in (mm)	Ø 3/8 (9.52)	Ø 3/8 (9.52)
Drain Hose(O.D. , I.D.)	in (mm)		27/32, 5/8 (21.5, 16.0)	27/32, 5/8 (21.5, 16.0)
Dimensions	Indoor (W x H x D)	mm	875 x 295 x 235	875 x 295 x 235
		inch	34-7/16 x 11-5/8 x 9-1/4	34-7/16 x 11-5/8 x 9-1/4
	Outdoor (W x H x D)	mm	770 x 545 x 288	770 x 545 x 288
		inch	30-5/16 x 21-1/2 x 11-5/16	30-5/16 x 21-1/2 x 11-5/16
Net Weight	Indoor	lbs (kg)	24 (10.9)	24 (10.9)
	Outdoor	lbs (kg)	76.9 (34.9)	76.9 (34.9)
Gross Weight	Indoor	lbs (kg)	29.5 (13.4)	29.5 (13.4)
	Outdoor	lbs (kg)	81.8 (37.1)	81.8 (37.1)
Operation Range	Cooling (Outdoor)	°F(°C) DB	14 ~ 118 (-10 ~ 48)	14 ~ 118 (-10 ~ 48)
	Heating (Outdoor)	°F(°C) WB	-13 ~ 75.2 (-25 ~ 24)	-13 ~ 75.2 (-25 ~ 24)
Refrigerant & Charge	oz (g)		R410A / 40.6 (1,150)	R410A / 40.6 (1,150)
Additional Refrigerant Charge	oz/ft (g/m)		0.22 (20)	0.22 (20)
Piping Length (Min/Max)	ft (m)		6.6 (2) / 65.6 (20)	6.6 (2) / 65.6 (20)
Chargeless	ft (m)		41 (12.5)	41 (12.5)
Max. Elevation Difference	ft (m)		32.8 (10)	32.8 (10)
Tool Code(Chassis)	Indoor + Outdoor		SM + UL2	SM + UL2
Functions	Temperature Control		Thermistor	Thermistor
	Allergy free filter		-	-
	Plasma Filter		-	-
	Prefilter (Washable/Anti-fungus)		0	0
	3M Micro Protection filter		0	0
	Auto Clean		0	0
	CHAOS Wind(Auto Wind)		0	0
	Steps, Fan/Cool/Heat		6 / 6 / 6	6 / 6 / 6
	Airflow Direction Control(Up& Down)		Auto	Auto
	Airflow Direction Control(Left & Right)		Auto	Auto
	Remote Controller Type		Wireless LCD	Wireless LCD
	Setting Temperature Range	Cooling[°F (°C)]	64~86 (18~30)	64~86 (18~30)
		Heating[°F (°C)]	60~86 (16~30)	60~86 (16~30)
	Auto Operation (Micom Control)		0	0
	Auto Changeover (Micom Control)		0	0
	Self Diagnosis		0	0
	Timer		24h, On/Off	24h, On/Off
	Sleep Operation		0	0
	Soft Dry Operation		0	0
	Restart Delay (Minute)		3	3
	Deice Control (Defrost)		0	0
	Hot Start		0	0
	Jet Cool / Jet Heat		0	0
	Low Ambient Operation		0	0
	Special Function		Wi-Fi, Water Level sensor, Cooling Only switch	Wi-Fi, Water Level sensor, Cooling Only switch

Note :

○ : Applied, X : No relation, - : No relation

• Filters are optional in some specific areas.

• For Circuit Breaker Rating, please conform to local standards whenever necessary.

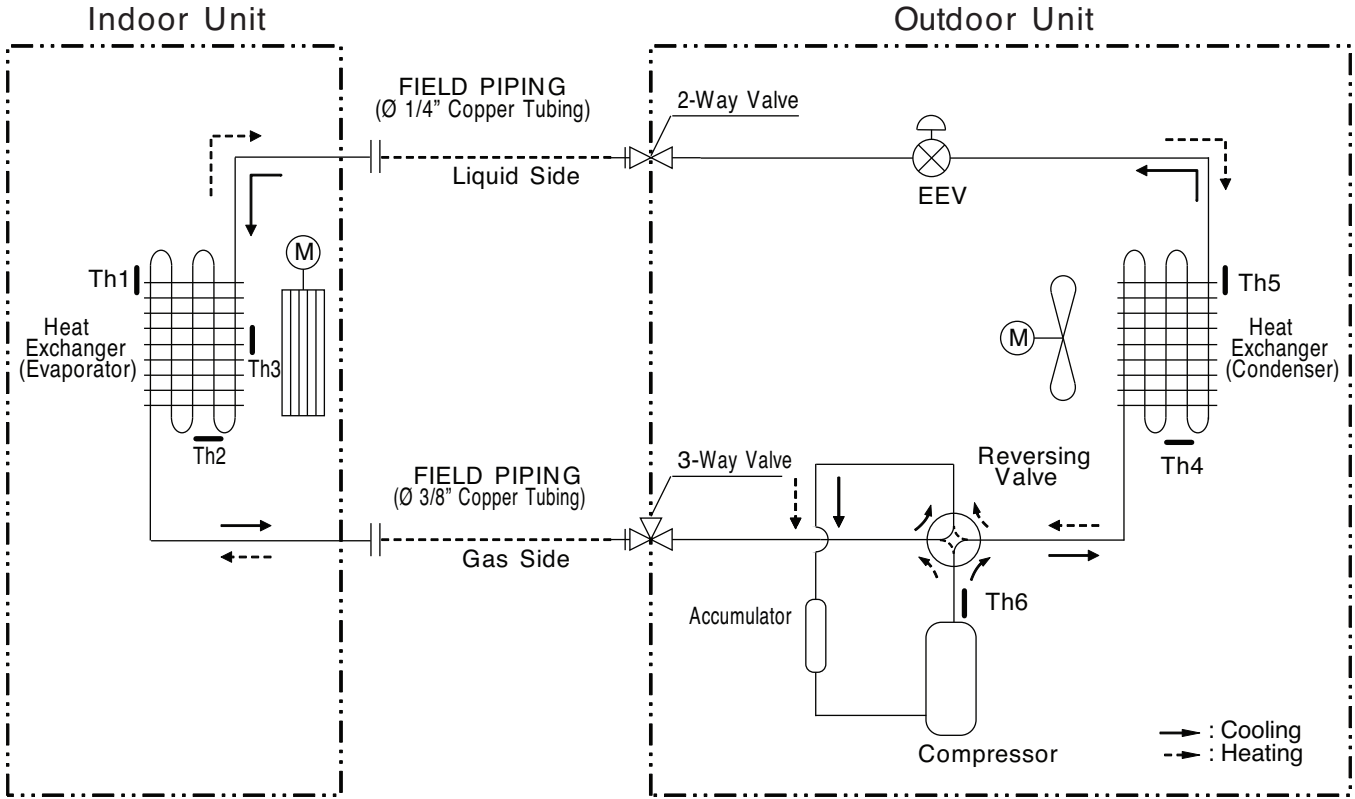
• If you use Wi-Fi, Wi-Fi module must be purchased separately.

a) HSPF Region V = HSPF Region IV / 1.15

- HSPF IV values comply with US standard.

- HSPF V values comply with Canada standard.

2. Piping Diagrams

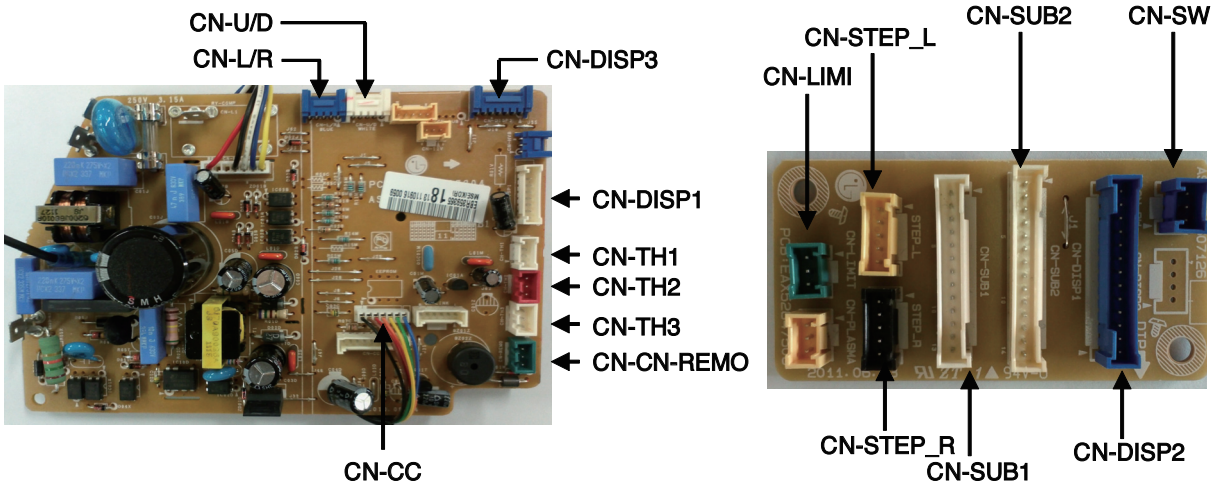
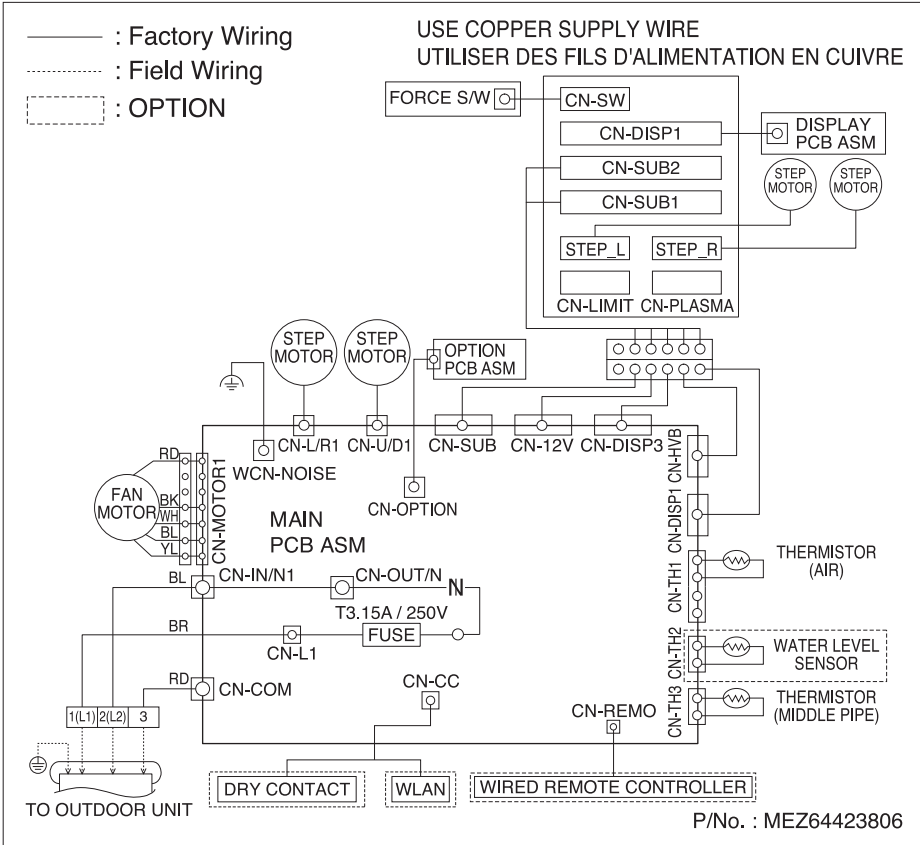


Loc.	Description	PCB Connector
Th1	Thermistor for suction air temperature	CN-TH1 (Indoor)
Th2	Water level sensor (Option)	CN-TH2 (Indoor)
Th3	Thermistor for evaporator middle temperature	CN-TH3 (Indoor)
Th4	Thermistor for condensing temperature	CN-TH1 (Outdoor)
Th5	Thermistor for outdoor air temperature	
Th6	Thermistor for discharge pipe temperature	CN-TH2 (Outdoor)

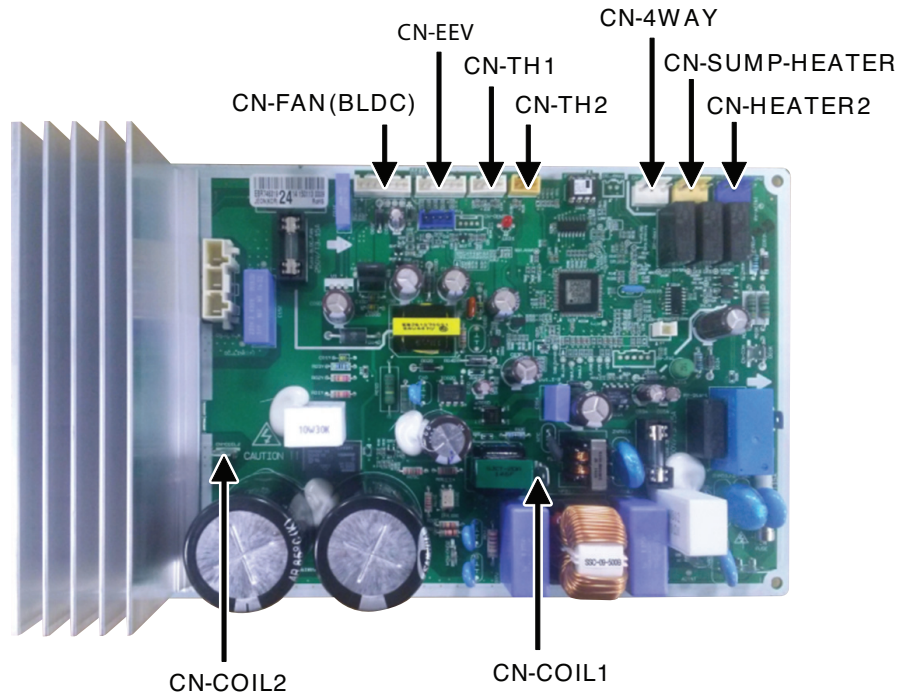
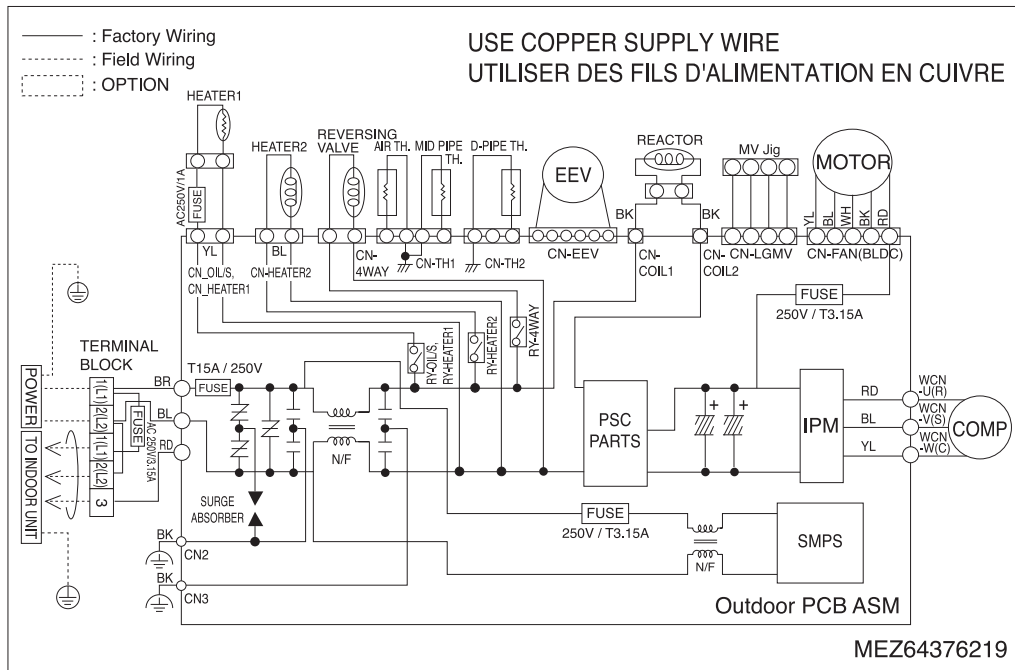
※ EEV : Electronic Expansion Valve

3. Wiring Diagrams

Indoor Unit

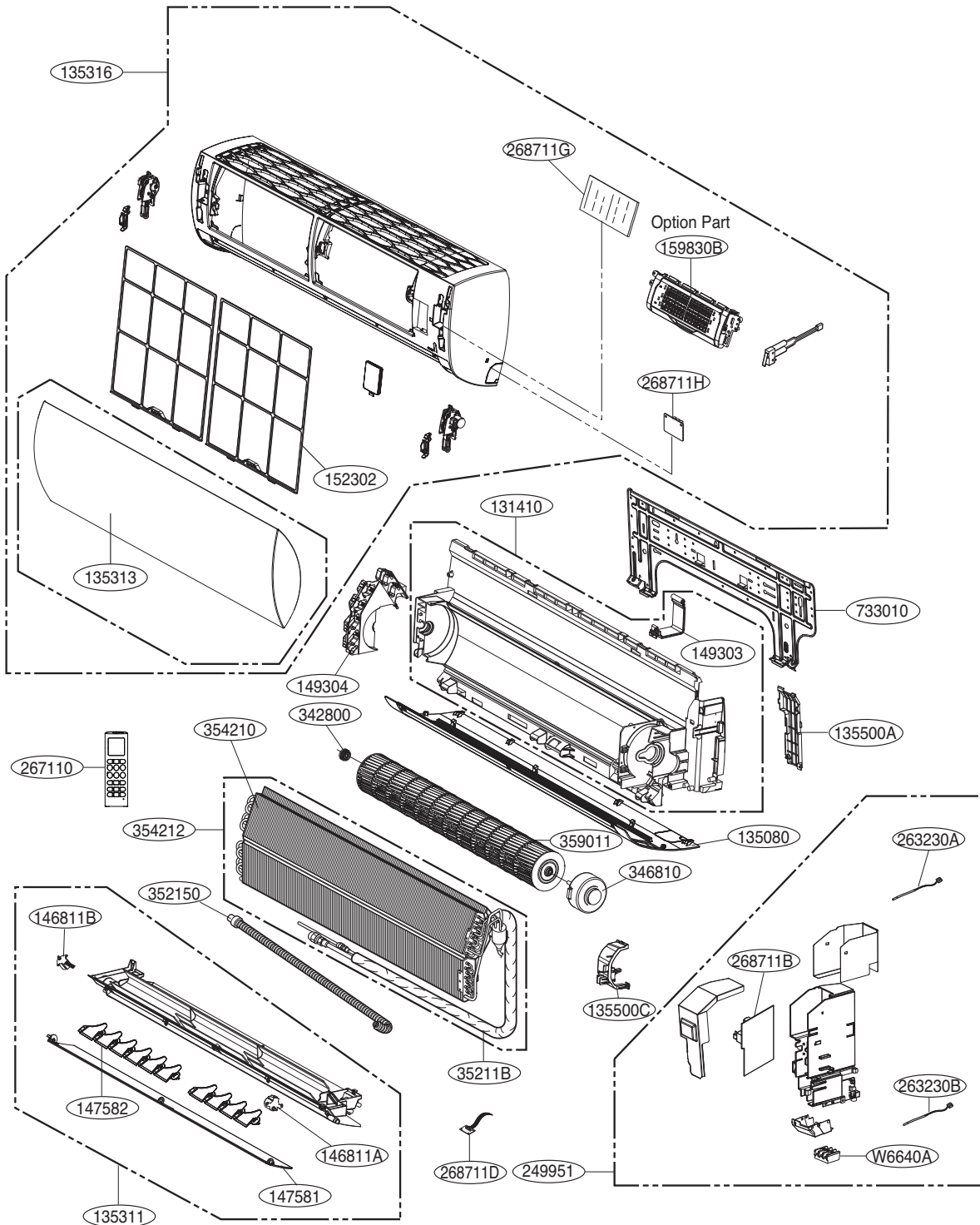


Outdoor Unit



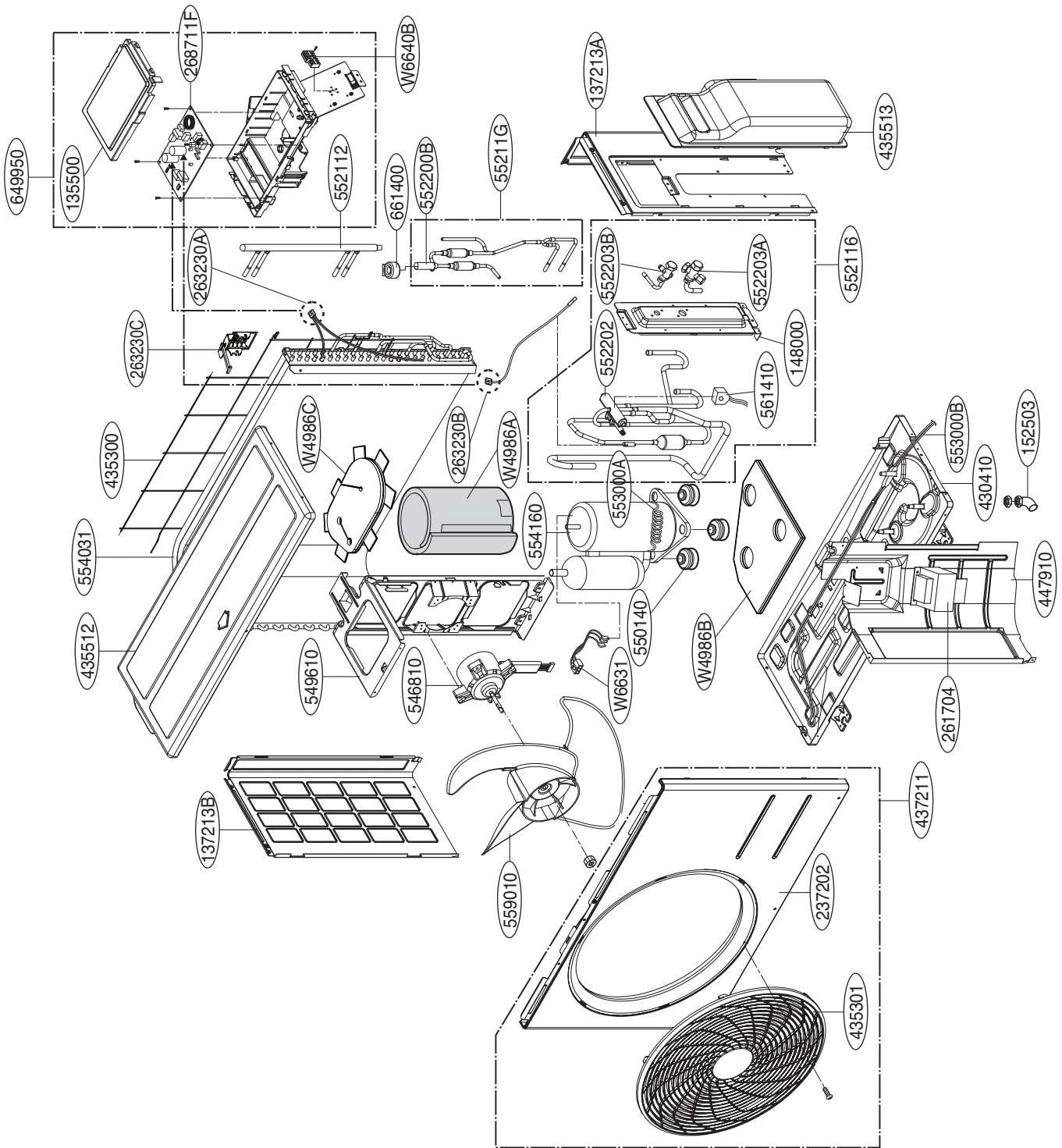
Exploded View

Indoor Unit



LOC.	Description
263230A	Thermistor for suction air temperature
263230B	Thermistor for evaporator middle temperature

Outdoor Unit



LOC.	Description
263230A	Thermistor for suction air temperature
	Thermistor for condenser inlet temperature
263230B	Thermistor for discharge pipe temperature



US	1. Please call the installing contractor of your product, as warranty service will be provided by them. 2. If you have service issues that have not been addressed by the contractor, please call 1-888-865-3026.
CANADA	Service call Number # : (888) LG Canada, (888) 542-2623

P/NO : MFL67501920

Jan, 2015