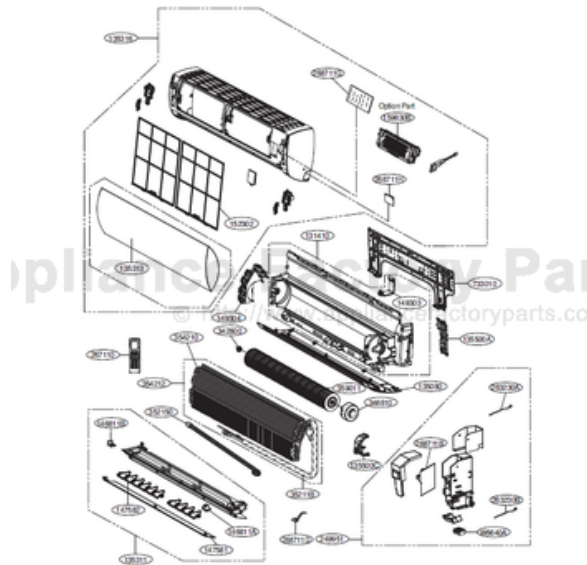


This Owner's Manual is provided and hosted by [Appliance Factory Parts](#).



LG LAN120HYV Owner's Manual

[Shop genuine replacement parts for LG LAN120HYV](#)



[Find Your LG Air Conditioner Parts - Select From 2330 Models](#)

----- Manual continues below -----



Internal Use Only

<http://biz.lgservice.com>

Room Air Conditioner

SVC MANUAL(Exploded View)

**MODEL : AS-W093MMB8(LAN090HYV/LAU090HYV)
AS-W123MMB8(LAN120HYV/LAU120HYV)**

CAUTION

Before Servicing the unit, read the safety precautions in General SVC manual.
Only for authorized service personnel.

Product Specifications

Models		Unit	AS-W093MMB8	AS-W123MMB8	
Cooling Capacity		kW	0.30~2.64~3.80	0.30~3.51~4.04	
		Btu/h.	1,023~9,000~12,966	1,023~12,000~13,785	
Heating Capacity		kW	0.30~3.22~6.50	0.30~3.98~6.80	
		Btu/h.	1,023~11,000~20,472	1,023~13,600~23,202	
Power Input	Cooling/Heating	W	562/700	850/860	
Running Current	Cooling/Heating	A	2.7/3.2	3.9/4.0	
Starting Current	Cooling/Heating	A	2.7/3.2	3.9/4.0	
EER		W/W	4.69	4.14	
		Btu/h.W	16.01	14.12	
SEER			27.5	25.5	
HSPF			11.8	11.5	
Power Supply		Ø / V / Hz	1/208-230/60	1/208-230/60	
Power Factor		%	94	95	
Air Flow Rate	Indoor,Max	m³/min(CFM)	15.5(547)	15.5(547)	
	Outdoor,Max	m³/min(CFM)	33(1,165)	33(1,165)	
Moisture Removal		l/h.	1.5(3.3)	1.7(3.7)	
Sound Level	Indoor,H/M/L/Sleep	dB(A)±3	42/36/25/17	42/36/25/17	
	Outdoor,Max	dB(A)±3	45	45	
Refrigerant & Charge (at 7.5 m)		g(oz)	R410A, 1,150(40.6)	R410A, 1,150(40.6)	
Additional Refrigerant charge		g/m(oz/ft)	20(0.22)	20(0.22)	
Compressor	Type		Twin Rotary	Twin Rotary	
	Model		DA128A1F	DA128A1F	
	Motor Type		Brushless DC Motor	Brushless DC Motor	
	Oil Type		VG74	VG74	
	Oil Charge	cc	450	450	
O.L.P. name		-	-		
Fan(Indoor)	Type		Cross Flow Fan	Cross Flow Fan	
	Motor Output	W	20	20	
Fan(Outdoor)	Type		Propeller, Fan	Propeller, Fan	
	Motor Type		BLDC	BLDC	
	Motor Output	W	43	43	
Circuit Breaker*		A	15	15	
Power Supply Cable		No.*mm²	3*1.0	3*1.0	
Power and Transmission Cable No.*mm2		No.*mm²	4*1.0 (Including Earth)	4*1.0 (Including Earth)	
Piping Connections	Liquid Side	mm(in)	6.35(1/4)	6.35(1/4)	
	Gas Side	mm(in)	9.52(3/8)	9.52(3/8)	
Drain Hose(O.D / I.D.)		mm(in)	21.5 / 16.0(0.85 / 0.63)	21.5 / 16.0(0.85 / 0.63)	
Dimensions	Indoor (W*H*D)	mm	875*295*235	875*295*235	
		inch	34.4*11.6*9.25	34.4*11.6*9.25	
	Outdoor (W*H*D)	mm	770*545*288	770*545*288	
		inch	30.3*21.5*11.3	30.3*21.5*11.3	
Net Weight	Indoor	kg(lbs)	11.0(24.25)	11.0(24.25)	
	Outdoor	kg(lbs)	33.0(72.75)	33.0(72.75)	
Gross Weight	Indoor	kg(lbs)	13.0(28.6)	13(28.6)	
	Outdoor	kg(lbs)	35.0(77.16)	35.0(77.16)	
Operation Range	Cooling(Outdoor)	°C(°F)	-10~48(14~118.4)	-10~48(14~118.4)	
	Heating(Outdoor)	°C(°F)	-25 ~ 24 (-13 ~ 75.2)	-25 ~ 24 (-13 ~ 75.2)	
Piping Length (Min/Max)		m(ft)	2(6.6) / 20(65.6)	2(6.6) / 20(65.6)	
Chargeless		m(ft)	12.5(41)	12.5(41)	
Max. Elevation Difference		m(ft)	10(32.8)	10(32.8)	
Tool Code(Chassis)	Indoor + Outdoor		SM + UL2	SM + UL2	
Functions	Temperature Control		Thermistor	Thermistor	
	Allergy free filter		-	-	
	Plasma Filter		-	-	
	Prefilter(washable/anti-fungus)		O	O	
	3M HAF Filter		O	O	
	Auto Clean		O	O	
	CHAOS Wind(Auto Wind)		O	O	
	Steps, Fan/Cool/Heat		5/6/6	5/6/6	
	Airflow Direction Control(up& Down)		5Step	5Step	
	Airflow Direction Control(left & right)		6Step	6Step	
	Remote Controller Type		Better	Better	
	Setting Temperature	Cooling		18°C ~ 30°C	18°C ~ 30°C
		Heating		16°C ~ 30°C	16°C ~ 30°C
	Range				
	Auto Operation (Micom Control)			-	
	Auto Changeover (Micom Control)			O	
	Self Diagnosis			O	
	Timer			24h, On/Off	
	Sleep Operation			O	
	Soft Dry Operation			O	
	Restart Delay(minute)			3	
	Deice Control(Defrost)			O	
	Hot Start			O	
	Jet Cool			O	
	Low Ambient Operation			O	
	Wi-Fi(Optional)			O	
	Special Function			Water Lever Sensor, Cooling Only Switch, WLAN	

Note:

O : Applied, - : No relation

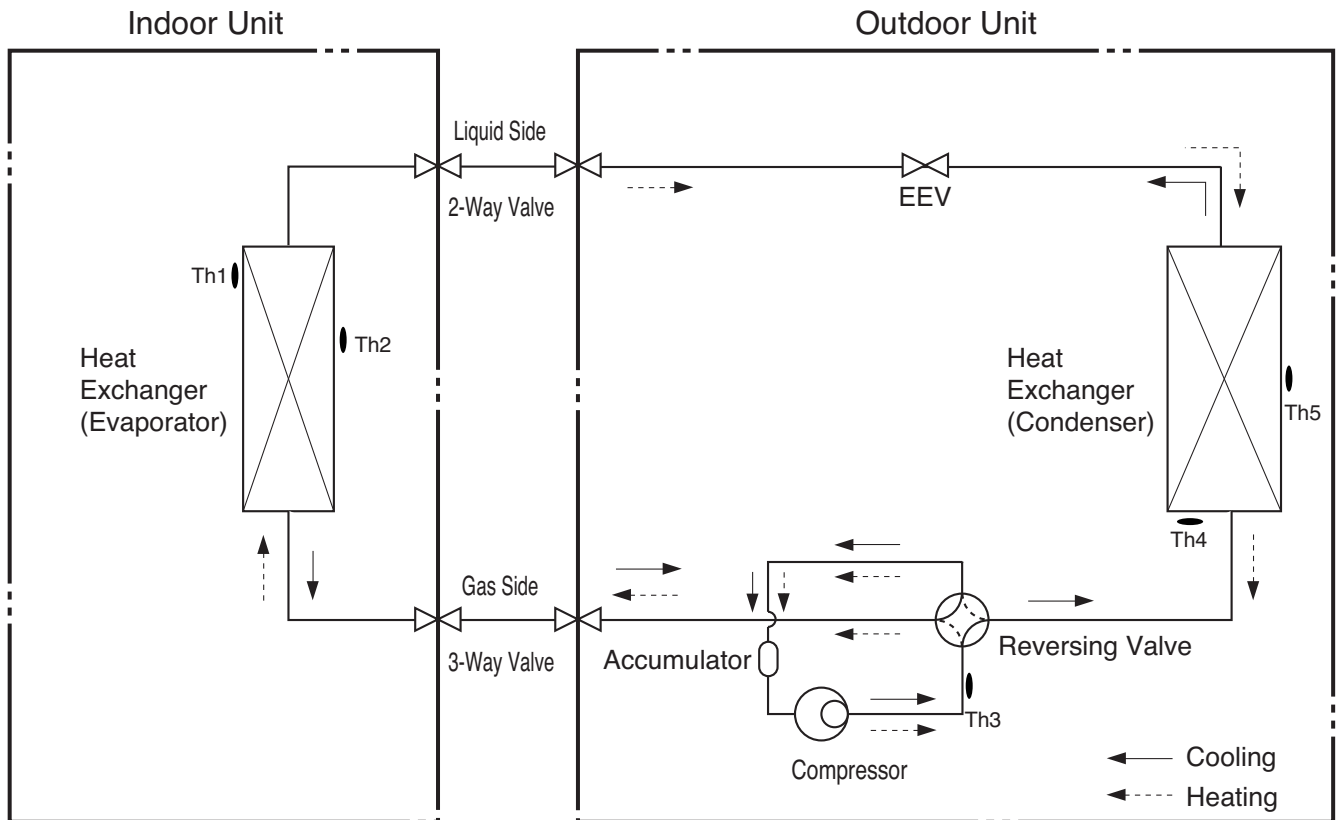
* For circuit breaker rating, please conform to local standards wherever necessary.

* If you use WLAN, WLAN must be purchased separately.

* Some of functions are slightly different depending upon models.

* The specification may be subject to change without notice for purpose of improvement.

2. Piping Diagrams

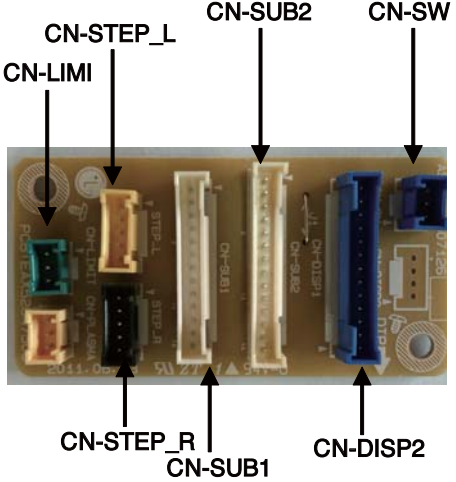
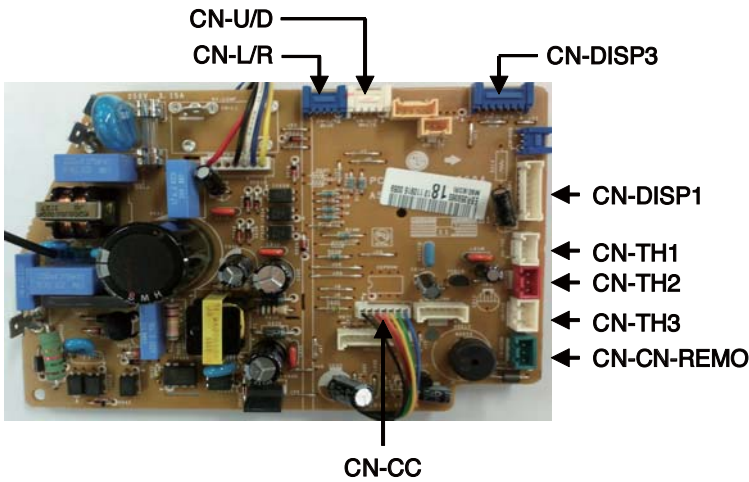
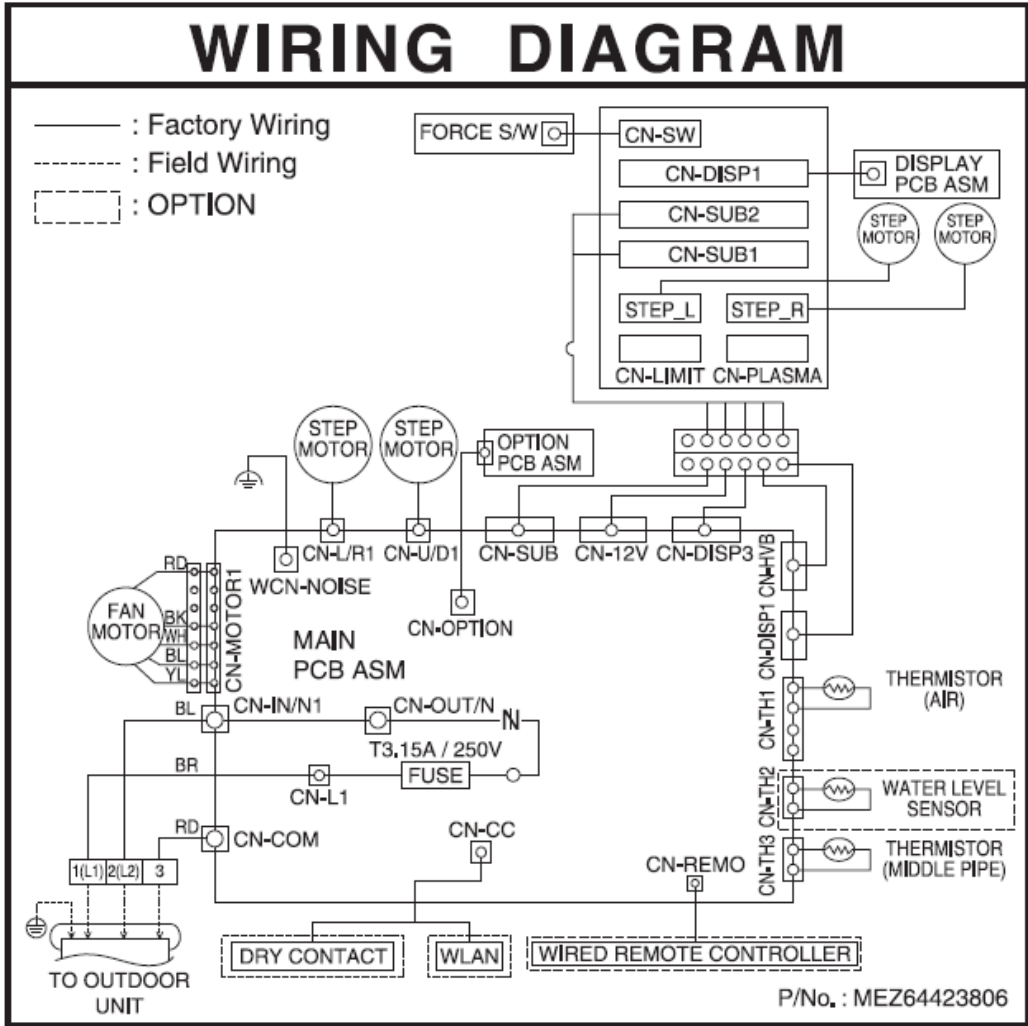


LOC.	Description	PCB Connector
Th1	Thermistor for suction air temperature	CN-TH1(Indoor)
Th2	Th4Thermistor for evaporator middle temperature	CN-TH3(Indoor)
Th3	Thermistor for discharge pipe temperature	CN-TH2(OUTDOOR)
Th4	Thermistor for condensing temperature	CN-TH1(OUTDOOR)
Th5	Thermistor for outdoor air temperature	CN-TH1(OUTDOOR)

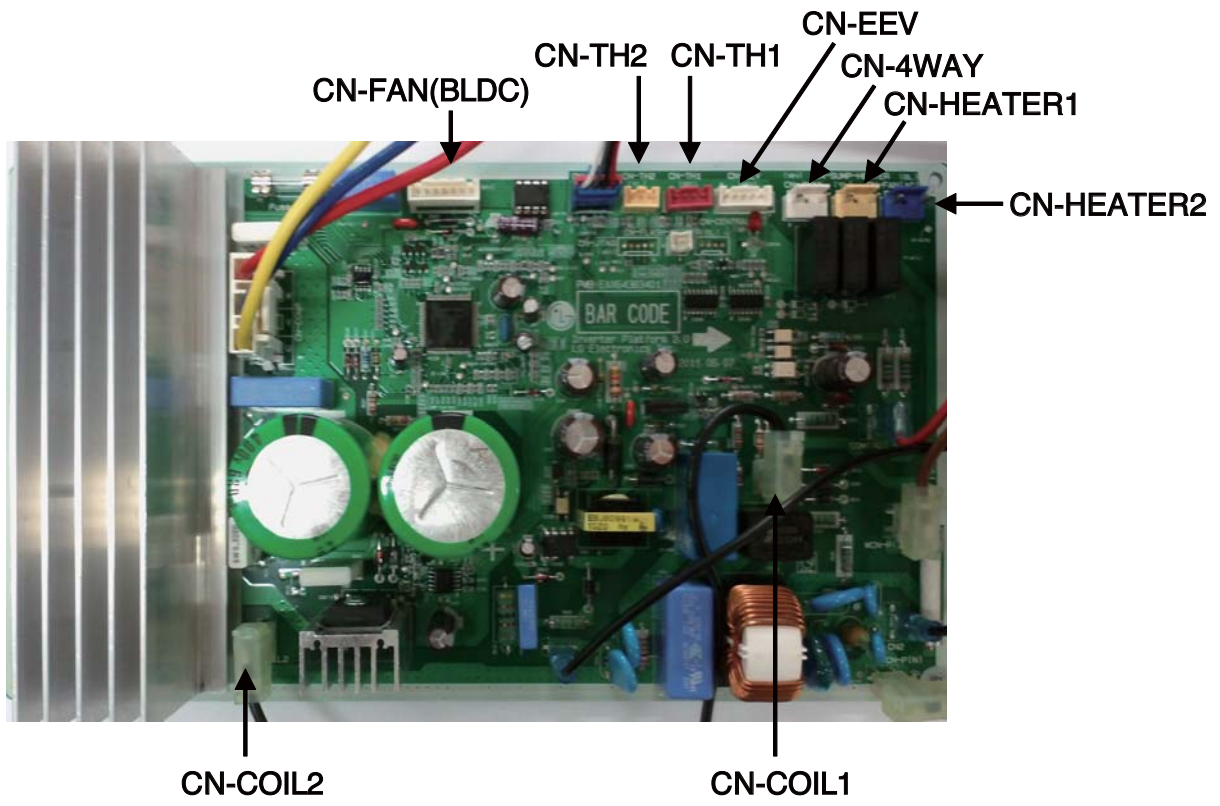
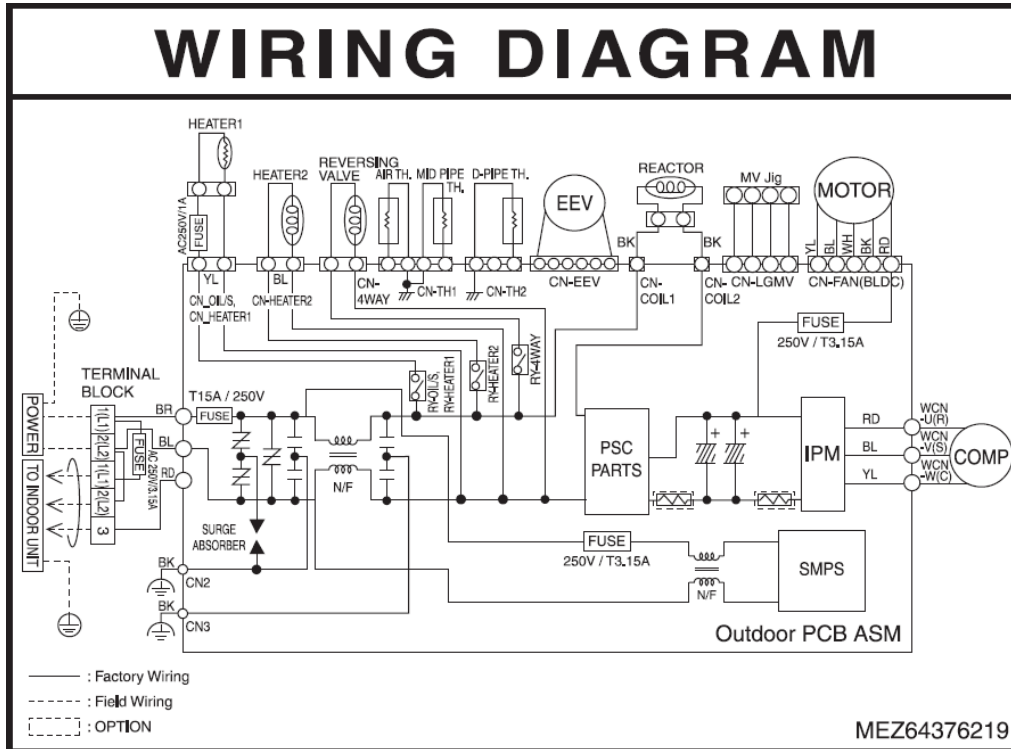
※ EEV : Electronic Expansion Valve

3. Wiring Diagrams

Indoor Unit

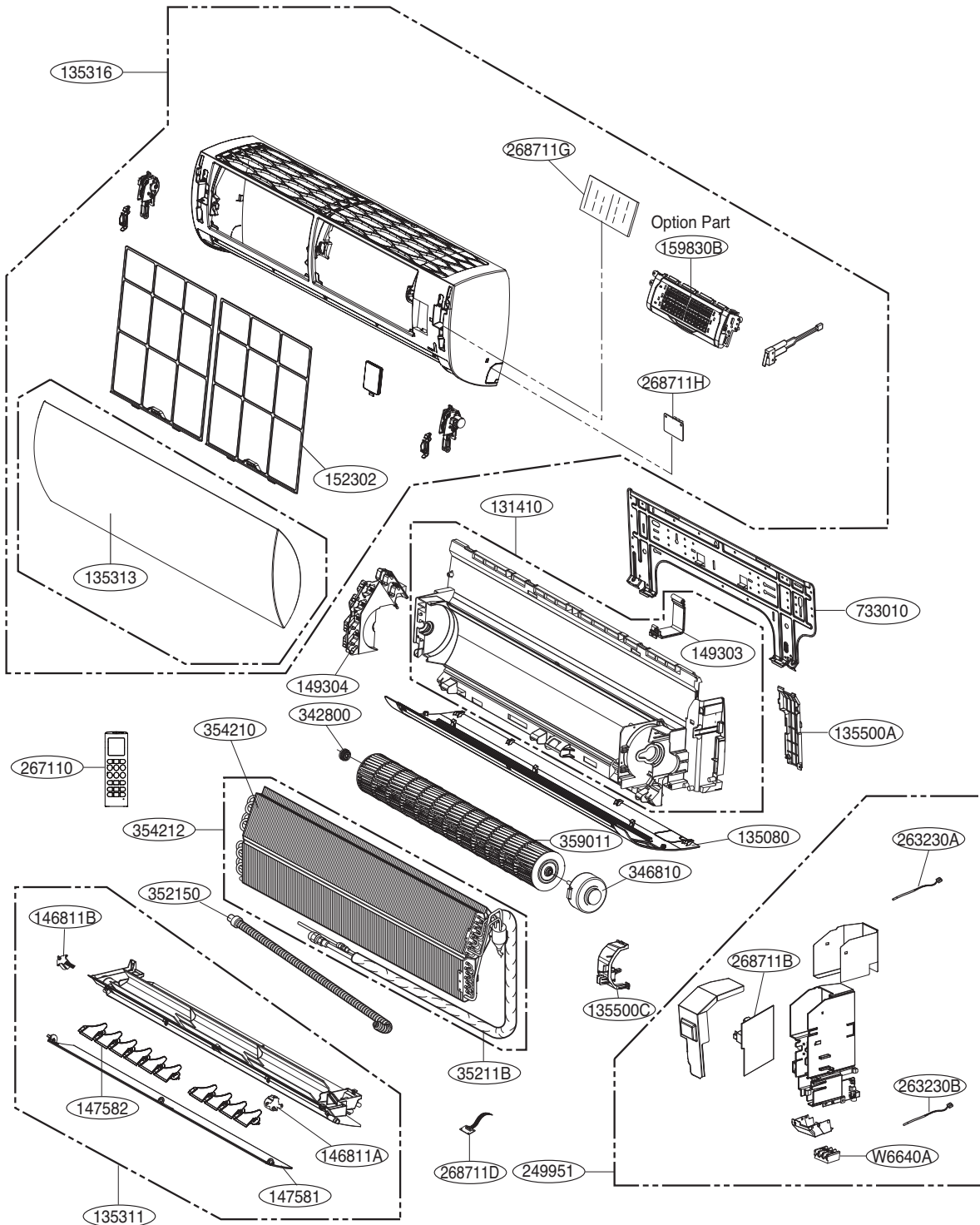


Outdoor Unit



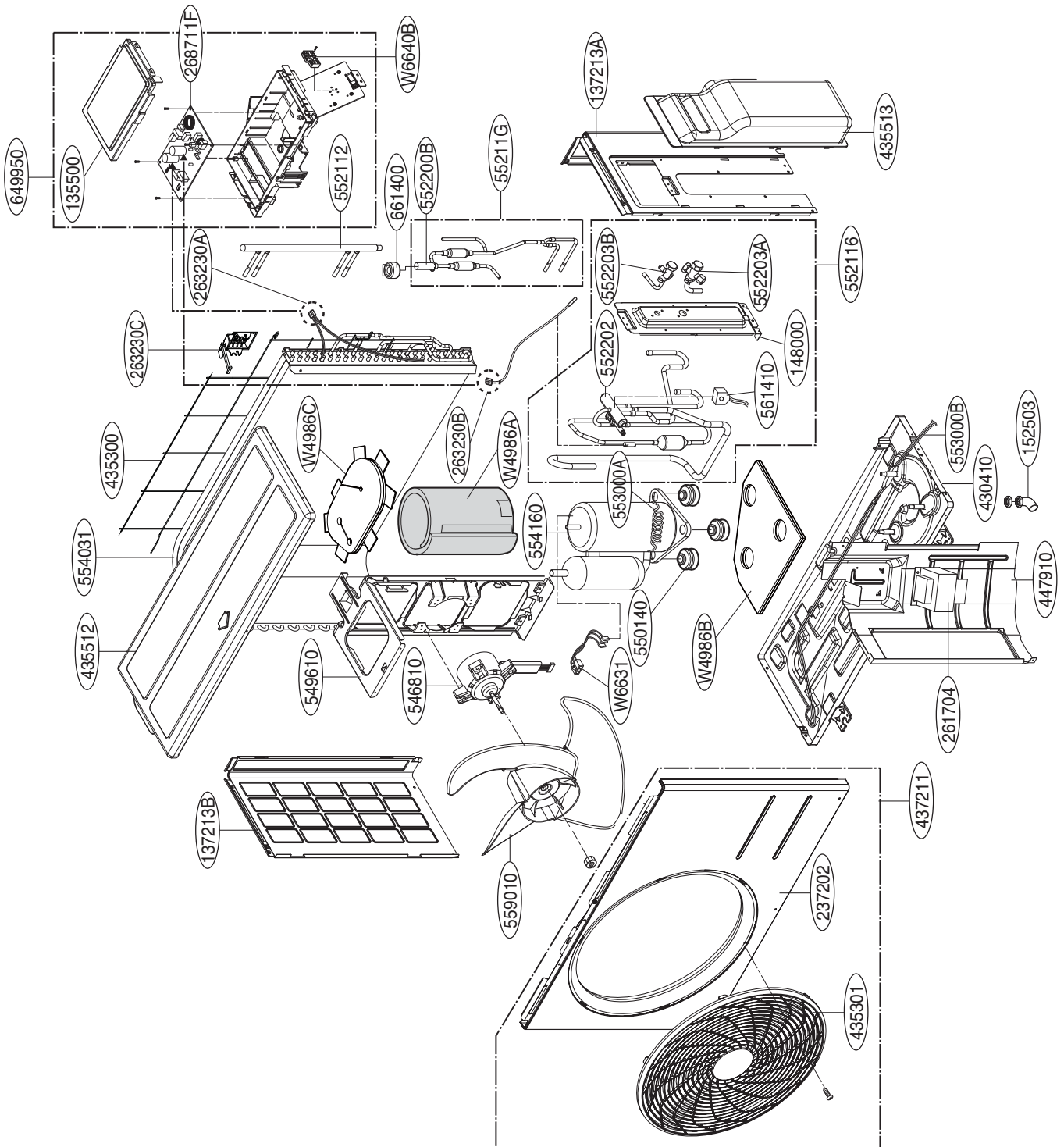
Exploded View

Indoor Unit



LOC.	Description
263230A	Thermistor for suction air temperature
263230B	Thermistor for evaporator middle temperature

Outdoor Unit



LOC.	Description
263230A	Thermistor for suction air temperature
	Thermistor for condenser inlet temperature
263230B	Thermistor for discharge pipe temperature



US	1. Please call the installing contractor of your product, as warranty service will be provided by them. 2. If you have service issues that have not been addressed by the contractor, please call 1-888-865-3026.
CANADA	Service call Number # : (888) LG Canada, (888) 542-2623

P/NO : MFL67501905

July, 2013