



Internal Use Only

<http://biz.lgservice.com>

Air Conditioner

SVC MANUAL(Exploded View)

Type : Vertical Air Handling Unit

**MODEL : AMNW24GNJA0 [LMVN240HV]
AMNW36GNJA0 [LMVN360HV]**

CAUTION

Before Servicing the unit, read the safety precautions in General SVC manual.
Only for authorized service personnel.

1. Specification

Model Name			AMNW24GNJA0 [LMVN240HV]	AMNW36GNJA0 [LMVN360HV]
Power Supply		V, Ø, Hz	208/230, 1, 60 220, 1, 60	208/230, 1, 60 220, 1, 60
Capacity	Nominal	kW Class	7.03	10.6
	Nominal	Btu/h Class	24,000	36,000
Casing Color		-	Morning fog	Morning fog
Dimensions	Body	W x H x D	mm	457 x 1236 x 540
		W x H x D	inch	18 x 48-21/32 x 21-1/4
Net Weight	Body	kg (lbs)	53 (117)	55 (121)
Heat Exchanger	(Row x Column x Fins per inch) x No.		-	(2 x 24 x 18) x 2
	Face Area		m ² (ft ²)	0.22 (2.37) x 2
Fan	Type		-	Sirocco Fan
	Air Flow Rate (0.3 inch)	H / M / L	ft ³ /min	20.1 / 18.1 / 13.6
		H / M / L	ft ³ /min	710 / 640 / 480
	Air Flow Rate (0.5 inch)	H / M / L	ft ³ /min	20.1 / 18.1 / 13.6
H / M / L		ft ³ /min	710 / 640 / 480	
Fan Motor	Type		-	BLDC
	Output		W x No.	96 x 1
	Running Current		A	0.59
Sound Pressure Level (0.3 inch ESP)	H / M / L	dB(A)	43 / 42 / 41	45 / 44 / 43
Sound Power Level	Cooling	dB(A)	-	-
Piping Connections	Liquid		mm(inch)	6.35 (1/4)
	Gas		mm(inch)	12.7 (1/2)
	Drain_Primary (I.D.)		mm(inch)	19.05 (3/4FPT)
	Drain_Secondary (I.D.)		mm(inch)	19.05 (3/4FPT)
Air Filter		-	-	-
Safety Devices		-	Fuse	Fuse
		-	Thermal Protector for Fan Motor	Thermal Protector for Fan Motor
Power and Communication Cable (included Earth)		No. x AWG	4C x 18	4C x 18

Notes:

- All data are based on the following conditions
 - Cooling Temperature : Indoor 27°C(80.6°F) DB / 19°C(66.2°F) WB
Outdoor 35°C(95°F) DB / 24°C(75.2°F) WB
 - Heating Temperature : Indoor 20°C(68°F) DB / 15°C(59°F) WB
Outdoor 7°C(44.6°F) DB / 6°C(42.8°F) WB
 - Piping Length : Interconnected Pipe Length = 7.5m
 - Difference Limit of Elevation (Outdoor ~ Indoor Unit) is Zero.
- Wiring cable size must comply with the applicable local and national code.
- Due to our policy of innovation some specifications may be changed without notification.
- Sound measured at 1m(3.3ft) away from the center of the unit.
The values depends on the ambient conditions and values are normally higher in actual operation.

2. List of Functions

Category	Functions	AMNW24GNJA0 [LMVN240HV]
		AMNW36GNJA0 [LMVN360HV]
Air flow	Air supply outlet	1
	Airflow direction control (left & right)	X
	Airflow direction control (up & down)	X
	Auto swing (left & right)	X
	Auto swing (up & down)	X
	Airflow steps (fan/cool/heat)	3 / 3 / 3
	Chaos wind(auto wind)	X
	Jet cool/heat	X / X
	Swirl wind	X
Air purifying	Triple filter (Deodorizing)	X
	Plasma air purifier	X
	Allergy Safe filter	X
	Long-life prefilter (washable / anti-fungus)	X
Installation	Drain pump	X
	E.S.P. control	O
	Electric heater	ANEH053B1(5kW) / ANEH103B2(10kW)
	High ceiling operation	X
	Auto Elevation Grille	X
Reliability	Hot start	O
	Self diagnosis	O
	Soft dry operation	O
Convenience	Auto changeover	X
	Auto cleaning	X
	Auto operation(artificial intelligence)	O
	Auto Restart	O
	Child lock	O
	Forced operation	X
	Group control	O
	Sleep mode	O
	Timer(on/off)	O
	Timer(weekly)	O
Individual control	Standard Wired remote controller	PREMTB10U
	Deluxe wired remote controller	X
	Simple wired remote controller	O
	Simple Wired remote controller(for hotel use)	X
	Wireless remote controller*	PQWRHQ0FDB
Network function	General central controller (Non LGAP)	X
	Network Solution(LGAP)	O
	Dry contact	PQDSA(1) / PQDSB(1) / PQDSBC / PQDSBNGCM1
	PI 485(for Indoor Unit)	X
Special function kit	Zone controller	X
	CTI(Communication transfer interface)	X
	Electronic thermostat	X
Others	Remote temperature sensor	PQRSTA0
	Group control wire	PZCWRCG3
	Telecom shelter controller	X

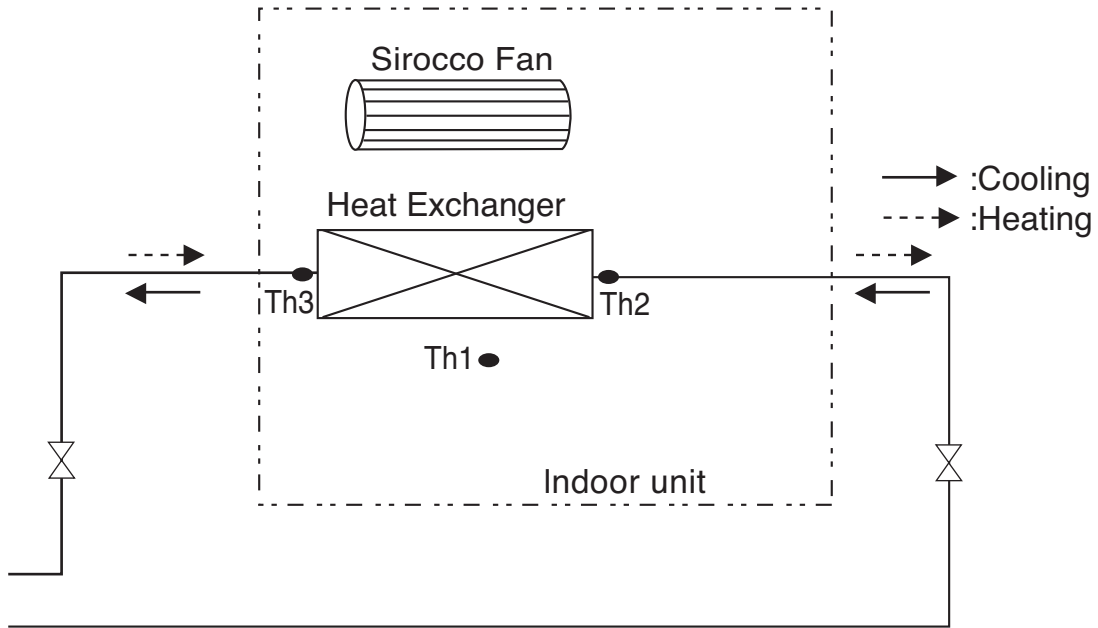
Note

1. * : These functions need to connect the wired remote controller.

O : Applied X : Not applied

Accessory model name : Installed at field, ordered and purchased separately by the corresponding model name, supplied with separate package.

3. Piping Diagrams



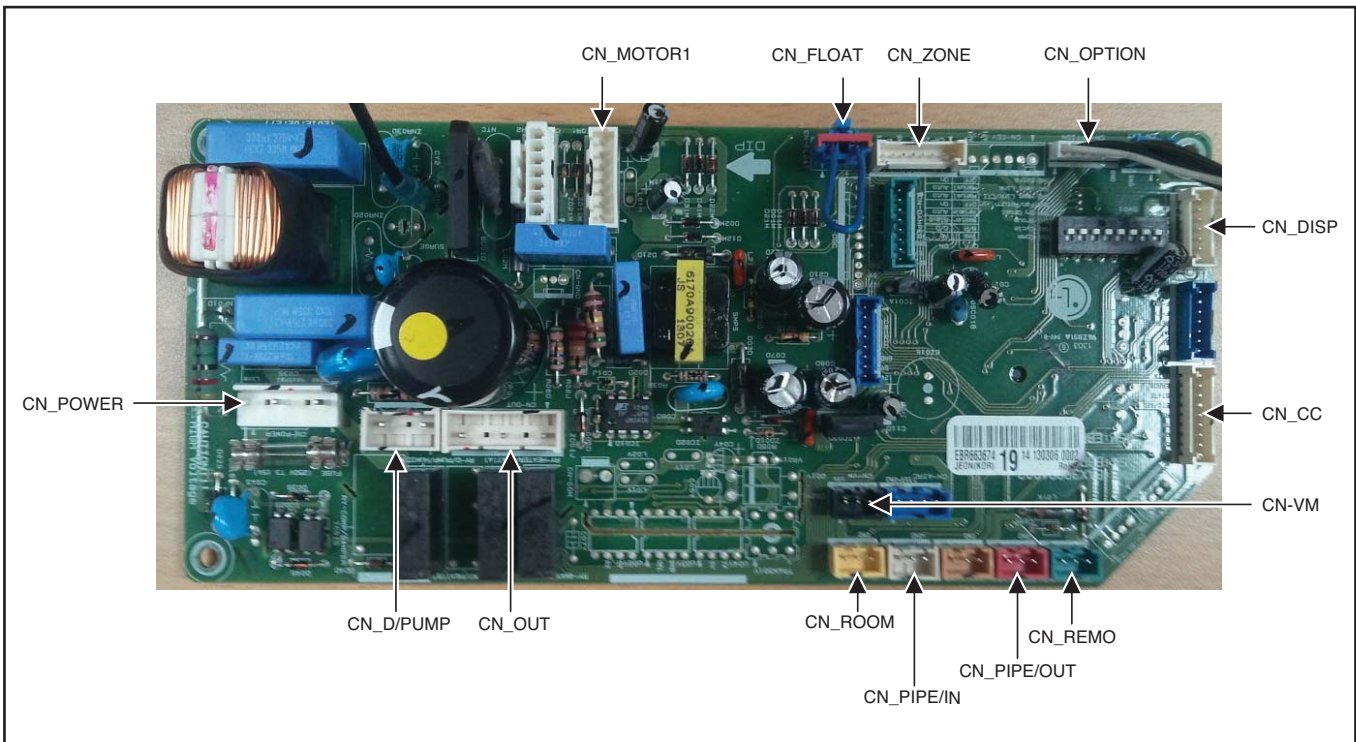
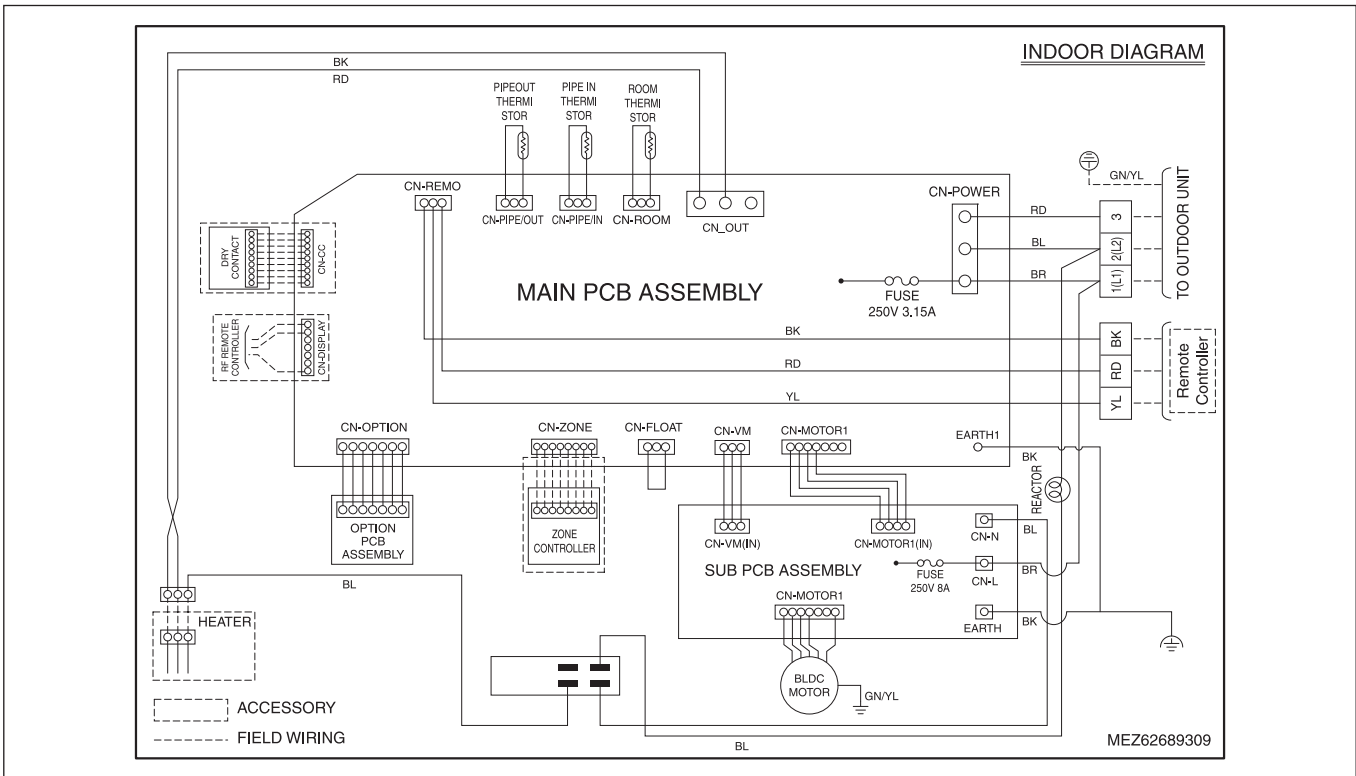
Refrigerant pipe connection port diameter

[Unit: mm(inch)]

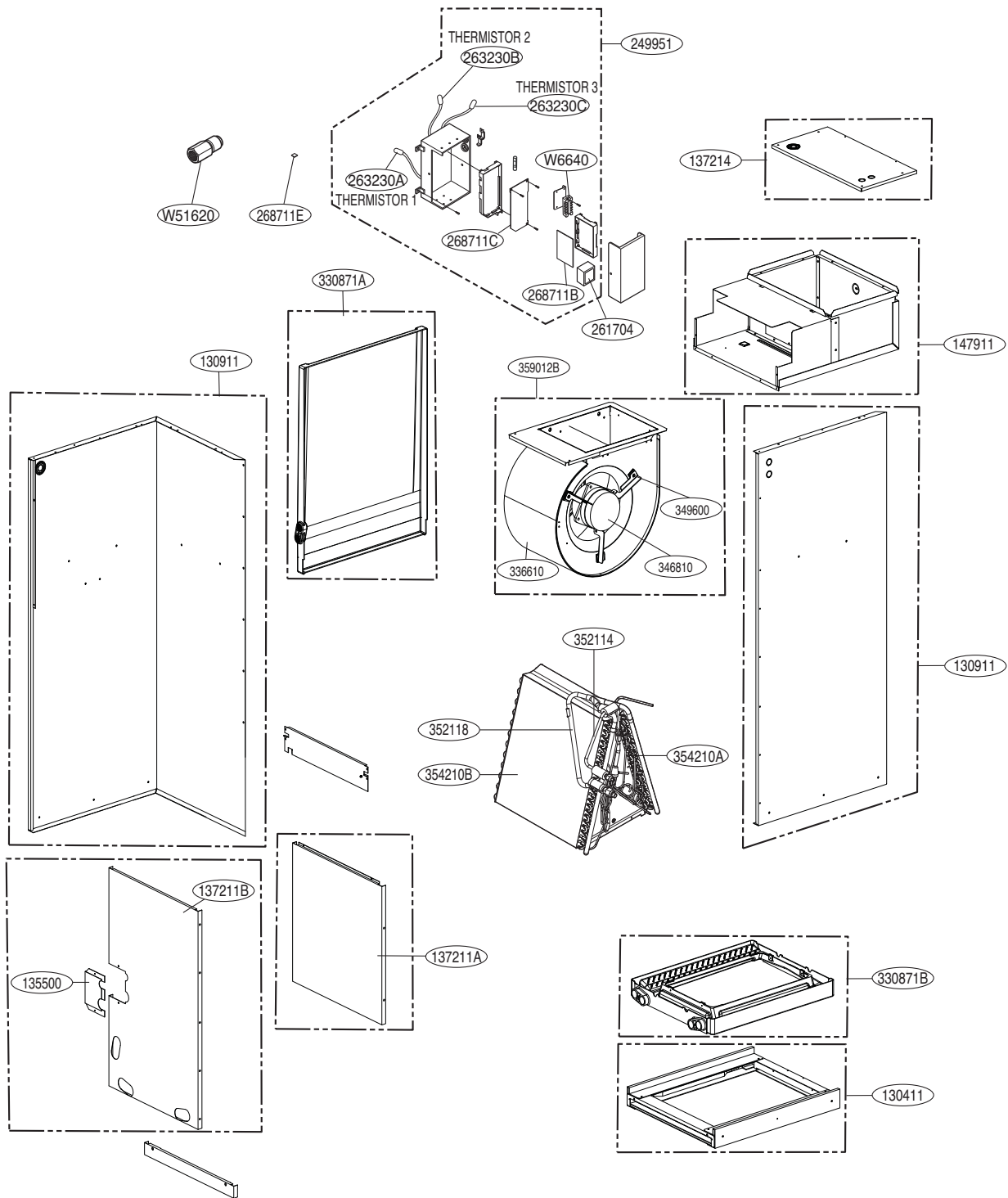
Model	Gas	Liquid
AMNW24GBGA0 [LMHN240HV]	Ø12.7(1/2)	Ø6.35(1/4)
AMNW36GBGA0 [LMHN360HV]	Ø15.88(5/8)	Ø9.52(3/8)

LOC.	Description
Th1	Room thermistor
Th2	Pipe in thermistor
Th3	Pipe out thermistor

4. Wiring Diagrams



5. Exploded View



Thermistor 1	263230A	Pipe Out thermistor	Housing Color : Red
Thermistor 2	263230B	Pipe In thermistor	Housing Color : White
Thermistor 3	263230C	Inlet Air Thermistor	Housing Color : Brown



P/NO : MFL67523121

December, 2013