



Room Air Conditioner

SVC MANUAL(Exploded View)

**MODEL : AS-W093F2B2(LAN090HVP/LAU090HVP)
AS-W123F2B2(LAN120HVP/LAU090HVP)**

CAUTION

Before Servicing the unit, read the safety precautions in General SVC manual.
Only for authorized service personnel.

1. Specification

Sales Model			LAN090HVP/LAU090HVP	LAN120HVP/LAU120HVP
Models		Unit	AS-W093F2B2	AS-W123F2B2
Cooling Capacity		kW	1.3~2.64~3.5	1.30~3.28~4.00
		Btu/h.	4,436~9,000~11,942	4,436~11,200~13,648
Heating Capacity		kW	1.3~3.17~4.2	1.30~3.90~5.00
		Btu/h.	4,436~10,800~14,330	4,436~13,300~17,060
Power Input	Cooling/Heating	W	720/850	933/1250
Running Current	Cooling/Heating	A	3.3/3.8	4.3/5.7
Starting Current	Cooling/Heating	A	3.3/3.8	4.3/5.7
EER		W/W	3.66	3.52
		Btu/h.W	12.5	12
SEER			16	16
HSPF			8.2	8.2
Power Supply		Ø / V / Hz	1/208-230/60	1/208-230/60
Power Factor		%	95.6	95.6
Air Flow Rate	Indoor,Max	m3/min(CFM)	10.5(370)	10.5(370)
	Outdoor,Max	m3/min(CFM)	33(1165)	33(1165)
Moisture Removal		l/h.(pts/hr)	1.2	1.5
Sound Level	Indoor,H/M/L	dB(A)±3	42 / 36 / 32	42 / 36 / 32
	Outdoor,Max	dB(A)±3	45	45
Refrigerant & Charge (at 7.5 m)		g(oz)	R410A, 1,000(35.3)	R410A, 1,000(35.3)
Additional Refrigerant charge		g/m(oz/ft)	20(0.22)	20(0.22)
Compressor	Type		Single Rotary	Single Rotary
	Model		GA102MFB	GA102MFB
	Motor Type		Brushless DC Motor	Brushless DC Motor
	Oil Type		FVC68D	FVC68D
	Oil Charge	cc	310	310
	O.L.P. name		-	-
Fan(Indoor)	Type		Turbo Fan	Turbo Fan
	Motor Output	W	14.7	14.7
Fan(Outdoor)	Type		Propeller	Propeller
	Motor Type		BLDC	BLDC
	Motor Output	W	43	43
Circuit Breaker*		A	15	15
Power Supply Cable		No.*mm ²	3*1.0	3*1.0
Power and Transmission Cable No.*mm ²		No.*mm ²	4*1.0 (Including Earth)	4*1.0 (Including Earth)
Piping Connections	Liquid Side	mm(in)	6.35(1/4)	6.35(1/4)
	Gas Side	mm(in)	9.52(3/8)	9.52(3/8)
Drain Hose(O.D. / I.D.)		mm(in)	21.5 / 16.0(27/32 / 5/8)	21.5 / 16.0(27/32 / 5/8)
Dimensions	Indoor (W*H*D)	mm	600*600*146	600*600*146
		inch	23 19/32*23 19/32*5 11/16	23 19/32*23 19/32*5 11/16
	Outdoor (W*H*D)	mm	770*545*288	770*545*288
		inch	30 5/16*30 5/16*11 5/16	30 5/16*30 5/16*11 5/16
Net Weight	Indoor	kg(lbs)	14.4(31.7)	14.4(31.7)
	Outdoor	kg(lbs)	32.3(71.2)	32.3(71.2)
Gross Weight	Indoor	kg(lbs)	16.4 (36.2)	16.4 (36.2)
	Outdoor	kg(lbs)	34.8 (76.7)	34.8 (76.7)
Operation Range	Cooling(Outdoor)	°C(°F)	-10 ~ 48 (14 ~ 118)	-10 ~ 48 (14 ~ 118)
	Heating(Outdoor)	°C(°F)	-10 ~ 24 (14 ~ 75)	-10 ~ 24 (14 ~ 75)
Piping Length (Min/Max)		m(ft)	3(9.84) / 15(49.2)	3(9.84) / 15(49.2)
Chargeless		m(ft)	-	-
Max. Elevation Difference		m(ft)	10(32.8)	10(32.8)
Tool Code(Chassis)	Indoor + Outdoor		SF + UL2	SF + UL2
Functions	Temperature Control		Thermistor	Thermistor
	Allergy free filter		-	-
	Plasma Filter		-	-
	Prefilter(washable/anti-fungus)		O	O
	Auto Clean		O	O
	CHAOS Wind(Auto Wind)		O	O
	Steps, Fan/Cool/Heat		4/5/5	4/5/5
	Airflow Direction Control(up& Down)		Auto	Auto
	Airflow Direction Control(left & right)		Auto	Auto
	Remote Controller Type		Wireless LCD(BETTER)	Wireless LCD(BETTER)
	Setting Temperature	Cooling	18°C ~ 30°C	18°C ~ 30°C
	Range	Heating	16°C ~ 30°C	16°C ~ 30°C
	Auto Operation (Micom Control)		-	-
	Auto Changeover (Micom Control)		O	O
	Self Diagnosis		O	O
	Timer		24h, On/Off	24h, On/Off
	Sleep Operation		O	O
	Soft Dry Operation		O	O
	Restart Delay(minute)		3	3
	Deice Control(Defrost)		O	O
	Hot Start		O	O
	Jet Cool		O	O
Low Ambient Operation		O	O	
Special Function				

Note:

O : Applied, - : No relation

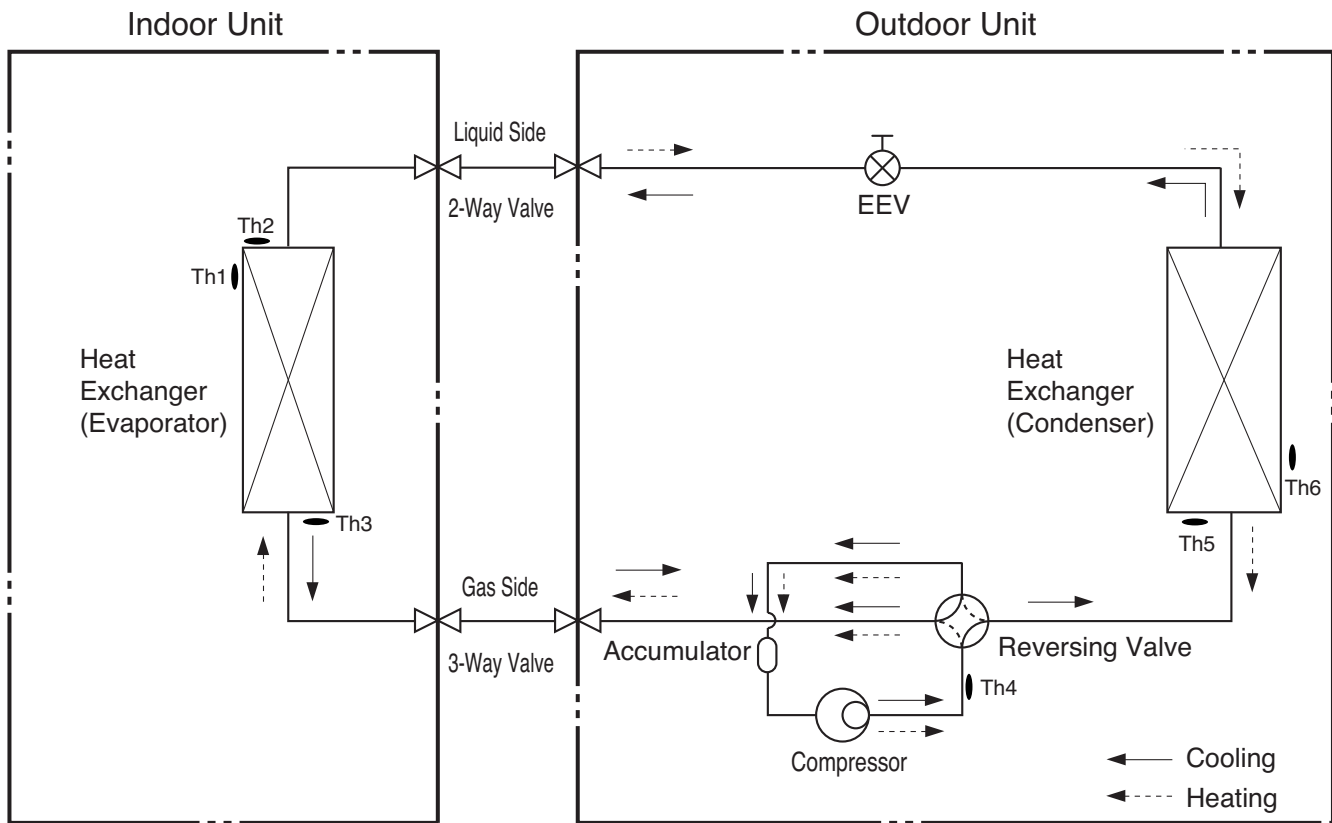
* For circuit breaker rating, please conform to local standards wherever necessary.

※ Some of functions are slightly different depending upon models.

※ The specification may be subject to change without prior notice for purpose of improvement.

※ Capacity : based on 230V

2. Piping Diagrams

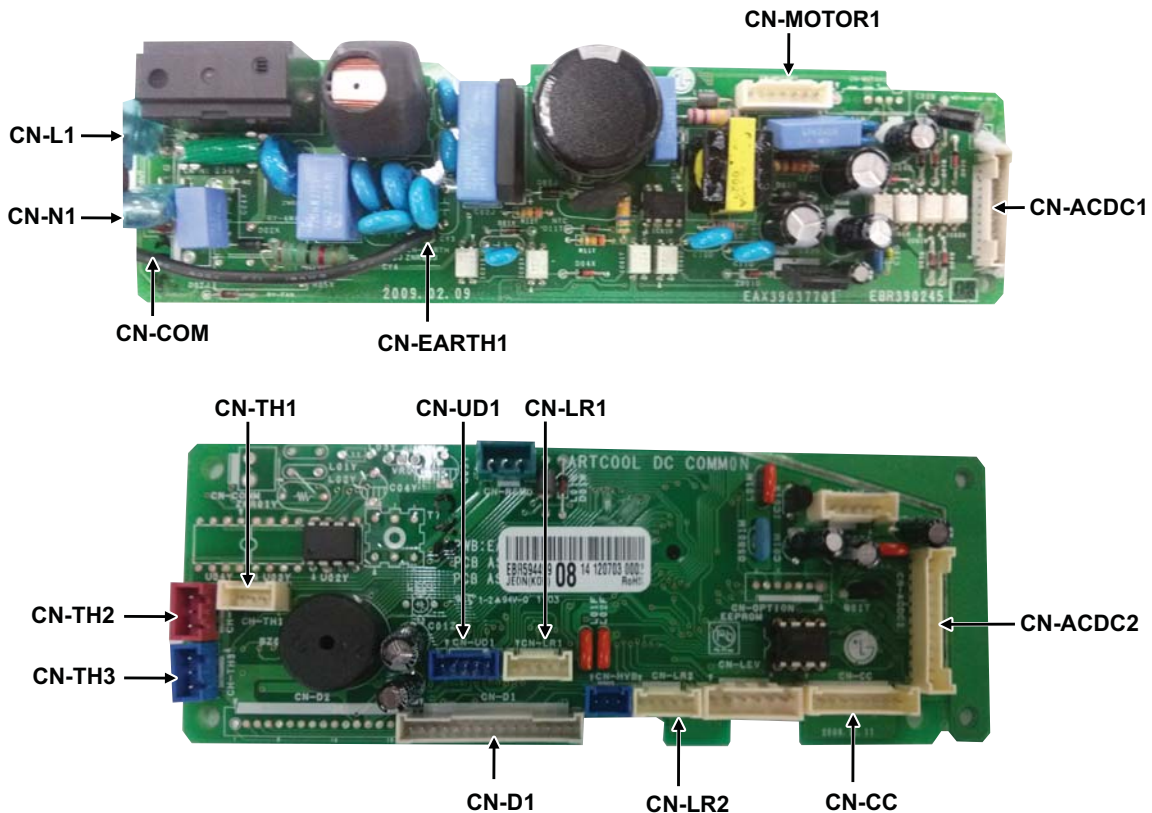
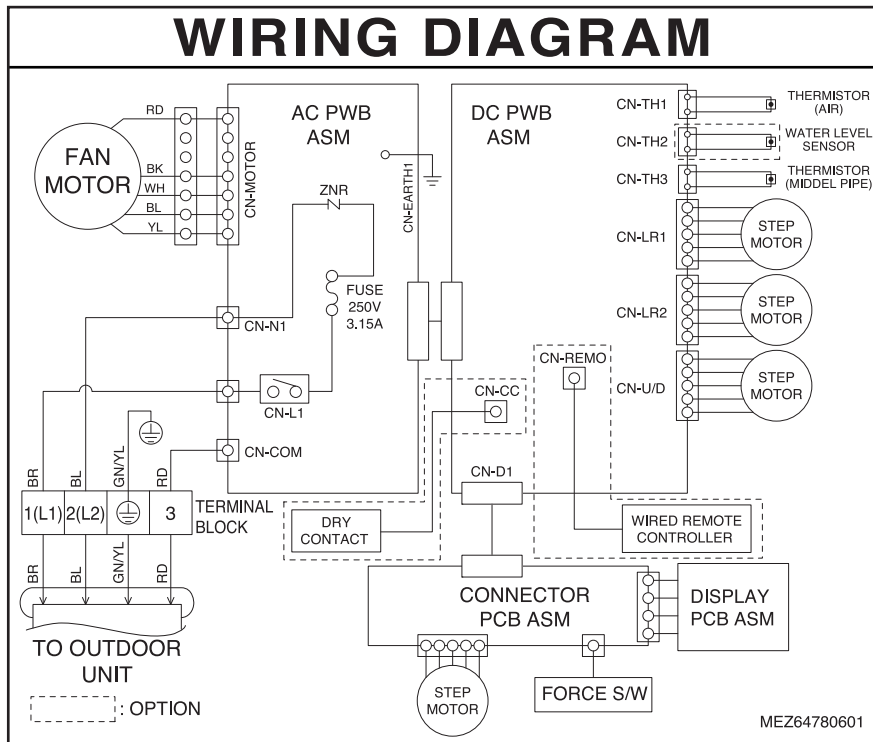


LOC	Description	PCB Connector
Th1	Thermistor for indoor air temperature	CN_TH1(INDOOR)
Th2	Water level sensor (Option)	CN_TH2(INDOOR)
Th3	Thermistor for evaporating temperature	CN_TH3(INDOOR)
Th4	Thermistor for discharge pipe temperature	CN_TH2(OUTDOOR)
Th5	Thermistor for condensing temperature	CN_TH1(OUTDOOR)
Th6	Thermistor for outdoor air temperature	

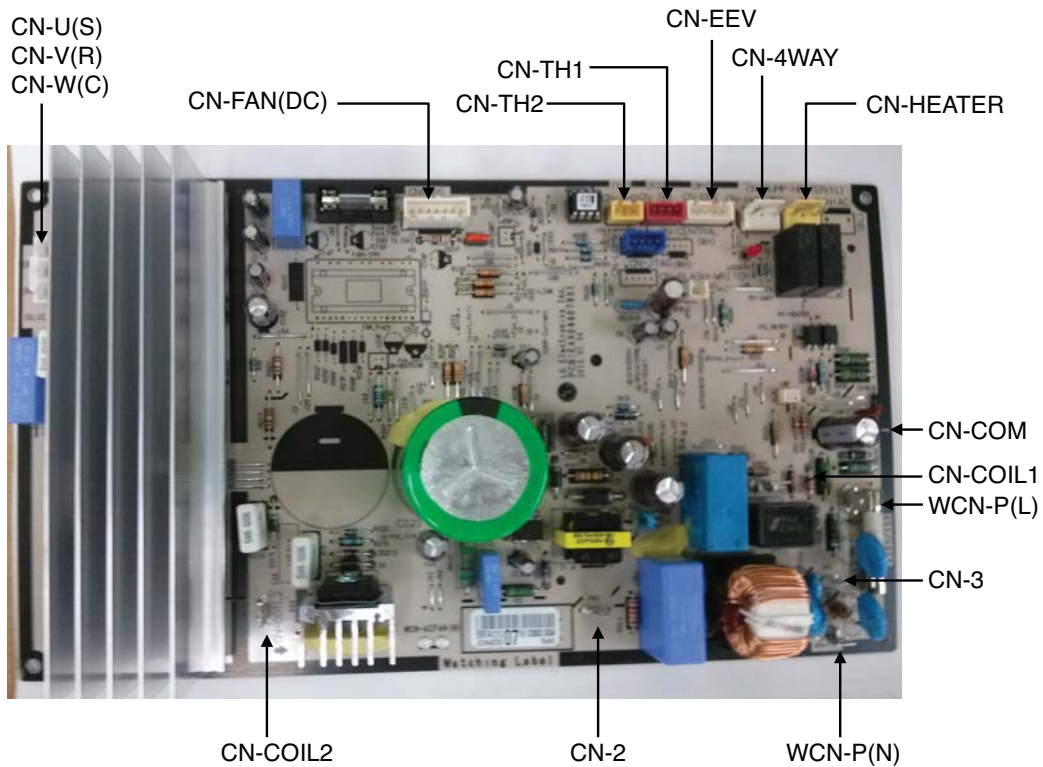
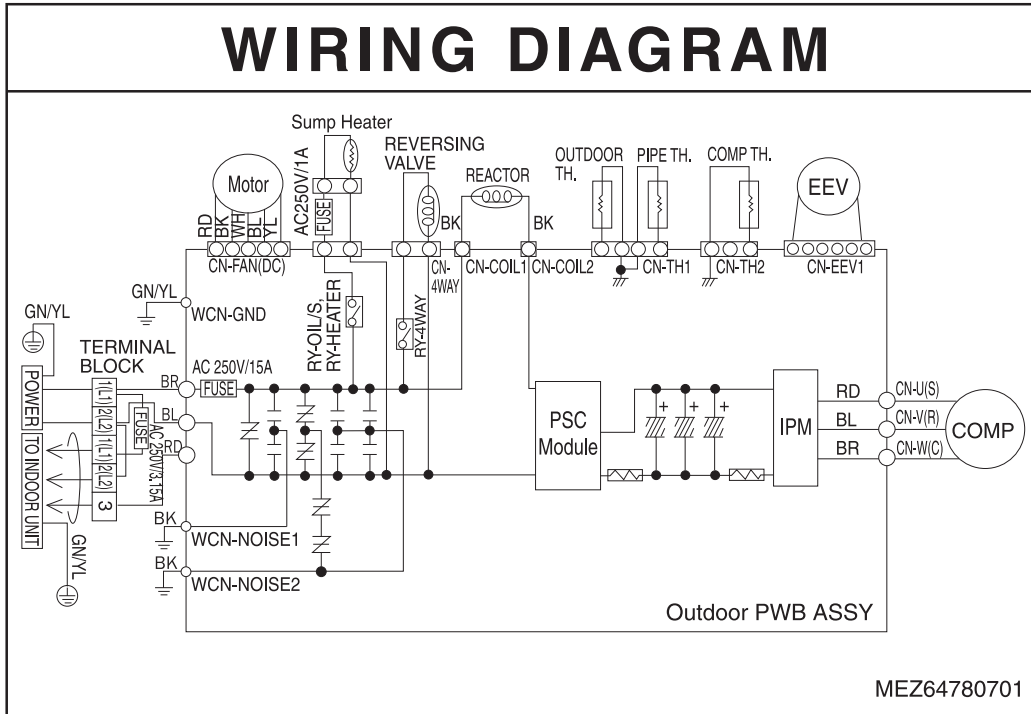
* EEV : Electronic Expansion Valve.

3. Wiring Diagrams

Indoor Unit

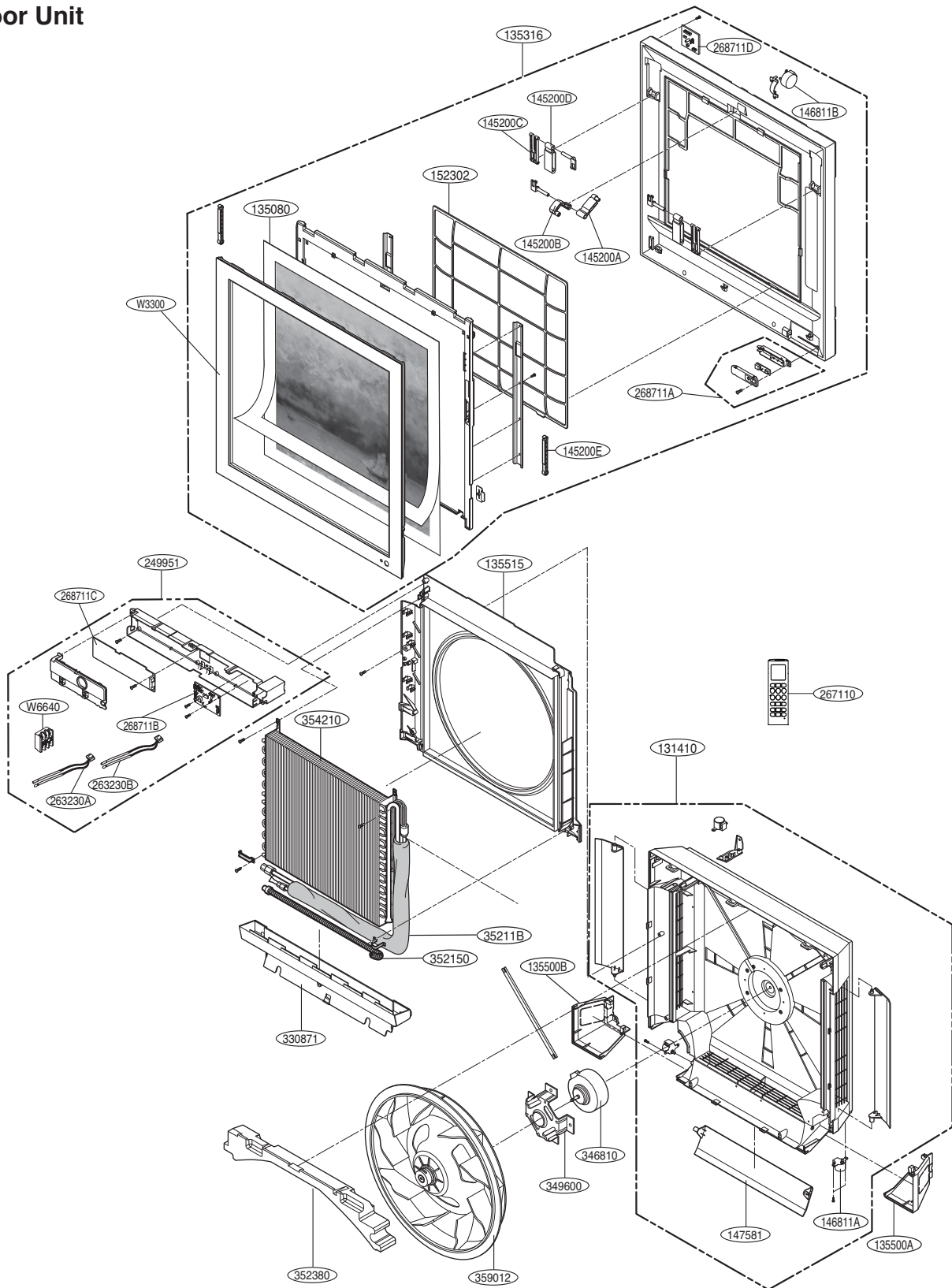


Outdoor Unit



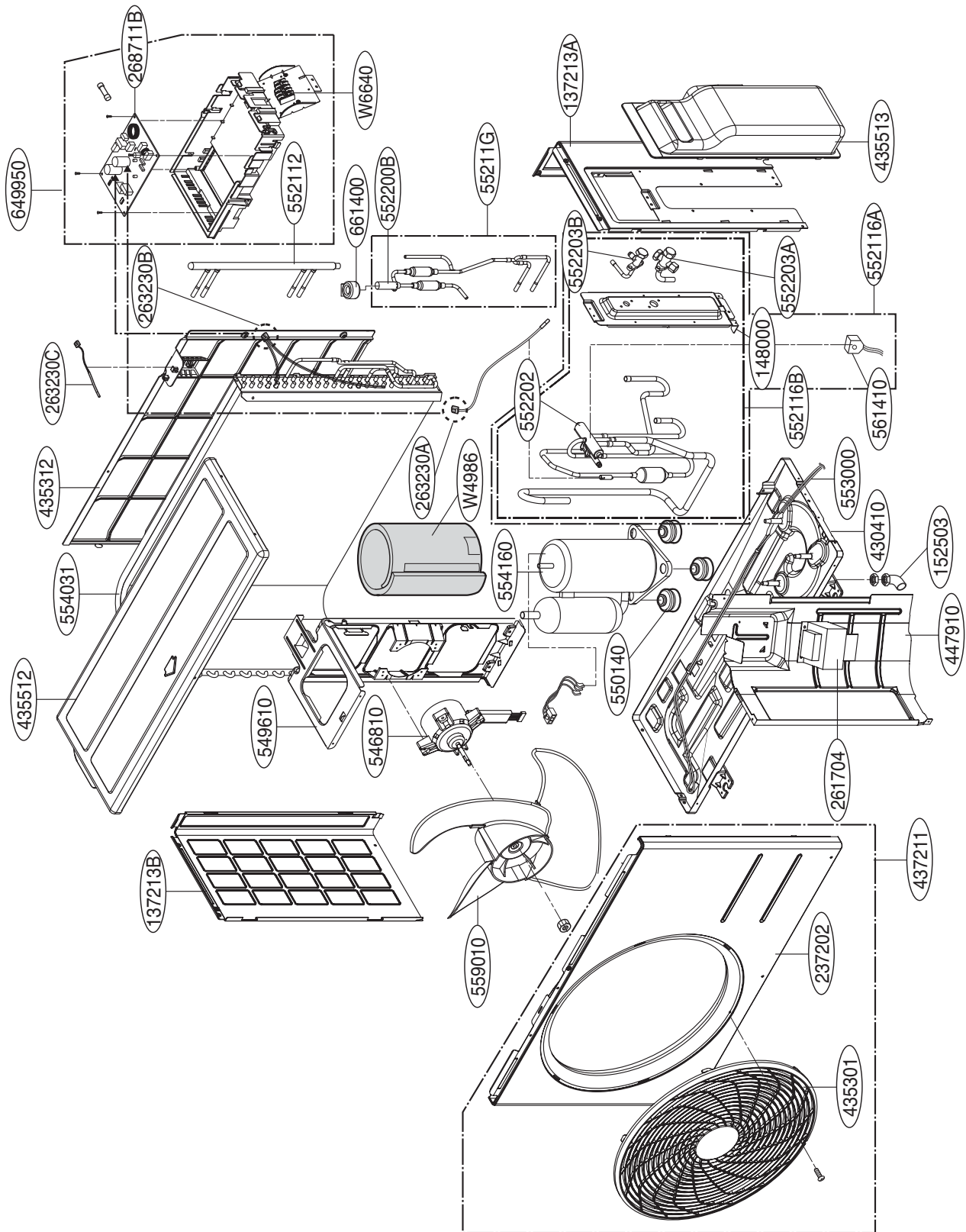
4. Exploded View

Indoor Unit



Note) * Please ensure GCSC since the replacement parts may be changed depending upon the buyer's request.
Please check the correct parts in View RPL(Replacement Part List) on GCSC.
(GCSC Website <http://biz.Lgservice.com>.)

Outdoor Unit





US	1. Please call the installing contractor of your product, as warranty service will be provided by them. 2. If you have service issues that have not been addressed by the contractor, please call 1-888-865-3026.
CANADA	Service call Number # : (888) LG Canada, (888) 542-2623

P/NO : MFL67647201

February, 2015