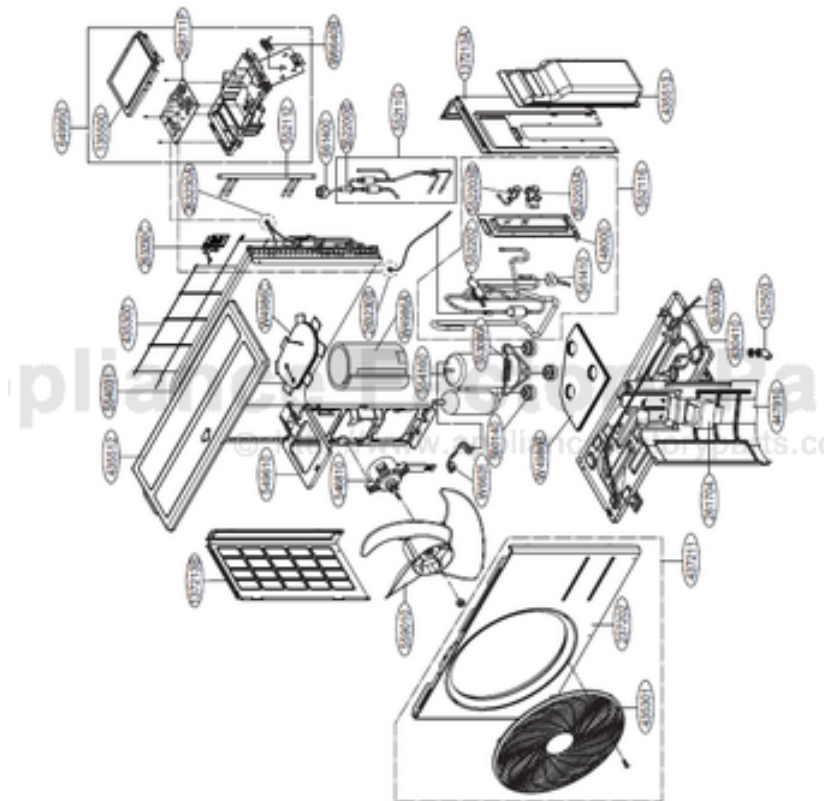


This Owner's Manual is provided and hosted by [Appliance Factory Parts](#).



LG AS-W093MMB8 Owner's Manual

[Shop genuine replacement parts for LG AS-W093MMB8](#)



[Find Your LG Air Conditioner Parts - Select From 2330 Models](#)

----- Manual continues below -----



Internal Use Only

<http://biz.lgservice.com>

Room Air Conditioner

SVC MANUAL(Exploded View)

**MODEL : AS-W093MMB8(LAN090HYV/LAU090HYV)
AS-W123MMB8(LAN120HYV/LAU120HYV)**

CAUTION

Before Servicing the unit, read the safety precautions in General SVC manual.
Only for authorized service personnel.

Product Specifications

| Models | | Unit | AS-W093MMB8 | AS-W123MMB8 | |
|--------------------------------------|---|-------------|--------------------------|---|-------------|
| Cooling Capacity | | kW | 0.30~2.64~3.80 | 0.30~3.51~4.04 | |
| | | Btu/h. | 1,023~9,000~12,966 | 1,023~12,000~13,785 | |
| Heating Capacity | | kW | 0.30~3.22~6.50 | 0.30~3.98~6.80 | |
| | | Btu/h. | 1,023~11,000~20,472 | 1,023~13,600~23,202 | |
| Power Input | Cooling/Heating | W | 562/700 | 850/860 | |
| Running Current | Cooling/Heating | A | 2.7/3.2 | 3.9/4.0 | |
| Starting Current | Cooling/Heating | A | 2.7/3.2 | 3.9/4.0 | |
| EER | | W/W | 4.69 | 4.14 | |
| | | Btu/h.W | 16.01 | 14.12 | |
| SEER | | | 27.5 | 25.5 | |
| HSPF | | | 11.8 | 11.5 | |
| Power Supply | | Ø / V / Hz | 1/208-230/60 | 1/208-230/60 | |
| Power Factor | | % | 94 | 95 | |
| Air Flow Rate | Indoor,Max | m³/min(CFM) | 15.5(547) | 15.5(547) | |
| | Outdoor,Max | m³/min(CFM) | 33(1,165) | 33(1,165) | |
| Moisture Removal | | l/h. | 1.5(3.3) | 1.7(3.7) | |
| Sound Level | Indoor,H/M/L/Sleep | dB(A)±3 | 42/36/25/17 | 42/36/25/17 | |
| | Outdoor,Max | dB(A)±3 | 45 | 45 | |
| Refrigerant & Charge (at 7.5 m) | | g(oz) | R410A, 1,150(40.6) | R410A, 1,150(40.6) | |
| Additional Refrigerant charge | | g/m(oz/ft) | 20(0.22) | 20(0.22) | |
| Compressor | Type | | Twin Rotary | Twin Rotary | |
| | Model | | DA128A1F | DA128A1F | |
| | Motor Type | | Brushless DC Motor | Brushless DC Motor | |
| | Oil Type | | VG74 | VG74 | |
| | Oil Charge | cc | 450 | 450 | |
| O.L.P. name | | | - | - | |
| Fan(Indoor) | Type | | Cross Flow Fan | Cross Flow Fan | |
| | Motor Output | W | 20 | 20 | |
| Fan(Outdoor) | Type | | Propeller, Fan | Propeller, Fan | |
| | Motor Type | | BLDC | BLDC | |
| | Motor Output | W | 43 | 43 | |
| Circuit Breaker* | | A | 15 | 15 | |
| Power Supply Cable | | No.*mm² | 3*1.0 | 3*1.0 | |
| Power and Transmission Cable No.*mm2 | | No.*mm² | 4*1.0 (Including Earth) | 4*1.0 (Including Earth) | |
| Piping Connections | Liquid Side | mm(in) | 6.35(1/4) | 6.35(1/4) | |
| | Gas Side | mm(in) | 9.52(3/8) | 9.52(3/8) | |
| Drain Hose(O.D / I.D.) | | mm(in) | 21.5 / 16.0(0.85 / 0.63) | 21.5 / 16.0(0.85 / 0.63) | |
| Dimensions | Indoor (W*H*D) | mm | 875*295*235 | 875*295*235 | |
| | | inch | 34.4*11.6*9.25 | 34.4*11.6*9.25 | |
| | Outdoor (W*H*D) | mm | 770*545*288 | 770*545*288 | |
| | | inch | 30.3*21.5*11.3 | 30.3*21.5*11.3 | |
| Net Weight | Indoor | kg(lbs) | 11.0(24.25) | 11.0(24.25) | |
| | Outdoor | kg(lbs) | 33.0(72.75) | 33.0(72.75) | |
| Gross Weight | Indoor | kg(lbs) | 13.0(28.6) | 13(28.6) | |
| | Outdoor | kg(lbs) | 35.0(77.16) | 35.0(77.16) | |
| Operation Range | Cooling(Outdoor) | °C(°F) | -10~48(14~118.4) | -10~48(14~118.4) | |
| | Heating(Outdoor) | °C(°F) | -25 ~ 24 (-13 ~ 75.2) | -25 ~ 24 (-13 ~ 75.2) | |
| Piping Length (Min/Max) | | m(ft) | 2(6.6) / 20(65.6) | 2(6.6) / 20(65.6) | |
| Chargeless | | m(ft) | 12.5(41) | 12.5(41) | |
| Max. Elevation Difference | | m(ft) | 10(32.8) | 10(32.8) | |
| Tool Code(Chassis) | Indoor + Outdoor | | SM + UL2 | SM + UL2 | |
| Functions | Temperature Control | | Thermistor | Thermistor | |
| | Allergy free filter | | - | - | |
| | Plasma Filter | | - | - | |
| | Prefilter(washable/anti-fungus) | | O | O | |
| | 3M HAF Filter | | O | O | |
| | Auto Clean | | O | O | |
| | CHAOS Wind(Auto Wind) | | O | O | |
| | Steps, Fan/Cool/Heat | | 5/6/6 | 5/6/6 | |
| | Airflow Direction Control(up& Down) | | 5Step | 5Step | |
| | Airflow Direction Control(left & right) | | 6Step | 6Step | |
| | Remote Controller Type | | Better | Better | |
| | Setting Temperature | Cooling | | 18°C ~ 30°C | 18°C ~ 30°C |
| | | Heating | | 16°C ~ 30°C | 16°C ~ 30°C |
| | Range | | | | |
| | Auto Operation (Micom Control) | | | - | - |
| | Auto Changeover (Micom Control) | | | O | O |
| | Self Diagnosis | | | O | O |
| | Timer | | | 24h, On/Off | 24h, On/Off |
| | Sleep Operation | | | O | O |
| | Soft Dry Operation | | | O | O |
| | Restart Delay(minute) | | | 3 | 3 |
| | Deice Control(Defrost) | | | O | O |
| | Hot Start | | | O | O |
| | Jet Cool | | | O | O |
| | Low Ambient Operation | | | O | O |
| | Wi-Fi(Optional) | | | O | O |
| | Special Function | | | Water Lever Sensor, Cooling Only Switch, WLAN | |

Note:

O : Applied, - : No relation

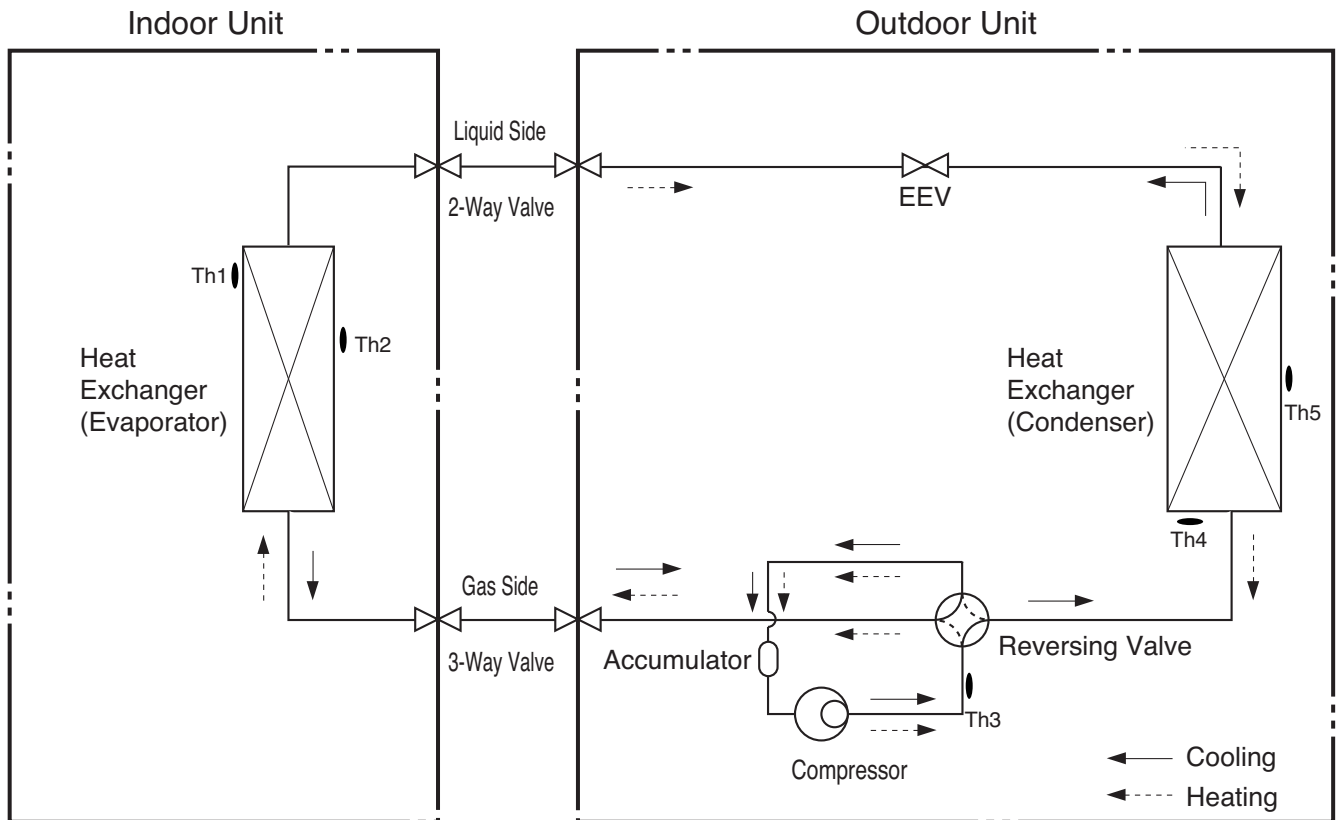
* For circuit breaker rating, please conform to local standards wherever necessary.

* If you use WLAN, WLAN must be purchased separately.

* Some of functions are slightly different depending upon models.

* The specification may be subject to change without notice for purpose of improvement.

2. Piping Diagrams

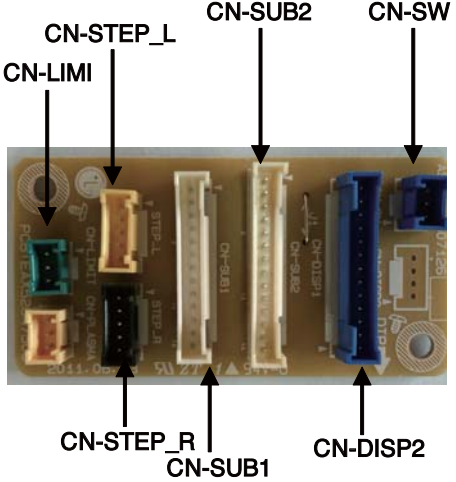
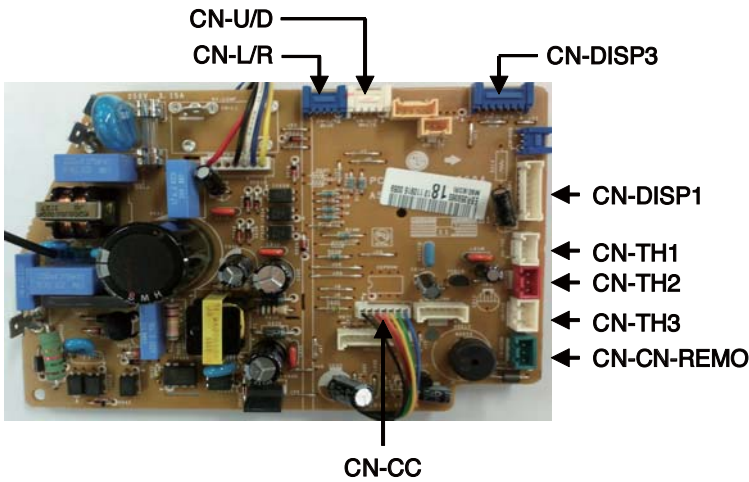
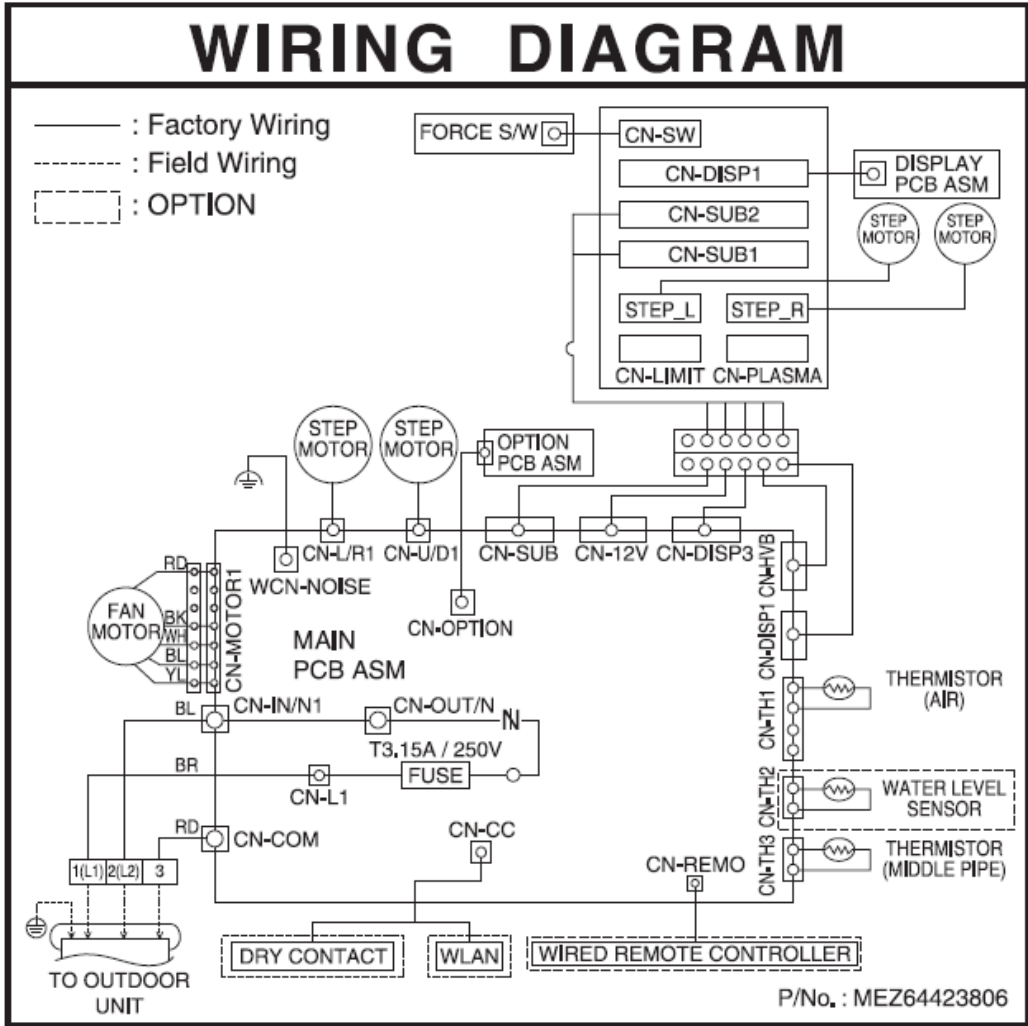


| LOC. | Description | PCB Connector |
|------|---|-----------------|
| Th1 | Thermistor for suction air temperature | CN-TH1(Indoor) |
| Th2 | Th4Thermistor for evaporator middle temperature | CN-TH3(Indoor) |
| Th3 | Thermistor for discharge pipe temperature | CN-TH2(OUTDOOR) |
| Th4 | Thermistor for condensing temperature | CN-TH1(OUTDOOR) |
| Th5 | Thermistor for outdoor air temperature | CN-TH1(OUTDOOR) |

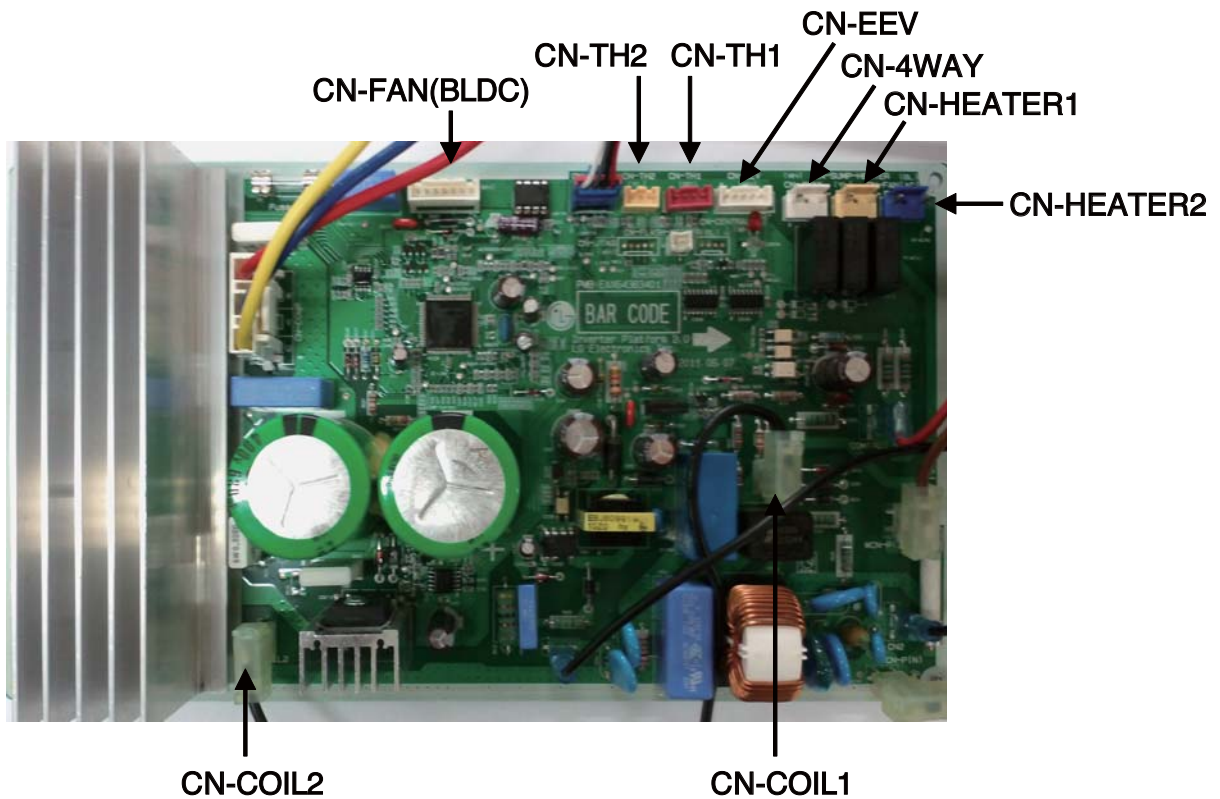
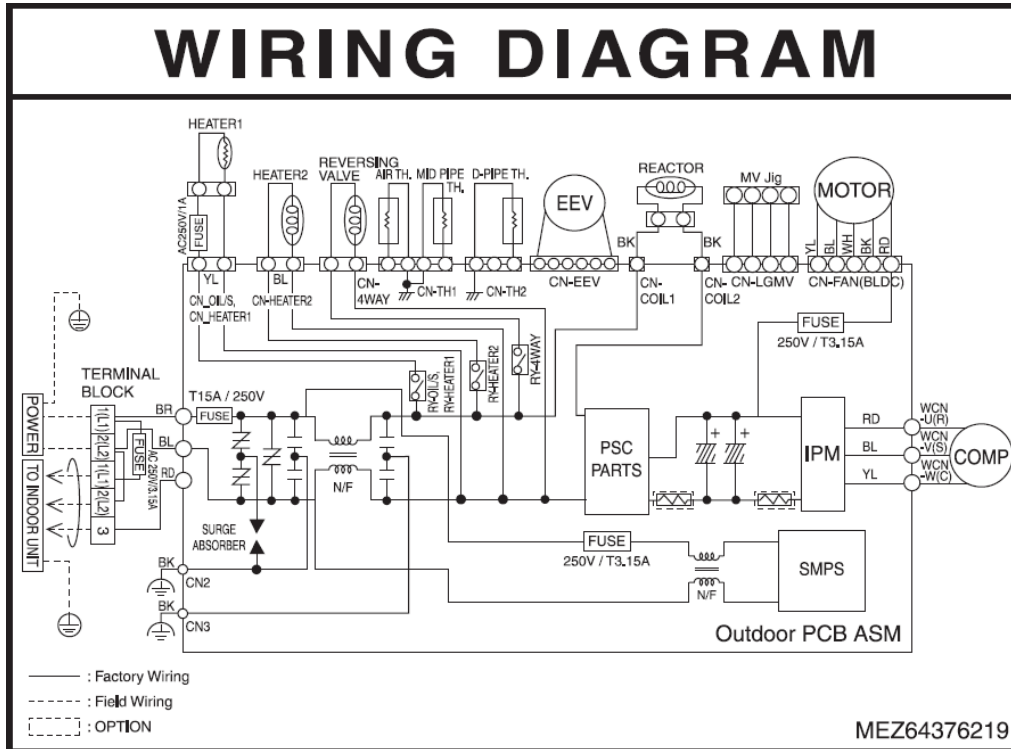
※ EEV : Electronic Expansion Valve

3. Wiring Diagrams

Indoor Unit

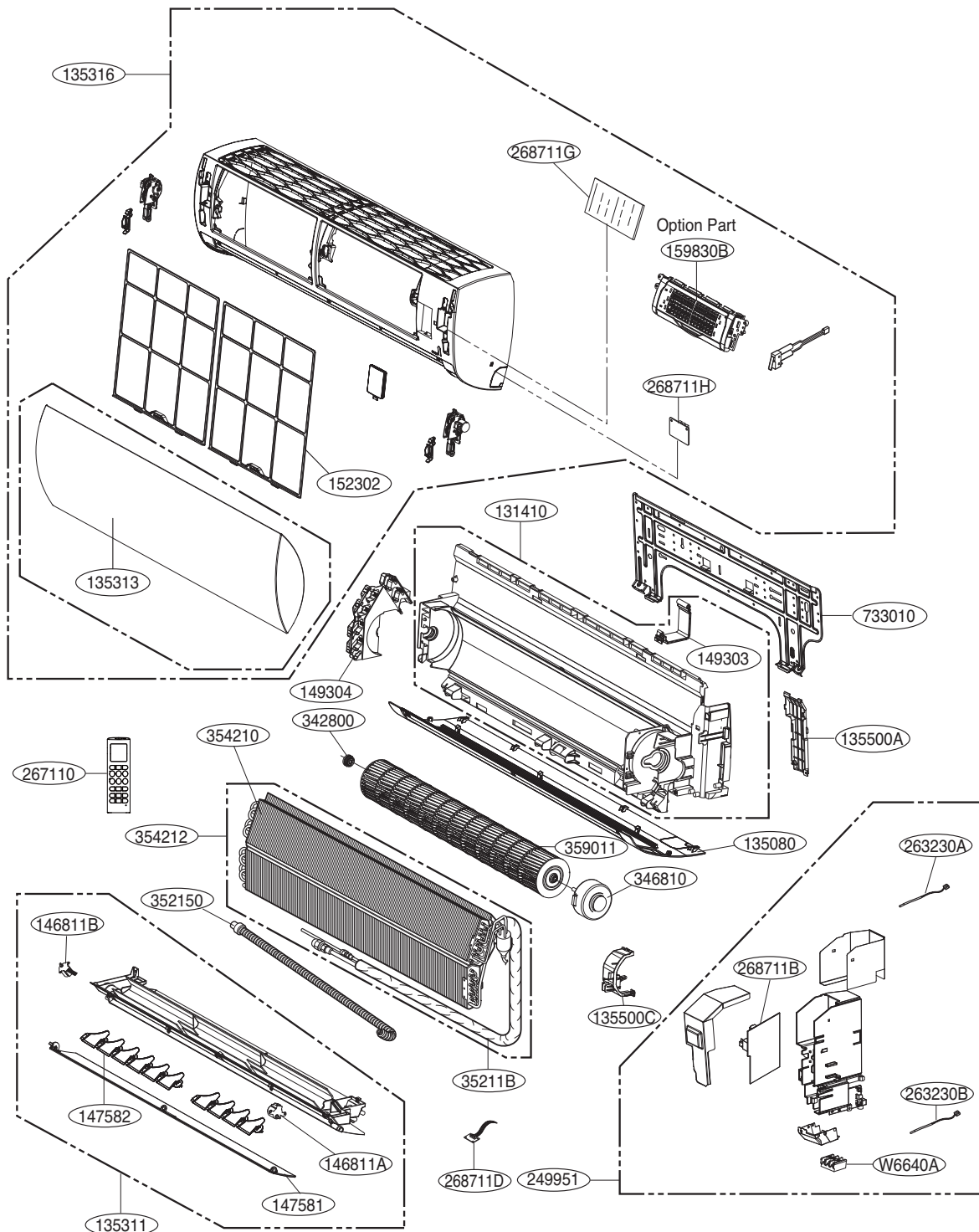


Outdoor Unit



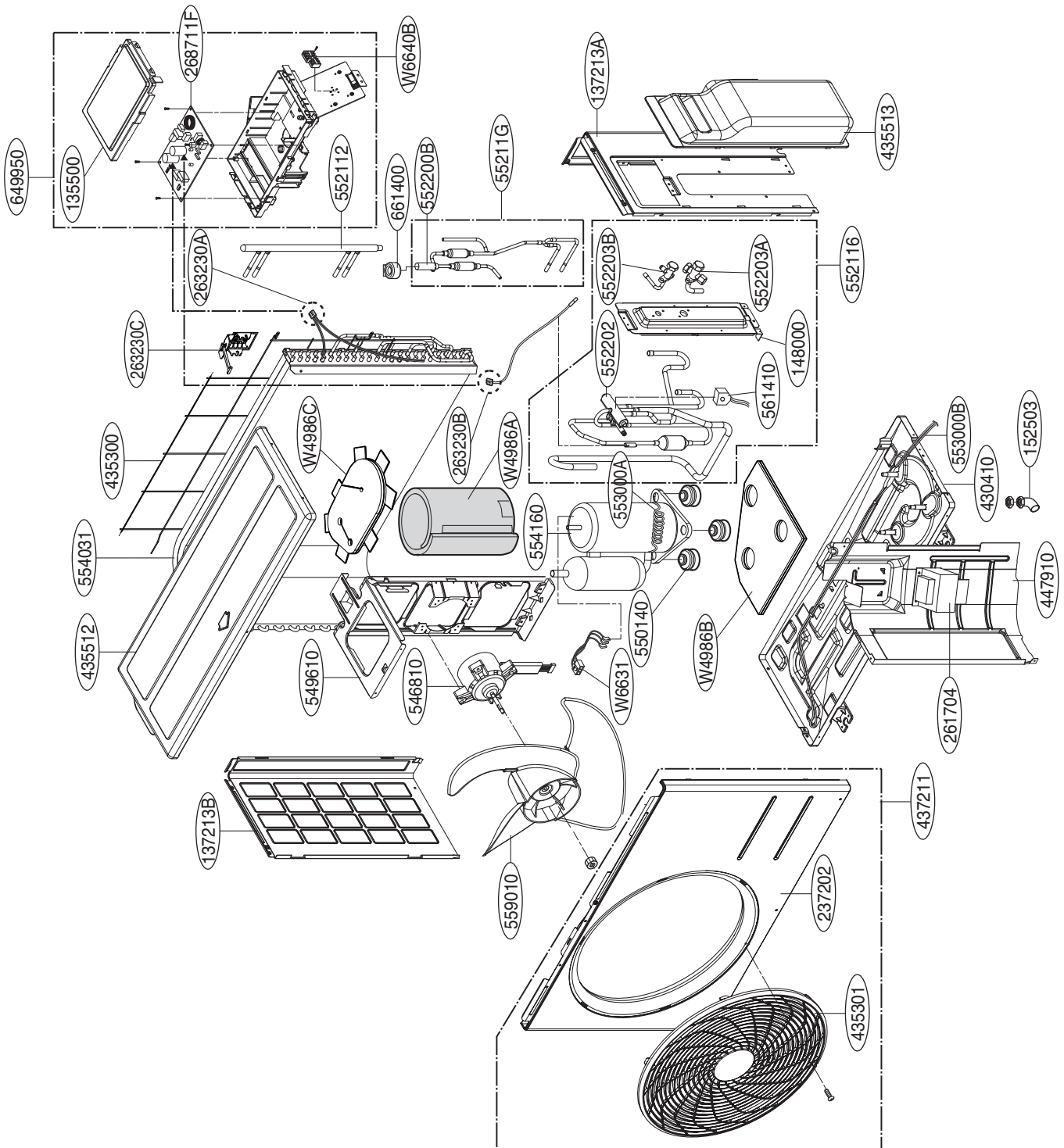
Exploded View

Indoor Unit



| LOC. | Description |
|---------|--|
| 263230A | Thermistor for suction air temperature |
| 263230B | Thermistor for evaporator middle temperature |

Outdoor Unit



| LOC. | Description |
|---------|--|
| 263230A | Thermistor for suction air temperature |
| | Thermistor for condenser inlet temperature |
| 263230B | Thermistor for discharge pipe temperature |



| | |
|--------|--|
| US | 1. Please call the installing contractor of your product, as warranty service will be provided by them. 2. If you have service issues that have not been addressed by the contractor, please call 1-888-865-3026. |
| CANADA | Service call Number # : (888) LG Canada, (888) 542-2623 |

P/NO : MFL67501905

July, 2013