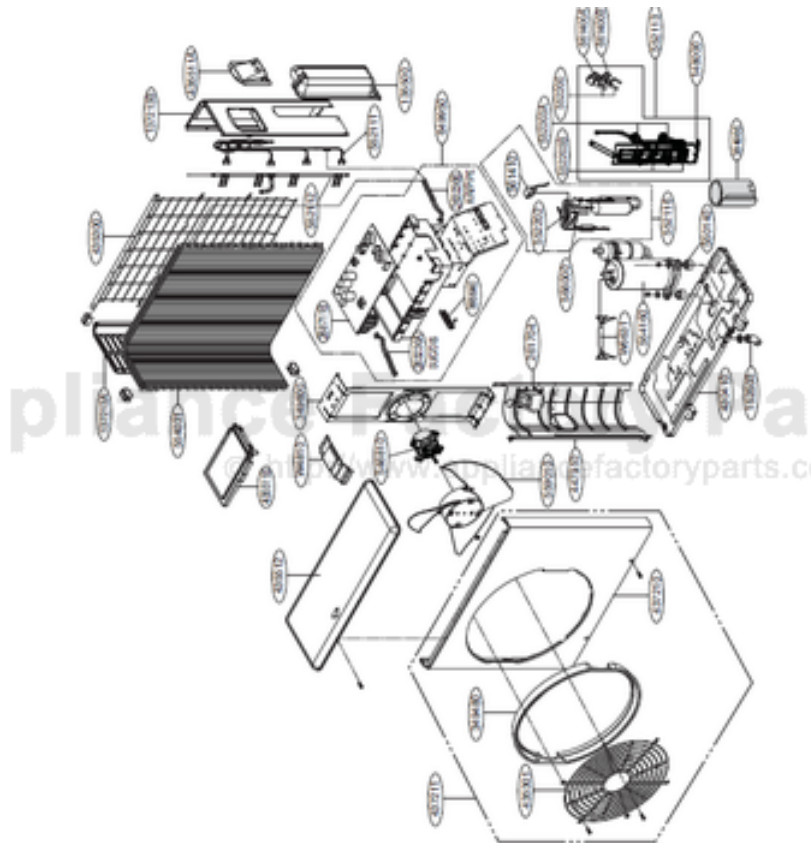


This Owner's Manual is provided and hosted by Appliance Factory Parts.



LG A2UW183FA2 Owner's Manual

[Shop genuine replacement parts for LG A2UW183FA2](#)



[Find Your LG Air Conditioner Parts - Select From 2330 Models](#)

----- Manual continues below -----



Internal Use Only

<http://biz.lgservice.com>

Multi Air Conditioner

SVC MANUAL(Exploded View)

MODEL : A2UW183FA2
LMU187HV

CAUTION

Before Servicing the unit, read the safety precautions in General SVC manual.
Only for authorized service personnel.

1. Specification

Outdoor Spec.			A2UW183FA2 (LMU187HV)
Capacity(*)		Btu/h Class	18,000
Nominal Input	Cooling	kW	0.26~1.12~2.37
(Min~Rated~Max)	Heating	kW	0.28~1.29~2.48
Running Current	Cooling	A	1.5~5.2~10.8
	Heating	A	1.5~6.0~11.3
Starting Current	Cooling/Heating	A	-
Power Supply		Ø / V / Hz	1/208-230/60
Power Supply Cable (outdoor)		No. x AWG	3 x 12
transmission cable (outdoor to indoor)		No. x AWG	4 x 18 (Including Earth)
Dimensions	W x H x D	mm	870 x 808 x 320
		inch	34-1/4 x 31-13/16 x 12-19/32
Net Weight		kg(lbs)	56(123.5)
Net Weight(Package)		kg(lbs)	60(132)
Compressor	Type		Twin-Rotary
	Qty x Model		1 x GKT141D
	Motor Type		BLDC
	Oil Charge volume	cc	570
	Oil Type		FVC68D
Refrigerant	Charge (at 7.5m)	g(oz)	1900(67.0)
	Type		R410A
	Control		EEV
Heat Exchanger	(Rows x Column x FPI) x No.		(2R x 36C x 16) x 1
	Defrosting Method		Reversing cycle
Fan	Type		Propeller
	Motor Output(W) x No. of Unit		84 x 1
	Capacitor	µF/Vac	-
	Drive		DC
	Discharge direction(Side/Top)		Side
	Air Flow Rate * No. of Fan	CMM(CFM)	53(1872)
Sound Level(H)	Sound Pressure	dB(A)+3	51
Piping connections	Liquid(Cycle A)	mm(inch)	6.35(1/4) x 2EA
	Gas(Cycle A)	mm(inch)	9.52(3/8) x 2EA
Piping Length spec.	Main Piping	m(ft.)	50(164.0)
	Total Branch Piping	m(ft.)	25(82)
	Each Branch Piping	m(ft.)	22.5(73.8)
Max. Elevation Difference	Outdoor Unit~Indoor Unit	m(ft.)	15(49.2)
	Indoor Unit~Indoor Unit	m(ft.)	7.5(24.6)
Operation Range	Cooling	°C(°F)	-10~46(14 ~ 114.8)
	Heating	°C(°F)	-15~24(5 ~ 75.2)

Note:

1. Capacities are based on the following conditions:

Cooling: - Indoor Temperature 26.7°C(80°F) DB/19.4°C(67°F) WB

- Outdoor Temperature 35°C(95°F) DB/23.9°C(75°F) WB

Heating: - Indoor Temperature 21.1°C(70°F) DB/15.6°C(60°F) WB

- Outdoor Temperature 8.3°C(47°F) DB/6.1°C(43°F) WB

Piping Length - Interconnecting Piping Length 7.5m(24.6 ft.)

- Level Difference of Zero

2. Wiring cable size must comply with the applicable local and national code.

3. The specification may be subject to change without prior notice for purpose of improvement.

4. At least two indoor units should be connected.

5. For more Capacity(*), refer to the combination table

Conversion Formula

kW = Btu/h class X 0.0002931

cfm = CMM x 35.3

2. Function Table

Category	Function	A2UW183FA2 (LMU187HV)
Reliability	Defrost / Deicing	O
	High pressure switch	X
	Low pressure switch	O
	Phase protection	X
	Restart delay (3-minutes)	O
	Self diagnosis	O
	Soft start	O
	Test function	O
Convenience	Auto operation(Artificial intelligence)	O
	Auto restart operation	O
CAC network function	Network solution(LGAP)	O
	PDI(Power Distribution Indicator)	PQNUD1S00
	PI485	PMNFP14A0
Special function kit	Low ambient operation	O (Program logic)
Others	Thermistor	-

Note :

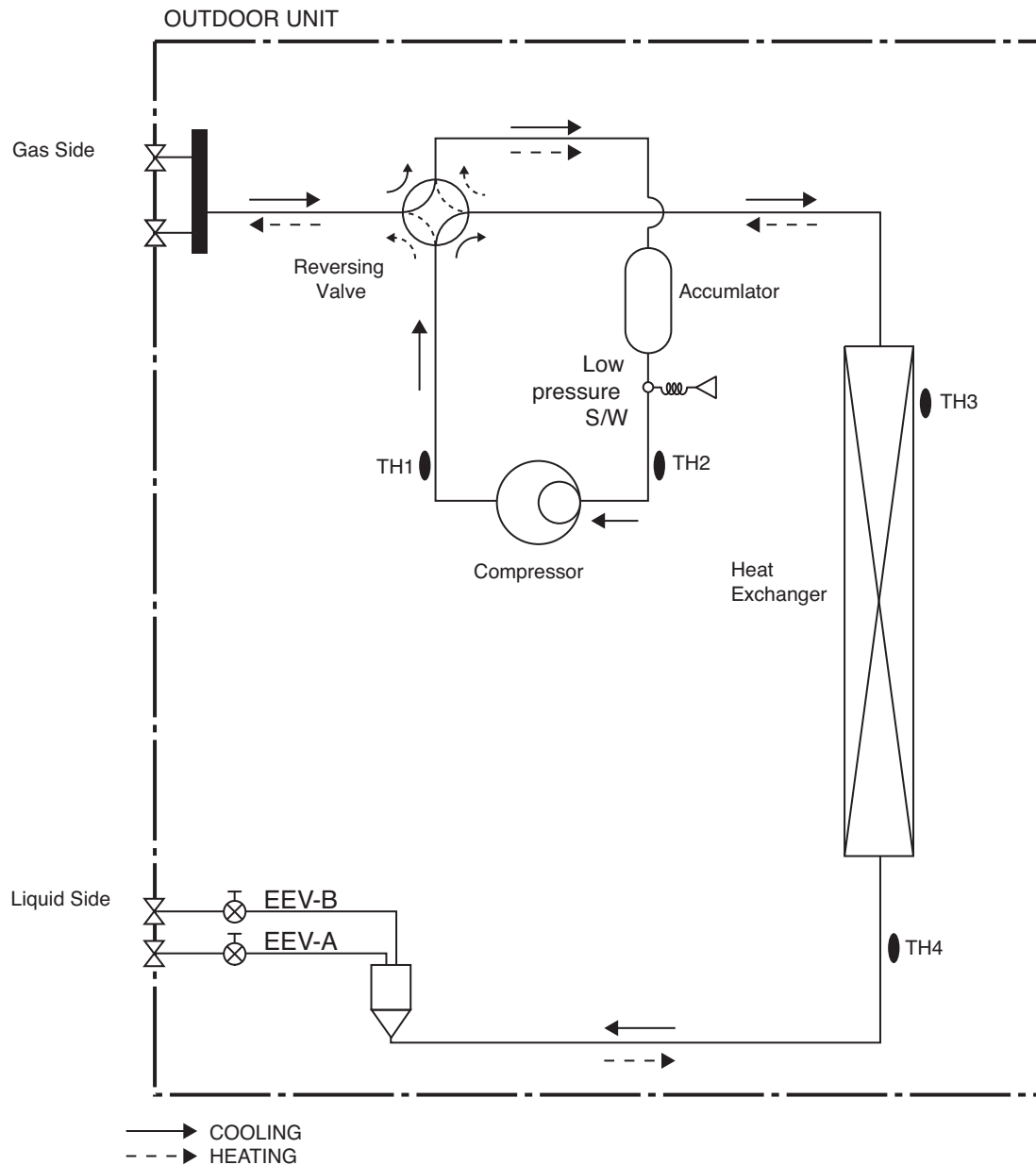
O : Applied X : Not applied - : No relation

Option : Model name & price are different according to options, and assembled in factory with main unit.

Accessory : Installed at field, ordered and purchased separately by the corresponding model name, supplied with separate package

H : These safety switcher are standard or optional features depending on region & country

3. Piping Diagrams

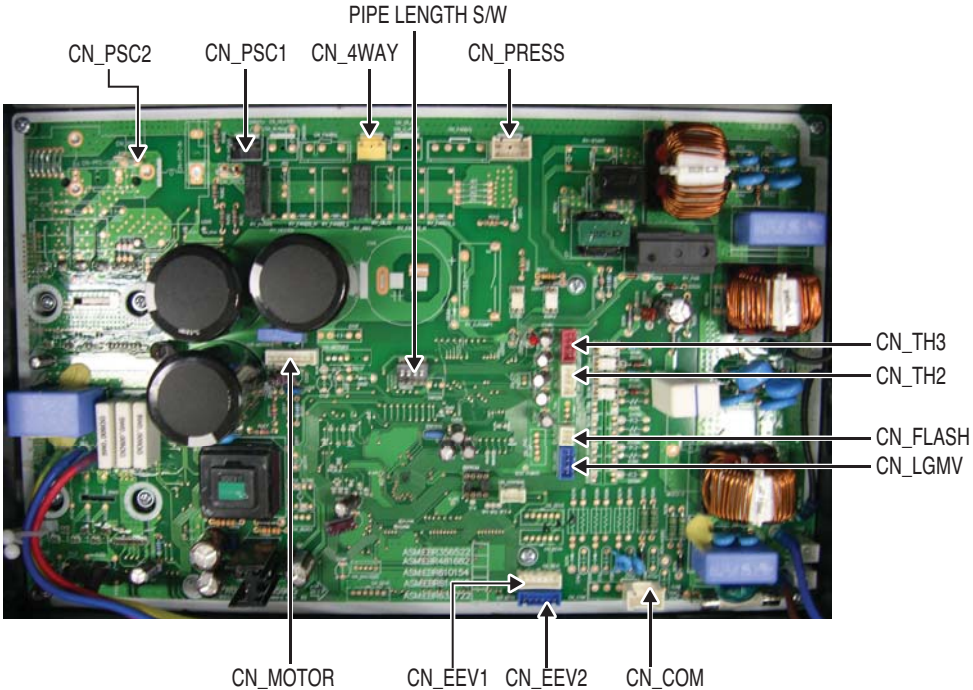
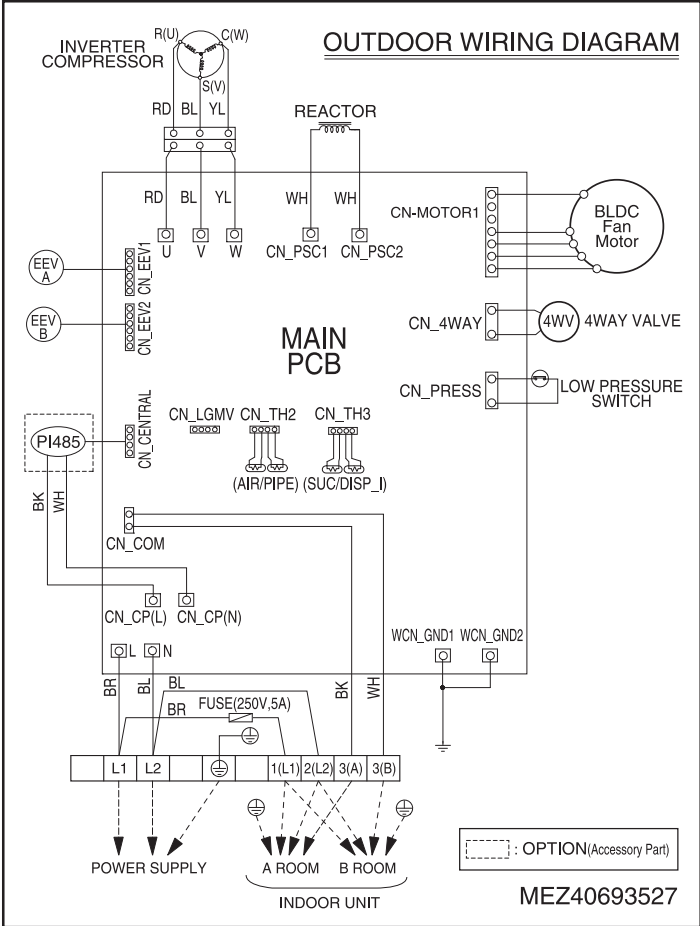


Note:

EEV: Electronic Expansion Valve

LOC.	Description	PCB Connector
Th1	Thermistor for discharge pipe temperature	CN_TH3
Th2	Thermistor for suction pipe temperature	CN_TH3
Th3	Thermistor for outdoor air temperature	CN_TH2
Th4	Thermistor for condensing temperature	CN_TH2

4. Wiring Diagrams





P/NO : MFL63721204

NOVEMBER, 2010