

This Owner's Manual is provided and hosted by [Appliance Factory Parts](#).



# LG AS-W093BU1 Owner's Manual

[Shop genuine replacement parts for LG AS-W093BU1](#)



[Find Your LG Air Conditioner Parts - Select From 2330 Models](#)

----- Manual continues below -----



Internal Use Only

<http://biz.lgservice.com>

# Room Air Conditioner

## SVC MANUAL(Exploded View)

**MODEL : AS-W093B\*U1  
AS-W123B\*U1**

### **CAUTION**

Before Servicing the unit, read the safety precautions in General SVC manual.  
Only for authorized service personnel.

# Product Specifications

| Models                               |   | Unit        | AS-W093B*U1              | AS-W123B*U1              |             |
|--------------------------------------|---|-------------|--------------------------|--------------------------|-------------|
| Cooling Capacity                     |   | kW          | 0.89~2.64~3.70           | 0.89~3.3~4.30            |             |
|                                      |   | Btu/h.      | 3,070~9,000~12,620       | 3,070~11,200~14,660      |             |
| Heating Capacity                     |   | kW          | 0.89~3.17~5.00           | 0.89~3.90~6.00           |             |
|                                      |   | Btu/h.      | 3,070~10,800~17,060      | 3,070~13,300~20,470      |             |
| Power Input                          | Cooling/Heating                         | W           | 675/820                  | 895/ 1055                |             |
| Running Current                      | Cooling/Heating                         | A           | 3.0 /3.7                 | 3.83 / 4.9               |             |
| Starting Current                     | Cooling/Heating                         | A           | 3.0 /3.7                 | 3.83 / 4.9               |             |
| EER                                  |   | W/W         | 3.91                     | 3.67                     |             |
|                                      |   | Btu/h.W     | 13.3                     | 12.51                    |             |
| SEER                                 |   |             | 20                       | 20                       |             |
| HSPF                                 |   |             | 11                       | 11.3                     |             |
| Power Supply                         |   | Ø / V / Hz  | 1/208-230/60             | 1/208-230/60             |             |
| Power Factor                         |   | %           | 93                       | 97.1                     |             |
| Air Flow Rate                        | Indoor,Max                              | m3/min(CFM) | 11.0(388)                | 12.0(423)                |             |
|                                      | Outdoor,Max                             | m3/min(CFM) | 33(1,165)                | 33(1,165)                |             |
| Moisture Removal                     |   | l/h.        | 1.1                      | 1.3                      |             |
| Sound Level                          | Indoor,H/ML                             | dB(A)±3     | 38 / 33 / 24 / 19        | 39 / 33 / 24 / 19        |             |
|                                      | Outdoor,Max                             | dB(A)±3     | 45                       | 45                       |             |
| Refrigerant & Charge (at 7.5 m)      |   | g(oz)       | R410A, 1,000(35.3)       | R410A, 1,000(35.3)       |             |
| Additional Refrigerant charge        |   | g/m(oz/ft)  | 20(0.22)                 | 20(0.22)                 |             |
| Compressor                           | Type                                    |             | Rotary                   | Rotary                   |             |
|                                      | Model                                   |             | 5RS102XAA21              | 5RS102XAA21              |             |
|                                      | Motor Type                              |             | Brushless DC Motor       | Brushless DC Motor       |             |
|                                      | Oil Type                                |             | PVE(FV50S)               | PVE(FV50S)               |             |
|                                      | Oil Charge                              | cc          | 320                      | 320                      |             |
|                                      | O.L.P. name                             |             | -                        | -                        |             |
| Fan(Indoor)                          | Type                                    |             | Cross Flow Fan           | Cross Flow Fan           |             |
|                                      | Motor Output                            | W           | 20                       | 20                       |             |
| Fan(Outdoor)                         | Type                                    |             | Propeller                | Propeller                |             |
|                                      | Motor Type                              |             | BLDC                     | BLDC                     |             |
|                                      | Motor Output                            | W           | 43                       | 43                       |             |
| Circuit Breaker*                     |   | A           | 15                       | 15                       |             |
| Power Supply Cable                   |   | No.*mm2     | 3*1.0                    | 3*1.0                    |             |
| Power and Transmission Cable No.*mm2 |   | No.*mm2     | 4*1.0 (Including Earth)  | 4*1.0 (Including Earth)  |             |
| Piping Connections                   | Liquid Side                             | mm(in)      | 6.35(1/4)                | 6.35(1/4)                |             |
|                                      | Gas Side                                | mm(in)      | 9.52(3/8)                | 9.52(3/8)                |             |
| Drain Hose(O.D / I.D.)               |   | mm(in)      | 21.5 / 16.0(0.85 / 0.63) | 21.5 / 16.0(0.85 / 0.63) |             |
| Dimensions                           | Indoor (W*H*D)                          | mm          | 895*285*195              | 895*285*195              |             |
|                                      |   | inch        | 35.2*11.2*7.7            | 35.2*11.2*7.7            |             |
|                                      | Outdoor (W*H*D)                         | mm          | 770*545*288              | 770*545*288              |             |
|                                      |   | inch        | 30.3*21.5*11.3           | 30.3*21.5*11.3           |             |
| Net Weight                           | Indoor                                  | kg(lbs)     | 11(24.5)                 | 11(24.3)                 |             |
|                                      | Outdoor                                 | kg(lbs)     | 35(77.2)                 | 35(77.2)                 |             |
| Gross Weight                         | Indoor                                  | kg(lbs)     | 13.5(29.7)               | 13.5(29.7)               |             |
|                                      | Outdoor                                 | kg(lbs)     | 37(81.6)                 | 37(81.6)                 |             |
| Operation Range                      | Cooling(Outdoor)                        | °C          | -10~48(14~118.4)         | -10~48(14~118.4)         |             |
|                                      | Heating(Outdoor)                        | °C          | -10(-15)~24(14.0~75.2)   | -10(-15)~24(14.0~75.2)   |             |
| Piping Length (Min/Max)              |   | m(ft)       | 2(6.6) / 20(65.6)        | 2(6.6) / 20(65.6)        |             |
| Chargeless                           |   | m(ft)       | 12.5(41.0)               | 12.5(41.0)               |             |
| Max. Elevation Difference            |   | m(ft)       | 10(32.8)                 | 10(32.8)                 |             |
| Tool Code(Chassis)                   | Indoor + Outdoor                        |             | SB + UL2                 | SB + UL2                 |             |
|                                      | Temperature Control                     |             | Thermistor               | Thermistor               |             |
| Functions                            | Allergy free filter                     |             | ○                        | ○                        |             |
|                                      | Plasma Filter                           |             | ○                        | ○                        |             |
|                                      | Prefilter(washable/anti-fungus)         |             | ○                        | ○                        |             |
|                                      | Auto Clean                              |             | ○                        | ○                        |             |
|                                      | CHAOS Wind(Auto Wind)                   |             | ○                        | ○                        |             |
|                                      | Steps, Fan/Cool/Heat                    |             | 5/6/5                    | 5/6/5                    |             |
|                                      | Airflow Direction Control(up& Down)     |             | Auto                     | Auto                     |             |
|                                      | Airflow Direction Control(left & right) |             | Auto                     | Auto                     |             |
|                                      | Remote Controller Type                  |             | Wireless LCD             | Wireless LCD             |             |
|                                      | Setting Temperature Range               | Cooling     |                          | 18°C ~ 30°C              | 18°C ~ 30°C |
|                                      |   | Heating     |                          | 16°C ~ 30°C              | 16°C ~ 30°C |
|                                      | Auto Operation (Micom Control)          |             | -                        | -                        |             |
|                                      | Auto Changeover (Micom Control)         |             | ○                        | ○                        |             |
|                                      | Self Diagnosis                          |             | ○                        | ○                        |             |
|                                      | Timer                                   |             | 24h, On/Off              | 24h, On/Off              |             |
|                                      | Sleep Operation                         |             | ○                        | ○                        |             |
|                                      | Soft Dry Operation                      |             | ○                        | ○                        |             |
|                                      | Restart Delay(minute)                   |             | 3                        | 3                        |             |
|                                      | Deice Control(Defrost)                  |             | ○                        | ○                        |             |
|                                      | Hot Start                               |             | ○                        | ○                        |             |
|                                      | Jet Cool                                |             | ○                        | ○                        |             |
|                                      | Low Ambient Operation                   |             | ○                        | ○                        |             |
|                                      | Special Function                        |             | -                        | -                        |             |

**Note:**

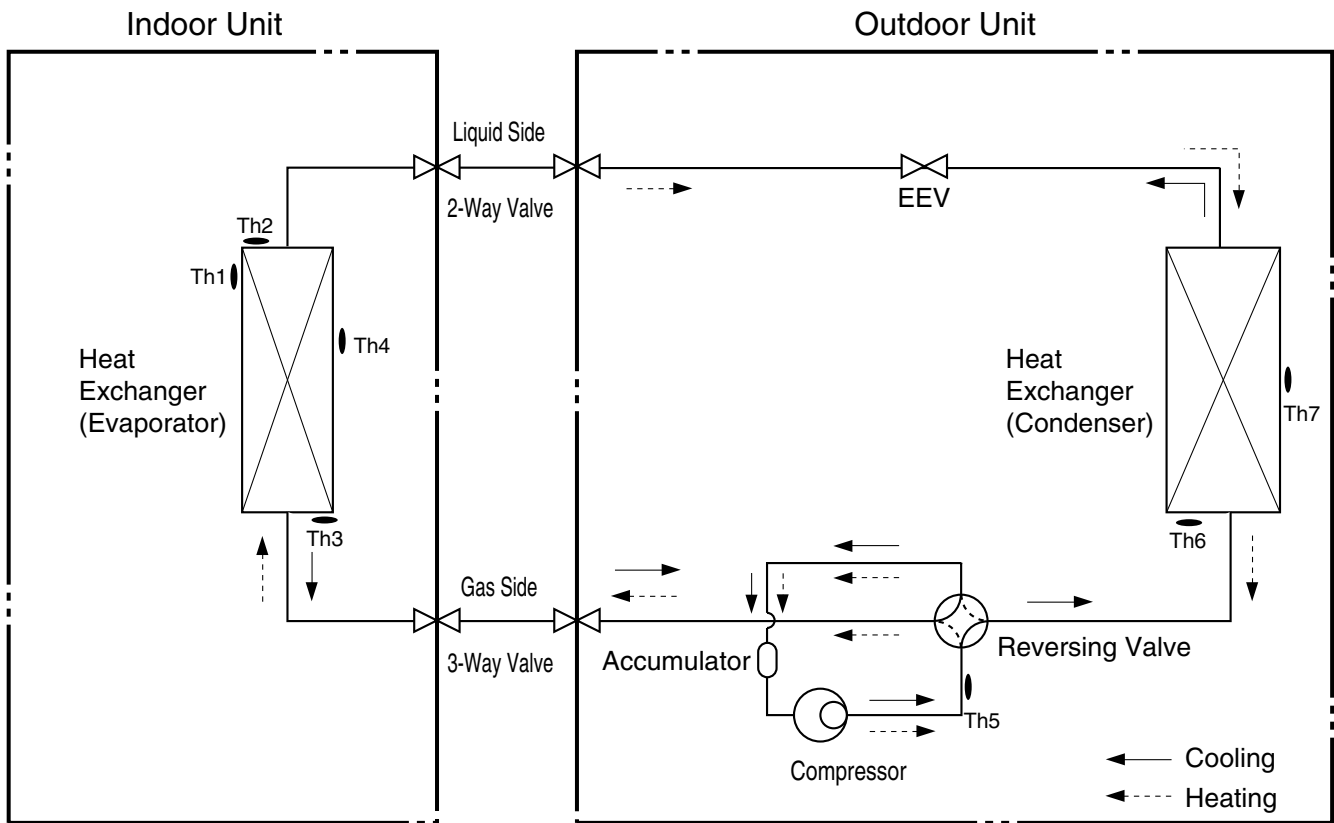
○ : Applied, - : No relation

\* For circuit breaker rating, please conform to local standards wherever necessary.

\* Some of functions are slightly different depending upon models.

\* The specification may be subject to change without notice for purpose of improvement.

## 2. Piping Diagrams

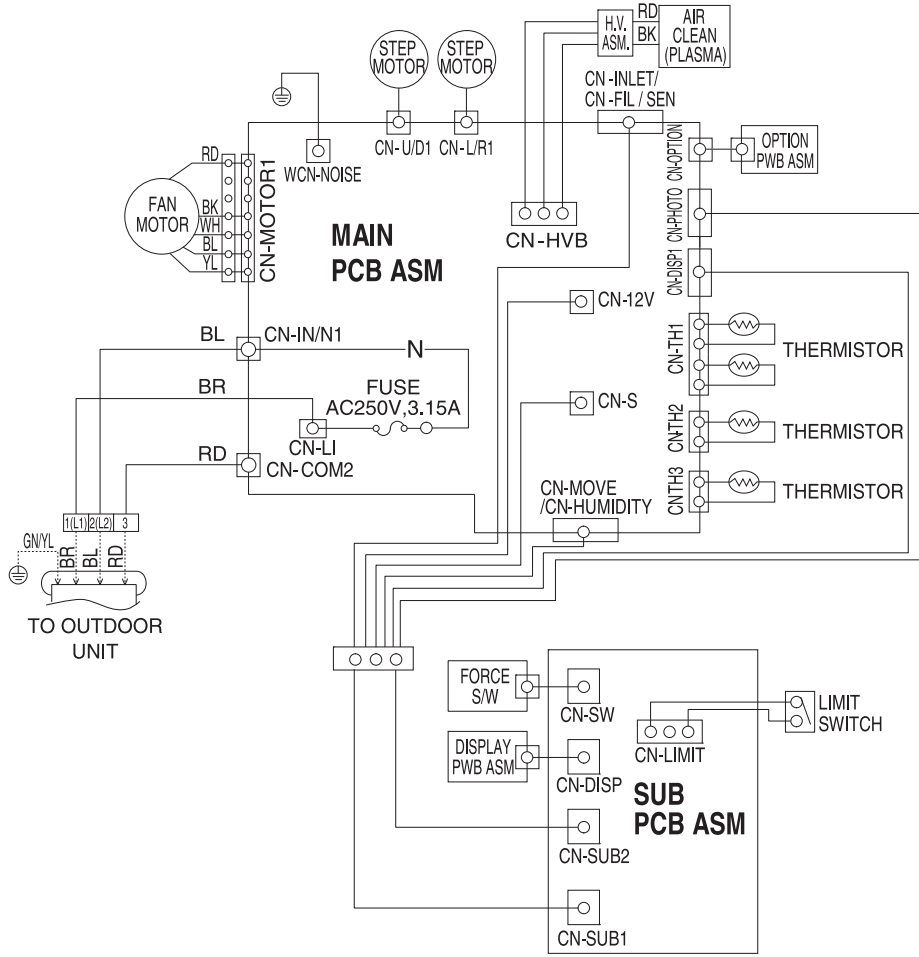


| LOC. | Description                                  | PCB Connector   |
|------|--|-----------------|
| Th1  | Thermistor for suction air temperature       | CN-TH1(Indoor)  |
| Th2  | Thermistor for evaporator inlet temperature  |                 |
| Th3  | Thermistor for evaporator outlet temperature | CN-TH2(Indoor)  |
| Th4  | Thermistor for evaporator middle temperature | CN-TH3(Indoor)  |
| Th5  | Thermistor for discharge pipe temperature    | CN-TH2(OUTDOOR) |
| Th6  | Thermistor for condensing temperature        | CN-TH1(OUTDOOR) |
| Th7  | Thermistor for outdoor air temperature       | CN-TH1(OUTDOOR) |

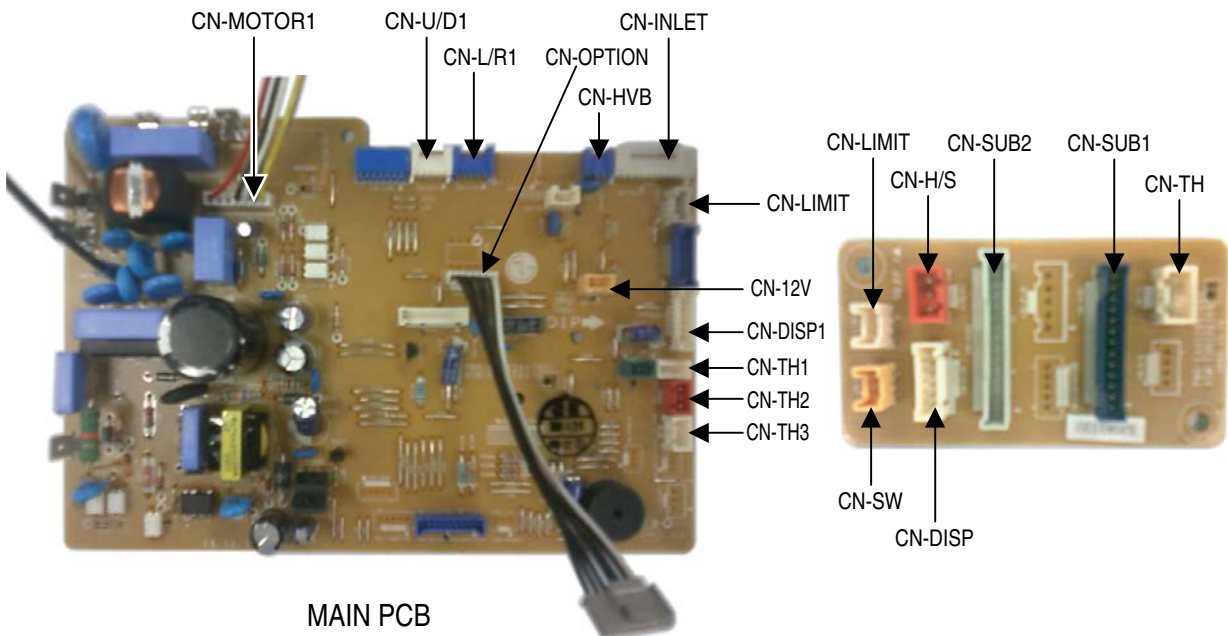
※ EEV : Electronic Expansion Valve

# 3. Wiring Diagrams

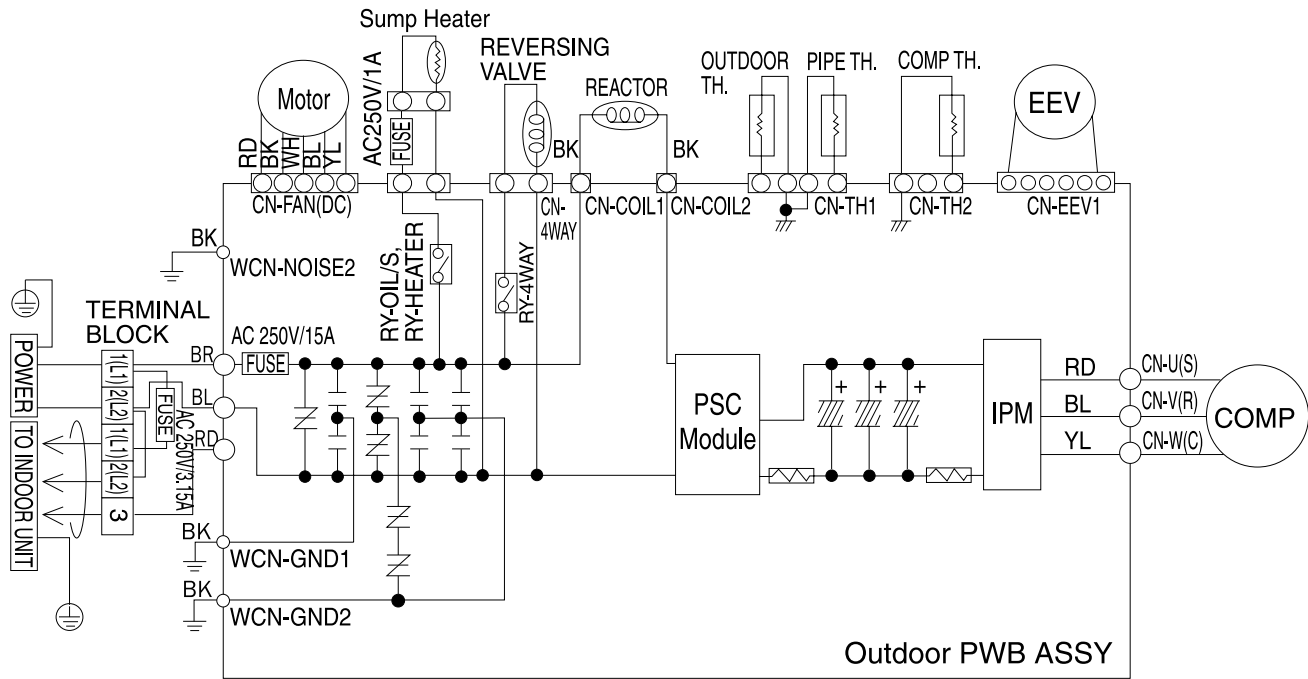
## Indoor Unit



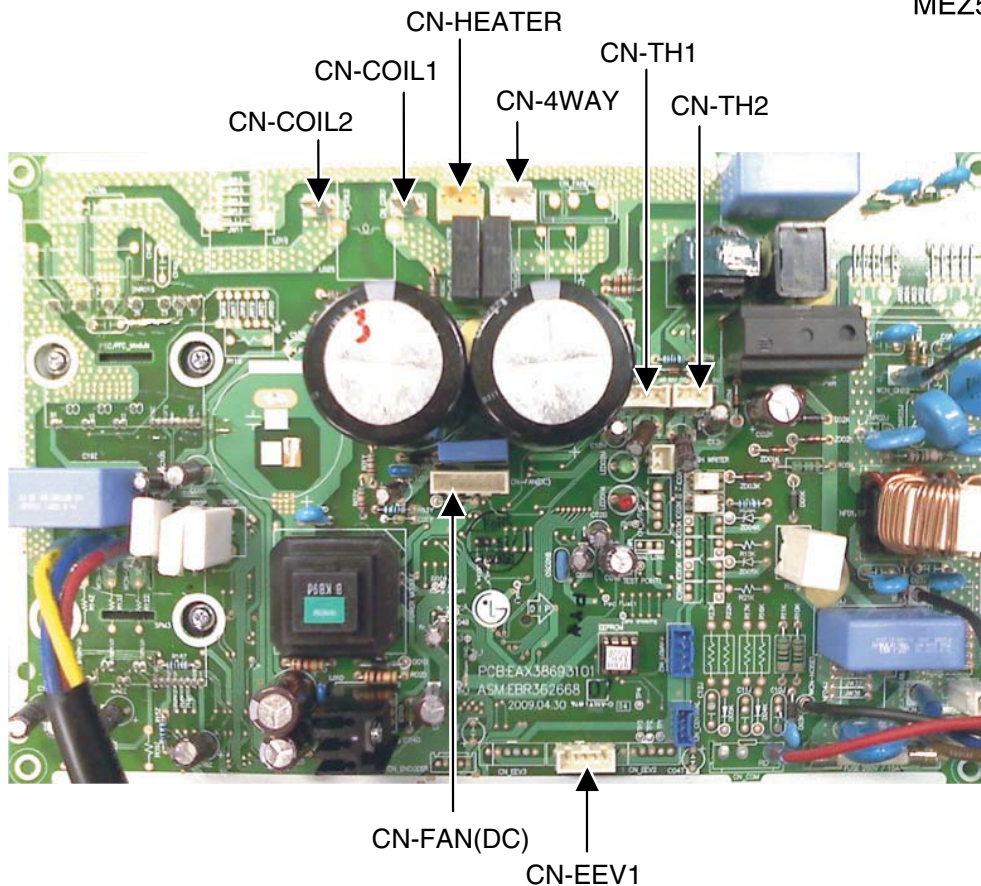
P/No : MEZ41961024



Outdoor Unit

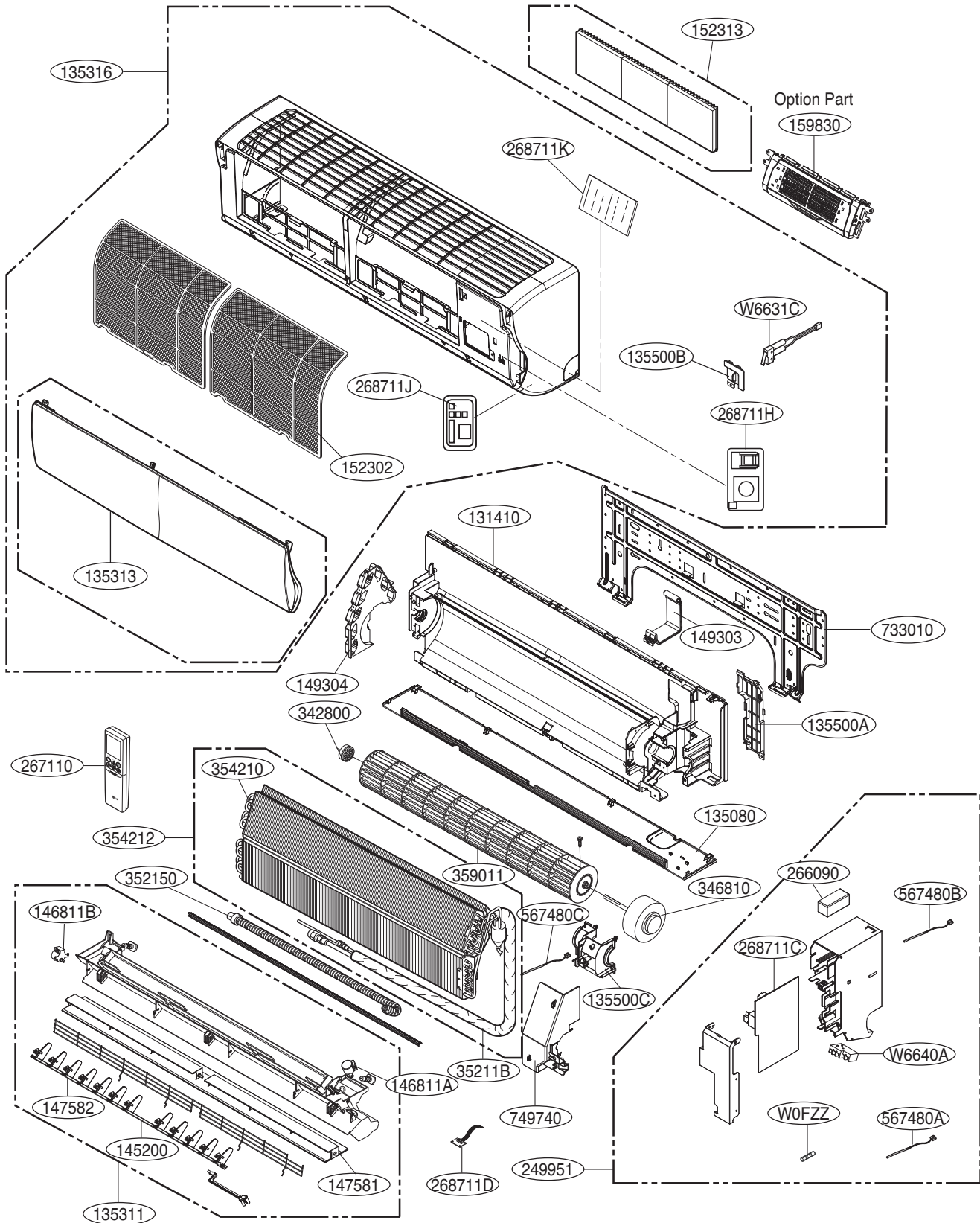


MEZ59862512



# Exploded View

Model : ASNW09/123B1U0







|        |  |
|--------|--|
| US     | 1. Please call the installing contractor of your product, as warranty service will be provided by them.<br>2. If you have service issues that have not been addressed by the contractor, please call 1-888-865-3026. |
| CANADA | Service call Number # : (888) LG Canada, (888) 542-2623  |

P/NO : MFL42684219

February, 2010