

This Owner's Manual is provided and hosted by [Appliance Factory Parts](#).



LG LMHN360HV Owner's Manual

[Shop genuine replacement parts for LG LMHN360HV](#)



[Find Your LG Air Conditioner Parts - Select From 2330 Models](#)

----- Manual continues below -----



Internal Use Only

<http://biz.lgservice.com>

Air Conditioner

SVC MANUAL(Exploded View)

Type : Ceiling Concealed Duct

MODEL : AMNW24GBGA0 [LMHN240HV]
AMNW36GBGA0 [LMHN360HV]

CAUTION

Before Servicing the unit, read the safety precautions in General SVC manual.
Only for authorized service personnel.

1. Specification

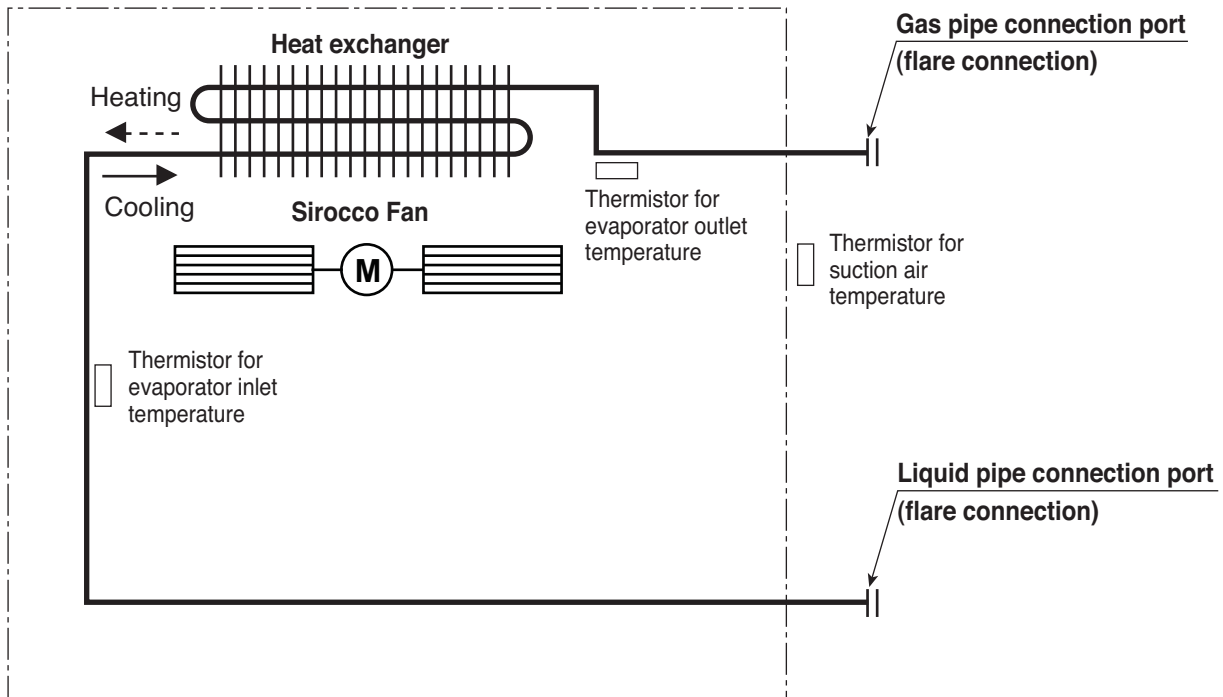
Indoor

Model Name			AMNW24GBGA0 [LMHN240HV]	AMNW36GBGA0 [LMHN360HV]
Power Supply		V, Ø, Hz	208/230, 1, 60 220, 1, 60	208/230, 1, 60 220, 1, 60
Capacity	Nominal	kW Class	7.03	10.6
	Nominal	Btu/h Class	24,000	36,000
Casing Color		-	-	-
Dimensions	Body	W x H x D	mm	1182 x 298 x 450
		W x H x D	inch	46-17/32 x 11-23/32 x 17-23/32
Net Weight	Body	kg (lbs)	36 (79.4)	41 (90.4)
Heat Exchanger	(Row x Column x Fins per inch) x No.		-	(2 x 12 x 21) x 1
	Face Area		m ² (ft ²)	0.26 (2.77) x 1
Fan	Type		-	Sirocco Fan
	Air Flow Rate (Standard Mode)	H / M / L	m ³ /min	19.5 / 17.5 / 15.0
		H / M / L	ft ³ /min	688 / 618 / 530
		External Static Pressure	mmAq(inAq)	4 (0.16)
	Air Flow Rate (High Mode - factory set)	H / M / L	m ³ /min	19.5 / 17.5 / 15.0
		H / M / L	ft ³ /min	688 / 618 / 530
External Static Pressure		mmAq(inAq)	10 (0.39)	
Fan Motor	Type		-	BLDC
	Output		W x No.	154 x 1
	Running Current		A	0.9
Sound Pressure Level (Standard Mode)		H / M / L	dB(A)	37 / 36 / 35
Sound Power Level		Cooling	dB(A)	-
Piping Connections	Liquid		mm(inch)	6.35 (1/4)
	Gas		mm(inch)	12.7 (1/2)
	Drain (O.D / I.D.)		mm(inch)	Ø 32.0(1-1/4) / 25.0(31/32)
Safety Devices		-	Fuse	Fuse
		-	Thermal Protector for Fan Motor	Thermal Protector for Fan Motor
Power and Communication Cable (included Earth)		No. x AWG	4C x 18	4C x 18

Note:

- All data are based on the following conditions:
 - Cooling Temperature : Indoor 26.7°C(80°F) DB / 19.4°C(67°F) WB
Outdoor 35°C(95°F) DB / 23.9°C(75°F) WB
 - Heating Temperature : Indoor 21.1°C(70°F) DB / 15.6°C(60°F) WB
Outdoor 8.33°C(47°F) DB / 6.11°C(43°F) WB
 - Piping Length : Interconnected Pipe Length = 7.5m
 - Difference Limit of Elevation (Outdoor ~ Indoor Unit) is Zero.
- Wiring cable size must comply with the applicable local and national code.
- Due to our policy of innovation some specifications may be changed without notification.
- Sound Level Values are measured at Anechoic chamber.
Therefore, these values can be increased owing to ambient conditions during operation.

2. Piping Diagrams



Description	PCB Connector
Thermistor for suction air temperature	CN-ROOM
Thermistor for evaporator inlet temperature	CN-PIPE / IN
Thermistor for evaporator outlet temperature	CN-PIPE / OUT

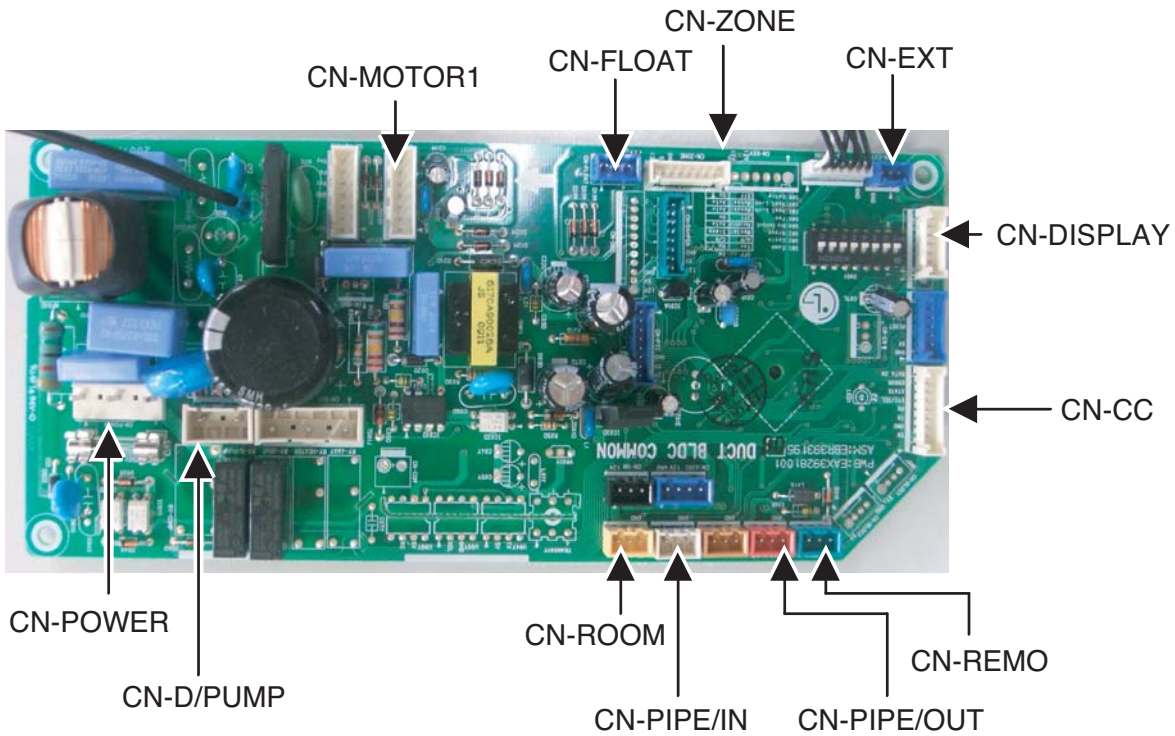
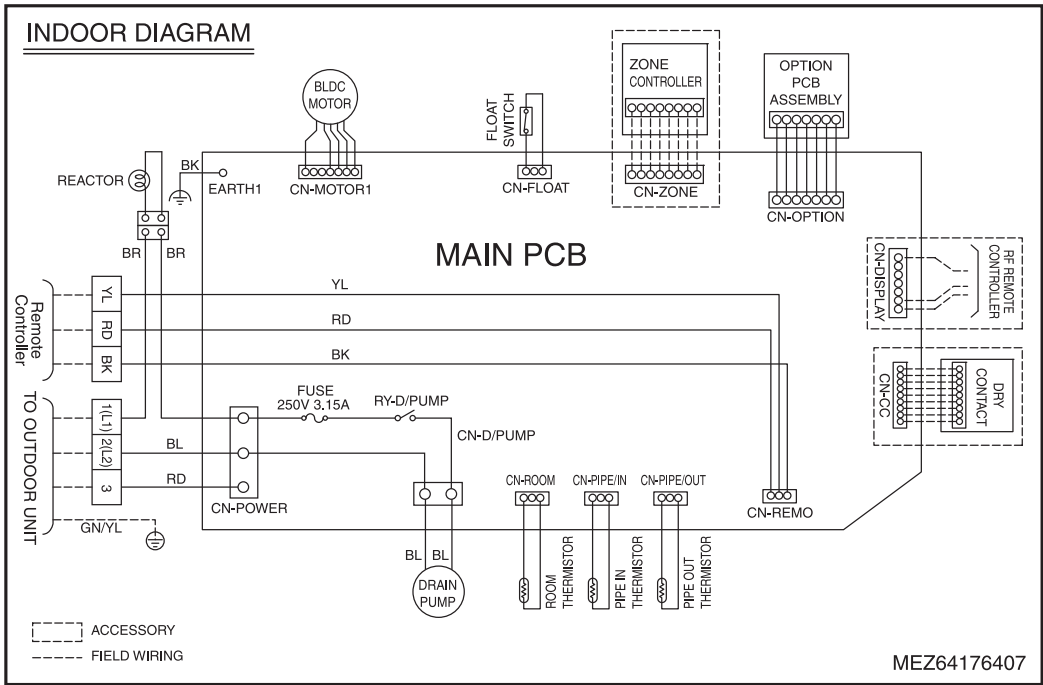
■ Refrigerant pipe connection port diameters

[Unit:mm(inch)]

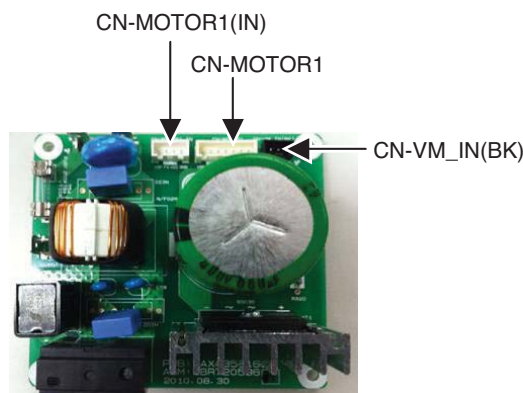
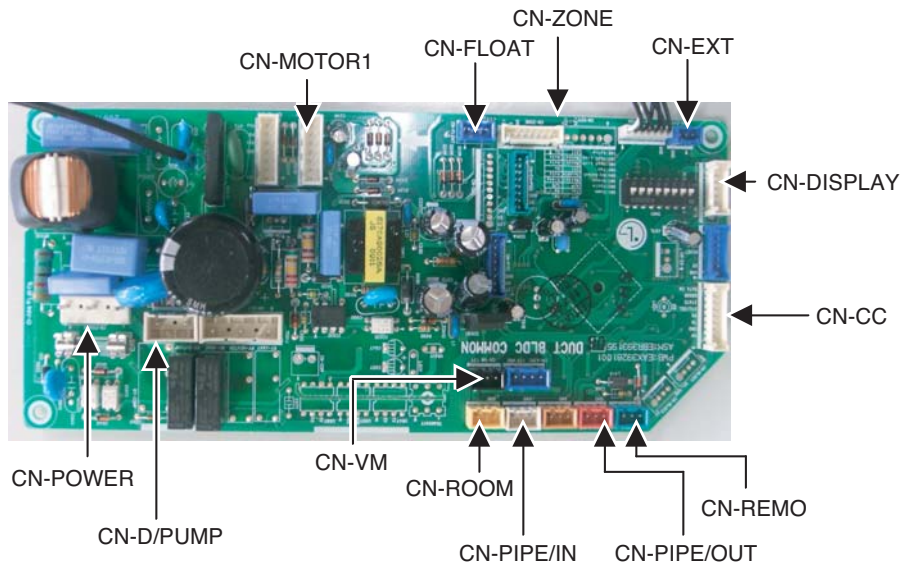
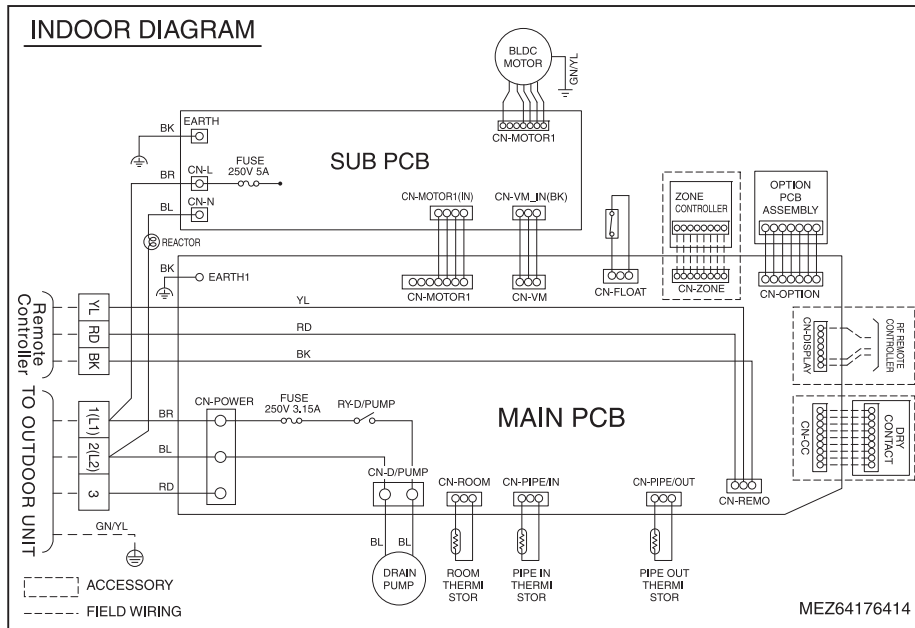
Model	Gas	Liquid
AMNW24GBGA0 [LMHN240HV]	Ø12.7 (1/2)	Ø6.35 (1/4)
AMNW36GBGA0 [LMHN360HV]	Ø15.88 (5/8)	Ø9.52 (3/8)

3. Wiring Diagrams

MODEL : AMNW24GBGA0 [LMHN240HV]

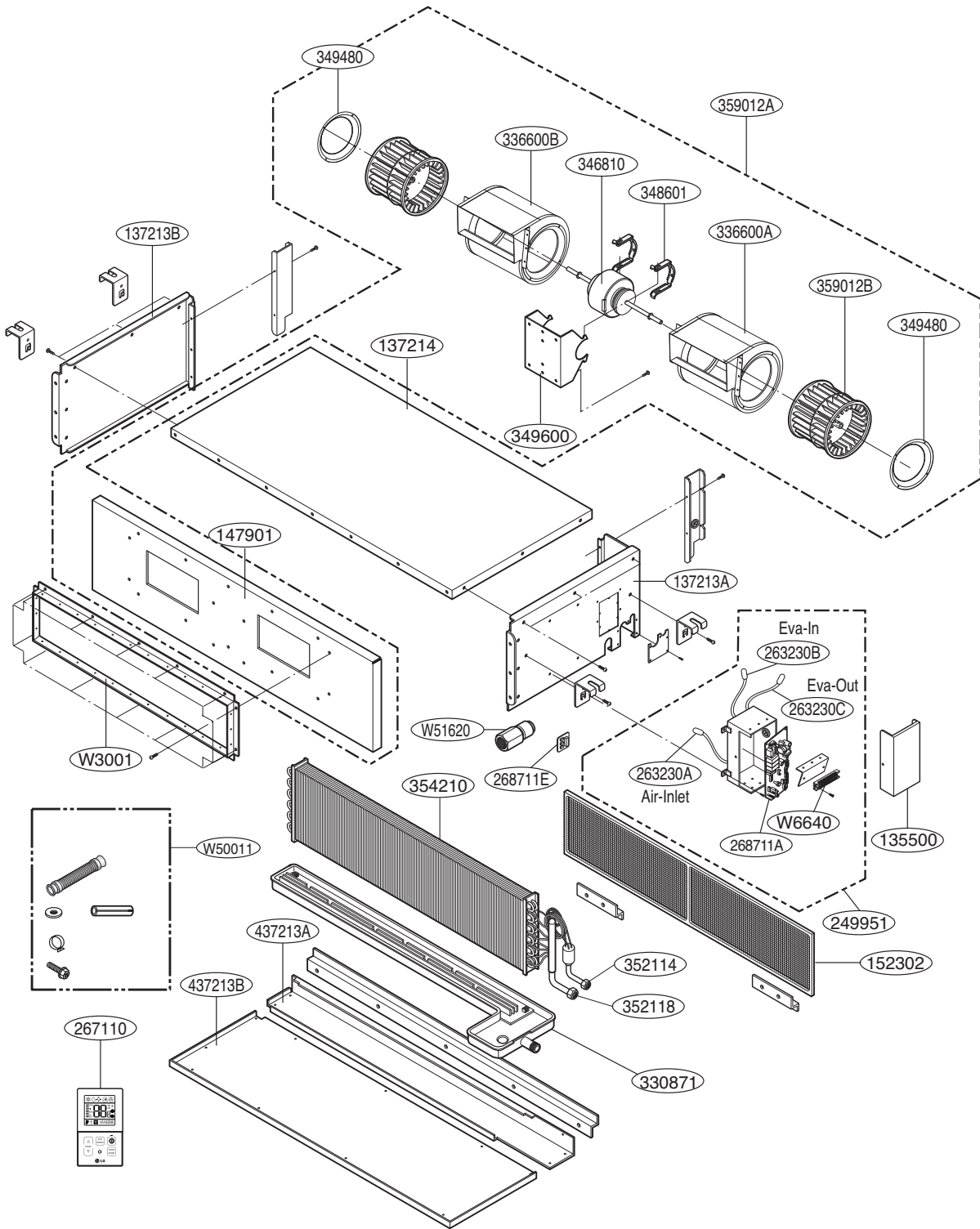


MODEL : AMNW36GBGA0 [LMHN360HV]



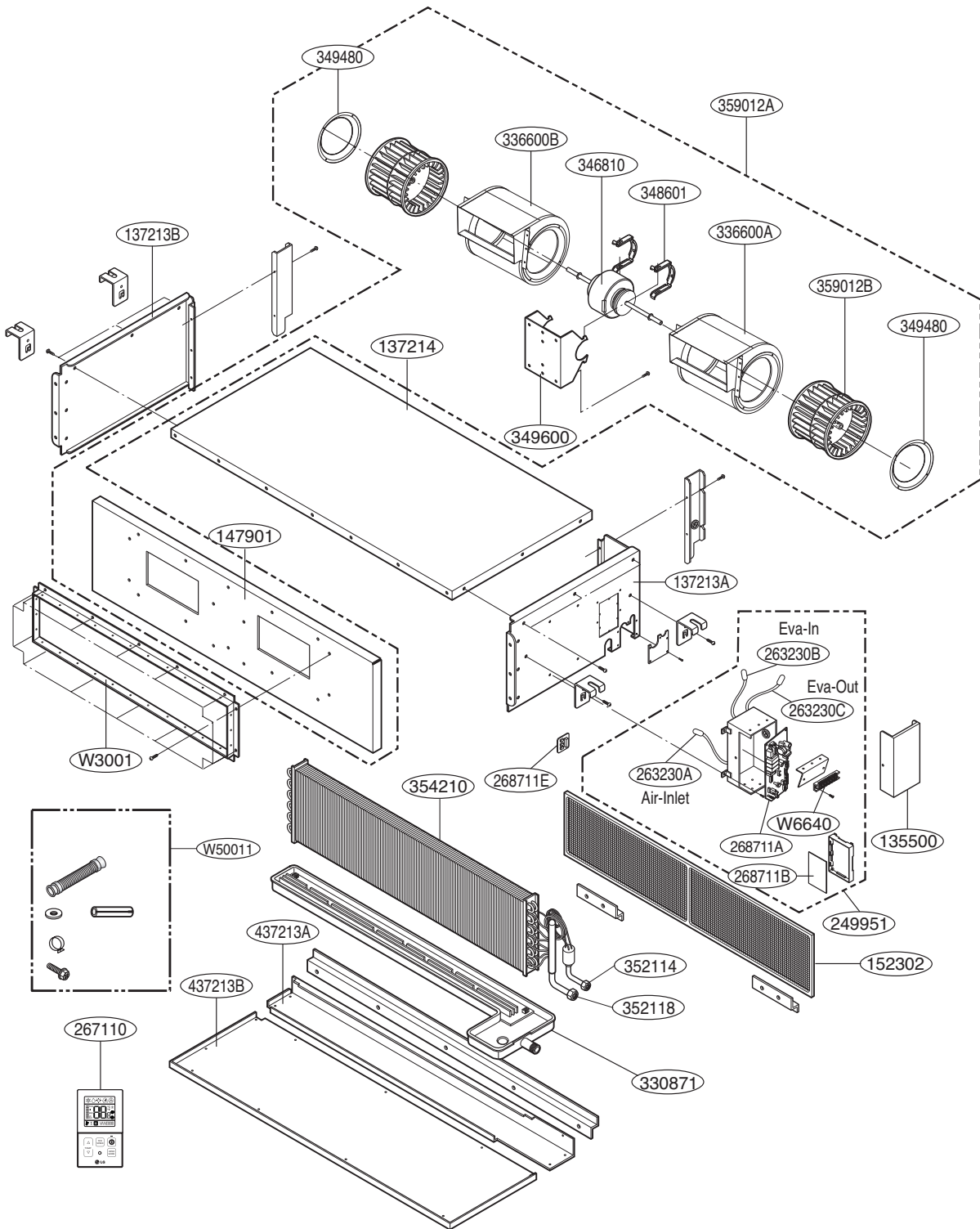
4. Exploded View

MODEL : AMNW24GBGA0 [LMHN240HV]



Location No.	Description	Sensor Information	Housing Color
263230A	Thermistor1(CN_ROOM)	Air-Inlet	Orange
263230B	Thermistor2(CN_PIPE/IN)	Eva-in	White
263230C	Thermistor3(CN_PIPE/OUT)	Eva-out	Red

MODEL : AMNW36GBGA0 [LMHN360HV]



Location No.	Description	Sensor Information	Housing Color
263230A	Thermistor1(CN_ROOM)	Air-Inlet	Orange
263230B	Thermistor2(CN_PIPE/IN)	Eva-in	White
263230C	Thermistor3(CN_PIPE/OUT)	Eva-out	Red



P/NO : MFL67523120

October, 2013