



LG Air Conditioner

SVC MANUAL(Exploded View)

Type: Ceiling Concealed Duct

**MODEL : AMNW09GL1A0 [LMDN096HV]
AMNW12GL2A0 [LMDN126HV]
AMNW18GL2A0 [LMDN186HV]**

CAUTION

Before Servicing the unit, read the safety precautions in General SVC manual.
Only for authorized service personnel.

1. Specification

Indoor

Model Name				AMNW09GL1A0 [LMDN096HV]	
Power Supply			V, Ø, Hz	208/230, 1, 60	
Capacity			Btu/h class	9,000	
Dimensions	Body	W x H x D	mm	700 x 190 x 700	
		W x H x D	inch	27-9/16 x 7-15/32 x 27-9/16	
Net Weight	Body		kg (lbs)	17.5 (38.6)	
Heat Exchanger	(Row x Column x Fins per inch) x No.		-	(2 x 11 x 14) x 1	
	Face Area		m ² (ft ²)	0.12 (1.32)	
Fan	Type		-	Sirocco Fan	
	Air Flow Rate	High-static Mode (Factory Set)	H / M / L	m ³ /min	9.0 / 7.0 / 5.5
			H / M / L	ft ³ /min	318 / 247 / 194
			External Static Pressure	Pa (mmAq)	24.5 (2.5)
Fan Motor	Type		-	BLDC	
	Output		W x No.	19 x 1	
Dehumidification Rate			l/h (pts/h)	1.1 (2.3)	
Sound Pressure Level		H / M / L	dB(A)	30 / 26 / 23	
Sound Power Level		Max.	dB(A)	49	
Piping Connections	Liquid		mm(inch)	Ø 6.35 (1/4)	
	Gas		mm(inch)	Ø 9.52 (3/8)	
	Drain (O.D. / I.D.)		mm(inch)	Ø 32.0(1-1/4) / 25.0(31/32)	
Safety Devices			-	Fuse	
			-	-	
Power and Communication Cable (included Earth)			No. x mm ² (AWG)	4C x 0.75 (18)	

Note:

1. Wiring cable size must comply with the applicable local and national code.
2. Due to our policy of innovation some specifications may be changed without notification.
3. Sound Level Values are measured at Anechoic chamber.
Therefore, these values can be increased(maximum 3dB(A)) owing to ambient conditions during operation.

Conversion Formula
kW = Btu/h x 0.0002931
cfm = CMM x 35.3

Model Name				AMNW12GL2A0 [LMDN126HV]	AMNW18GL2A0 [LMDN186HV]	
Power Supply			V, Ø, Hz	208/230, 1, 60	208/230, 1, 60	
Capacity			Btu/h class	12,000	18,000	
Dimensions	Body	W x H x D	mm	900 x 190 x 700	900 x 190 x 700	
		W x H x D	inch	35-7/16 x 7-15/32 x 27-9/16	35-7/16 x 7-15/32 x 27-9/16	
Net Weight	Body		kg (lbs)	22.0(48.5)	22.0(48.5)	
Heat Exchanger	(Row x Column x Fins per inch) x No.		-	(2 x 11 x 18) x 1	(2 x 11 x 18) x 1	
	Face Area		m ² (ft ²)	0.17 (1.81)	0.17 (1.81)	
Fan	Type		-	Sirocco Fan	Sirocco Fan	
	Air Flow Rate	High-static Mode (Factory Set)	H / M / L	m ³ /min	10.0 / 8.5 / 7.0	15.0 / 12.5 / 10.0
			H / M / L	ft ³ /min	353 / 300 / 247	530 / 441 / 353
			External Static Pressure	Pa (mmAq)	24.5 (2.5)	24.5 (2.5)
Fan Motor	Type		-	BLDC	BLDC	
	Output		W x No.	19 x 1, 5 x 1	19 x 1, 5 x 1	
Dehumidification Rate			l/h (pts/h)	1.2 (2.6)	1.7 (3.6)	
Sound Pressure Level		H / M / L	dB(A)	31 / 28 / 27	36 / 34 / 31	
Sound Power Level		Max.	dB(A)	52	54	
Piping Connections	Liquid		mm(inch)	Ø 6.35 (1/4)	Ø 6.35 (1/4)	
	Gas		mm(inch)	Ø 9.52 (3/8)	Ø 12.7 (1/2)	
	Drain (O.D. / I.D.)		mm(inch)	Ø 32.0(1-1/4) / 25.0(31/32)	Ø 32.0(1-1/4) / 25.0(31/32)	
Safety Devices			-	Fuse	Fuse	
			-	-	-	
Power and Communication Cable (included Earth)			No. x mm ² (AWG)	4C x 0.75 (18)	4C x 0.75 (18)	

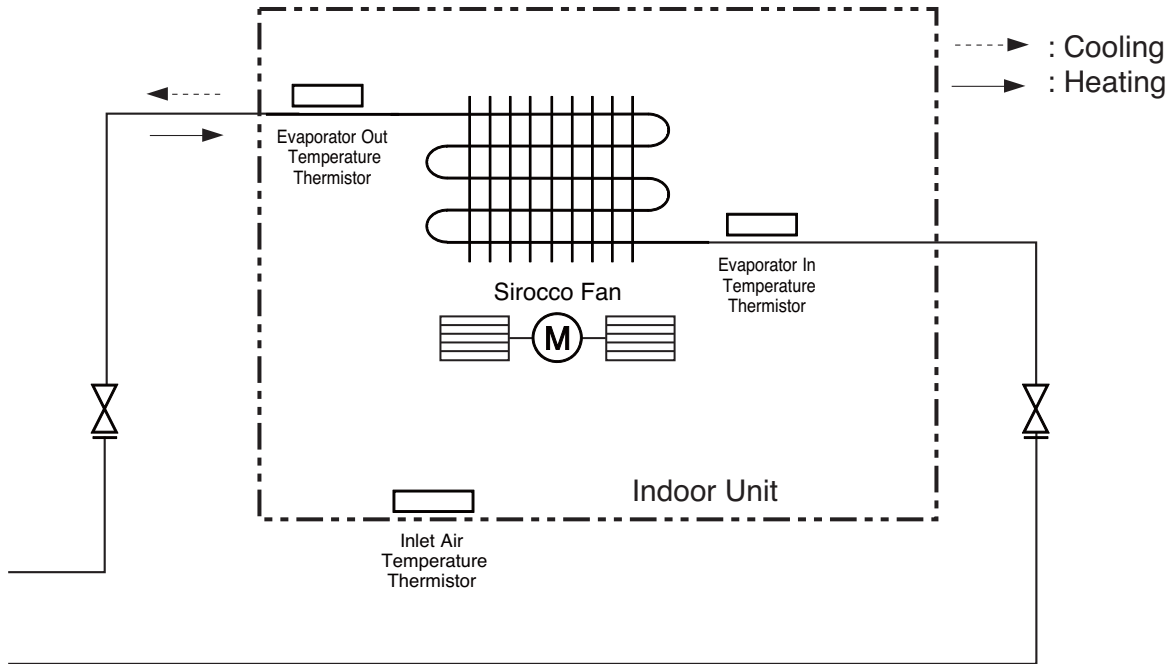
Note:

1. Wiring cable size must comply with the applicable local and national code.
2. Due to our policy of innovation some specifications may be changed without notification.
3. Sound Level Values are measured at Anechoic chamber.
Therefore, these values can be increased(maximum 3dB(A)) owing to ambient conditions during operation.

Conversion Formula
kW = Btu/h x 0.0002931
cfm = CMM x 35.3

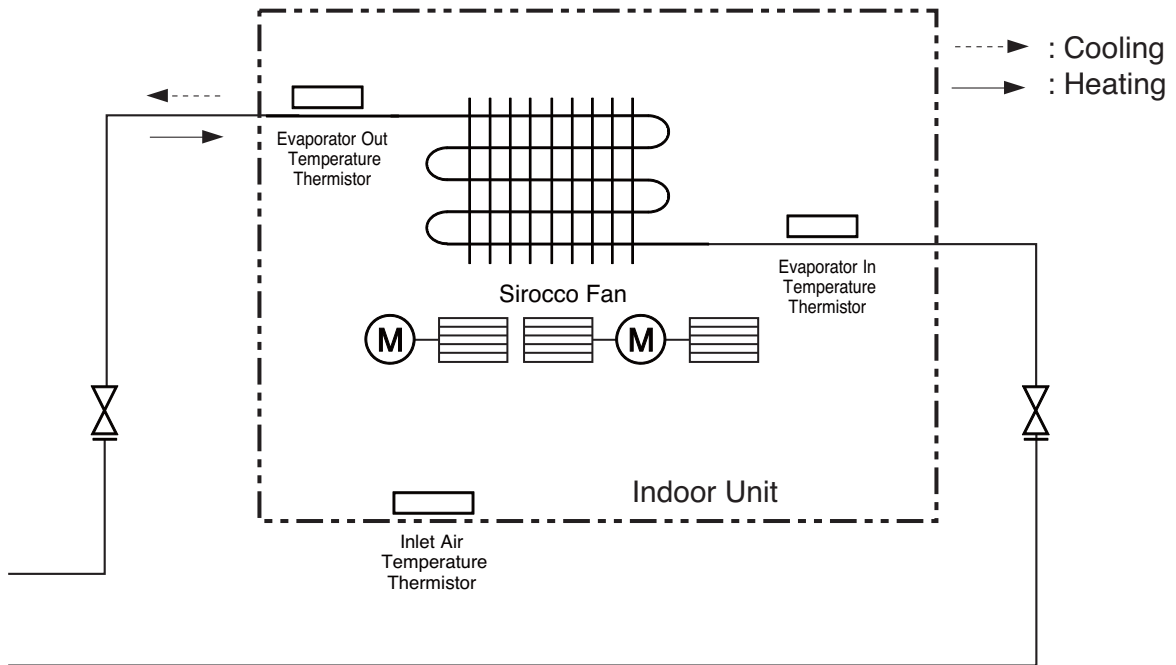
2. Piping Diagrams

Model : AMNW09GL1A0 [LMDN096HV]



Description	PCB Connector
Inlet Air Temperature Thermistor	CN-ROOM
Evaporator In Temperature Thermistor	CN-PIPE/IN
Evaporator Out Temperature Thermistor	CN-PIPE/OUT

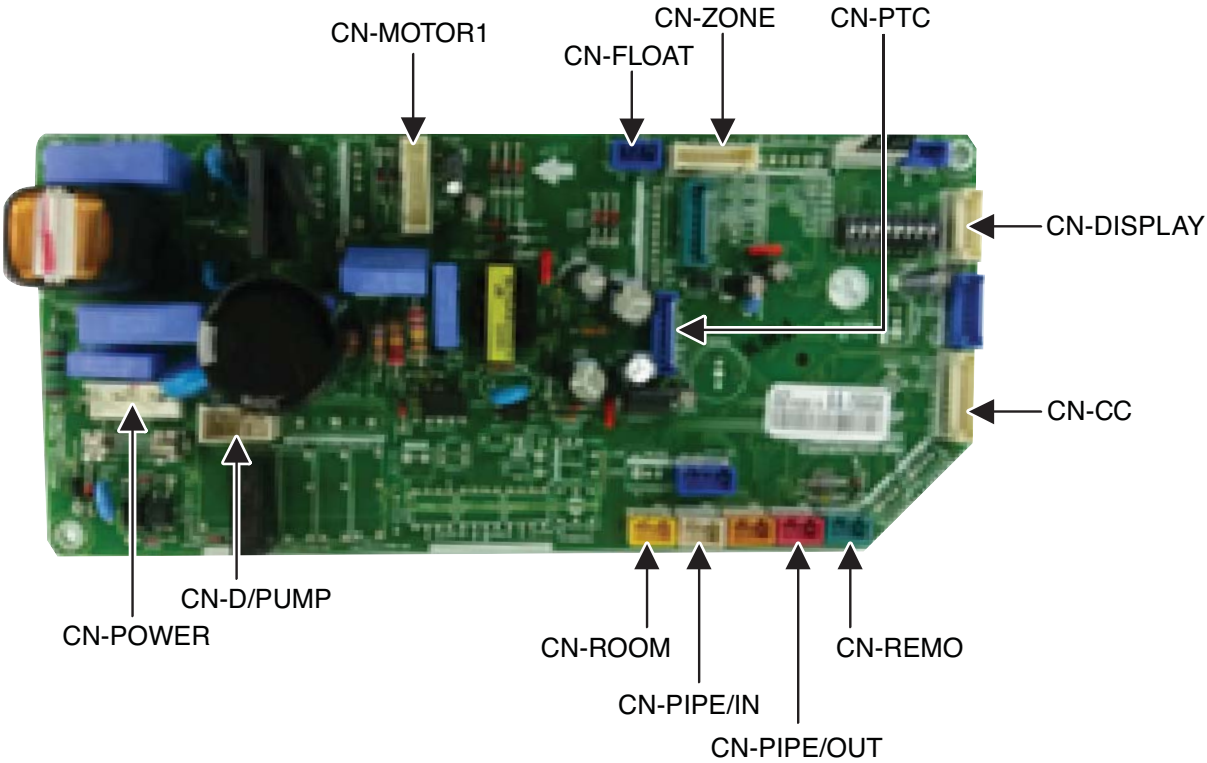
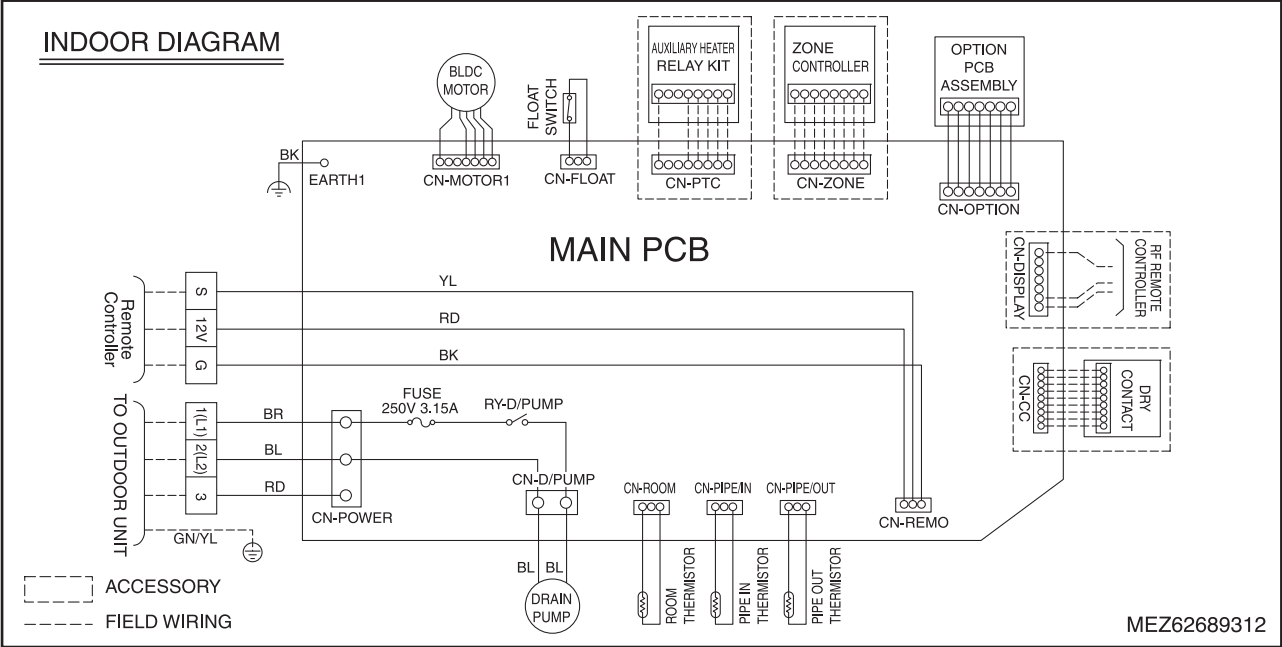
Model : AMNW12GL2A0 [LMDN126HV]
 AMNW18GL2A0 [LMDN186HV]



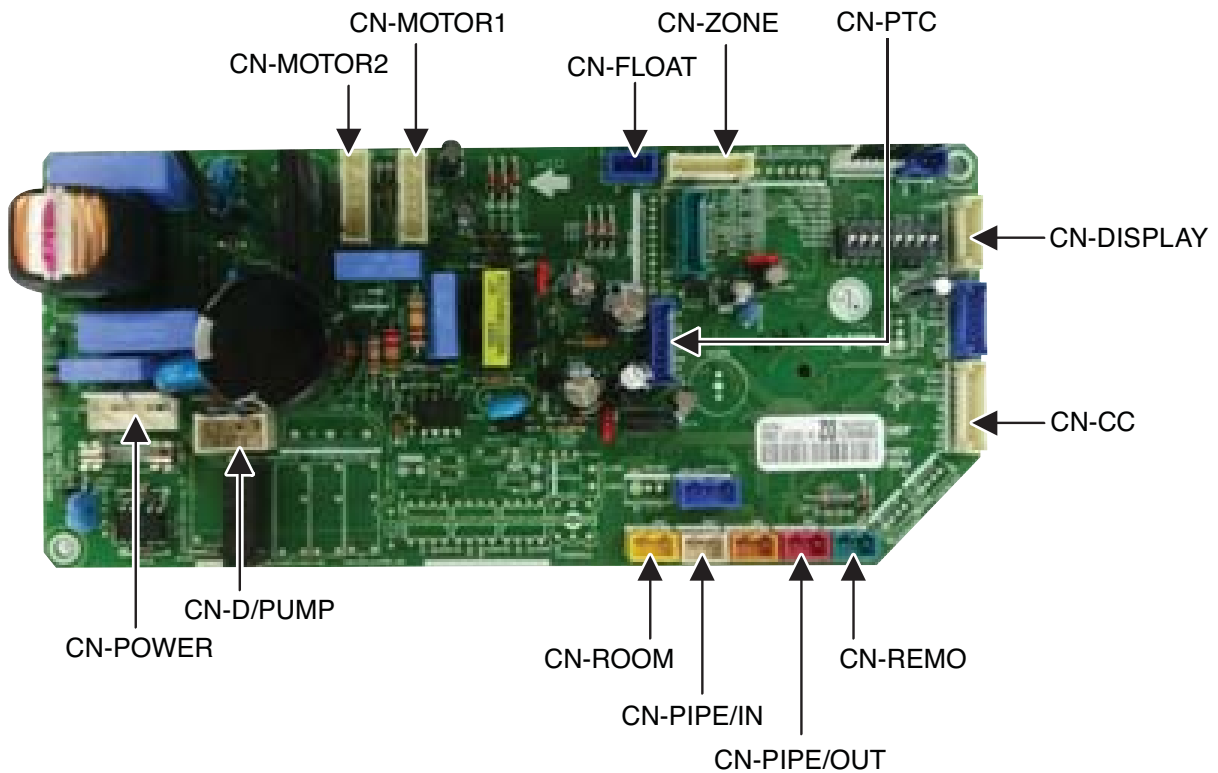
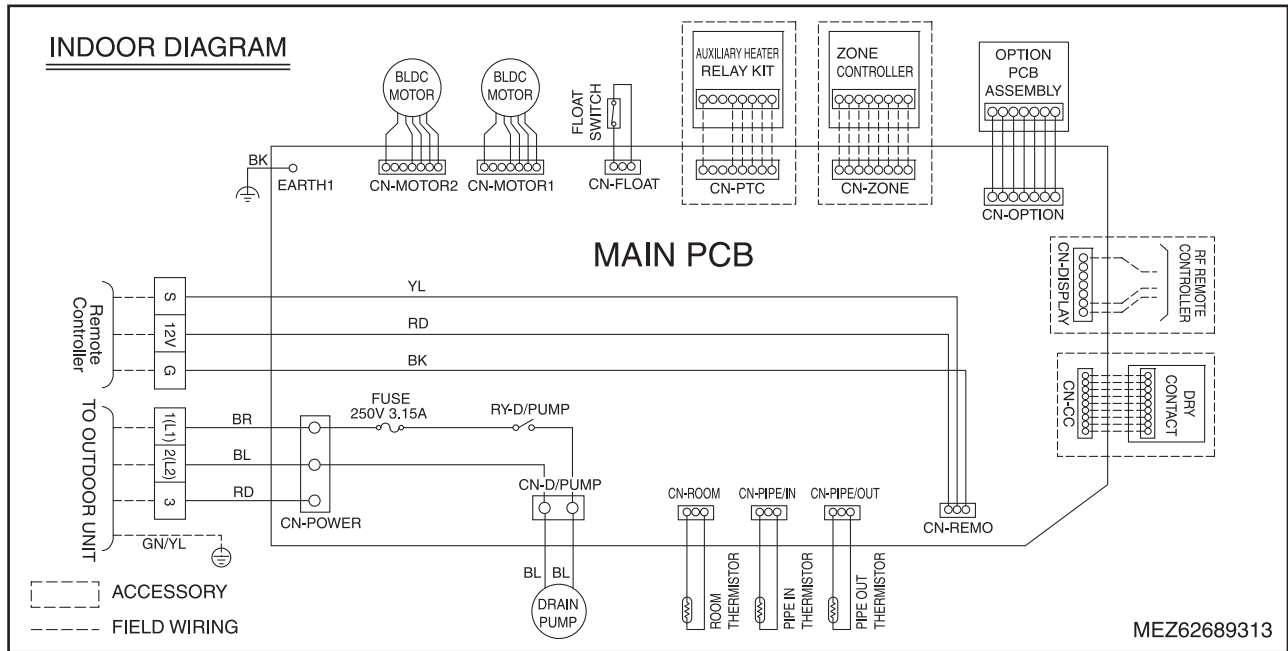
Description	PCB Connector
Inlet Air Temperature Thermistor	CN-ROOM
Evaporator In Temperature Thermistor	CN-PIPE/IN
Evaporator Out Temperature Thermistor	CN-PIPE/OUT

3. Wiring Diagrams

L1 Chassis

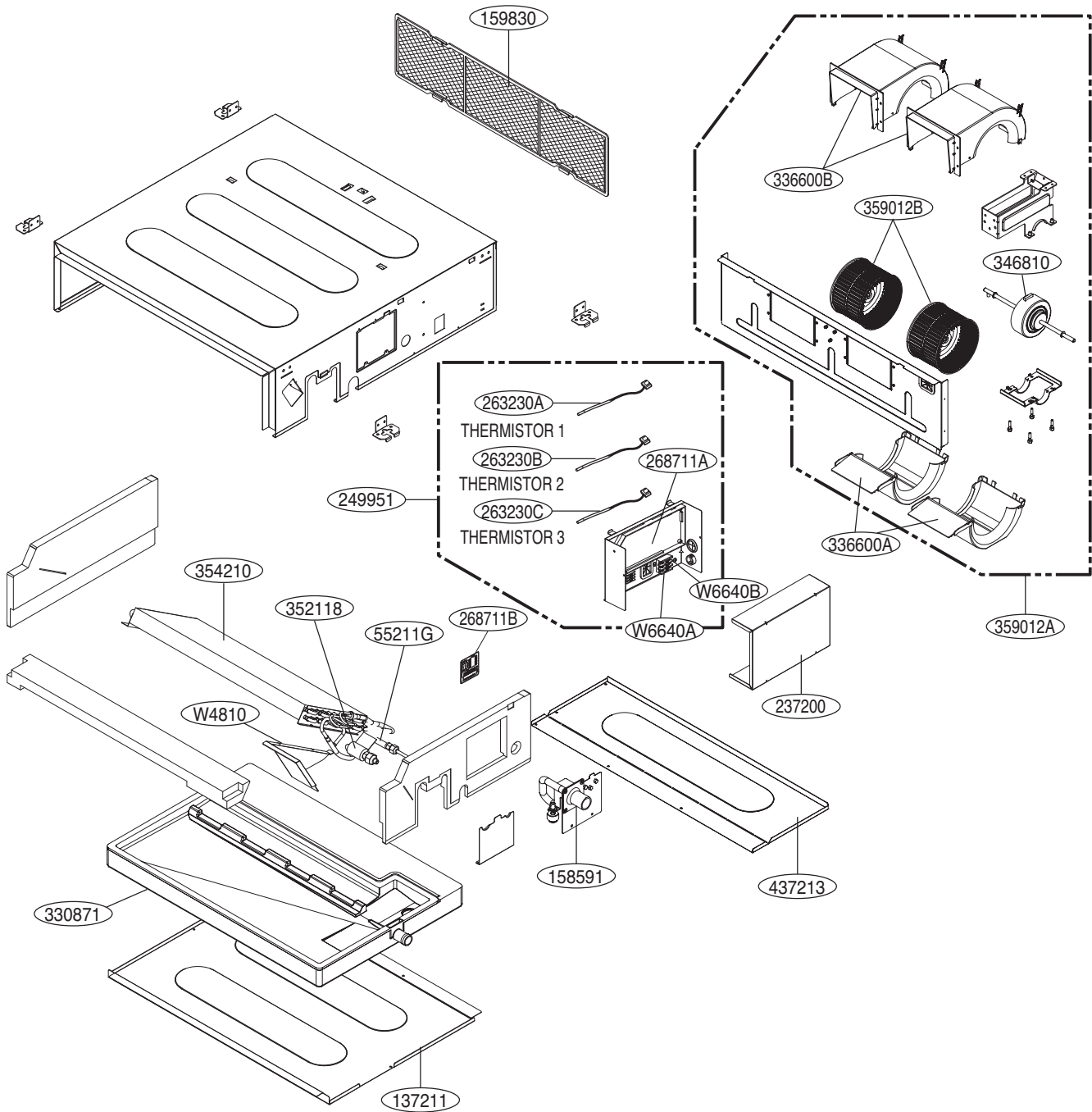


L2 Chassis



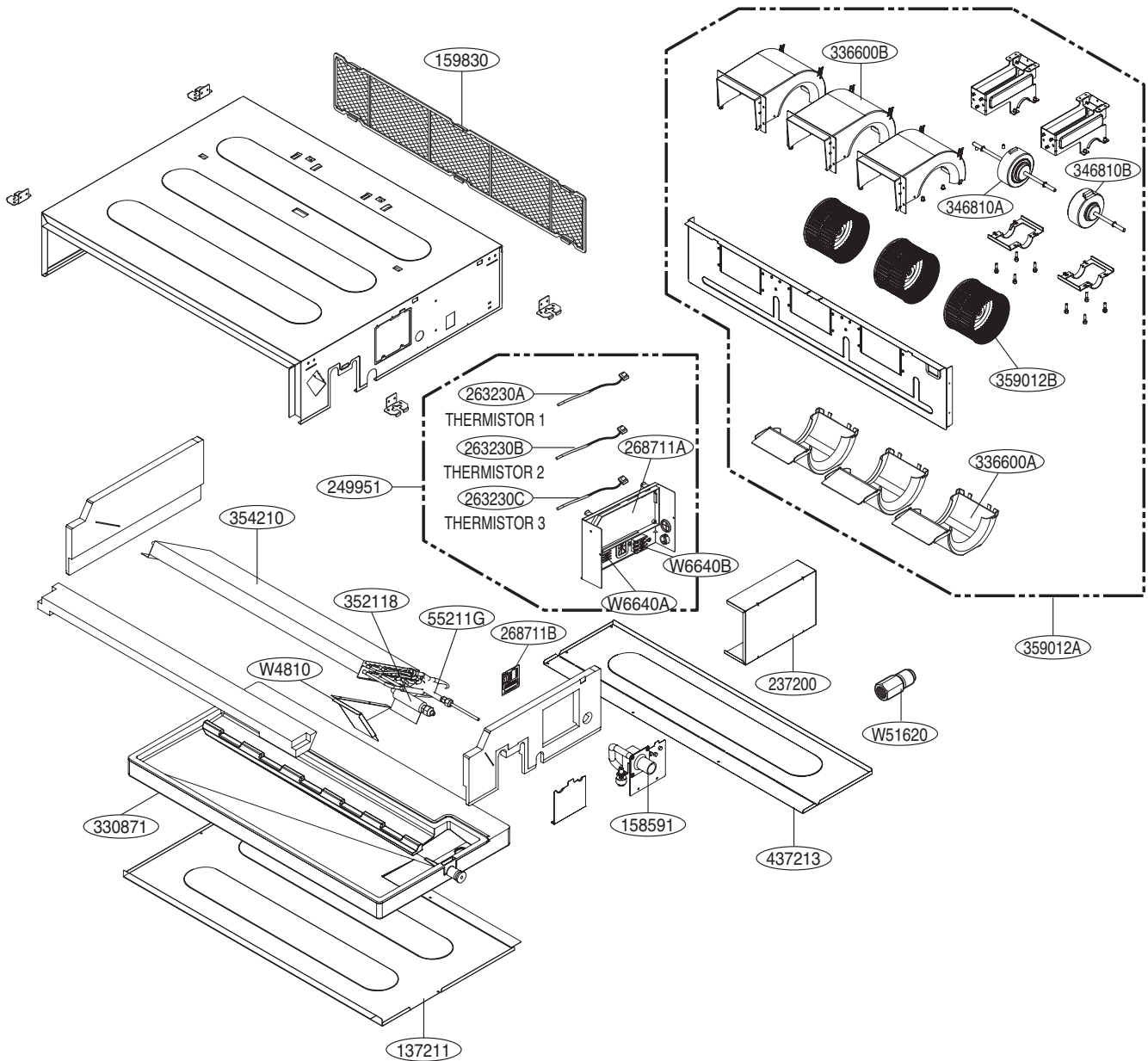
4. Exploded View

L1 Chassis



Thermistor 1	263230A	Air	Housing color : yellow
Thermistor 2	263230B	Eva. in	Housing color : white
Thermistor 3	263230C	Eva. out	Housing color : red

L2 Chassis



Thermistor 1	263230A	Air	Housing color : yellow
Thermistor 2	263230B	Eva. in	Housing color : white
Thermistor 3	263230C	Eva. out	Housing color : red



P/NO : MFL67523125

December, 2013