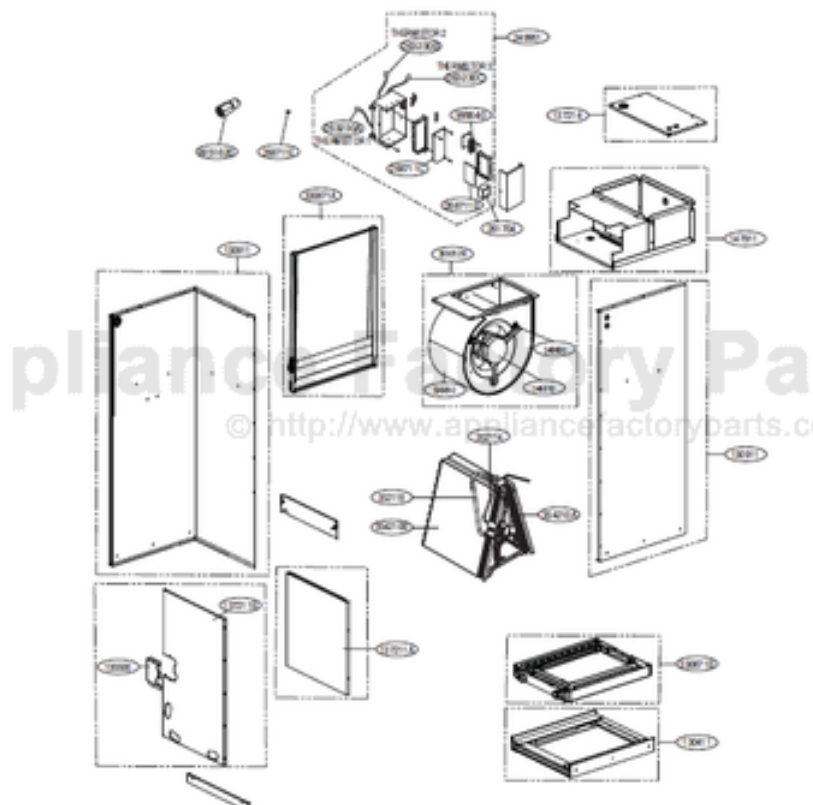


This Owner's Manual is provided and hosted by [Appliance Factory Parts](http://www.appliancefactoryparts.com).



# LG LMVN360HV Owner's Manual

[Shop genuine replacement parts for LG LMVN360HV](#)



[Find Your LG Air Conditioner Parts - Select From 2330 Models](#)

----- Manual continues below -----



Internal Use Only

<http://biz.lgservice.com>

# Air Conditioner

## SVC MANUAL(Exploded View)

**Type : Vertical Air Handling Unit**

**MODEL : AMNW24GNJA0 [LMVN240HV]  
AMNW36GNJA0 [LMVN360HV]**

### **CAUTION**

Before Servicing the unit, read the safety precautions in General SVC manual.  
Only for authorized service personnel.

# 1. Specification

| Model Name                                     |                                      |                      | AMNW24GNJA0<br>[LMVN240HV]        | AMNW36GNJA0<br>[LMVN360HV]      |
|--|--------------------------------------|----------------------|-----------------------------------|---------------------------------|
| Power Supply                                   |                                      | V, Ø, Hz             | 208/230, 1, 60<br>220, 1, 60      | 208/230, 1, 60<br>220, 1, 60    |
| Capacity                                       | Nominal                              | kW Class             | 7.03                              | 10.6                            |
|  | Nominal                              | Btu/h Class          | 24,000                            | 36,000                          |
| Casing Color                                   |                                      | -                    | Morning fog                       | Morning fog                     |
| Dimensions                                     | Body                                 | W x H x D            | mm                                | 457 x 1236 x 540                |
|  |                                      | W x H x D            | inch                              | 18 x 48-21/32 x 21-1/4          |
| Net Weight                                     | Body                                 | kg (lbs)             | 53 (117)                          | 55 (121)                        |
| Heat Exchanger                                 | (Row x Column x Fins per inch) x No. |                      | -                                 | (2 x 24 x 18) x 2               |
|  | Face Area                            |                      | m <sup>2</sup> (ft <sup>2</sup> ) | 0.22 (2.37) x 2                 |
| Fan  | Type                                 |                      | -                                 | Sirocco Fan                     |
|  | Air Flow Rate<br>(0.3 inch)          | H / M / L            | ft <sup>3</sup> /min              | 20.1 / 18.1 / 13.6              |
|  |                                      | H / M / L            | ft <sup>3</sup> /min              | 710 / 640 / 480                 |
|  | Air Flow Rate<br>(0.5 inch)          | H / M / L            | ft <sup>3</sup> /min              | 20.1 / 18.1 / 13.6              |
| H / M / L                                      |                                      | ft <sup>3</sup> /min | 710 / 640 / 480                   |                                 |
| Fan Motor                                      | Type                                 |                      | -                                 | BLDC                            |
|  | Output                               |                      | W x No.                           | 96 x 1                          |
|  | Running Current                      |                      | A                                 | 0.59                            |
| Sound Pressure Level (0.3 inch ESP)            | H / M / L                            | dB(A)                | 43 / 42 / 41                      | 45 / 44 / 43                    |
| Sound Power Level                              | Cooling                              | dB(A)                | -                                 | -                               |
| Piping Connections                             | Liquid                               |                      | mm(inch)                          | 6.35 (1/4)                      |
|  | Gas                                  |                      | mm(inch)                          | 12.7 (1/2)                      |
|  | Drain_Primary (I.D.)                 |                      | mm(inch)                          | 19.05 (3/4FPT)                  |
|  | Drain_Secondary (I.D.)               |                      | mm(inch)                          | 19.05 (3/4FPT)                  |
| Air Filter                                     |                                      | -                    | -                                 | -                               |
| Safety Devices                                 |                                      | -                    | Fuse                              | Fuse                            |
|  |                                      | -                    | Thermal Protector for Fan Motor   | Thermal Protector for Fan Motor |
| Power and Communication Cable (included Earth) |                                      | No. x AWG            | 4C x 18                           | 4C x 18                         |

**Notes:**

- All data are based on the following conditions
  - Cooling Temperature : Indoor 27°C(80.6°F) DB / 19°C(66.2°F) WB  
Outdoor 35°C(95°F) DB / 24°C(75.2°F) WB
  - Heating Temperature : Indoor 20°C(68°F) DB / 15°C(59°F) WB  
Outdoor 7°C(44.6°F) DB / 6°C(42.8°F) WB
  - Piping Length : Interconnected Pipe Length = 7.5m
  - Difference Limit of Elevation (Outdoor ~ Indoor Unit) is Zero.
- Wiring cable size must comply with the applicable local and national code.
- Due to our policy of innovation some specifications may be changed without notification.
- Sound measured at 1m(3.3ft) away from the center of the unit.  
The values depends on the ambient conditions and values are normally higher in actual operation.

## 2. List of Functions

| Category             | Functions                                     | AMNW24GNJA0 [LMVN240HV]<br>AMNW36GNJA0 [LMVN360HV] |
|----------------------|---|--|
| Air flow             | Air supply outlet                             | 1  |
|                      | Airflow direction control (left & right)      | X  |
|                      | Airflow direction control (up & down)         | X  |
|                      | Auto swing (left & right)                     | X  |
|                      | Auto swing (up & down)                        | X  |
|                      | Airflow steps (fan/cool/heat)                 | 3 / 3 / 3  |
|                      | Chaos wind(auto wind)                         | X  |
|                      | Jet cool/heat                                 | X / X  |
|                      | Swirl wind                                    | X  |
| Air purifying        | Triple filter (Deodorizing)                   | X  |
|                      | Plasma air purifier                           | X  |
|                      | Allergy Safe filter                           | X  |
|                      | Long-life prefilter (washable / anti-fungus)  | X  |
| Installation         | Drain pump                                    | X  |
|                      | E.S.P. control                                | O  |
|                      | Electric heater                               | ANEH053B1(5kW) / ANEH103B2(10kW)                   |
|                      | High ceiling operation                        | X  |
|                      | Auto Elevation Grille                         | X  |
| Reliability          | Hot start                                     | O  |
|                      | Self diagnosis                                | O  |
|                      | Soft dry operation                            | O  |
| Convenience          | Auto changeover                               | X  |
|                      | Auto cleaning                                 | X  |
|                      | Auto operation(artificial intelligence)       | O  |
|                      | Auto Restart                                  | O  |
|                      | Child lock                                    | O  |
|                      | Forced operation                              | X  |
|                      | Group control                                 | O  |
|                      | Sleep mode                                    | O  |
|                      | Timer(on/off)                                 | O  |
|                      | Timer(weekly)                                 | O  |
| Individual control   | Standard Wired remote controller              | PREMTB10U  |
|                      | Deluxe wired remote controller                | X  |
|                      | Simple wired remote controller                | O  |
|                      | Simple Wired remote controller(for hotel use) | X  |
|                      | Wireless remote controller*                   | PQWRHQ0FDB   |
| Network function     | General central controller (Non LGAP)         | X  |
|                      | Network Solution(LGAP)                        | O  |
|                      | Dry contact                                   | PQDSA(1) / PQDSB(1) / PQDSBC / PQDSBNGCM1          |
|                      | PI 485(for Indoor Unit)                       | X  |
| Special function kit | Zone controller                               | X  |
|                      | CTI(Communication transfer interface)         | X  |
|                      | Electronic thermostat                         | X  |
| Others               | Remote temperature sensor                     | PQRSTA0  |
|                      | Group control wire                            | PZCWRCG3   |
|                      | Telecom shelter controller                    | X  |

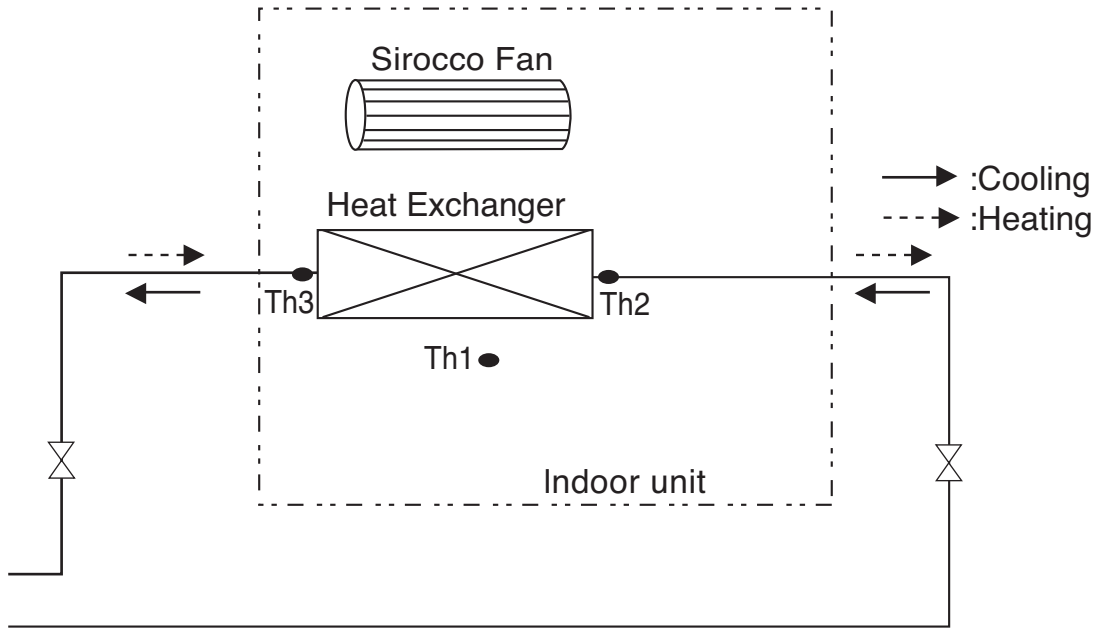
### Note

1. \* : These functions need to connect the wired remote controller.

O : Applied      X : Not applied

Accessory model name : Installed at field, ordered and purchased separately by the corresponding model name, supplied with separate package.

### 3. Piping Diagrams



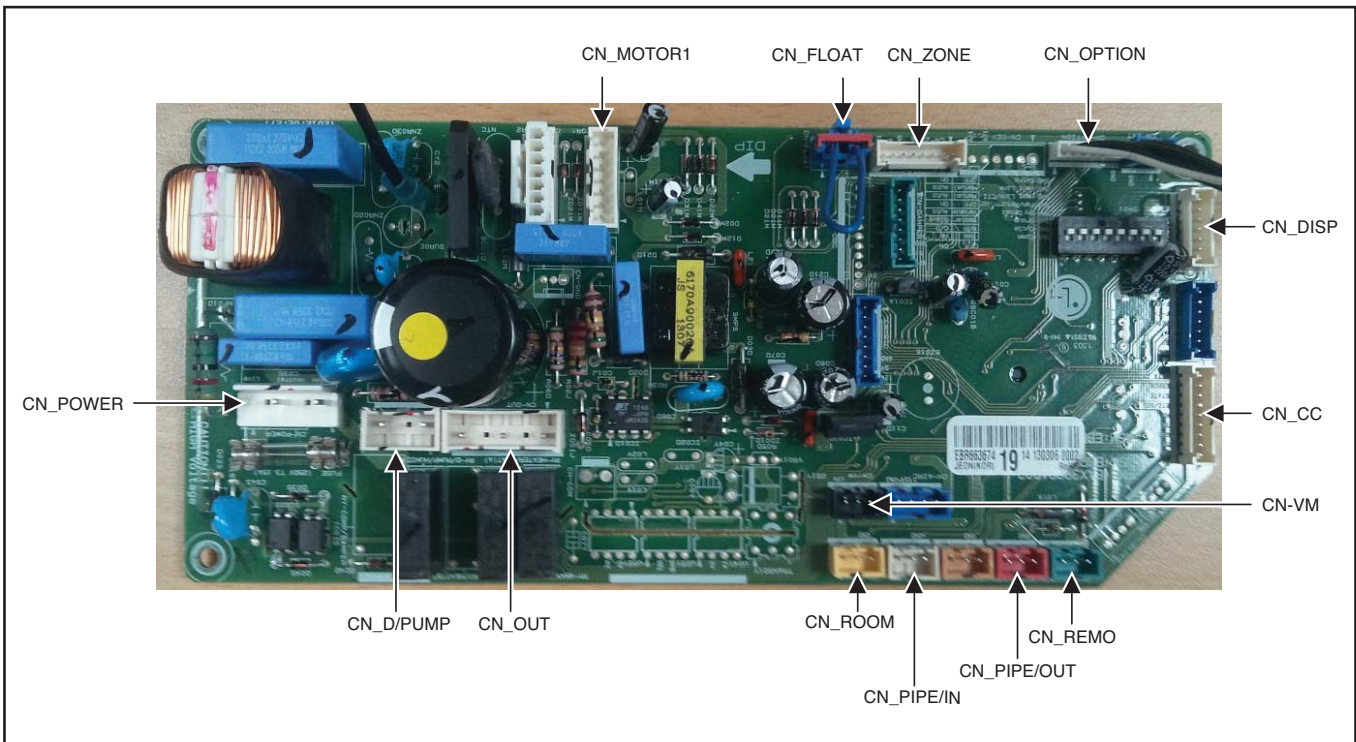
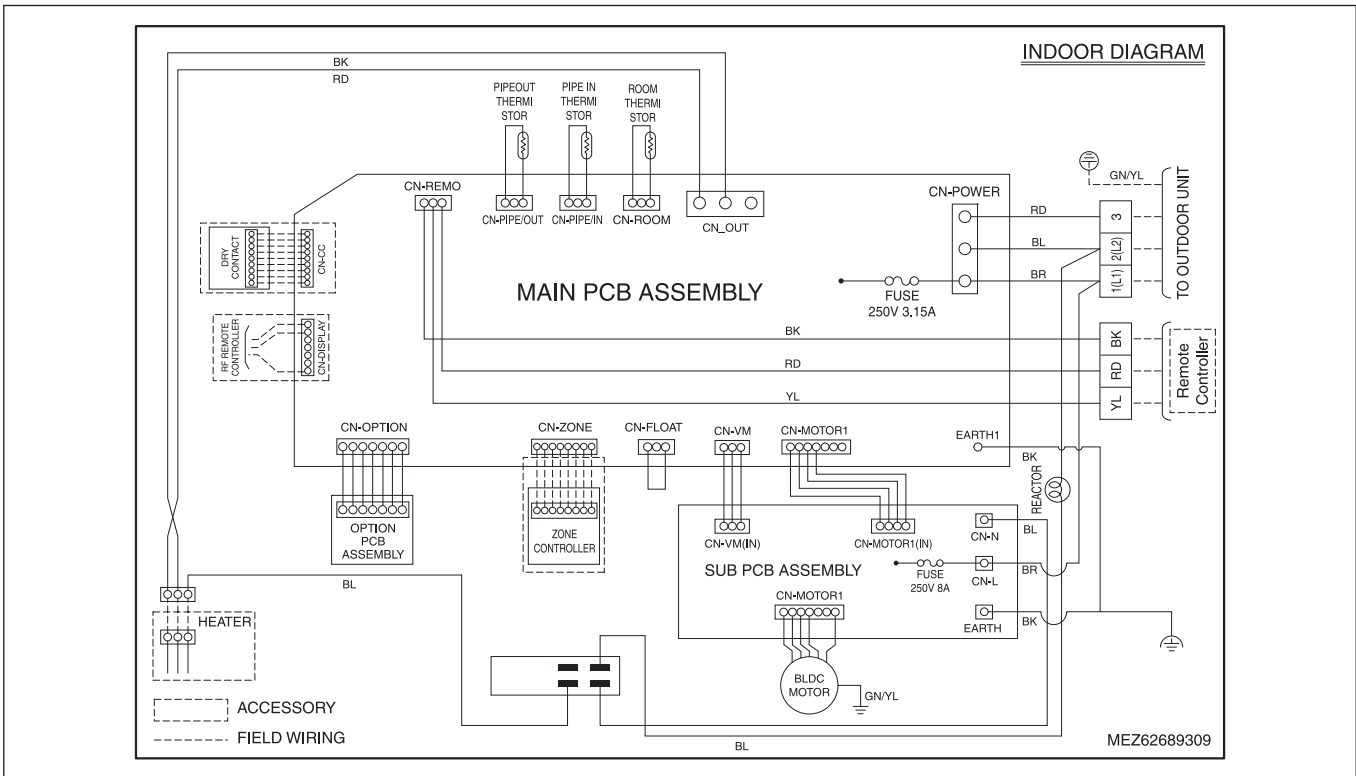
Refrigerant pipe connection port diameter

[Unit: mm(inch)]

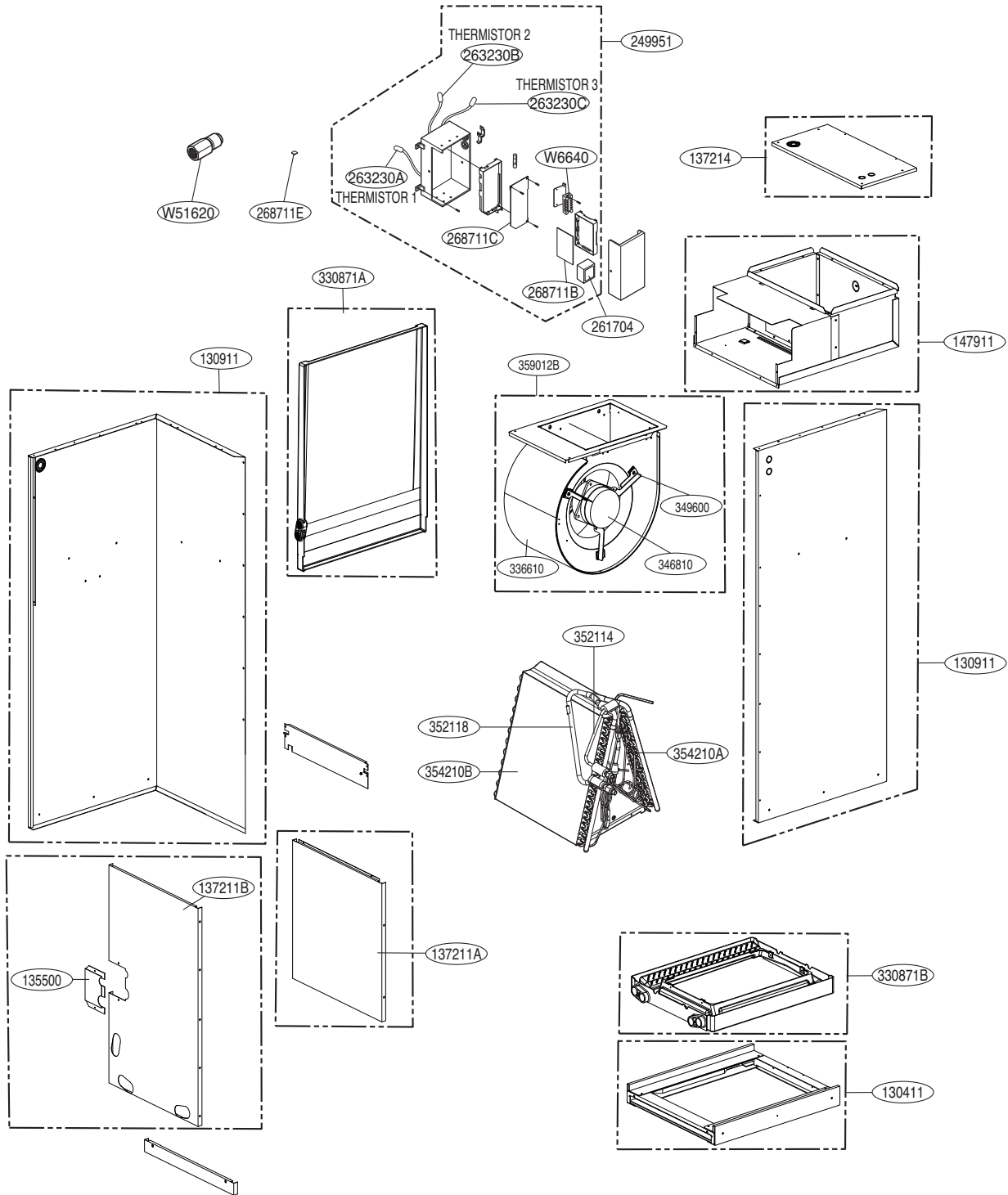
| Model                   | Gas         | Liquid     |
|-------------------------|-------------|------------|
| AMNW24GBGA0 [LMHN240HV] | Ø12.7(1/2)  | Ø6.35(1/4) |
| AMNW36GBGA0 [LMHN360HV] | Ø15.88(5/8) | Ø9.52(3/8) |

| LOC. | Description         |
|------|---------------------|
| Th1  | Room thermistor     |
| Th2  | Pipe in thermistor  |
| Th3  | Pipe out thermistor |

# 4. Wiring Diagrams



5. Exploded View



|              |         |                      |                       |
|--------------|---------|----------------------|-----------------------|
| Thermistor 1 | 263230A | Pipe Out thermistor  | Housing Color : Red   |
| Thermistor 2 | 263230B | Pipe In thermistor   | Housing Color : White |
| Thermistor 3 | 263230C | Inlet Air Thermistor | Housing Color : Brown |



P/NO : MFL67523121

December, 2013