



Internal Use Only

<http://biz.lgservice.com>

Room Air Conditioner

SVC MANUAL(Exploded View)

MODEL : AS-W093MMM9 (LSN090HYV / LSU090HYV)
AS-W123MMM9 (LSN120HYV / LSU120HYV)

CAUTION

Before Servicing the unit, read the safety precautions in General SVC manual.
Only for authorized service personnel.

Product Specifications

Models		Unit	AS-W093MMM9	AS-W123MMM9	
Cooling Capacity		kW	0.30~2.63~3.80	0.30~3.51~4.04	
		Btu/h.	1,023~9,000~12,966	1,023~12,000~13,785	
Heating Capacity		kW	0.30~3.22~6.50	0.30~3.98~6.50	
		Btu/h.	1,023~11,000~20,472	1,023~13,600~22,178	
Power Input	Cooling/Heating	W	550/740	850/960	
Running Current	Cooling/Heating	A	2.5/3.4	3.8 / 4.3	
Starting Current	Cooling/Heating	A	2.5/3.4	3.8 / 4.3	
EER		W/W	4.81	4.13	
		Btu/h.W	16.4	14.1	
SEER			28	26	
HSPF			12	11.5	
Power Supply		Ø / V / Hz	1/208-230/60	1/208-230/60	
Power Factor		%	98.7	97.7	
Air Flow Rate	Indoor,Max	m³/min(CFM)	15.5(547)	15.5(547)	
	Outdoor,Max	m³/min(CFM)	33(1,165)	33(1,165)	
Moisture Removal		l/h.	1.5	1.7	
Sound Level	Indoor,H/M/L/Sleep	dB(A)±3	39 / 34 / 26 / 17	39 / 34 / 26 / 17	
	Outdoor,Max	dB(A)±3	51	51	
Refrigerant & Charge (at 7.5 m)		g(oz)	R410A, 1,250(44.1)	R410A, 1,250(44.1)	
Additional Refrigerant charge		g/m(oz/ft)	20(0.22)	20(0.22)	
Compressor	Type		2P Rotary	2P Rotary	
	Model		GKT128MA	GKT128MA	
	Motor Type		Hermetic Motor Compressor	Hermetic Motor Compressor	
	Oil Type		FVC68D	FVC68D	
	Oil Charge	cc	450	450	
	O.L.P. name		-	-	
Fan(Indoor)	Type		Cross Flow Fan	Cross Flow Fan	
	Motor Output	W	20	20	
Fan(Outdoor)	Type		Propeller, Fan	Propeller, Fan	
	Motor Type		BLDC	BLDC	
	Motor Output	W	85	85	
Circuit Breaker*		A	15	15	
Power Supply Cable		No.*mm²	3*1.0	3*1.0	
Power and Transmission Cable No.*mm²		No.*mm²	4*1.0 (Including Earth)	4*1.0 (Including Earth)	
Piping Connections	Liquid Side	mm(in)	6.35(1/4)	6.35(1/4)	
	Gas Side	mm(in)	9.52(3/8)	9.52(3/8)	
Drain Hose(O.D / I.D.)		mm(in)	21.5 / 16.0(0.85 / 0.63)	21.5 / 16.0(0.85 / 0.63)	
Dimensions	Indoor (W*H*D)	mm	875*295*235	875*295*235	
		inch	34.4*11.6*9.25	34.4*11.6*9.25	
	Outdoor (W*H*D)	mm	870*655*320	870*655*320	
		inch	34.2*25.8*12.6	34.2*25.8*12.6	
Net Weight	Indoor	kg(lbs)	11.5(25.3)	11.5(25.3)	
	Outdoor	kg(lbs)	43(94.8)	43(94.8)	
Gross Weight	Indoor	kg(lbs)	13.0(28.6)	13.0(28.6)	
	Outdoor	kg(lbs)	45(99.2)	45(99.2)	
Operation Range	Cooling(Outdoor)	°C(°F)	-10~48(14~118.4)	-10~48(14~118.4)	
	Heating(Outdoor)	°C(°F)	-10~24(14.0~75.2)	-10~24(14.0~75.2)	
Piping Length (Min/Max)		m(ft)	3(9.84) / 15(49.2)	3(9.84) / 15(49.2)	
Chargeless		m(ft)	-	-	
Max. Elevation Difference		m(ft)	10(32.8)	10(32.8)	
Tool Code(Chassis)	Indoor + Outdoor		SM + UE	SM + UE	
Functions	Temperature Control		Thermistor	Thermistor	
	Allergy free filter		-	-	
	Plasma Filter		○	○	
	Prefilter(washable/anti-fungus)		○	○	
	Auto Clean		○	○	
	CHAOS Wind(Auto Wind)		○	○	
	Steps, Fan/Cool/Heat		5/6/6	5/6/6	
	Airflow Direction Control(up& Down)		Auto	Auto	
	Airflow Direction Control(left & right)		Auto	Auto	
	Remote Controller Type		Better	Better	
	Setting Temperature	Cooling	18°C ~ 30°C	18°C ~ 30°C	
	Range	Heating	16°C ~ 30°C	16°C ~ 30°C	
	Auto Operation (Micom Control)		-	-	
	Auto Changeover (Micom Control)		○	○	
	Self Diagnosis		○	○	
	Timer		24h, On/Off	24h, On/Off	
	Sleep Operation		○	○	
	Soft Dry Operation		○	○	
	Restart Delay(minute)		3	3	
	Deice Control(Defrost)		○	○	
	Hot Start		○	○	
	Jet Cool		○	○	
	Low Ambient Operation		○	○	
	Special Function			Water Level Sensor	Water Level Sensor

Note:

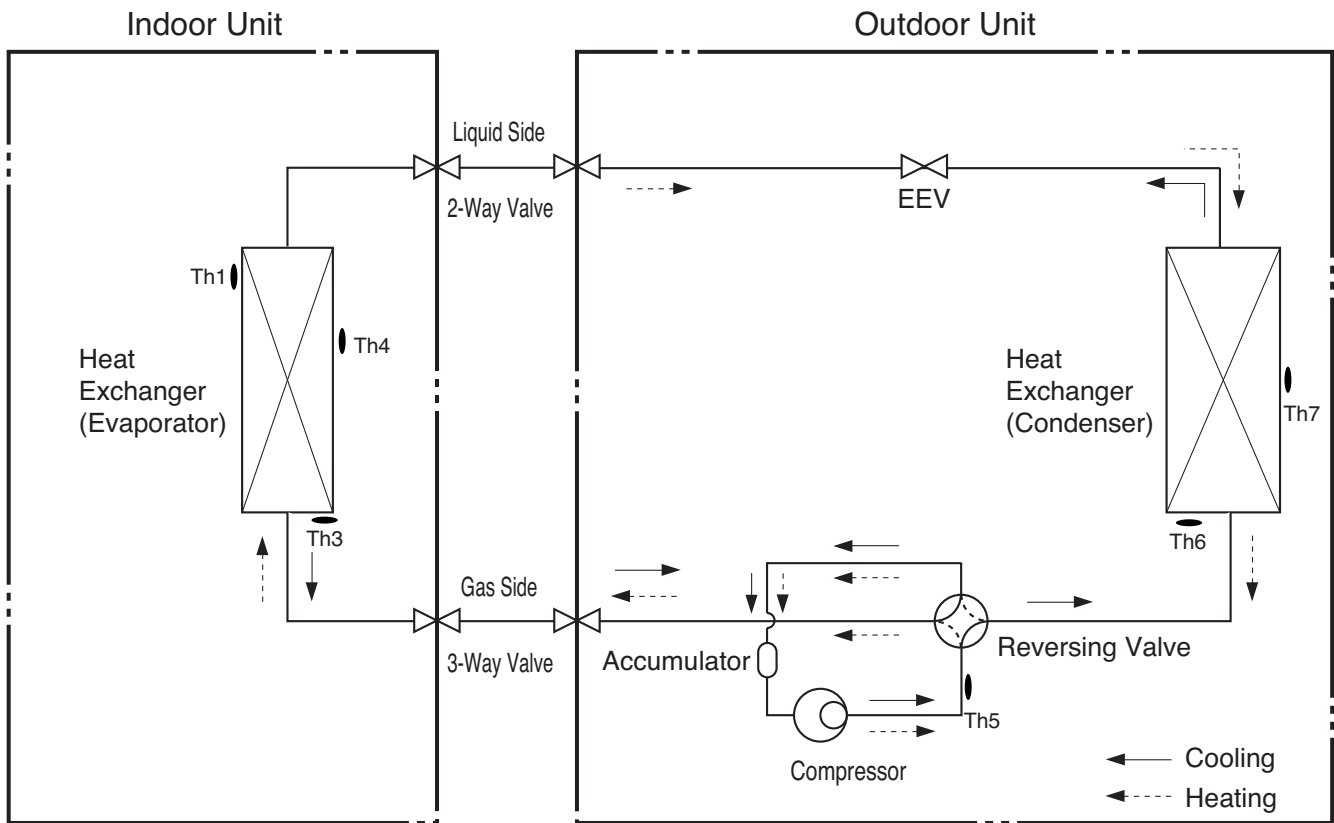
○ : Applied, - : No relation

* For circuit breaker rating, please conform to local standards wherever necessary.

* Some of functions are slightly different depending upon models.

* The specification may be subject to change without notice for purpose of improvement.

2. Piping Diagrams

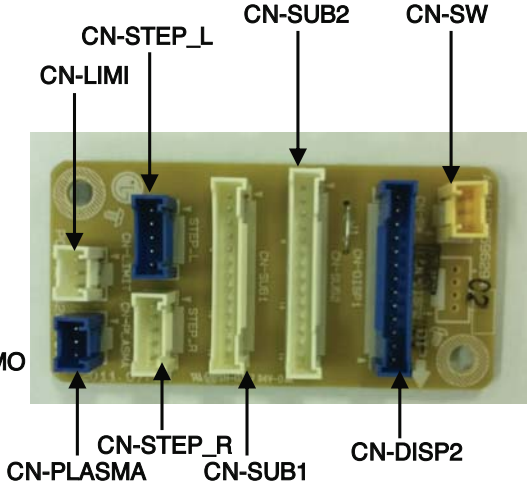
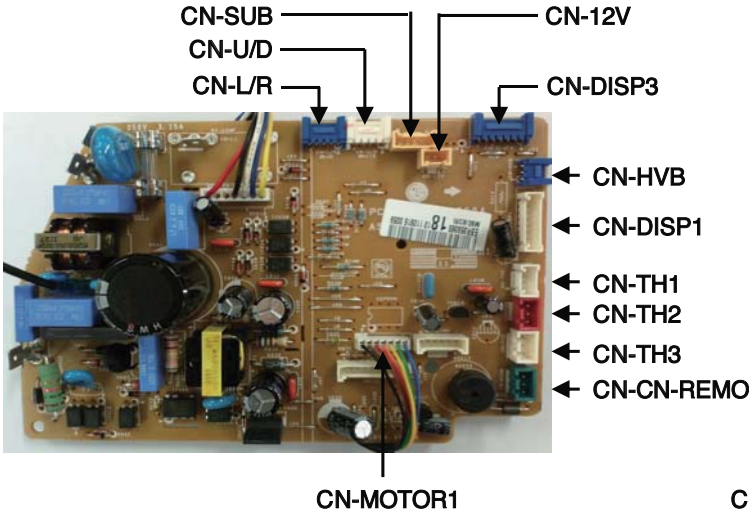
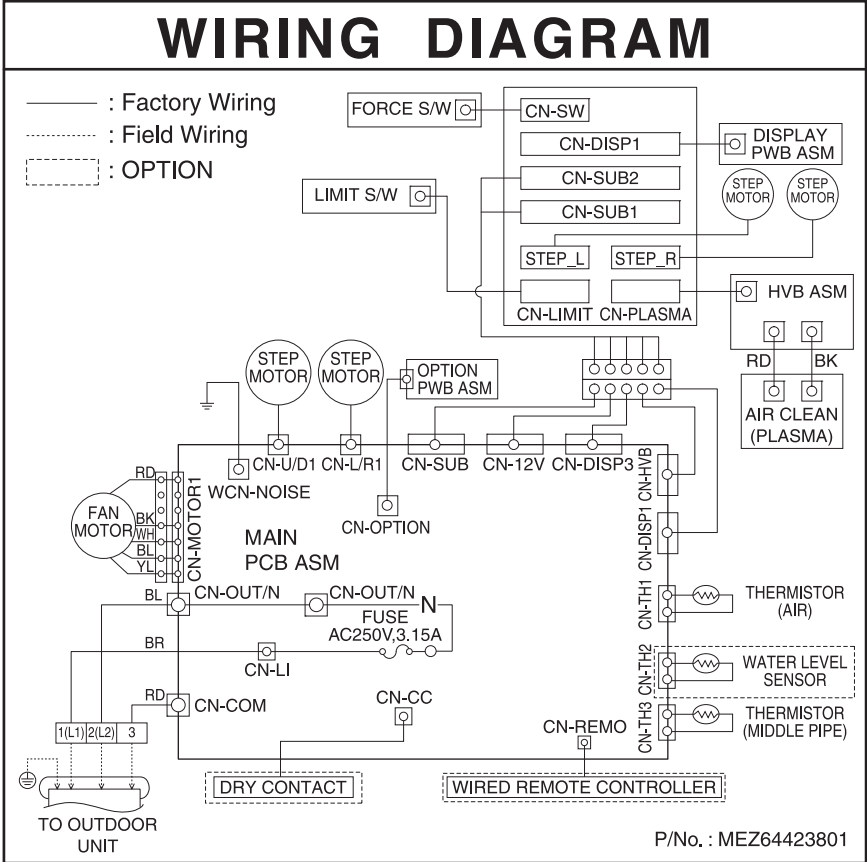


LOC.	Description	PCB Connector
Th1	Thermistor for suction air temperature	CN-TH1(Indoor)
Th3	Water level sensor (Option)	CN-TH2(Indoor)
Th4	Thermistor for evaporator middle temperature	CN-TH3(Indoor)
Th5	Thermistor for discharge pipe temperature	CN-TH2(OUTDOOR)
Th6	Thermistor for condensing temperature	CN-TH1(OUTDOOR)
Th7	Thermistor for outdoor air temperature	CN-TH1(OUTDOOR)

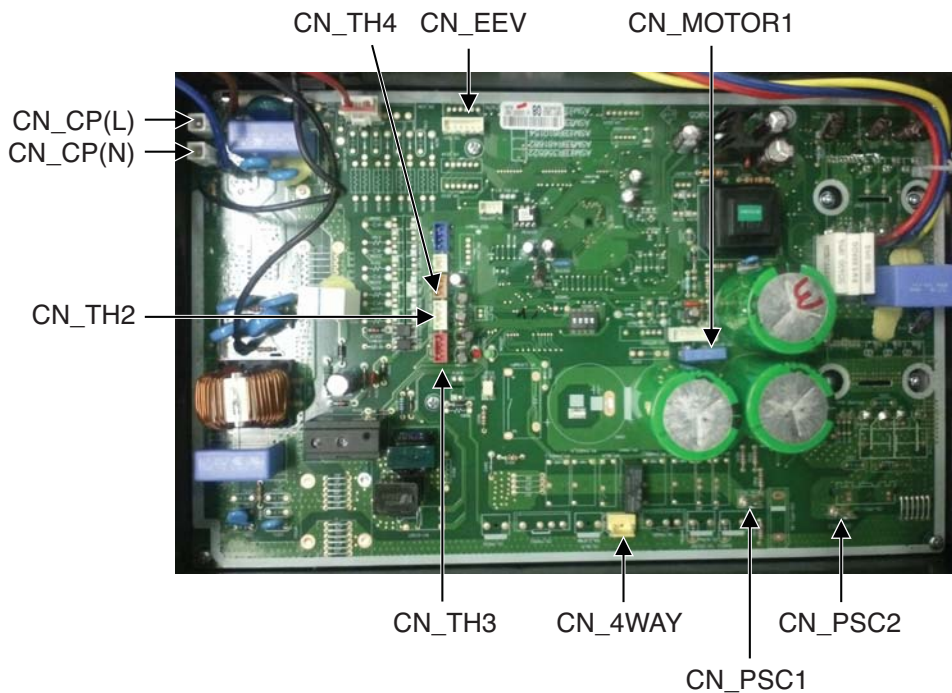
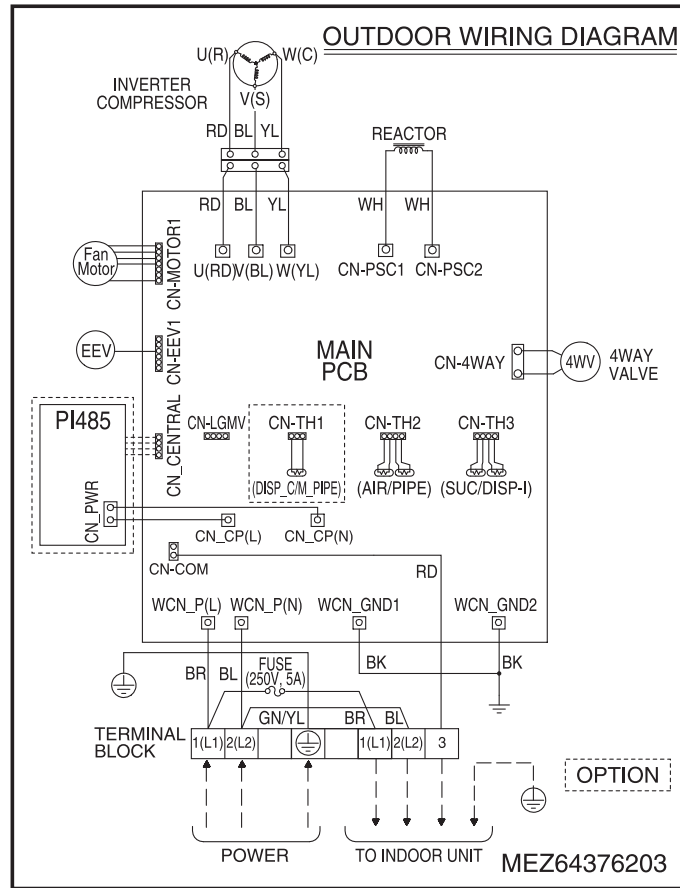
※ EEV : Electronic Expansion Valve

3. Wiring Diagrams

Indoor Unit

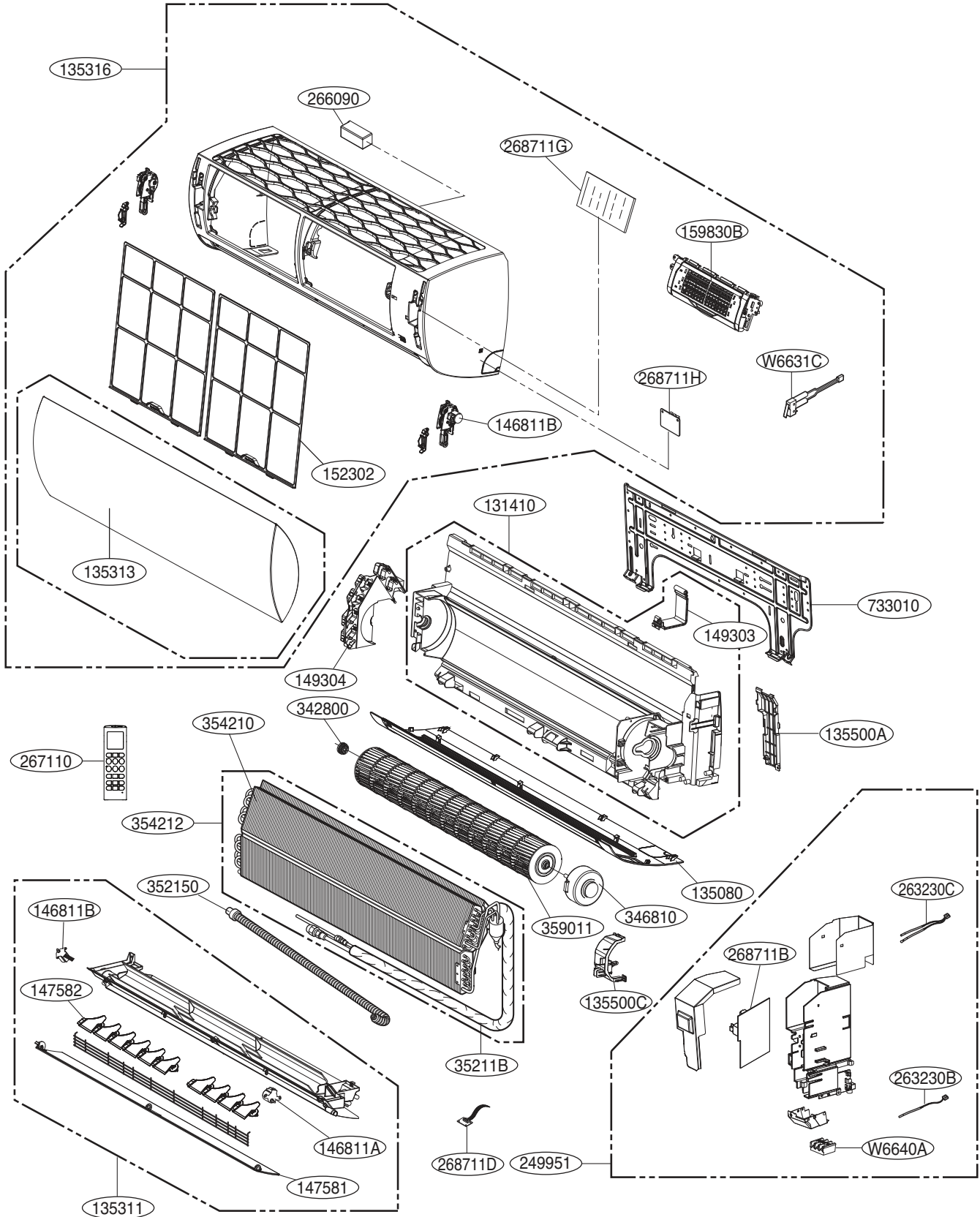


Outdoor Unit

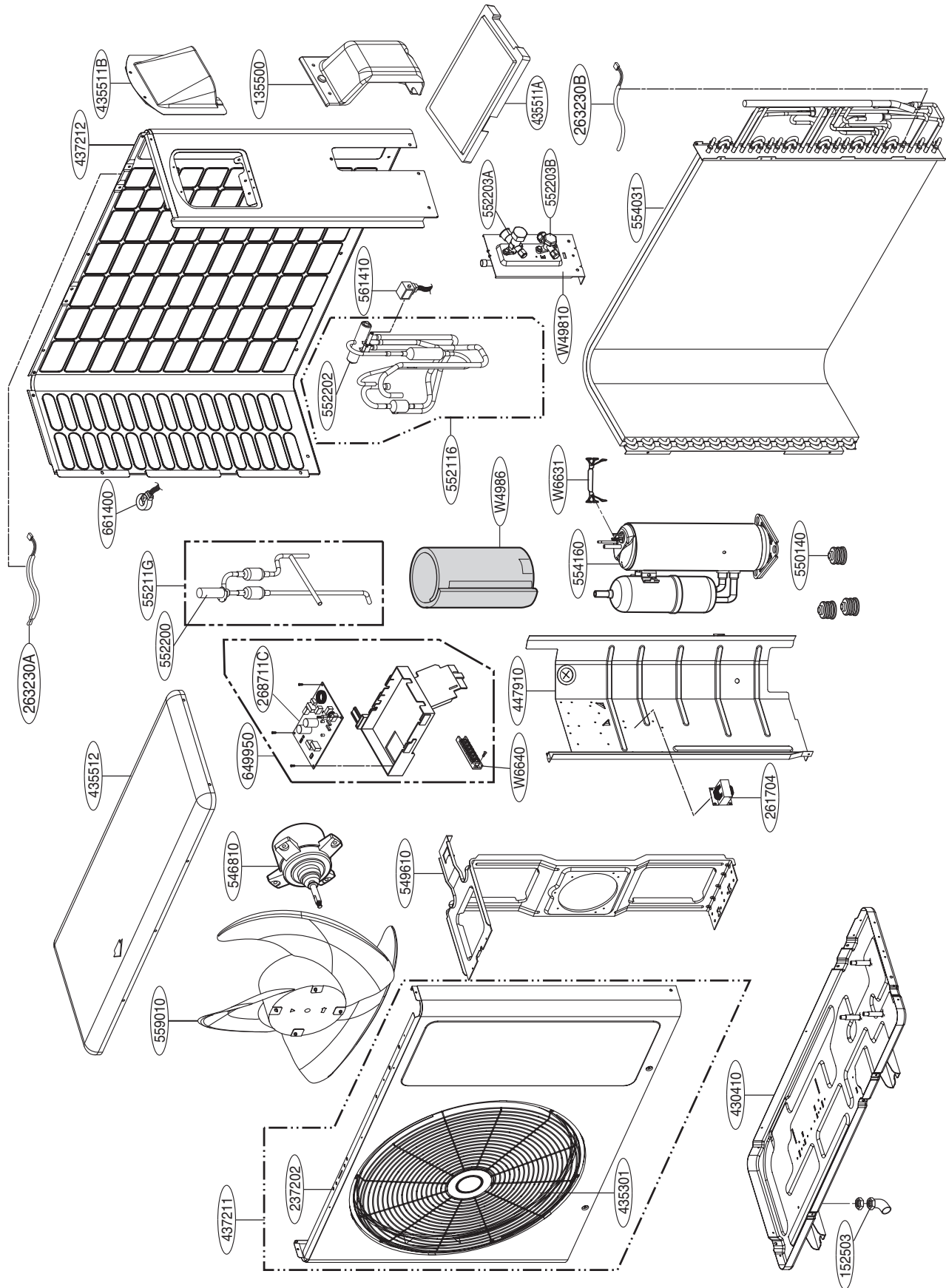


Exploded View

Indoor Unit



Outdoor Unit





P/NO : MFL67501901

MAY, 2013