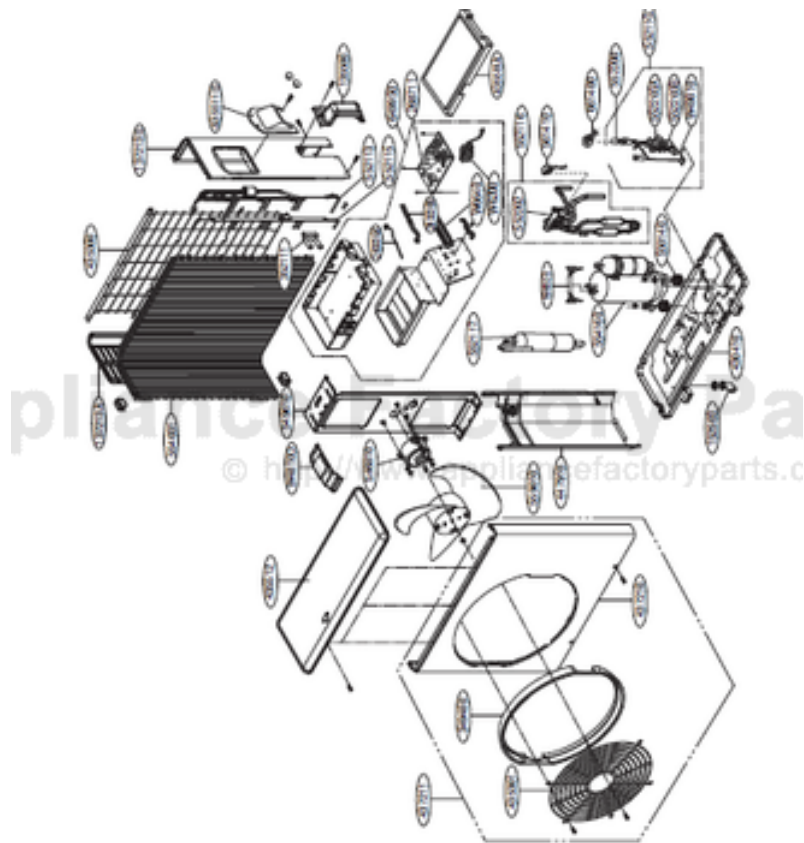


This Owner's Manual is provided and hosted by [Appliance Factory Parts](http://www.appliancefactoryparts.com).



LG AS-W183C2B8 Owner's Manual

[Shop genuine replacement parts for LG AS-W183C2B8](#)



[Find Your LG Air Conditioner Parts - Select From 2330 Models](#)

----- Manual continues below -----



Internal Use Only

<http://biz.lgservice.com>

Room Air Conditioner

SVC MANUAL(Exploded View)

MODEL : AS-W183C2B8(LSN181HSV3/LSU181HSV3)

CAUTION

Before Servicing the unit, read the safety precautions in General SVC manual.
Only for authorized service personnel.

Product Specifications

Models		Unit	AS-W183C2B8
Cooling Capacity		kW	0.90 ~ 5.33 ~ 8.65
		Btu/h.	3,070 ~ 18,200 ~ 29,515
Heating Capacity		kW	0.90 ~ 6.45 ~ 11.40
		Btu/h.	3,070 ~ 22,000 ~ 38,898
Power Input	Cooling/Heating	W	1447/1760
Running Current	Cooling/Heating	A	6.3/8.2
Starting Current	Cooling/Heating	A	6.3/8.2
EER		W/W	3.69
		Btu/h.W	12.6
SEER		-	20.5
HSPF		-	9.7
Power Supply		Ø / V / Hz	1/208-230/60
Power Factor		%	98.2
Air Flow Rate	Indoor,Max	m³/min(CFM)	20.8(735)
	Outdoor,Max	m³/min(CFM)	60.0(2119)
Moisture Removal		l/h.	2.6(5.5)
Sound Level	Indoor,H/M/L/Sleep	dB(A)±3	45/40/35/29
	Outdoor,Max	dB(A)±3	53
Refrigerant & Charge (at 7.5 m)		g(oz)	R410A, 1,800(63.5)
Additional Refrigerant charge		g/m(oz/ft)	35(0.38)
Compressor	Type		Twin Rotary
	Model		GJT240MBA
	Motor Type		Brushless DC Motor
	Oil Type		FVC68D
	Oil Charge	cc	900
Fan(Indoor)	O.L.P. name		-
	Type		Cross Flow Fan
Fan(Outdoor)	Motor Output	W	76.1
	Type		Propeller, Fan
	Motor Type		BLDC
Circuit Breaker*	Motor Output	W	124
		A	25
Power Supply Cable		No.*mm²	3*2.5
Power and Transmission Cable No.*mm2		No.*mm²	4*1.0 (Including Earth)
Piping Connections	Liquid Side	mm(in)	9.52(3/8)
	Gas Side	mm(in)	15.88(5/8)
Drain Hose(O.D / I.D.)		mm(in)	21.5 / 16.0(0.85 / 0.63)
Dimensions	Indoor (W*H*D)	mm	1030*325*245
		inch	40.6*12.8*9.64
	Outdoor (W*H*D)	mm	870*800*320
		inch	34.25*31.49*12.73
Net Weight	Indoor	kg(lbs)	14.5(31.96)
	Outdoor	kg(lbs)	55.5(122.35)
Gross Weight	Indoor	kg(lbs)	18.2(40.1)
	Outdoor	kg(lbs)	59(130.07)
Operation Range	Cooling(Outdoor)	°C(°F)	-18~48(-0.4~118.4)
	Heating(Outdoor)	°C(°F)	-20 ~ 24 (-4 ~ 75.2)
Piping Length (Min/Max)		m(ft)	3(9.84) / 30(98.4)
Chargeless		m(ft)	7.5(24.6)
Max. Elevation Difference		m(ft)	15(49.2)
Tool Code(Chassis)	Indoor + Outdoor		SC + UE1+
Functions	Temperature Control		Thermistor
	Allergy free filter		-
	Plasma Filter + 2nd generation NPI		-
	Prefilter(washable/anti-fungus)		O
	3M HAF Filter		-
	Auto Clean		O
	CHAOS Wind(Auto Wind)		O
	Steps, Fan/Cool/Heat		5/6/5
	Airflow Direction Control(up& Down)		Auto
	Airflow Direction Control(left & right)		Auto
	Remote Controller Type		Better
	Setting Temperature	Cooling	18°C ~ 30°C
	Range	Heating	16°C ~ 30°C
	Auto Operation (Micom Control)		-
	Auto Changeover (Micom Control)		O
	Self Diagnosis		O
	Timer		24h, On/Off
	Sleep Operation		O
	Soft Dry Operation		O
	Restart Delay(minute)		3
	Deice Control(Defrost)		-
	Hot Start		O
	Jet Cool		O
	Low Ambient Operation		O
	Special Function		Water Level Sensor, Cooling Only Switch, Wind Baffle Kit, WLAN

Note:

O : Applied, - : No relation

* For circuit breaker rating, please conform to local standards wherever necessary.

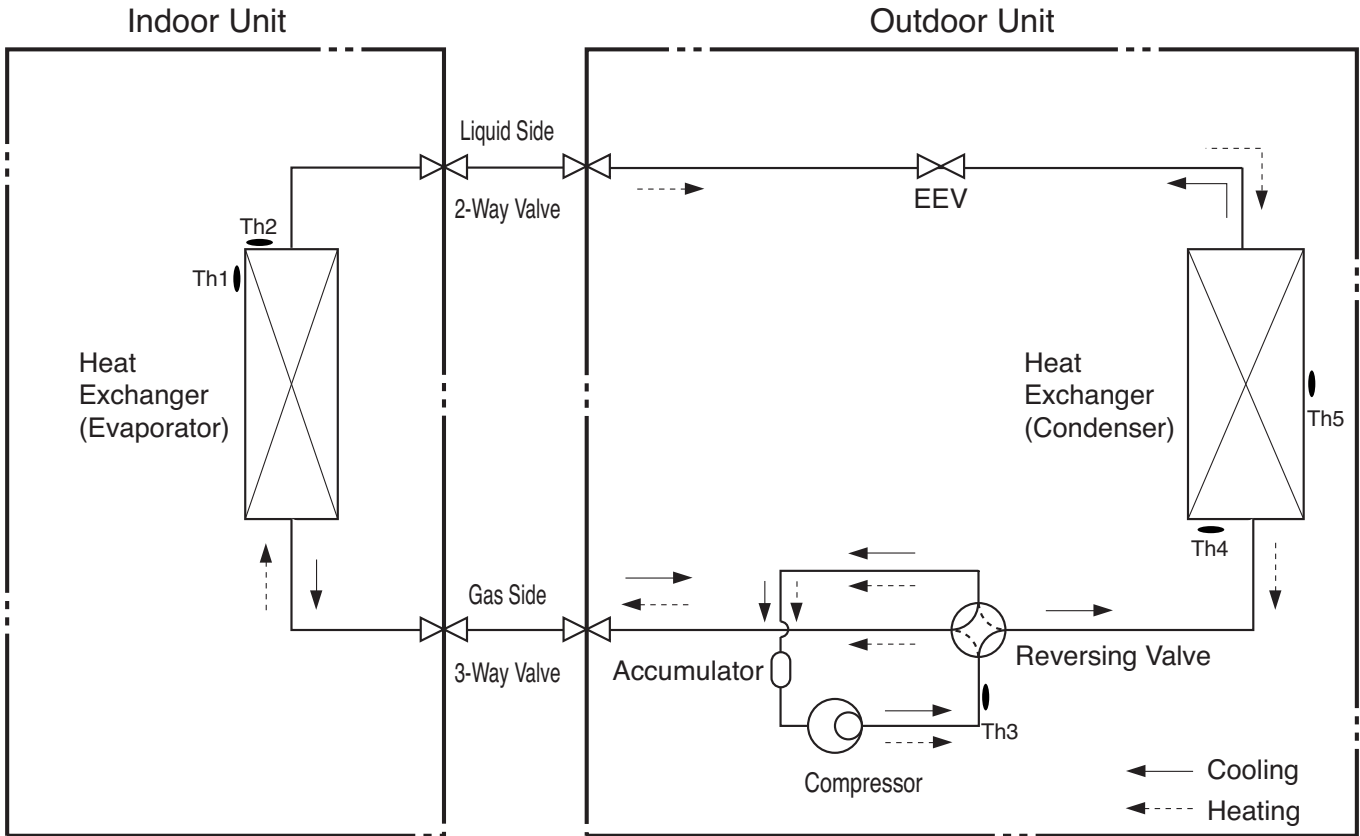
* If you use WLAN, WLAN module must be purchased separately.

* Some of functions are slightly different depending upon models.

* The specification may be subject to change without notice for purpose of improvement.

Piping Diagrams

Model : AS-W183C2B8

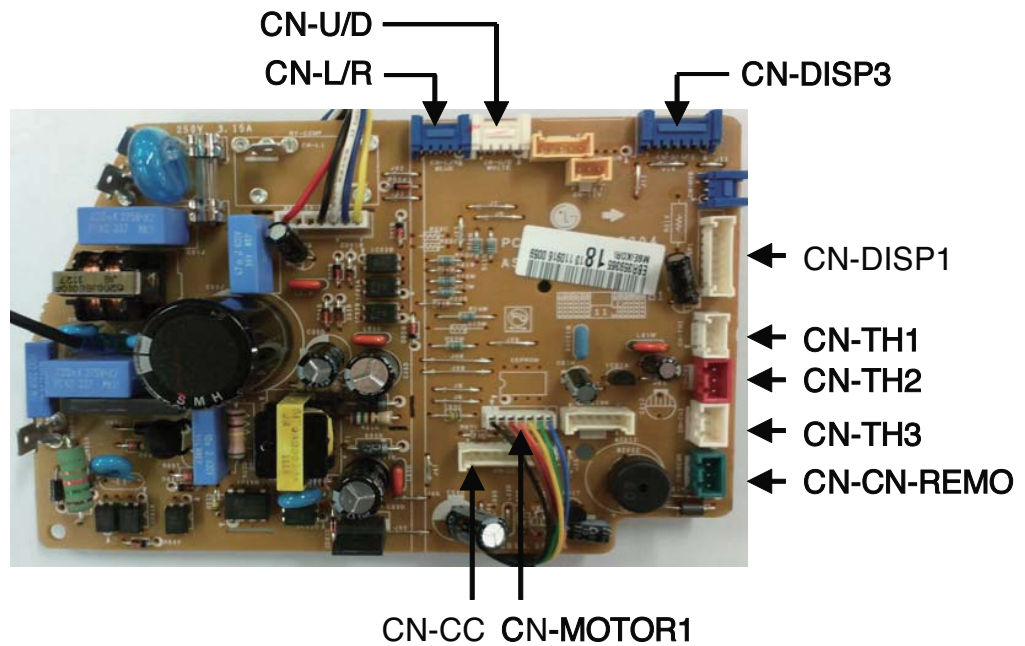
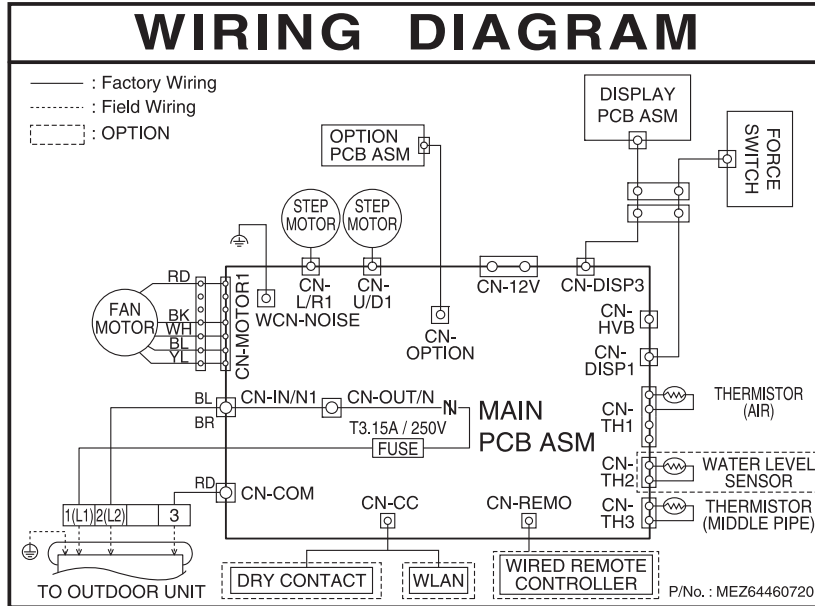


LOC.	Description	PCB Connector
Th1	Thermistor for suction air temperature	CN-TH1(Indoor)
Th2	Thermistor for evaporator middle temperature	CN-TH3(Indoor)
Th3	Thermistor for discharge pipe temperature	CN-TH2(OUTDOOR)
Th4	Thermistor for condensing temperature	CN-TH1(OUTDOOR)
Th5	Thermistor for outdoor air temperature	

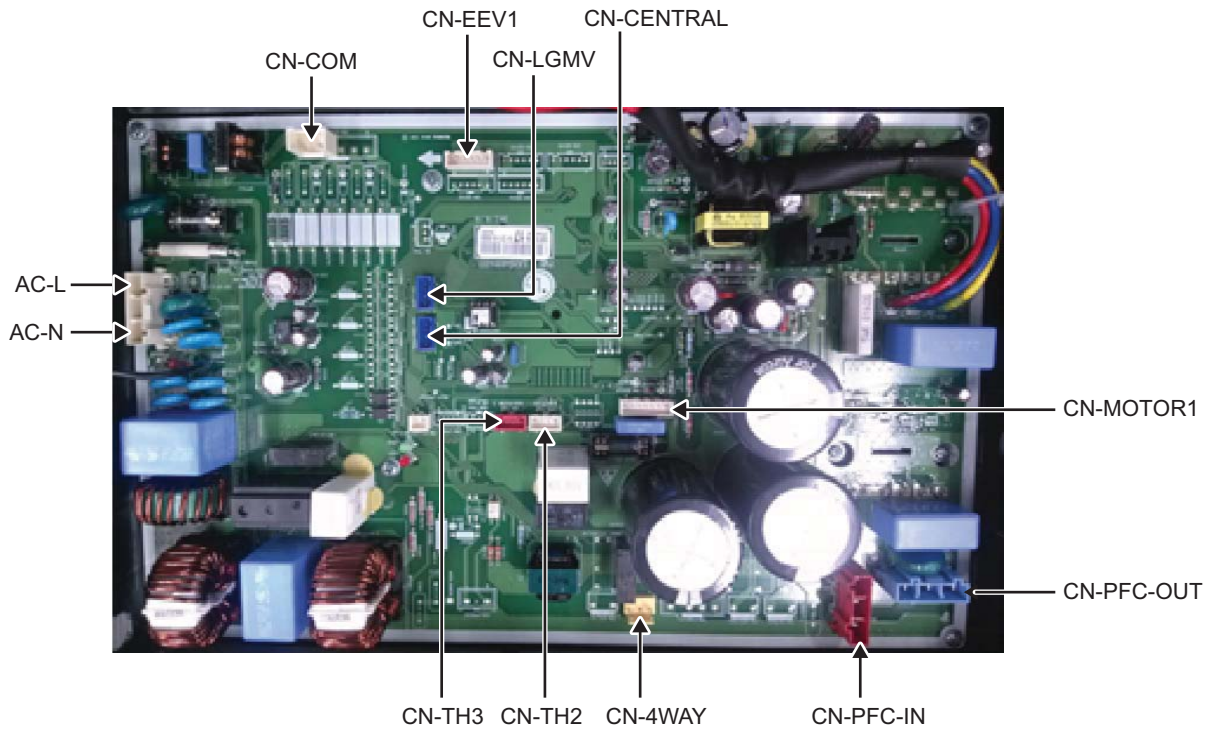
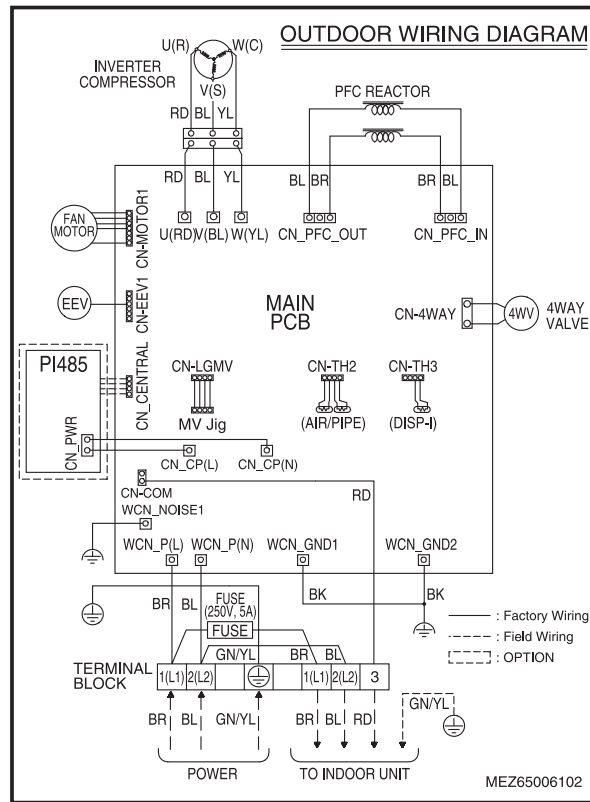
※ EEV : Electronic Expansion Valve

Wiring Diagrams

Indoor Unit

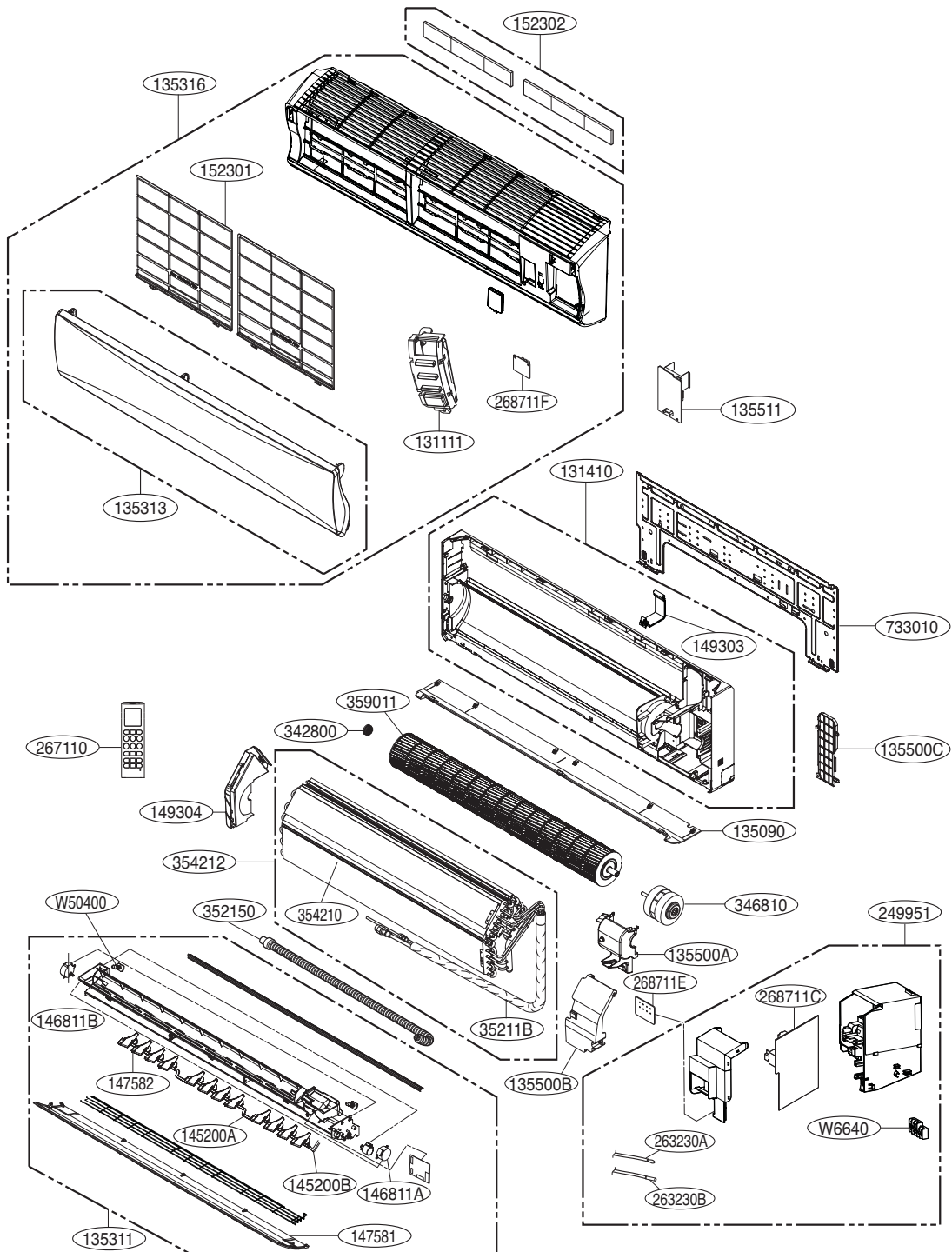


Outdoor Unit



Exploded View

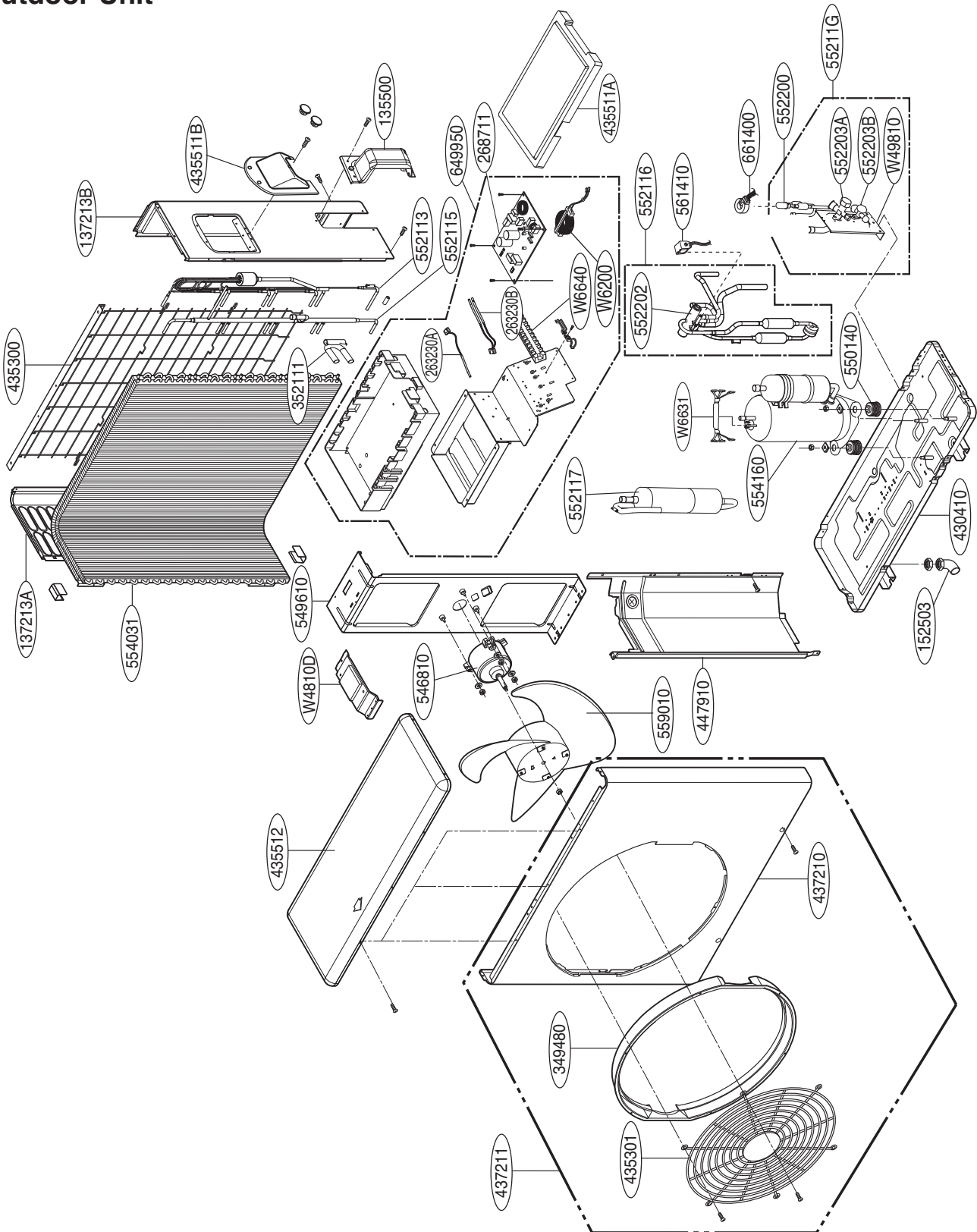
Indoor Unit



LOC	Description
263230A	Thermistor for suction air temperature
263230B	Thermistor for evaporator middle temperature

Note) * Please ensure GCSC since the replacement parts may be changed depending upon the buyer's request.
 Please check the correct parts in View RPL(Replacement Part List) on GCSC.
 (GCSC Website <http://www.lge.com>)

Outdoor Unit



LOC	Description
263230A	Thermistor for suction air temperature
	Thermistor for condense middle temperature
263230B	Thermistor for discharge pipe temperature



US	1. Please call the installing contractor of your product, as warranty service will be provided by them. 2. If you have service issues that have not been addressed by the contractor, please call 1-888-865-3026.
CANADA	Service call Number # : (888) LG Canada, (888) 542-2623

P/NO : MFL67501907

June, 2013