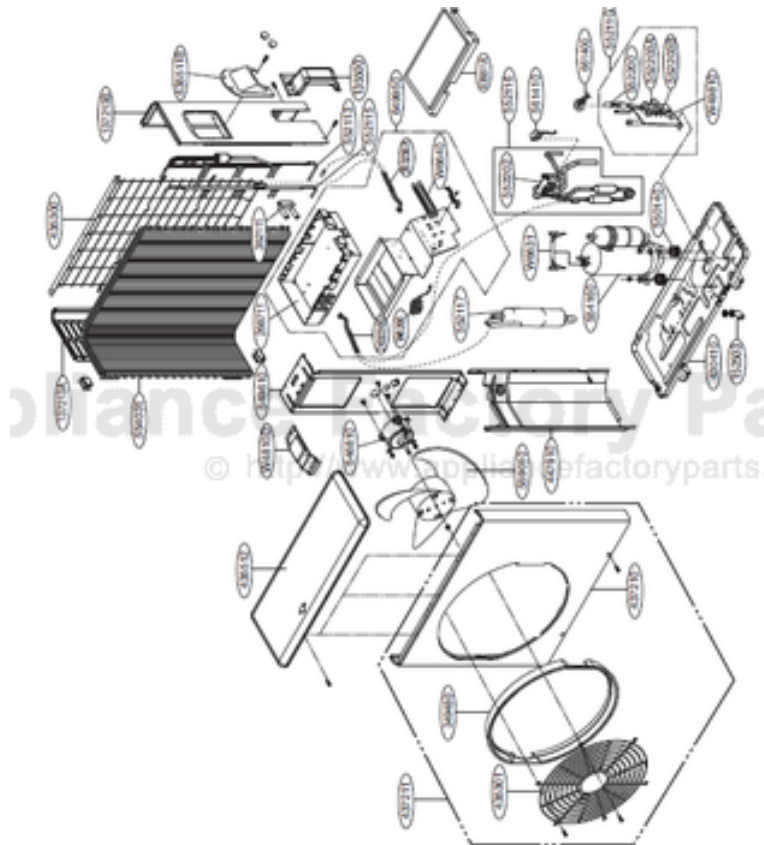


This Owner's Manual is provided and hosted by [Appliance Factory Parts](http://www.appliancefactoryparts.com).



LG AS-W303D8B8 Owner's Manual

[Shop genuine replacement parts for LG AS-W303D8B8](#)



[Find Your LG Air Conditioner Parts - Select From 2330 Models](#)

----- Manual continues below -----



Internal Use Only

<http://biz.lgservice.com>

Room Air Conditioner SVC MANUAL(Exploded View)

MODEL : AS-W243D8B8(LSN240HSV3/ LSU240HSV3)
AS-W303D8B8(LSN307HV3/ LSU307HV3)
AS-W363D8B8(LSN360HV3/ LSU360HV3)

CAUTION

Before Servicing the unit, read the safety precautions in General SVC manual.
Only for authorized service personnel.

1. Product Specifications

Models	Unit	AS-W243DB88	AS-W303DB88	AS-W363DB88
Cooling Capacity	KW	0.90 ~ 6.45 ~ 8.80	0.90 ~ 8.79 ~ 9.96	0.90 ~ 9.67 ~ 9.96
Heating Capacity	Btu/h	3,070 ~ 22,000 ~ 30,030	3,070 ~ 30,000 ~ 34,000	3,070 ~ 33,000 ~ 34,000
	KW	0.90 ~ 8.09 ~ 11.40	0.90 ~ 9.38 ~ 11.40	0.90 ~ 10.32 ~ 11.40
	Btu/h	3,070 ~ 27,600 ~ 38,898	3,070 ~ 32,000 ~ 38,900	3,070 ~ 35,200 ~ 38,900
Power Input	W	1760/2380	3000/3100	4035/3840
Running Current	A	7.9/10.7	13.4/13.9	17.0/16.2
Starting Current	A	7.9/10.7	13.4/13.9	17.0/16.2
EER	W/W	3.66	2.93	2.4
	Btu/h.W	12.5	10	8.2
SEER	20	10.2	18	16.1
	18	9.5	9.5	9.9
Power Supply	ØV/Hz	1/208-230/60	1/208-230/60	1/208-230/60
Power Factor	%	96.9	97.3	98.2
Air Flow Rate	Indoor,Max	25(883)	25(883)	25(883)
	Outdoor,Max	60.0(2119)	60.0(2119)	60.0(2119)
Moisture Removal	l/h	2.8(6.0)	4.8(10.6)	4.8(10.6)
Sound Level	Indoor, H1M/L	49/44/39	49/44/39	49/44/39
	Outdoor,Max	54	55	55
Refrigerant & Charge (at 7.5 m)	g(oz)	R410A, 2,000(70.5)	R410A, 2,000(70.5)	R410A, 2,000(70.5)
Additional Refrigerant charge	g(m/ozft)	35(0.38)	35(0.38)	35(0.38)
Compressor	Type	Twin Rotary	Twin Rotary	Twin Rotary
	Model	GJT240MBA	GJT240MBA	GJT240MBA
	Motor Type	Brushless DC Motor	Brushless DC Motor	Brushless DC Motor
	Oil Type	PVE(FVC68D)	PVE(FVC68D)	PVE(FVC68D)
Oil Charge	cc	900	900	900
O.L.P.name	-	-	-	-
Fan(Indoor)	Type	Cross Flow Fan	Cross Flow Fan	Cross Flow Fan
Motor Output	W	76.1	76.1	76.1
Fan(Outdoor)	Type	Propeller, Fan	Propeller, Fan	Propeller, Fan
	Motor Type	BLDC	BLDC	BLDC
	Motor Output	124	124	124
Circuit Breaker*	A	25	25	25
Power Supply Cable	No. *mm ²	3*2.5	3*2.5	3*2.5
Power and Transmission Cable No. *mm ²	No. *mm ²	4*1.0 (Including Earth)	4*1.0 (Including Earth)	4*1.0 (Including Earth)
Piping Connections	Liquid Side	9.52(3/8)	9.52(3/8)	9.52(3/8)
	Cas Side	15.88(5/8)	15.88(5/8)	15.88(5/8)
Drain Hose(O.D / I.D)	mm(in)	21.5 / 16.0(0.85 / 0.63)	21.5 / 16.0(0.85 / 0.63)	21.5 / 16.0(0.85 / 0.63)
Dimensions	Indoor (W*H*D)	1209*346*205	1209*346*205	1209*346*205
	inch	47.6*13.6*8.1	47.6*13.6*8.1	47.6*13.6*8.1
	mm	870*800*320	870*800*320	870*800*320
Net Weight	Outdoor(W*H*D)	34.3*31.5*12.6	34.3*31.5*12.6	34.3*31.5*12.6
	kg(lbs)	16.1(35.5)	16.1(35.5)	16.1(35.5)
Gross Weight	Indoor	58(127.8)	58(127.8)	58(127.8)
	kg(lbs)	18.9(41.7)	18.9(41.7)	18.9(41.7)
Operation Range	Outdoor	62(136.7)	62(136.7)	62(136.7)
	Cooling(Outdoor)	-18~48(-0.4~-118.4)	-18~48(-0.4~-118.4)	-18~48(-0.4~-118.4)
	Heating(Outdoor)	-20 ~ 24 (-4 ~ 75.2)	-20 ~ 24 (-4 ~ 75.2)	-20 ~ 24 (-4 ~ 75.2)
Piping Length (Min/Max)	m(ft)	3(9.84) / 30(98.4)	3(9.84) / 30(98.4)	3(9.84) / 30(98.4)
Chargeless	m(ft)	7.5(24.6)	7.5(24.6)	7.5(24.6)
Max. Elevation Difference	m(ft)	15(49.2)	15(49.2)	15(49.2)
Tool Code(Chassis)	Indoor + Outdoor	SD + UE1+	SD + UE1+	SD + UE1+
Functions	Temperature Control	Thermistor	Thermistor	Thermistor
	Allergy free filler	-	-	-
	Plasma Filter + 2M[CI] NPI	-	-	-
	Prefilter(washable/anti-fungus)	O	O	O
	3M HAF Filter	O	O	O
	Auto Clean	O	O	O
	CHAOS Wind(Auto Wind)	O	O	O
	Steps, Fan/Cool/Heat	3/4/3	3/4/3	3/4/3
	Airflow Direction Control(up & down)	Auto	Auto	Auto
	Airflow Direction Control(left & right)	Auto	Auto	Auto
Remote Controller Type	Better	Better	Better	
Setting Temperature	Cooling	18°C ~ 30°C	18°C ~ 30°C	
Range	Heating	16°C ~ 30°C	16°C ~ 30°C	
Auto Operation(Micom Control)	Auto Changeover(Micom Control)	O	O	
Self Diagnosis	Auto Changeover(Micom Control)	O	O	
Timer	24h, On/Off	24h, On/Off	24h, On/Off	
Sleep Operation	O	O	O	
Soft Dry Operation	O	O	O	
Restart Delay(minute)	3	3	3	
Deice Control(Delorst)	O	O	O	
Hot Start	O	O	O	
Jet Cool/Heat	O	O	O	
Low Ambient Operation	O	O	O	
Special Function	Water Level Sensor, Cooling Only Switch, Wind Baffle Kit, WLAN			

Note :

O : Applied, - : No relation

* For circuit rating, please confirm to local standards wherever necessary

* With wind baffle accessory installed. With put wind baffle installed, the

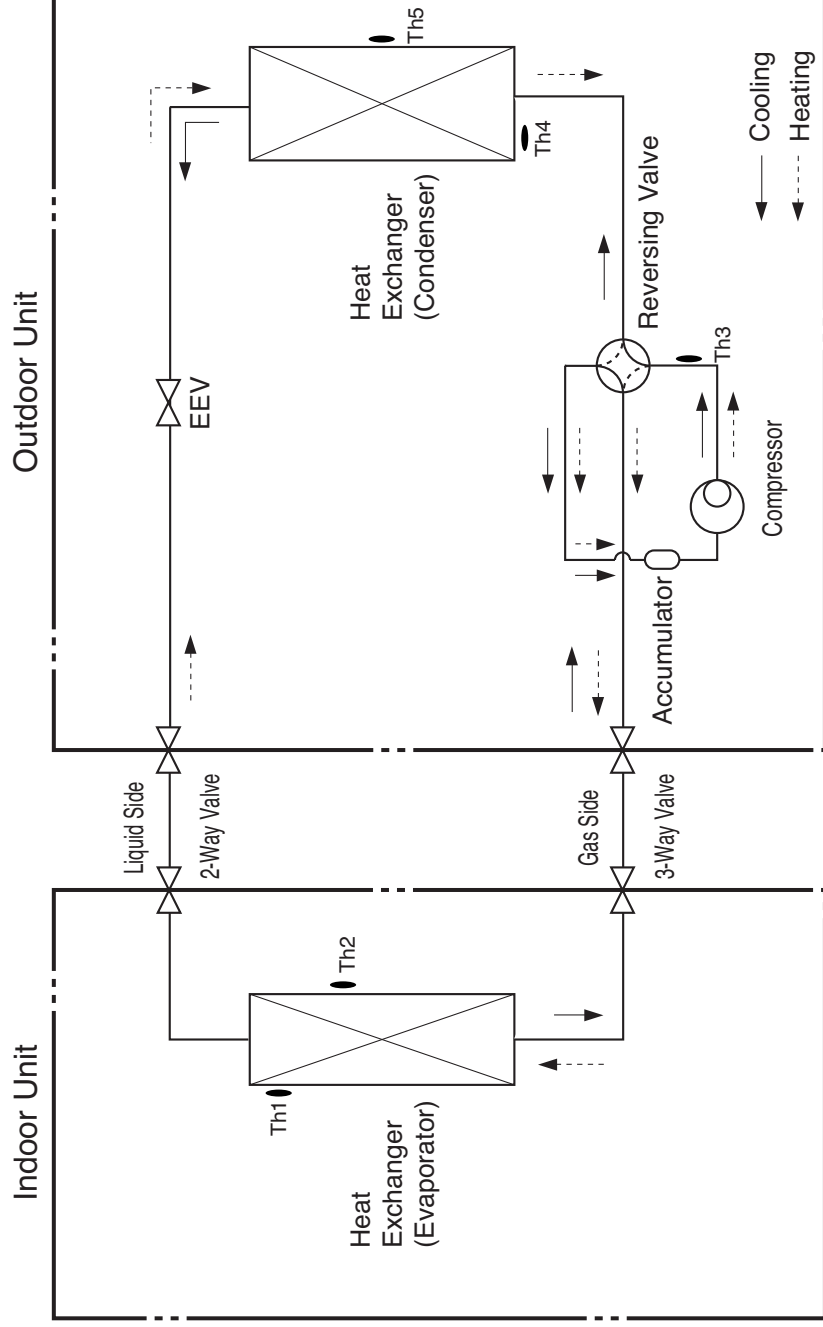
minimum temperature will be below 14°F D.B.

* If you use WLAN, WLAN module must be purchased separately.

* Some of functions are slightly different depending upon models

* The specification may be subject to change without notice for purpose of improvement

2. Piping Diagrams

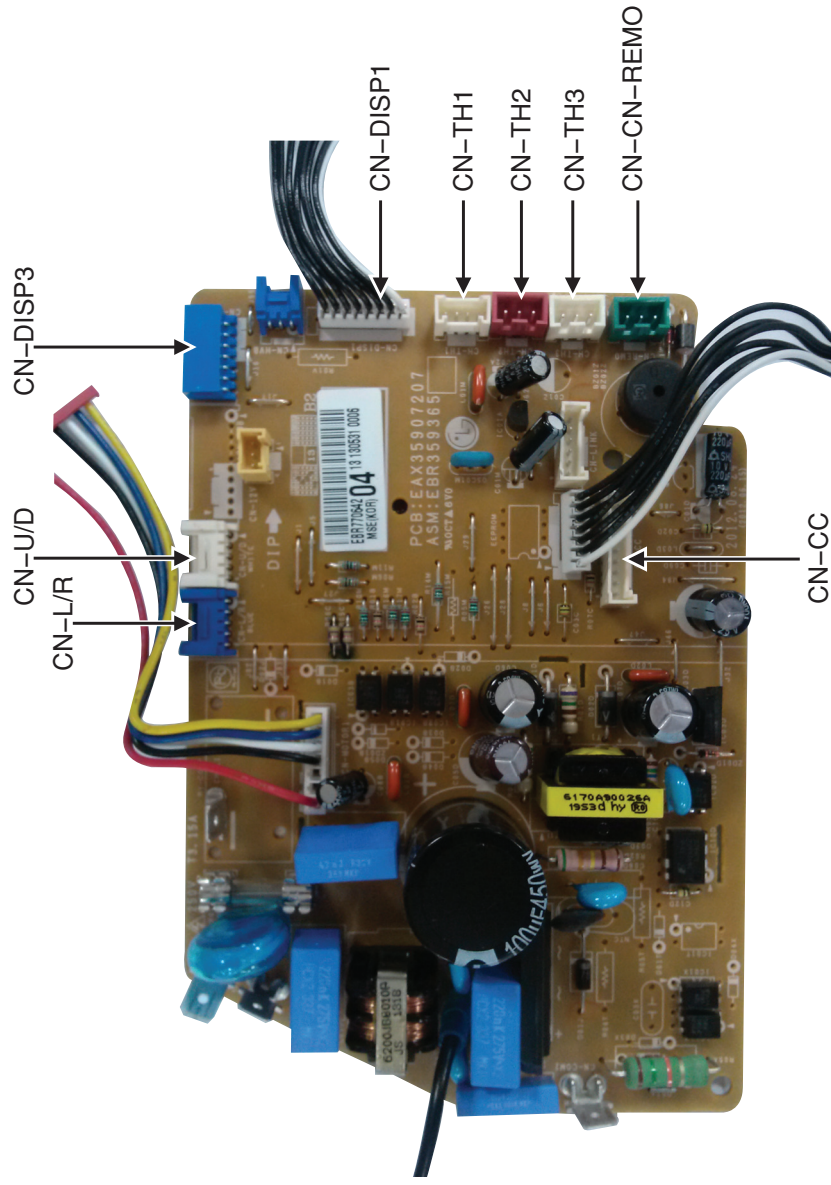
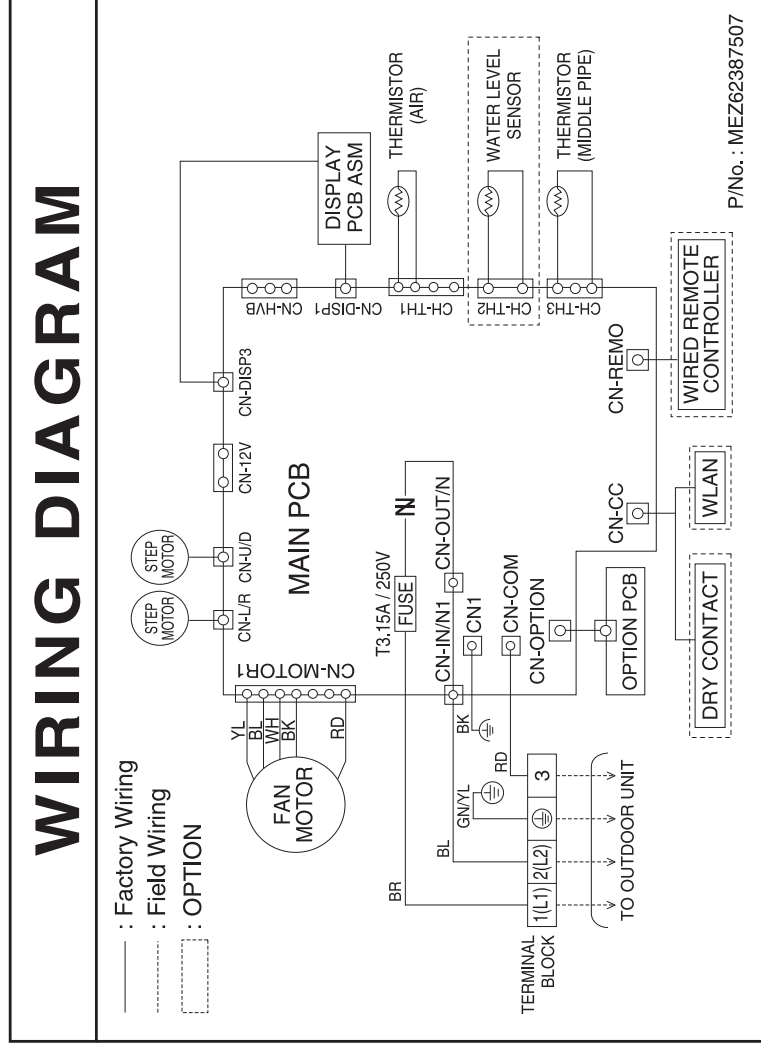


LOC.	Description	PCB Connector
Th1	Thermistor for suction air temperature	CN-TH1 (Indoor)
Th2	Thermistor for evaporator middle temperature	CN-TH3 (Indoor)
Th3	Thermistor for discharge pipe temperature	CN-TH3 (OUTDOOR)
Th4	Thermistor for outdoor air temperature	CN-TH2 (OUTDOOR)
Th5	Thermistor for condensing middle temperature	CN-TH2 (OUTDOOR)

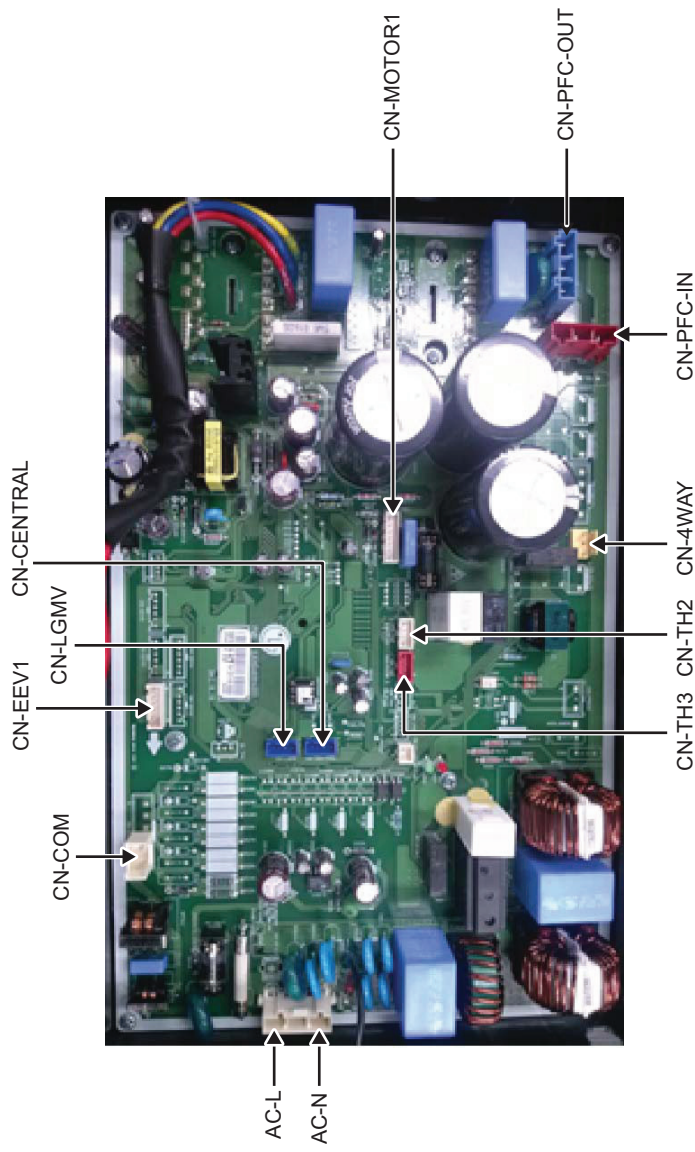
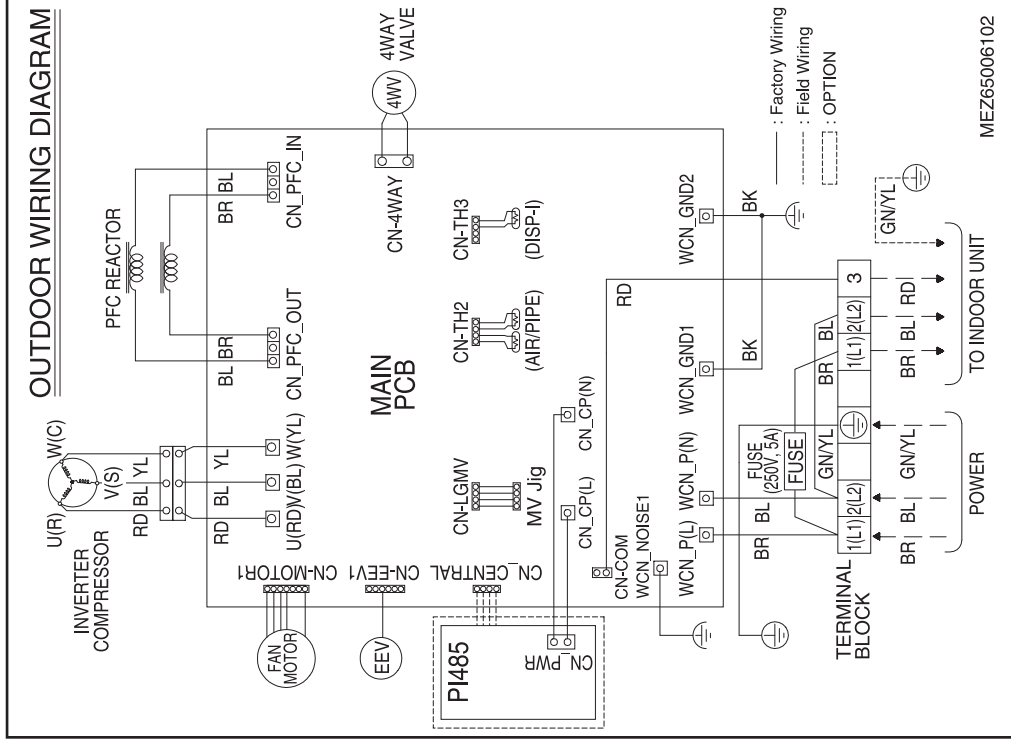
※ EEV : Electronic Expansion Valve

3. Wiring Diagrams

Indoor Unit

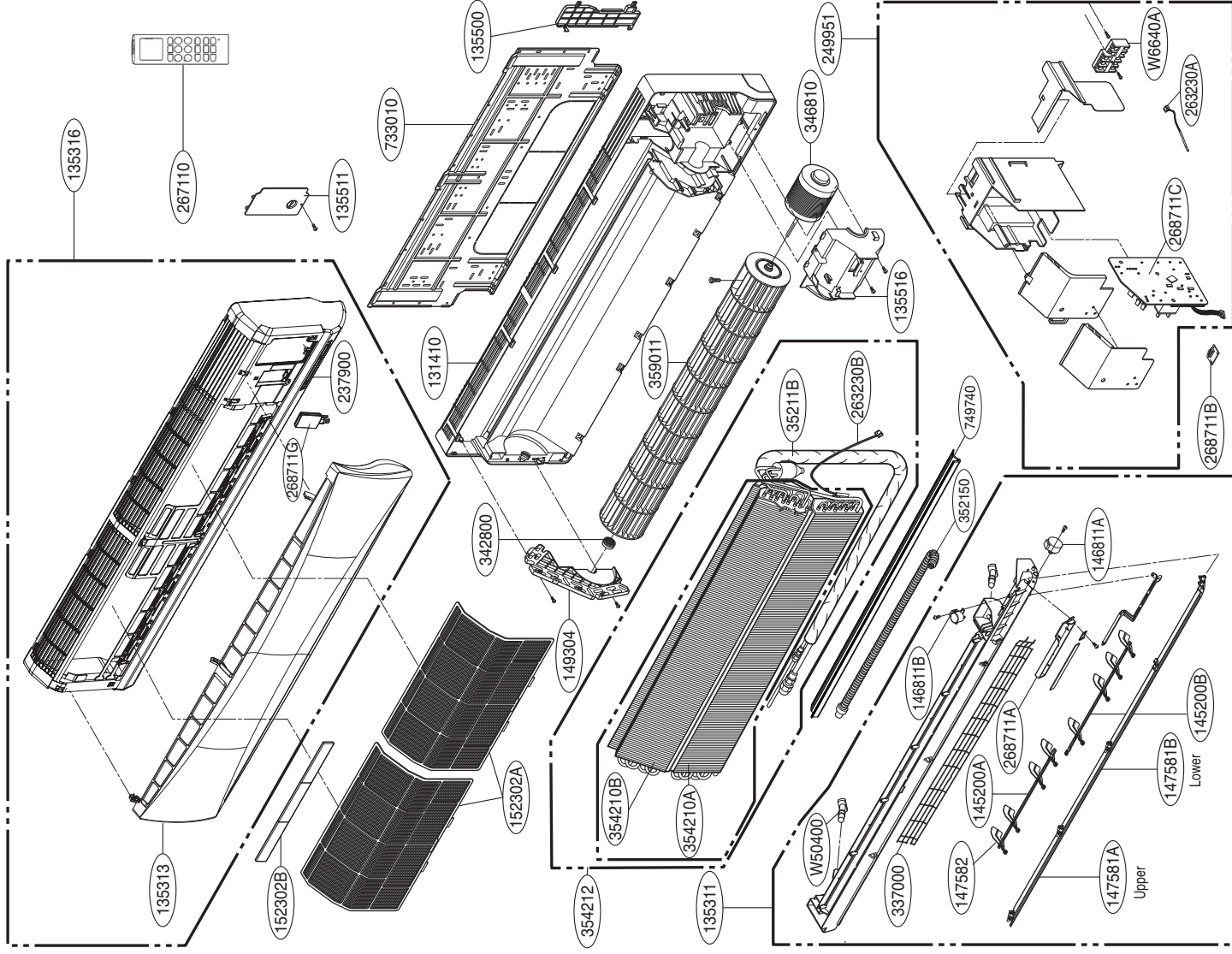


Outdoor Unit



Exploded View

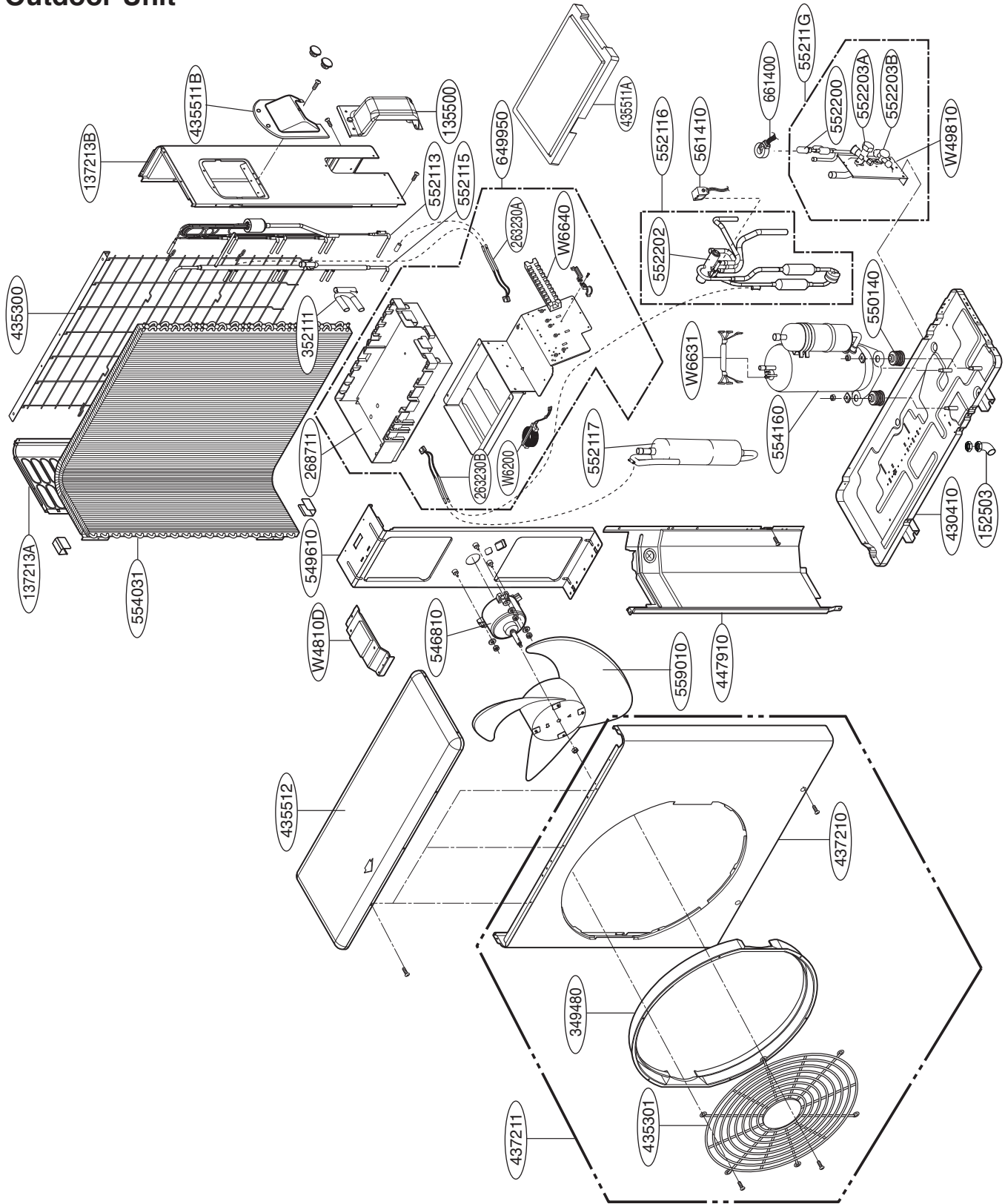
Indoor Unit



LOC	Description
263230A	Thermistor for suction air temperature
263230B	Thermistor for evaporator middle temperature

Note) * Please ensure GCSC since the replacement parts may be changed depending upon the buyer's request.
 Please check the correct parts in View RPL (Replacement Part List) on GCSC.
 (GCSC Website <http://biz.lgservice.com>.)

Outdoor Unit



LOC	Description
263230A	Thermistor for suction air temperature
	Thermistor for condense middle temperature
263230B	Thermistor for discharge pipe temperature



US	1. Please call the installing contractor of your product, as warranty service will be provided by them. 2. If you have service issues that have not been addressed by the contractor, please call 1-888-865-3026.
CANADA	Service call Number # : (888) LG Canada, (888) 542-2623

P/NO : MFL67501908

February, 2015