



ITEM #0131702

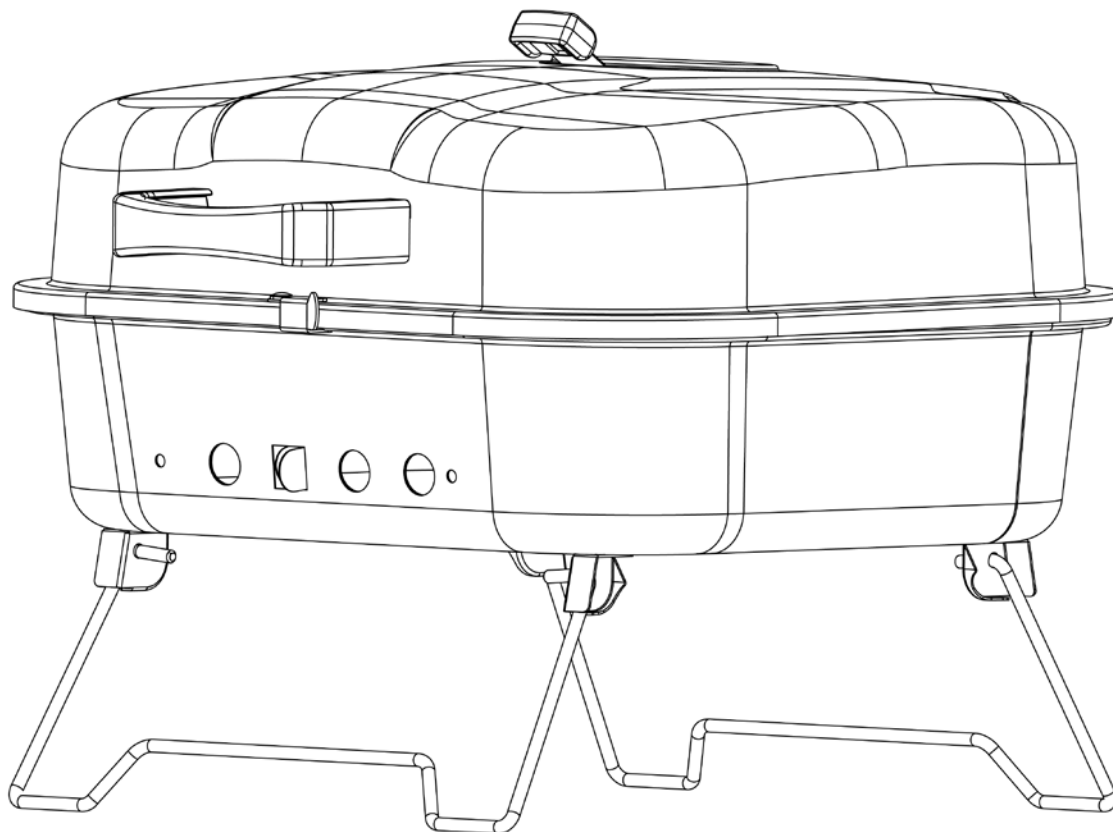
# OUTDOOR CHARCOAL GRILL

Master Forge & M Design® are registered trademarks of LF, LLC. All rights reserved.

MODEL #CBT1227L

Français p. 16

Español p. 33



Save these instructions for future reference. If you are assembling this unit for someone else, give this manual to him or her to read and save for future reference.

## ATTACH YOUR RECEIPT HERE

Serial Number \_\_\_\_\_ Purchase Date \_\_\_\_\_



**Questions, problems, missing parts?** Before returning to your retailer, call our customer service department at 1-800-963-0211, 8 a.m. - 6 p.m., Monday - Thursday, 8 a.m. - 5 p.m., Friday, EST.

## TABLE OF CONTENTS

Safety Information .....	3
Package Contents .....	5
Hardware Contents.....	6
Preparation .....	6
Assembly Instructions.....	7
Operating Instructions .....	10
First Use.....	11
Lighting.....	11
Cooking .....	11
Controlling Flare-ups.....	12
Tips .....	13
Care and Maintenance .....	13
Warranty .....	14
Replacement Parts List .....	15



### WARNING

**For Outdoor Use Only** (outside any enclosure)



### WARNING

1. Improper installation, adjustment, alteration, service or maintenance can cause injury or property damage.
2. Read the installation, operation, and maintenance instructions thoroughly before installing or servicing this equipment.
3. Failure to follow these instructions could result in fire or explosion, which could cause property damage, personal injury, or death.
4. This instruction manual contains important information necessary for the proper assembly and safe use of the appliance.
5. Read and follow all warnings and instructions before assembling and using the appliance.
6. Follow all warnings and instructions when using the appliance.
7. Keep this manual for future reference.



### DANGER

**Never operate this appliance unattended.**



### WARNING

**Do not store or use gasoline or other flammable liquids or vapors in the vicinity of this or any other appliance.**

## SAFETY INFORMATION

---

Please read and understand this entire manual before attempting to assemble, operate, or install the product. If you have any questions regarding the product, please call customer service at 1-800-963-0211, 8 a.m. - 6 p.m., Monday - Thursday, 8 a.m. - 5 p.m., Friday, EST.

### WARNINGS AND CAUTIONS

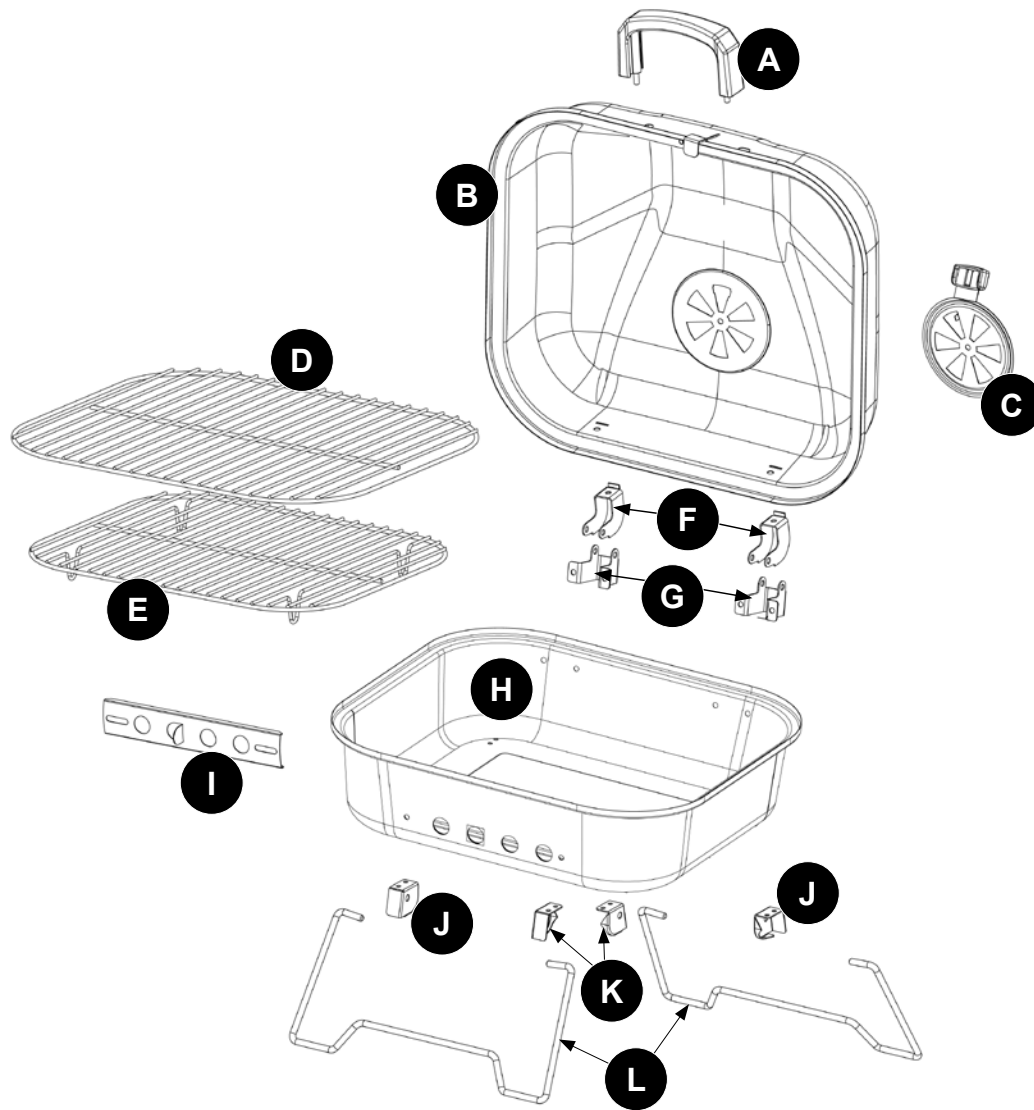
- This grill is for outdoor use only and should not be used in a building, garage or any other enclosed area.
- For residential use only. This grill is NOT for commercial use.
- Never use charcoal that has been pre-treated with lighter fluid. Use only a high grade plain charcoal, charcoal/wood mixture, lump charcoal or cooking wood. The conversion to or attempted use of any other fuel source in this charcoal grill is dangerous and will void your warranty.
- This grill is not intended for and should never be used as a heater. TOXIC fumes can accumulate and cause asphyxiation.
- Do not use grill for indoor cooking. Toxic carbon monoxide fumes can accumulate and cause asphyxiation.
- This grill is safety certified for use in the United States and Canada only. Do not modify for use in any other location. Modification will result in a safety hazard and will void the warranty.
- Do NOT operate, light or use this appliance within 10 feet (3.05 m) of walls, structures or buildings.
- Apartment dwellers: Check with management to learn the requirements and fire codes for using a charcoal grill in your apartment complex. If allowed, use outside on the ground floor with a 10 feet (3.05 m) clearance from any structure. Do not use on or under balconies.
- Minimum clearance from sides and back of unit to combustible construction is 36 inches (91.4 cm). Do not use this appliance under any type of overhang or roof.
- Do not use gasoline, kerosene or alcohol for lighting.
- Do not use in an explosive atmosphere. Keep grill area free and clear from combustible materials, gasoline and other flammable vapors and liquids.
- Do not store or use gasoline or other flammable liquids or vapors within 25 feet (7.62 m) of this appliance.
- Do not alter grill in any manner. Any altering will void your warranty.
- Do not use the grill unless it is COMPLETELY assembled and all parts are securely fastened and tightened.
- This grill should be thoroughly cleaned and inspected on a regular basis.
- Use only the manufacturer's authorized parts. The use of any part that is not factory authorized can be dangerous and will void your warranty.
- Do not use this appliance without reading "Operating Instructions" in this manual.
- Do not touch metal parts of grill until it has completely cooled (about 45 min.) to avoid burns, unless you are wearing protective gear (pot holders, gloves, BBQ mittens, etc.).
- Never touch grates (charcoal or cooking), ashes or coals to see if they are hot.
- Do not use on wooden decks, wooden furniture or other combustible surfaces.
- Do not use in or on boats or recreational vehicles.
- Position grill so wind can not carry ashes to combustible surfaces.
- Do not use in high winds.
- Never lean over the grill when lighting.
- Do not leave a lit grill unattended. Keep children and pets away from grill at all times.

## SAFETY INFORMATION

---

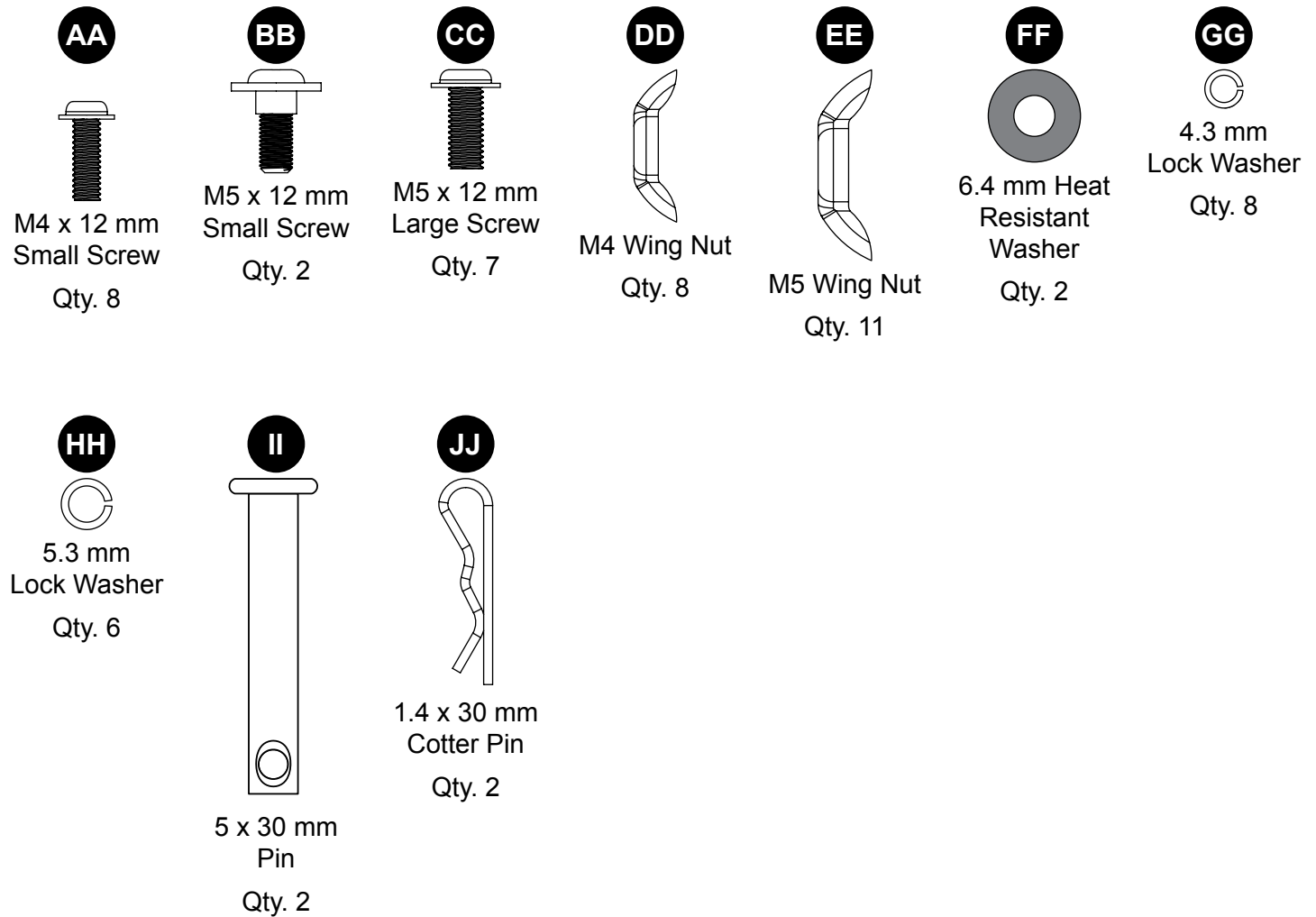
- Do not attempt to move grill when in use. Allow the grill to cool (about 45 min.) before moving or storing.
- When cooking, fire extinguishing materials shall be readily accessible. In the event of an oil/grease fire, do not attempt to extinguish with water. Use type BC dry chemical fire extinguisher or smother with dirt, sand or baking soda.
- Always open grill lid carefully and slowly as heat and steam trapped within grill can severely burn you.
- Do not leave grill unattended while preheating or burning off food residue. If grill has not been cleaned, a grease fire can occur that may damage the product.
- Do not place empty cooking vessels on the appliance while in operation.
- Use caution when placing anything on the grill while the appliance is in operation.
- Never add lighting fluid to hot or even warm coals as flashback may occur causing serious injury or damage to property.
- Always place your grill on a hard, non-combustible level surface. An asphalt or blacktop surface may not be acceptable for this purpose.
- Do not remove the ashes until they are completely and fully extinguished.
- Live hot briquettes and coals can create a fire hazard.
- Always empty the ash catcher and grill after each use.
- Do not place fuel (charcoal briquettes, wood or lump charcoal) directly into bottom of grill. Place fuel only on the charcoal pan/grid.
- Do not allow charcoal to rest on the walls of grill. Doing so will greatly reduce the life of the metal and finish of your grill.
- Check to make sure the air vents are free of debris and ash before using the grill.
- Make sure ash catcher is securely and completely in place before using the grill.
- Extinguished coals and ashes should be placed a safe distance from all structures and combustible materials.
- With a garden hose, completely wet the surface beneath and around grill to extinguish any ashes, coals or embers that may have fallen during the cooking or cleaning process.
- Always wear protective gloves when adding fuel (charcoal briquettes, wood or lump charcoal) to retain desired heat level.
- Keep all electrical cords away from a hot grill.
- Always use a meat thermometer to ensure food is cooked to a safe temperature.
- Never cover entire cooking area with aluminum foil.
- Use protective gloves when assembling this product.
- Do not force parts together as this can result in personal injury or damage to the product.
- Death, serious injury or damage to property may occur if the above is not followed exactly.

# PACKAGE CONTENTS



PART	DESCRIPTION	QUANTITY
A	Handle	1
B	Lid	1
C	Lid Air Vent	1
D	Cooking Grid	1
E	Charcoal Grid	1
F	Top Hinges	2
G	Bottom Hinges	2
H	Bottom Bowl	1
I	Bottom Bowl Air Vent	1
J	Leg Support A	2
K	Leg Support B	2
L	Legs	2

## HARDWARE CONTENTS (shown actual size)



## PREPARATION

Before beginning assembly of product, make sure all parts are present. Compare parts with package contents list and hardware contents list. If any part is missing or damaged, do not attempt to assemble the product.

For Easiest Assembly:

- To avoid losing any small components or hardware, assemble your product on a hard level surface that does not have cracks or openings.
- Clear an area large enough to layout all components and hardware.
- When applicable, tighten all hardware connections by hand first. Once the step is completed go back and fully tighten all hardware.
- Follow all steps in order to properly assemble your product.

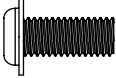
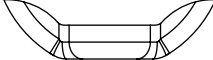
**Estimated Assembly Time: 30 minutes**

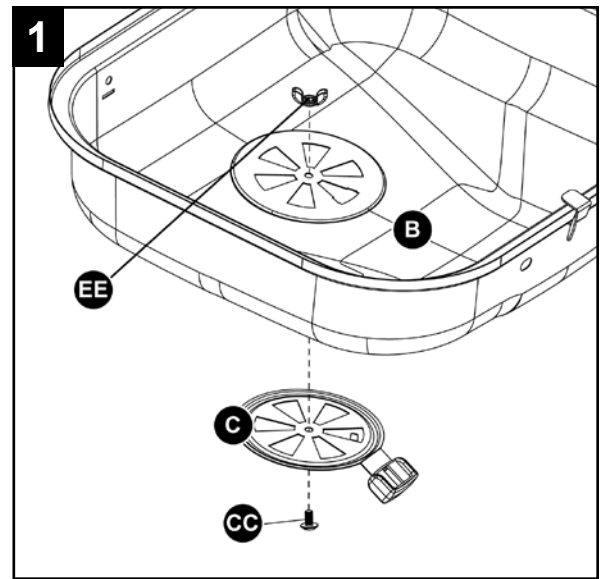
Tools Required for Assembly (Not Included): No. 2 Phillips Head Screwdriver

## ASSEMBLY INSTRUCTIONS

1. Attach lid air vent (C) to the lid (B) using one M5 x 12 mm large screw (CC) and one M5 wing nut (EE).

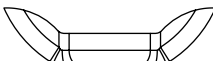

### Hardware Used

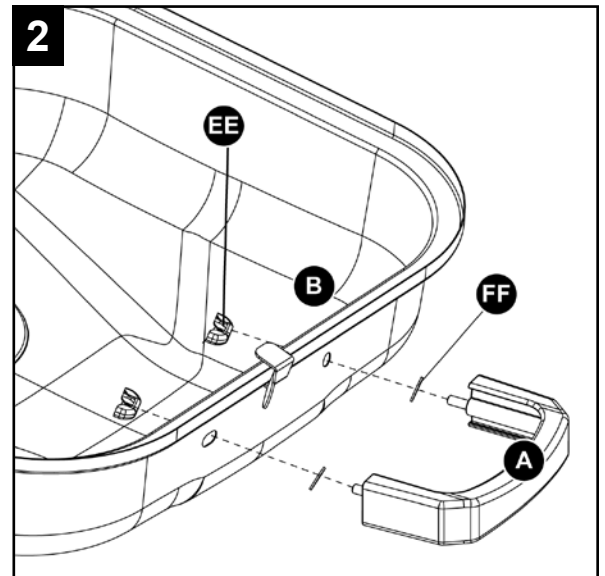
<b>CC</b>	M5 x 12 mm Large Screw		x 1
<b>EE</b>	M5 Wing Nut		x 1



2. Attach the handle (A) to the lid (B) using two 6.4 mm heat resistant washers (FF) and two M5 wing nuts (EE).

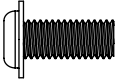
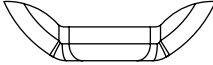

### Hardware Used

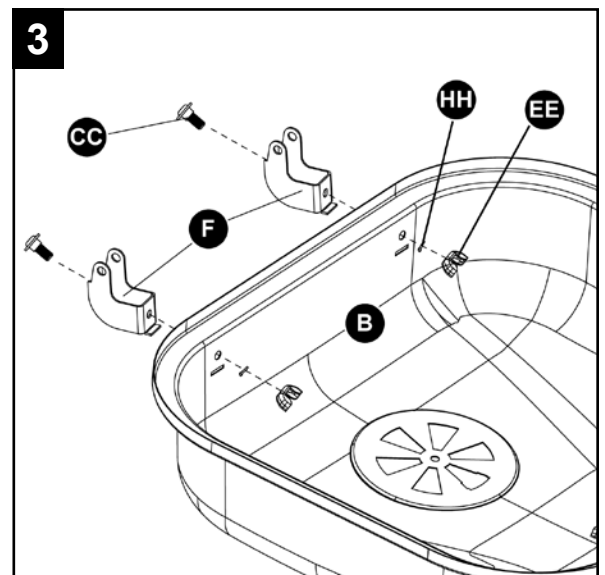
<b>EE</b>	M5 Wing Nut		x 2
<b>FF</b>	6.4 mm Heat Resistant Washer		x 2



3. Attach the top hinges (F) to the lid (B) using two sets of M5 x 12 mm large screws (CC), 5.3 mm lock washers (HH) and M5 wing nuts (EE).

### Hardware Used

<b>CC</b>	M5 x 12 mm Large Screw		x 2
<b>EE</b>	M5 Wing Nut		x 2
<b>HH</b>	5.3 mm Lock Washer		x 2

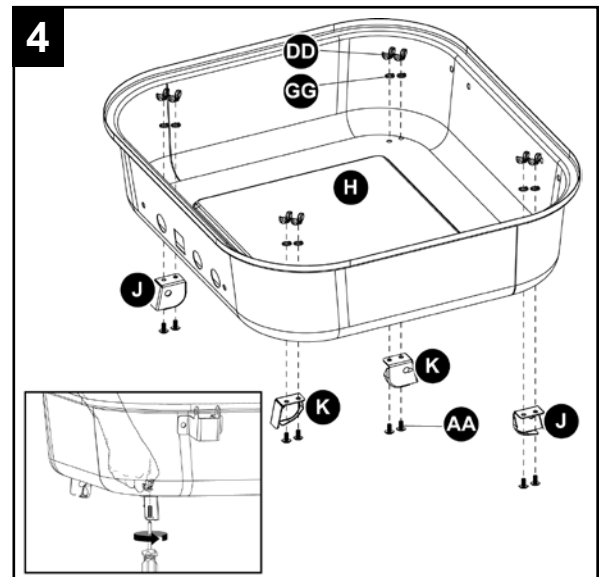


## ASSEMBLY INSTRUCTIONS




4. Attach the leg supports A (J) to the bottom bowl (H) using two sets of two M4 x 12 mm small screws (AA), two 4.3 mm lock washers (GG) and two M4 wing nuts (DD).

Attach the leg supports B (K) to the bottom bowl (H) using two sets of two M4 x 12 mm small screws (AA), two 4.3 mm lock washers (GG) and two M4 wing nuts (DD).

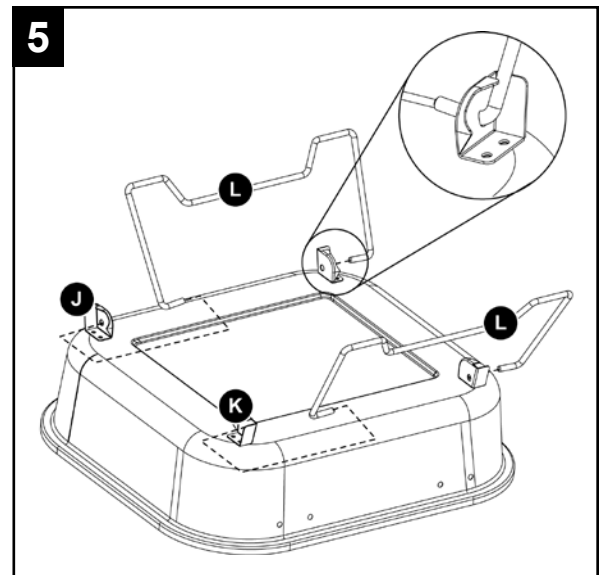
**Note:** While holding lock washer (GG) and wing nut (DD), use screwdriver to attach small screw (AA) to wing nut (DD).



### Hardware Used

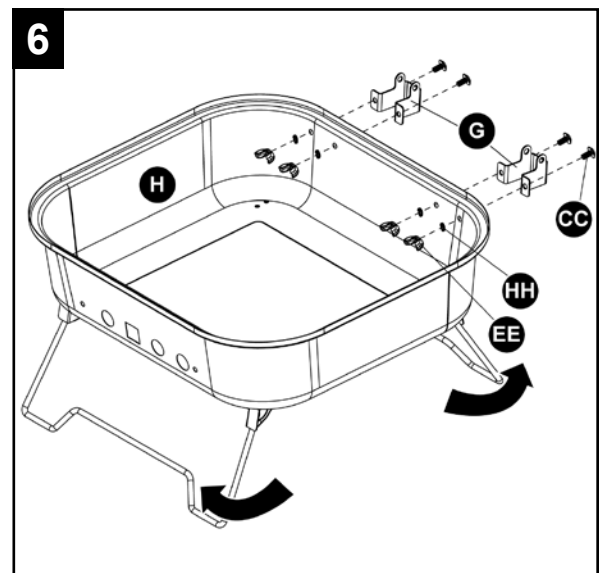
<b>AA</b>	M4 x 12 mm Small Screw		x 8
<b>DD</b>	M4 Wing Nut		x 8
<b>GG</b>	4.3 mm Lock Washer		x 8

5. Attach the legs (L) to the leg supports (J and K).






6. Pull legs to the outside of the grill until they lock into place.

Attach the bottom hinges (G) to the bottom bowl (H) using two sets of two M5 x 12 mm large screws (CC), two 5.3 mm lock washers (HH) and two M5 wing nuts (EE).



### Hardware Used

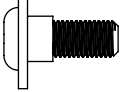
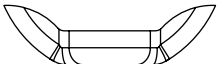
<b>CC</b>	M5 x 12 mm Large Screw		x 4
<b>EE</b>	M5 Wing Nut		x 4
<b>HH</b>	5.3 mm Lock Washer		x 4

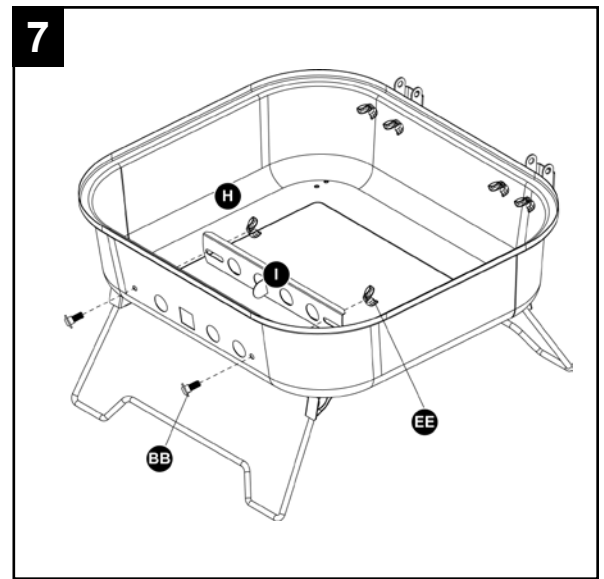


## ASSEMBLY INSTRUCTIONS

7. Attach the bottom bowl air vent (I) to the bottom bowl (H) using two M5 x 12 mm small screws (BB) and two M5 wing nuts (EE).

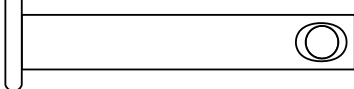
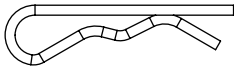
### Hardware Used

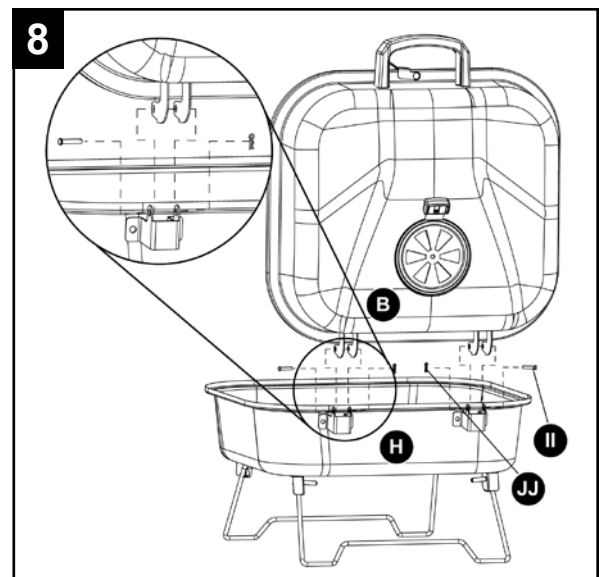
<b>BB</b>	M5 x 12 mm Small Screw		x 2
<b>EE</b>	M5 Wing Nut		x 2



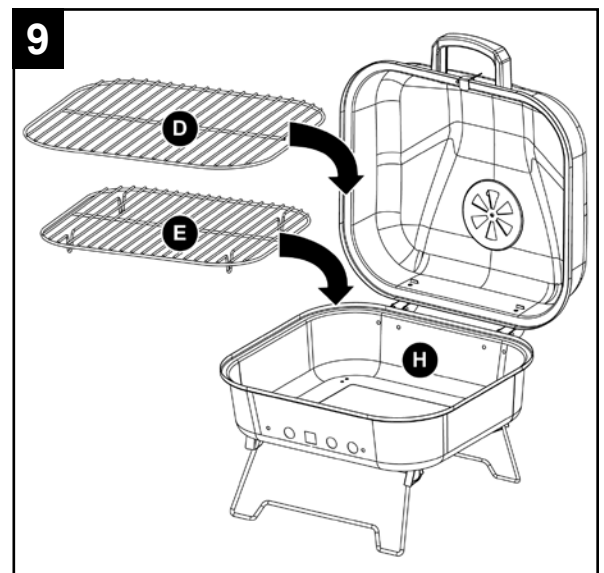
8. Attach the lid (B) to the bottom bowl (H) using two 5 x 30 mm pins (II) and two 1.4 x 30 mm cotter pins (JJ).

### Hardware Used

<b>II</b>	5 x 30 mm Pin		x 2
<b>JJ</b>	1.4 x 30 mm Cotter Pin		x 2



9. Insert the charcoal grid (E) and then the cooking grid (D) into the bottom bowl (H).



## OPERATING INSTRUCTIONS

### To lock the grill:

Close the lid. Slide the lock forward until the sides of the lock cover the lid and bottom bowl. See Fig. 1a.

### To unlock the grill:

Slide the lock backwards until the lock stops or both sides of the lock are free from the lid and bottom bowl. See Fig. 1b.

Fig. 1a

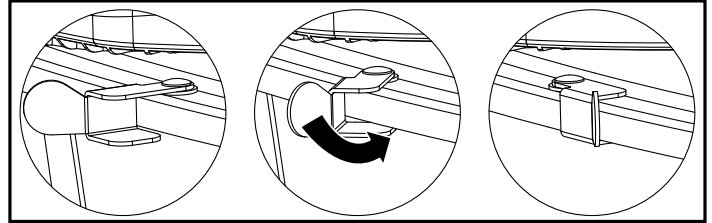
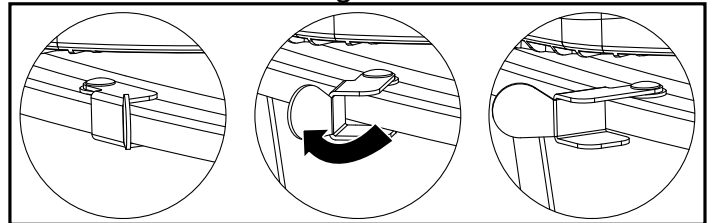


Fig. 1b

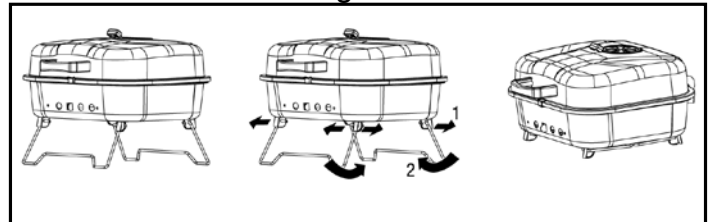


### To fold the legs for storage or transport:

#### CAUTION

- All transporting and storage should be done when grill is cool and with the fuel supply removed.
- Always lock grill before folding legs and transporting.

Fig. 2a

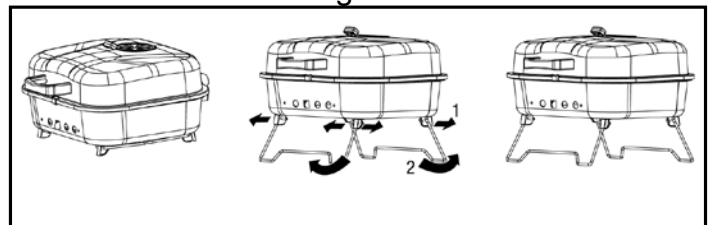


Pull legs to the center of the grill until they lock into place. See Fig. 2a.

### To unfold the legs for grilling:

Pull legs to the outside of the grill until they lock into place. See Fig. 2b.

Fig. 2b



## OPERATING INSTRUCTIONS

---

This appliance is designed for use only with quality charcoal briquettes, lump charcoal and cooking wood.

### CAUTION

- Never use charcoal that has been pre-treated with lighter fluid. Use only a high grade plain charcoal, charcoal/wood mixture, lump charcoal or cooking wood.

### First Use

1. Make sure all labels, packaging and protective films have been removed from the grill.
2. Before cooking on this grill for the first time, remove manufacturing oils on the grill by operating it for at least 15 minutes with the lid closed. This will “heat clean” the internal parts and dissipate odors.

### Lighting

#### CAUTION

- Check to make sure the air vents are free of debris and ash before using the grill.
- Make sure ash catcher is empty and securely and completely in place before using the grill.

1. Open lid and vents.
2. Make sure ash receiver is empty and secure.
3. Remove cooking grid.
4. Arrange charcoal briquettes or other fuel on the charcoal grid.
5. Light per instructions on fuel package.
6. Allow fuel to become glowing coals before cooking.

#### CAUTION

- When using a liquid starter always check ash catcher before lighting. Fluid can collect in the ash receiver and could ignite resulting in a fire below the bowl.
- Never add lighting fluid to hot or even warm coals as flashback may occur causing serious injury or damage to property.

### Direct Cooking

Cooking directly over hot coals is ideal for searing in juices and grilling food requiring less than 25 minutes of grilling time such as steaks, hamburgers, hot dogs, chicken parts, vegetables and fruit.

1. Open lid and remove cooking grid.
2. Load and light charcoal per “Lighting” section. Leave lid open.
3. While wearing protective gloves, carefully spread hot coals evenly across charcoal grid with a long-handled tool.
4. While wearing protective gloves, replace cooking grid, close lid and allow grill to preheat.
5. While wearing protective gloves, open lid and place food onto cooking grids above the hot coals with long handle tongs.
6. With lid open or closed, cook until desired internal food temperatures are achieved.

**Note:** If additional briquettes are needed, remove food from cooking grid and, while wearing protective gloves, remove the cooking grid and place additional briquettes without disturbing the hot coals. Carefully replace cooking grid and food.

7. Allow charcoal to burn out by closing lid and all vents. Except in the case of an emergency, do NOT pour water on hot coals.

## OPERATING INSTRUCTIONS

---

### Indirect Cooking

Not cooking directly over hot coals is ideal for slow cooking and grilling foods requiring more than 25 minutes, such as most roasts, loins, chops, whole chickens, turkey, fish and baked goods.

1. Open lid and remove cooking grid.
2. Load and light charcoal per “Lighting” section. Leave lid open.
3. While wearing protective gloves, carefully spread hot coals evenly across charcoal grid with a long-handled tool.
4. While wearing protective gloves, replace cooking grid, close lid and allow grill to preheat.
5. Wear protective gloves, to open lid. Use long-handled tools to place food onto cooking grids above the areas without hot coals.
6. With lid closed, cook until desired internal food temperatures are achieved.  
**Note:** If additional briquettes are needed, remove food from cooking grid and, while wearing protective gloves, remove the cooking grid and place additional briquettes without disturbing the hot coals. Carefully replace cooking grid and food.
7. Allow charcoal to burn out by closing lid and all vents. Except in the case of an emergency, do NOT pour water on hot coals.

For more tips on indirect cooking, please see “Tips for Better Cookouts and Longer Grill Life.”

### Controlling Flare-ups



#### WARNING

- Do not use water on a grease fire. This can cause the grease to splatter and could result in serious burns, bodily harm or other damage.
- When cooking, fire extinguishing materials should be readily accessible. In the event of an oil/grease fire, do not attempt to extinguish with water. Use type BC dry chemical fire extinguisher or smother with dirt, sand or baking soda.

### CAUTION

- Do not leave grill unattended while preheating or burning off food residue. If grill has not been cleaned, a grease fire can occur that may damage the product.
- Flare-ups are a part of cooking meats on a grill and add to the unique flavor of grilling.
- Excessive flare-ups can over-cook your food and cause a dangerous situation for you and your grill.
- Excessive flare-ups result from the build-up of grease in the bottom of your grill.
- If excessive flare-ups occur, DO NOT pour water onto the flames.
- If a grease fire occurs, close the lid until the grease burns out. Use caution when opening the lid as sudden flare-ups may occur.

### Minimizing Flare-ups

1. Trim excess fat from meats prior to cooking.
2. Cook high fat content meats indirectly.
3. Ensure that your grill is on a hard, level, non-combustible surface.

## OPERATING INSTRUCTIONS

---

### Tips for Better Cookouts and Longer Grill Life

1. To reduce flare-up, keep grill clean, use lean cuts of meat (or trim fat) and avoid cooking on very high temperatures.
2. Place delicate foods like fish and vegetables in aluminum foil pouches and indirect cook or place on upper cooking levels (warming rack).
3. To avoid losing natural juices, use long-handled tongs or spatulas instead of forks and turn foods over just once during cooking.
4. When indirect cooking roasts and larger cuts of meat, place meat onto a roasting rack inside a heavy gauge metal pan.
5. Try water pans to reduce flare-ups and cook juicer meats. Before starting coals, remove cooking grids and place a heavy-duty shallow pan directly on charcoal grid. Fill half way with water, fruit juices or other flavored liquids. Place coals around grid per "Lighting," replace cooking grids and position food over the loaded pan.
6. Enhance food flavors by using wood chips in smoker boxes or aluminum foil pouches. Follow the wood manufacturer's instructions.
7. Rotisseries, grill baskets, vertical poultry holders and other accessories can enhance your grilling, reduce cooking times and aid in clean-up.
8. Clean cooking grids and racks after every use with a quality grill brush designed for your grid material. Wear protective gloves and gently remove the build-up while grids are hot.
9. Allow grill to fully cool after every use. Protect clean cooking grids with a light coat of cooking oil, clean out all ashes, wipe outside surfaces with a suitable kitchen cleaner and protect surfaces with a quality cover that properly fits your grill.
10. Watch barbecue themed TV shows or purchase related barbecue cookbooks to learn helpful and interesting tips.

## CARE AND MAINTENANCE

---



### WARNING

- DO NOT clean any grill part in a self cleaning oven. The extreme heat will damage the finish.

### CAUTION

- All cleaning and maintenance should be done when grill is cool (about 45 minutes) and with the fuel supply removed.

### NOTICE

- Abrasive cleaners will damage this product.
- Never use oven cleaner to clean any part of grill.

### Cleaning Surfaces

1. Wipe surfaces clean with mild dishwashing detergent or baking soda.
2. For stubborn surfaces, use a citrus-based degreaser and a nylon scrubbing brush.
3. Rinse clean with water.

### Tips

1. Keep grill covered when not in use to help prevent rust.
2. Applying a light coat of vegetable oil or vegetable oil spray to the interior surfaces of the grill can help prevent rust. Do NOT coat charcoal grate or ash receiver.

## LIMITED WARRANTY

---

The Manufacturer warrants to the original retail purchaser of this product, and to no other person, that if this product is assembled and operated in accordance with the printed instructions accompanying it, then for a period of one (1) year from the date of purchase, all parts in such product shall be free from defects in material and workmanship. The Manufacturer may require reasonable proof of your date of purchase. Therefore, you should retain your sales slip or invoice. This Limited Warranty shall be limited to the repair or replacement of parts, which prove defective under normal use and service and which The Manufacturer shall determine in its reasonable discretion upon examination to be defective. Before returning any parts, you should contact The Manufacturer's Customer Service Department using the contact information listed below. If The Manufacturer confirms, after examination, a defect covered by this Limited Warranty in any returned part, and if The Manufacturer approves the claim, The Manufacturer will replace such defective part without charge. If you return defective parts, transportation charges must be prepaid by you. The Manufacturer will return replacement parts to the original retail purchaser, freight or postage prepaid.

This Limited Warranty does not cover any failures or operating difficulties due to accident, abuse, misuse, alteration, misapplication, improper installation or improper maintenance or service by you or any third party, or failure to perform normal and routine maintenance on the product as set out in this owner's manual. In addition, the Limited Warranty does not cover damage to the finish, such as scratches, dents, discoloration, rust or other weather damage, after purchase.

This Limited Warranty is in lieu of all other express warranties. The Manufacturer disclaims all warranties for products that are purchased from sellers other than authorized retailers or distributors, including the warranty of merchantability or the warranty of fitness for a particular purpose. THE MANUFACTURER ALSO DISCLAIMS ANY AND ALL IMPLIED WARRANTIES, INCLUDING WITHOUT LIMITATION THE IMPLIED WARRANTIES OF MERCHANTABILITY AND FITNESS FOR A PARTICULAR PURPOSE. THE MANUFACTURER SHALL HAVE NO LIABILITY TO PURCHASER OR ANY THIRD PARTY FOR ANY SPECIAL, INDIRECT, PUNITIVE, INCIDENTAL, OR CONSEQUENTIAL DAMAGES. The Manufacturer further disclaims any implied or express warranty of, and assumes no responsibility for, defects in workmanship caused by third parties.

This Limited Warranty gives the purchaser specific legal rights; a purchaser may have other rights depending upon where he or she lives. Some jurisdictions do not allow the exclusion or limitation of special, incidental or consequential damages, or limitations on how long a warranty lasts, so the above exclusion and limitations may not apply to everyone.

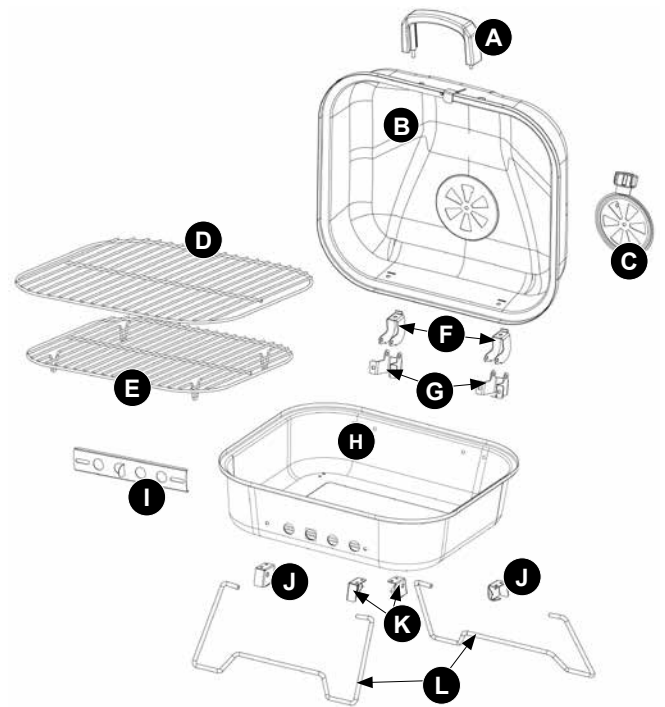
The Manufacturer does not authorize any person or company to assume for it any other obligation or liability in connection with the sale, installation, use, removal, return, or replacement of its equipment, and no such representations are binding on The Manufacturer.

For warranty service call, 1-800-963-0211, 8 a.m. - 6 p.m., Monday - Thursday, 8 a.m. - 5 p.m., Friday, EST.

## REPLACEMENT PARTS

For replacement parts, call our customer service department at 1-800-963-0211, 8 a.m. - 6 p.m., Monday - Thursday, 8 a.m. - 5 p.m., Friday, EST.

PART	DESCRIPTION	PART #
A	Handle	55-09-098
B	Lid	55-22-000
C	Lid Air Vent	55-08-367
D	Cooking Grid	55-09-095
E	Charcoal Grid	55-09-094
F	Top Hinges	55-15-330
G	Bottom Hinges	55-15-329
H	Bottom Bowl	55-22-001
I	Bottom Bowl Air Vent	55-09-535
J	Leg Support A	55-22-303
K	Leg Support B	55-22-304
L	Legs	55-22-002



Printed in China

Master Forge and M Design® is a registered trademark of LF, LLC. All rights reserved.

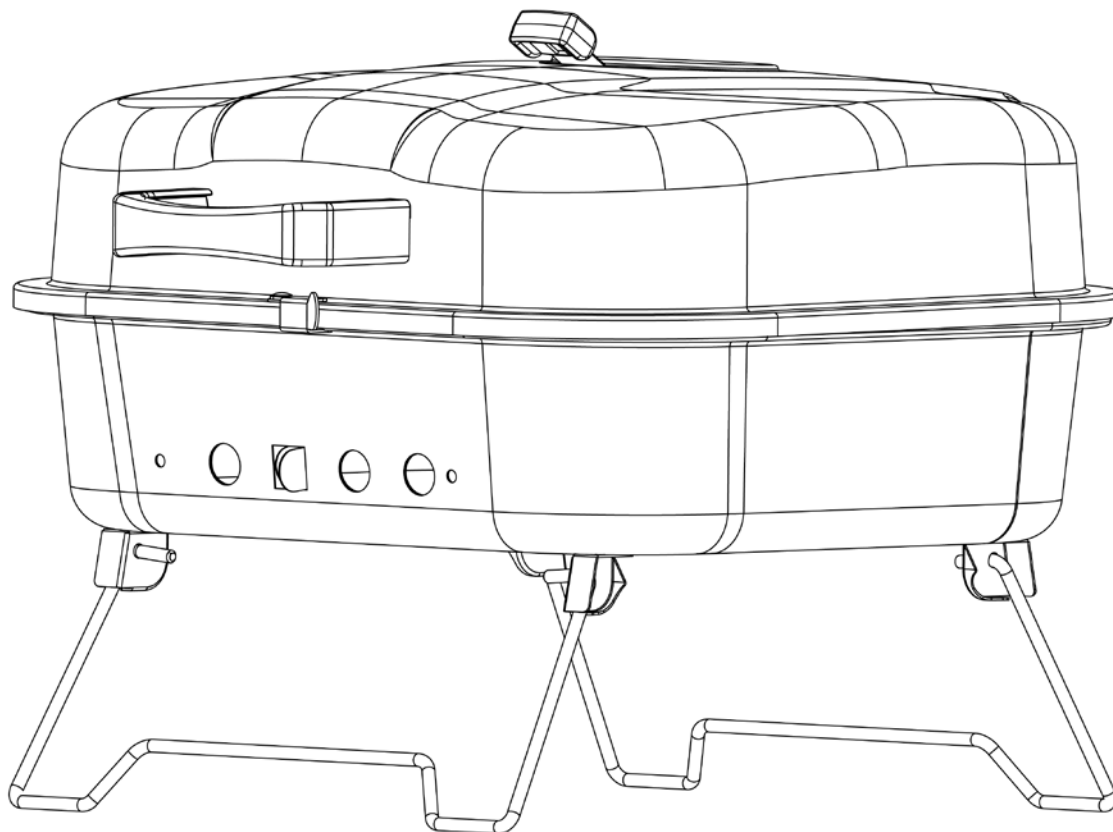


ARTICLE #0131702

# BARBECUE AU CHARBON POUR L'EXTÉRIEUR

MODÈLE #CBT1227L

Master Forge et le motif M Design® sont des marques de commerce déposées de LF, LLC. Tous droits réservés.



Conservez ces instructions pour les consulter ultérieurement. Si vous assemblez cet appareil pour une autre personne, remettez-lui ce guide pour qu'elle puisse le consulter ultérieurement.

## JOIGNEZ VOTRE REÇU ICI

Numéro de série \_\_\_\_\_ Date d'achat \_\_\_\_\_



**Des questions, des problèmes, des pièces manquantes?** Avant de retourner l'article au détaillant, appelez notre service à la clientèle au 1 800 963-0211, entre 8 h et 18 h, du lundi au jeudi, ou entre 8 h et 17 h (HNE) le vendredi.



## TABLE DES MATIÈRES

Consignes de sécurité .....	18
Contenu de l'emballage.....	21
Quincaillerie incluse.....	22
Préparation .....	22
Instructions pour l'assemblage.....	23
Mode d'emploi .....	27
Première utilisation.....	27
Éclairage .....	27
Cuisson .....	27
Contrôle des flambées .....	28
Conseils .....	29
Entretien .....	30
Garantie.....	31
Liste des pièces de rechange.....	32



## AVERTISSEMENT

À utiliser à l'extérieur seulement (et non dans un endroit clos)



## AVERTISSEMENT

1. Une installation, un réglage, une modification, une utilisation ou un entretien inadéquat peuvent causer des blessures ou des dommages matériels.
2. Lisez attentivement les instructions de fonctionnement et d'entretien avant de procéder à l'installation ou à l'entretien de cet appareil.
3. La non-observance de ces instructions peut entraîner un incendie ou une explosion et causer des dommages matériels, des blessures ou la mort.
4. Le présent guide contient des renseignements importants qui permettent d'assembler l'appareil de façon appropriée et de l'utiliser en toute sécurité.
5. Avant d'assembler et d'utiliser l'appareil, lisez et suivez tous les avertissements ainsi que toutes les instructions.
6. Lorsque vous utilisez l'appareil, suivez tous les avertissements et toutes les instructions.
7. Veuillez conserver ce guide pour vous y référer ultérieurement.



## DANGER

Ne jamais laisser cet appareil sans surveillance.



## AVERTISSEMENT

Ne rangez pas et n'utilisez pas de l'essence ou d'autres liquides ou vapeurs inflammables à proximité de cet appareil ou de tout autre appareil.

## **CONSIGNES DE SÉCURITÉ**

---

Assurez-vous de lire et de comprendre l'intégralité de ce manuel avant de tenter d'assembler, d'utiliser ou d'installer le produit. Si vous avez des questions, veuillez téléphoner à notre service à la clientèle au 1 800 963-0211, entre 8 h et 18 h, du lundi au jeudi, ou entre 8 h et 17 h (HNE) le vendredi.

## **AVERTISSEMENTS ET MISES EN GARDE**

- Ce barbecue est conçu pour un usage extérieur seulement et ne doit jamais être utilisé dans un immeuble, un garage ou tout autre espace clos.
- Pour un usage résidentiel seulement. Ce barbecue n'est PAS conçu pour un usage commercial.
- N'utilisez jamais de charbon de bois ayant été prétraité avec de l'essence à briquet. Utilisez seulement du charbon de bois lisse de qualité supérieure, un mélange de charbon de bois et de bois, du charbon de bois en blocs ou du bois de cuisson. La conversion de ce barbecue pour une utilisation avec tout autre combustible, ou la tentative de l'utiliser avec tout autre combustible, est dangereuse et annulerait votre garantie.
- Ce barbecue ne doit pas être utilisé comme appareil de chauffage. Des vapeurs TOXIQUES peuvent s'accumuler et causer une asphyxie.
- N'utilisez pas ce barbecue pour la cuisson à l'intérieur. Des vapeurs de monoxyde de carbone toxiques peuvent s'accumuler et causer l'asphyxie.
- Ce barbecue est homologué uniquement pour une utilisation aux États-Unis et au Canada. Ne le modifiez pas pour l'utiliser dans un autre lieu. Une telle modification représenterait un risque pour la sécurité et annulerait la garantie.
- ÉVITEZ d'allumer ou d'utiliser cet appareil à une distance de moins de 3,05 m (10 pi) d'un mur, d'une structure ou d'un immeuble.
- Résidents d'un immeuble d'habitation : vérifiez auprès de la direction les exigences et les codes de prévention des incendies s'appliquant à l'utilisation d'un barbecue au charbon de bois dans votre immeuble d'habitation.
- Si l'usage est permis, utilisez-le au rez-de-chaussée, en l'éloignant au moins de 3,05 m (10 pi) de toute structure. Ne l'utilisez pas sur ou sous un balcon.
- Les matériaux combustibles doivent être tenus à une distance d'au moins 91,44 cm (36 po) des côtés et de l'arrière de l'appareil. N'utilisez cet appareil sous aucun type de toit (en saillie ou autre).
- N'utilisez pas d'essence, de kérosène ni d'alcool pour l'allumage.
- N'utilisez pas le barbecue dans un endroit présentant un risque d'explosion. Assurez-vous que l'espace autour du barbecue est propre et exempt de matériaux combustibles, d'essence et d'autres vapeurs ou liquides inflammables.
- Évitez d'entreposer ou d'utiliser de l'essence ou tout autre liquide ou vapeur inflammable à une distance de moins de 7,62 mètres de cet appareil.
- Ne modifiez pas ce barbecue de quelque façon que ce soit. Toute modification annulera votre garantie.
- N'utilisez ce barbecue que s'il est COMPLÈTEMENT assemblé et que toutes les pièces sont fixées et serrées solidement.
- Nettoyez à fond et examinez régulièrement le barbecue.
- N'utilisez que des pièces autorisées par le fabricant. L'utilisation de pièces non autorisées peut s'avérer dangereuse et annulerait votre garantie.
- N'utilisez pas le barbecue avant d'avoir lu la section « Mode d'emploi » de ce guide.



## CONSIGNES DE SÉCURITÉ

---

- Afin d'éviter les brûlures, ne touchez pas les parties en métal du barbecue avant que celui-ci ne soit complètement refroidi (le refroidissement nécessite environ 45 minutes), à moins d'utiliser des articles de protection (poignées, gants, mitaines pour le barbecue, etc.).
- Ne touchez jamais les grilles, les cendres ou les briquettes de charbon pour vérifier si elles sont chaudes.
- N'utilisez pas ce barbecue sur une terrasse en bois, un meuble en bois ou toute autre surface combustible.
- N'utilisez pas le barbecue sur un bateau ou dans un véhicule récréatif.
- Placez les grilles de façon à ce que le vent ne puisse pas envoyer les cendres sur une surface combustible.
- N'utilisez pas ce barbecue lorsque les vents sont violents.
- Ne vous penchez jamais au-dessus du barbecue lorsque vous l'allumez.
- Ne laissez pas un barbecue allumé sans surveillance. Gardez le barbecue hors de la portée des enfants et des animaux en tout temps.
- Ne tentez pas de déplacer le barbecue lorsqu'il est allumé. Laissez-le refroidir (environ 45 minutes) avant de le déplacer ou de le ranger.
- Pendant la cuisson, du matériel d'extinction d'incendie doit être facilement accessible. Si un feu d'huile ou de graisse se déclare, ne tentez pas de l'éteindre avec de l'eau. Utilisez un extincteur d'incendie chimique de type poudres BC, ou étouffez le feu avec de la poussière, du sable ou du bicarbonate de soude.
- Ouvrez toujours le couvercle du barbecue lentement et avec précaution, car la chaleur et la vapeur qui s'en échappent peuvent causer des brûlures graves.
- Ne laissez jamais le barbecue sans surveillance lors du préchauffage ou lorsque vous faites brûler les résidus au réglage élevé. Si le barbecue n'a pas été nettoyé, un feu de graisse peut se déclarer et pourrait endommager le produit.
- Ne déposez pas de récipients de cuisson vides sur l'appareil lorsqu'il est en marche.
- Soyez prudent lorsque vous déposez quoi que ce soit sur le barbecue lorsque celui-ci est en marche.
- N'ajoutez jamais d'essence à briquet sur des briquettes de charbon chaudes ou même tièdes, car cela risquerait de provoquer un retour de flamme et d'entraîner des blessures graves ou des dommages matériels.
- Placez toujours le barbecue sur une surface dure, plane et non combustible. Il se peut qu'une surface recouverte d'asphalte ou de revêtement bitumineux ne convienne pas.
- Laissez les cendres s'éteindre complètement avant de les retirer.
- Les briquettes de charbon ardentes peuvent provoquer un incendie.
- Videz le bac à cendre et le barbecue après chaque utilisation.
- Ne placez pas de combustible (briquettes de charbon, bois, blocs de charbon de bois) directement dans le fond du barbecue; utilisez la grille ou le bac prévu à cet effet.
- Ne laissez pas de charbon de bois reposer contre les parois du barbecue. Cela réduirait considérablement la durée de vie utile du métal et du fini du barbecue.
- Retirez les débris ou les cendres obstruant les événements d'aération avant l'utilisation du barbecue.
- Assurez-vous que le bac à cendres est solidement fixé avant d'utiliser le barbecue.
- Les morceaux de charbon de bois éteints et les cendres doivent être placés à une distance sécuritaire de toute structure et matière combustible.
- À l'aide d'un boyau d'arrosage, mouillez complètement la surface sous le barbecue et autour de celui-ci pour éteindre les cendres, les briquettes de charbon ou les braises qui pourraient être tombées lors de la cuisson ou du nettoyage.

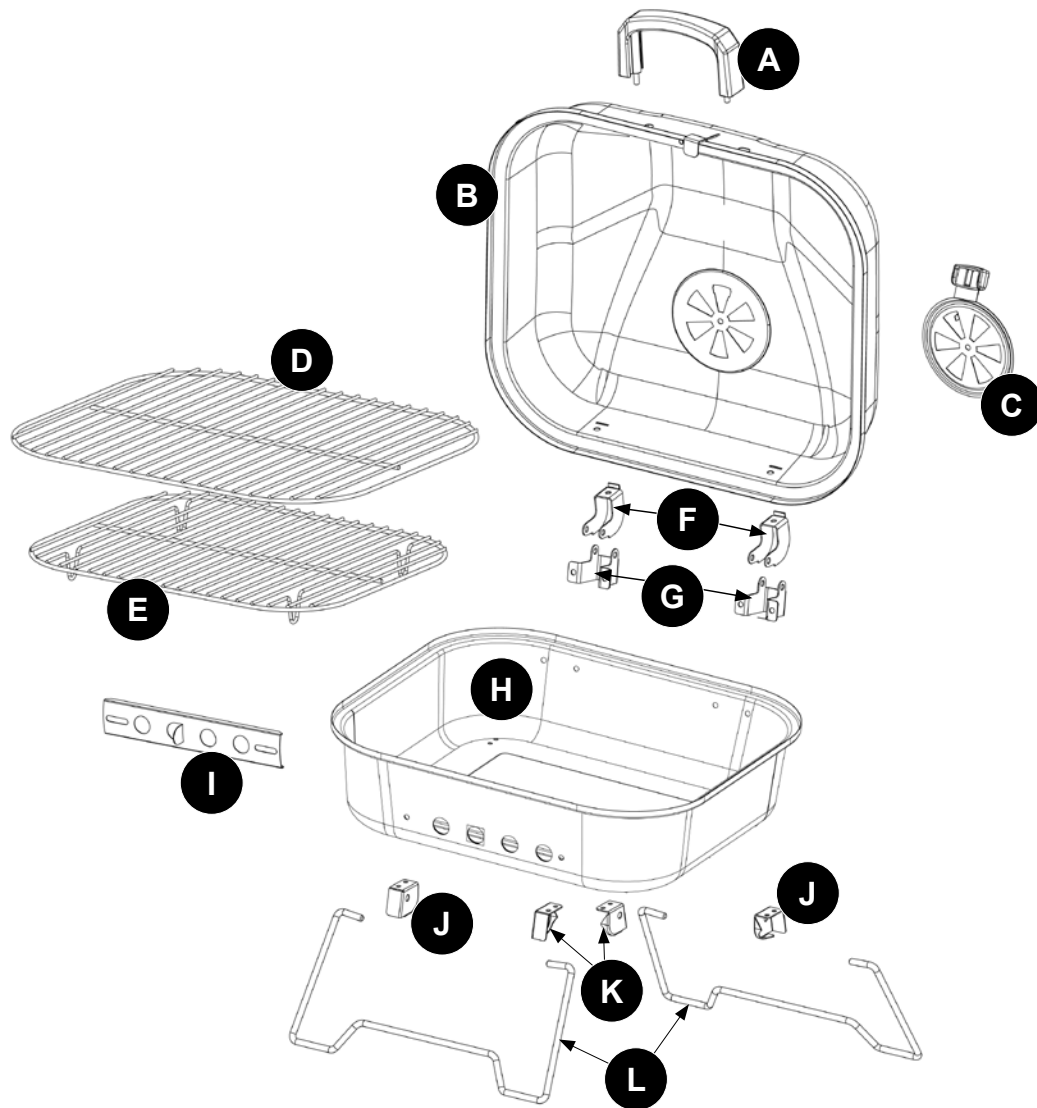


## **CONSIGNES DE SÉCURITÉ**

---

- Portez toujours des gants de protection pour ajouter du combustible (briquettes de charbon de bois, bois ou blocs de charbon de bois) afin de maintenir le niveau de chaleur souhaité.
- Gardez les cordons d'alimentation d'appareils électriques à distance du barbecue lorsqu'il est chaud.
- Utilisez toujours un thermomètre à viande pour vérifier si la nourriture est cuite à une température adéquate.
- Ne couvrez jamais la totalité de la surface de cuisson à l'aide de papier d'aluminium.
- Portez des gants protecteurs lorsque vous assemblez cet appareil.
- Afin d'éviter de vous blesser ou d'endommager le produit, ne forcez pas pour assembler les pièces.
- Le non-respect des consignes qui précèdent peut entraîner des dommages matériels, des blessures graves ou la mort.

## CONTENU DE L'EMBALLAGE

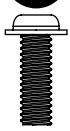


Pièce	Description	Quantité
A	Poignée	1
B	Couvercle	1
C	Évent d'aération du couvercle	1
D	Grille de cuisson	1
E	Grille à charbon	1
F	Charnières (parties supérieures)	2
G	Charnières (parties inférieures)	2
H	Cuve inférieure	1

Pièce	Description	Quantité
I	Évent d'aération de la cuve inférieure	1
J	Support de pied A	2
K	Support de pied B	2
L	Pied	2

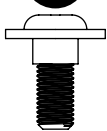
## QUINCAILLERIE (grandeur réelle)

AA



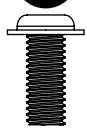
Petite vis  
M4 de  
12 mm  
Qté : 8

BB



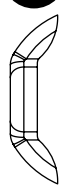
Petite vis  
M5 de  
12 mm  
Qté : 2

CC



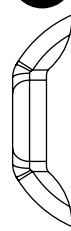
Grande vis  
M5 de  
12 mm  
Qté : 7

DD



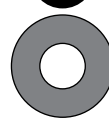
Écrou à  
oreilles M4  
Qté : 8

EE



Écrou à  
oreilles M5  
Qté : 11

FF



Rondelle  
de 6,4 mm  
résistant à la  
chaleur  
Qté : 2

GG



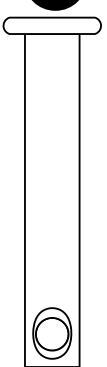
Rondelle de  
blocage de  
4,3 mm  
Qté : 8

HH



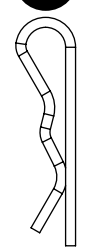
Rondelle de  
blocage de  
5,3 mm  
Qté : 6

II



Goupille de  
5 x 30 mm  
Qté : 2

JJ



Agrafe  
1,4 x 30 mm  
Qté : 2

## PRÉPARATION

Avant de commencer l'assemblage du produit, assurez-vous d'avoir toutes les pièces. Comparez les pièces dans l'emballage avec la liste et le tableau ci-dessus. S'il y a des pièces manquantes ou endommagées, ne tentez pas d'assembler le produit.

Pour un assemblage facile :

- Afin d'éviter de perdre les petites pièces ou la quincaillerie, assemblez votre produit sur une surface dure et plane dépourvue de fente ou d'ouverture.
- Dégagez une surface assez grande pour étaler toutes les pièces et les éléments de quincaillerie.
- S'il y a lieu, serrez d'abord tous les éléments de quincaillerie à la main. Une fois cette étape effectuée, repassez sur chacun pour finir de serrer toute la quincaillerie.
- Effectuez toutes les étapes dans le bon ordre afin d'assembler correctement votre produit.

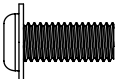
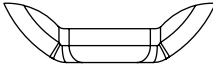
**Temps d'assemblage approximatif : 30 minutes.**

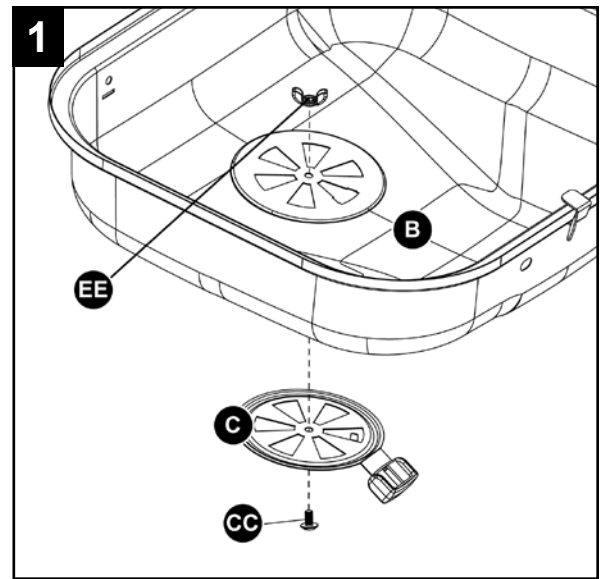
Outils nécessaires pour l'assemblage (non inclus) : tournevis à pointe cruciforme no 2.

## INSTRUCTIONS POUR L'ASSEMBLAGE

1. Fixez l'évent d'aération du couvercle (C) au couvercle (B) à l'aide d'une grande vis M5 de 12 mm (CC) et d'un écrou à oreilles M5 (EE).

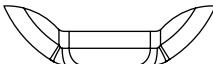
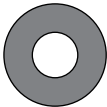
### Quincaillerie utilisée

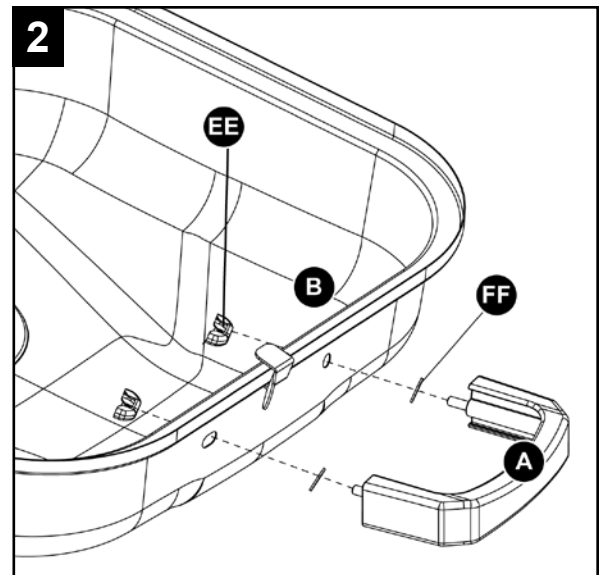
<b>CC</b>	Grande vis M5 de 12 mm		x 1
<b>EE</b>	Écrou à oreilles M5		x 1



2. Fixez la poignée (A) au couvercle (B) à l'aide de deux rondelles de 6,4 mm résistant à la chaleur (FF) et de deux écrous à oreilles M5 (EE).

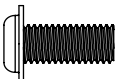
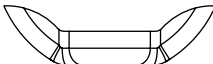

### Quincaillerie utilisée

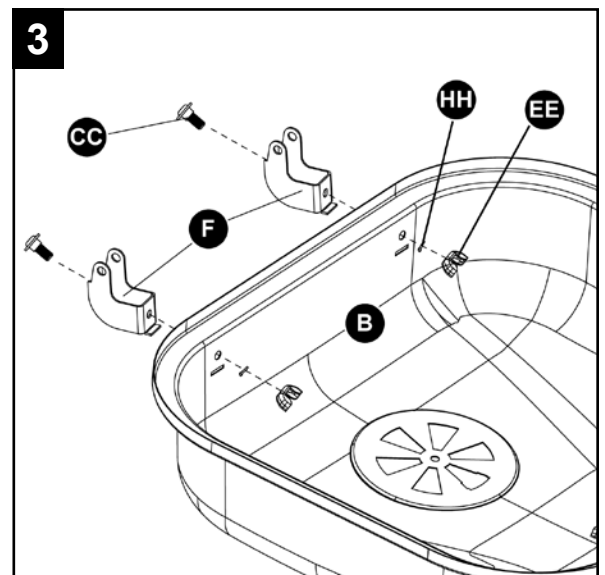
<b>EE</b>	Écrou à oreilles M5		x 2
<b>FF</b>	Rondelle de 6,4 mm résistant à la chaleur		x 2



3. Fixez les charnières (parties supérieures) (F) au couvercle (B) à l'aide de deux ensembles de grande vis M5 x 12 mm (CC), de rondelle de blocage 5,3 mm (HH) et d'écrou à oreilles M5 (EE).

### Quincaillerie utilisée

<b>CC</b>	Grande vis M5 de 12 mm		x 2
<b>EE</b>	Écrou à oreilles M5		x 2
<b>HH</b>	Rondelle de blocage de 5,3 mm		x 2

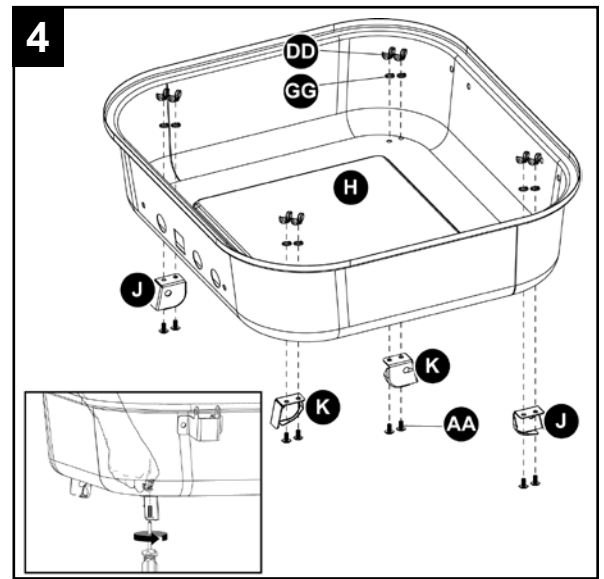


## INSTRUCTIONS POUR L'ASSEMBLAGE


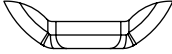

4. Fixez les supports de pieds A (J) à la cuve inférieure (H) à l'aide de deux ensembles de deux petites vis M4 de 12 mm (AA), de deux rondelles de blocage de 4,3 mm (GG) et de deux écrous à oreilles M4 (DD).

Fixez les supports de pieds B (J) à la cuve inférieure (H) à l'aide de deux ensembles de deux petites vis M4 de 12 mm (AA), de deux rondelles de blocage de 4,3 mm (GG) et de deux écrous à oreilles M4 (DD).

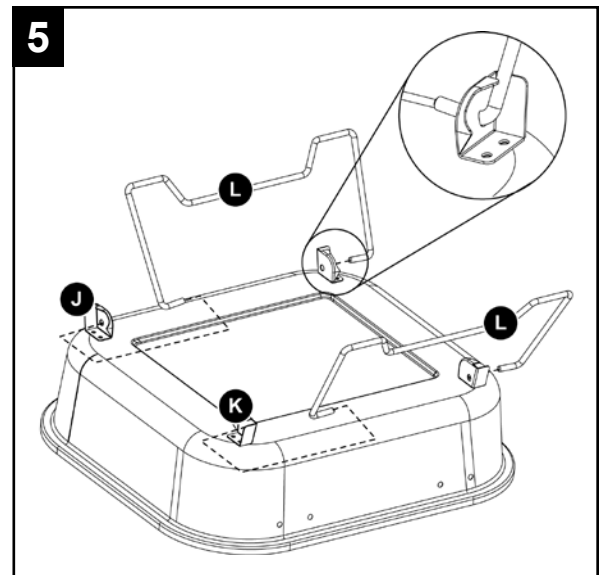
**Remarque :** Tout en maintenant en place la rondelle de blocage de 4,3 mm (GG) et l'écrou à oreilles M4 (DD), servez-vous du tournevis pour fixer la petite vis M4 de 12 mm (AA) à l'écrou à oreilles M4 (DD).



### Quincaillerie utilisée

<b>AA</b>	Petite vis M4 de 12 mm		x 8
<b>DD</b>	Écrou à oreilles M4		x 8
<b>GG</b>	Rondelle de blocage de 4,3 mm		x 8


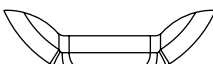

5. Fixez les pieds (L) aux supports de pieds (J et K).

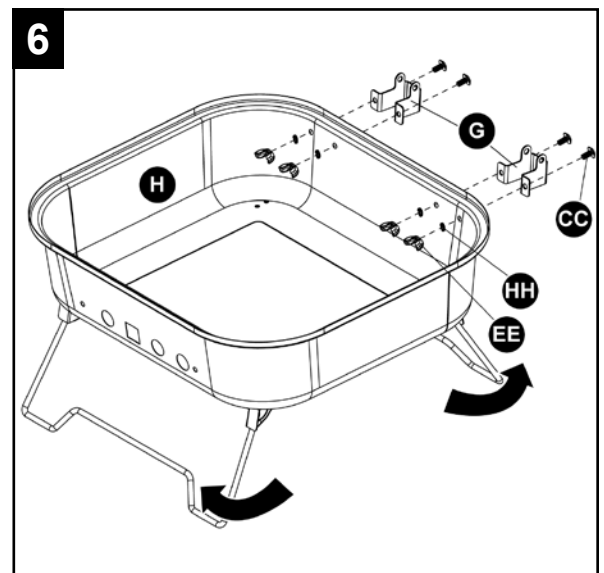


6. Tirez les pieds vers l'extérieur du barbecue jusqu'à ce qu'ils se fixent en place.

Fixez les charnières (parties inférieures) (G) à la cuve inférieure (H) à l'aide de deux ensembles de deux grandes vis M5 x 12 mm (CC), de deux rondelles de blocage de 5,3 mm (HH) et de deux écrous à oreilles M5 (EE).

### Quincaillerie utilisée

<b>CC</b>	Grande vis M5 de 12 mm		x 4
<b>EE</b>	Écrou à oreilles M5		x 4
<b>HH</b>	Rondelle de blocage de 5,3 mm		x 4

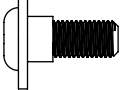
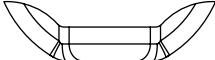


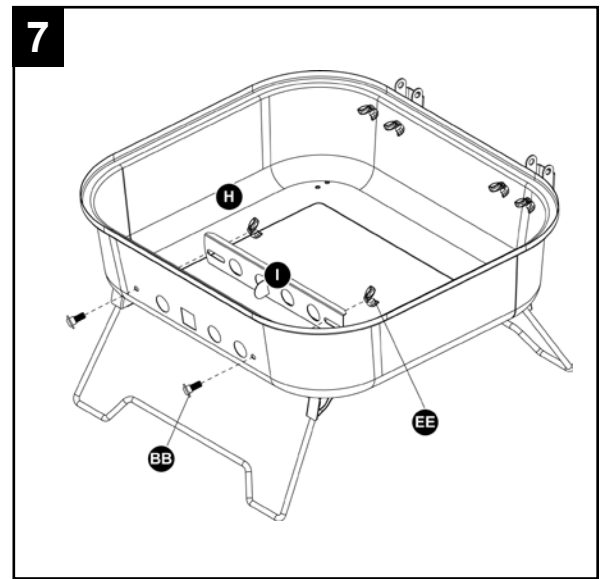


## INSTRUCTIONS POUR L'ASSEMBLAGE

7. Fixez l'évent d'aération de la cuve inférieure (I) à la cuve inférieure (H) à l'aide de deux petites vis M5 de 12 mm (BB) et de deux écrous à oreilles M5 (EE).

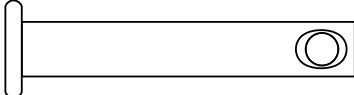
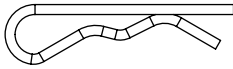
### Quincaillerie utilisée

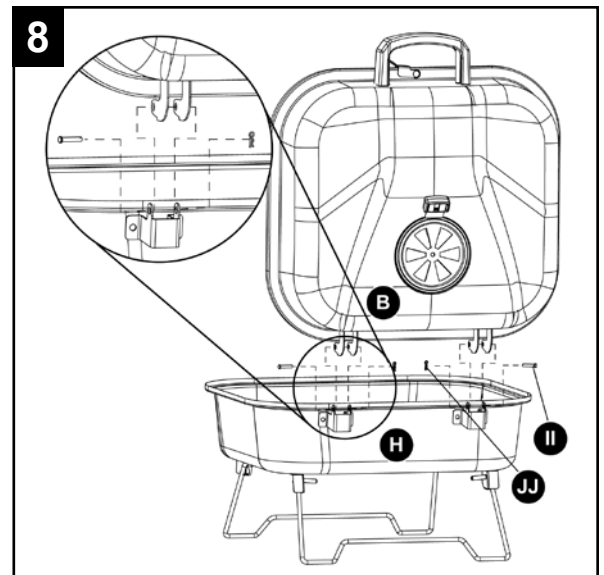
- |           |                        |   |     |
|-----------|------------------------|---|-----|
| <b>BB</b> | Petite vis M5 de 12 mm |  | x 2 |
| <b>EE</b> | Écrou à oreilles M5    |  | x 2 |



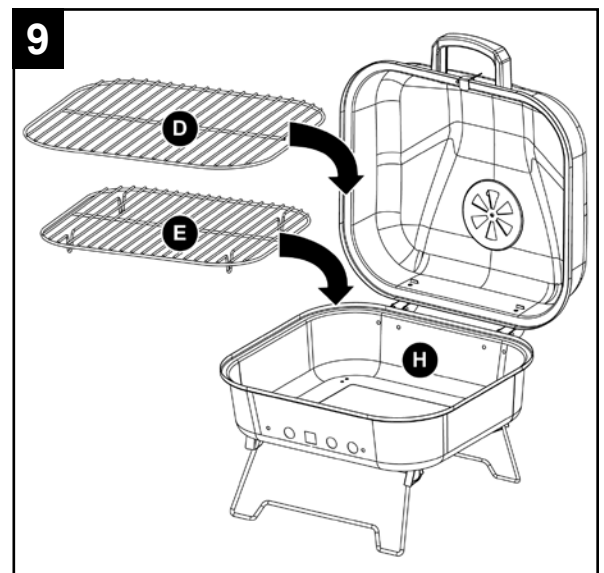
8. Fixez le couvercle (B) à la cuve inférieure (H) à l'aide de deux goupilles de 5 x 30 mm (II) et de deux agrafes de 1,4 x 30 mm (JJ).

### Quincaillerie utilisée

- |           |                        |   |     |
|-----------|------------------------|---|-----|
| <b>II</b> | Goupille de 5 x 30 mm  |   | x 2 |
| <b>JJ</b> | Agrafes de 1,4 x 30 mm |  | x 2 |



9. Insérez la grille à charbon (E) dans la cuve inférieure (H), puis insérez-y la grille de cuisson (D).



## MODE D'EMPLOI

### Pour verrouiller le barbecue :

Fermez le couvercle. Glissez le verrou vers l'avant jusqu'à ce que ses côtés recouvrent le couvercle et la cuve inférieure. Consultez la figure 1a.

### Pour déverrouiller le barbecue :

Glissez le verrou vers l'arrière jusqu'à ce qu'il se bloque ou que ses côtés se dégagent du couvercle et de la cuve inférieure. Consultez la figure 1b.

Fig. 1a

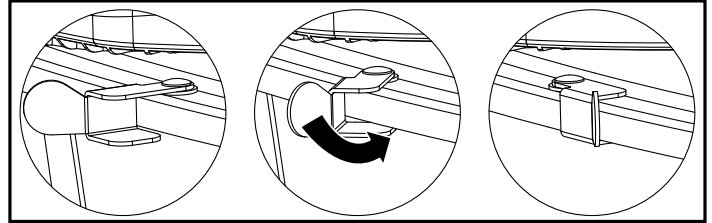
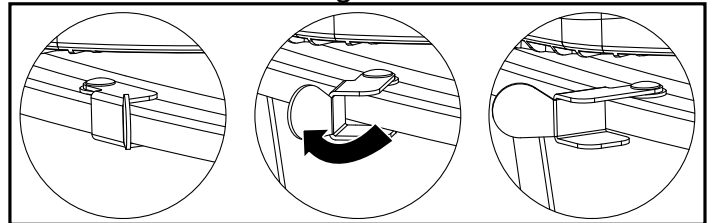


Fig. 1b

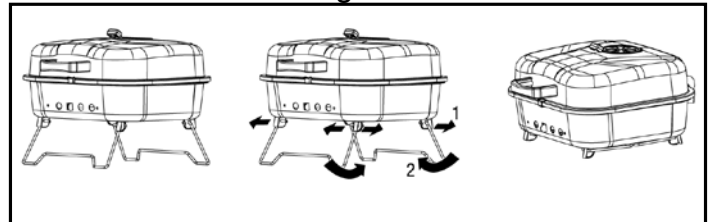


### Pour plier les pieds à des fins de rangement ou de transport :

#### MISE EN GARDE

- Enlevez tout combustible et laissez le barbecue refroidir avant de le transporter ou de le ranger.
- Verrouillez toujours le barbecue avant de plier ses pieds et de le transporter.

Fig. 2a

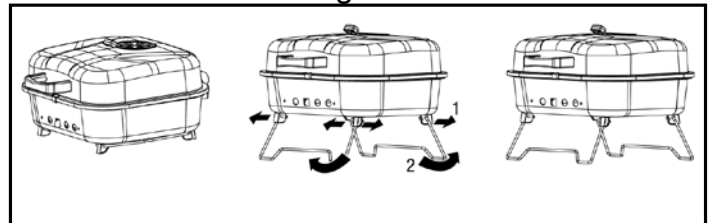


Tirez les pieds vers le centre du barbecue jusqu'à ce qu'ils se fixent en place. Consultez la figure 2a.

### Pour déplier les pieds du barbecue :

Tirez les pieds vers l'extérieur du barbecue jusqu'à ce qu'ils se fixent en place. Consultez la figure 2b.

Fig. 2b



## MODE D'EMPLOI

---

Cet appareil est conçu pour être alimenté de briquettes de charbon, de blocs de charbon de bois et de bois de cuisson de qualité.



### MISE EN GARDE

- N'utilisez jamais de charbon de bois ayant été prétraité avec de l'essence à briquet. Utilisez seulement du charbon de bois lisse de qualité supérieure, un mélange de charbon de bois et de bois, du charbon de bois en blocs ou du bois de cuisson.

### Première utilisation

1. Assurez-vous que toutes les étiquettes, tous les matériaux d'emballage et tous les films protecteurs ont été retirés du barbecue.
2. Avant d'utiliser ce barbecue pour la première fois, éliminez les résidus d'huile en le faisant fonctionner pendant au moins 15 minutes en maintenant le couvercle fermé. Vous nettoierez ainsi les pièces internes et dissiperez les odeurs.

### Éclairage



### MISE EN GARDE

- Retirez les débris ou les cendres obstruant les événements d'aération avant l'utilisation du barbecue.
  - Assurez-vous que le bac à cendres est vide et solidement fixé avant d'utiliser le barbecue.
1. Ouvrez le couvercle et les événements.
  2. Assurez-vous que le bac à cendres est vide et bien fixé.
  3. Retirez la grille de cuisson.
  4. Disposez les briquettes de charbon ou autre combustible sur la grille à charbon.
  5. Allumez les charbons selon les instructions inscrites sur leur emballage.
  6. Attendez que les charbons soient incandescents avant de commencer la cuisson.



### MISE EN GARDE

- Lorsque vous utilisez un liquide allume-feu, vérifiez toujours le bac à cendres avant d'allumer. Du liquide pourrait s'y amasser et s'enflammer, ce qui pourrait mettre le feu sous la cuve.
- N'ajoutez jamais d'essence à briquet sur des briquettes de charbon chaudes ou même tièdes, car cela risquerait de provoquer un retour de flamme et d'entraîner des blessures graves ou des dommages matériels.

### Cuisson directe

La cuisson directe au-dessus des charbons chauds est idéale pour griller les viandes dans leur jus et pour griller les aliments qui nécessitent moins de 25 minutes de cuisson, par exemple les steaks, le bifteck haché, les saucisses à hot-dog, les morceaux de poulet, les légumes et les fruits.

1. Ouvrez le couvercle et retirez la grille de cuisson.
2. Disposez et allumez les charbons en vous reportant à la section « Allumage ». Laissez le couvercle ouvert.
3. À l'aide de gants protecteurs et d'un outil à longue poignée, étendez uniformément les charbons ardents sur la grille.
4. À l'aide de gants protecteurs, replacez la grille de cuisson, puis fermez le couvercle et laissez le barbecue se réchauffer.

## MODE D'EMPLOI

---

5. À l'aide de gants protecteurs, ouvrez le couvercle et placez les aliments sur les grilles de cuisson au-dessus des charbons chauds avec des pinces à poignée longue.
6. Refermez le couvercle ou laissez-le ouvert, et faites griller les aliments jusqu'à la cuisson désirée.  
**Remarque** : Si vous devez ajouter des briquettes, retirez les aliments de la grille de cuisson, puis, à l'aide de gants protecteurs, retirez la grille de cuisson et ajoutez des briquettes sans déplacer les charbons ardents. Replacez soigneusement la grille de cuisson et les aliments.
7. Fermez le couvercle et les événements pour laisser les charbons s'éteindre. Sauf en cas d'urgence, ne versez PAS d'eau sur les charbons chauds.

### Cuisson indirecte

La cuisson indirecte permet d'éviter de cuire les aliments directement au-dessus des charbons chauds. Elle est idéale pour cuire lentement ou griller les aliments qui nécessitent plus de 25 minutes de cuisson, par exemple la plupart des rôtis, les filets, les côtelettes, les poulets entiers, les dindes, les poissons et les aliments cuits au four.

1. Ouvrez le couvercle et retirez la grille de cuisson.
2. Disposez et allumez les charbons en vous reportant à la section « Allumage ». Laissez le couvercle ouvert.
3. À l'aide de gants protecteurs et d'un outil à poignée longue, étendez délicatement les charbons autour de la grille.
4. À l'aide de gants protecteurs, replacez la grille de cuisson, puis fermez le couvercle et laissez le barbecue se réchauffer.
5. Portez des gants protecteurs pour ouvrir le couvercle. Utilisez un outil à longue poignée pour placer les aliments sur la grille de cuisson, en évitant de les placer directement au-dessus des charbons chauds.
6. Refermez le couvercle et faites griller les aliments jusqu'à la cuisson désirée.  
**Remarque** : Si vous devez ajouter des briquettes, retirez les aliments de la grille de cuisson, puis, à l'aide de gants protecteurs, retirez la grille de cuisson et ajoutez des briquettes sans déplacer les charbons ardents. Replacez soigneusement la grille de cuisson et les aliments.
7. Fermez le couvercle et les événements pour laisser les charbons s'éteindre. Sauf en cas d'urgence, ne versez PAS d'eau sur les charbons chauds.

Pour d'autres conseils relatifs à la cuisson indirecte, reportez-vous à la section « Conseils pour obtenir de meilleures cuissons et prolonger la durée de vie de votre barbecue ».

### Contrôle des flambées



#### AVERTISSEMENTS

- Ne versez pas d'eau sur un feu de graisse. Cela pourrait faire éclabousser la graisse et causer des brûlures graves, des lésions corporelles et d'autres dommages.
- Pendant la cuisson, du matériel d'extinction d'incendie doit être facilement accessible. Si un feu d'huile ou de graisse se déclare, ne tentez pas de l'éteindre avec de l'eau. Utilisez un extincteur d'incendie chimique de type poudres BC, ou étouffez le feu avec de la poussière, du sable ou du bicarbonate de soude.

### MISE EN GARDE

- Ne laissez pas le barbecue sans surveillance lors du préchauffage ou lorsque vous faites brûler les résidus. Si le barbecue n'a pas été nettoyé, un feu de graisse peut se déclarer et pourrait endommager le produit.

## MODE D'EMPLOI

---

- Les flambées font partie de la cuisson des viandes sur le barbecue et contribuent à la saveur unique de la grillade.
- Par contre, les flambées excessives peuvent gâcher la cuisson de vos aliments et représenter une situation dangereuse pour vous et votre barbecue.
- Les flambées excessives résultent de l'accumulation de graisse dans le fond de votre barbecue.
- Si une flambée excessive se déclare, ne versez PAS d'eau sur les flammes.
- Si un feu de graisse se déclare, fermez le couvercle jusqu'à ce que la graisse soit entièrement consommée. Faites preuve de prudence en ouvrant le couvercle, car une flambée soudaine pourrait survenir.

### Réduction des flambées

1. Éliminez l'excédent de gras des viandes avant de les faire cuire.
2. Faites cuire les viandes à teneur élevée en matière grasse de façon indirecte.
3. Assurez-vous que votre barbecue est sur une surface dure, plane et non combustible.

### Conseils pour obtenir une meilleure cuisson et prolonger la durée de vie de votre barbecue

1. Afin de réduire les flambées, nettoyez régulièrement les grilles, optez pour des viandes maigres (ou dégraissez les viandes avant de les faire cuire) et évitez de cuire les aliments à des températures très élevées.
2. Emballez les aliments délicats, par exemple le poisson et les légumes, dans du papier d'aluminium et cuisez-les indirectement ou sur la grille de maintien au chaud.
3. Pour éviter de perdre les jus, retournez les aliments une seule fois pendant la cuisson en vous servant de pinces ou d'une spatule à long manche au lieu d'une fourchette.
4. Pour la cuisson indirecte de rôtis et de gros morceaux de viande, placez la viande sur une grille à rôtir, dans un plat en métal épais.
5. Utilisez un plat d'eau pour réduire les montées de flammes et obtenir des viandes plus juteuses. Avant d'allumer les charbons, retirez la grille de cuisson et placez un bac peu profond et robuste directement sur la grille à charbon. Remplissez-le à moitié d'eau, de jus de fruits ou de tout autre liquide aromatisé. En suivant les instructions de la section « Allumage », placez les charbons autour de la grille, replacez la grille de cuisson et placez les aliments au-dessus du bac.
6. Rehaussez la saveur des aliments à l'aide d'enfumeurs ou de sachets de papier d'aluminium contenant des copeaux de bois. Suivez les instructions du fabricant de copeaux.
7. Les tournebroches, les paniers à barbecue, les supports à volaille et autres accessoires peuvent améliorer et accélérer la cuisson, en plus de faciliter le nettoyage.
8. Après chaque utilisation, nettoyez les grilles à l'aide d'une brosse de qualité conçue pour le matériau dont elles sont composées. Enfilez des gants protecteurs et nettoyez les résidus pendant que les grilles sont encore chaudes.
9. Laissez le barbecue refroidir complètement après chaque utilisation. Après avoir nettoyé les grilles, enduisez-les d'un peu d'huile à friture et retirez les cendres, puis nettoyez la surface extérieure à l'aide d'un produit nettoyant pour la cuisine et recouvrez le barbecue d'une housse de qualité aux dimensions appropriées.
10. Regardez des émissions de télévision ou achetez des livres sur la cuisson au barbecue afin d'apprendre des astuces utiles et intéressantes.



### **MISE EN GARDE**

- Ne nettoyez AUCUNE pièce du barbecue dans un four autonettoyant. La chaleur extrême endommagera le fini.

### **ATTENTION**

- Enlevez tout combustible et laissez le barbecue refroidir (environ 45 minutes) avant de procéder à son nettoyage ou à son entretien.

### **AVIS**

Les produits nettoyants abrasifs endommageront le barbecue.  
Ne nettoyez jamais le barbecue avec des produits nettoyants pour le four.

### **Nettoyage des surfaces**

1. Nettoyez les surfaces à l'aide de savon à vaisselle liquide doux ou de bicarbonate de soude.
2. Pour les taches tenaces, utilisez un dégraissant à base d'agrumes et une brosse en nylon.
3. Rincez à l'eau.

### **Conseils**

1. Couvrez le barbecue lorsque vous ne l'utilisez pas afin d'aider à prévenir la rouille.
2. L'application d'une légère couche d'huile végétale ou d'un jet d'huile végétale sur les surfaces intérieures du barbecue peut aider à prévenir la rouille. N'en appliquez PAS sur la grille à charbon, ni sur le bac à cendres.

## **GARANTIE LIMITÉE**

---

Le fournisseur garantit ce produit et l'ensemble de ses pièces contre les défauts de matériaux et de fabrication pour une période de un (1) an à compter de la date d'achat, à condition qu'il soit assemblé et utilisé conformément aux instructions fournies avec le produit. Cette garantie ne s'applique qu'à l'acheteur initial. Il est possible que le fournisseur exige une preuve raisonnable de la date d'achat du produit; veuillez donc conserver votre reçu ou votre facture. La présente garantie limitée ne couvre que les réparations ou le remplacement des pièces ayant été soumises à des conditions normales d'utilisation et de service, et que le fournisseur juge défectueuses après les avoir examinées. Avant de retourner une pièce, communiquez avec le service à la clientèle du fournisseur aux coordonnées indiquées ci-dessous. Si, après examen, le fournisseur juge le produit défectueux et approuve la réclamation, il remplacera la pièce défectueuse sans frais. Vous devrez vous acquitter du paiement préalable des frais d'expédition des pièces défectueuses. Le fournisseur fera parvenir des pièces de rechange à l'acheteur initial, fret ou port payé.

Cette garantie limitée ne couvre pas les défauts causés par un accident, un usage abusif ou inapproprié, une modification, une installation ou un entretien inadéquat, une réparation effectuée par vous ou une tierce partie, ou le non-respect des instructions du présent guide d'utilisation quant à l'entretien régulier. La garantie limitée ne couvre pas non plus les dommages causés au fini après l'achat, par exemple les égratignures, les bosses, la décoloration, la rouille ou tout autre dommage causé par les intempéries.

La présente garantie limitée prévaut sur toute autre garantie expresse. Le fournisseur décline toute responsabilité quant aux produits achetés de vendeurs autres que les détaillants et distributeurs autorisés, y compris la garantie de qualité marchande et la garantie d'aptitude à un usage particulier. **LE FOURNISSEUR DÉCLINE ÉGALEMENT TOUTE GARANTIE IMPLICITE, Y COMPRIS, SANS S'Y LIMITER, LES GARANTIES IMPLICITES DE QUALITÉ MARCHANDE ET D'APTITUDE À UN USAGE PARTICULIER. LE FOURNISSEUR DÉCLINE TOUTE RESPONSABILITÉ ENVERS L'ACHETEUR ET TOUT TIERS QUANT AUX DOMMAGES PARTICULIERS, INDIRECTS, PUNITIFS, ACCESSOIRES OU CONSÉCUTIFS.** Le fournisseur décline également toute garantie implicite ou explicite et toute responsabilité relativement aux défauts de fabrication causés par un tiers.

Cette garantie limitée confère à l'acheteur des droits précis. Il est possible que l'acheteur dispose également d'autres droits, qui varient selon l'endroit où il habite. Certaines législations ne permettent pas l'exclusion ou la limitation des dommages particuliers, accessoires ou consécutifs ou les limitations quant à la durée d'une garantie, de sorte que les exclusions et les limitations ci-dessus peuvent ne pas s'appliquer dans tous les cas.

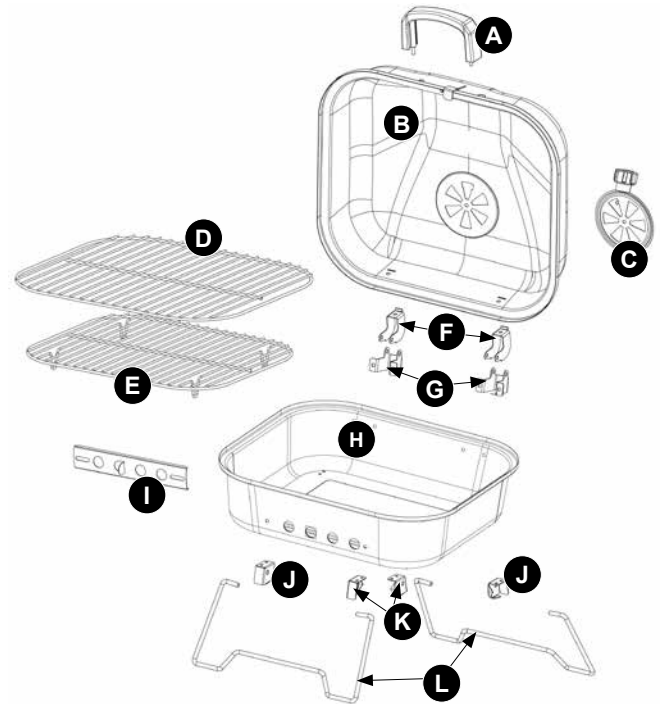
Le fournisseur n'autorise aucune personne ou entreprise à accepter en son nom toute autre obligation ou responsabilité en lien avec la vente, l'installation, l'utilisation, le retrait, le retour ou le remplacement de l'équipement, et aucun représentant ne peut lier le fournisseur à une obligation.

Pour effectuer une réclamation au titre de la garantie, appelez au 1 800 963-0211, entre 8 h et 18 h, du lundi au jeudi, ou entre 8 h et 17 h (HNE) le vendredi.

## LISTE DES PIÈCES DE RECHANGE

Pour obtenir des pièces de rechange, veuillez communiquer avec notre service à la clientèle au 1 800 963-0211, entre 8 h et 18 h, du lundi au jeudi, ou entre 8 h et 17 h (HNE) le vendredi.

Pièce	Description	N° de pièce
A	Poignée	55-09-098
B	Couvercle	55-22-000
C	Évent d'aération du couvercle	55-08-367
D	Grille de cuisson	55-09-095
E	Grille à charbon	55-09-094
F	Charnières (parties supérieures)	55-15-330
G	Charnières (parties inférieures)	55-15-329
H	Cuve inférieure	55-22-001
I	Évent d'aération de la cuve inférieure	55-09-535
J	Support de pied A	55-22-303
K	Support de pied B	55-22-304
L	Pied	55-22-002



Imprimé en Chine

Master Forge et le motif M Design® sont des marques de commerce déposées de LF, LLC. Tous droits réservés.



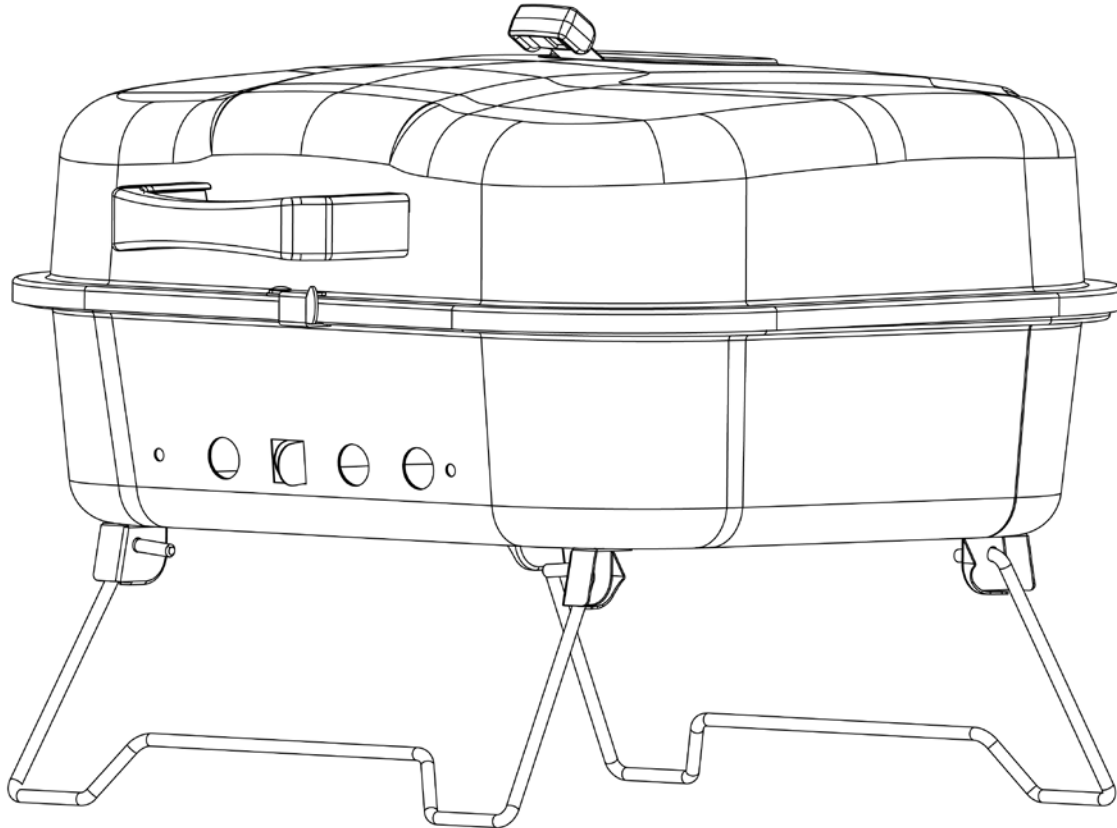


ARTÍCULO #0131702

# PARRILLA A CARBÓN PARA EXTERIORES

MODELO #CBT1227L

Master Forge and M Design® es una marca registrada de LF, LLC. Todos los derechos reservados.



Conserve estas instrucciones para futuras consultas. Si está montando esta unidad para otra persona, entréguele este manual para referencia futura.

### ADJUNTE SU RECIBO AQUÍ

Número de serie \_\_\_\_\_ Fecha de compra \_\_\_\_\_



**¿Preguntas, problemas, piezas faltantes?** Antes de volver a la tienda, llame a nuestro Departamento de Servicio al Cliente al 1-800-963-0211, de lunes a jueves de 8 a.m. a 6 p.m. y los viernes de 8 a.m. a 5 p.m., hora estándar del Este.

Información de seguridad.....	35
Contenido del paquete .....	37
Aditamentos.....	38
Preparación .....	38
Instrucciones de ensamblaje .....	39
Instrucciones de funcionamiento .....	43
Primer uso.....	43
Encendido .....	43
Cocción .....	43
Control de las llamadas .....	44
Consejos .....	45
Cuidado y mantenimiento.....	46
Garantía.....	47
Lista de piezas de repuesto.....	48



## ADVERTENCIA

Sólo para uso en exteriores (fuera de cualquier espacio cerrado)



## ADVERTENCIA

1. La instalación, el ajuste, la alteración, la reparación o el mantenimiento inadecuado pueden ocasionar lesiones o daños a la propiedad.
2. Lea con detenimiento las instrucciones de instalación, operación y mantenimiento antes de instalar o reparar este equipo.
3. Si no sigue estas instrucciones, podría provocar un incendio o una explosión que ocasionen daños a la propiedad, lesiones personales o la muerte.
4. Este manual de instrucciones contiene información importante necesaria para el ensamblaje correcto y el uso seguro del artefacto.
5. Lea y siga todas las advertencias e instrucciones antes de ensamblar y utilizar este artefacto.
6. Siga todas las advertencias e instrucciones al utilizar este artefacto.
7. Guarde este manual para referencia futura.



## PELIGRO

Nunca deje este artefacto sin supervisión.



## ADVERTENCIA

No almacene ni utilice gasolina ni otros líquidos o vapores inflamables cerca de este ni de ningún otro artefacto.

## **INFORMACIÓN DE SEGURIDAD**

---

Lea y comprenda completamente este manual antes de intentar ensamblar, usar o instalar el producto. Si tiene preguntas relacionadas con el producto, llame al Departamento de Servicio al Cliente al 1-800-963-0211, de lunes a jueves de 8 a.m. a 6 p.m. y los viernes de 8 a.m. a 5 p.m., hora estándar del Este.

### **ADVERTENCIAS Y PRECAUCIONES**

- Esta parrilla es sólo para uso en exteriores y no se debe usar en edificios, garajes u otras áreas cerradas.
- Sólo para uso residencial. Esta parrilla NO es para el uso comercial.
- No utilice carbón que se haya pretratado con líquido para encendedor. Use sólo carbón puro, mezcla de carbón y madera, carbón en trozos o madera para leña de alta calidad. La conversión o el uso de otra fuente de combustible en esta parrilla a carbón es peligroso y anulará la garantía.
- Esta parrilla no está diseñada para usarse como calentador y nunca debe utilizarse como tal. Los gases TÓXICOS pueden acumularse y causar asfixia.
- No utilice la parrilla para la cocción en interiores. Las emanaciones tóxicas de monóxido de carbono pueden acumularse y causar asfixia.
- Esta parrilla está certificada para utilizarse con seguridad en los EE.UU. y Canadá solamente. No la modifique para usarla en otro lugar. Una modificación tendrá como resultado un riesgo para la seguridad y anulará la garantía.
- NO opere, encienda ni use este artefacto a menos de 3,05 m (10 pies) de distancia de paredes, estructuras o edificios.
- Para quienes viven en departamentos: Consulte con el administrador acerca de los requisitos y códigos de incendio para usar una parrilla a carbón en su complejo de departamentos. Utilícela en el exterior, en la planta baja, a una distancia de 3,05 m (10 pies) de cualquier estructura, en caso de estar permitido. No la utilice sobre o bajo balcones.
- Debe haber un espacio de separación mínimo de 91,40 cm (36 pulgadas) entre construcciones de material combustible y los lados y la parte posterior de la unidad. No utilice este artefacto debajo de ningún tipo de alero o techo.
- No use gasolina, queroseno o alcohol para encender la parrilla.
- No utilice la unidad en un entorno explosivo. No debe haber materiales combustibles, gasolina ni otros vapores o líquidos inflamables cerca de la parrilla.
- NO almacene ni utilice gasolina ni otros vapores o líquidos inflamables a menos de 7,62 m (25 pies) de distancia de este artefacto.
- No altere la parrilla de ninguna manera. Cualquier alteración anulará la garantía.
- No use la parrilla a menos que esté COMPLETAMENTE ensamblada y todas las piezas estén ajustadas y apretadas con firmeza.
- Esta parrilla se debe limpiar e inspeccionar minuciosamente en forma periódica.
- Use sólo piezas autorizadas por el fabricante. El uso de piezas que no estén autorizadas por la fábrica puede ser peligroso y anulará la garantía.
- No use este artefacto sin antes leer las “Instrucciones de funcionamiento” en este manual.
- Para evitar quemaduras, no toque las piezas metálicas de la parrilla hasta que se hayan enfriado completamente (espere unos 45 minutos), a menos que utilice elementos de protección (almohadillas, guantes, manoplas para horno, etc.).
- Nunca toque las rejillas (de cocción o para el carbón), las cenizas ni el carbón para comprobar si están calientes.
- No use la parrilla sobre plataformas o muebles de madera u otra superficie combustible.
- No la utilice en botes ni en vehículos recreativos.
- Coloque la parrilla de manera tal que el viento no pueda soplar las cenizas hacia superficies combustibles.

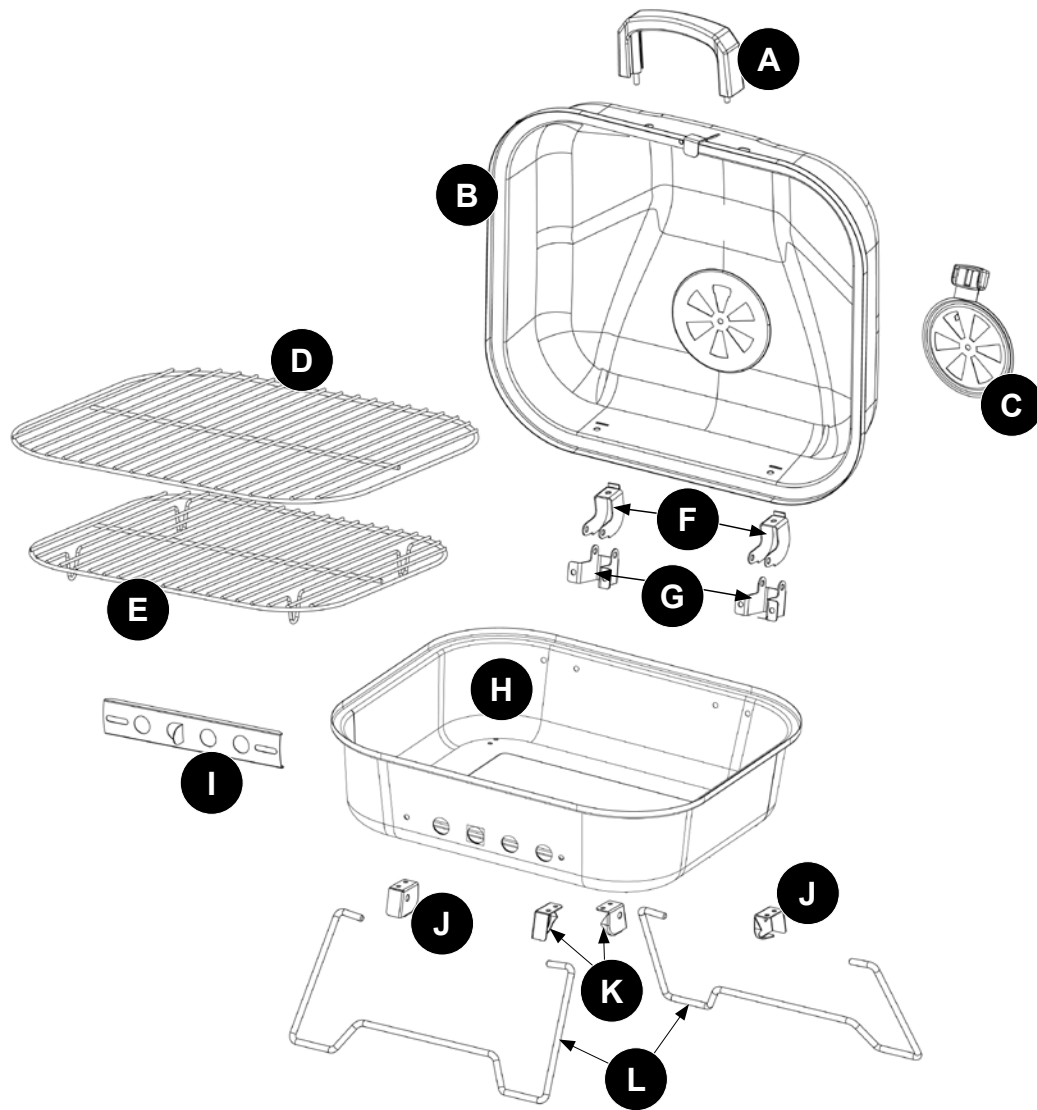


## INFORMACIÓN DE SEGURIDAD

---

- No use el artefacto si hay viento fuerte.
- Nunca se incline sobre la parrilla al encenderla.
- No deje la parrilla encendida sin supervisión. Mantenga a los niños y las mascotas alejados de la parrilla en todo momento.
- No intente mover la parrilla mientras la está usando. Deje que la parrilla se enfríe (espere unos 45 minutos) antes de moverla o almacenarla.
- Cuando cocine, tenga a la mano materiales para la extinción del fuego. En caso de que se produzca un incendio por el aceite o la grasa, no intente apagarlo con agua. Use un extintor de incendios a base de polvo químico seco tipo BC o extíngalo con tierra, arena o bicarbonato.
- Siempre abra la tapa de la parrilla lentamente y con cuidado, ya que el calor y el vapor atrapados dentro de ella pueden causar quemaduras graves.
- No deje la parrilla sin supervisión mientras la precalienta o quema residuos de alimentos a fuego alto. Si la parrilla no se ha limpiado, podría ocurrir un incendio provocado por la grasa que puede dañar el producto.
- No coloque recipientes de cocción vacíos sobre el artefacto mientras está en funcionamiento.
- Tenga cuidado al colocar objetos sobre la parrilla mientras está en funcionamiento.
- Nunca agregue líquido para encendedor a las cenizas calientes o, incluso, tibias puesto que se pueden producir retrocesos de las llamas y ocasionar lesiones graves o daño a la propiedad.
- Siempre coloque la parrilla sobre una superficie sólida, nivelada y no combustible. Una superficie de asfalto puede no ser apta para este propósito.
- No retire las cenizas hasta que se hayan apagado total y completamente.
- Las briquetas y las cenizas encendidas y calientes pueden crear un riesgo de incendio.
- Siempre vacíe el colector de cenizas y la parrilla después de cada uso.
- No coloque combustibles (briquetas de carbón, madera o carbón en trozos) directamente en el fondo de la parrilla. Coloque combustible sólo en la bandeja/rejilla para carbón.
- No permita que el carbón permanezca en las paredes de la parrilla. Hacerlo reducirá enormemente la vida útil del metal y acabado de su parrilla.
- Asegúrese de que no haya desechos ni cenizas en el orificio de ventilación antes del uso de la parrilla.
- Asegúrese de que el colector de cenizas esté seguro y completamente en su lugar antes de usar la parrilla.
- El carbón y las cenizas apagadas se deben colocar a una distancia segura de todas las estructuras y los materiales combustibles.
- Con una manguera para jardín, moje completamente la superficie debajo y alrededor de la parrilla para extinguir cualquier ceniza, carbón o brasa que pueda haber caído durante el proceso de cocción o de limpieza.
- Siempre use guantes de protección cuando agregue combustible (briquetas de carbón, madera o carbón en trozos) para mantener el nivel de calor deseado.
- Mantenga todos los cables eléctricos lejos de la parrilla caliente.
- Siempre use un termómetro para carne para asegurarse de que los alimentos se estén cocinando a una temperatura segura.
- Nunca cubra completamente el área de cocción con papel de aluminio.
- Use guantes de protección cuando ensamble este producto.
- No una las piezas a la fuerza ya que podría provocar heridas personales o daños al producto.
- Si no sigue la instrucción anterior al pie de la letra, podría ocasionar lesiones graves, muerte o daños materiales.
- No deje la parrilla encendida sin supervisión. Mantenga a los niños y las mascotas alejados de la parrilla en todo momento.

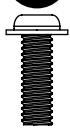
## CONTENIDO DEL PAQUETE



Pieza	Descripción	Cantidad
A	Manija	1
B	Tapa	1
C	Ventilador de la tapa	1
D	Rejilla de cocción	1
E	Rejilla para el carbón	1
F	Bisagras superiores	2
G	Bisagras inferiores	2
H	Cuenco inferior	1
I	Ventilador del cuenco inferior	1
J	Soporte de la pata A	2
K	Soporte de la pata B	2
L	Pata	2

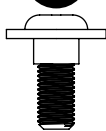
## ADITAMENTOS (se muestran en tamaño real)

AA



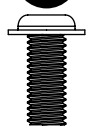
Tornillo  
M4 x 12 mm  
pequeño  
Cant. 8

BB



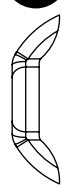
Tornillo  
M5 x 12 mm  
pequeño  
Cant. 2

CC



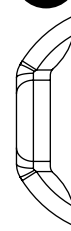
Tornillo  
M5 x 12 mm  
grande  
Cant. 7

DD



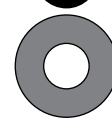
Tuerca  
mariposa M4  
Cant. 8

EE



Tuerca  
mariposa M5  
Cant. 11

FF



Arandela  
resistente al  
calor de  
6,4 mm  
Cant. 2

GG



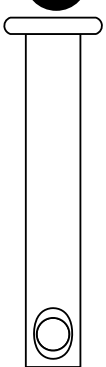
Arandela de  
seguridad de  
4,3 mm  
Cant. 8

HH



Arandela de  
seguridad de  
5,3 mm  
Cant. 6

II



Pasador de  
5 x 30 mm  
Cant. 2

JJ



Pasador de  
chaveta de  
1,4 x 30 mm  
Cant. 2

## PREPARACIÓN

Antes de comenzar el ensamblaje del producto, asegúrese de tener todas las piezas. Compare las piezas con la lista del contenido del paquete y el diagrama. No intente ensamblar el producto si falta alguna pieza o si éstas están dañadas.

Para un ensamblaje más fácil:

- Para evitar perder algún componente o aditamento pequeño, ensamble su producto en una superficie dura y nivelada que no tenga grietas o aberturas.
- Limpie un área del tamaño adecuado para disponer todos los componentes y aditamentos.
- Si corresponde, primero apriete a mano todas las conexiones de los aditamentos. Cuando haya completado este paso, vuelva al principio y apriete todos los aditamentos firme y completamente.
- Siga todos los pasos para ensamblar adecuadamente su producto.

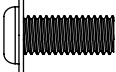

**Tiempo aproximado de ensamblaje: 30 minutos**

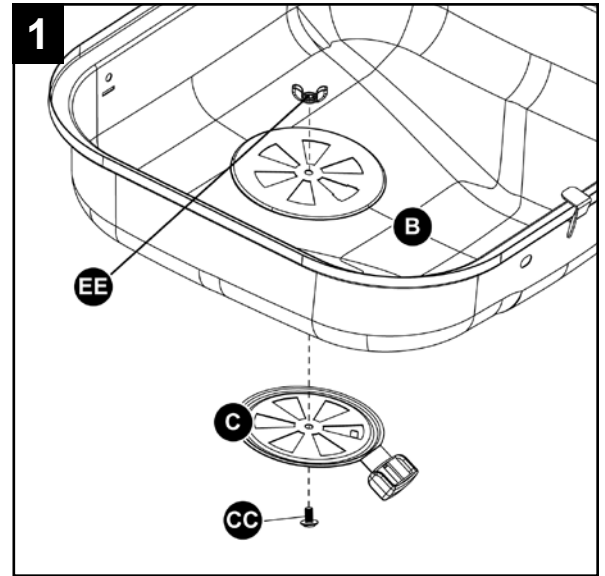
Herramientas necesarias para el ensamblaje (non incluidas): Destornillador Phillips No. 2

# INSTRUCCIONES DE ENSAMBLAJE

1. Fije el ventilador de la tapa (C) a la tapa (B) con un tornillo M5 x 12 mm grande (CC) y una tuerca mariposa M5 (EE).



## Aditamentos utilizados

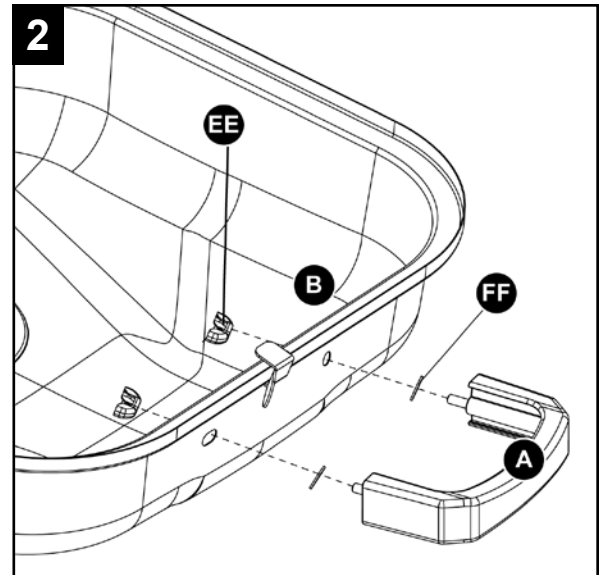
<b>CC</b>	Tornillo M5 x 12 mm grande		x 1
<b>EE</b>	Tuerca mariposa M5		x 1



2. Fije la manija (A) a la tapa (B) con dos arandelas resistentes al calor de 6,4 mm (FF) y dos tuercas mariposa M5 (EE).

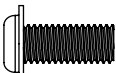
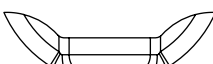

## Aditamentos utilizados

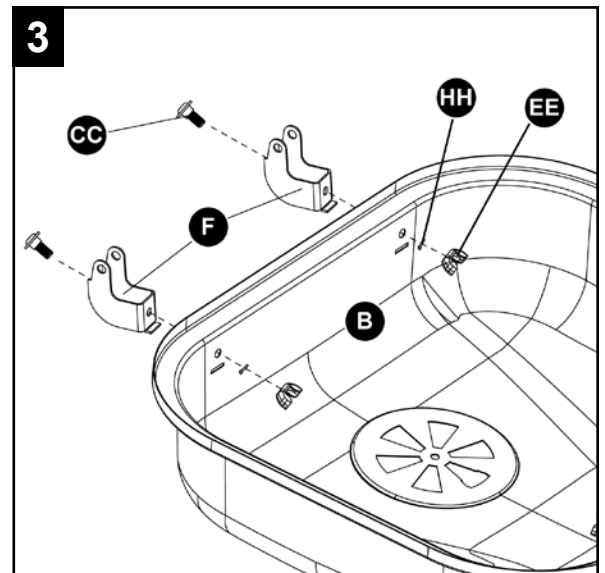
<b>EE</b>	Tuerca mariposa M5		x 2
<b>FF</b>	Arandela resistente al calor de 6,4 mm		x 2



3. Fije las bisagras superiores (F) a la tapa (B) con dos juegos de tornillos M5 x 12 mm grandes (CC), arandelas de seguridad de 5,3 mm (HH) y tuercas mariposa M5 (EE).

## Aditamentos utilizados

<b>CC</b>	Tornillo M5 x 12 mm grande		x 2
<b>EE</b>	Tuerca mariposa M5		x 2
<b>HH</b>	Arandela de seguridad de 5,3 mm		x 2

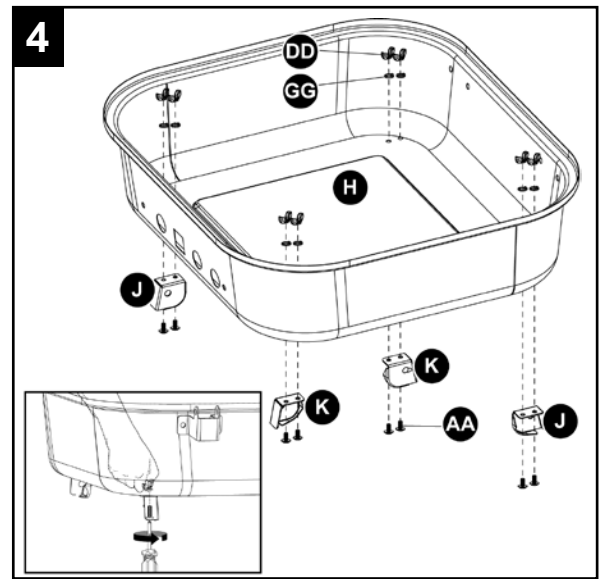


## INSTRUCCIONES DE ENSAMBLAJE


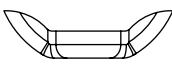

4. Fije los soportes de las patas A (G) al cuenco inferior (H) con dos juegos de dos tornillos M4 x 12 mm pequeños (AA), dos arandelas de seguridad M5 (EE) y dos tuercas mariposa M4 (DD).

Fije los soportes de las patas B (G) al cuenco inferior (H) con dos juegos de dos tornillos M4 x 12 mm pequeños (AA), dos arandelas de seguridad M5 (EE) y dos tuercas mariposa (DD).

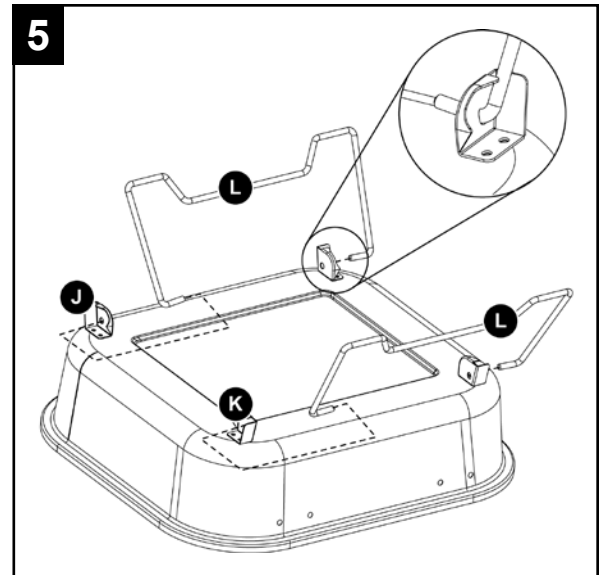
**Nota:** Mientras sujeta la arandela de seguridad de 4,3 mm (GG) y la tuerca de mariposa M4 (DD), use un destornillador para fijar el tornillo M4 x 12 mm pequeño (AA) a la tuerca de mariposa M4 (DD).



### Aditamentos utilizados

<b>AA</b>	Tornillo M4 x 12 mm pequeño		x 8
<b>DD</b>	Tuerca mariposa M4		x 8
<b>GG</b>	Arandela de seguridad de 4,3 mm		x 8

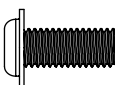


5. Fije las patas (L) a los soportes (J y K).

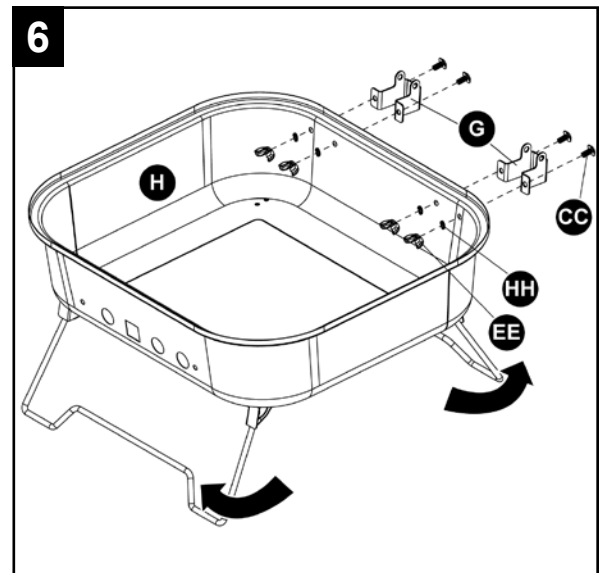


6. Jale las patas hacia la parte exterior de la parrilla hasta que se fijen en su lugar.

Fije las bisagras inferiores (G) al cuenco inferior (H) con dos juegos de dos tornillos M5 x 12 mm grandes (CC), dos arandelas de seguridad de 5,3 mm (HH) y dos tuercas mariposa M5 (EE).

### Aditamentos utilizados

<b>CC</b>	Tornillo M5 x 12 mm grande		x 4
<b>EE</b>	Tuerca mariposa M5		x 4
<b>HH</b>	Arandela de seguridad de 5,3 mm		x 4

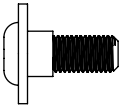



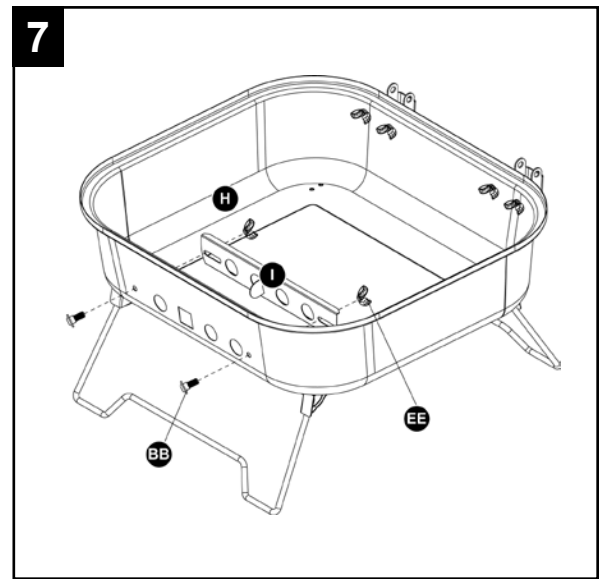


## INSTRUCCIONES DE ENSAMBLAJE

7. Fije el ventilador del cuenco inferior (I) al cuenco inferior (H) con dos tornillos M5 x 12 mm pequeños (BB) y dos tuercas mariposa M5 (EE).

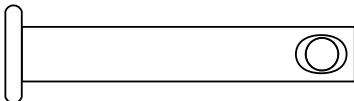
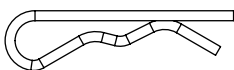
### Aditamentos utilizados

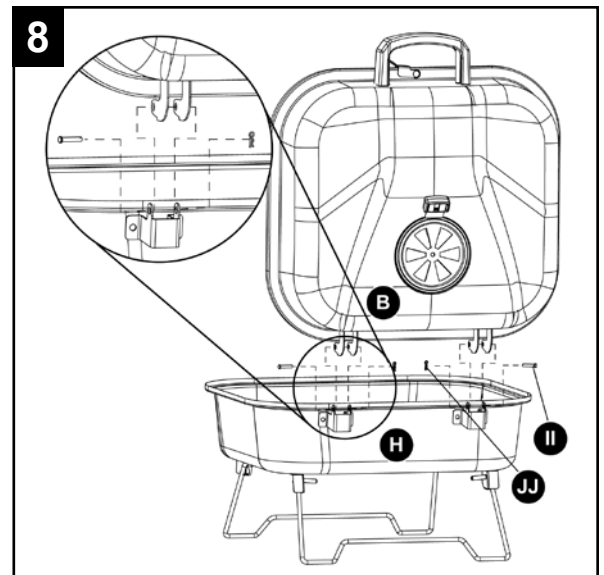
<b>BB</b>	Tornillo M5 x 12 mm pequeño		x 2
<b>EE</b>	Tuerca mariposa M5		x 2



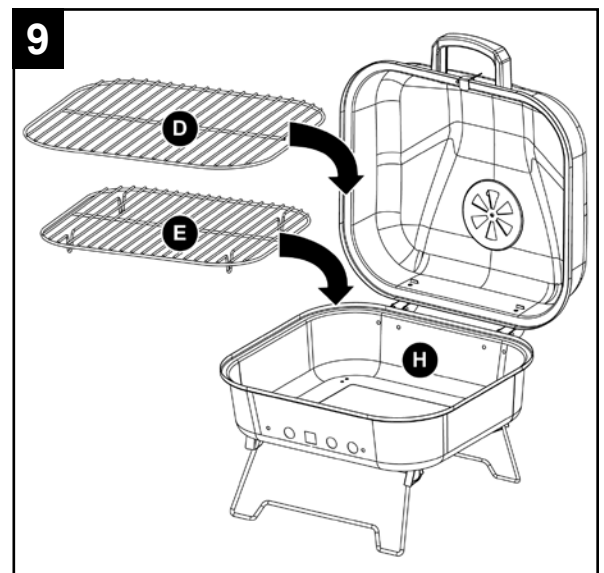
8. Fije la tapa (B) al cuenco inferior (H) con dos pasadores de 5 x 30 mm (II) y dos pasadores de chaveta de 1,4 x 30 mm (JJ).

### Aditamentos utilizados

<b>II</b>	Pasador de 5 x 30 mm		x 2
<b>JJ</b>	Pasador de chaveta de 1,4 x 30 mm		x 2



9. Inserte la rejilla para el carbón (E) y luego la rejilla de cocción (D) en el cuenco inferior (H).



## INSTRUCCIONES DE FUNCIONAMIENTO

### Para asegurar la parrilla:

Cierre la tapa. Deslice el seguro hacia delante hasta que los lados del mismo cubran la tapa y el cuenco inferior. Consulte la Fig. 1a.

### Para abrir la parrilla:

Deslice el seguro hacia atrás hasta que se detenga o ambos lados del mismo estén separados de la tapa y del cuenco inferior. Consulte la Fig. 1b.

### Para plegar las patas para almacenarla o transportarla:

#### PRECAUCIÓN

- El transporte y almacenaje deben realizarse cuando la parrilla esté fría y sin combustible.
- Asegure siempre la parrilla antes de plegar las patas y transportarla.

Jale las patas hacia el centro de la parrilla hasta que se fijen en su lugar. Consulte la Fig. 2a.

### Para desplegar las patas para usar la parrilla:

Jale las patas hacia la parte exterior de la parrilla hasta que se fijen en su lugar. Consulte la Fig. 2b.

Fig. 1a

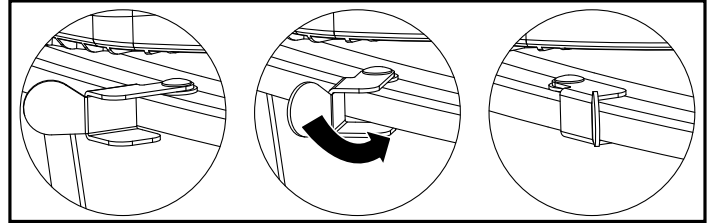


Fig. 1b

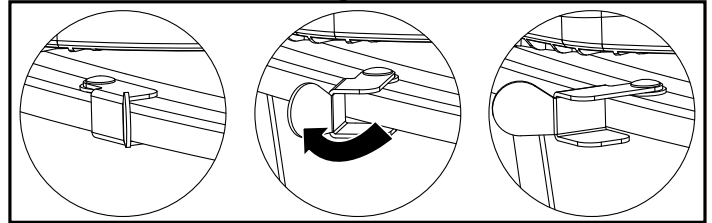


Fig. 2a

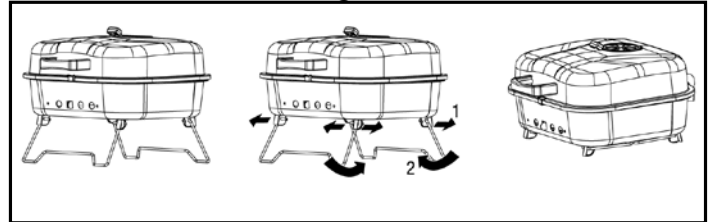
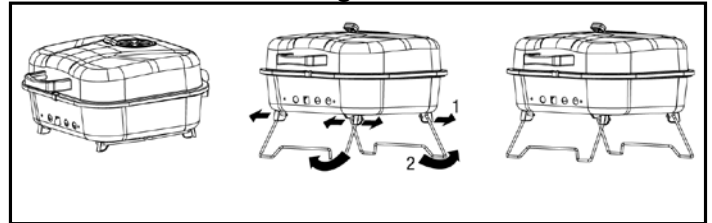


Fig. 2b



## INSTRUCCIONES DE FUNCIONAMIENTO

---

Este artefacto está diseñado sólo para usarse con briquetas de carbón, carbón en trozos y madera para leña de calidad.

### PRECAUCIÓN

- No utilice carbón que se haya pretratado con líquido para encendedor. Use sólo carbón puro, mezcla de carbón y madera, carbón en trozos o madera para leña de alta calidad.

### Primer uso

1. Asegúrese de que se hayan retirado todas las etiquetas, láminas protectoras y de embalaje de la parrilla.
2. Antes de cocinar por primera vez en esta parrilla, manténgala encendida durante al menos 15 minutos con la tapa cerrada para quitar los aceites de fabricación. El calor generado limpiará las piezas internas y disipará los olores.

### Encendido

#### PRECAUCIÓN

- Asegúrese de que no haya desechos ni cenizas en el orificio de ventilación antes del uso de la parrilla.
- Asegúrese de que el colector de cenizas esté vacío y seguro, y completamente en su lugar antes de usar la parrilla.

1. Abra la tapa y las ventilas.
2. Asegúrese de que el contenedor de cenizas está vacío y firme en su posición.
3. Retire la rejilla de cocción.
4. Disponga las briquetas de carbón u otro combustible en la rejilla para el carbón.
5. Encienda siguiendo las instrucciones en el empaque del combustible.
6. Deje que el combustible se quemé hasta quedar como cenizas al rojo vivo antes de cocinar.

#### PRECAUCIÓN

- Cuando use un líquido para encender el fuego verifique siempre, antes de encender el fuego, que el líquido no se ha acumulado en el recogedor de ceniza, lo cual puede provocar un fuego debajo del cuenco de la parrilla.
- Nunca agregue líquido para encendedor a las cenizas calientes o, incluso, tibias puesto que se pueden producir retrocesos de las llamas y ocasionar **lesiones graves o daño a la propiedad**.

### Cocción directa

Cocinar directamente sobre las cenizas calientes es ideal para dorar los jugos y asar alimentos que requieren un tiempo de asado menor a los 25 minutos, como bistec, hamburguesas, salchichas, pollo en trozos, verduras y frutas.

1. Abra la tapa y retire la rejilla de cocción.
2. Agregue y encienda el carbón según las instrucciones de la sección “Encendido”. Deje la tapa abierta.
3. Usando guantes de protección y una herramienta manual, esparza con cuidado y en forma pareja las cenizas calientes por toda la superficie de la parrilla a carbón.
4. Usando guantes de protección, vuelva a poner la rejilla de cocción, cierre la tapa y permita que la rejilla se caliente un poco.

## INSTRUCCIONES DE FUNCIONAMIENTO

---

5. Usando guantes de protección abra la tapa y use unas tenazas largas para colocar la comida en las rejillas de cocción sobre las cenizas calientes.
6. Con la tapa abierta o cerrada, cocine hasta que los alimentos alcancen la temperatura interna deseada.  
**Nota:** Si necesita briquetas adicionales, saque la comida de la rejilla de cocción y, usando guantes de protección, retire la rejilla de cocción. Coloque briquetas adicionales sin mover las cenizas calientes. Con cuidado, vuelva a colocar la rejilla de cocción y los alimentos.
7. Cierre la tapa y todas las ventilas para permitir que el carbón se queme completamente. NO vierta agua sobre las cenizas calientes, a menos que se trate de una emergencia.

### Cocción indirecta

No cocinar directamente sobre las cenizas calientes es ideal para cocción lenta y para asar comidas que requieren de más de 25 minutos, como trozos grandes de carne, lomo, chuletas, pollos, pavo y pescados enteros y productos horneados.

1. Abra la tapa y retire la rejilla de cocción.
2. Agregue y encienda el carbón según las instrucciones de la sección “Encendido”. Deje la tapa abierta.
3. Usando guantes de protección y una herramienta manual, esparza con cuidado las cenizas calientes hacia los costados de la parrilla a carbón.
4. Usando guantes de protección, vuelva a poner la rejilla de cocción, cierre la tapa y permita que la rejilla se caliente un poco.
5. Use los guantes de protección para abrir la parrilla. Use herramientas manuales largas para colocar la comida en las rejillas de cocción sobre las áreas donde no hay cenizas calientes.
6. Con la tapa cerrada, cocine hasta que la comida alcance la temperatura interna deseada.  
**Nota:** Si necesita briquetas adicionales, saque la comida de la rejilla de cocción y, usando guantes de protección, retire la rejilla de cocción. Coloque briquetas adicionales sin mover las cenizas calientes. Con cuidado, vuelva a colocar la rejilla de cocción y los alimentos.
7. Cierre la tapa y todas las ventilas para permitir que el carbón se queme completamente. NO vierta agua sobre las cenizas calientes, a menos que se trate de una emergencia.

Para obtener más consejos acerca de la cocción indirecta, consulte los “Consejos para obtener una mejor cocción y ampliar la vida útil de la parrilla”.

### Control de las llamas



#### ADVERTENCIAS

- No use agua sobre un incendio provocado por grasa. Esto puede hacer que la grasa salpique pudiendo ocasionar quemaduras, lesiones corporales u otros daños graves.
- Cuando cocine, tenga a la mano materiales para la extinción del fuego. En caso de que se produzca un incendio por el aceite o la grasa, no intente apagarlo con agua. Use un extintor de incendios a base de polvo químico seco tipo BC o extíngalo con tierra, arena o bicarbonato.

### PRECAUCIÓN

- No deje la parrilla sin supervisión mientras la precalienta o quema residuos de alimentos. Si la parrilla no se ha limpiado, podría ocurrir un incendio provocado por la grasa que puede dañar el producto.

## **INSTRUCCIONES DE FUNCIONAMIENTO**

---

- Las llamaradas son parte de la cocción de carnes en una parrilla y aderezos del sabor único que da asar un alimento.
- El exceso de llamaradas puede recocer la comida y ocasionar una situación peligrosa para usted y su parrilla.
- El exceso de llamaradas es el resultado de la acumulación de grasa en la parte inferior de la parrilla.
- Si se producen llamaradas en exceso, NO vierta agua a las llamas.
- Si se produce un incendio por grasa, cierre la tapa hasta que ésta se quemé completamente. Tenga cuidado al abrir la tapa, puesto que puede haber llamaradas repentinas.

### **Minimice las llamaradas**

1. Corte el exceso de grasa de las carnes antes de la cocción.
2. Cocine las carnes con un alto contenido de grasa de manera indirecta.
3. Asegúrese de que la parrilla esté sobre una superficie sólida, nivelada y no combustible.

### **Consejos para obtener una mejor cocción y ampliar la vida útil de la parrilla**

1. Para reducir las llamaradas, mantenga la parrilla limpia, use cortes de carne magra (o quite la grasa) y evite cocinar a temperaturas muy altas.
2. Coloque los alimentos delicados, como pescados y verduras, envueltos en papel de aluminio y cocínelos indirectamente o sobre la rejilla para calentar.
3. Para no perder los jugos naturales, use tenazas largas o espátulas en vez de tenedores y volteé los alimentos sólo una vez durante la cocción.
4. Cuando cocine de manera indirecta trozos grandes de asado y cortes gruesos de carne, colóquelos sobre una rejilla tostadora dentro de una bandeja de metal de amplio diámetro.
5. Los sartenes con agua pueden ser útiles para reducir las llamaradas y cocinar las carnes más jugosas. Antes de encender el carbón, retire las rejillas de cocción y coloque un sartén bajo y de alta resistencia directamente sobre la rejilla para carbón. Llénelo hasta la mitad con agua, jugos de frutas u otros líquidos con sabor. Coloque el carbón alrededor de la rejilla, según las instrucciones de la sección "Encendido", vuelva a colocar las rejillas de cocción y ponga la comida sobre el sartén.
6. Acentúe el sabor de los alimentos usando astillas de madera en ahumadores o en envoltorios de papel de aluminio. Siga las instrucciones del fabricante de las astillas de madera.
7. Las rostizadoras, las cestas para parrilla, los asadores de pollo verticales y otros accesorios pueden mejorar la cocción en la parrilla, reducir los tiempos de cocción y ayudar en la limpieza.
8. Limpie las rejillas de cocción y las rejillas después de cada uso, con un cepillo para parrillas de buena calidad diseñado para el material de la rejilla. Use guantes de protección y elimine las grasas acumuladas mientras las rejillas todavía estén calientes.
9. Deje que la parrilla se enfríe completamente después de cada uso. Luego, proteja las rejillas de cocción limpias con una capa delgada de aceite para cocinar, retire las cenizas, limpie la superficie exterior con un limpiador de cocina apropiado y proteja las superficies con una cubierta de buena calidad que se ajuste bien a su parrilla.
10. Vea programas de televisión acerca de barbacoas o compre libros de cocina de barbacoas para aprender consejos prácticos e interesantes.

### ADVERTENCIA

- NO limpie ninguna pieza de la parrilla en un horno con autolimpieza. El calor extremo daña el acabado.

### PRECAUCIÓN

- La limpieza y el mantenimiento se deben realizar cuando la parrilla está fría (aproximadamente 45 minutos) y sin combustible.

### AVISOS

- Los limpiadores abrasivos dañan este producto.
- Nunca use limpiador de **hornos para limpiar ninguna pieza de esta parrilla.**

### Limpieza de superficies

1. Limpie las superficies con detergente para platos suave o bicarbonato de sodio.
2. Para las superficies difíciles, use un desengrasante cítrico y un cepillo para fregar de nailon.
3. Limpie y enjuague con agua.

### Consejos

1. Para evitar el óxido, mantenga la parrilla cubierta cuando no esté en uso.
2. Aplicar una capa delgada de aceite vegetal o de aceite vegetal en aerosol en las superficies interiores de la parrilla puede ayudar a evitar el óxido. NO cubra la rejilla para carbón ni el colector

## **GARANTÍA LIMITADA**

---

de cenizas.

El proveedor garantiza al comprador minorista original de este producto, y a ninguna otra persona, que si este producto se ensambla y se usa de acuerdo con las instrucciones impresas incluidas, ninguna de las piezas del producto presentará defectos de fabricación en el material ni en la mano de obra durante un (1) año desde la fecha de compra. El proveedor podría exigir un comprobante razonable de la fecha de su compra. Por ello, usted deberá conservar su recibo o factura de la venta. Esta Garantía Limitada se limitará al reemplazo o reparación de piezas que presenten fallas bajo un uso y servicio normales y que el Proveedor determine en su propia opinión que presentan fallas después de examinarlas. Antes de devolver cualquier pieza, debe ponerse en contacto con el Departamento de Servicio al Cliente del Proveedor, mediante la información de contacto que se presenta más abajo. Si el Proveedor después de examinar la pieza devuelta confirma que existe una falla que está cubierta por esta Garantía Limitada, y si el Proveedor aprueba el reclamo, esa pieza se reemplazará sin ningún costo para el cliente. Al devolver piezas defectuosas usted deberá prepagar los cargos de transporte. El Proveedor devolverá las piezas de repuesto al comprador minorista original con flete o franqueo prepago.

Esta Garantía Limitada no cubre fallas o dificultades en la operación debido a accidentes, mal uso, abuso, alteraciones, aplicación inadecuada o instalación o mantenimiento inadecuados o reparados por usted o por un tercero, o por no efectuar mantenimiento normal o rutinario del producto como se señala en este manual del propietario. Además, la Garantía limitada no cubre daños al acabado, tales como rayas, hendiduras, oxidación, decoloración u otros daños producidos por el clima después de la compra.

Esta Garantía Limitada reemplaza a todas las demás garantías explícitas. El proveedor rechaza todas las demás garantías por productos que se adquieran de vendedores distintos a las tiendas minoristas o distribuidores autorizados, incluida la garantía de comerciabilidad o la garantía de idoneidad para un fin en particular. **EL PROVEEDOR TAMBIÉN RECHAZA TODAS LAS DEMÁS GARANTÍAS IMPLÍCITAS, LO QUE INCLUYE SIN LIMITACIÓN A TODAS LAS GARANTÍAS IMPLÍCITAS DE COMERCIABILIDAD E IDONEIDAD PARA UN FIN EN PARTICULAR. EL PROVEEDOR NO SERÁ RESPONSABLE LEGAL ANTE EL COMPRADOR NI ANTE NINGÚN TERCERO POR NINGÚN DAÑO ESPECIAL, PUNITIVO, INDIRECTO INCIDENTAL O RESULTANTE.** El proveedor también rechaza cualquier garantía explícita o implícita por las fallas en la fabricación causada por terceros y tampoco asume ninguna responsabilidad por ellas.

Esta Garantía Limitada le otorga derechos legales específicos al comprador, el que podría tener también otros derechos dependiendo de dónde viva. Algunas jurisdicciones no permiten la exclusión o limitación de daños especiales, incidentales o resultantes, ni permiten limitaciones en cuanto a la duración de una garantía, de modo que es posible que las limitaciones y exclusiones anteriores no se apliquen a todas las personas.

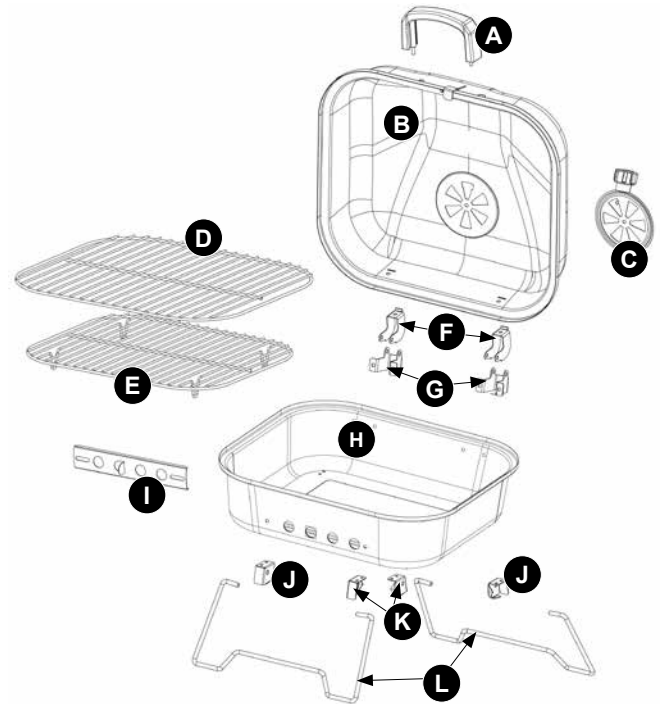
El proveedor no autoriza a ninguna persona o compañía a asumir en su nombre ninguna otra obligación o responsabilidad en relación a la venta, instalación, uso, retiro, devolución o reemplazo de sus equipos y ninguna de esas representaciones obliga al Proveedor.

Para obtener el servicio de garantía, llame al 1-800-963-0211, de lunes a jueves de 8 a.m. a 6 p.m. y los viernes de 8 a.m. a 5 p.m., hora estándar del Este.

## LISTA DE PIEZAS DE REPUESTO

Para obtener piezas de repuesto, llame a nuestro Departamento de Servicio al Cliente al 1-800-963-0211, de lunes a jueves de 8 a.m. a 6 p.m. y los viernes de 8 a.m. a 5 p.m., hora estándar del Este.

Pieza	Descripción	Cantidad
A	Manija	55-09-098
B	Tapa	55-22-000
C	Ventilador de la tapa	55-08-367
D	Rejilla de cocción	55-09-095
E	Rejilla para el carbón	55-09-094
F	Bisagras superiores	55-15-330
G	Bisagras inferiores	55-15-329
H	Cuenco inferior	55-22-001
I	Ventilador del cuenco inferior	55-09-535
J	Soporte de la pata A	55-22-303
K	Soporte de la pata B	55-22-304
L	Pata	55-22-002



Impreso en China

Master Forge and M Design® es una marca registrada de LF, LLC. Todos los derechos reservados.