



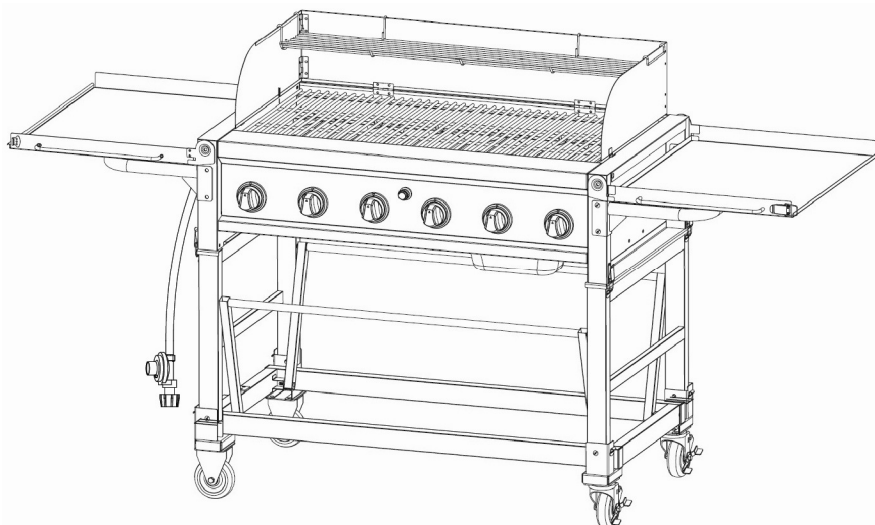
Master Forge & M Design® is a registered trademark of LF, LLC. All rights reserved.

ITEM #0340113

# 6-BURNER EVENT GRILL

MODEL# GR2045401-MF-00 / GR2045402-MF-00

Français p. 27 - 53  
Español p. 54 - 79



**⚠ DANGER ⚠**

If you smell gas:

1. Shut off gas to the appliance.
2. Extinguish any open flame.
3. Open lid.
4. If odor continues, keep away from the appliance and immediately call your gas supplier or your fire department.

Failure to follow these instructions could result in fire or explosion which could cause property damage, personal injury or death.

**⚠ DANGER ⚠**

**For Outdoor Use Only**

**⚠ WARNING ⚠**

1. Do not store or use gasoline or other flammable liquids or vapors in the vicinity of this or any other appliance.
2. An LP cylinder not connected for use shall not be stored in the vicinity of this or any other appliance.

**⚠ IMPORTANT ⚠**

Please read Safety and Precaution statements, Grill Maintenance, Leak Testing Regulator/Cylinder connection and Lighting Instructions before using grill for first time,

- This instruction manual contains important information necessary for the proper assembly and safe use of the appliance.
- Read and follow all warnings and instructions before assembling/using the appliance.
- Follow all warnings and instructions when using the appliance.

Keep this manual for further reference.



**Questions, problems, missing parts?** Before returning to your retailer, call our customer service department at 1-800-963-0211, 8 a.m. - 6 p.m., EST, Monday - Thursday; 8 a.m. - 5 p.m., EST, Friday

## TABLE OF CONTENTS

---

Package Contents .....	3
Hardware List .....	4
Safety Information .....	4
Preparation .....	5
Assembly Instructions .....	8
Installation Instructions.....	12
Operating Instructions .....	18
Care and Maintenance .....	21
Troubleshooting .....	24
Warranty .....	26
Replacement Parts List .....	26

### **DANGER**

Indicates an imminently hazardous situation which, if not avoided, will result in death or serious injury.

### **WARNING**

Be alert to the possibility of serious bodily injury if the instructions are not followed. Be sure to read and carefully follow all of the messages.

### **CAUTION**

Indicates a potentially hazardous situation, which, if not avoided, may result in minor or moderate injury.

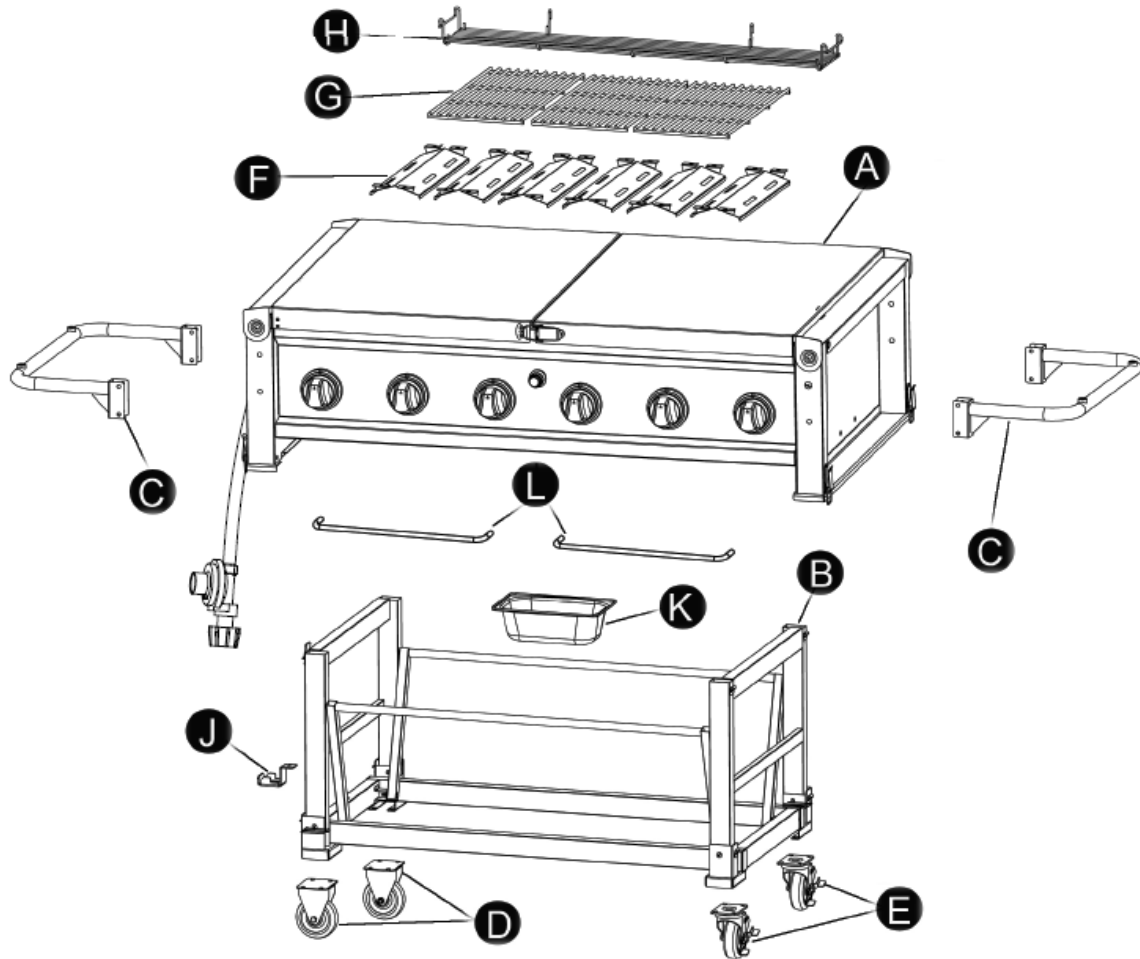
### **WARNING**

#### CALIFORNIA PROPOSITION 65

1. Combustion by-products produced when using this product contain chemicals known to the State of California to cause cancer, birth defects, and other reproductive harm.
2. This product contains chemicals, including lead and lead compounds, known to the State of California to cause cancer, birth defects or other reproductive harm.

Wash your hands after handling this product.

## PACKAGE CONTENTS




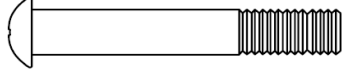



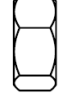


Parts	Description	Quantity
A	Grill Body	1
B	Cart	1
C	Handle	2
D	Stationary Caster	2
E	Universal Caster	2
F	Heat Diffuser	6

Parts	Description	Quantity
G	Cooking Grid	3
H	Warming Rack	1
J	Gas Tank Holder	1
K	Grease Cup	1
L	Towel Rack	2

## HARDWARE LIST

---

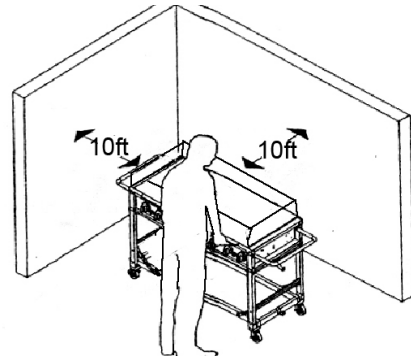
Hardware	Description	Quantity	Picture (Shown to size)	
AA	Bolt M6 x 12	18		
BB	Step Bolt M6	8		
CC	Bolt M5 x 8	4		
DD	Nut M6	8		

## SAFETY INFORMATION

---

### WARNING:

1. This outdoor cooking gas appliance shall be used only outdoors and shall not be used in a building, garage or any other enclosed area.
2. This outdoor cooking gas appliance is not intended to be installed in or on boats or recreational vehicles.
3. Use your grill OUTDOORS in a well ventilated space away from dwellings or other buildings to prevent dangers associated with gas accumulation and toxic vapors. The grill should be situated at least 10 feet (3.1 m) from buildings. Not adhering to these clearances will prevent proper ventilation and may increase the risk of a fire and/or property damage, which could also result in personal injury.
4. Maintain a minimum clearance of 10 feet (3.1 m) between all sides of grill, deck railings, walls or other combustible material. DO NOT use grill under overhead unprotected combustible construction.
5. DO NOT obstruct the flow of combustion/ventilation air.
6. DO NOT leave the grill unattended while in use.
7. DO NOT use while under the influence of drugs or alcohol.
8. Keep the fuel supply hose away from heated surfaces
9. DO NOT put grill in storage or move it after use. Allow grill to cool to touch before moving/storing. Failure to do so could result in fire resulting in property damage,



personal injury or death.

10. The appliance is for household use only. DO NOT use this grill for other than its intended purpose.
11. Never use natural gas in a unit designed for liquid propane gas.
12. Never use charcoal or wood briquettes in a gas grill. Flavoring chips must be contained in a metal smoking box to contain ash and prevent fires.
13. Leak test must be conducted prior to each use.
14. Keep a fire extinguisher on hand acceptable for use with gas products. Refer to your local authority to determine proper size and type.
15. Grill is hot when in use. To avoid burns:
  - DO NOT attempt to move the grill.
  - Lock the wheels so the unit does not accidentally move.
  - Wear protective gloves or oven mitts.
  - DO NOT touch any hot grill surfaces.
16. DO NOT wear loose clothing or allow hair to come in contact with grill.

## PREPARATION

---

Before beginning assembly of product, make sure all parts are present. Compare parts with package contents list and diagram above. If any part is missing or damaged, do not attempt to assemble product. Contact customer service for replacement parts.

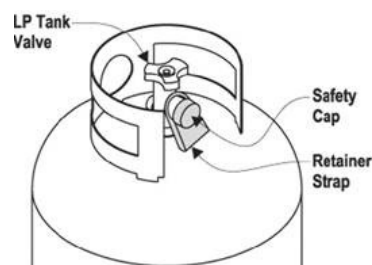
Estimate Assembly Time: Less than 30 minutes.

Tools Required: Pliers (not included), Phillips Screwdriver (not included). Adjustable Wrench (not included).

### LP tank valve must have:

- Type 1 outlet compatible with regulator or appliance.
- Safety relief valve.
- UL listed Overfill Protection Device (OPD). This OPD safety feature is identified by a unique triangular hand wheel. Use only tanks equipped with this type of valve.
- LP tank must be arranged for vapor withdrawal.

The LP cylinder must be constructed and marked in accordance with the Specifications for LP-Gas Cylinders of the U.S. Department of Transportation (D.O.T.) or the National Standard of Canada CAN/CSA – B339, Cylinder, Spheres and Tubes for Transportation of Dangerous Goods; and Commission of Dangerous Goods; and Commission, as applicable.
- The LP cylinder must include a collar to protect the cylinder valve.
- The LP cylinder must be stored outdoors out of the reach of children and SHALL NOT be stored in a building, garage, shed, breezeway, or any other enclosed space. Cylinders can be stored indoors ONLY if cylinders are disconnected and removed from the appliance.
- The cylinder should ALWAYS be put in an upright position.



## **⚠️WARNING⚠️**

Place dust cap on cylinder valve outlet whenever the cylinder is not in use. Only install the type of dust cap on the cylinder valve outlet that is provided with the cylinder valve. Other types of caps or plugs may result in leakage of propane.

## **⚠️DANGER⚠️**

- DO NOT connect this grill to an existing #510 POL cylinder valve with left hand threads. The Type 1 valve can be identified with the large external threads on the valve outlet.
- DO NOT connect to a propane cylinder exceeding this capacity.
- DO NOT connect to a cylinder that uses any other type of valve connection device.
- Never store a spare LP gas cylinder under or near your grill. This could cause pressure to be expelled through the vapor relief valve resulting in fire, explosion, or severe personal injury including death.
- Keep the ventilation opening(s) of the LP gas cylinder enclosure free and clear from obstructions and debris.
- DO NOT insert any foreign objects into the valve outlet, damage to the back-check could result. A damaged back-check can cause a leak, possibly resulting in explosions, fire, severe bodily harm, or death.

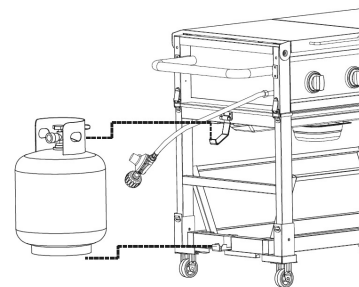
## **⚠️WARNING⚠️**

### **FOR FILLING THE LP GAS CYLINDER**

- Allow only qualified LP gas dealers to properly fill or repair your LP cylinder.
- DO NOT allow the cylinder to be filled beyond 80% capacity. Over-filled tanks can create a dangerous condition. Over-filled tanks can build-up pressure and cause the relief valve to expel propane gas vapors. The vapor is combustible and if it comes in contact with a spark source or flame, an explosion causing severe burns, bodily harm, or death could occur.
- Always use a safety cap when grill is not connected to cylinder.  
If you exchange a cylinder with a qualified exchange program, be sure the cylinder has a Type 1 valve and an over-filling prevention device (OPD).

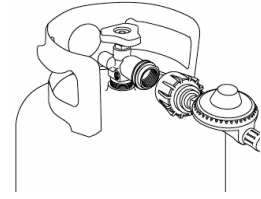
### **INSTALLING GAS CYLINDER**

1. Check that cylinder valve is closed by turning knob clockwise.
2. Place cylinder into tank holder in bottom cabinet.
3. Orient cylinder such that valve opening faces front burners and so that hose is not kinked/damaged.
4. Attach or detach regulator to LP cylinder only when cylinder is rested atop the tank holder.



## CONNECTION PROCEDURES

1. Make sure the tank valve is closed (turn valve clockwise till tight).
2. Check tank valve to ensure it has proper external male threads.
3. Make sure all burner valves are **OFF**.
4. Inspect valve connections, port, and regulator assembly. Look for any damage or debris. Remove any debris. Inspect hose for damage. Never attempt to use damaged or obstructed equipment. See local LP gas dealer for repair.
5. When connecting regulator assembly to the valve, hand tighten the quick coupling nut clockwise to a complete stop. Do not use a wrench to tighten. Use of a wrench may damage the quick coupling nut and result in a hazardous condition.
6. Open the tank valve fully (counterclockwise). Use a soapy water solution to check all connections for leaks before attempting to light the grill (see below). If a leak is found, turn the tank valve off and do not use the grill until a local LP gas dealer can make repairs.



### To disconnect LP gas cylinder:

#### **WARNING**

- If the grill is not in use, the gas must be turned off at the supply cylinder(s). Storage of the grill is permissible only if the cylinder is disconnected and removed from the grill.
  - Cylinders must be stored outdoors out of the reach of children and must not be stored in a building, garage or any other enclosed area.
1. Turn the burner valves off.
  2. Turn the tank valve off fully (turn clockwise to stop).
  3. Detach the regulator assembly from the tank valve by turning the quick coupling nut counterclockwise.

#### **CAUTION**

- When installing LP cylinders the pressure regulator and hose assembly supplied with this grill must be used. Replacement pressure regulators and hose assemblies must be those specified by the grill manufacturer.
- Place dust cap on cylinder valve outlet whenever cylinder is not in use. Only install the type of dust cap on the cylinder valve outlet that is provided with the cylinder valve. Other types of caps or plugs may result in leakage of propane.

## LEAK TEST

Although all gas connections on the grill are leak tested at the factory prior to shipment, a complete gas tightness check must be performed at the installation site due to possible mishandling in shipment, or excessive pressure unknowingly being applied to the unit. Periodically check the whole system for leaks following the procedures listed below. If the smell of gas is detected at anytime you should immediately check the entire system for leaks.

## BEFORE TESTING

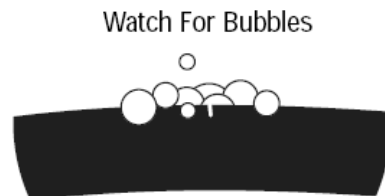
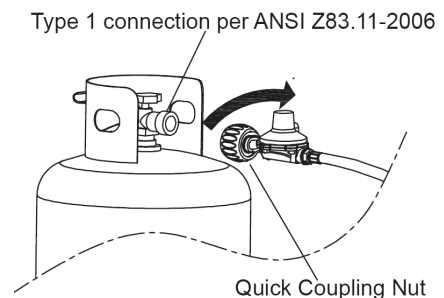
- Make sure that all packing material is removed from the grill including the burner tie-down straps.
- Make a soap solution of one part liquid detergent and one part water. You will need a spray bottle, brush, or rag to apply the solution to the fittings. For the initial leak test, make sure the LP cylinder is full.

## WARNING

- DO NOT SMOKE WHILE CONDUCTING LEAK TEST
- NEVER PERFORM LEAK TEST WITH AN OPEN FLAME
- If it is evident there is excessive abrasion or wear, or the hose is cut, it must be replaced prior to the appliance being operational. The replacement hose shall be specified the by manufacturer.

## TO TEST

1. Make sure the control valves are in the “OFF” position, and turn on the gas supply.
2. Check all connections from the gas cylinder, LP gas regulator and supply valve up to and including all the connections to the pipe that go to the burners (the diagram shows the point where the soap water mixture is being applied). Soap bubbles will appear where a leak is present.
3. If a leak is present, immediately turn off the gas supply and tighten the leaky fittings.
4. Turn the gas back on and recheck.
5. If it is evident there is excessive abrasion or wear, or the hose is cut, it must be replaced prior to the outdoor cooking gas appliance being put into operation. The replacement hose assembly shall be that specified by the manufacturer. Contact customer service department at 1-800-963-0211, 8 a.m. - 6 p.m., EST, Monday - Thursday; 8 a.m. - 5 p.m., EST, Friday.



## ASSEMBLY INSTRUCTIONS

---

**Symbol: Some steps may require the assistance of a friend.**

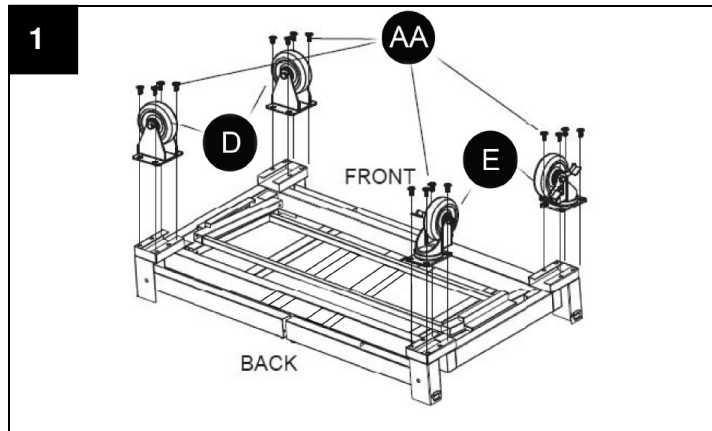
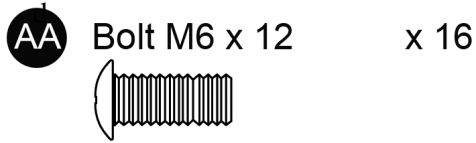




### Step 1

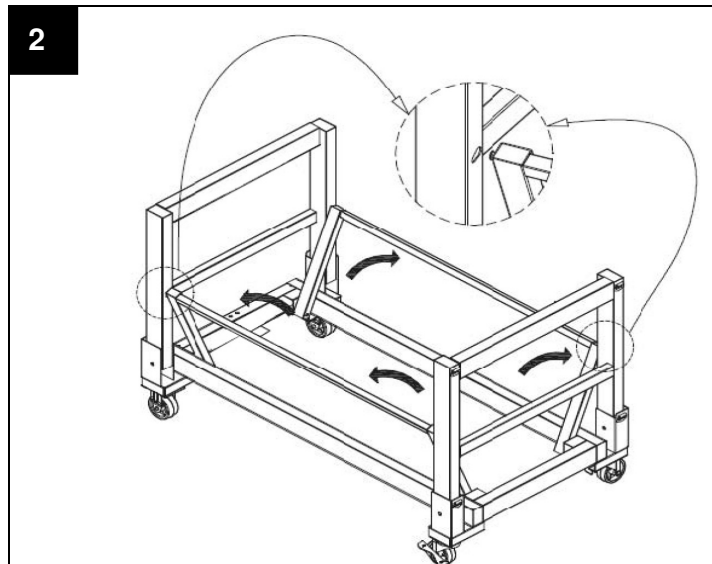
Assemble the stationary caster (D) and universal caster (E) to the grill cart with bolt (AA).

#### **HARDWARE USED**



### Step 2

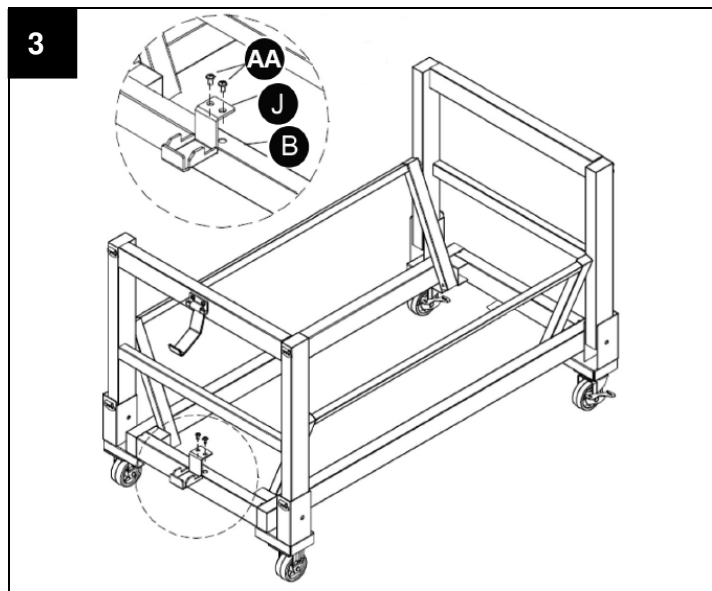
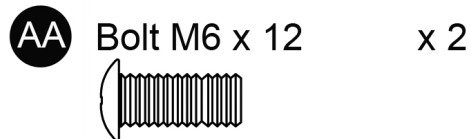
Turn the grill cart upside down. Open the left and right cart supporting legs and then open the horizontal front and rear bar support to hold the left and right supporting legs in position. Make sure the bolts at the opposite ends of the horizontal bars go into the locking holes of the legs, per the diagram.



### Step 3

Assemble the gas tank holder (J) to the left side of the grill cart (B) with bolt (AA).

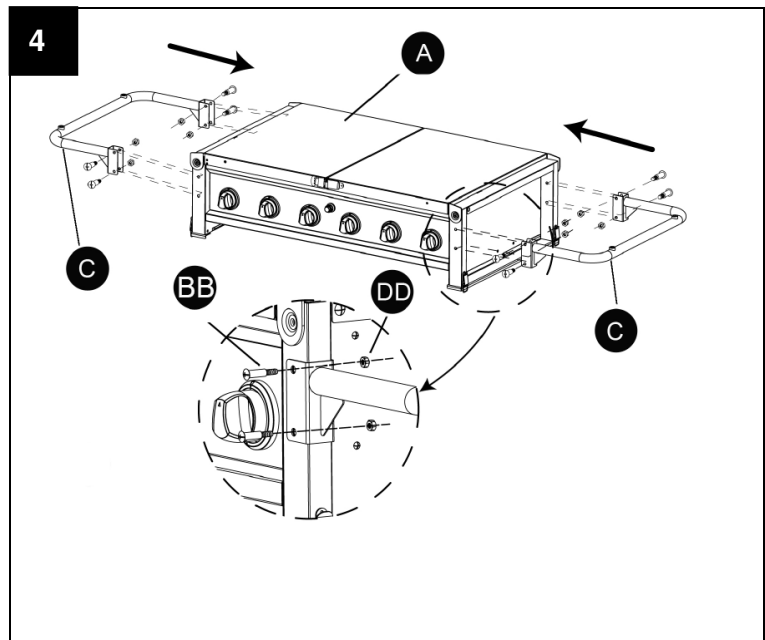
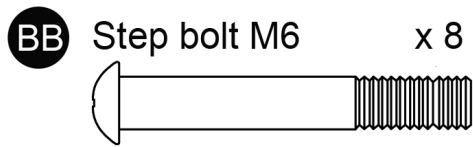
#### **HARDWARE USED**



### Step 4

Assemble the handles (C) to the grill body (A) with bolt (BB) and nut (DD).

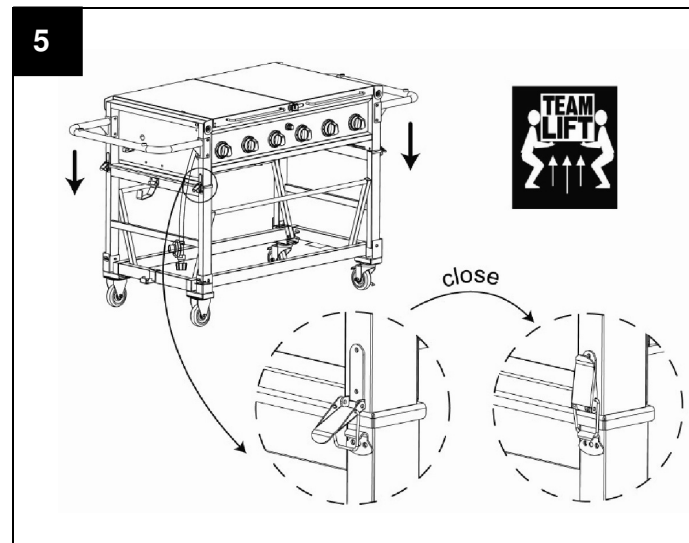
#### **HARDWARE USED**



### Step 5

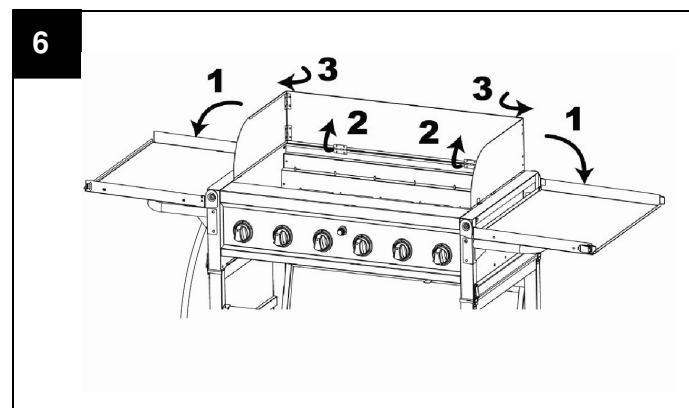
With the help of other people, place the grill body on the grill cart.

Make sure the four latches on the legs and grill body are tightly locked.



### Step 6

1. Open the side shelves.
2. Open the wind shield.
3. Open the side wind shield.

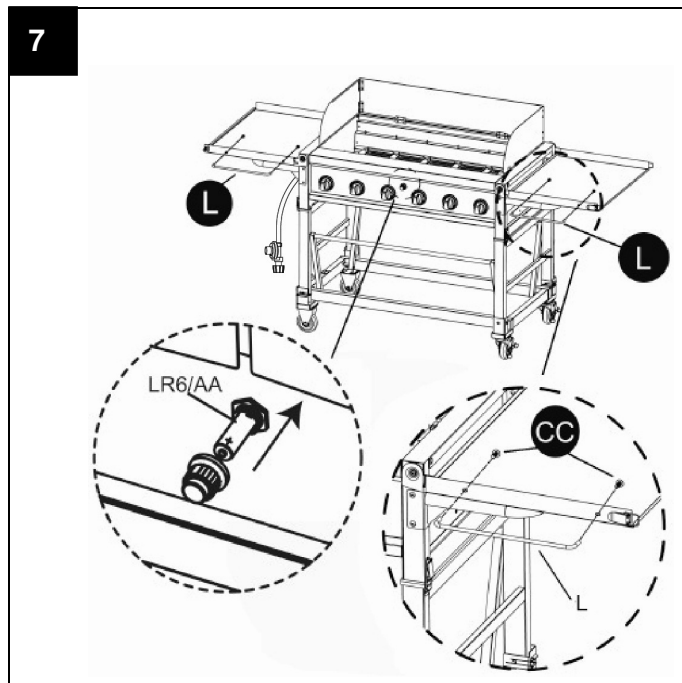


### Step 7

1. Assemble the towel racks (L) to the side shelves with bolt (CC).
2. Install a LR6/AA battery into the igniter.

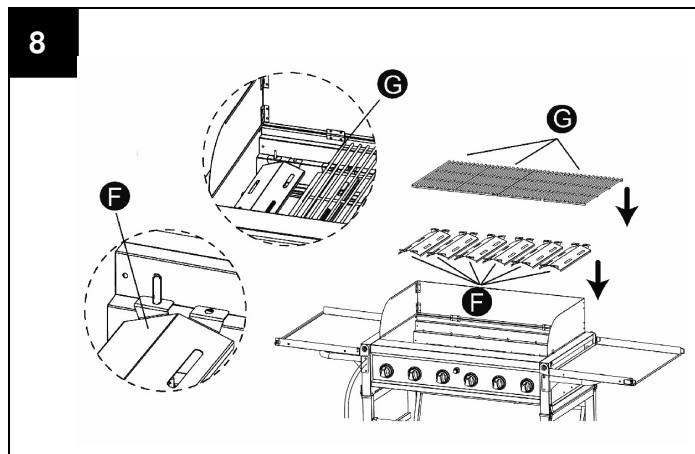
#### HARDWARE USED

Bolt M5 x 8 x 4



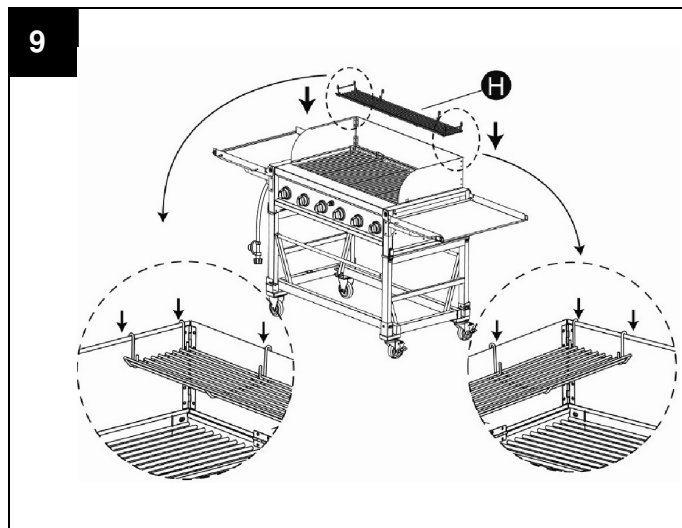
### Step 8

Place heat diffuser (F) onto the grill body. Make sure that the vertical pin goes through the holes of diffuser (F). Then place the cooking grid (G) onto the grill body.



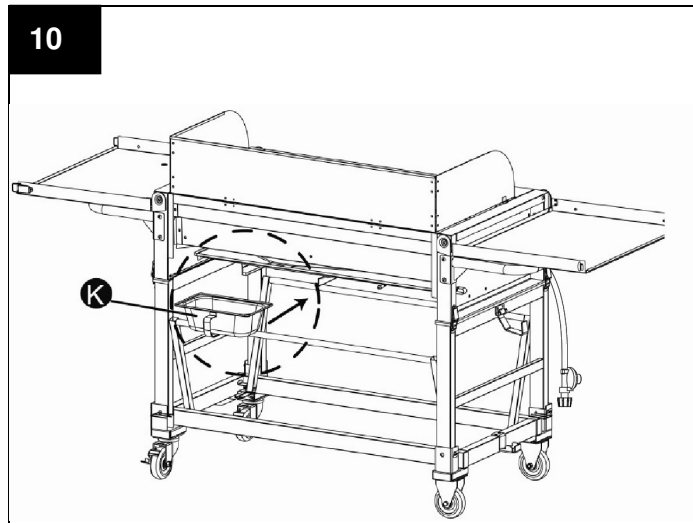
### Step 9

Hang the warming rack (H) on the windshield.



## Step 10

Place the grease cup (K) into the bottom bracket of grease collecting pan.



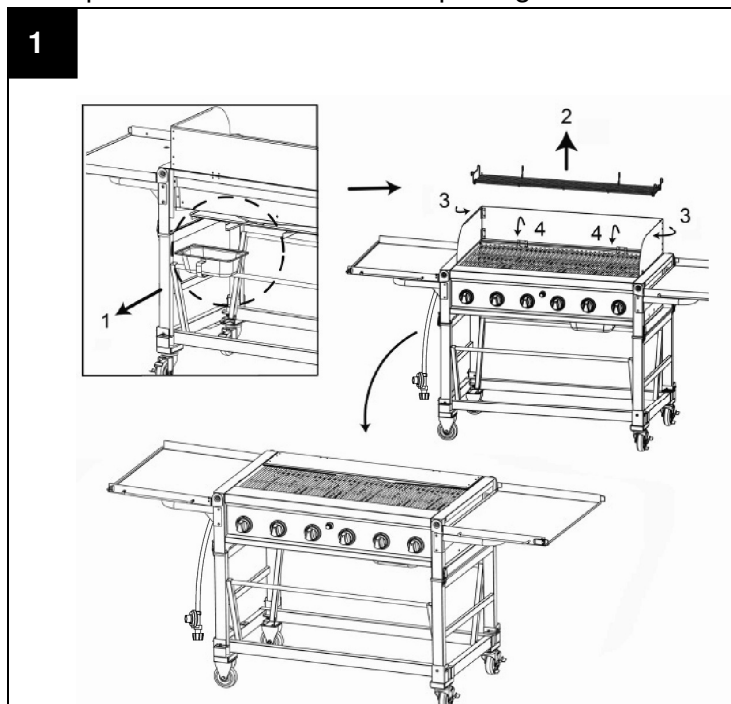
## INSTALLATION INSTRUCTIONS

### Folding Up Process

When the grill is not in use, please follow procedures below to fold up the grill.

#### Step 1

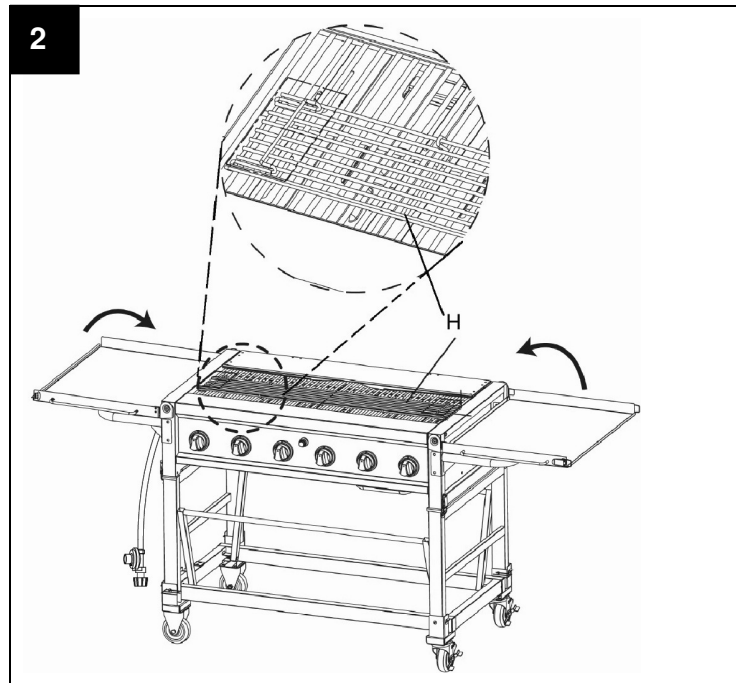
1. Remove the grease cup from the bottom of grease collecting pan.
2. Remove the warming rack.
3. Close the side panel of wind shield.
4. Fold down the wind shield.



## Step 2

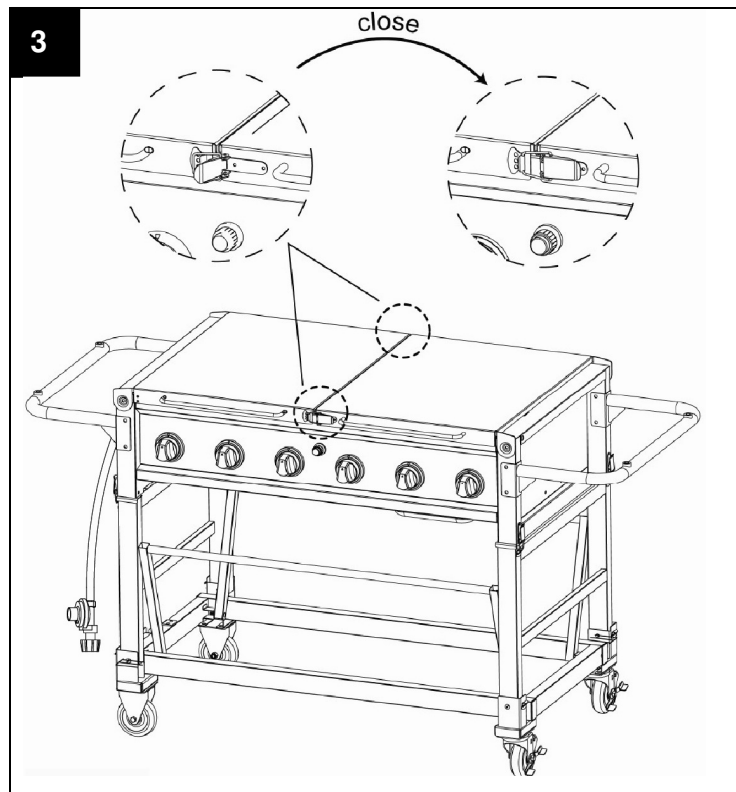
Turn the warming rack upside down with hanging hooks downward. Then place it on the front part of cooking grid and with the hanging hooks going into the cooking grid.

Close the left side shelf and then close the right side shelf.



## Step 3

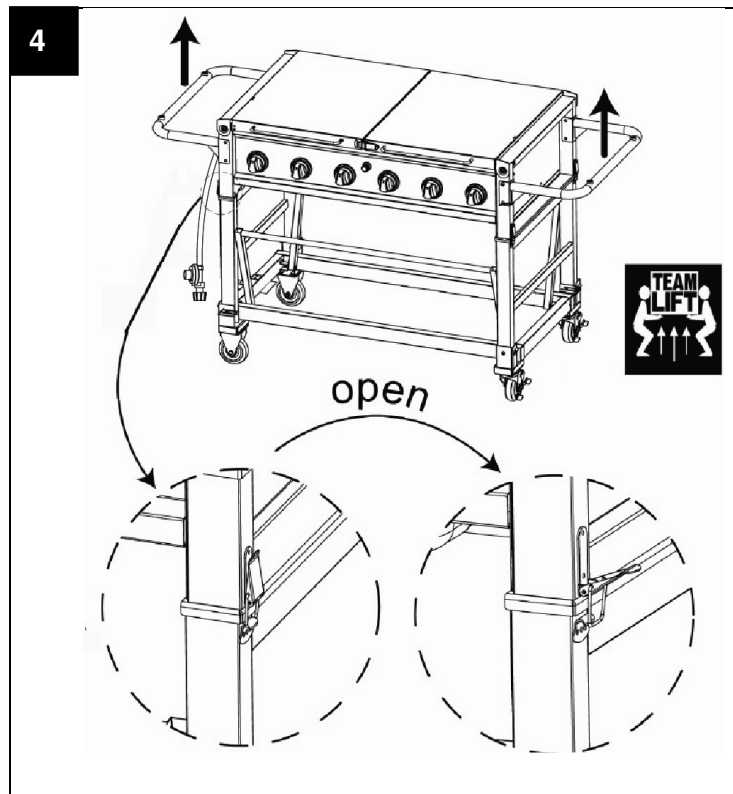
Once the side shelves are closed, lock the latches on the front and rear of side shelves.



#### Step 4

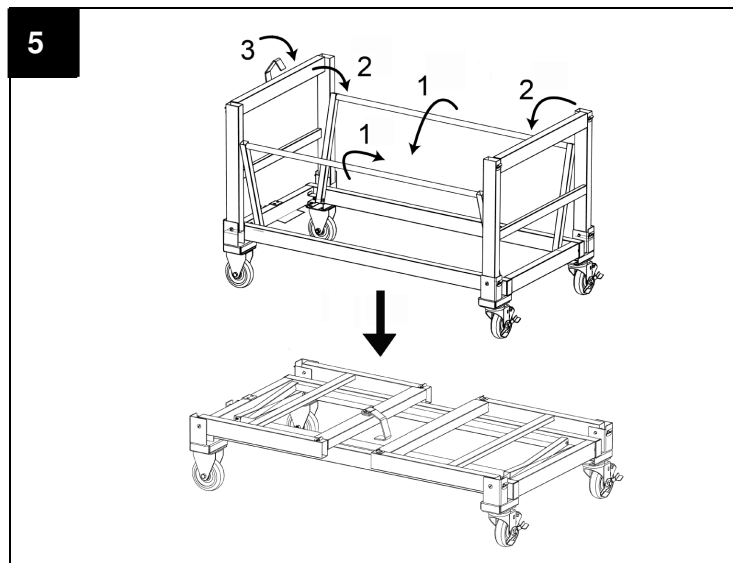
Unlock the latches on the four legs.

With the help of other people, lift the grill body away from the grill cart and put it on a horizontal flat and rigid surface.



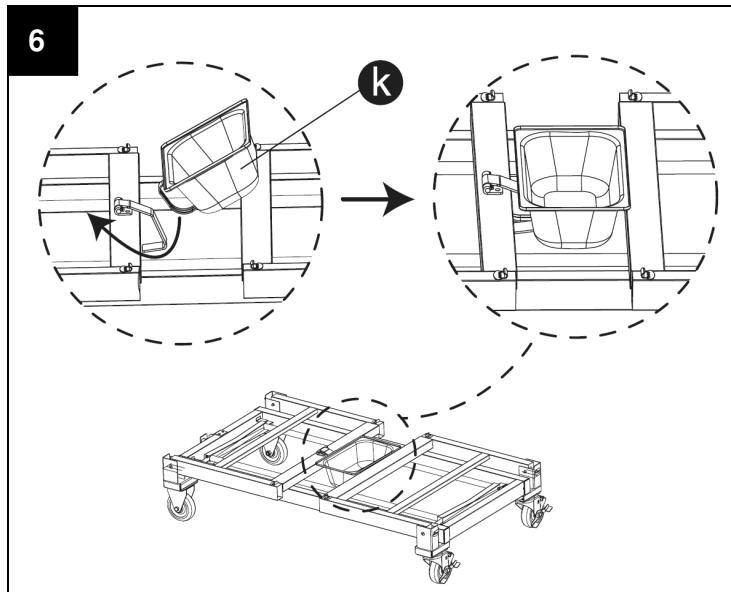
#### Step 5

1. Unlock the front and rear horizontal bars and lay them onto the grill cart.
2. Fold down the left and right legs of the grill cart.
3. Make sure the gas tank hanging hook also goes inside the grill cart.



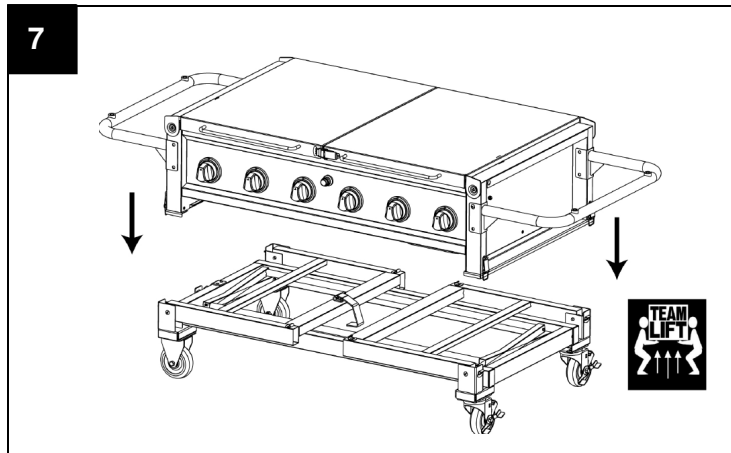
**Step 6**

Place the Grease Cup to the grill cart per illustration.



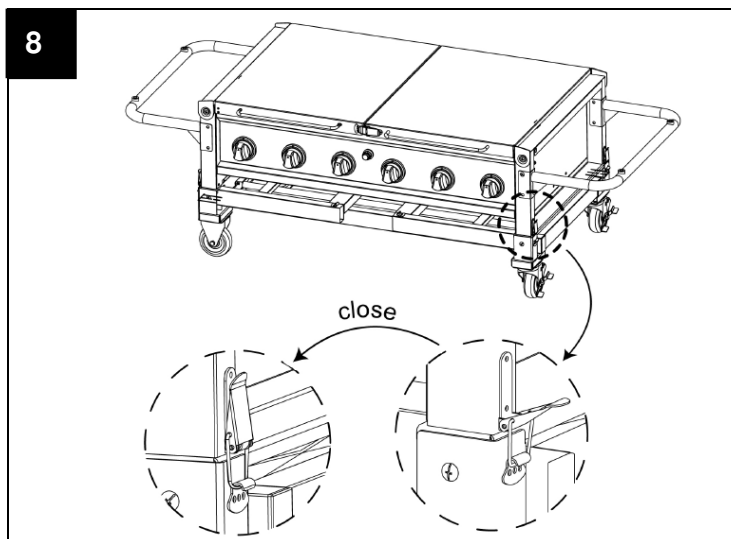
**Step 7**

With the help of other people, place the grill body onto the grill cart again.



**Step 8**

Lock the 4 latches on the grill cart to the grill body tightly.

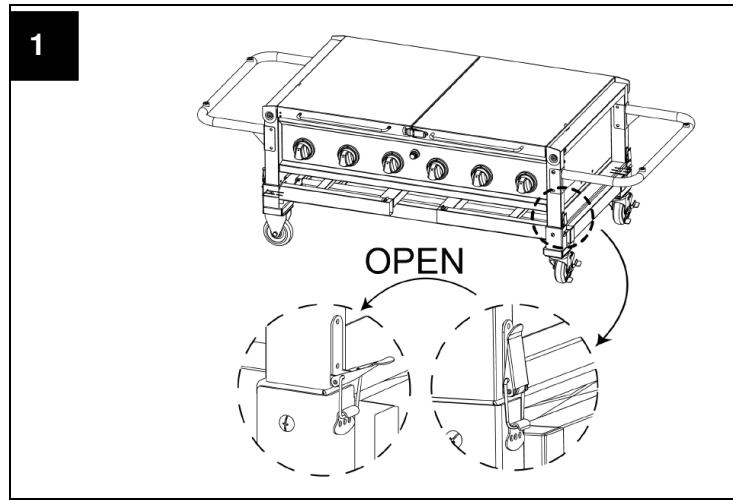


## Unfolding Process

To unfold the grill, please follow procedures below.

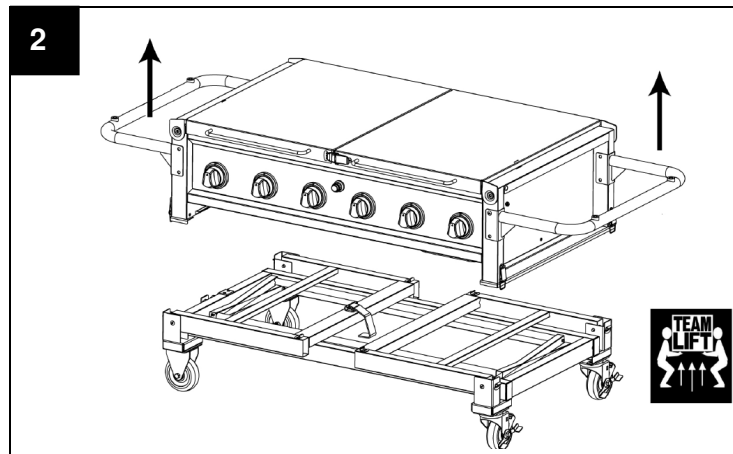
### Step 1

Unlock the 4 latches on the grill cart.



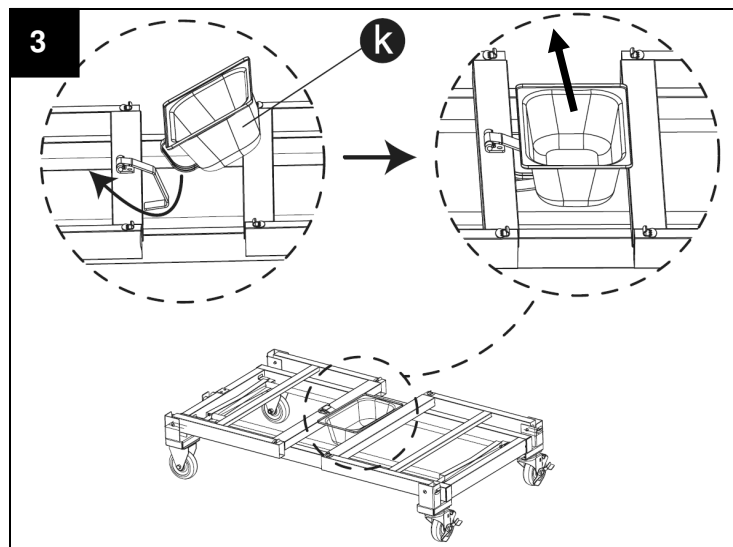
### Step 2

With the help of other people, lift the grill body up and away from the cart. Place it on a horizontal flat and rigid surface.



### Step 3

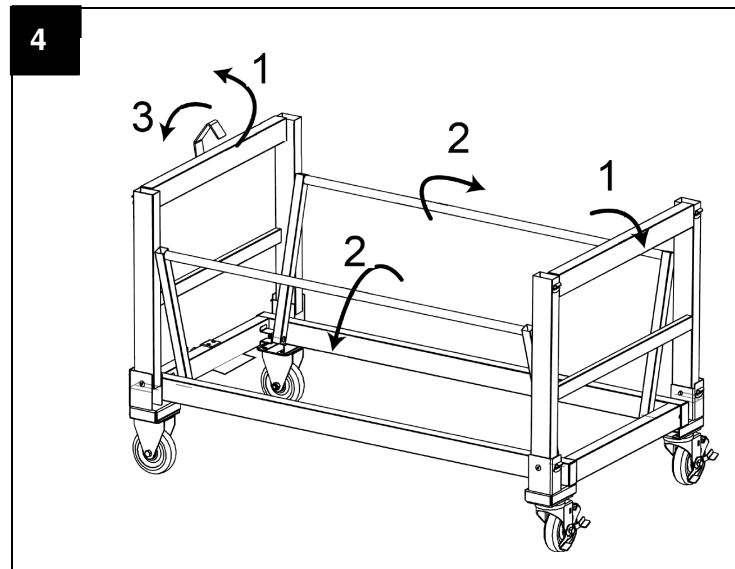
Take out the Grease Cup from the grill cart.





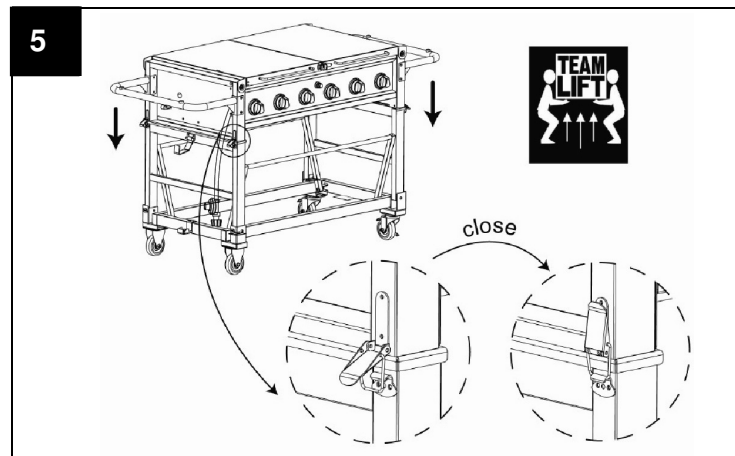
### Step 4

Turn the grill cart upside down. Open the left and right cart supporting legs and then open the horizontal front and rear bar support to hold the left and right supporting legs in position. Make sure the bolts at the opposite ends of the horizontal bars go into the locking holes of the legs. Also turn the gas tank holding hook outward.



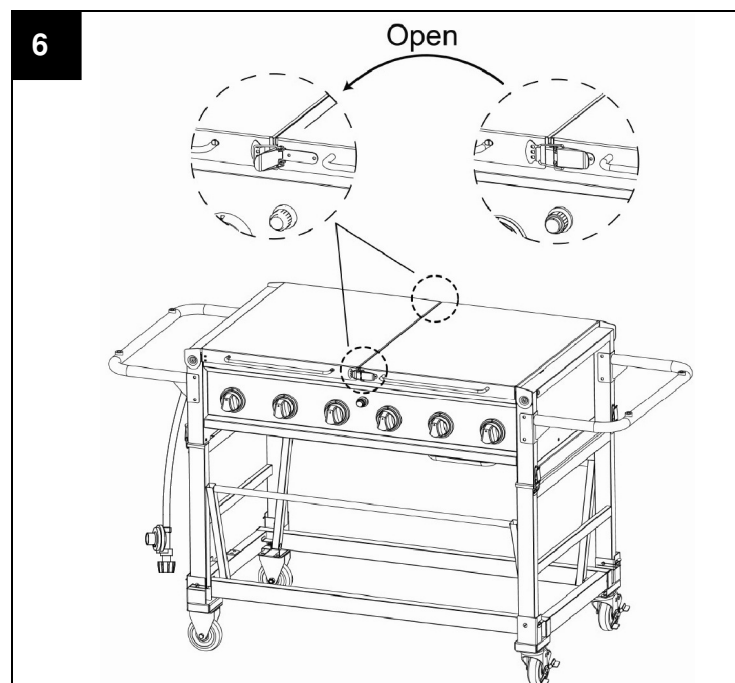
### Step 5

With the help of other people, place the grill body onto the cart. Make sure the latches on the four legs are tightly locked.



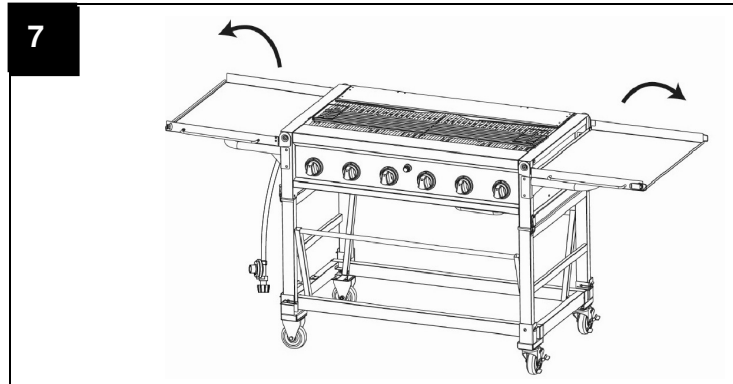
### Step 6

Unlock the latches on the front and rear of side shelves.



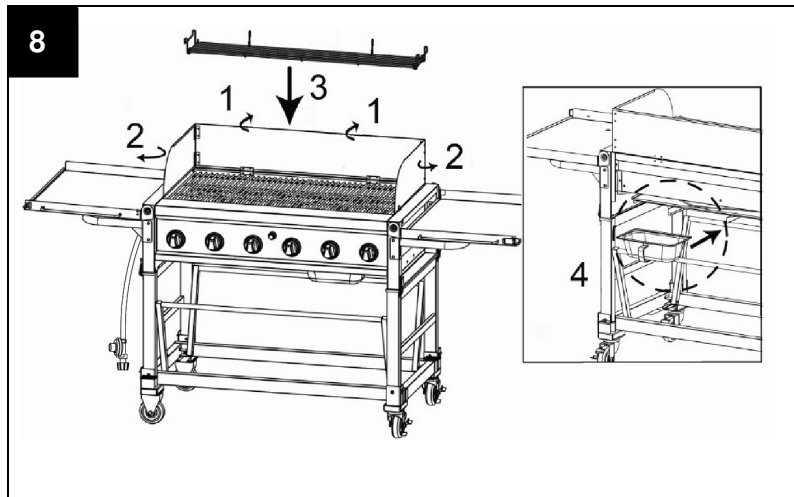
## Step 7

Open the side shelves.



## Step 8

1. Open the wind shield main panel.
2. Open the side wind shield.
3. Hang the warming rack (H) on the wind shield.
4. Place the grease cup into the bottom bracket of grease collecting pan.



## OPERATING INSTRUCTIONS

### LIGHTING INSTRUCTIONS

#### BEFORE LIGHTING

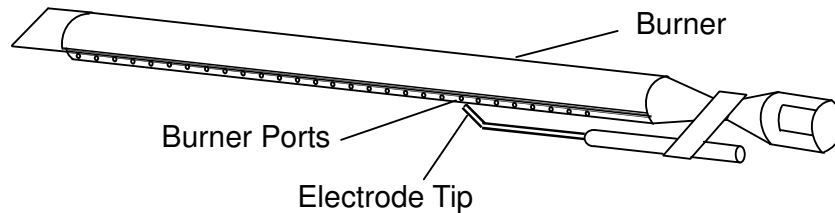


- Inspect the gas supply hose prior to turning the gas “ON”.
- If there is evidence of cuts, wear, or abrasion, it must be replaced prior to use.
- Do not use the grill if the odor of gas is present.
- Only the pressure regulator and hose assembly supplied with the unit should be used.
- Perform the “**LEAK TEST**” according to instructions before operating the grill.  
**ALWAYS** keep your face and body as far away from the burner as possible while lighting.

## Electrode Check

With the assistance of another person, perform this Electrode Check before proceeding.

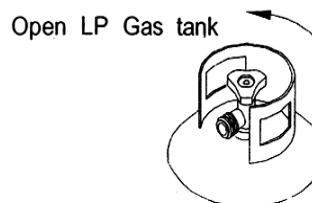
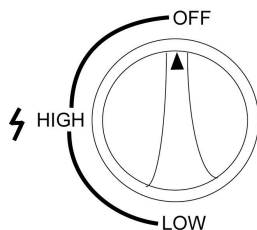
- This test will ensure that the Spark Electrode Tips are properly positioned so your grill lights easily and properly.



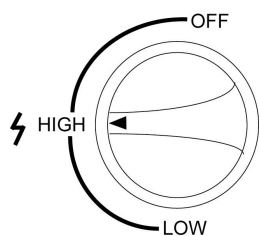
- Be sure all Control Knobs are set to “OFF” and open the Grill Lids.
- Have your assistant stand behind and to the left of the grill and look toward the front of the grill box. Never put your face inside the Grill Head.
- Press the Igniter Cap. You should hear a “clicking” sound. Your assistant should see a blue spark from Electrode Tips to the burner port; if a spark is present Electrode Tips are properly positioned.
- If no spark is seen, the ignition probe needs to be adjusted by using a collar to adjust the ignition probe so that it is pointing to the burner port.
- Recheck the Electrode; if no “clicking” sound is heard, check if (1) LR-6 /AA Battery is installed backwards, and (2) electric wires may be loose. Remove the Battery and inspect the Igniter Junction Box found behind the Control Panel and reconnect any loose wires.

## LIGHTING THE MAIN BURNER OF GRILL

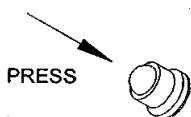
1. Before each use, check all hoses for cracks, nicks, cuts, burns or abrasions. If a hose is damaged in any way, do not use your grill before replacing the hose with an authorized part from the Parts List. Also make sure all gas supply connections are securely tightened.
2. For optimum performance this grill should be used only when outdoor temperatures are 60 degrees or above.
3. Familiarize yourself with the Safety and Use and Care instructions in this manual. Do not smoke while lighting grill or checking gas supply connections.
4. Be sure each LP Gas tank is filled, and lock Casters to prevent movement during grill operation.
5. Open the left and right Lids before lighting the grill.
6. Check that the end of each Burner Tube is properly located over each Valve Orifice.
7. Set all Control Knobs to OFF and open the propane gas tank valve SLOWLY 1/4 of a turn.



- Light the "IGNITION BURNER" first, push and turn the left Control Knob to HIGH position.

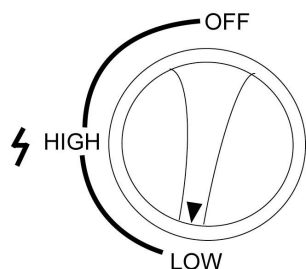


- Immediately press the Electric Igniter for 3-4 seconds to light the Burner.



- If ignition does not occur in 5 seconds, turn the "IGNITION BURNER" Control Knob and gas source OFF and conduct a leak test of ALL gas connections and gas sources as explained in the Use and Care section of this manual. If no leaks are detected, wait 5 minutes for any gas to clear and repeat the lighting procedure.

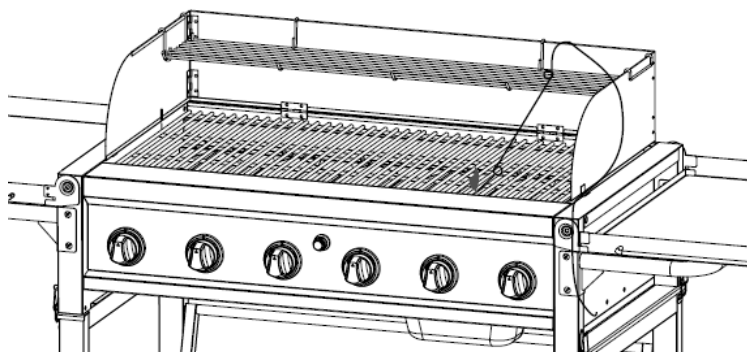
- After IGNITION BURNER is lit, turn the tank valve SLOWLY one more 1/4 of a turn for 1/2 of one complete turn.



- Once the IGNITION BURNER is lit, you light all the burners 3,2,1,5 and 6 in that order by turning its Control Knob to HIGH.

### LIGHTING USING MATCH LIGHT EXTENSION ROD

- Turn **OFF** all burner valves.
- Make sure the lid is open.
- Place a lighted match between the coils on the Match Holder and hold next to the burner.
- Turn the control knob(s) to the "HIGH" position. Burner should light immediately.
- If the burner does not light in 5 seconds turn the knob off, wait 5 minutes and repeat above procedures.



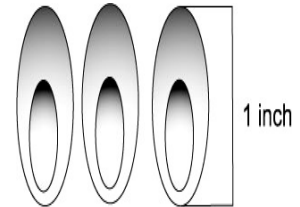


Keep your face and hands as far away from the grill as possible when lighting it.

## FLAME CHARACTERISTICS

This procedure outlines how to check for proper burner flame characteristics.

Burner flames should be blue and stable with little yellow tips, with no excessive noise, or lifting. If the flame is yellow, it indicates insufficient air. If the flame is noisy and tends to lift away from the burner, it indicates too much air. If any of these conditions exist call our customer service line.



Visually check the burner flames prior to each use. The flames should be look like this picture. If they do not, refer to the burner maintenance part of this manual.

## CARE AND MAINTENANCE

---

Before cleaning the grill, keep it in an area clear and free from combustible materials, gasoline and other flammable vapors and liquids.

### GRILL RACK

The easiest way to clean the grill is immediately after cooking is completed and after turning off the flame. Wear a barbeque mitt to protect your hand from the heat and steam. Dip a brass bristle barbeque brush in tap water and scrub the hot grill. Dip the brush frequently in the bowl of water. Steam, created as water hits the hot grill, assists the cleaning process by softening any food particles. The food particles will “fall off” and burn. If the grill is allowed to cool before cleaning, cleaning will be more difficult.

### GREASE TRAY

The grease tray should be emptied and wiped down periodically and washed with a mild detergent and warm water solution. A small amount of sand or cat litter may be placed in the bottom of grease tray to absorb the grease. Check the grease tray frequently. Don't allow excess grease to accumulate and overflow out of the grease tray.

### GRILL BURNERS

Extreme care should be taken when removing a burner as it must be correctly centered on the orifice before any attempt is made to re-light the grill. Frequency of cleaning will depend on how often you use the grill.

Spiders and small insects occasionally spin webs or make nests in the grill burner tubes during transit and warehousing. These webs can lead to gas flow obstruction which could result in a fire in and around burner tubes. This type of fire is known as flashback and can cause serious damage to your grill and create an unsafe operating condition for the user. Although an obstructed burner tube is not the only cause of flashback, it is the most common cause. To reduce the chance of flashback, you must clean the burner tubes before assembling your grill, and at least once a month in late summer or early fall when spiders are most active. Also, perform this burner tube cleaning procedure if your grill has not been used for an extended period of time.

You should inspect the burners at least once a year or immediately after any of the following conditions occur:

1. The smell of gas in conjunction with the burner flames appearing yellow.
2. The grill does not reach temperature.
3. The grill heats unevenly.
4. The burners make popping noises.



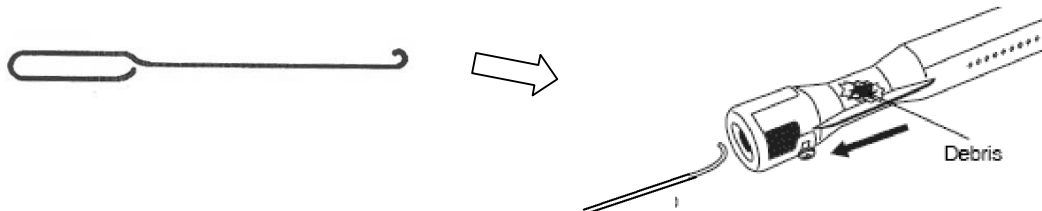
ENSURE that the gas supply and the knobs are in the “OFF” position.

### **Cleaning The Burner Tubes and Burner Ports**

To reduce the chance of **FLASHBACK FIRE** you must clean the Burner Tubes as follows at least once a month in summer and fall or whenever spiders are active in your area, and if your grill has not been used for an extended period on time.

1. Turn all Burner Valves to the full OFF position.
2. Turn the LP Gas tank valve to the full OFF position.
3. Detach the LP Gas regulator assembly from your gas grill.
4. Remove the Cooking Grids and Heat Diffusers.
5. Remove the cotter pin from the rear of each Burner.
6. Carefully lift each Burner up and away from the Gas Valve Orifice.
7. Check and clean burner/venturi tubes for insects and insect nests. A clogged tube can lead to a fire beneath the grill.
8. Refer to diagram below and perform one of these three cleaning methods:

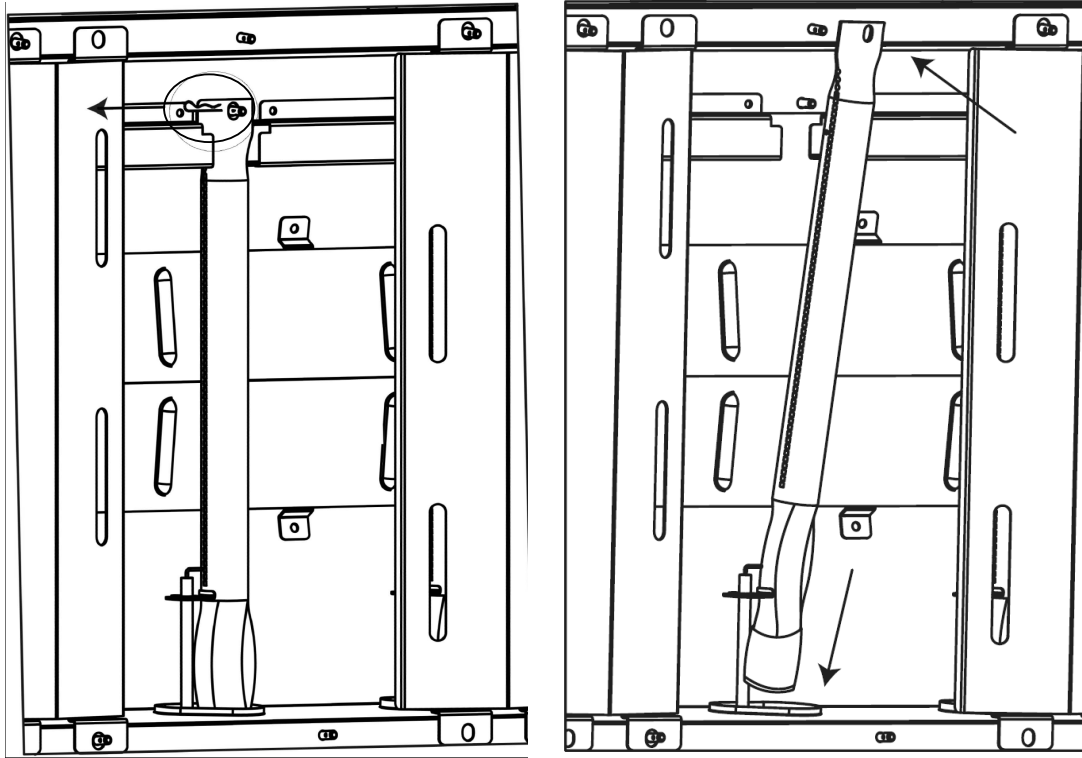
- **METHOD 1:** Bend a stiff wire or wire coat hanger into a small hook as shown and run the hook through each Burner Tube and inside the Burner several times to remove debris.



- **METHOD 2:** Use a bottle brush with a flexible handle and run the brush through each Burner Tube and inside the Burner several times to remove any debris.
- **METHOD 3:** Use an air hose to force air through each Burner Tube. The forced air should pass debris or obstructions through the Burner and out the Ports.

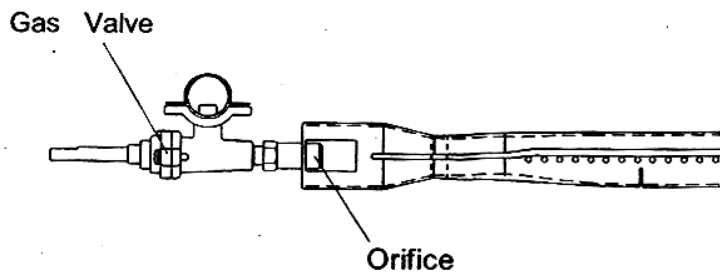
## BURNER REPLACEMENT

1. Remove the cotter pin from the burner holding pin.
2. Remove the burner as shown below.



### ⚠️ WARNING ⚠️

For safe operation ensure the Gas Valve Assembly Orifice is inside the Burner Tube before using your grill. See figure. If the Orifice is not inside the Burner Tube, lighting the Burner may cause explosion and/or fire resulting in serious bodily injury and/or property damage.



### ⚠️ CAUTION ⚠️

- Keep outdoor cooking gas appliance area clear and free from combustible materials, gasoline and other flammable vapors and liquids.
- Do not obstruct the flow of combustible and ventilation air.
- Keep the ventilation openings of the cylinder enclosure free and clear of debris. Check and clean burner/venturi tubes for insects and insect nests. A clogged tube can lead to a fire beneath the grill.

## TROUBLESHOOTING

### If the grill fails to light:

1. Turn gas off at source and turn Control Knobs to OFF. Wait at least five minutes for gas to clear, then retry.
2. If your grill still fails to light, check gas supply and connections.
3. Repeat lighting procedure. If your grill still fails to operate, turn the gas off at source, turn the Control Knobs to OFF, then check the following:

Problem	Possible Cause	Corrective Action
If the grill fails to light	Misalignment of Burner Tubes over Orifices.	Reposition Burner Tubes over Orifices.
	Obstruction in gas line	Remove fuel line from grill. Do not smoke! Open gas supply for one second to clear any obstruction from fuel line. Close off gas supply at source and reconnect fuel line to grill.
	Plugged Orifice	Remove the screw from the rear of each Burner using a Phillips Head Screwdriver. Remove the Orifice from gas valve and gently clear any obstruction with a fine wire. Then reinstall all Orifices, Burners, fixing bolts and cooking components. If an obstruction is suspected in Gas Valves or Manifold, call customer service.
	Obstruction in Burner Tubes	Follow the Burner Tube cleaning procedure on page 22 of this Operator's Manual.
	Misalignment of Igniter on Burner	Check for proper position of the Electrode Tip is pointing to a burner port. The gap between the Spark Electrode Tip and Spark Receiver should be approximately 3/16 in. Adjust if necessary. With the gas supply closed and all Control Knobs set to OFF press the Electric Igniter cap and check for the presence of a spark at the Electrode.
	Disconnected Electric Wires	Inspect the Igniter Junction Box Found behind the Control Panel. Connect loose Electric wires to Junction Box and try to light the grill.
	Weak AA battery	Unscrew the Igniter Cap and replace the battery.
If the grill still does not light	Blocking of gas line	You may need to purge air from the gas line or reset the regulator excess gas flow device. <b>Note:</b> This procedure should be done every time a new LP Gas tank is connected to your grill.



To purge air from your gas line and/or reset the regulator excess gas flow device:

- Turn Control Knobs to the OFF position.
- Turn off the gas at the tank valve.
- Disconnect regulator from LP Gas tank.
- Let unit stand 5 minutes to allow air to purge.
- Reconnect regulator to the LP Gas tank.
- Open the Grill Lids.
- Turn tank valve on SLOWLY 1/4 of a turn.
- Push and turn the middle Control Knob farthest from open tank to HIGH
- Press Electric Igniter for 3-4 seconds to light the burners.

 **WARNING** 

Should a FLASHBACK fire occur at or around the Burner Tubes, follow the instructions below. Failure to comply with these instructions could result in a fire or explosion that could cause serious bodily injury, death, or property damage.

- Shut off gas supply to the gas grill.
- Turn the Control Knobs to OFF position.
- Open the Grill Lids.
- Put out any flame with a Class B fire extinguisher.
- Once the grill has cooled down, clean the Burner Tubes according to the cleaning instructions in this Operator's Manual.

 **WARNING** 

Failure to comply with these instructions could result in a fire or explosion that could cause serious bodily injury, death or property damage.

- Keep grill area clear and free from combustible materials, gasoline and other flammable vapors and liquids.
- Do not obstruct the flow of air for combustion and ventilation.
- Keep the ventilation openings of the tank enclosure cabinet free and clear of debris.

## WARRANTY

Manufacturer warrants this product for the burner for 5 years and the replacement parts for 1 year from the date of purchase. Paint is not warranted and may require touch-up. Items considered to be consumable such as batteries are not covered under this warranty. For warranty questions or service, call our customer service department at 1-800-963-0211, 8 a.m. - 6 p.m., EST, Monday - Thursday; 8 a.m. - 5 p.m., EST, Friday.

This limited warranty is made exclusively to the original consumer presenting proof of purchase. This warranty is limited to non-commercial residential use only. Any returned goods must be shipped prepaid. This warranty does not cover normal wear and tear or damages resulting from abuse or misuse. This warranty excludes incidental or consequential cost due to damage or loss to persons or property of any nature.

**NOTICE: Some states do not allow the exclusion or limitation of incidental or consequential damages or limitations on how long an implied warranty lasts, so the above limitations or exclusions may not apply to you.**

This warranty gives you specific legal rights and you may also have other rights which may vary from state to state.

## REPLACEMENT PARTS LIST

For replacement parts, call our customer service department at 1-800-963-0211, 8 a.m. - 6 p.m., EST, Monday - Thursday; 8 a.m. - 5 p.m., EST, Friday.

Part	Description	Quantity
A1	Burner	6
A2	Ignition probe and wire	1
A3	Igniter	1
A4	Side shelves (left and right)	1
A5	Wind shield	1
B	Cart	1
C	Handle	2
D	Stationary caster	2
E	Universal caster	2
F	Heat diffuser	6
G	Cooking grid	3
H	Warming rack	1
J	Gas tank holder	1
K	Grease cup	1
L	Towel rack	2
M	Hardware	1
N	Knob	6
O	Regulator	1

Printed in China



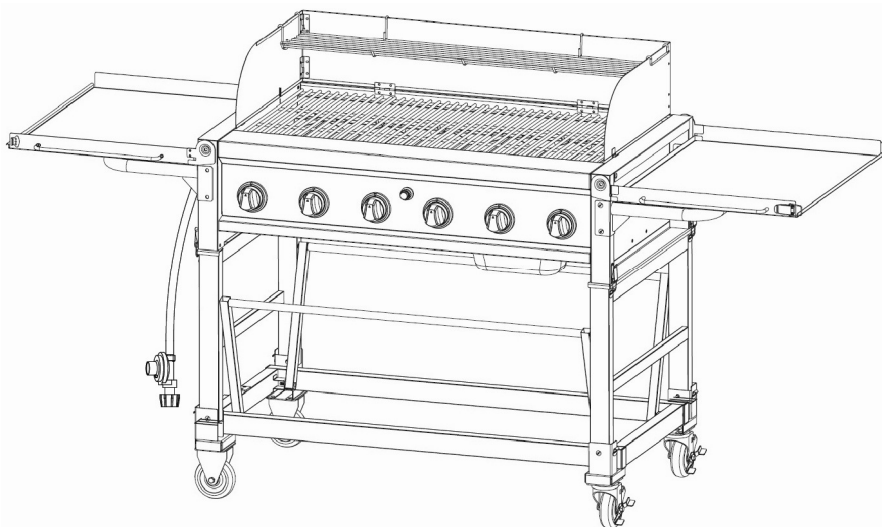
Master Forge & M Design® est une marque de commerce déposée de LF, LLC. Tous droits réservés.

ARTICLE #0340113

## BARBECUE À SIX BRÛLEURS EVENT

MODÈLE# GR2045401-MF-00 / GR2045402-MF-00

Français p. 27 - 53  
Español p. 54 - 79



### ⚠ DANGER ⚠

Si vous détectez une odeur de gaz:

1. Coupez l'alimentation en gaz de l'appareil.
2. Éteignez toute flamme nue.
3. Ouvrez le couvercle.
4. Si l'odeur persiste, tenez-vous loin de l'appareil et appelez immédiatement votre fournisseur de gaz ou le service d'incendie

Si ces directives ne sont pas suivies, un incendie ou une explosion pourrait survenir, risquant de causer des dommages matériels, des blessures ou la mort.

### ⚠ AVERTISSEMENT ⚠

1. Le gaz ou tout autre liquide ou vapeur inflammable ne doit pas être conservé ni utilisé près de cet appareil ni près de tout autre appareil.
2. Une bouteille de GPL qui n'est pas raccordée ne doit pas être conservée près de cet appareil ni de tout autre appareil

### ⚠ DANGER ⚠

**Pour usage extérieur seulement**

### ⚠ IMPORTANT ⚠

Veillez lire les consignes de sécurité, la section sur l'entretien du barbecue, les procédures de raccordement et de test de fuites, ainsi que les instructions pour l'allumage avant d'utiliser le barbecue la première fois,

- Ce manuel d'instruction contient des renseignements importants essentiels au bon assemblage et à l'utilisation sécuritaire de l'appareil.
- Lisez et respectez les avertissements et les instructions avant d'assembler et d'utiliser l'appareil.
- Respectez tous les avertissements et les instructions lorsque vous utilisez l'appareil.

Conservez ce manuel à titre de référence



**Des questions, des problèmes, des pièces manquantes?** Avant de retourner l'article au détaillant, appelez notre service à la clientèle au 1 800 963-0211, entre 8 h et 18 h (HNE), du lundi au jeudi, ou entre 8 h et 17 h (HNE), le vendredi

## TABLE DES MATIÈRES

Contenu de l'emballage.....	29
Liste de la quincaillerie .....	30
Consignes de sécurité .....	30
Préparation .....	31
Instructions pour l'assemblage .....	35
Instructions pour l'installation.....	38
Mode d'emploi .....	44
Entretien .....	47
Dépannage .....	50
Garantie .....	52
Liste des pièces de rechange .....	53

### **DANGER** :

Indique un danger imminent qui, s'il n'est pas évité, peut causer des blessures graves ou la mort.

### **AVERTISSEMENT** :

Signale la possibilité de blessures graves, si les directives ne sont pas suivies. Veuillez à bien lire et respectez tous les messages.

### **CAUTION** :

Indique un danger potentiel qui, s'il n'est pas évité, peut causer des blessures mineures ou modérément graves.

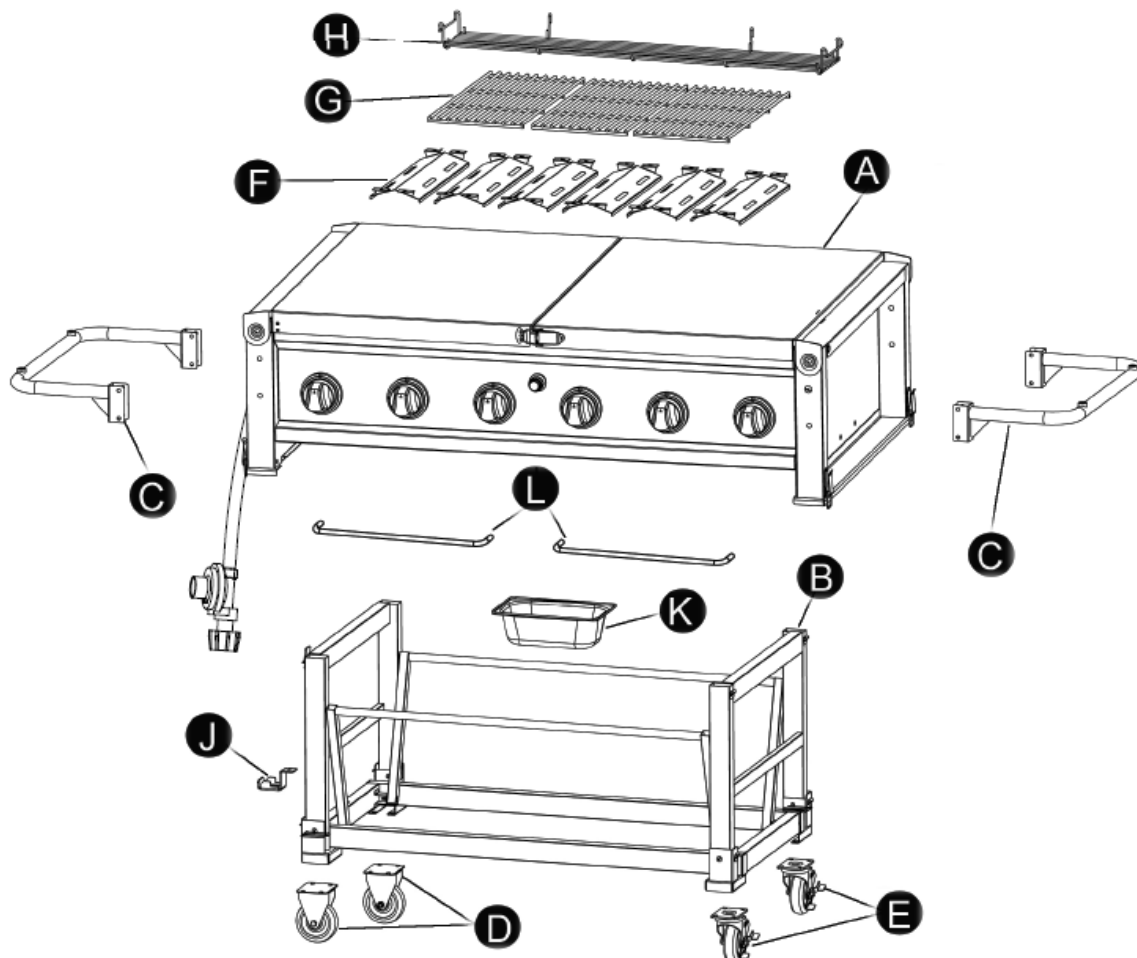
### **AVERTISSEMENT**

#### PROPOSITION 65 DE LA CALIFORNIE

1. Les sous-produits de combustion produits en employant ce produit contiennent des produits chimiques connus de l'état de la Californie pour causer le cancer, les défauts de naissance, et tout autre mal reproducteur.
2. Ce produit contient des produits chimiques, y compris le fil et les composés de plomb, savent à l'état de la Californie pour causer le cancer, les défauts de naissance ou tout autre mal reproducteur.

Lavez-vous les mains après manipulation de ce produit.

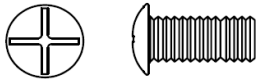
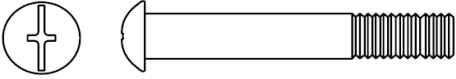
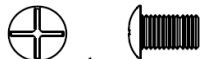

## CONTENU DE L'EMBALLAGE



Pièces	Description	Quantité
A	Corps du barbecue	1
B	Chariot	1
C	Poignée	2
D	Roulette fixe	2
E	Roulette pivotante	2
F	Diffuseur de chaleur	6

Pièces	Description	Quantité
G	Grille de cuisson	3
H	Grille de maintien au chaud	1
J	Support à bouteille de gaz	1
K	Gobelet ramasse-graisse	1
L	Porte-serviettes	2

## QUINCAILLERIE UTILISÉE

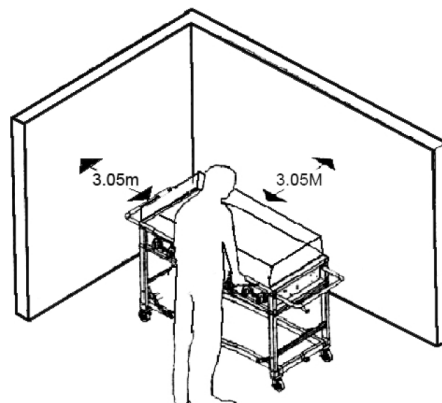
Quincaillerie	Description	Quantité	Illustration (grandeur réelle)
AA	Boulons M6 x 12	18	
BB	boulons d'étape M6	8	
CC	Boulons M5 x 8	4	
DD	Écrou M6	8	

## CONSIGNES DE SÉCURITÉ



### AVERTISSEMENT:

1. Cet appareil de cuisson au gaz doit être utilisé à l'extérieur seulement, et non dans un bâtiment, un garage ou tout autre espace fermé.
2. Cet appareil de cuisson au gaz n'est pas conçu pour être installé dans ou sur un bateau ou un véhicule récréatif.
3. Utilisez le barbecue À L'EXTÉRIEUR, dans un endroit bien aéré et loin de résidences ou d'autres bâtiments afin de prévenir les risques associés à l'accumulation de gaz et aux vapeurs toxiques. Le barbecue ne doit pas être à moins de 3,05 m (10 pi) des bâtiments. Ne pas respecter ces consignes de dégagement entravera l'aération adéquate et pourrait augmenter le risque d'incendie et de dommage matériel, ce qui pourrait causer des blessures.
4. Ne placez pas le barbecue à moins 3,05 m (10 pi) d'une rampe de terrasse, de murs ou de tout autre matériau inflammable. N'utilisez PAS le barbecue sous une construction combustible non protégée.
5. N'obstruez PAS l'entrée d'air pour la combustion et la ventilation.
6. NE laissez PAS le barbecue sans surveillance lorsqu'il fonctionne.
7. N'utilisez PAS le barbecue sous l'effet de drogues ou de l'alcool.
8. Gardez le tuyau d'alimentation en gaz à distance des surfaces chauffées
9. NE déplacez PAS le barbecue, même pour le ranger, après l'avoir utilisé. Attendez qu'il soit froid au toucher avant de le déplacer ou de le ranger. Le non respect de ces directives peut causer des dommages matériels, des blessures ou la mort.
10. Cet appareil est conçu pour un usage domestique seulement. N'utilisez PAS ce



- barbecue pour un usage autre que celui auquel il est destiné.
11. N'utilisez jamais du gaz naturel dans un appareil conçu pour le gaz propane liquide.
  12. N'utilisez jamais de briquettes de charbon ou de bois dans un barbecue à gaz. Les copeaux de bois aromatisants doivent être dans une boîte à fumage en métal afin de recueillir les cendres et de prévenir les incendies.
  13. Des tests pour détecter une éventuelle fuite doivent être effectués avant chaque utilisation.
  14. Ayez à proximité un extincteur adapté pour les feux de gaz. Renseignez-vous auprès des autorités locales quant à la taille et au type adéquats d'extincteur.
  15. Le barbecue devient chaud quand il fonctionne. Afin d'éviter les brûlures:
    - NE déplacez PAS le barbecue.
    - Verrouillez les roues pour que l'appareil ne se déplace pas accidentellement.
    - Portez des gants protecteurs ou des gants de cuisine.
    - NE touchez à AUCUNE surface chaude du barbecue.
  16. NE portez PAS de vêtements amples et NE laissez PAS des cheveux entrer en contact avec le barbecue.

## PRÉPARATION

Avant de commencer l'assemblage du produit, assurez-vous d'avoir toutes les pièces. Comparez les pièces dans l'emballage avec la liste et le tableau ci-dessus. S'il y a des pièces manquantes ou endommagées, ne tentez pas d'assembler le produit.

Communiquez avec le service à la clientèle pour obtenir des pièces de rechange.

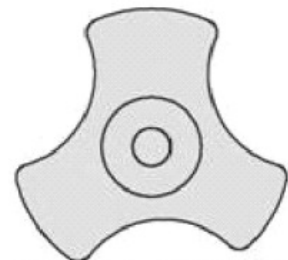
Temps d'assemblage approximatif : Moins de 30 minutes.

Outils nécessaires : Pincés (non incluses, tournevis cruciforme (non inclus). Clé à molette (non incluse).

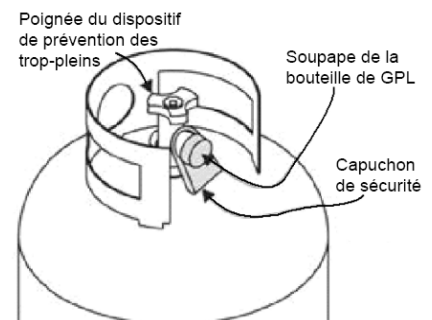
### Le robinet de la bouteille de gaz de pétrole liquide (GPL)

doit être conforme aux directives suivantes:

- Il doit comporter un orifice de sortie de type 1 compatible avec le régulateur ou l'appareil.
- Il doit comporter une soupape de sécurité.
- Le robinet doit avoir un dispositif de prévention des trop-pleins homologué UL. Ce dispositif de sécurité est doté d'une poignée triangulaire exclusive. La bouteille doit absolument être équipée de ce type de robinet.
- La bouteille de pétrole liquéfié doit avoir un dispositif d'évacuation des vapeurs.  
La bouteille de GPL doit être fabriquée et identifiée conformément aux normes du Department of Transportation (DOT) des États-Unis pour ce type de contenants ou à la Norme nationale du Canada et aux instructions CAN/CSA-B339, « Bouteilles et tubes utilisés pour le transport des marchandises dangereuses », s'il y a lieu.
- La bouteille de GPL doit comporter un manchon protecteur pour le robinet.
- La bouteille de GPL doit être entreposée à l'extérieur et hors de la portée des enfants. Elle NE doit PAS être entreposée dans un bâtiment, un garage, un cabanon, un



Poignée du dispositif de prévention des trop-pleins



passage recouvert ou dans tout autre espace fermé. La bouteille ne peut être entreposée à l'intérieur **UNIQUEMENT** si elle a été débranchée et retirée de l'appareil.

- La bouteille doit **TOUJOURS** être placée en position verticale.

### **AVERTISSEMENT**

Mettez le capuchon protecteur sur le tuyau de sortie du robinet de la bouteille lorsque celle-ci n'est pas utilisée. Utilisez seulement le type de capuchon protecteur fourni avec le tuyau de sortie du robinet de la bouteille. D'autres types de capuchon ou de bouchon peuvent laisser fuir le propane.

### **DANGER**

- NE branchez **PAS** le barbecue à un robinet de bouteille #510 POL à filetage renversé déjà existant. Le robinet de type 1 est identifiable grâce au gros filetage extérieur sur sa sortie.
- NE raccordez **PAS** une bouteille de GPL qui dépasse cette capacité.
- NE raccordez **PAS** une bouteille dotée d'un autre type de dispositif de raccordement du robinet.
- Ne placez jamais une bouteille de gaz de pétrole liquéfié de rechange sous le barbecue ou à proximité de celui-ci. Le cas contraire, la pression pourrait être évacuée à travers le robinet de dégazage, ce qui peut causer un incendie, une explosion, des blessures graves ou la mort.
- Veillez à ce que les orifices d'aération de la bouteille de GPL soient dégagés et exempts d'obstructions et de débris.
- N'insérez **AUCUN** objet étranger dans la sortie du robinet. Il pourrait en résulter des dommages au dispositif de non-retour. Un dispositif de non-retour endommagé peut causer une fuite qui peut provoquer une explosion, un incendie, des blessures graves ou la mort.

### **AVERTISSEMENT**

#### **REPLISSAGE DE LA BOUTEILLE DE GPL**

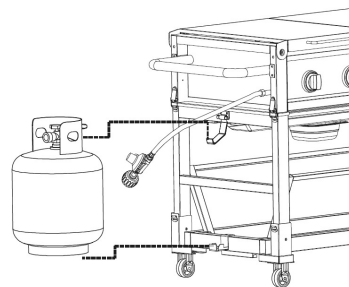
- Seuls des vendeurs de GPL qualifiés peuvent remplir et réparer adéquatement votre bouteille de GPL.
- La bouteille **NE** doit **PAS** être remplie à plus de 80 % de sa capacité. Des bouteilles trop remplies engendrent des situations dangereuses. Ces bouteilles peuvent accumuler de la pression faisant en sorte que le robinet de dégazage expulse des vapeurs de gaz propane. La vapeur est combustible et, en cas de contact avec une étincelle ou une flamme, une explosion pourrait survenir et causer des brûlures graves, des blessures ou la mort.
- Placez toujours le capuchon de sécurité quand le barbecue n'est pas raccordé à la bouteille.

Si vous échangez une bouteille dans le cadre d'un programme d'échange reconnu, assurez-vous que la bouteille est munie d'un robinet de type 1 et d'un dispositif de prévention des trop-pleins.



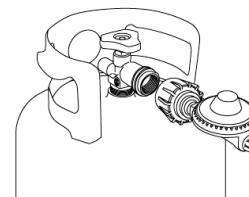
## INSTALLATION DE LA BOUTEILLE DE GPL

1. Vérifiez que le robinet de la bouteille est fermé en le tournant dans le sens des aiguilles d'une montre.
2. Posez la bouteille dans son support situé dans l'armoire inférieure.
3. Dirigez la bouteille de manière à ce que l'ouverture du robinet soit face aux brûleurs avant et à ce que les tuyaux ne soient pas coincés ni endommagés.
4. Le régulateur ne doit être fixé à la bouteille ou en être retiré que lorsque la bouteille est placée dans son support.



## PROCÉDURE DE RACCORDEMENT

1. Veillez à ce que le robinet de la bouteille soit fermé en tournant le robinet dans le sens des aiguilles d'une montre.
2. Vérifiez que le filetage externe du robinet est mâle.
3. Assurez-vous que tous les boutons de réglage des brûleurs sont fermés (**OFF**).
4. Vérifiez les raccords des robinets, l'orifice et l'assemblage du régulateur. Vérifiez qu'il n'y a aucun dommage ni débris. Retirez tout débris. Vérifiez que le tuyau n'a subi aucun dommage. N'utilisez jamais un appareil endommagé ou obstrué. Contactez votre vendeur de GPL pour les réparations.
5. Au moment de raccorder l'assemblage du régulateur au robinet, serrez à fond et à la main l'écrou d'accouplement rapide dans le sens des aiguilles d'une montre. N'utilisez pas de clé pour serrer l'écrou. Utiliser une clé pourrait endommager l'écrou, ce qui pourrait mener à des situations dangereuses.
6. Ouvrez complètement le robinet de la bouteille (dans le sens contraire des aiguilles d'une montre). Avant d'allumer le barbecue, vérifiez si les raccords présentent des fuites à l'aide d'eau savonneuse (voir ci-dessous). Si vous trouvez une fuite, fermez le robinet de la bouteille. N'utilisez pas le barbecue avant qu'un vendeur de GPL ait effectué les réparations nécessaires.



## Débranchement de la bouteille de GPL:

### **AVERTISSEMENT**

- Si le barbecue n'est pas en marche, l'alimentation en gaz doit être coupée. On ne peut entreposer le barbecue que si la bouteille est débranchée et retirée de l'appareil.
  - Les bouteilles doivent être entreposées à l'extérieur et hors de la portée des enfants. Elles NE doivent PAS être entreposées dans un bâtiment, un garage ou tout autre espace fermé.
1. Fermez les boutons de réglage des brûleurs.
  2. Fermez complètement le robinet de la bouteille (dans le sens des aiguilles d'une montre).
  3. Enlevez l'assemblage du régulateur de la bouteille en tournant l'écrou d'accouplement rapide dans le sens contraire des aiguilles d'une montre.

## CAUTION

- Lorsque vous installez les bouteilles de gaz, vous devez utiliser le régulateur de pression et l'assemblage du tuyau qui sont fournis avec le produit. Si vous devez remplacer le régulateur de pression et l'assemblage du tuyau, utilisez les pièces de rechange spécifiées par le fabricant du barbecue.
- Mettez le capuchon protecteur sur le tuyau de sortie du robinet de la bouteille lorsque celle-ci n'est pas utilisée. Utilisez seulement le type de capuchon protecteur fourni avec le tuyau de sortie du robinet de la bouteille. D'autres types de capuchon ou de bouchon peuvent laisser fuir le propane.

## TEST DE FUTES

Bien que tous les raccords des tuyaux du barbecue servant à la circulation du gaz aient été vérifiés avant l'expédition, une vérification complète de l'étanchéité doit être effectuée à l'endroit de l'installation étant donné les déplacements possibles durant l'expédition, l'installation ou une pression excessive sur l'appareil difficile à observer.

Vérifiez périodiquement l'étanchéité du système en suivant le processus ci-dessous. Dès que vous détectez une odeur de gaz, vérifiez immédiatement le système au complet afin de repérer les fuites.

## AVANT DE TESTER

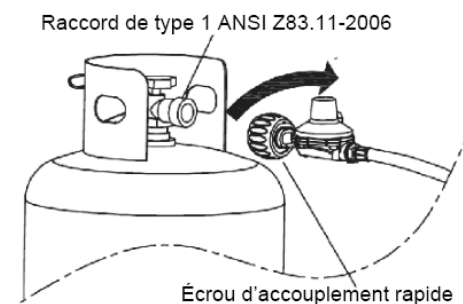
- Veillez à ce que tous les matériaux d'emballage soient retirés du barbecue, y compris les sangles de retenue des brûleurs.
- Préparez une solution savonneuse en mélangeant une part de détergent liquide et une part d'eau. Vous pouvez appliquer la solution savonneuse sur les tuyaux et les raccords en vous servant d'un flacon pulvérisateur, d'une brosse ou d'un linge. Assurez-vous que la bouteille de GPL est pleine pour effectuer le premier test de fuites.

## AVERTISSEMENT

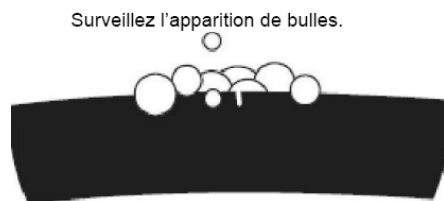
- NE FUMEZ PAS PENDANT LE TEST DE FUTES
- N'EFFECTUEZ JAMAIS UN TEST DE FUTES EN PRÉSENCE D'UNE FLAMME NUE
- S'il y a des signes d'abrasion ou d'usure excessives ou si le tuyau est entaillé, ce dernier doit être remplacé avant toute utilisation. Le tuyau de rechange doit être celui spécifié par le fabricant.

## EFFECTUER LE TEST

1. Assurez que les vannes de régulation sont à la position « OFF », puis ouvrez l'alimentation en gaz.
2. Vérifiez tous les raccords qui partent de la bouteille, du régulateur et du robinet d'alimentation jusqu'à, inclusivement, tous les branchements au tuyau qui se rend aux brûleurs (le diagramme montre l'endroit où la solution savonneuse doit être appliquée). Des bulles de savon se formeront s'il y a une fuite.



3. S'il y a une fuite, coupez immédiatement l'alimentation en gaz et serrez les raccords qui présentent une fuite.
4. Rouvrez l'alimentation en gaz et revérifiez.
5. S'il y a des signes d'abrasion ou d'usure excessives ou si le tuyau est entaillé, le barbecue doit être remplacé avant toute utilisation. L'assemblage du tuyau de recharge doit être celui spécifié par le fabricant. Communiquez avec le service à la clientèle au 1 800 963 0211, entre 8 h et 18 h (HNE), du lundi au jeudi, ou entre 8 h et 5 h (HNE), le vendredi.



## INSTRUCTIONS POUR L'ASSEMBLAGE

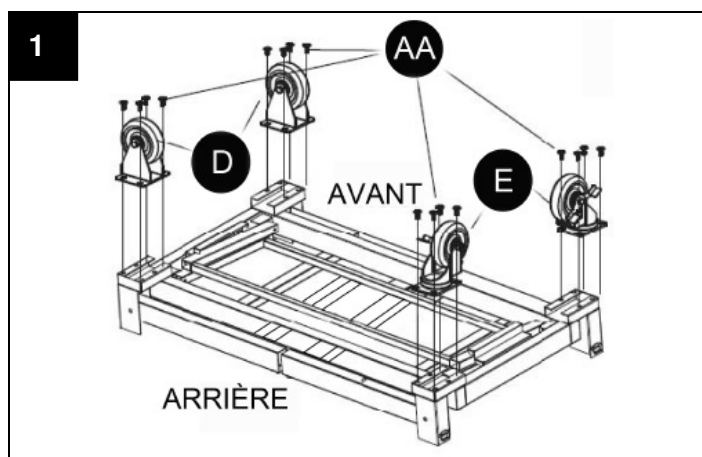
**Symbole :** Vous pourriez avoir besoin d'aide pour faire certaines étapes.



### Étape 1

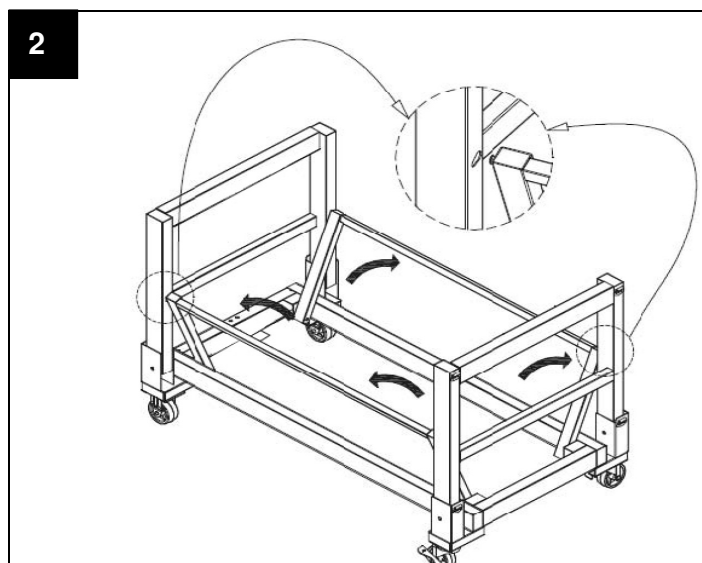
Assemblez les roulettes fixes (D) et les roulettes pivotantes (E) au chariot du barbecue à l'aide de boulons (AA).

#### QUINCAILLERIE UTILISÉE



### Étape 2

Mettez le chariot du barbecue dans l'autre sens. Ouvrez les pieds de soutien de gauche et de droite du chariot, puis ouvrez la barre de soutien horizontale à l'avant et à l'arrière afin de maintenir les pieds de soutien gauche et droite en position. Assurez-vous que les boulons aux extrémités des barres horizontales s'insèrent dans les trous de verrouillage des pieds, conformément au diagramme.

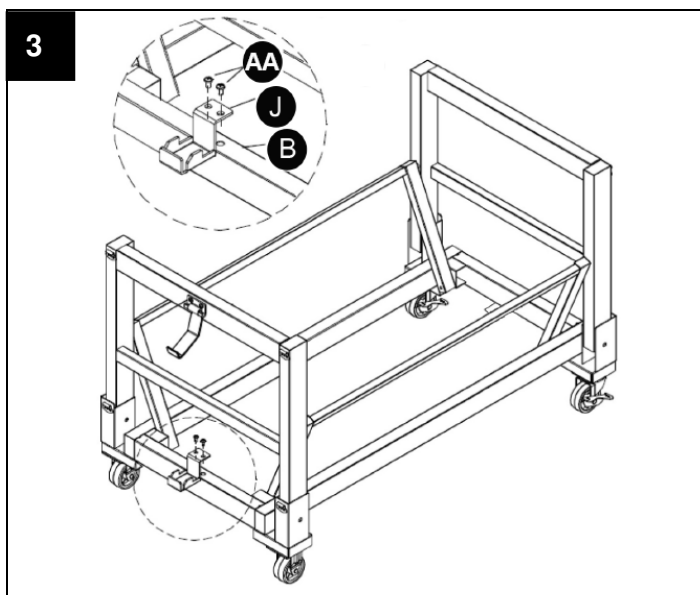


### Étape 3

Fixez le support de la bouteille de gaz (J) au côté gauche du chariot (B) à l'aide de boulons (AA).

#### QUINCAILLERIE UTILISÉE

**AA** Boulons M6 x 12 x 2

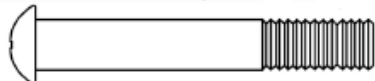


### Étape 4

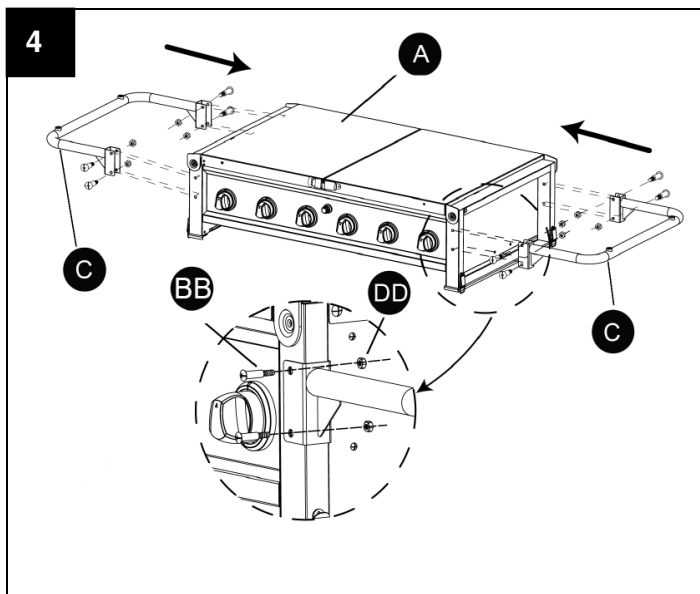
Posez les poignées (C) sur le corps du barbecue (A) à l'aide de boulons (BB) et d'écrous (DD).

#### QUINCAILLERIE UTILISÉE

**BB** Boulons d'étape M6 x 8



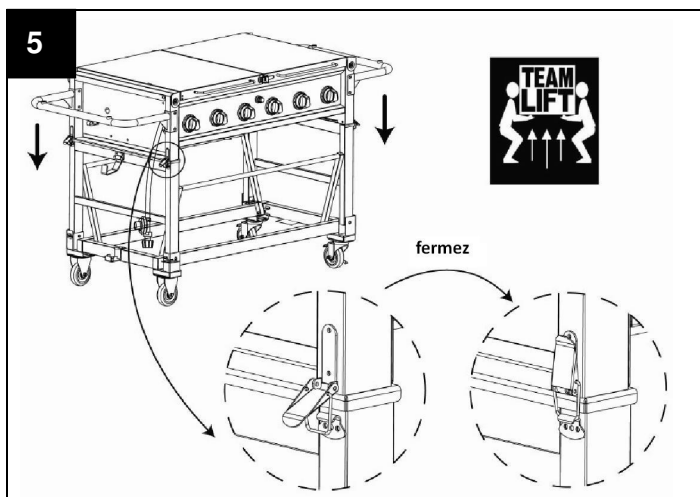
**DD** Écrou M6 x 8



### Étape 5

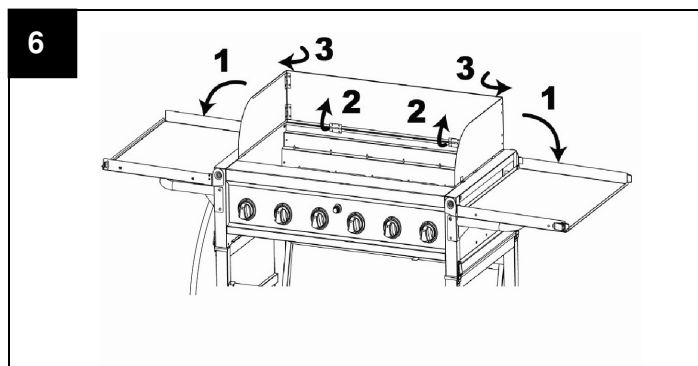
Avec l'aide d'autres personnes, placez le corps du barbecue sur le chariot du barbecue.

Veillez à ce que les quatre loquets sur les pieds et le corps du barbecue soient enclenchés fermement.



### Étape 6

1. Relevez les plateaux.
2. Ouvrez le pare-vent.
3. Ouvrez les pare-vent latéraux.

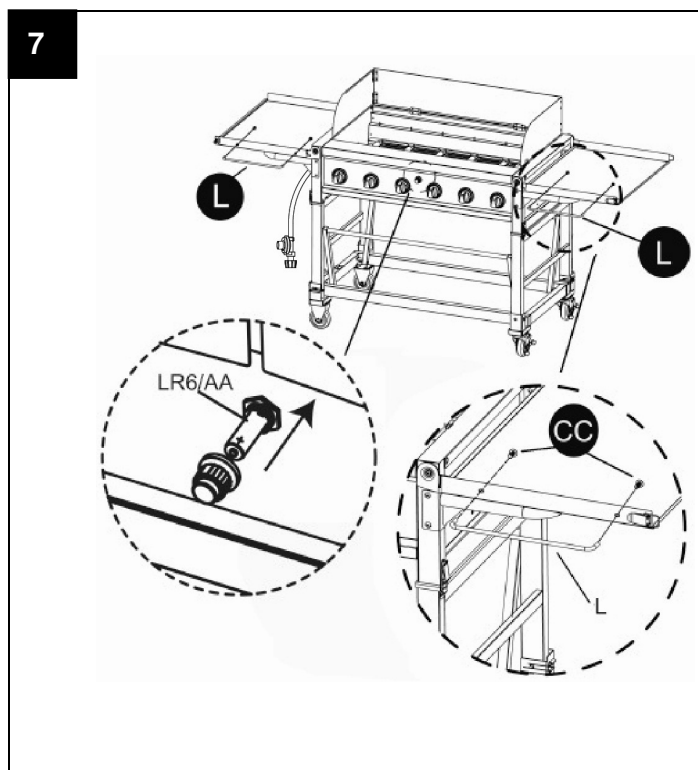



### Étape 7

1. Assemblez les porte-serviettes (L) sur les plateaux latéraux à l'aide de boulons (CC).
2. Installez une batterie de LR6/AA sur la bougie.

#### QUINCAILLERIE UTILISÉE

**CC** Boulons M5 x 8 x 4

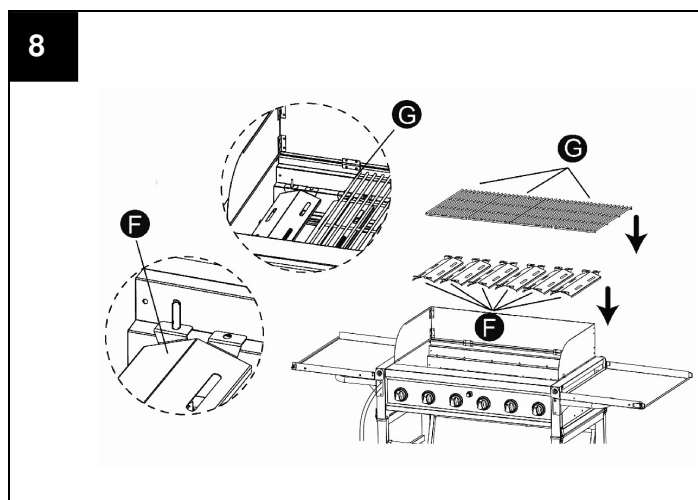


### Étape 8

Placez le diffuseur de chaleur (F) sur le corps du barbecue.

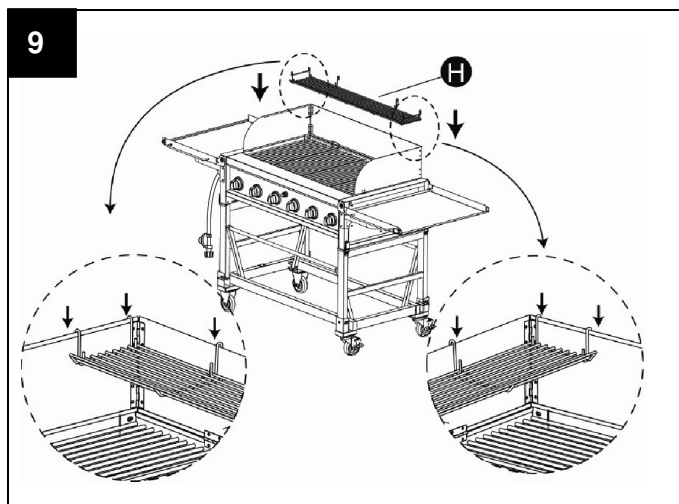
Assurez-vous que la cheville verticale passe dans les trous du diffuseur (F).

Placez ensuite la grille de cuisson (G) sur le corps du barbecue.



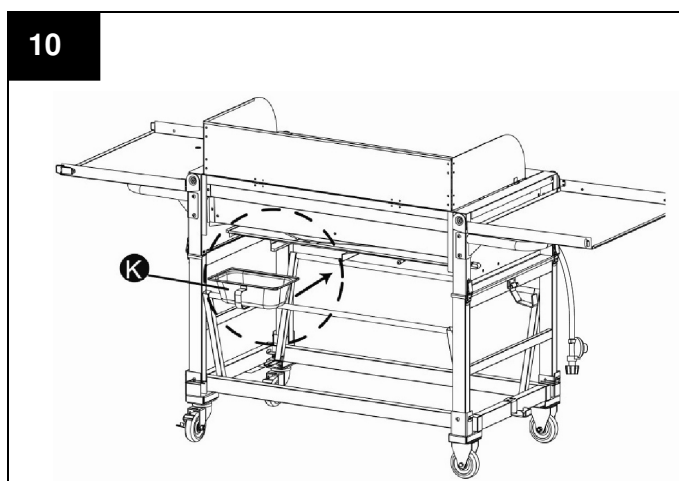
## Étape 9

Fixez la grille de maintien au chaud (H) sur le pare-vent.



## Étape 10

Placez le bac ramasse-graisse (K) dans le support du bas de la cuvette à graisse.



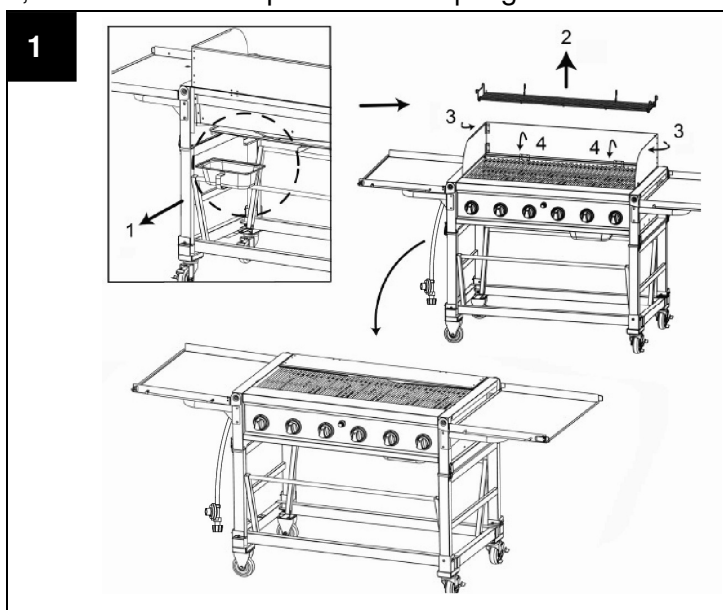
## INSTRUCTIONS POUR L'INSTALLATION

### Processus de pliage

Lorsque le barbecue n'est pas utilisé, veuillez suivre le processus de pliage ci-dessous.

### Étape 1

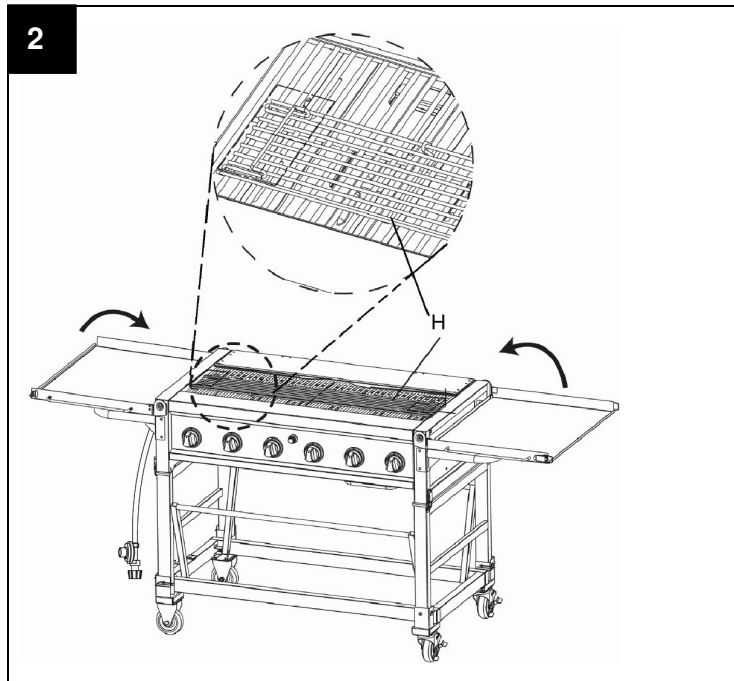
1. Retirez le bac ramasse-graisse de la cuvette à graisse.
2. Retirez la grille de maintien au chaud.
3. Fermez les pare-vent latéraux.
4. Fermez le pare-vent.



## Étape 2

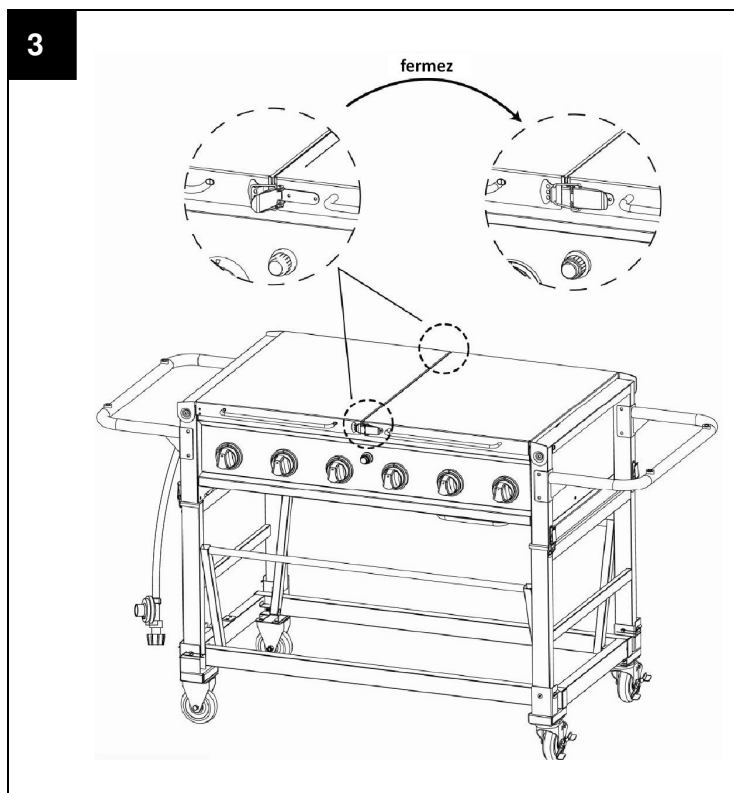
Mettez la grille de maintien au chaud à l'envers, les crochets vers le bas. Placez-la ensuite sur la partie avant de la grille de cuisson, les crochets à l'intérieur de la grille.

Repliez les plateaux latéraux de gauche et de droite.



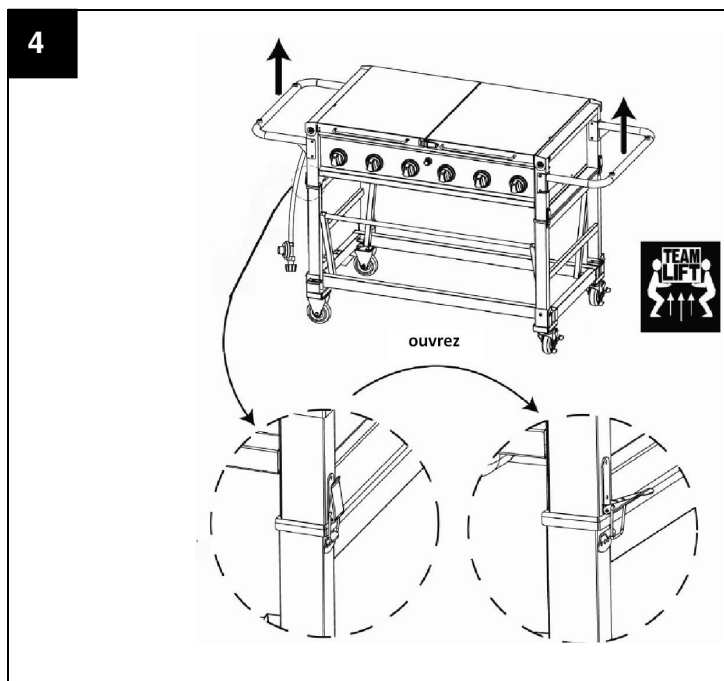
## Étape 3

Lorsque les plateaux latéraux sont repliés, fermez les loquets à l'avant et à l'arrière de ceux-ci.



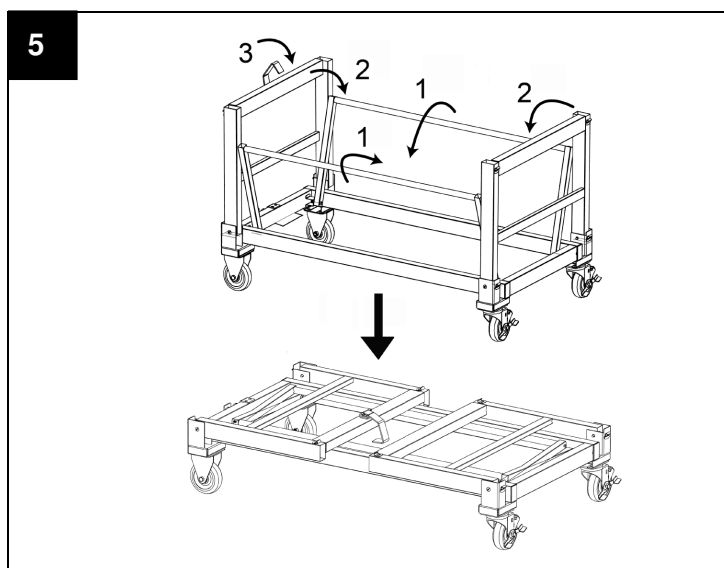
#### Étape 4

Ouvrez les loquets des quatre pieds. Avec l'aide d'autres personnes, soulevez le corps du barbecue et retirez-le du chariot du barbecue; placez-le sur une surface plate et rigide.



#### Étape 5

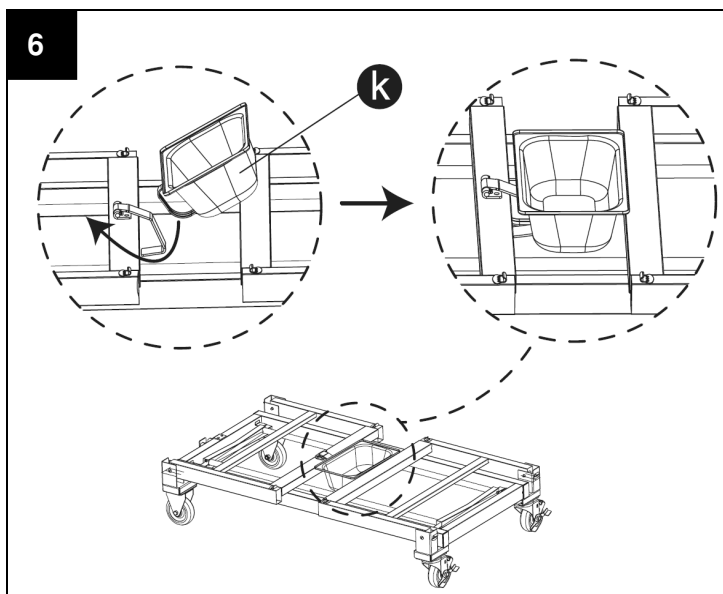
1. Dégagez les barres avant et arrière et laissez-les reposer sur le chariot du barbecue.
2. Rabattez les pieds de gauche et de droite du chariot du barbecue.
3. Assurez-vous que le crochet de la bouteille de gaz est également rentré dans le chariot du barbecue.





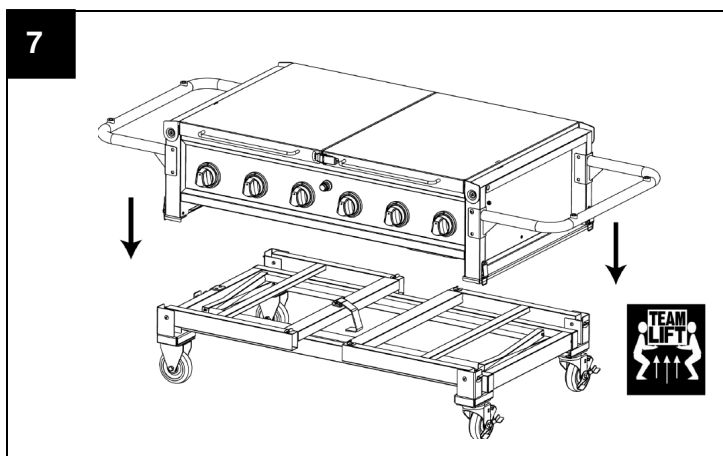
### Étape 6

Placez le récipient à graisse sur le plateau du grill, comme le montre l'illustration.



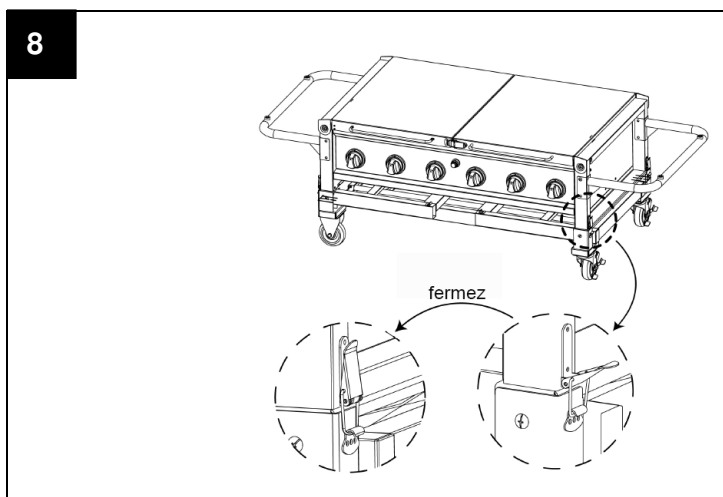
### Étape 7

Avec l'aide d'autres personnes, remplacez le corps du barbecue sur le chariot du barbecue.



### Étape 8

Verrouillez fermement les quatre loquets du chariot du barbecue au corps du barbecue.

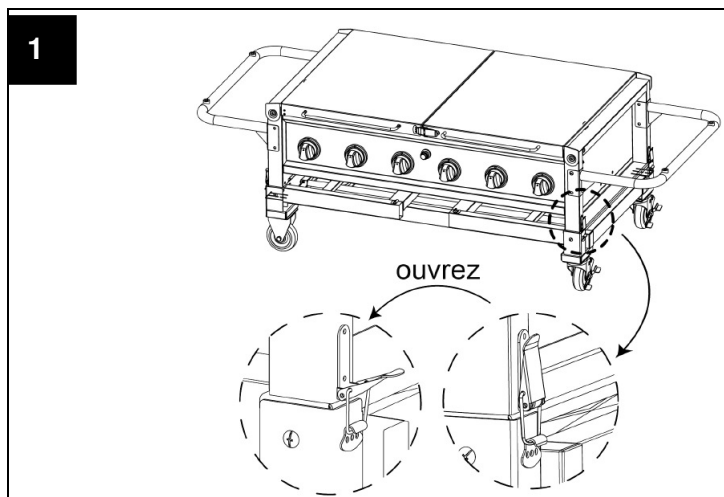


## Processus de dépliage

Pour déplier le barbecue, veuillez suivre le processus ci-dessous.

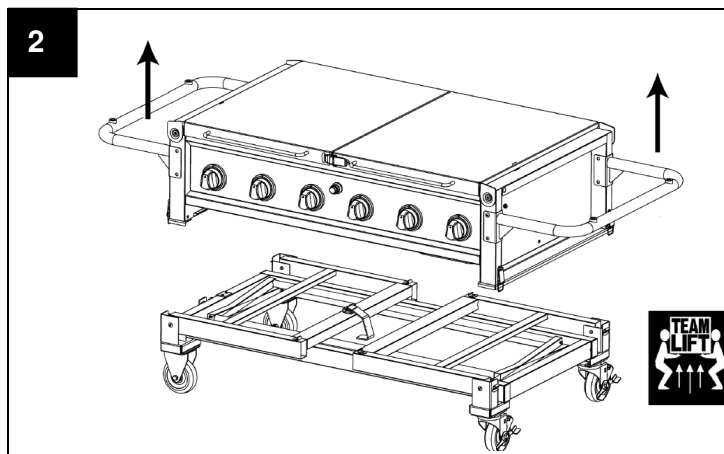
### Étape 1

Ouvrez les quatre loquets du chariot du barbecue.



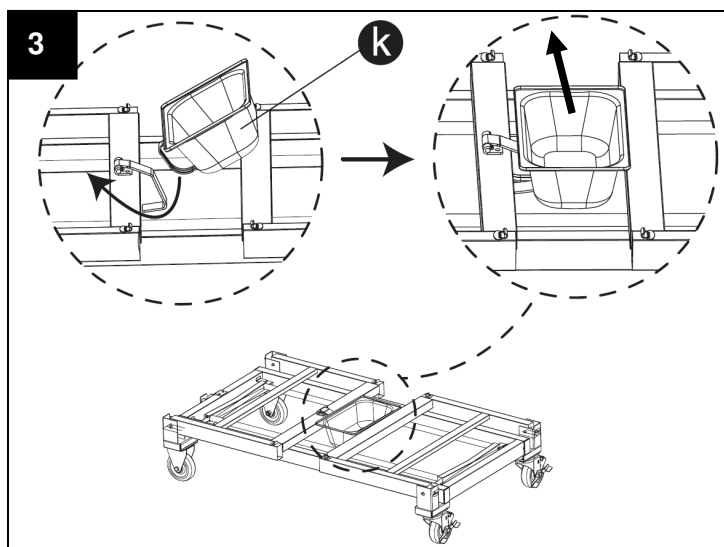
### Étape 2

Avec l'aide d'autres personnes, soulevez le corps du barbecue et retirez-le du chariot du barbecue. Placez-le sur une surface plate et rigide.



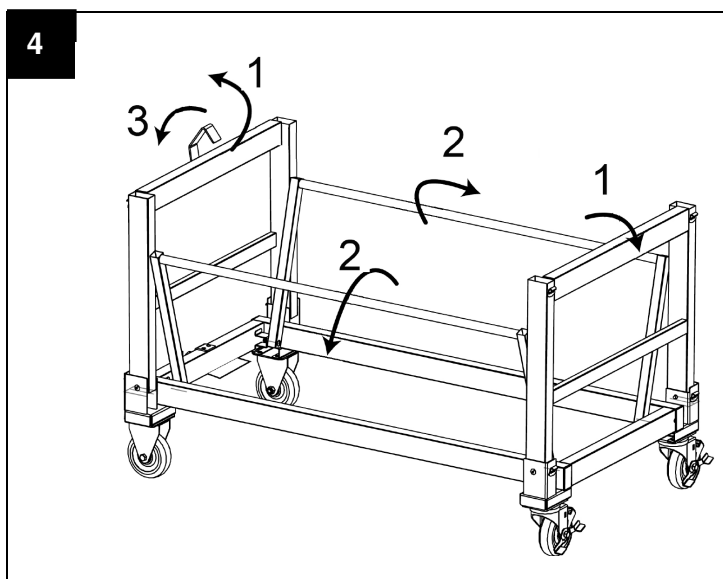
### Étape 3

Retirez le récipient à graisse du plateau du gril.



#### Étape 4

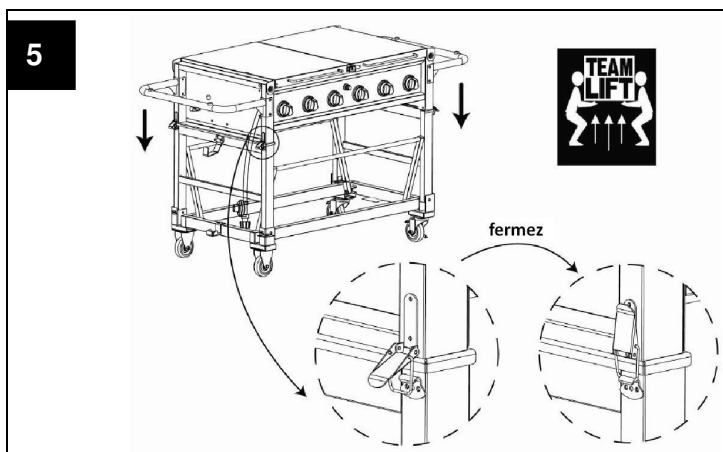
Mettez le chariot du barbecue à l'envers. Ouvrez les pieds de soutien de gauche et de droite du chariot, puis ouvrez la barre de soutien horizontale à l'avant et à l'arrière afin de maintenir les pieds de soutien gauche et droite en position. Assurez-vous que les boulons aux extrémités des barres horizontales s'insèrent dans les trous de verrouillage des pieds. Tournez également le crochet de soutien de la bouteille de gaz vers l'extérieur.



#### Étape 5

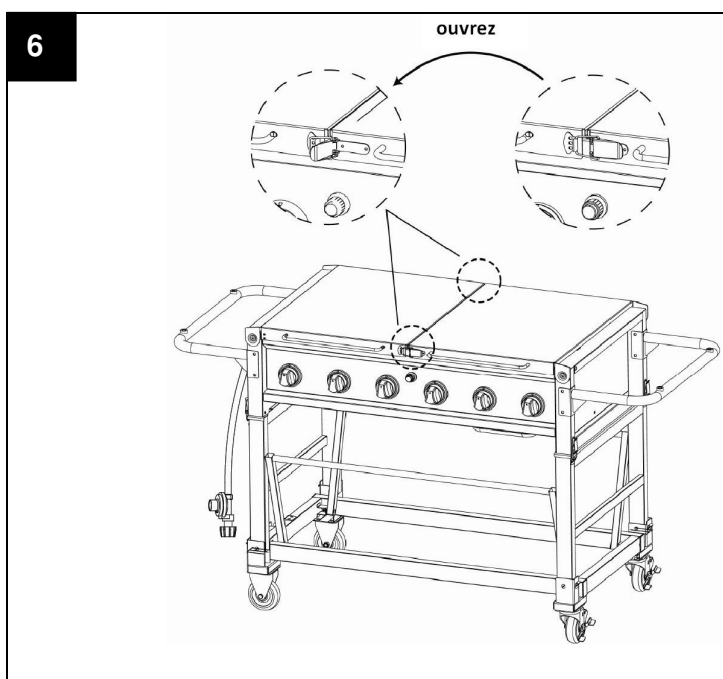
Avec l'aide d'autres personnes, placez le corps du barbecue sur le chariot du barbecue.

Veillez à ce que les loquets sur les pieds et le corps du barbecue soient enclenchés fermement.



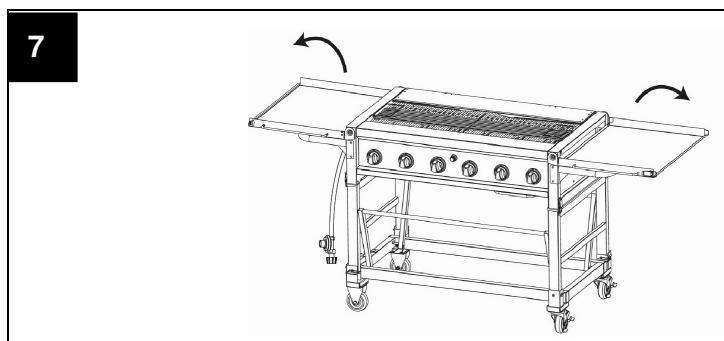
#### Étape 6

Ouvrez les loquets à l'avant et à l'arrière des plateaux latéraux.



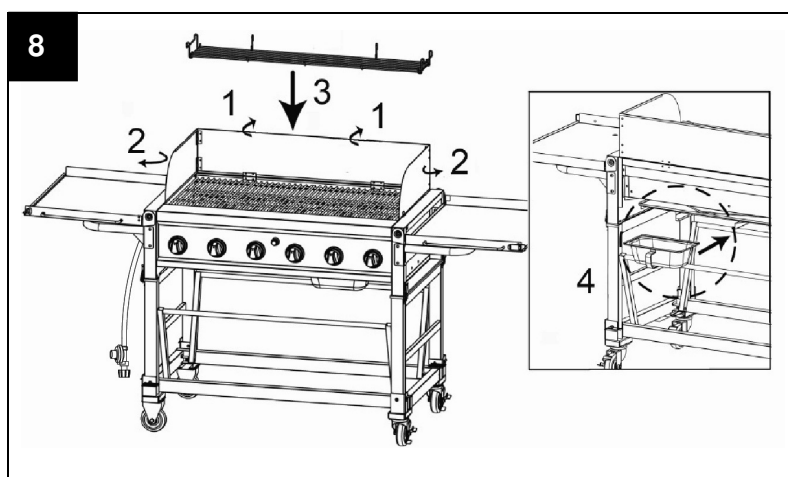
## Étape 7

Relevez les plateaux.



## Étape 8

1. Ouvrez le pare-vent principal.
2. Ouvrez les pare-vent latéraux.
3. Fixez la grille de maintien au chaud (H) sur le pare-vent.
4. Placez le bac ramasse-graisse dans le support du bas de la cuvette à graisse.



## MODE D'EMPLOI

### INSTRUCTIONS POUR L'ALLUMAGE AVANT D'ALLUMER

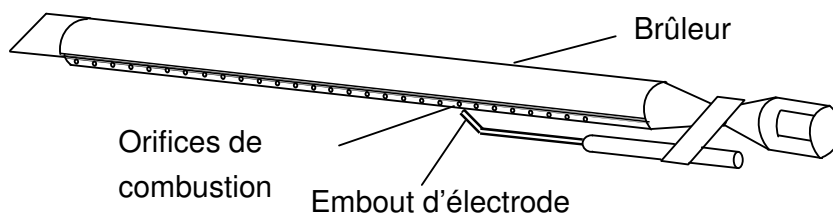
#### **AVERTISSEMENT**

- Inspectez le tuyau d'alimentation en gaz avant d'OUVRIRE le gaz.
- S'il y a des signes d'entailles, d'usure ou d'abrasion, il doit d'abord être remplacé.
- N'utilisez pas le barbecue s'il y a une odeur de gaz.
- Il faut uniquement utiliser le régulateur de pression et l'assemblage du tuyau qui sont fournis avec le produit.
- Effectuez un « **ESSAI D'ÉTANCHÉITÉ** » conformément aux instructions avant d'utiliser le barbecue.  
Gardez **TOUJOURS** votre visage et votre corps aussi éloignés que possible du brûleur pendant l'allumage.

### Vérification des électrodes

Avec l'aide d'une autre personne, effectuez la vérification des électrodes avant de continuer.

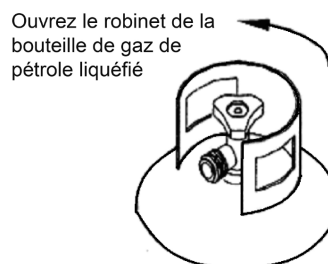
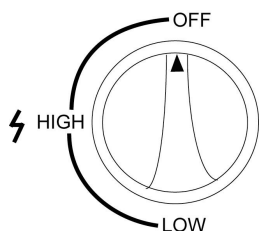
- Cet essai permettra d'assurer que l'embout des électrodes est placé correctement afin que le barbecue puisse être allumé facilement et correctement.



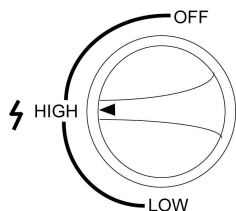
- Vérifiez que tous les boutons de commande sont à la position OFF et ouvrez le couvercle du barbecue.
- Demandez à la personne qui vous aide de se placer derrière le barbecue à gauche, et de regarder vers l'avant du corps du barbecue. Ne mettez jamais votre tête à l'intérieur du barbecue.
- Appuyez sur le bouton d'allumage. Vous devriez entendre un déclic. Votre assistant devrait voir une étincelle bleue entre l'embout des électrodes et l'orifice de combustion. S'il y a une étincelle, cela indique que les embouts des électrodes sont bien placés.
- S'il n'y a aucune étincelle, la tige d'allumage doit être réglée à l'aide d'un manchon, de manière à ce qu'elle soit dirigée vers l'orifice de combustion.
- Vérifiez l'électrode de nouveau. Si vous n'entendez pas de déclic, vérifiez si (1) la pile LR-6/AA est à l'envers et si (2) les fils électriques sont débranchés. Retirez la pile et inspectez la boîte de jonction d'allumage qui se trouve derrière le panneau de contrôle et raccordez les fils au besoin.

## ALLUMER LE BRÛLEUR PRINCIPAL DU BARBECUE

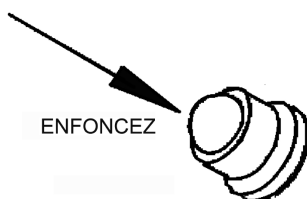
1. Avant chaque utilisation, vérifiez la présence de craquelures, de coupures, d'entailles, de brûlures ou d'abrasions sur chaque tuyau. Si un tuyau est endommagé d'une quelconque manière, n'utilisez pas votre barbecue tant que vous n'avez pas remplacé le tuyau par une pièce autorisée de la Liste des pièces. Assurez-vous de plus que tous les raccords de l'alimentation en gaz sont bien serrés.
2. Pour un rendement maximal, ce barbecue doit uniquement être utilisé lorsque la température extérieure est égale ou supérieure à 15,5 °C.
3. Familiarisez-vous avec les instructions relatives à la sécurité, à l'utilisation et à l'entretien dans le présent guide. Ne fumez pas lorsque vous allumez le barbecue ou vérifiez les raccords de l'alimentation en gaz.
4. Assurez-vous que la bouteille de propane liquéfié est remplie et que les roulettes sont verrouillées afin d'éviter tout déplacement pendant l'utilisation du barbecue.
5. Ouvrez les couvercles de droite et de gauche avant d'allumer le barbecue.
6. Vérifiez que l'embout du tube de chaque brûleur est placé correctement par-dessus chaque orifice du robinet de gaz.
7. Fermez tous les boutons de commande (OFF) et ouvrez LENTEMENT le robinet de la bouteille de gaz propane un quart de tour.



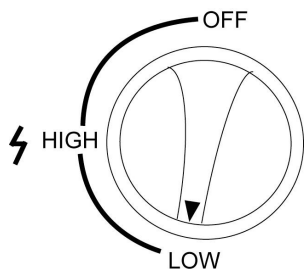
8. Allumez le "BRÛLEUR D'ALLUMAGE" en premier : appuyez sur le bouton de commande de gauche et tournez-le en position élevée "HIGH".



9. Appuyez immédiatement sur le bouton d'allumage électrique et maintenez-le enfoncé de trois à quatre secondes pour allumer le brûleur.



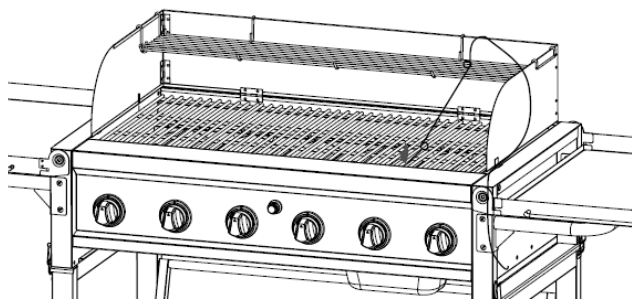
10. Si l'allumage ne se produit pas dans les 5 secondes qui suivent, tournez le bouton de commande du "BRÛLEUR D'ALLUMAGE" en position d'arrêt "OFF", fermez l'approvisionnement en gaz et procédez à un test d'étanchéité de TOUS les raccordements et sources de gaz, tel qu'expliqué dans la section Utilisation et entretien de ce manuel. Si aucune fuite n'est constatée, attendez 5 minutes pour permettre au gaz de se dissiper et répétez la procédure d'allumage.
11. Lorsque le BRÛLEUR D'ALLUMAGE est allumé, tournez LENTEMENT le robinet du réservoir d'un quart de tour additionnel pour en arriver à la moitié d'un tour complet.



12. Une fois le BRÛLEUR D'ALLUMAGE allumé, vous pouvez allumer les brûleurs 3, 2, 1, 5 et 6 dans cet ordre en tournant les boutons de contrôle correspondants en position élevée "HIGH".

### ALLUMAGE À L'AIDE D'UNE ALLUMETTE FIXÉE À LA TIGE D'ALLUMAGE

1. Tournez tous les boutons de réglage des brûleurs à la position **OFF**.
2. Assurez-vous que le couvercle est ouvert.
3. Placez une allumette enflammée dans le ressort du support à allumettes et tenez-la près du brûleur.



4. Tournez le bouton de commande jusqu'à la position HIGH. Le brûleur devrait s'allumer immédiatement.
5. Si le brûleur ne s'allume toujours pas après cinq secondes, tournez le bouton de commande à la position OFF, attendez cinq minutes et répétez le processus ci-dessus.

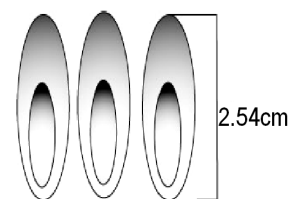


Gardez votre visage et vos mains les plus éloignés possible du barbecue durant l'allumage.

## CARACTÉRISTIQUES DE LA FLAMME

Ce processus explique comment vérifier si les caractéristiques de la flamme du brûleur sont adéquates.

La flamme du brûleur doit être bleue et stable avec de petites pointes jaunes, mais sans bruit excessif ni élévation. Une flamme jaune indique un manque d'air. Si la flamme est bruyante ou s'éloigne du brûleur, cela indique qu'elle a trop d'air. Si vous constatez une de ces situations, téléphonez à notre service à la clientèle



Examinez les flammes du brûleur à chaque utilisation. Les flammes devraient ressembler à cette image. Si ce n'est pas le cas, consultez la partie du guide portant sur l'entretien du brûleur.

## ENTRETIEN

Avant de nettoyer le barbecue, assurez-vous que l'espace autour de celui-ci est propre et exempt de matériaux combustibles, d'essence et d'autres vapeurs ou liquides inflammables.

## GRILLE DU BARBECUE

Le moyen le plus facile de nettoyer la grille est d'effectuer le nettoyage immédiatement après la fin de la cuisson et lorsque la flamme est éteinte. Portez un gant de barbecue pour protéger votre main de la chaleur et de la vapeur. Trempez une brosse en laiton pour barbecue dans l'eau du robinet et frottez la grille de cuisson chaude. Trempez fréquemment la brosse dans un bol d'eau. La vapeur qui effleure la grille chaude facilite le processus de nettoyage en amollissant les particules de nourriture. Les particules de nourriture finissent par tomber et par brûler. Le nettoyage est plus difficile lorsque le barbecue est refroidi.

## BAC RAMASSE-GRAISSE

Le bac ramasse-graisse doit être vidé et essuyé périodiquement, et il doit être lavé avec un détergent doux et de l'eau tiède. Vous pouvez mettre une petite quantité de sable ou de litière au fond du bac afin d'absorber la graisse. Vérifiez fréquemment le bac ramasse-graisse. Ne laissez pas la graisse s'accumuler et déborder du bac.

## BRÛLEURS DU BARBECUE

Soyez très vigilant lorsque vous retirez un brûleur, car il doit être centré correctement sur

l'orifice avant toute nouvelle tentative pour allumer le barbecue. La fréquence du nettoyage varie selon la fréquence d'utilisation du barbecue.

Il arrive que des araignées tissent des toiles et que de petits insectes fassent des nids dans les tubes des brûleurs du barbecue pendant le transport ou l'entreposage. Cela peut bloquer le passage du gaz, ce qui peut causer un feu à l'intérieur des tubes des brûleurs et autour de ceux-ci. Ce type de feu est appelé un « retour de flamme » et peut gravement endommager votre barbecue et créer un état de fonctionnement dangereux pour l'utilisateur.

Bien qu'un tube de brûleur obstrué ne soit pas la seule cause des retours de flamme, elle demeure la cause la plus courante. Pour réduire les risques d'un retour de flamme, vous devez nettoyer les tubes des brûleurs avant d'assembler le barbecue, et au moins une fois par mois à la fin de l'été ou au début de l'automne lorsque les araignées sont les plus actives. Vous pouvez également suivre ce processus de nettoyage si votre barbecue n'a pas servi pendant un certain temps.

Vous devriez inspecter les brûleurs au moins une fois par année ou immédiatement si l'un des événements suivants se produit:

1. Il y a une odeur de gaz lorsque les flammes du brûleur sont jaunes.
2. Le barbecue n'atteint pas la température souhaitée.
3. La chaleur n'est pas répartie uniformément.
4. Les brûleurs émettent des bruits de craquement.



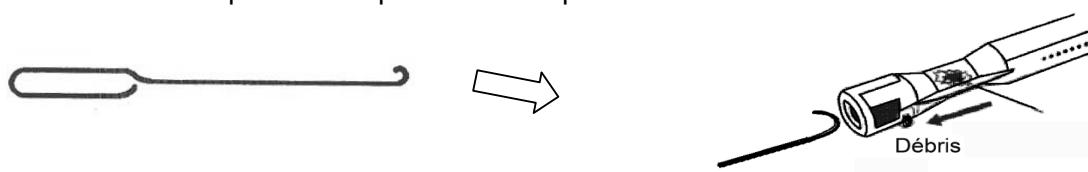
### AVERTISSEMENT

ASSUREZ-VOUS que les boutons de commande et le robinet d'alimentation en gaz sont à la position OFF.

### Nettoyer les tubes et les orifices des brûleurs

Pour réduire les risques d'un **RETOUR DE FLAMME**, vous devez nettoyer les tubes des brûleurs selon le processus décrit ci-dessous au moins une fois par mois en été et en automne, ou lorsque les araignées sont particulièrement actives dans votre région, et lorsque votre barbecue n'a pas servi pendant un certain temps.

1. Tournez tous les boutons de réglage du robinet du brûleur à la position OFF.
2. Fermez complètement le robinet de la bouteille de gaz de pétrole liquéfié.
3. Détachez l'ensemble du régulateur de gaz du barbecue.
4. Retirez les grilles de cuisson et les diffuseurs de chaleur.
5. Retirez la goupille fendue à l'arrière de chaque brûleur.
6. Soulevez chacun des brûleurs avec soin et éloignez-les de l'orifice du robinet de gaz.
7. Vérifiez et nettoyez le brûleur et les tubes de venturi pour enlever les insectes et les nids d'insectes. Un tube obstrué peut causer un feu sous le barbecue.
8. Consultez le diagramme ci-dessous et employez l'une des trois méthodes de nettoyage suivantes:
  - **MÉTHODE 1** : Pliez un fil métallique rigide ou un cintre en métal en forme de petit crochet comme l'illustre l'image, et passez le crochet dans chaque tube de brûleur et à l'intérieur de chaque brûleur plusieurs fois pour en retirer les débris.

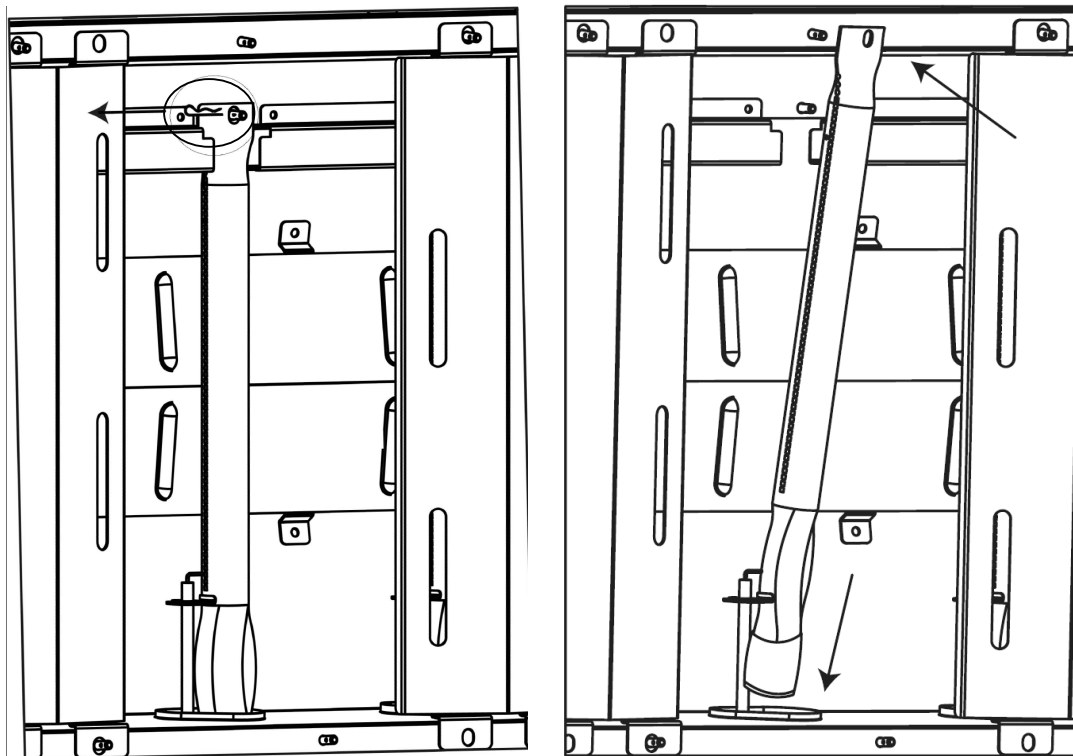




- MÉTHODE 2 : Utilisez un goupillon à manche souple et passez-le plusieurs fois dans chaque tube de brûleur et à l'intérieur des brûleurs pour nettoyer les débris.
- MÉTHODE 3 : Servez-vous d'un tuyau à air pour forcer un jet d'air dans le tube de chaque brûleur. Le jet d'air devrait déloger les débris ou les corps étrangers qui sortiront par les brûleurs et les orifices de combustion.

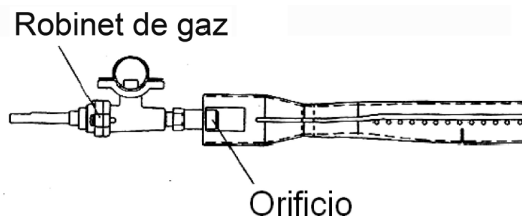
## EMPLACEMENT D'UN BRÛLEUR

1. Retirez la goupille fendue de l'attache 2. Retirez le brûleur conformément à l'illustration ci-dessous.



### ⚠ AVERTISSEMENT ⚠

Pour une utilisation en toute sécurité, assurez-vous que l'orifice de l'assemblage du robinet de gaz est situé à l'intérieur du tube du brûleur avant d'utiliser le barbecue. Consultez l'illustration. Si l'orifice n'est pas à l'intérieur du tube du brûleur, l'allumage du brûleur pourrait causer une explosion ou un feu entraînant des blessures graves ou des dommages aux biens.





## CAUTION

- Gardez l'endroit autour de l'appareil de cuisson extérieur au gaz dégagé de tout matériau combustible, essence et autres vapeurs et liquides inflammables.
- N'entravez pas le flux d'air de combustion et de ventilation.
- Maintenez libre de tous débris les orifices d'aération entourant la bouteille. Vérifiez et nettoyez le brûleur et les tubes de venturi pour enlever les insectes et les nids d'insectes. Un tube obstrué peut causer un feu sous le barbecue.

## DÉPANNAGE

### Si le barbecue ne s'allume pas:

1. Fermez l'alimentation en gaz à la source et mettez les boutons de commande à la position OFF. Laissez le gaz se dissiper pendant au moins cinq minutes, puis essayez de nouveau.
2. Si le barbecue ne s'allume toujours pas, vérifiez l'alimentation en gaz et les raccords.
3. Répétez le processus d'allumage. Si le barbecue ne s'allume toujours pas, fermez la source d'alimentation en gaz, mettez les boutons de commande à OFF, et vérifiez ce qui suit:

Problème	Cause possible	Mesure corrective
Si le barbecue ne s'allume pas	Les tubes du brûleur sont mal alignés avec les orifices.	Remplacez les tubes du brûleur au-dessus des orifices.
	La conduite de gaz est obstruée	Retirez la conduite de gaz du barbecue. Ne fumez pas à proximité du produit. Ouvrez l'alimentation en gaz pendant une seconde pour déloger tout ce qui pourrait obstruer la conduite de gaz. Fermez l'alimentation en gaz à la source et raccordez la conduite de gaz au barbecue.
	L'orifice est bouché	Retirez les vis situées à l'arrière de chaque brûleur à l'aide d'un tournevis cruciforme. Retirez l'orifice du robinet de gaz et délogez avec soin toute obstruction à l'aide d'un fil métallique mince. Réinstallez ensuite les orifices, les brûleurs, les boulons et les éléments de cuisson. Si vous pensez que le robinet de gaz ou le collecteur est obstrué, téléphonez au service à la clientèle.
	Les tubes du brûleur sont obstrués	Suivez le processus de nettoyage des tubes de brûleurs à la page 48 du présent manuel d'utilisation.
	L'allumeur est mal aligné avec le brûleur	Vérifiez que l'embout de l'électrode est dirigé vers l'orifice du brûleur. L'écart entre l'embout de l'électrode à étincelle et le récepteur d'étincelle doit être d'environ 5 mm. Réglez l'écart au besoin. Lorsque l'alimentation en gaz est fermée et que tous les boutons de commande sont à la position

		OFF, appuyez sur le bouton d'allumage électrique et vérifiez s'il y a une étincelle à l'électrode.
	Les fils électriques sont débranchés	Inspectez la boîte de jonction d'allumage derrière le panneau de contrôle. Raccordez les fils électriques débranchés à la boîte de jonction et essayez d'allumer le barbecue.
	La pile AA est faible	Dévissez le bouton d'allumage et remplacez la pile.
Si le barbecue ne s'allume toujours pas	La conduite de gaz est bloquée	Vous devrez peut-être purger l'air de la conduite de gaz ou réinitialiser le dispositif de réglage d'excès de débit de gaz. <b>Remarque :</b> Vous devez suivre ce processus chaque fois qu'une nouvelle bouteille de propane liquéfié est raccordée au barbecue.

Pour purger l'air de la conduite de gaz ou pour réinitialiser le dispositif de réglage d'excès de débit de gaz:

- Tournez les boutons de commande en position d'arrêt OFF.
- Fermez complètement le robinet de la bouteille de gaz.
- Débranchez le régulateur de la bouteille de gaz de pétrole liquéfié.
- Laissez l'appareil pendant cinq minutes afin d'en purger l'air.
- Rebranchez le régulateur à la bouteille de gaz de pétrole liquéfié.
- Ouvrez les couvercles du barbecue.
- Tournez le robinet de la bouteille LENTEMENT un quart de tour.
- Enfoncez le bouton de commande du milieu qui est le plus éloigné de la bouteille et tournez-le jusqu'à la position HIGH
- Enfoncez le bouton d'allumage électrique pendant trois à quatre secondes pour allumer les brûleurs.

### **AVERTISSEMENT**

En cas de RETOUR DE FLAMME sur les tubes du brûleur ou à proximité, suivez les instructions ci-dessous. Le non-respect de ces instructions pourrait entraîner un incendie ou une explosion et causer des blessures graves, la mort ou des dommages matériels.

- Fermez l'alimentation en gaz du barbecue.
- Tournez les boutons de commande en position OFF.
- Ouvrez les couvercles du barbecue.
- Éteignez toute flamme à l'aide d'un extincteur de classe B.
- Une fois le barbecue refroidi, nettoyez les tubes du brûleur conformément aux instructions du présent manuel d'utilisation.

## **AVERTISSEMENT**

Le non-respect de ces instructions pourrait entraîner un incendie ou une explosion et causer des blessures graves, la mort ou des dommages matériels.

- Assurez-vous que l'espace autour du barbecue est propre et exempt de matériaux combustibles, d'essence et d'autres vapeurs ou liquides inflammables.
- N'entravez pas le flux d'air de combustion et de ventilation.
- Maintenez libre de tous débris les ouvertures de ventilation entourant la bouteille.

## **GARANTIE**

---

Le fabricant garantit le brûleur pour une période de cinq (5) ans et les pièces de rechange pour une période de un (1) an à compter de la date d'achat. La peinture n'est pas garantie et des retouches de peinture périodiques pourraient être nécessaires. Les articles dits de consommation, comme les piles, ne sont pas couverts par la garantie. Pour toute question concernant la garantie ou pour obtenir du service, communiquez avec le service à la clientèle au 1 800 963-0211, entre 8 h et 18 h (HNE), du lundi au jeudi, ou entre 8 h et 17 h (HNE) le vendredi.

La garantie limitée n'est offerte qu'au consommateur initial à la présentation de la preuve d'achat. La présente garantie n'est que résidentielle et ne peut s'appliquer à un usage commercial. Tout bien retourné doit être envoyé avec les frais d'expédition prépayés. Cette garantie ne couvre pas l'usure normale ou les défauts causés par un usage abusif ou inapproprié. La présente garantie exclut les coûts accessoires ou consécutifs entraînés par des dommages ou des pertes de toute nature relatifs à des biens ou à des personnes.

**AVIS : Certains États ou certaines provinces ne permettent pas une limitation de la durée de la garantie implicite ou une exclusion ou une limitation des dommages accidentels ou consécutifs, de sorte que les limitations ou exclusions mentionnées ci-dessus peuvent ne pas s'appliquer à vous.**

Cette garantie vous confère des droits précis. Il est possible que vous disposiez également d'autres droits, qui varient d'un État ou d'une province à l'autre.

## **LISTE DES PIÈCES DE RECHANGE**

Pour obtenir des pièces de rechange, communiquez avec notre service à la clientèle au 1 800 963-0211, entre 8 h et 18 h (HNE), du lundi au jeudi, ou entre 8 h et 17 h (HNE) le vendredi.

<b>Pièce</b>	<b>Description</b>	<b>Quantité</b>
A1	Brûleur	6
A2	Tige d'allumage et fil	1
A3	Allumeur	1
A4	Panneaux latéraux (de gauche et de droite)	1
A5	Pare-vent	1
B	Chariot	1
C	Poignée	2
D	Roulette fixe	2
E	Roulette pivotante	2
F	Diffuseur de chaleur	6
G	Grille de cuisson	3
H	Grille de maintien au chaud	1
J	Support à bouteille de gaz	1
K	Bac ramasse-graisse	1
L	Porte-serviettes	2
M	Matériel	1
N	Bouton	6
O	Régulateur	1

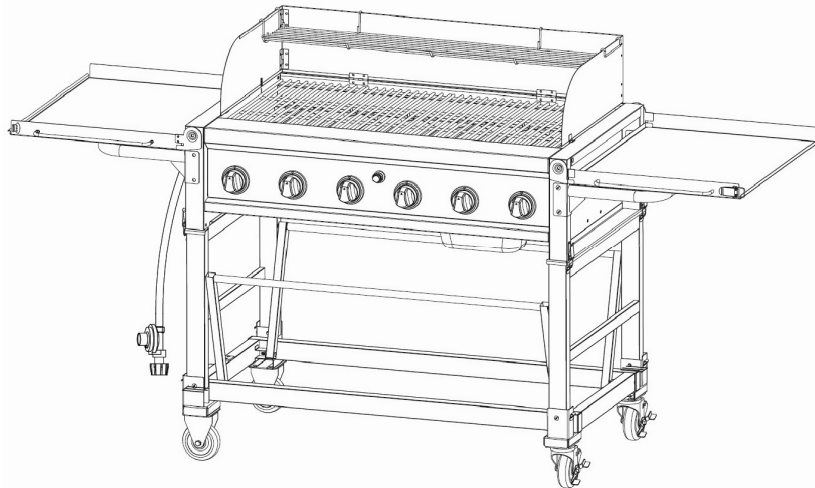
Imprimé en Chine



ARTÍCULO #0340113  
**PARRILLA CON 6 QUEMADO**  
 MODELO# GR2045401-MF-00 / GR2045402-MF-00

Master Forge & M Design® es una marca registrada de LF, LLC. Reservados todos los derechos.

Français p. 27 - 53  
 Español p. 54 - 79



**⚠ PELIGRO ⚠**

Si huele gas:

1. Cierre el suministro de gas hacia el aparato.
2. Apague cualquier llama directa.
3. Abra la tapa.
4. Si el olor persiste, manténgase alejado del aparato y llame de inmediato a su proveedor de gas o al Departamento de Bomberos.

Si no sigue estas instrucciones, podría provocar un incendio o una explosión que ocasione daños a la propiedad, lesiones personales o la muerte.

**⚠ ADVERTENCIA ⚠**

1. No almacene ni utilice gasolina u otros líquidos o vapores inflamables cerca de éste u otro artefacto.
2. No se deben almacenar cilindros de gas propano que no estén conectados y en uso cerca de este u otro aparato.

**⚠ PELIGRO ⚠**

**Sólo para uso en exteriores**

**⚠ IMPORTANTE ⚠**

Lea las declaraciones de Seguridad y Precaución, y las instrucciones Mantenimiento de la parrilla, Prueba de fugas, Conexión del regulador/cilindro y Encendido antes de usar la parrilla por primera vez.

- Este manual de instrucciones contiene información importante necesaria para el ensamblaje correcto y el uso seguro de la parrilla.
- Lea y siga todas las advertencias e instrucciones antes de ensamblar y utilizar este artefacto.
- Siga todas las advertencias e instrucciones al utilizar esta parrilla. Guarde este manual para referencia futura.



**¿Preguntas, problemas, piezas faltantes?** Antes de volver a la tienda, llame a nuestro Departamento de Servicio al Cliente al 1-800-963-0211 de lunes a jueves de 8 a.m. a 6 p.m., y los viernes de 8 a.m. a 5 p.m., hora estándar del Este.

## ÍNDICE

Contenido del paquete.....	56
Lista de aditamentos.....	57
Información de seguridad.....	57
Preparación .....	58
Instrucciones de ensamblaje .....	62
Instrucciones de instalación.....	65
Instrucciones de funcionamiento .....	71
Cuidado y mantenimiento .....	74
Solución de problemas .....	77
Garantía .....	79
Lista de piezas de repuesto .....	79

### **PELIGRO** :

Indica una situación de peligro inminente que, de no evitarse, ocasionará la muerte o lesiones graves.

### **ADVERTENCIA** :

Esté alerta ante la posibilidad de lesiones corporales graves si no se siguen las instrucciones. Asegúrese de leer y seguir con cuidado todos los mensajes.

### **PRECAUCIÓN** :

Indica una situación potencialmente peligrosa que, de no evitarse, puede ocasionar lesiones menores o moderadas.

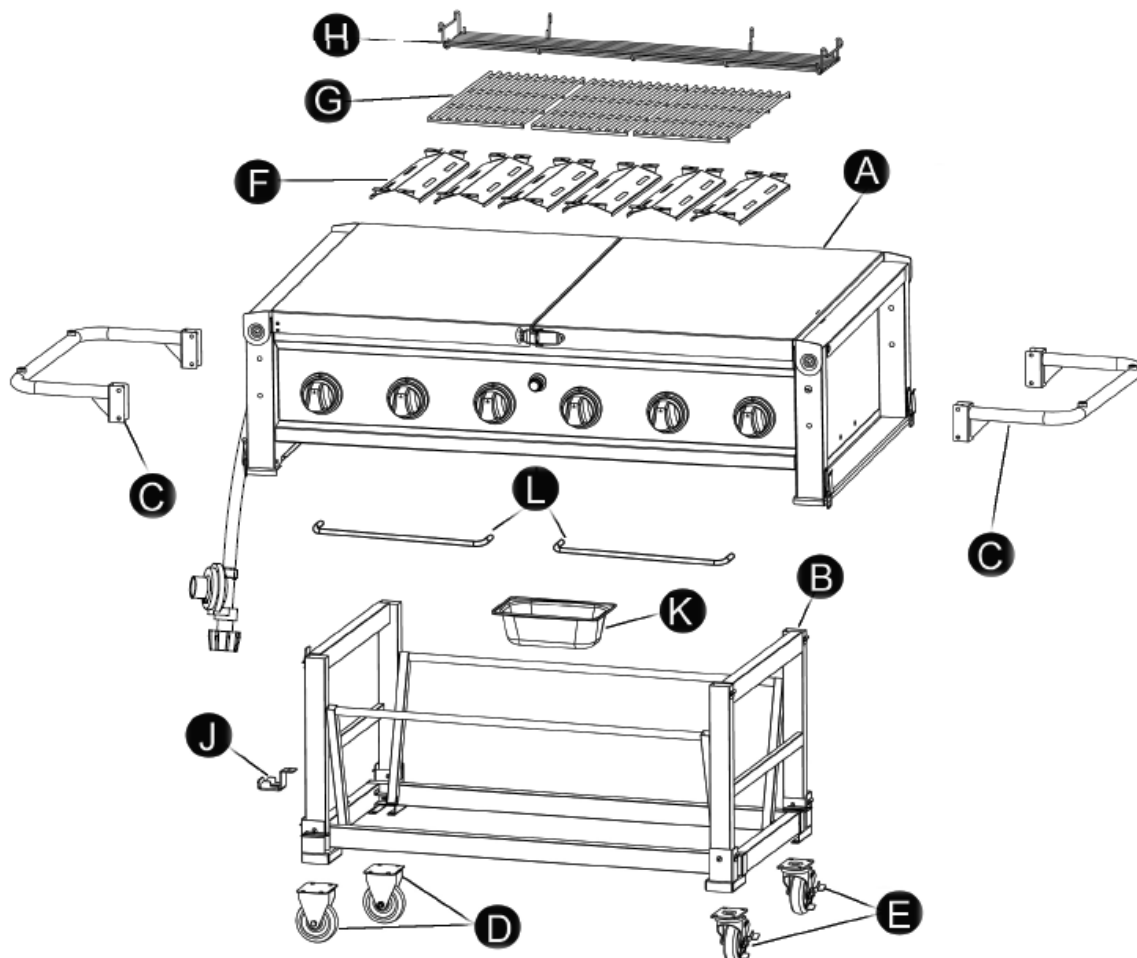
### **WARNING**

#### ASUNTO 65 DE CALIFORNIA

1. Los subproductos de la combustión produjeron al usar este producto contienen los productos químicos sabidos al estado de California para causar el cáncer, los defectos de nacimiento, y el otro daño reproductivo.
2. Este producto contiene los productos químicos, incluyendo el plomo y los compuestos de plomo, saben al estado de California para causar el cáncer, los defectos de nacimiento o el otro daño reproductivo.

Lávese las manos después de manejar este producto.

## CONTENIDO DEL PAQUETE


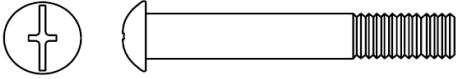
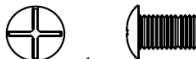



Piezas	Descripción	Cantidad
A	Cuerpo de la parrilla	1
B	Carrito	1
C	Manija	2
D	Rueda fija	2
E	Rueda universal	2
F	Difusor de calor	6

Piezas	Descripción	Cantidad
G	Rejilla de cocción	3
H	Parrilla para calentar	1
J	Portatanque de gas	1
K	Recipiente de grasa	1
L	Toallero	2



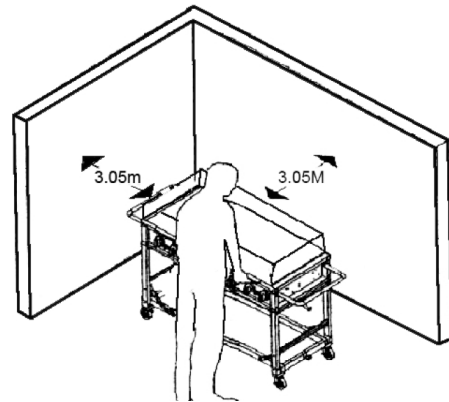
## LISTA DE ADITAMENTOS

Aditamentos	Descripción	Cantidad	Imagen (tamaño real)
AA	Perno de M6 x 12	18	
BB	Paso Perno de M6	8	
CC	Perno de M5 x 8	4	
DD	Tuerca de M6	8	

## INFORMACIÓN DE SEGURIDAD

### ADVERTENCIA:

1. El artefacto de cocina a gas para exteriores sólo se debe usar en exteriores y no se debe usar en edificios, garajes ni otras áreas cerradas.
2. Este artefacto de cocina a gas para exteriores no está diseñado para instalarse en botes ni vehículos recreativos.
3. Use la parrilla en EXTERIORES en un espacio bien ventilado lejos de viviendas u otros edificios para evitar daños asociados con acumulación de gas y vapores tóxicos. La parrilla se debe colocar al menos a 3,05 m (10 pies) de edificios. Hacer caso omiso de estas separaciones evitará que haya la ventilación adecuada y puede aumentar el riesgo de incendio y/o daños a la propiedad, lo que también podría causar lesiones personales.
4. Mantenga una separación mínima de 3,05 m (10 pies) entre todos los costados de la parrilla, barandas de terraza, paredes o cualquier material combustible. NO use la parrilla bajo construcciones superiores inflamables sin protección.
5. NO obstruya el flujo del aire de combustión/ventilación.
6. NO deje la parrilla sin supervisión mientras está en uso.
7. NO use la parrilla bajo los efectos de drogas o alcohol.
8. Mantenga la manguera de suministro de combustible alejada de superficies calientes
9. NO almacene ni mueva la parrilla después de usarla. Deje que la parrilla se enfríe antes de moverla/almacenarla. No hacerlo podría provocar incendios que



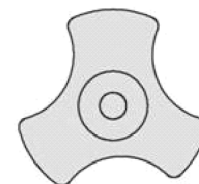
- ocasionarían daños a la propiedad, lesiones personales o la muerte.
10. La parrilla es sólo para uso doméstico. NO utilice esta parrilla para otro propósito que no sea el especificado.
  11. Nunca use gas natural en una unidad diseñada para gas propano líquido.
  12. Nunca use carbón ni briquetas de madera en una parrilla a gas. Las astillas saborizantes se deben contener en un recipiente de metal para ahumar para así contener las cenizas y evitar incendios.
  13. Se debe realizar una prueba de fugas antes de cada uso.
  14. Mantenga a mano un extintor de incendios aceptable para su uso con productos a gas. Consulte con sus autoridades locales para determinar el tamaño y tipo adecuado.
  15. La parrilla se calienta durante el uso. Para evitar quemaduras:
    - NO intente mover la parrilla.
    - Bloquee las ruedas para que la unidad no se mueva accidentalmente.
    - Use guantes de protección o guantes para horno.
    - NO toque ninguna superficie caliente de la parrilla.
  16. NO use ropas holgadas ni permita que el cabello entre en contacto con la parrilla.

## **PREPARACIÓN**

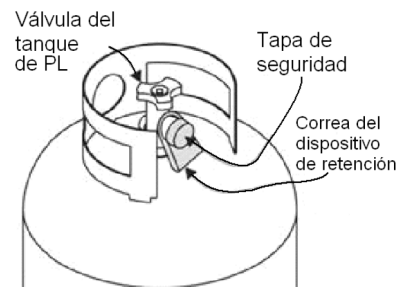
Antes de comenzar a ensamblar el producto, asegúrese de tener todas las piezas. Compare las piezas con la lista del contenido del paquete y el diagrama anterior. No intente ensamblar el producto si falta alguna pieza o si éstas están dañadas. Póngase en contacto con el Departamento de Servicio al Cliente para obtener piezas de repuesto. Tiempo estimado de ensamblaje: Menos de 30 minutos. Herramientas necesarias: Pinzas (no incluidas), destornillador Phillips (no incluido). Llave ajustable (no se incluye).

### **La válvula del tanque de gas PL debe tener:**

- Salida tipo 1 compatible con el regulador o la parrilla.
- Válvula de descarga de seguridad.
- Dispositivo de prevención de sobrellenado (OPD, por sus siglas en inglés) homologado por UL. Esta característica de seguridad OPD se identifica por una manivela triangular única. Utilice sólo tanques equipados con esta válvula.
- El tanque de gas PL se debe adaptar para la extracción de vapores. El cilindro de gas PL debe estar fabricado y marcado según las especificaciones para cilindros de gas PL del Departamento de Transporte de EE.UU. (D.O.T., por sus siglas en inglés) o la Ley Nacional de Canadá CAN/CSA – B339 (Cilindros, esferas y tubos para el transporte de mercancías peligrosas) y la Comisión, según corresponda.
- El cilindro de gas PL debe incluir un anillo para proteger su válvula.
- El cilindro de gas PL se deben almacenar en el exterior, fuera del alcance de los niños y NO se debe almacenar en un edificio, garaje, cobertizo, corredor ni cualquier otro espacio cerrado. Los cilindros se pueden almacenar en interiores SÓLO si se desconectan y retiran de la parrilla.



Manivela OPD



- El cilindro SIEMPRE se debe colocar en posición vertical.

### **ADVERTENCIA**

Coloque la tapa en la salida de la válvula del cilindro cuando no esté en uso. Sólo instale el tipo de tapa para polvo que se proporciona con la válvula del cilindro en la salida de la válvula del cilindro. Otros tipos de tapas o tapones pueden causar una fuga de propano.

### **PELIGRO**

- NO conecte esta parrilla a una válvula de cilindro #510 POL con roscas hacia la izquierda. La válvula tipo 1 se puede identificar con las roscas externas grandes en la salida de la válvula.
- NO conecte a un cilindro que exceda esta capacidad.
- NO conecte a un cilindro que use algún otro tipo de dispositivo de conexión de válvula.
- Nunca almacene un cilindro de gas PL de reserva debajo o cerca de la parrilla. Esto podría causar que la presión salga por la válvula de descarga de vapor, provocando incendios, una explosión o lesiones personales graves incluida la muerte.
- Mantenga despejadas y limpias de obstrucciones y desechos las aberturas de ventilación del compartimiento del cilindro de gas PL.
- NO introduzca objetos extraños en la salida de la válvula ya que esto podría dañar la válvula de retención inversa. Una válvula de retención inversa dañada puede provocar una fuga, que posiblemente cause explosiones, incendios, lesiones corporales graves o la muerte.

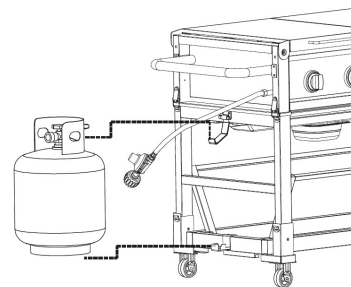
### **ADVERTENCIA**

#### **PARA LLENAR Y CAMBIAR EL CILINDRO DE GAS PL**

- Sólo permita que distribuidores calificados de gas PL llenen o reparen adecuadamente su cilindro de PL.
- NO permita que el cilindro se llene a más del 80% de su capacidad. Los tanques llenados excesivamente pueden generar una condición peligrosa. Los tanques llenados excesivamente pueden acumular presión y provocar que la válvula de descarga expulse vapores de gas propano. El vapor es combustible y si entra en contacto con una fuente de chispas o llamas, se podría provocar una explosión que causaría quemaduras graves, lesiones corporales o la muerte.
- Siempre use una tapa de seguridad cuando la parrilla no esté conectada a un cilindro. Si intercambia un cilindro con un programa de intercambio calificado, asegúrese de que el cilindro tenga una válvula tipo 1 y un dispositivo de prevención de sobrellenado (OPD, por sus siglas en inglés).

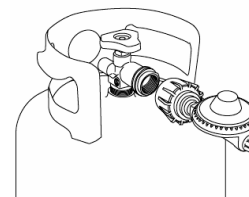
## INSTALACIÓN DEL CILINDRO DE GAS

1. Verifique que la válvula del cilindro esté cerrada girando la perilla en dirección de las manecillas del reloj.
2. Coloque el cilindro en un portatanque en el gabinete inferior.
3. Oriente el cilindro de tal forma que el orificio de la válvula mire a los quemadores frontales y que la manguera no quede torcida/dañada.
4. Fije o retire el regulador al cilindro de PL sólo cuando el cilindro esté sobre el portatanque.



## PROCEDIMIENTOS DE CONEXIÓN

1. Asegúrese de que la válvula del tanque esté cerrada (gire la válvula en dirección de las manecillas del reloj hasta que esté apretada).
2. Verifique la válvula del tanque para asegurarse de que tiene las roscas macho externas adecuadas.
3. Asegúrese de que todas las válvulas de los quemadores estén en la posición **OFF** (APAGADO).
4. Revise las conexiones de la válvula, el orificio y el ensamble del regulador. Busque cualquier daño o desecho. Retire cualquier desecho. Revise la manguera para ver que no esté dañada. Nunca intente utilizar un equipo dañado u obstruido. Consulte con un distribuidor de gas PL local para la reparación.
5. Cuando conecte el ensamble del regulador a la válvula, apriete a mano la tuerca de acoplamiento rápido en dirección de las manecillas del reloj hasta que se detenga completamente. No use una llave inglesa para apretar. El uso de una llave inglesa podría dañar la tuerca de acoplamiento rápido y provocar una condición peligrosa.
6. Abra completamente la válvula del tanque (en dirección contraria a las manecillas del reloj). Use una solución de agua y jabón para revisar todas las conexiones para detectar fugas antes de intentar encender la parrilla (consulte a continuación). Si se descubre una fuga, lleve la válvula del tanque a la posición de apagado y no use la parrilla hasta que un distribuidor de gas PL local haya hecho las reparaciones.



### Para desconectar el cilindro de gas PL:



#### ADVERTENCIA

- Si la parrilla no está en uso se debe cerrar el paso de gas desde el o los cilindros de suministro. Se puede almacenar la parrilla sólo si se le desconecta y retira el cilindro.
  - Los cilindros se deben almacenar en el exterior, fuera del alcance de los niños, y no deben almacenarse en un edificio, garaje o cualquier otra área cerrada.
1. Cierre las válvulas de los quemadores.
  2. Cierre completamente la válvula del tanque (gire en dirección de las manecillas del reloj para detener el flujo).
  3. Separe el ensamble del regulador de la válvula del tanque girando la tuerca de acoplamiento rápido en dirección contraria a las manecillas del reloj.

## PRECAUCIÓN

- Al instalar cilindros de PL se deben utilizar el regulador de presión y el ensamble de manguera incluidos con esta parrilla. Los reguladores de presión y ensambles de las mangueras de repuesto deben ser los especificados por el fabricante de la parrilla.
- Coloque la tapa para polvo en la salida de la válvula del cilindro cuando éste no esté en uso. Sólo instale el tipo de tapa para polvo que se proporciona con la válvula del cilindro en la salida de la válvula del cilindro. Otros tipos de tapas o taponos pueden causar una fuga de propano.

## PRUEBA DE FUGAS

Aunque se realizan pruebas de fuga a todas las conexiones de gas de la parrilla en la fábrica antes del envío, debe efectuarse una verificación completa del hermetismo del gas en el sitio de la instalación debido a la posible manipulación indebida durante el envío o a una presión excesiva que se haya aplicado inconscientemente sobre la unidad. Verifique periódicamente todo el sistema para asegurarse de que no haya fugas siguiendo los procedimientos mencionados a continuación. Si en algún momento percibe olor a gas, verifique inmediatamente todo el sistema para detectar fugas.

## ANTES DE LA PRUEBA

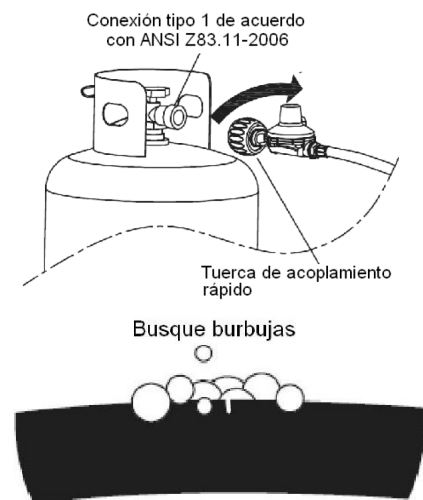
- Asegúrese de que se hayan retirado todos los materiales de embalaje de la parrilla, incluidas las bandas de sujeción de los quemadores.
- Prepare una solución de jabón de detergente líquido y agua en partes iguales. Necesitará un rociador, pincel o paño para aplicar la solución en los acoplamientos. Para la prueba de fugas inicial, asegúrese de que el cilindro de PL esté lleno.

## ADVERTENCIA

- NO FUME MIENTRAS REALIZA UNA PRUEBA DE FUGAS
- NUNCA REALICE UNA PRUEBA DE FUGAS CON UNA LLAMA DIRECTA
- Si es evidente que hay abrasión o desgaste excesivos, o si la manguera está cortada, debe reemplazarla antes de comenzar a usar la parrilla. La manguera de repuesto debe ser la especificada por el fabricante.

## PARA HACER LA PRUEBA

1. Asegúrese de que las válvulas de control estén en la posición "OFF" y abra el suministro de gas.
2. Verifique todas las conexiones del cilindro de gas, el regulador de gas PL y la válvula de suministro e incluya todas las conexiones a la tubería que va a los quemadores (el diagrama muestra el punto donde se debe aplicar la mezcla de agua y jabón). En el lugar donde haya una fuga se formarán burbujas de jabón.
3. Si se ha detectado una fuga, interrumpa el suministro de gas inmediatamente y apriete todos los acoplamientos que tengan fugas.
4. Habilite nuevamente el suministro de gas y vuelva a revisar.
5. Si es evidente que hay abrasión o desgaste excesivos



o si la manguera está cortada, deberá reemplazarla antes de poner el artefacto en funcionamiento. El ensamble de la manguera de repuesto debe ser el especificado por el fabricante. Comuníquese con nuestro Departamento de Servicio al Cliente al 1-800-963-0211 de lunes a jueves de 8 a.m. a 6 p.m. y los viernes de 8 a.m. a 5 p.m., hora estándar del Este.

## **INSTRUCCIONES DE ENSAMBLAJE**

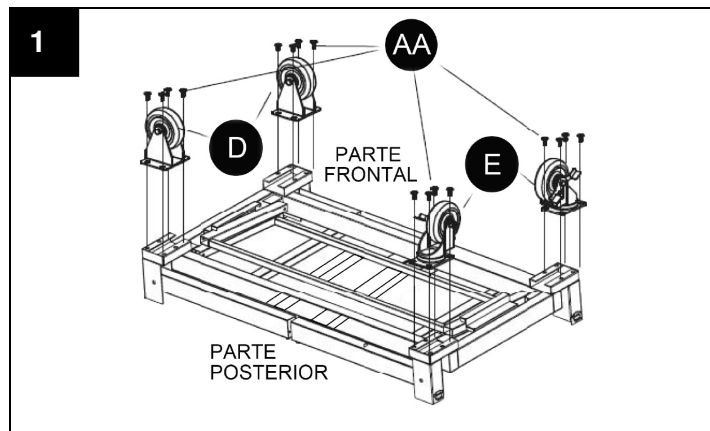
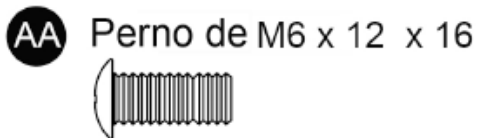
**Símbolo:** Es posible que algunos pasos requieran la ayuda de un amigo.



### **Paso 1**

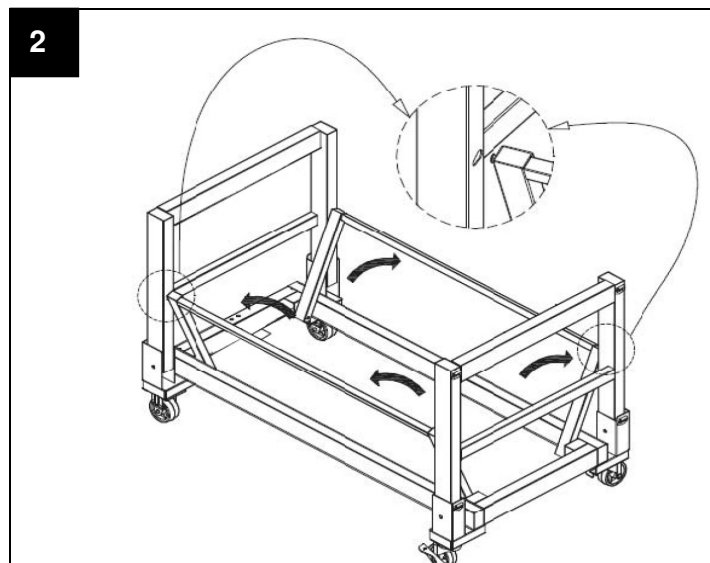
Ensamble la rueda fija (D) y la rueda universal (E) al carrito de la parrilla con un perno (AA).

#### **ADITAMENTOS UTILIZADOS**



### **Paso 2**

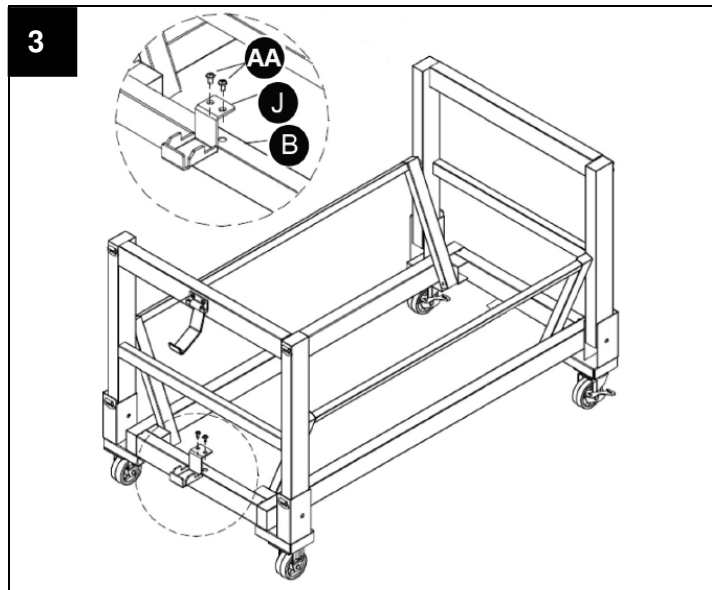
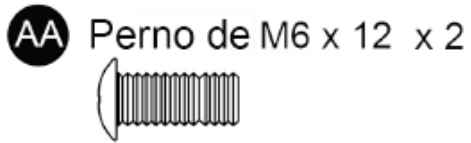
Dé vuelta el carrito de la parrilla. Abra las patas de apoyo izquierda y derecha del carrito y luego abra la barra horizontal frontal y posterior para sostener las patas de apoyo izquierda y derecha en su posición. Asegúrese de que los pernos de los extremos opuestos de las barras horizontales vayan en los orificios de fijación de las patas, de acuerdo con el diagrama.



### Paso 3

Ensamble el portatanque de gas (J) al lado izquierdo del carrito de la parrilla (B) con un perno (AA).

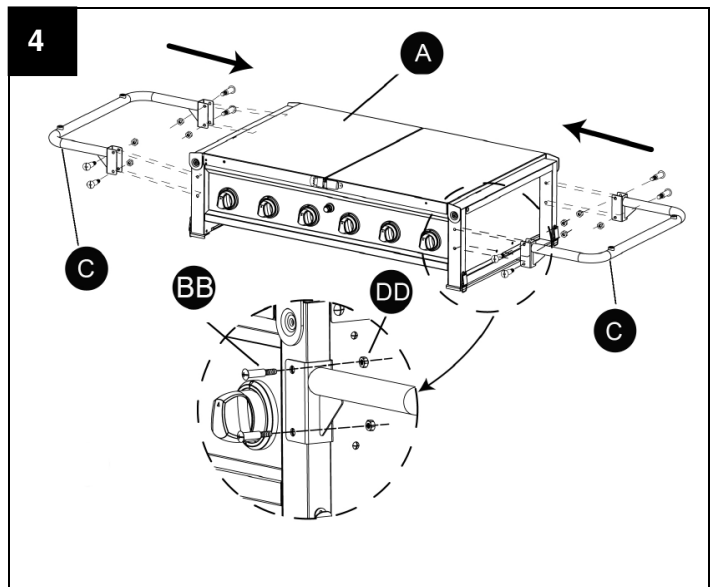
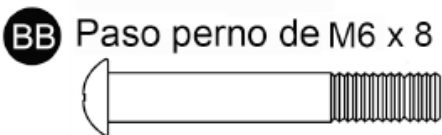
#### **ADITAMENTOS UTILIZADOS**



### Paso 4

Ensamble las manijas (C) al cuerpo de la parrilla (A) con un perno (BB) y una tuerca (DD).

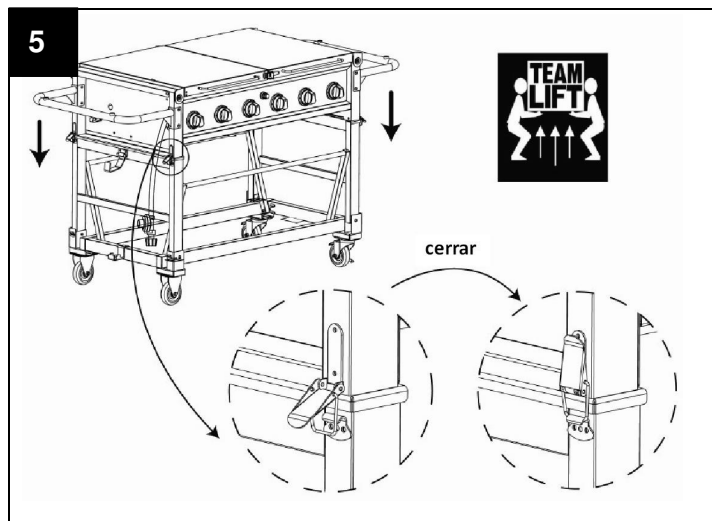
#### **ADITAMENTOS UTILIZADOS**



### Paso 5

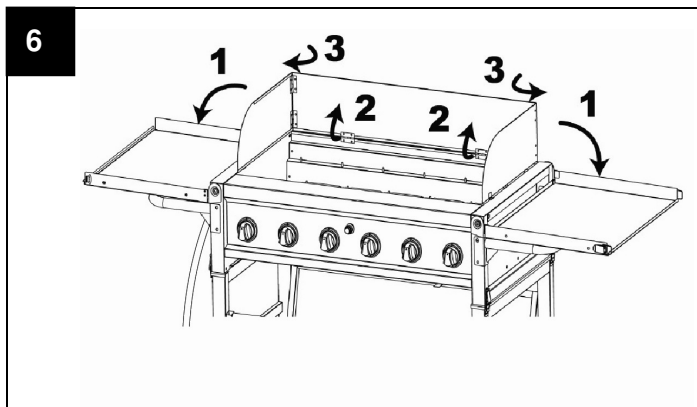
Con la ayuda de otra persona, coloque el cuerpo de la parrilla en el carrito de la parrilla.

Asegúrese de que los cuatro pestillos de las patas y el cuerpo de la parrilla estén firmemente bloqueados.



### Paso 6

1. Abra los estantes laterales.
2. Abra el protector contra viento.
3. Abra el protector contra viento lateral.

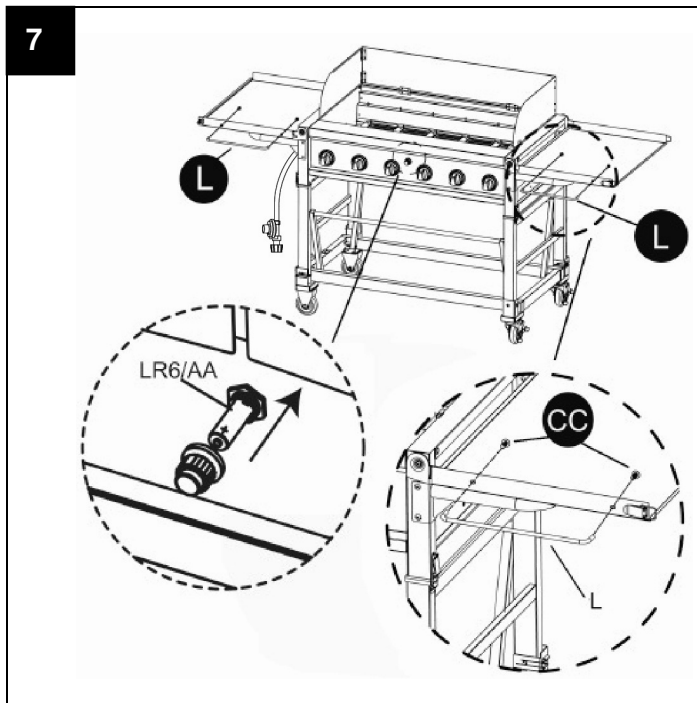


### Paso 7

1. Ensamble los toalleros (L) a los estantes laterales con un perno (CC).
2. Instale una batería de LR6/AA en el encendedor.

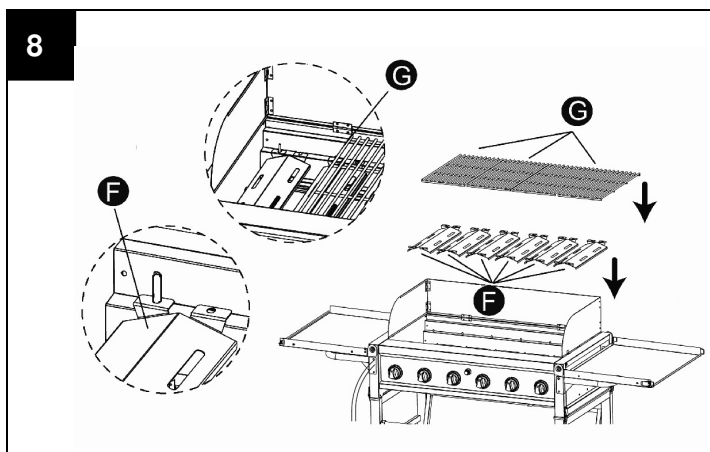
#### **ADITAMENTOS UTILIZADOS**

**CC** Perno M5 x 8 x 4



### Paso 8

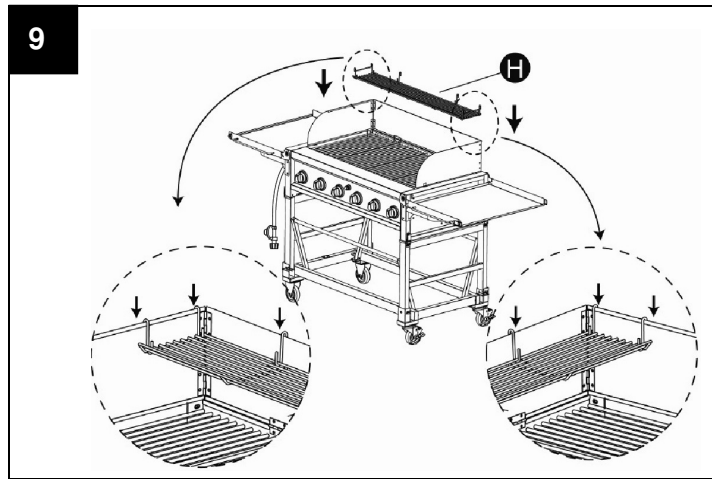
Coloque el difusor de calor (F) el cuerpo de la parrilla. Asegúrese de que el pasador vertical pase por los orificios del difusor (F). Luego coloque la rejilla de cocción (G) en el cuerpo de la parrilla.





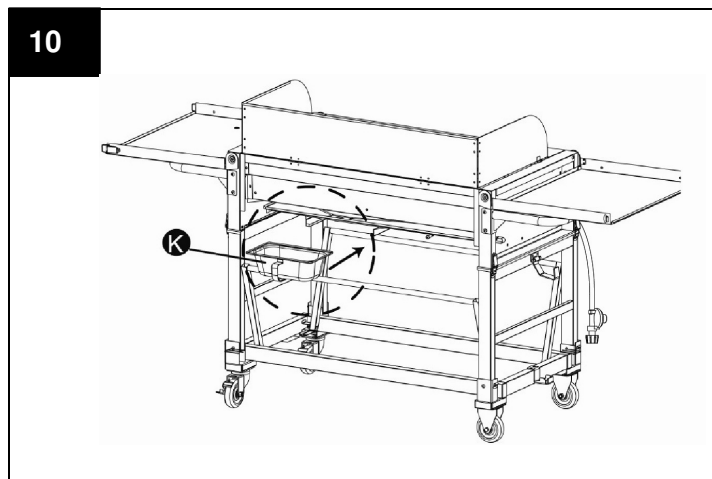
### Paso 9

Cuelgue la rejilla para calentar (H) en el protector contra viento.



### Paso 10

Coloque el recipiente de grasa (K) en la abrazadera inferior de la bandeja de recolección de grasa.



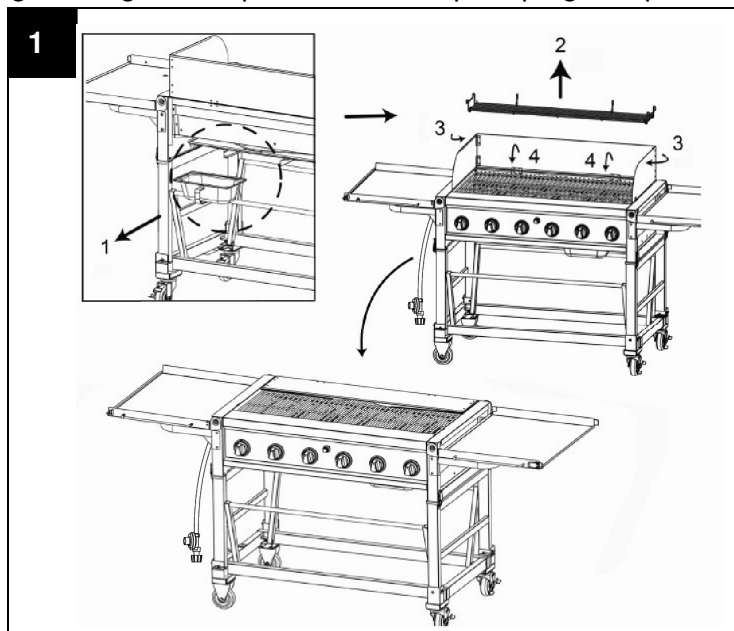
## INSTRUCCIONES DE INSTALACIÓN

### Proceso de plegado

Cuando la parrilla no está en uso, siga los siguientes procedimientos para plegar la parrilla.

### Paso 1

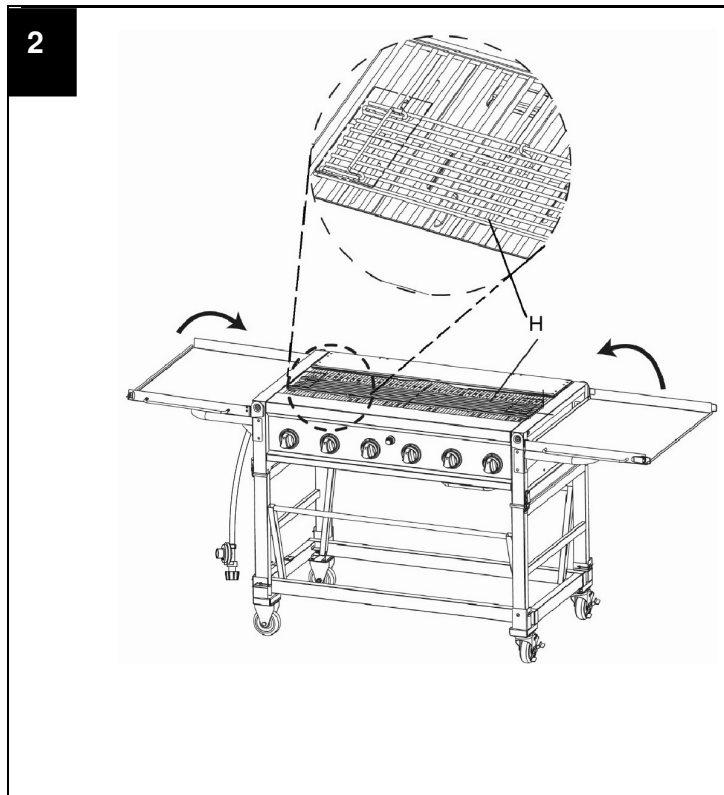
1. Retire el recipiente de grasa de la parte inferior de la bandeja de recolección de grasa.
2. Retire la rejilla para calentar.
3. Cierre el panel lateral del protector contra viento.
4. Pliegue el protector contra viento.



## Paso 2

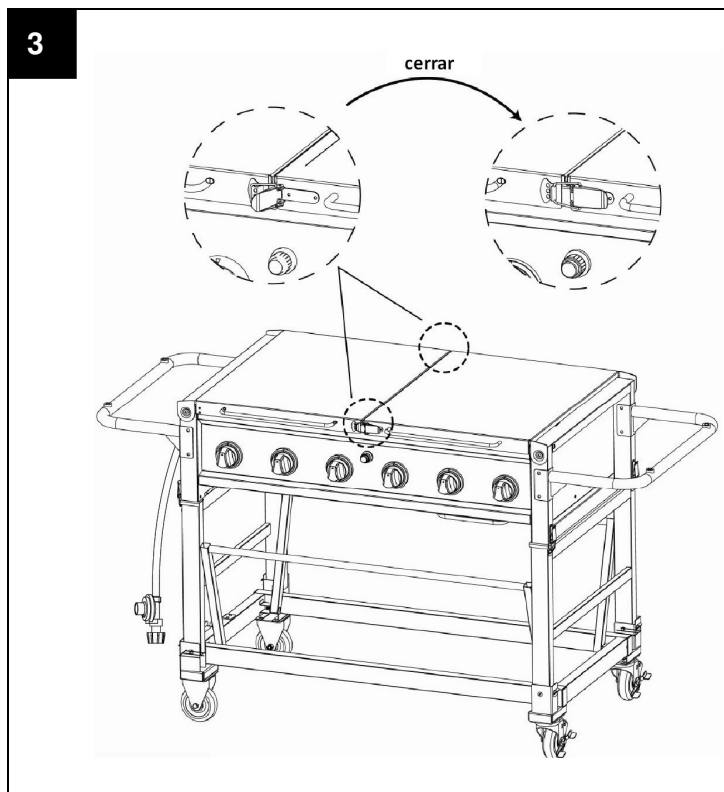
Coloque la rejilla para calentar al revés con los ganchos para colgar hacia abajo. Luego colóquela en la parte frontal de la rejilla de cocción y con los ganchos para colgar entrando en la rejilla de cocción.

Cierre el estante lateral izquierdo y luego cierre el derecho.



## Paso 3

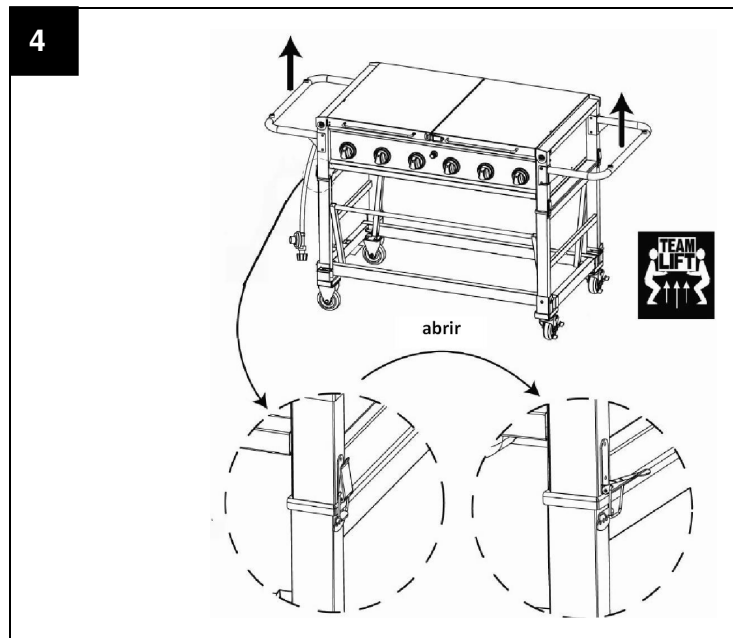
Una vez que los estantes laterales están cerrados, cierre los pestillos de la parte frontal y posterior de los estantes laterales.



#### Paso 4

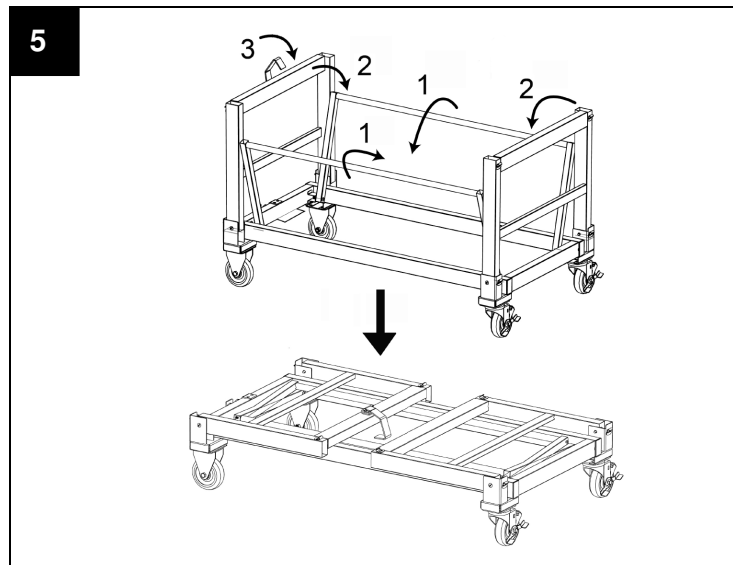
Desbloquee los pestillos de las cuatro patas.

Con la ayuda de otra persona, levante el cuerpo de la parrilla separándolo del carrito de la parrilla y colóquelo en una superficie horizontal plana y rígida.



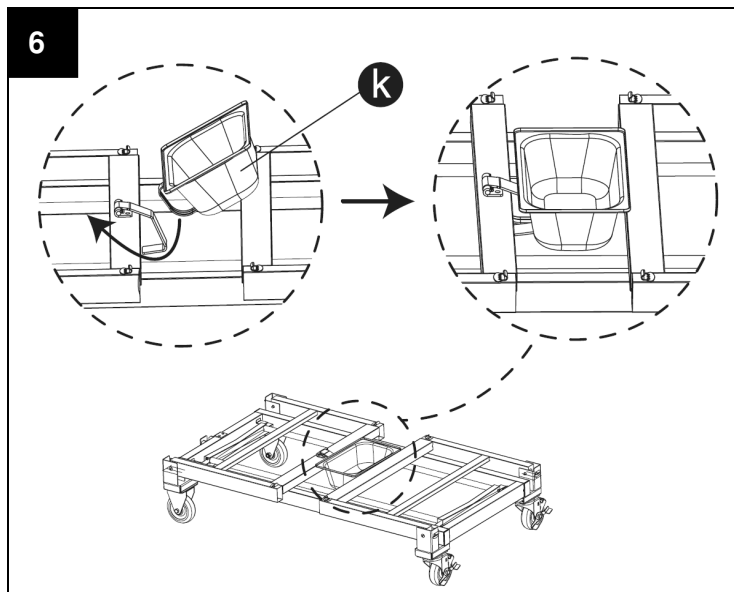
#### Paso 5

1. Desbloquee las barras horizontales frontal y posterior y colóquelas sobre el carrito de la parrilla.
2. Pliegue las patas izquierda y derecha del carrito de la parrilla.
3. Asegúrese de que el gancho para colgar del tanque de gas esté dentro del carrito de la parrilla.



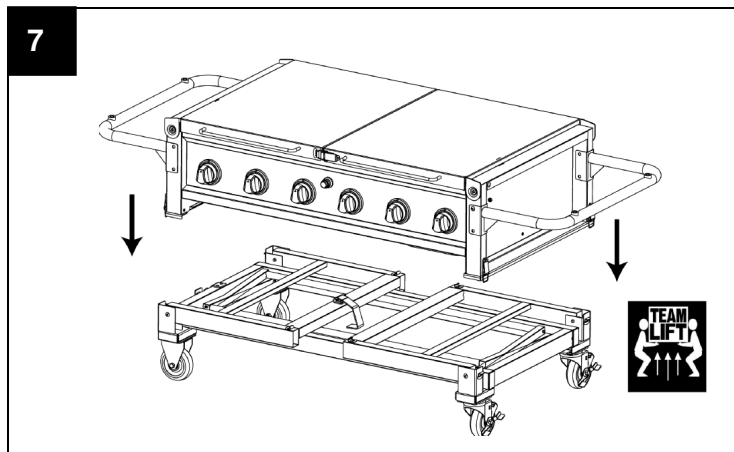
### Paso 6

Coloque la charola recolectora de grasa en el carrito como lo indica la ilustración.



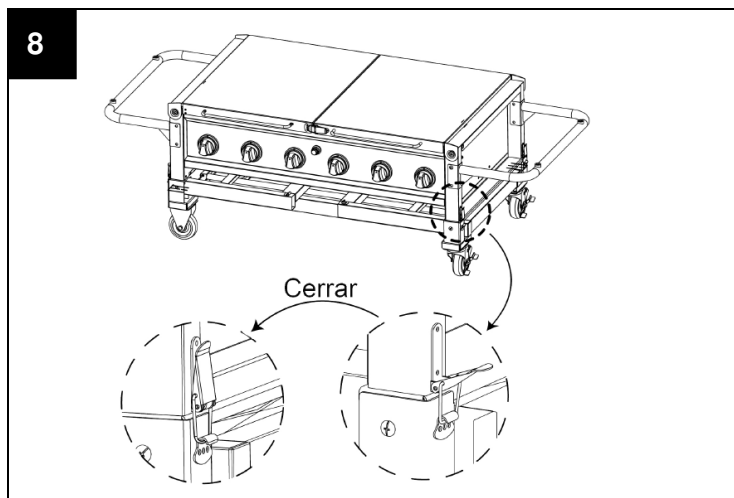
### Paso 7

Con la ayuda de otra persona, coloque el cuerpo de la parrilla en el carrito de la parrilla nuevamente.



### Paso 8

Fije los 4 pestillos del carrito de la parrilla al cuerpo de la parrilla firmemente.

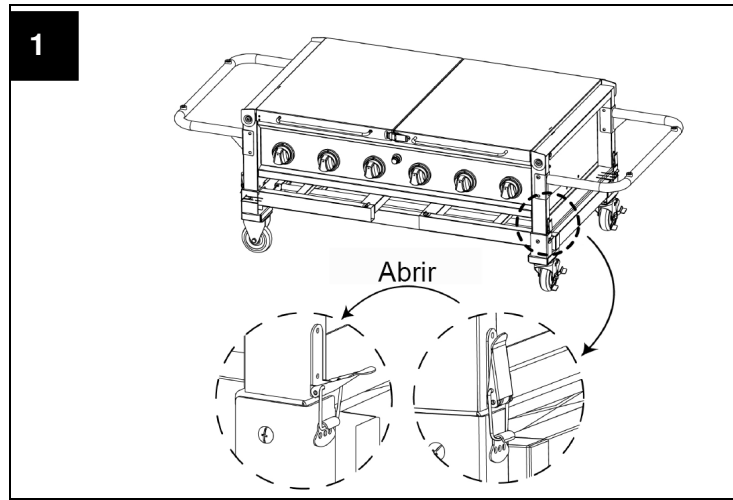


## Proceso de desplegado

Para desplegar la parrilla, siga los procedimientos que se detallan a continuación.

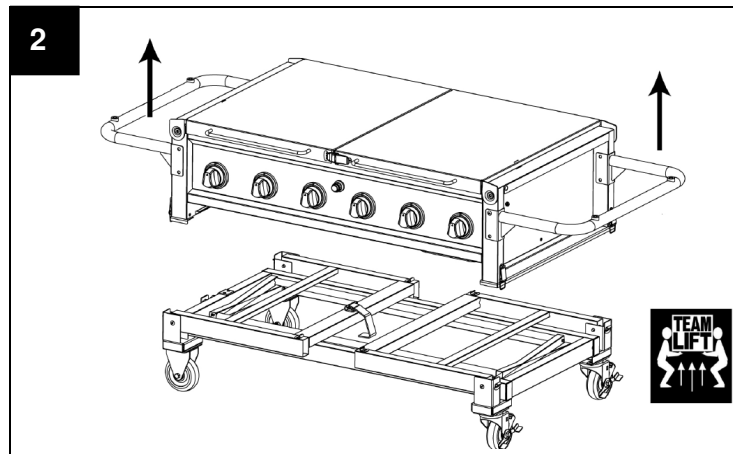
### Paso 1

Desbloquee los 4 pestillos del carrito de la parrilla.



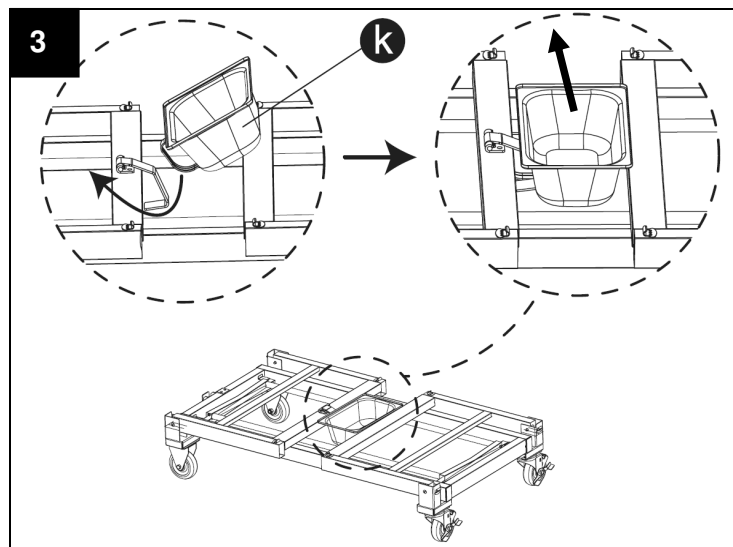
### Paso 2

Con la ayuda de otra persona, levante el cuerpo de la parrilla y sepárelo del carrito. Colóquelo en una superficie horizontal plana y rígida.



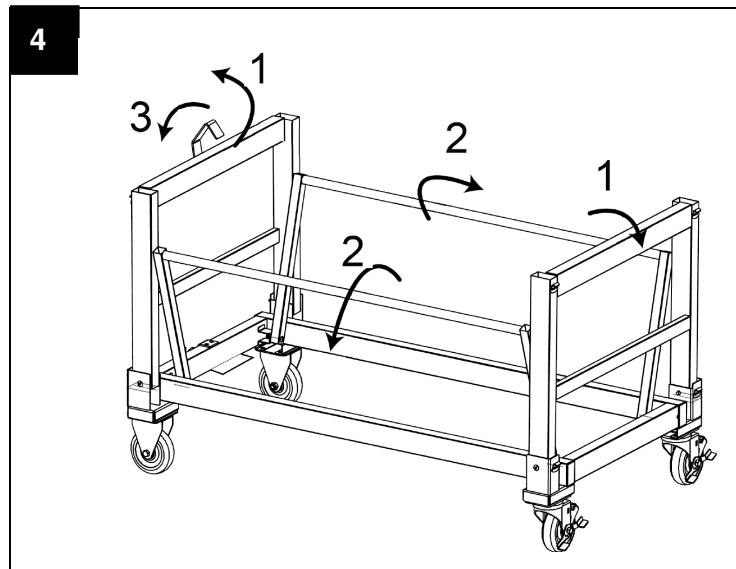
### Paso 3

Remueva la charola recolectora de grasa del carrito.



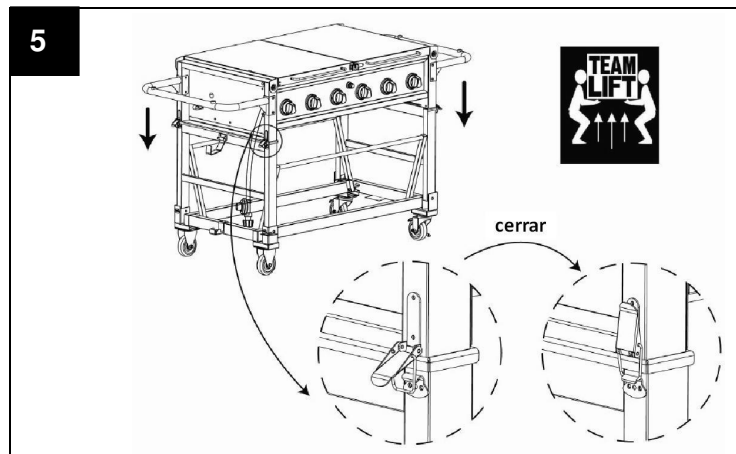
#### Paso 4

Dé vuelta el carrito de la parrilla. Abra las patas de apoyo izquierda y derecha del carrito y luego abra la barra horizontal frontal y posterior para sostener las patas de apoyo izquierda y derecha en su posición. Asegúrese de que los pernos de los extremos opuestos de las barras horizontales vayan en los orificios de fijación de las patas. También gire el gancho para colgar del tanque de gas hacia afuera.



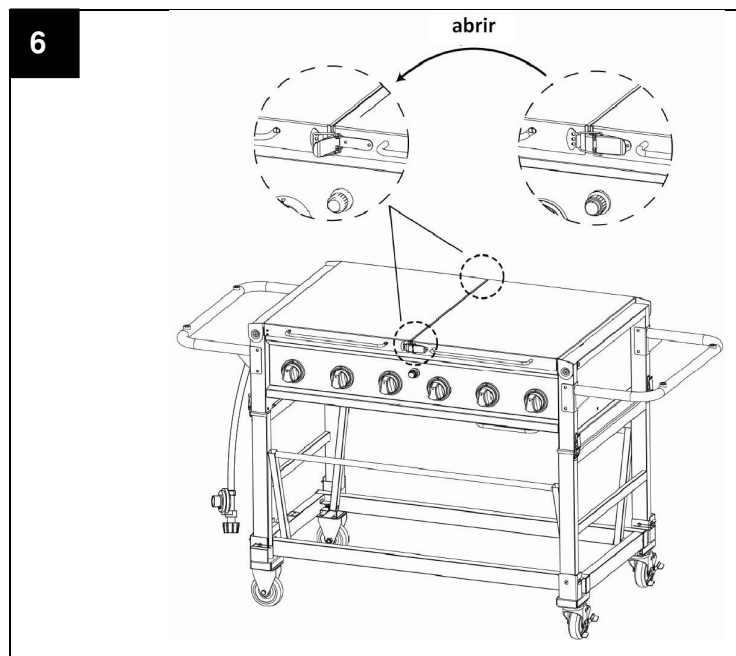
#### Paso 5

Con la ayuda de otra persona, coloque el cuerpo de la parrilla en el carrito. Asegúrese de que los pestillos de las cuatro patas estén firmemente bloqueados.



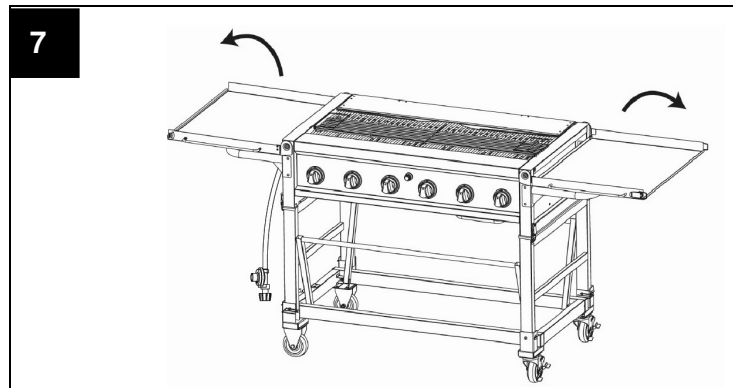
#### Paso 6

Desbloquee los pestillos de la parte frontal y posterior de los estantes laterales.



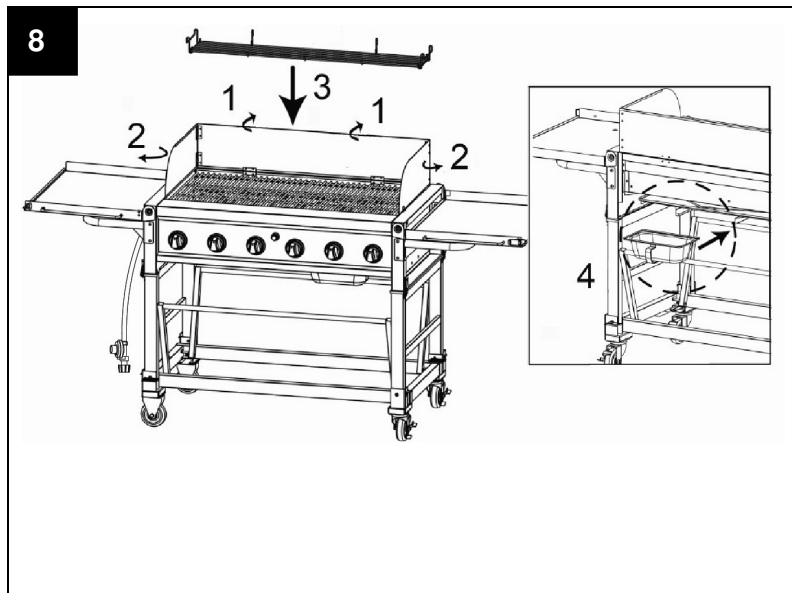
### Paso 7

Abra los estantes laterales.



### Paso 8

1. Abra el panel principal del protector contra viento.
2. Abra el protector contra viento lateral.
3. Cuelgue la rejilla para calentar (H) en el protector contra viento.
4. Coloque el recipiente de grasa en la abrazadera inferior de la bandeja de recolección de grasa.



## INSTRUCCIONES DE FUNCIONAMIENTO

### INSTRUCCIONES DE ENCENDIDO

#### ANTES DEL ENCENDIDO



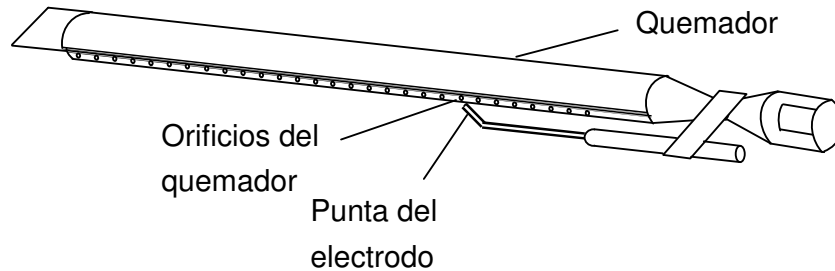
#### ADVERTENCIA

- Inspeccione la manguera del suministro de gas antes de encender el gas.
- Si existen pruebas de cortes, desgaste o abrasión, deberá reemplazarla antes de utilizarla.
- No utilice la parrilla si detecta olor a gas.
- Debe utilizarse únicamente el ensamble del regulador de presión y de la manguera que incluye la unidad.
- Realice la "**PRUEBA DE FUGAS**" de acuerdo con las instrucciones antes de usar la parrilla. **SIEMPRE** mantenga la cara y el cuerpo lo más lejos que pueda del quemador durante el encendido.

#### Verificación del electrodo

Con la ayuda de otra persona, realice esta verificación del electrodo antes de proceder.

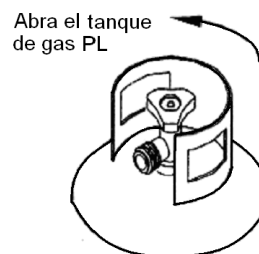
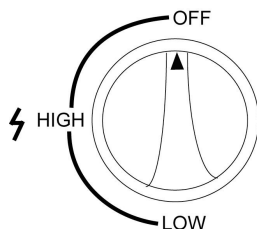
- Esta prueba garantizará que las puntas del electrodo de chispas están en la posición correcta de modo que la parrilla se encienda fácil y adecuadamente.



- Asegúrese de que todas las perillas de control estén en la posición "OFF" (APAGADO) y abra las tapas de la parrilla.
- Pídale a su ayudante que se pare detrás y a la izquierda de la parrilla y que mire hacia la parte frontal de la parrilla. Nunca coloque su cara dentro de la parte principal de la parrilla.
- Presione la tapa del encendedor. Escuchará un "clic". Su ayudante debe ver una chispa azul desde las puntas del electrodo hasta el orificio del quemador; si hay una chispa, las puntas del electrodo están en la posición correcta.
- Si no se ven chispas, se debe ajustar la sonda de encendido con un anillo de modo que su posición se dirija al orificio del quemador.
- Vuelva a verificar el electrodo; si no se escucha un "clic", verifique (1) que la batería LR-6 /AA no esté instalada al revés, y (2) que los cables eléctricos no estén sueltos. Retire la batería e inspeccione la caja de unión del encendedor que se encuentra detrás del panel de control y vuelva a conectar cualquier cable suelto.

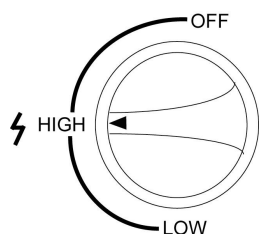
## ENCENDIDO DEL QUEMADOR PRINCIPAL DE LA PARRILLA

1. Antes de cada uso, verifique que ninguna manguera tenga grietas, rayas, cortes, quemaduras o abrasión. Si una manguera está dañada de cualquier forma, no use la parrilla antes de reemplazar la manguera por una pieza autorizada de la lista de piezas. También asegúrese de que todas las conexiones del suministro de gas estén bien apretadas.
2. Para un rendimiento óptimo, esta parrilla se debe usar sólo cuando las temperaturas exteriores son de 15,6 grados o más.
3. Familiarícese con las instrucciones Seguridad y Uso y cuidado de este manual. No fume mientras enciende la parrilla o verifica las conexiones del suministro de gas.
4. Asegúrese de que cada tanque de gas PL esté lleno y bloquee las ruedas para evitar el movimiento de la parrilla durante su operación.
5. Abra las tapas izquierda y derecha antes de encender la parrilla.
6. Verifique que el extremo de cada sonda del quemador esté en la posición correcta sobre cada orificio de la válvula.
7. Coloque todas las perillas de control en OFF y abra la válvula del tanque de gas propano LENTAMENTE 1/4 de vuelta.

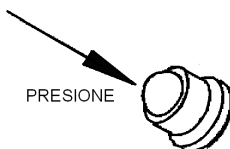




8. Encienda el "Piloto" primero, empuje y gire la perilla de control izquierda hasta la posición de "ALTO".

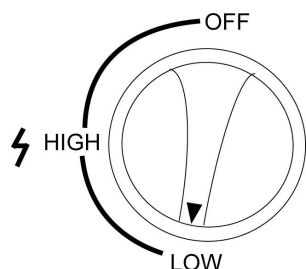


9. Inmediatamente presione el encendedor eléctrico durante 3 a 4 segundos para encender el quemador.



10. Si la ignición no sucede en los primeros 5 segundos, gire la perilla del piloto y la alimentación de gas hasta la posición APAGADO y, tal como se muestra en la sección de Uso y mantenimiento de este manual, revise que no existan fugas en todas las conexiones y fuentes de gas. Espere 5 minutos para que se disperse el gas remanente y repita el procedimiento de encendido.

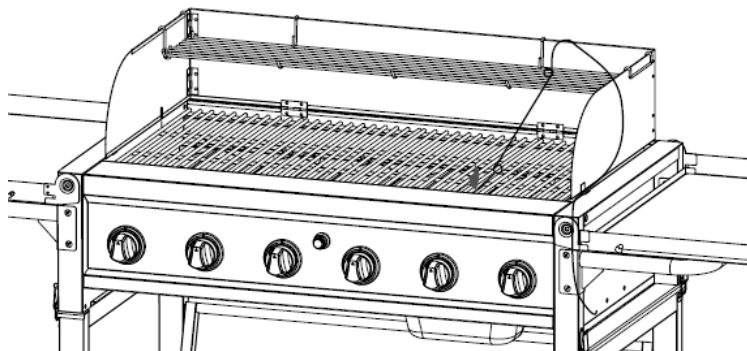
11. Después de encender el piloto, gire la válvula del tanque lentamente un cuarto de vuelta adicional por media vuelta en su totalidad.



12. Una vez prendido el piloto, encienda todos los quemadores girando sus perillas de control hasta la posición ALTO en el siguiente orden: 3, 2, 1, 5 y 6.

### ENCENDIDO USANDO LA VARILLA DE EXTENSIÓN DE ENCENDIDO CON FÓSFOROS

1. Cierre todas las válvulas de los quemadores.
2. Asegúrese de que la tapa esté abierta.
3. Coloque un fósforo encendido entre las bobinas del contenedor de fósforos y sosténgalo junto al quemador.
4. Gire la o las perillas de control a la posición "HIGH". El quemador se debe encender de inmediato.
5. Si el quemador no se enciende en 5 segundos, gire la perilla de control a la posición



OFF, espere 5 minutos y repita los procedimientos anteriores.



**PELIGRO**

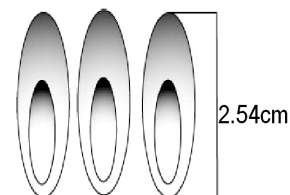
Al encender la parrilla, mantenga su rostro y sus manos lo más lejos posible de ésta.

### **CARACTERÍSTICAS DE LA LLAMA**

Este procedimiento describe la forma de revisar las correctas características de la llama de los quemadores.

Las llamas de los quemadores deben ser azules y estables con pequeñas puntas amarillas, sin ruido excesivo ni movimientos. Si la llama es amarilla indica que el aire es insuficiente. Si la llama es ruidosa y se eleva demasiado del quemador indica que hay demasiado aire. Si se presenta cualquiera de estas condiciones, llame a nuestra línea de Servicio al Cliente.

Revise visualmente las llamas de los quemadores antes de cada uso. Las llamas se deben ver como en esta imagen. De lo contrario, consulte la parte de mantenimiento de los quemadores de este manual.



### **CUIDADO Y MANTENIMIENTO**

Antes de limpiar la parrilla, manténgala en una zona libre de materiales combustibles, gasolina, y otros vapores y líquidos inflamables.

#### **REJILLA DE LA PARRILLA**

La manera más sencilla de limpiar la parrilla consiste en hacerlo inmediatamente después de finalizar la cocción y de apagar las llamas. Use un guante para barbacoa para proteger su mano del calor y del vapor. Sumerja un cepillo para barbacoa con cerdas de latón en agua de grifo y refriegue la parrilla caliente. Sumerja la brocha frecuentemente en la fuente de agua. El vapor que se genera a medida que el agua entra en contacto con la parrilla caliente ayuda al proceso de limpieza ablandando cualquier partícula de alimentos. Las partículas de alimentos se caerán y quemarán. La limpieza será más difícil si deja enfriar la rejilla.

#### **BANDEJA DE RECOLECCIÓN DE GRASA**

La bandeja de recolección de grasa se debe vaciar, limpiar periódicamente y lavar con una solución de detergente suave y agua tibia. Se puede colocar una pequeña cantidad de arena o arena para gatos en la parte inferior de la bandeja de recolección de grasa para absorber la grasa. Verifique frecuentemente la bandeja de recolección de grasa. No permita que se acumule exceso de grasa en la bandeja de recolección de grasa para que ésta no se rebalse.

#### **QUEMADORES DE LA PARRILLA**

Se debe tener mucho cuidado al retirar un quemador ya que éste debe estar debidamente centrado en el orificio antes de intentar encender nuevamente la parrilla. La frecuencia con la que se realice la limpieza dependerá de la frecuencia con la que se la utilice.

Las arañas y los insectos pequeños pueden generar telas de araña o construir nidos en los tubos de los quemadores de la parrilla durante el transporte y almacenamiento. Estas telas de araña pueden provocar una obstrucción en el flujo de gas, lo que podría causar incendios en los tubos de los quemadores y a su alrededor. Este tipo de incendio se

conoce como retroceso de llamas y puede causar graves daños a la parrilla y crear una condición de operación insegura para el usuario. Aunque un tubo de quemador obstruido no es la única causa del retroceso de llamas, es la causa más común. Para disminuir la posibilidad de que ocurra un retroceso de llamas, debe limpiar los tubos del quemador antes de ensamblar la parrilla, y al menos una vez al mes a fines del verano o a principios de otoño, cuando las arañas están más activas. Además, realice este procedimiento de limpieza del tubo del quemador si la parrilla no se ha utilizado por un extenso período de tiempo.

Debe inspeccionar los quemadores al menos una vez al año o inmediatamente después de que ocurran las siguientes condiciones:

1. Percibe olor a gas y las llamas del quemador son amarillas.
2. La parrilla no levanta temperatura.
3. La parrilla no calienta de manera uniforme.
4. Los quemadores producen estallidos.



### ADVERTENCIA

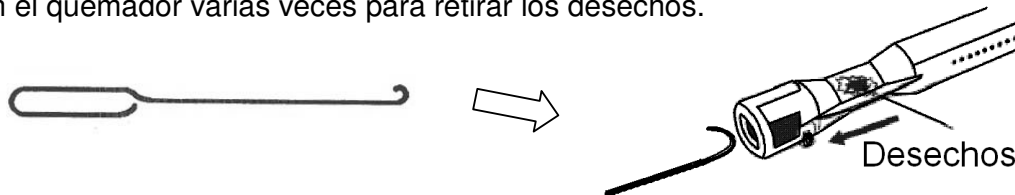
ASEGÚRESE de que el suministro de gas y las perillas estén en la posición "OFF".

### Limpieza de los tubos del quemador y los orificios del quemador

Para disminuir la posibilidad de que ocurra un **RETROCESO DE LLAMAS**, debe limpiar los tubos del quemador como se indica al menos una vez al mes en verano y otoño, o cuando las arañas están activas en su área, y si la parrilla no se ha usado por un largo período de tiempo.

1. Gire todas las válvulas de los quemadores a la posición OFF.
2. Gire la válvula del tanque de gas PL a la posición OFF.
3. Retire el ensamble del regulador de gas PL de la parrilla a gas.
4. Retire las rejillas de cocción y los difusores de calor.
5. Retire el pasador de chaveta de la parte posterior de cada quemador.
6. Levante cuidadosamente cada quemador y aléjelo del orificio de la válvula de gas.
7. Revise que no haya nidos de insectos ni insectos en el quemador/venturi. Un tubo obstruido puede ocasionar un incendio debajo de la parrilla.
8. Consulte el diagrama a continuación y realice uno de estos tres métodos de limpieza:

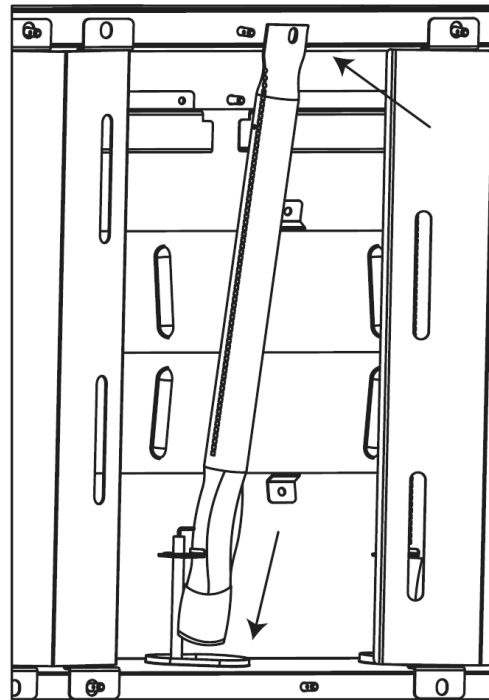
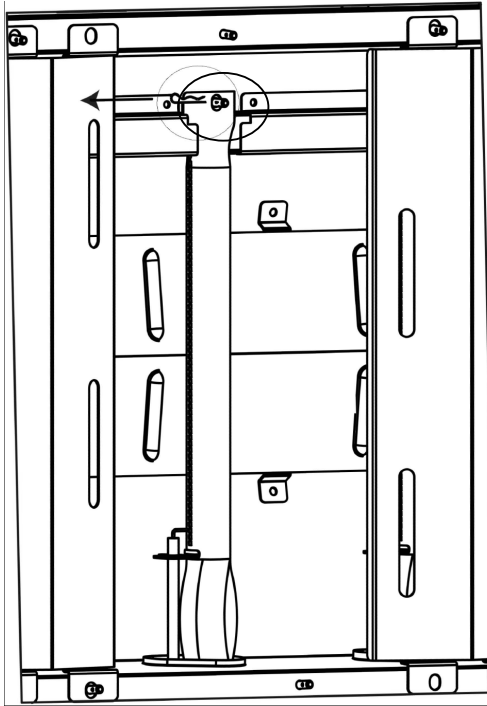
- **MÉTODO 1:** Doble un alambre duro o un colgador de alambre en forma de un pequeño gancho como se muestra y páselo por cada tubo de quemador e insértelo en el quemador varias veces para retirar los desechos.



- **MÉTODO 2:** Use un cepillo limpiabotellas con una manija flexible y páselo por cada tubo de quemador e insértelo en el quemador varias veces para retirar cualquier desecho.
- **MÉTODO 3:** Use una manguera de aire comprimido para forzar aire por cada tubo de quemador. El aire forzado debe empujar los desechos u obstrucciones por el quemador y fuera de los orificios.

## REEMPLAZO DE LOS QUEMADORES

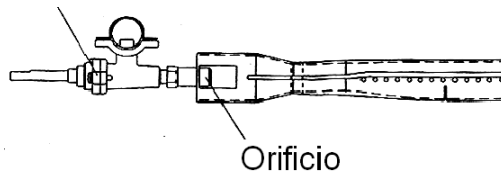
1. Retire el pasador de chaveta del pasador de sujeción de los quemadores.
2. Retire el quemador como se muestra a continuación.



### ⚠️ ADVERTENCIA ⚠️

Para un funcionamiento seguro, asegúrese de que el orificio del ensamble de la válvula de gas esté dentro del tubo del quemador antes de usar la parrilla. Consulte la figura. Si el orificio no se encuentra dentro del tubo del quemador, prender el quemador podría causar una explosión y/o incendio y causar lesiones corporales graves y/o daños a la propiedad.

Válvula de gas



### ⚠️ PRECAUCIÓN ⚠️

- No debe haber materiales combustibles, gasolina ni otros vapores o líquidos inflamables cerca de la zona donde está el artefacto a gas para cocción en exteriores.
- No obstruya el flujo del aire de combustión ni del aire de ventilación.
- Mantenga despejados y limpios todos los orificios de ventilación del compartimiento del cilindro. Revise que no haya nidos de insectos ni insectos en los quemadores/venturi. En caso de haberlos, límpielos. Un tubo obstruido puede ocasionar un incendio debajo de la parrilla.

## SOLUCIÓN DE PROBLEMAS

### Si la parrilla no enciende:

1. Corte el gas en el suministro y gire las perillas de control a la posición OFF. Espere al menos cinco minutos para que se disipe el gas, luego vuelva a intentarlo.
2. Si la parrilla aún no enciende, revise el suministro de gas y las conexiones.
3. Repita el procedimiento de encendido. Si la parrilla aún no funciona, corte el gas del suministro, gire las perillas de control a la posición OFF, luego revise lo siguiente:

Problema	Causa posible	Acción correctiva
Si la parrilla no enciende	Alineación incorrecta de los tubos del quemador sobre los orificios.	Vuelva a colocar los tubos del quemador sobre los orificios.
	Obstrucción en la línea de gas	Retire la línea de combustible de la parrilla. No fume. Abra el suministro de gas por un segundo para limpiar cualquier obstrucción de la línea de combustible. Cierre el suministro de gas desde la fuente y vuelva a conectar la línea de combustible a la parrilla.
	El orificio está tapado	Retire el tornillo de la parte posterior de cada quemador con un destornillador Phillips. Retire el orificio de la válvula de gas y limpie suavemente cualquier obstrucción con un alambre fino. Luego vuelva a instalar todos los orificios, los quemadores, los pernos de fijación y los componentes de cocción. Si sospecha que hay una obstrucción en las válvulas de gas o el tubo colector, llame a Servicio al Cliente.
	Obstrucción en los tubos de los quemadores	Siga el procedimiento de limpieza de los tubos de los quemadores en la página 75 de este manual del operador.
	Alineación incorrecta del encendedor en el quemador	Revise la correcta ubicación de la punta del electrodo, que debe apuntar hacia un orificio de quemador. El espacio entre la punta del electrodo de chispas y el receptor de chispas debe ser de aproximadamente 0,48 cm. Ajuste si es necesario. Con el suministro de gas cerrado y todas las perillas de control en la posición OFF, presione la tapa del encendedor eléctrico y revise si hay chispas en el electrodo.
	Los cables eléctricos están desconectados	Inspeccione la caja de unión del encendedor que se encuentra detrás del panel de control. Conecte los cables eléctricos sueltos a la caja de unión e intente encender la parrilla.
	La batería AA está baja	Destornille la tapa del encendedor y reemplace las baterías.

Si la parrilla aún no enciende	Bloqueo de línea de gas	Es posible que deba purgar aire de la línea de gas o reiniciar el dispositivo de flujo de gas en exceso del regulador. <b>Nota:</b> Este procedimiento se debe hacer cada vez que se conecta un nuevo tanque de gas PL a la parrilla.
--------------------------------	-------------------------	---

Para purgar aire de la línea de gas y/o reiniciar el dispositivo de flujo de gas en exceso del regulador:

- Gire las perillas de control hasta la posición OFF.
- Corte el gas desde la válvula del tanque.
- Desconecte el regulador del tanque de gas PL.
- Deje la unidad en posición vertical 5 minutos para permitir que el aire se purgue.
- Vuelva a conectar el regulador al tanque de gas PL.
- Abra las tapas de la parrilla.
- Gire LENTAMENTE la válvula del tanque 1/4 de vuelta.
- Presione la perilla de control central y gírela al máximo hasta la posición HIGH
- Presione el encendedor eléctrico por 3 a 4 segundos para encender los quemadores.

### **ADVERTENCIA**

Si ocurriera un RETROCESO DE LLAMAS en los tubos de los quemadores o a su alrededor, siga las instrucciones a continuación. Si no sigue estas instrucciones, se podría provocar un incendio o una explosión que causaría lesiones corporales graves, la muerte o daños a la propiedad.

- Cierre el suministro de gas hacia la parrilla a gas.
- Gire las perillas de control hasta la posición OFF.
- Abra las tapas de la parrilla.
- Apague cualquier llama con un extintor de incendios clase B.
- Una vez que la parrilla se haya enfriado, limpie los tubos del quemador de acuerdo con las instrucciones de limpieza de este manual del operador.

### **ADVERTENCIA**

Si no sigue estas instrucciones, se podría provocar un incendio o una explosión que causaría lesiones corporales graves, la muerte o daños a la propiedad.

- No debe haber materiales combustibles, gasolina ni otros vapores o líquidos inflamables cerca de la parrilla.
- No obstruya el flujo del aire de combustión ni de ventilación.
- Mantenga los orificios de ventilación del gabinete del compartimiento del tanque despejados y limpios.

## **GARANTÍA**

El fabricante garantiza este producto para el quemador por 5 años y las piezas de repuesto por 1 año desde la fecha de compra. La pintura no está garantizada y es posible que requiera retoques. Los artículos que se consideran fungibles como las baterías no están cubiertos por esta garantía. Si tiene consultas o desea solicitar mantenimiento, llame a nuestro Departamento de Servicio al Cliente al 1-800-963-0211, de lunes a jueves de 8 a.m. a 6 p.m., y los viernes de 8 a.m. a 5 p.m., hora estándar del Este.

Esta garantía limitada se aplica exclusivamente al consumidor original presentando un comprobante de la compra. Esta garantía está limitada sólo para uso residencial no comercial. Cualquier producto devuelto se debe enviar prepagado. Esta garantía no cubre el desgaste normal ni desgarros o daños producto de abuso o uso indebido. Esta garantía excluye costos accidentales o resultantes debido a daños o la pérdida de personas o propiedad de cualquier naturaleza.

**AVISO: Algunos estados no permiten la exclusión o limitación de daños accidentales o resultantes, o limitaciones en cuanto al período de duración de una garantía, de modo que las limitaciones o exclusiones anteriores pueden no aplicarse a usted.**

Esta garantía le otorga derechos legales específicos, pero podría tener también otros derechos que pueden variar según el estado.

## **LISTA DE PIEZAS DE REPUESTO**

Para piezas de repuesto, llame a nuestro Departamento de Servicio al Cliente al 1-800-963-0211, de lunes a jueves de 8 a.m. a 6 p.m. y los viernes de 8 a.m. a 5 p.m., hora estándar del Este.

<b>Pieza</b>	<b>Descripción</b>	<b>Cantidad</b>
A1	Quemador	6
A2	Sonda y cable del encendedor	1
A3	Encendedor	1
A4	Estantes laterales (izquierdo y derecho)	1
A5	Protector contra viento	1
B	Carrito	1
C	Manija	2
D	Rueda fija	2
E	Rueda universal	2
F	Difusor de calor	6
G	Parrilla de cocción	3
H	Rejilla para calentar	1
J	Portatanque de gas	1
K	Recipiente de grasa	1
L	Toallero	2
M	Paquete de tornillos y tuercas	1
N	Perilla	6
O	Regulador	1

Impreso en China