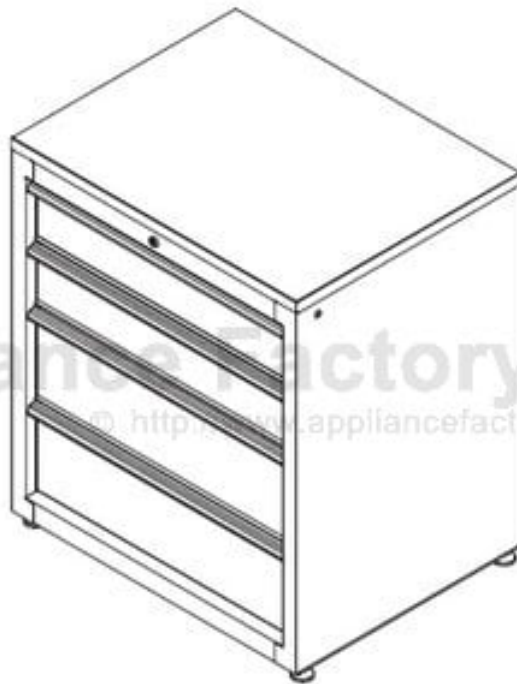


This Owner's Manual is provided and hosted by [Appliance Factory Parts](#).



Master Forge 211-4389 Owner's Manual

[Shop genuine replacement parts for Master Forge
211-4389](#)

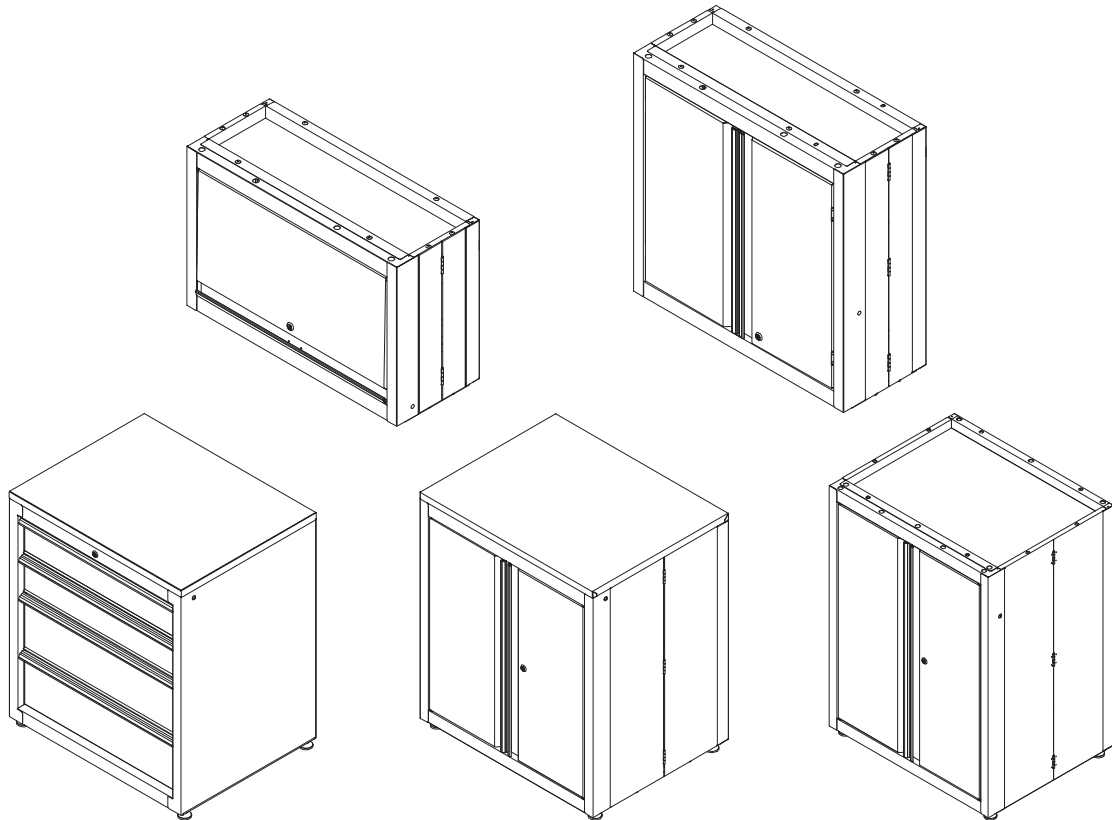


[Find Your Master Forge Other Parts - Select From 8 Models](#)

----- Manual continues below -----



Garage Organization System



Actual product may differ slightly from image shown

EACH UNIT SOLD SEPARATELY

1-Door
Wall Cabinet
Model#:
211-4381

2-Door
Wall Cabinet
Model#:
211-4396

4-Drawer
Base Cabinet
Model#:
211-4389

2-Door Base
Cabinet
Model#:
211-4361

2-Door Stacking
Cabinet
Model#:
211-4368

OPERATOR'S MANUAL

CAUTION: To Reduce The Risk Of Injury, User Must Read And Understand Operator's Manual. Save These Instructions For Future Reference.

TABLE OF CONTENTS

Safety Symbols	3
Safety Instructions.....	4
Parts List	5
Assembly and Operation.....	9
Maintenance and Safety.....	22

SAFETY SYMBOLS

CAUTION:

1. Read and follow all safety and assembly instructions before using this product for the first time.






2. Fill in the following information and retain the manual for future reference:

Model #: _____

Place of purchase: _____

Date of purchase: _____

Receipt # of purchase: _____

	Do not open more than one drawer at a time.
	Do not step on drawers.
	Do not allow children near the unit.
	Lock drawers and doors before moving the unit.
	Do not lift unit by yourself.

SAFETY INSTRUCTIONS

The purpose of safety symbols is to attract our attention to possible dangers. The safety symbols, and the explanations with them, deserve your careful attention and understanding. The symbol warnings do not by themselves eliminate any danger. The instructions and warnings they give are no substitute for proper accident prevention measures.

⚠ WARNING: Be sure to read and understand all safety instructions in this manual, including all safety alert symbols such as "DANGER," "WARNING," and "CAUTION," before using this product. Failure to follow all instructions listed below may result in electric shock, fire and/or serious personal injury.

SYMBOL MEANING



SAFETY ALERT SYMBOL: Indicates DANGER, WARNING, or CAUTION. May be used in conjunction with other symbols or pictographs.

⚠ DANGER: Failure to obey this warning WILL result in death or serious injury to yourself or to others. Always follow the safety precautions to reduce the risk of personal injury.

⚠ WARNING: Failure to obey this safety warning CAN result in death or serious injury to yourself or to others. Always follow the safety precautions to reduce the risk of personal injury.

⚠ CAUTION: Failure to obey this safety warning MAY result in personal injury to yourself or others or property damage. Always follow the safety precautions to reduce the risk of personal injury.

COMMON PARTS LIST



M6 x 16 Phillips Head Bolt
#320174



M6 x35 Hex Flange Bolt
#321208
**IMPORTANT PART
FOR STACKING CABINET**



M6 x 40 Hex Tapping Screw
#320328



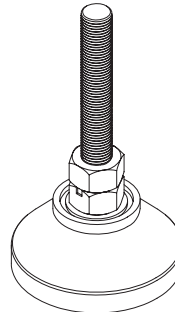
M6 x 65 Hex Tapping Screw
#320316



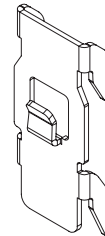
Washer
#324050



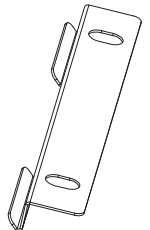
M6 Hex Flange Nut
#323085



Adjustable Feet
#110068



Shelf Support
#226078



Bracket
#234542

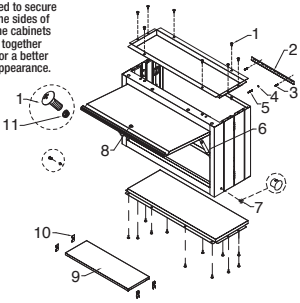
PARTS LIST

For service regarding parts, assembly or warranty information, please call: 1-800-459-4409.

1-DOOR WALL CABINET

The keys are placed inside the cabinet.

These bolts and nuts are used to secure the sides of the cabinets together for a better appearance.



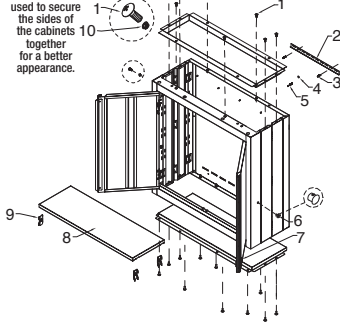
Ref#	Description	Part#	Qty
1	M6 x 16 Phillips Head Bolt	320174	21 pcs
2	Mounting Bracket	233958	1 pc
3	M6 x 40 Hex Tapping Screw	320328	2 pcs
4	Washer	324050	1 pc
5	M6 x 65 Hex Tapping Screw	320316	1 pc
6	Gas Strut	303002	2 pcs
7	End Cup	314195	2 pcs
8	Lock and Key (001)	304075	1 pc
9	Shelf	233955	1 pc
10	Shelf Support	226078	4 pcs
11	M6 Hex Flange Nut	323085	1 pc

Not all parts are available under warranty. Those parts not available may be purchased.

2-DOOR WALL CABINET

The keys are placed inside the cabinet.

These bolts and nuts are used to secure the sides of the cabinets together for a better appearance.



Ref#	Description	Part#	Qty
1	M6 x 16 Phillips Head Bolt	320174	21 pcs
2	Mounting Bracket	233958	1 pc
3	M6 x 40 Hex Tapping Screw	320328	2 pcs
4	Washer	324050	1 pc
5	M6 x 65 Hex Tapping Screw	320316	1 pc
6	End Cup	314195	2 pcs
7	Lock and Key (001)	304075	1 pc
8	Shelf	233955	1 pc
9	Shelf Support	226078	4 pcs
10	M6 Hex Flange Nut	323085	1 pc

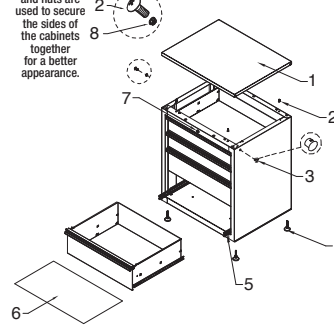
PARTS LIST

For service regarding parts, assembly or warranty information, please call: 1-800-459-4409.

4-DRAWER BASE CABINET

The keys are placed inside the cabinet.

These bolts and nuts are used to secure the sides of the cabinets together for a better appearance.



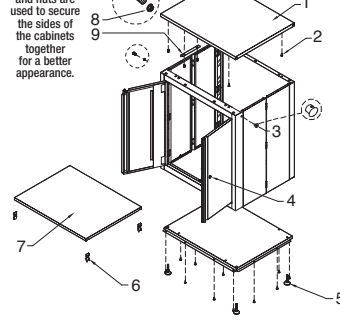
Ref#	Description	Part#	Qty
1	Work Top	116219	1 pc
2	M6 x 16 Phillips Head Bolt	320174	5 pcs
3	End Cup	314195	2 pcs
4	Adjustable Feet	110068	4 pcs
5	Slide Set	300176-300177	4 pcs
6	Drawer Liner	551793	4 pcs

Not all parts are available under warranty. Those parts not available may be purchased.

2-DOOR BASE CABINET

The keys are placed inside the cabinet.

These bolts and nuts are used to secure the sides of the cabinets together for a better appearance.

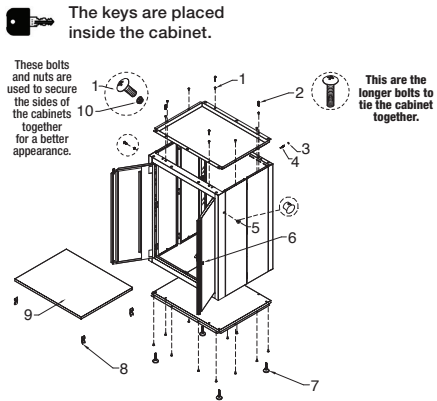


Ref#	Description	Part#	Qty
1	Work Top	116219	1 pc
2	M6 x 16 Phillips Head Bolt	320174	21 pcs
3	End Cup	314195	2 pcs
4	Lock and Key (001)	304075	1 pc
5	Adjustable Feet	110068	4 pcs
6	Shelf Support	226078	4 pcs
7	Shelf	116214	1 pc
8	M6 Hex Flange Nut	323085	1 pc
9	Bracket	234542	2 pcs

PARTS LIST

For service regarding parts, assembly or warranty information, please call: 1-800-459-4409.

2-DOOR STACKING CABINET



Ref#	Description	Part#	Qty
1	M6 x 16 Phillips Head Bolt	320174	21 pcs
2	M6 x 35 Hex Flange Bolt	321208	4 pcs
3	Washer	324050	1 pc
4	M6 x 65 Hex Tapping Screw	320316	1 pc
5	End Cup	314195	2 pcs
6	Lock and Key (001)	304075	1 pc
7	Adjustable Feet	110068	4 pcs
8	Shelf Support	226078	4 pcs
9	Shelf	116214	1 pc
10	M6 Hex Flange Nut	323085	1 pc

Not all parts are available under warranty. Those parts not available may be purchased.

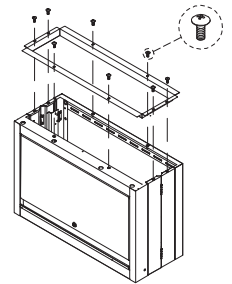
ASSEMBLY AND OPERATION

Assembly is **VERY EASY**, however there are a few key steps that must be followed. **THESE KEY STEPS ARE HIGHLIGHTED IN BOLD CAPS. FOLLOW THESE TO EXPEDITE ASSEMBLY.**

NECESSARY TOOLS REQUIRED FOR ASSEMBLY

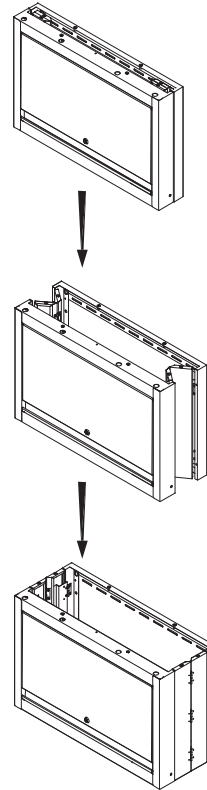
- Phillips head screwdriver
- Drill/driver optional to speed up the assembly

Attach the top panel to the cabinet using eight M6 x 16 Phillips head bolts.



1-DOOR WALL CABINET

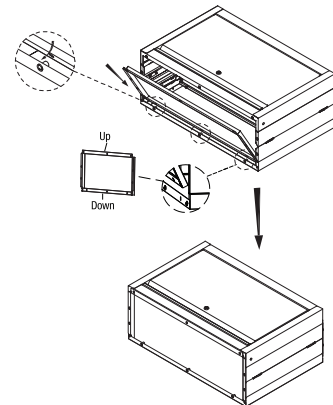
Carefully separate the front and back panels, allowing the side panels to unfold completely.



Carefully lay the cabinet on its back on a soft surface to protect the finish.

INSERT THE LIP OF THE BOTTOM PANEL INTO THE SLOT ON THE BACK OF THE CABINET, MAKING SURE THAT THE HOLES ALIGN.

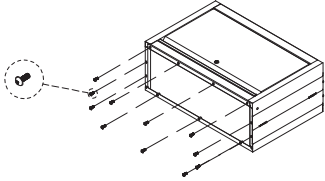
TILT THE BOTTOM PANEL ONTO THE BOTTOM OF THE CABINET.



Continue on the next page

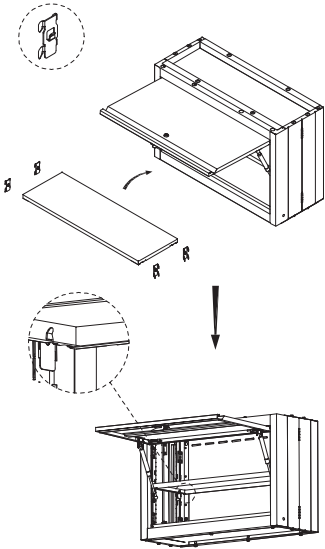
ASSEMBLY AND OPERATION

Attach the bottom panel to the cabinet using eleven M6 x 16 Phillips head bolts.



Insert four shelf supports inside the cabinet at the desired height.

Place the shelf on the shelf supports.



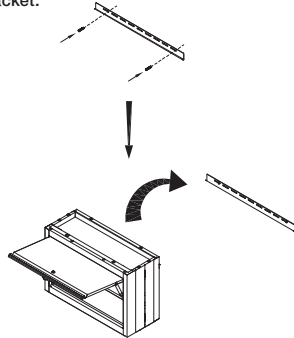
The cabinet weight capacity is determined by the stability of the surface it is mounted to. **FOR BEST RESULTS, WALL CABINETS SHOULD BE MOUNTED TO STUDS OR OTHER SOLID SURFACES.** Do not mount to drywall as it will not support the required weight and poses a danger if mounted incorrectly.

CAUTION: The maximum shelf capacity should be no more than 50 lbs

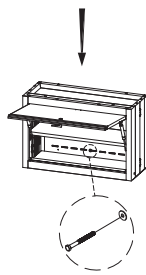
Attach the mounting bracket to the wall at the desired height using two M6 x 40 hex tapping screws, making sure the bracket is level.



Hang the wall cabinet on the mounting bracket.



Fasten the wall cabinet to the wall with a M6 x 65 hex tapping screw and washer.

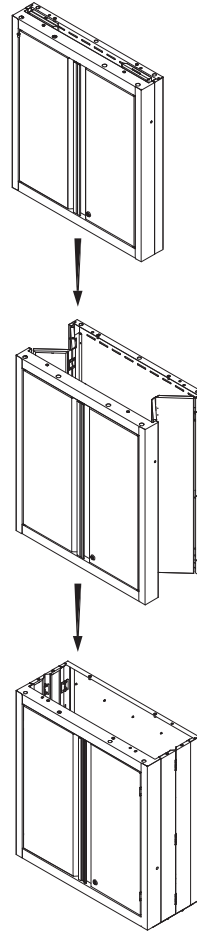


ASSEMBLY AND OPERATION

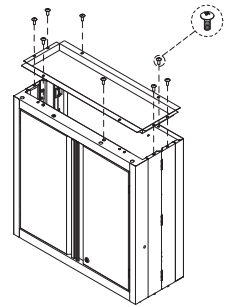
Assembly is **VERY EASY**, however there are a few key steps that must be followed. **THESE KEY STEPS ARE HIGHLIGHTED IN BOLD CAPS. FOLLOW THESE TO EXPEDITE ASSEMBLY.**

2-DOOR WALL CABINET

Carefully separate the front and back panels, allowing the side panels to unfold completely.



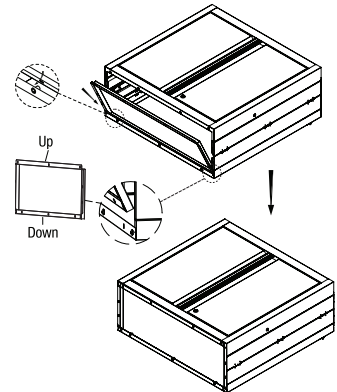
Attach the top panel to the cabinet using eight M6 x 16 Phillips head bolts.



Carefully lay the cabinet on its back on a soft surface to protect the finish.

INSERT THE LIP OF THE BOTTOM PANEL INTO THE SLOT ON THE BACK OF THE CABINET, MAKING SURE THAT THE HOLES ALIGN.

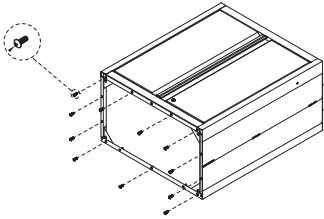
TILT THE BOTTOM PANEL ONTO THE BOTTOM OF THE CABINET.



Continue on the next page

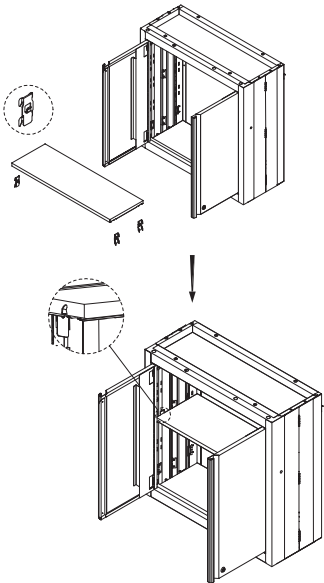
ASSEMBLY AND OPERATION

Attach the bottom panel to the cabinet using eleven M6 x 16 Phillips head bolts.



Insert four shelf supports inside the cabinet at the desired height.

Place the shelf on the shelf supports.



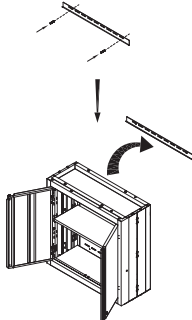
The cabinet weight capacity is determined by the stability of the surface it is mounted to. **FOR BEST RESULTS, WALL CABINETS SHOULD BE MOUNTED TO STUDS OR OTHER SOLID SURFACES.** Do not mount to drywall as it will not support the required weight and poses a danger if mounted incorrectly.

CAUTION: The maximum shelf capacity should be no more than 50 lbs

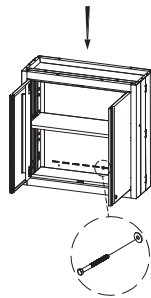
Attach the mounting bracket to the wall at the desired height using two M6 x 40 hex tapping screws.



Hang the wall cabinet on the mounting bracket.



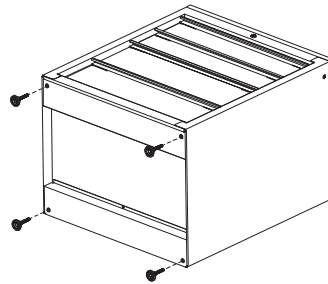
Fasten the wall cabinet to the wall with a M6 x 65 hex tapping screw and washer.



ASSEMBLY AND OPERATION

4-DRAWER BASE CABINET

Carefully lay the cabinet on its back on a soft surface to protect the finish. Screw the four adjustable feet onto the bottom of the cabinet.

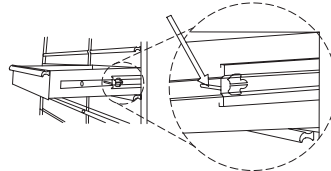


To replace a drawer, extend the drawer slides from the cabinet. Insert the brackets on each side of the drawer into the slots in the cabinet slides, **BEING CAREFUL THAT THEY ARE POSITIONED PROPERLY.** Once properly inserted, completely close the drawer to set the slides in their proper positions.

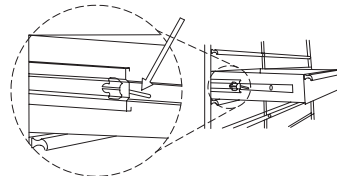
CAUTION: The maximum weight for each drawer should be no more than 100 lbs

To remove a drawer, pull the drawer out so it is almost fully extended. **PUSH UP ON THE RIGHT** hand black release lever, while **PULLING DOWN ON THE LEFT** hand black release lever. While holding the levers in the positions as instructed above, pull the drawer outward until it is released from the drawer slide.

PUSH UP (RIGHT HAND SIDE)



PULL DOWN (LEFT HAND SIDE)

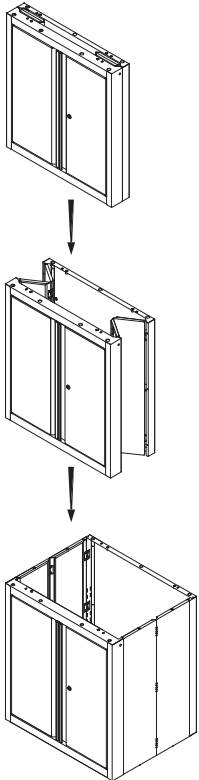


ASSEMBLY AND OPERATION

Assembly is **VERY EASY**, however there are a few key steps that must be followed. **THESE KEY STEPS ARE HIGHLIGHTED IN BOLD CAPS. FOLLOW THESE TO EXPEDITE ASSEMBLY.**

2-DOOR BASE CABINET

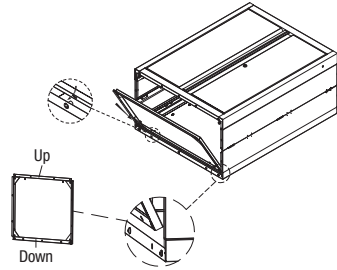
Carefully separate the front and back panels, allowing the side panels to unfold completely.



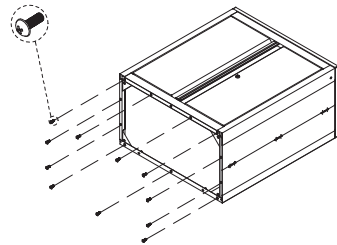
Carefully lay the cabinet on its back on a soft surface to protect the finish.

INSERT THE LIP OF THE BOTTOM PANEL INTO THE SLOT ON THE BACK OF THE CABINET, MAKING SURE THAT THE HOLES ALIGN.

TILT THE BOTTOM PANEL ONTO THE BOTTOM OF THE CABINET.



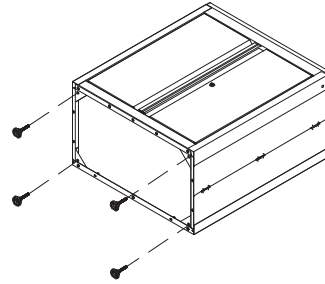
Attach the bottom panel to the cabinet using eleven M6 x 16 Phillips head bolts.



Continue on the next page

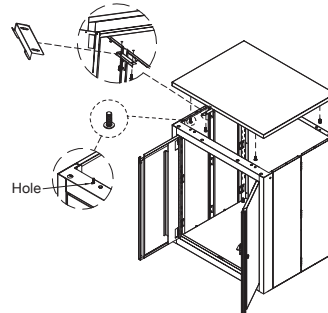
ASSEMBLY AND OPERATION

Screw four adjustable feet into the bottom of the cabinet.



Attach the work top to the cabinet using four M6 x 16 Phillips head tapping bolts.

Install two brackets to the inside top of the cabinet side and work top using four M6 x 16 Phillips head bolts. The brackets will make the side panels stronger.

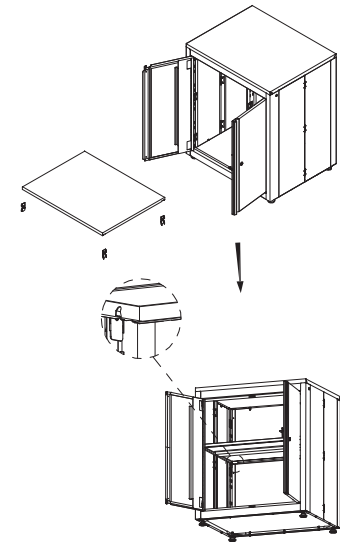


Insert four shelf supports inside the cabinet at the desired height.

Note: to use the locking mechanism, the shelf must be placed in the center position.

Place the shelf on the shelf supports.

CAUTION: The maximum shelf capacity should be no more than 150 lbs

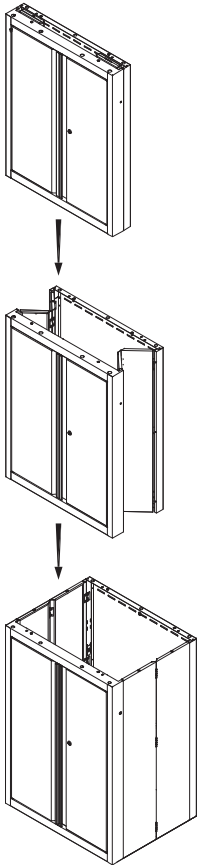


ASSEMBLY AND OPERATION

Assembly is **VERY EASY**, however there are a few key steps that must be followed. **THESE KEY STEPS ARE HIGHLIGHTED IN BOLD CAPS. FOLLOW THESE TO EXPEDITE ASSEMBLY.**

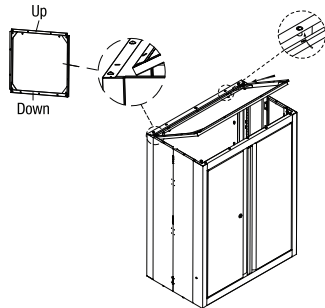
2-DOOR STACKING CABINET

Carefully separate the front and back panels, allowing the side panels to unfold completely.



NOTE: IF YOU ARE STACKING TWO CABINETS, YOU NEED TO PICK ONE CABINET TO BE ON THE TOP AND ONE CABINET TO BE ON THE BOTTOM.

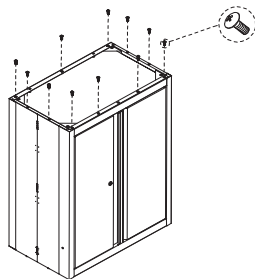
ASSEMBLE THE BOTTOM CABINET FIRST. Start by turning the cabinet on its top and attaching the bottom as shown below.



TILT THE BOTTOM PANEL ONTO THE BOTTOM OF THE CABINET.

INSERT THE LIP OF THE BOTTOM PANEL INTO THE SLOT ON THE BACK OF THE CABINET, MAKING SURE THAT THE HOLES ALIGN.

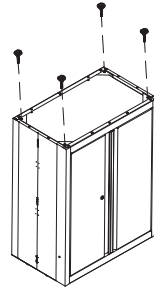
Attach the bottom panel to the cabinet using eleven M6x16 Phillips head bolts.



Continue on the next page

ASSEMBLY AND OPERATION

Screw four adjustable feet into the bottom of the cabinet.



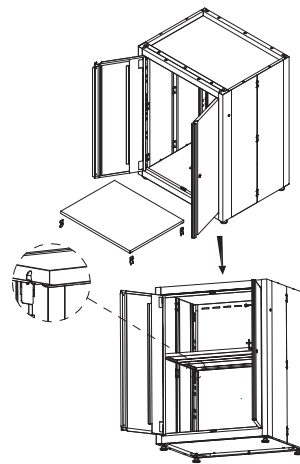
Turn cabinet over, setting it on the four leveling feet.

Insert four shelf supports inside the cabinet at the desired height.

Note: to use the locking mechanism, the shelf must be placed in the center position.

Place the shelf on the shelf supports.

CAUTION: The maximum shelf capacity should be no more than 150 lbs



FOR THE BOTTOM CABINET, PLACE THE TOP PANEL ON THE CABINET, BUT DO NOT ATTACH WITH THE BOLTS.

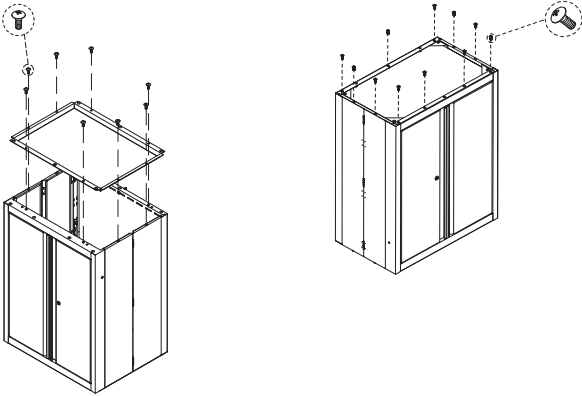
For the top cabinet, assembly continued on the next page

ASSEMBLY AND OPERATION

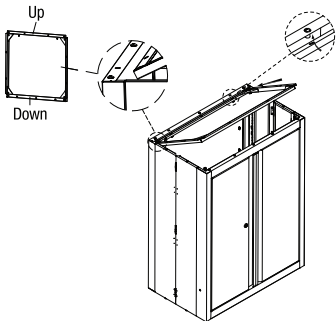
Assembly is **VERY EASY**, however there are a few key steps that must be followed. **THESE KEY STEPS ARE HIGHLIGHTED IN BOLD CAPS. FOLLOW THESE TO EXPEDITE ASSEMBLY.**

FOR THE TOP CABINET, ATTACH THE TOP PANEL TO THE CABINET USING EIGHT M6 X 16 PHILLIPS HEAD BOLTS.

Attach the bottom panel to the cabinet using eleven M6x16 Phillips head bolts.



Turn the cabinet over and assemble the bottom panel as shown below.



TILT THE BOTTOM PANEL ONTO THE BOTTOM OF THE CABINET.

INSERT THE LIP OF THE BOTTOM PANEL INTO THE SLOT ON THE BACK OF THE CABINET, MAKING SURE THAT THE HOLES ALIGN.

ASSEMBLY AND OPERATION

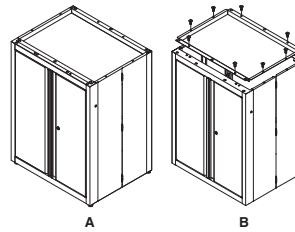
Assembly is **VERY EASY**, however there are a few key steps that must be followed. **THESE KEY STEPS ARE HIGHLIGHTED IN BOLD CAPS. FOLLOW THESE TO EXPEDITE ASSEMBLY.**

STACKING CABINETS REVIEW

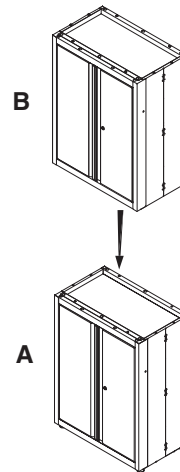
To stack two cabinets, you first need to assemble two cabinets.

BOTTOM CABINET (A): Install the bottom panel, adjustable feet and shelf. **PLACE THE TOP PANEL IN PLACE. DO NOT USE BOLTS, THEY WILL INTERFERE WITH STACKING.**

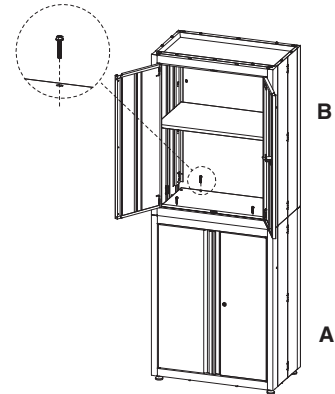
TOP CABINET (B): Install the top panel, bottom panel and shelf.



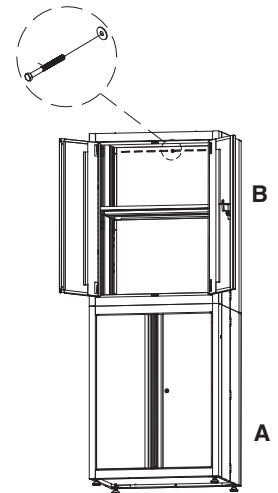
Place your top cabinet (B) on top of your bottom cabinet (A).



CONNECT THE CABINETS USING FOUR LONG M6 X 35 HEX FLANGE BOLTS.



Fasten the top cabinet to the wall using one M6 x 65 hex tapping screw.

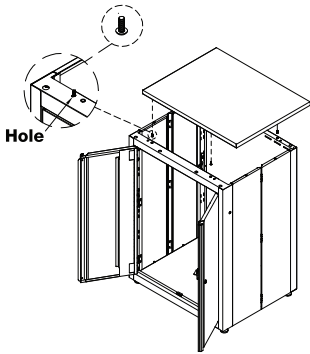


ASSEMBLY AND OPERATION

OPTIONAL: WORK TOP

The taller "stacking cabinet" can also be used as a base cabinet. You can replace the metal top that comes with the unit with an optional stainless steel top (sold separately).

This base cabinet and top will match the height of any of Masterforce roller cabinet (72" excluded).



Optional work top available.

NOTE: Do not stack another cabinet on top of the work top.

30" X 24" STAINLESS STEEL WORK TOP	211-4388
------------------------------------	----------

OPTIONAL: LAMINATE COUNTER TOP

Masterforce cabinets are built to the same size specification as most kitchen cabinetry. This offers a very unique opportunity to combine the durability of metal cabinets with the beauty and versatility of Customcraft laminate counter tops.

Choose from over 200 colors and 12 edge profiles to finish off your workspace in style. These beautiful tops also allow you to integrate undercounter free space into your design for more versatility and variety.

ASSEMBLY AND OPERATION

OPTIONAL: DIFFERENT COLORS TRIM

Door and drawer trim is available in six different colors to further customize your design. Traditional silver, blue, red, orange, gold and pink are available through our Special Order catalogue and can be delivered to your store in less than seven days!

BLUE PULLS	SKU
2 DOOR BASE CABINET	211-4362
2 DOOR STACKING CABINET	211-4371
1 DOOR WALL CABINET	211-4377
2 DOOR WALL CABINET	211-4383
4 DRAWER BASE CABINET	211-4391

RED PULLS	SKU
2 DOOR BASE CABINET	211-4363
2 DOOR STACKING CABINET	211-4373
1 DOOR WALL CABINET	211-4378
2 DOOR WALL CABINET	211-4382
4 DRAWER BASE CABINET	211-4394

SILVER PULLS	SKU
2 DOOR BASE CABINET	211-4364
2 DOOR STACKING CABINET	211-4374
1 DOOR WALL CABINET	211-4380
2 DOOR WALL CABINET	211-4386
4 DRAWER BASE CABINET	211-4395

GOLD PULLS	SKU
2 DOOR BASE CABINET	211-4365
2 DOOR STACKING CABINET	211-4372
1 DOOR WALL CABINET	211-4379
2 DOOR WALL CABINET	211-4384
4 DRAWER BASE CABINET	211-4393

ORANGE PULLS	SKU
2 DOOR BASE CABINET	211-4366
2 DOOR STACKING CABINET	211-4369
1 DOOR WALL CABINET	211-4375
2 DOOR WALL CABINET	211-4385
4 DRAWER BASE CABINET	211-4390

PINK PULLS	SKU
2 DOOR BASE CABINET	211-4367
2 DOOR STACKING CABINET	211-4370
1 DOOR WALL CABINET	211-4376
2 DOOR WALL CABINET	211-4387
4 DRAWER BASE CABINET	211-4392



Garage Organization System

LIMITED LIFETIME WARRANTY

MASTERFORCE® Tool Cabinets and Chests have been manufactured to the highest standards of quality and workmanship and are warranted to be free from defects in materials and workmanship under normal use for the lifetime that you own the product. If any part of the product is found to be defective during normal use, the defective product or part will be replaced at our discretion. This warranty does not cover products that are damaged through accident, abuse, misuse, commercial/industrial applications or neglect. This warranty also does not cover any losses, injuries or costs including indirect, incidental or consequential damages. This warranty may not be transferred or sold. When requesting warranty service please have the model number, cash register receipt and the date of purchase available when you call. If the product is defective, we will replace the defective part at no cost to you. Some states do not allow the exclusion or limitation of incidental or consequential damages, so the above limitations or exclusions may not apply to you. This warranty gives you specific legal rights and you may have other rights, which vary from state to state.

For questions / comments, technical assistance or repair parts,
call toll free: 1-800-459-4409 (M-F, 8am-5pm, CST)

**SAVE YOUR RECEIPTS
THIS WARRANTY IS VOID WITHOUT THEM**



©2016 Menard, Inc., Eau Claire, WI 54703

10/2016