

This Owner's Manual is provided and hosted by [Appliance Factory Parts](#).



Grand Hall BCR08ANG090 Owner's Manual

[Shop genuine replacement parts for Grand Hall
BCR08ANG090](#)



[Find Your Grand Hall Grill Parts - Select From 203 Models](#)

----- Manual continues below -----



America's Barbecue Grill Superstores



Grand Turbo Crossray Operator's Manual

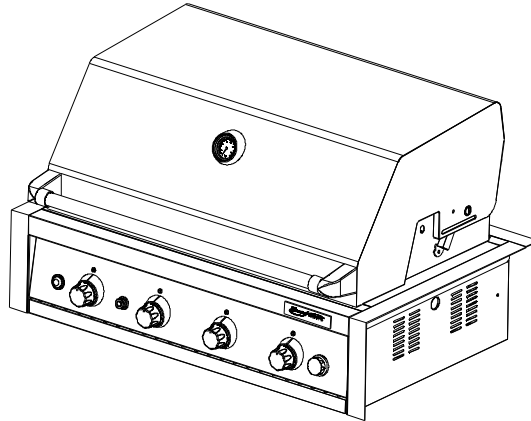


Liquid Propane Gas (LPG) Grill

Model BCR08ALP090

Natural Gas (NG) Grill

Model BCR08ANG090



Model BCR08ALP090/NG090

FREE HELP FROM THE GRILL EXPERTS

Grand Hall is the expert on this product and trained to help you with:

- Y Assembly Questions
- Y Grill Operation
- Y Replacement of Damaged or Missing parts

visit www.grandhall.com or call:

1-877-934-7455
Monday - Friday 8:00am-4:30pm CST

IMPORTANT:

Y NOTE TO ASSEMBLER/INSTALLER:

Leave this manual with the consumer.

Y NOTE TO CONSUMER:

Keep this manual for future reference.

Y RECORD YOUR SERIAL # _____

(see silver CSA label on main body of grill)



WARNING



- Y Failure to comply with these instructions could result in a fire or explosion that could cause serious bodily injury, death or property damage.
- Y Whether this grill was assembled by you or someone else, you must read this entire manual before using your grill to ensure the grill is properly assembled, installed and maintained.
- Y **Use your grill at least 3 feet away from any wall or surface.** Use your grill at least **3 feet away** from combustible objects that can melt or catch fire such as vinyl or wood siding, fences and overhangs or sources of ignition including pilot lights on water heaters and live electrical appliances.
- Y THIS GAS APPLIANCE IS DESIGNED FOR OUTDOOR USE ONLY.
- Y **Never** use your gas grill in a garage, porch, shed, breezeway or any other enclosed area.
- Y **Never** obstruct the flow of ventilation air around your gas grill housing.
- Y **Never** disconnect the gas regulator or any gas fitting while your grill is lit. A lit grill can ignite leaking gas and cause a fire or explosion which could result in property damage, personal injury or death.

Table of Contents

Primary Safety Warnings	1-3
Pre-Assembly Instructions	3
Part Diagrams and Lists	4-8
Assembly Instructions	9-11
LP Gas Tank Installation	12-14
Natural Gas Connection	15
Use & Care Instructions:	
• Lighting Instructions	16
• Troubleshooting	17
Rotisserie Instruction	19-20
Cleaning and Maintenance	21
Cooking Guide	A1-A4
Frequently Asked Questions	A5-A6
Warranty Terms	Back Cover



DANGER



If you smell gas:

1. Shut off gas to the appliance.
2. Extinguish any open flame.
3. Open lid.
4. If odor continues, keep away from the appliance and immediately call your gas supplier or your fire department.



WARNING



1. Always keep the Grease/Water Tray 1/2 filled with water during operation. Failure to follow this could result in a grease fire that could cause serious bodily injury or property damage.
2. Handle this Grease/Water tray with a flame retardant BBQ Mitt.



WARNING



1. Do not store or use gasoline or other flammable liquids or vapors in the vicinity of this or any other appliances.
2. An LP cylinder not connected for use shall not be stored in the vicinity of this or any other appliance.

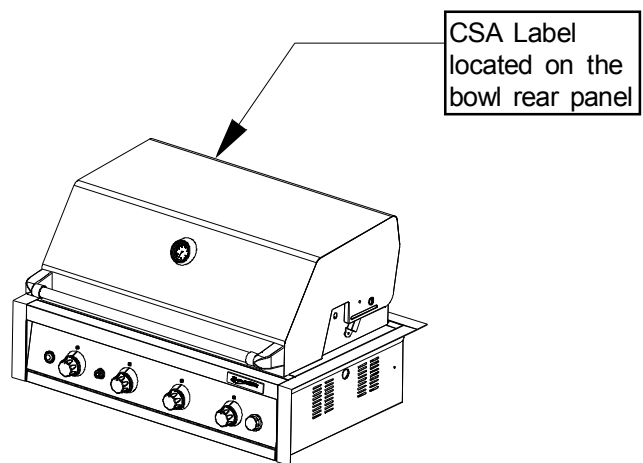


WARNING



- LPG models must be used with Liquid Propane Gas and the regulator assembly supplied. Natural Gas models must be used with Natural Gas only. Any attempt to convert the grill from one fuel type to another is extremely hazardous and will void the warranty.
- Keep gas regulator hose away from hot grill surfaces and dripping grease. Avoid unnecessary twisting of hose. Visually inspect hose prior to each use for cuts, cracks, excessive wear or other damage. If the hose appears damaged do not use the gas grill. Call 1-877-934-7455 for a certified replacement hose.
- **California Proposition 65**
Combustion byproducts produced when using this product contain chemicals known to the State of California to cause cancer, birth defects, or other reproductive harm.

Brass components on the grill, such as hose fittings, propane cylinder valves (sold separately) and burner valve stems, contain lead which is known to the State of California to cause cancer, birth defects, or other reproductive harm.
- **Never use charcoal** or lighter fluid in this gas grill. Failure to comply with these instructions could result in a grease fire or explosion that could cause serious bodily injury, death or property damage.
- The Grease Tray must be visually inspected before each grill use. Remove any grease and wash Grease Tray and Grease Receptacle with a mild soap and warm water solution. **Failure to comply with these instructions could result in a grease fire or explosion that could cause serious bodily injury, death or property damage.**



Pre-Assembly Instructions For Your Safety

Congratulations on your selection of one of the finest outdoor kitchen appliances available. Your Grill is equipped with the unique Crossray Infrared Cooking System® by Grand Hall, which offers restaurant style grilling performance.

Infrared grilling technology cooks the food directly (and not the air around it) which offers many advantages over conventional grilling systems:

- MORE FLAVORFUL FOOD** as the intense heat sears the food and locks in the juices while also cooking it faster which usually means more succulence.
- FEWER FLAREUPS** as the higher infrared heat vaporizes more drippings which also adds natural flavoring to your food.
- MORE EFFICIENCY AND CONVENIENCE** as the higher heat means shorter cooking times, more fuel efficiency and easier year round grilling.

To begin your “restaurant quality” grilling, become familiar with all of the cooking elements of your Grand Hall grill lighting and operating instructions.

IMPORTANT NOTE: Your infrared Grand Hall grill is equipped with an innovative Grease/Water Tray that is designed to trap excess grease drippings but also to moisturize your food. It is important to keep this tray half-filled with water while grilling in order to get the best possible results.

WARNING: Grease and water can get very hot. Always handle the Grease/Water Tray with a flame retardant BBQ Mitt. Before removing the Grease/Water Tray always be sure that the grill has properly cooled. Be aware that the tray does contain water and grease and be extremely careful when removing the tray to prevent spillage. Failure to follow these instructions could cause serious bodily injury or property damage.

US Patented No.:7475632
Europe Patent Pending
Australia Patent No.:2006100635
Germany Patent No.:202006012212.5
France Patent No.:0607231
UK Patent No.:GB2440714
China Patent No.:960361

PRE-ASSEMBLY

Read and perform the following pre-assembly instructions:

- Tools Required for Assembly:**
 - protective work gloves
 - protective eyewear
 - Phillips head screwdriver
- You will need assistance from another person to handle the grill head and other large, heavy parts.
- Open Lid of shipping carton and remove top sheet of cardboard and packing materials. Lay cardboard sheet on floor and use as a work surface to protect floor and grill parts from scratches.
- You may slice the carton front corners with a utility knife to lay open the carton front panel. This allows you to raise the Lid and remove the components packed inside, making it easier to lift.
- Use the Hardware and Part Diagrams to ensure all items are included and free of damage.
- Do not assemble or operate the grill if it appears damaged. If there are damaged or missing parts when you unpack the shipping box or you have questions during the assembly process call 1-877-934-7455 M-F 8AM-4:30PM CST for assistance.

Grill Installation Codes

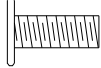
The installation must conform with local codes or, in the absence of local codes, with either the National Fuel Gas Code, ANSI Z223.1/NFPA 54, Natural Gas and Propane Installation Code, CSA B149.1, or Propane Storage and Handling Code, B149.2.

Hardware Parts List for Models BCR08ALP090 & BCR08ANG090

PART #	PART DESCRIPTION	QTY	PURPOSE OF PART
Already packed with the Trim Panel			
S182G03081	Pan Head Screw 3/16"x1/2"	8	Install the Trim Panel
S182G04081	Pan Head Screw 1/4"x1/2"	2	
Already Installed in the Bowl Rear Panel			
S182G03081	Pan Head Screw 3/16"x1/2"	2	Install the Rear Trim Panel
Already packed with the Transformer			
S112G03061	Phillips Head Screw 3/16"x3/8"	2	Install the Transformer to Left Body Bracket
Already Installed in the Transformer Brackets			
S112G03061	Phillips Head Screw 3/16"x3/8"	4	Install the Transformer to Transformer Bracket
S313G03051	Flange Nut 3/16"	4	
Already packed with the Regulator Assembly (For BCR08ALP Model)			
S112G0306A	Phillips Head Screw 3/16"x3/8"	2	Install the Regulator Bracket
Already packed with the Tank Tray Set (For BCR08ALP Model)			
S112G0306A	Phillips Head Screw 3/16"x3/8"	3	Install the Tank Tray Set


Hardware Diagram for Models BCR08ALP090 & BCR08ANG090

For Installing the Rear Trim Panel (Already Installed in the Bowl Rear Panel)




Pan Head Screw 3/16"x1/2"
Qty. 2 Part # S182G03081

For Installing the Trim Panel (Already packed with the Trim Panel)



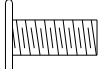
Pan Head Screw 3/16"x1/2"
Qty. 8
Part # S182G03081

For Installing the Transformer (Already packed with the Transformer)



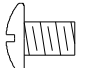
Phillips Head Screw 3/16"x3/8"
Qty. 2
Part # S112G03061

For Installing the Trim Panel (Already packed with the Trim Panel)



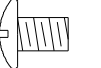
Pan Head Screw 1/4"x1/2"
Qty. 2 Part # S182G04081

For Installing the Regulator Bracket (Already packed with the Regulator Assembly) (For BCR08ALP Model)




Phillips Head Screw 3/16"x3/8"
Qty. 2
Part # S112G0306A

For Installing the Transformer (Already installed in the Transformer Bracket)

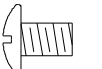


Phillips Head Screw 3/16"x3/8"
Qty. 4
Part # S112G03061



Flange Nut 3/16"
Qty. 4
Part # S313G03051

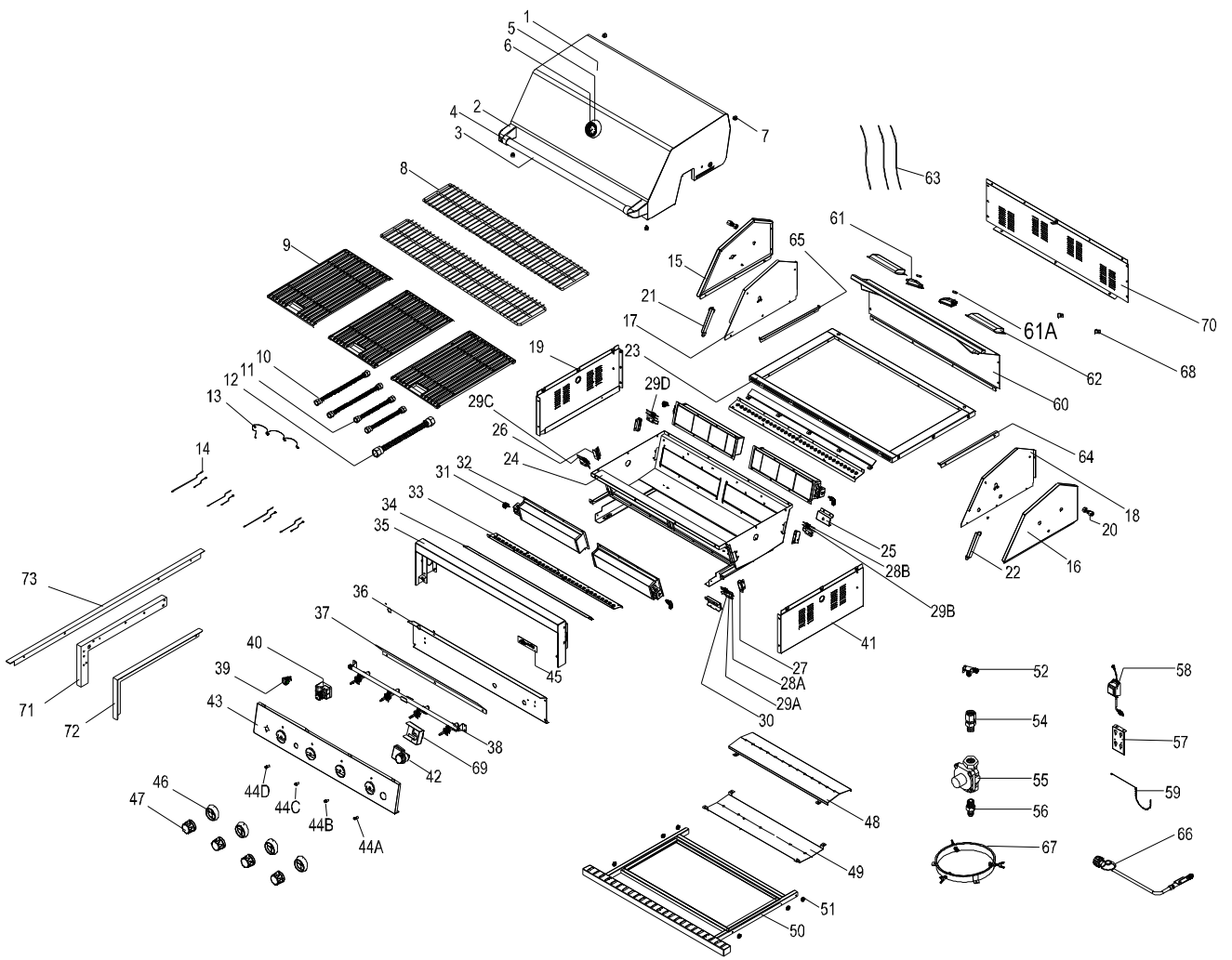
For Installing the Tank Tray Set (Already packed with the Tank Tray Set) (For BCR08ALP Model)



Phillips Head Screw 3/16"x3/8"
Qty. 3
Part # S112G0306A

*One Battery/AA and Four Batteries/AAA included in the Operator's Manual's package

Parts Diagram for Model BCR08ALP090 & BCR08ANG090



Parts List for Model BCR08ALP090 & BCR08ANG090

KEY	DESCRIPTION	Part #	QTY
1	Lid Assembly	Y0130016	1
2	Lid Handle Bracket	P00303016E	2
3	Lid Handle	P00205025B	1
4	Lid Handle Heat Insulating Spacer	P06801002A	2
5	Temperature Gauge Seat	P00614015A	1
6	Temperature Gauge	P00601251A	1
7	Protective Pad	P05518002I	4
8	Cooking Rack/Secondary	P01516026E	2
9	Cooking Grid	P01615036H	3
10	Connection Hose A	P03720001F	2
11	Connection Hose B	P03720002F	2
12	Extension Tube	P03718001A	1
13	Electric Wire Set, 4-Contact	P02615137A	1
14	Electrode Wire Set	P02615138A	1
15	Bowl Side Panel, Left/Upper	P07514054R	1
16	Bowl Side Panel, Right/Upper	P07514055R	1
17	Bowl Side Trim Plate, Left	P07514056G	1
18	Bowl Side Trim Plate, Right	P07514057G	1
19	Bowl Panel, Left	P0072089BB	1
20	Lid Hinge with Nut	P05511006A	2
21	Lid Spring, Left	P05551001M	1
22	Lid Spring, Right	P05551002M	1
23	Bowl Frame	P0073948EC	1
24	Grill Bowl	P0071360JA	1
25	Cross Lighting Channel	P02212377A	2
26	Thermocouple Bracket, Left	P03327058C	2
27	Thermocouple Bracket, Right	P03327059C	2
28A	Thermocouple for Gas Valve A	P05305040D	2
28B	Thermocouple for Gas Valve B	P05305041D	2
29A	Thermocouple for LED Light A	P05305042D	1
29B	Thermocouple for LED Light B	P05305043D	1
29C	Thermocouple for LED Light C	P05305044D	1
29D	Thermocouple for LED Light D	P05305045D	1
30	Electrode	P02625008C	4
31	Infrared Burner Orifice (LPG)	P06536013A	4
	Infrared Burner Orifice (NG)	P06536014A	4
32	Infrared Burner Assembly	P02005023A	4
33	Grease Shield, Lower	P06902122C	2
34	Grease Shield, Upper	P06902123C	2
35	Control Panel Bracket	P03306035C	1
36	Control Panel Heat Shield	P06918001C	1
37	Control Panel Heat Shield, Upper	P06918002M	1
38	Gas Valve/Manifold Assembly (LPG)	Y0060628	1
	Gas Valve/Manifold Assembly (NG)	Y0060634	1
39	Switch for Light	P05360001B	1
40	Electric Ignitor, 4-Port	P02502184C	1
41	Bowl Panel, Right	P0072190BB	1
42	LED Light Controller	P05357017B	1
43	Control Panel	P02914113X	1
44B	LED Light with Wire B	P05373006D	1
44C	LED Light with Wire C	P05373007D	1
44D	LED Light with Wire D	P05373008D	1
45	Name Plate	P00407014C	1
46	Control Knob Seat	P03426381R	4
47	Control Knob	P03436035R	4

Parts List for Model BCR08ALP090 & BCR08ANG090

48	Grease Tray Heat Shield, Upper	P06903065A	1
49	Grease Tray Heat Shield, Lower	P06903066A	1
50	Grease Tray Set	Y0270019	1
51	Wheel for Grease Tray	P05516137M	6
52	Manifold, Rear	P05005301J	1
54	Extension Fitting/Outlet (NG)	P03901013A	1
55	Regulator (NG)	P03628001B	1
56	Extension Fitting/Inlet (NG)	P03901017A	1
57	Transformer Bracket	P03328057A	1
58	Transformer	P05374001B	1
59	Lighting Stick Assembly	P05313009B	1
60	Bowl Side Panel, Rear/Upper	P06905066A	1
61	Light Cover	P05352003K	2
61A	Light	P05383004B	2
62	Light Cover Protector	P05352004A	2
63	Light Wire Set	P02615140A	1
64	Cooking Rack/Secondary Bracket, Left	P03346001H	1
65	Cooking Rack/Secondary Bracket, Right	P03346002H	1
66	Regulator With Hose Assembly (LPG)	P03631009A	1
67	Tank Tray Set	Y0340050	1
68	Wire Protective Tube Bracket	P05377001E	2
69	LED Light Controller Protector	P03328062C	1
70	Bowl Panel, Rear	P0072597BB	1
71	Trim Panel, Left	P07901030D	1
72	Trim Panel, Right	P07901031D	1
73	Trim Panel, Rear	P07901032D	1
	Rotisserie Assembly	Y0250144	1
	Operator's Manual	P80151089D	1

For the repair or replacement parts you need:

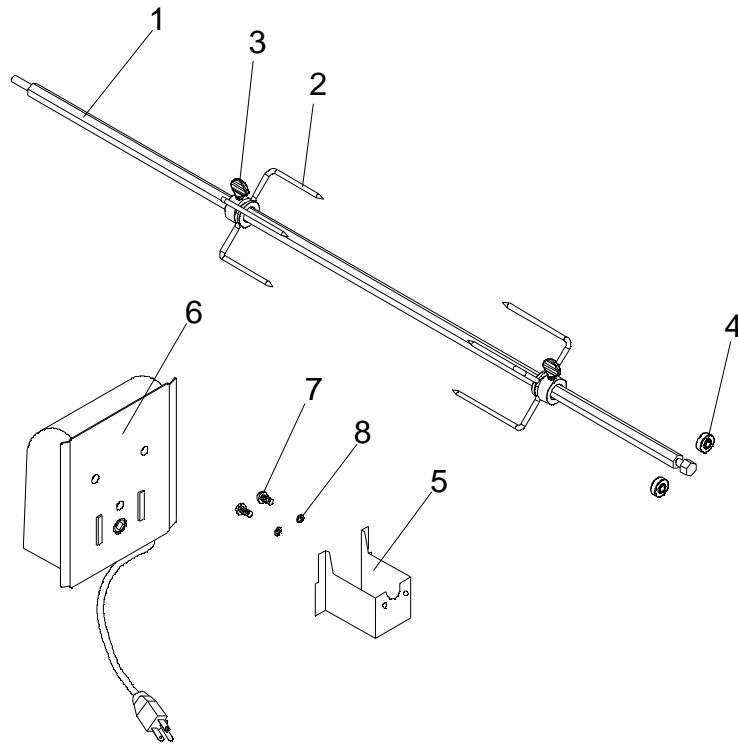
Call 1-877-934-7455 M-F 8AM-4:30PM CST for assistance

To obtain the correct replacement parts for your gas grill, please refer to the part numbers in this parts list. The following information is required to ensure you receive the correct parts:

1. Model and Serial Number (see CSA label on grill)
2. Part Number
3. Part Description
4. Quantity of parts needed

Important: Use only Grand Hall replacement parts. The use of any part that is not a Grand Hall replacement part can be dangerous and will also void your product warranty. Keep this Operator's Manual for convenient referral and for part replacement.

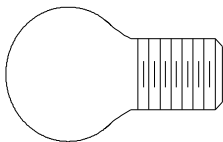
Y0250144 Rotisserie Assembly Parts Diagram



Y0250144 Rotisserie Assembly Parts List

KEY	DESCRIPTION	PART#	QTY
1.	Rot. Spit	P05508182A	1
2.	Rot. Holding Fork	P05508077A	2
3.	Rot. Thumbscrew 1/4"x1/2"	S196G04081	2
4.	Roller	P05508181A	2
5.	Rot. Motor Bracket	P03308002A	1
6.	Rot. Motor/AC	P07101031B	1
7.	Rot. Screw 3/16"x1/2"UNC	S112G03084	2
8.	Rot. Plain Washer 3/16"	S411G03064	2

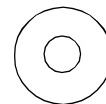
Hardware for Rotisserie



Rot. Thumbscrew
1/4"x1/2"
Qty. 2
Part# S196G04081



Rot. Screw 3/16"x1/2"
UNC
Qty. 2
Part# S112G03084



Rot. Washer 3/16"
Qty. 2
Part# S411G03064

Grill Information Center: If you have questions about assembly or grill operation, or if there are damaged or missing parts when you unpack this unit from the shipping box, call us Monday through Friday

Assembly Instructions

CAUTION : While it is possible for one person to assemble this grill, obtain assistance from another person when handling some of the larger, heavier pieces.

1 Install Trim Panels

- Install Left Trim Panel onto the Left Bowl Panel using 3 Pan Head Screws 3/16"x1/2" and 1 Pan Head Screw 1/4"x1/2" and tighten securely. Repeat steps for installing the Right Trim Panel.
- Remove 2 Pan Head Screws 3/16"x1/2" from the Bowl Panel Rear. (Reserve these screws).
- Install the Rear Trim Panel onto the Bowl Rear Panel using 4 Pan Head Screws 3/16"x1/2" (2 of these screws were reserved from previous step).

(Already Installed in the Bowl Rear Panel)

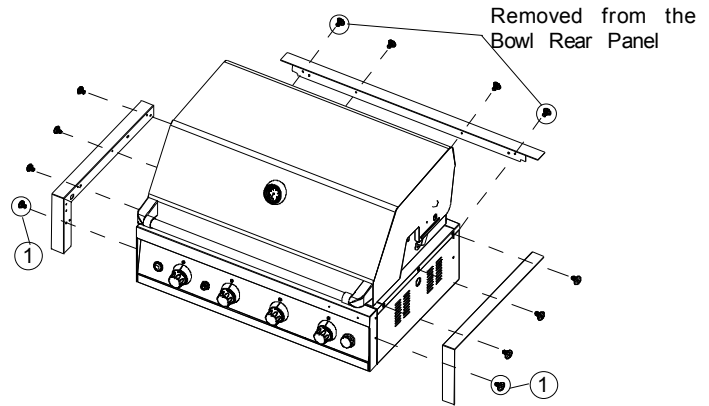
Pan Head Screw 3/16"x1/2"
Qty. 2
Part # S182G03081

(Already packed with the Trim Panel)

Pan Head Screw 1/4"x1/2"
Qty. 2
Part # S182G04081

(Already packed with the Trim Panel)

Pan Head Screw 3/16"x1/2"
Qty. 8
Part # S182G03081



2 Install Transformer

- Install Transformer-Plug into Transformer-Socket and tighten securely. (See Fig. 1)
- Install Transformer Bracket to the Left Body Panel by using 2 Phillips Head Screws 3/16"x3/8". (See Fig. 2)
- Install Transformer to Transformer Bracket. (See Fig. 2)
(Put 4 pre-assembly Phillips Head Screws 3/16"x3/8" and 4 Flange Nuts 3/16" on Transformer into four holes on Transformer Bracket.)

(Already packed with the Transformer)

Phillips Head Screw 3/16"x3/8"
Qty. 2
Part # S112G03061

(Already installed in the Transformer Bracket)

Phillips Head Screw 3/16"x3/8"
Qty. 4
Part # S112G03061

Flange Nut 3/16"
Qty. 4
Part # S313G03051

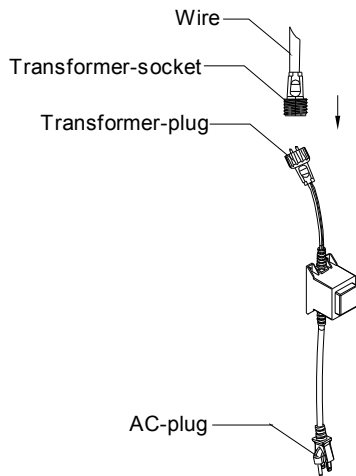


Fig. 1

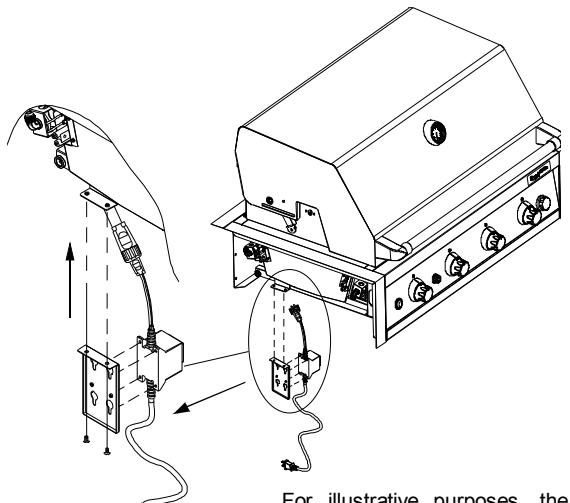
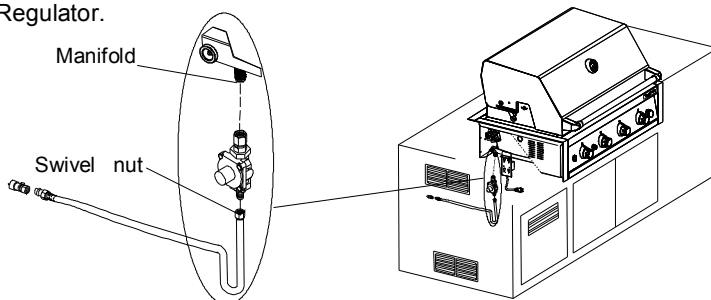


Fig. 2

For illustrative purposes, the Left Bowl Panel is not shown.

3 Install NG Regulator Assembly (for NG Model)

- Set Bowl Assembly into island (not included in this unit) as shown.
- Install NG Regulator Assembly to Manifold.
- Connect the Swivel nut of the 12' Natural Gas Hose (not included in this unit) to the vertical fitting of NG Regulator.



CAUTION: Build your grill island before installing the LP Gas Tank and Partition Panel (Not included in this unit). Refer to the heights listed in Fig. 4 for constructing your grill island. An island unit is not included with the purchase of your Grill Head.

3 Install the LP Gas Tank (For BCR08ALP090 Model)

- Set the Grill Head into the Island (not included in this unit) as shown.
- Install the Bracket with Regulator to the Island Side Panel using 2 Phillips Head Screws 3/16"x3/8".
- Install the Stainless Steel Tube (not included in this unit) onto the manifold. Next, insert the other end of the tube through the hole on the Island Side Panel. Install the Stainless Steel Tube to the male fitting on the Bracket.
- Install the Tank Tray Set onto the Island Bottom Panel. Install 3 Phillips Head Screws 3/16"x3/8" as shown in Fig. 3. Place the LP Gas Tank into the Tank Tray. Make sure the tank valve faces the right corner of the cabinet. Tighten the wing bolt to secure the LP Gas Tank.
- Install the LP Regulator onto the LP Gas Tank.

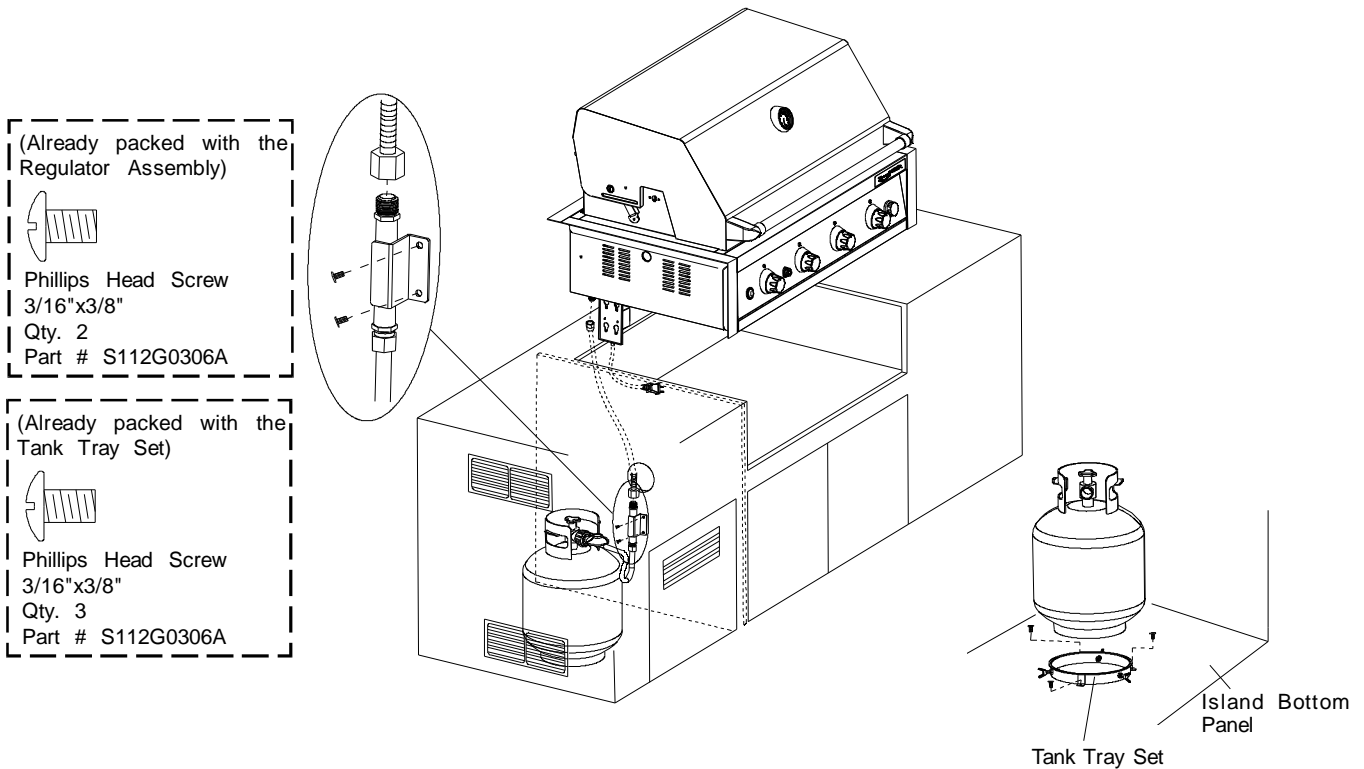


Fig. 3

4 Install Partition Panel (for BCR08ALP090 Model)

- Install the Partition Panel (not included in this unit) onto the left island. Make sure there is at least 24" of clearance between the partition panel and the Tank Tray Set.

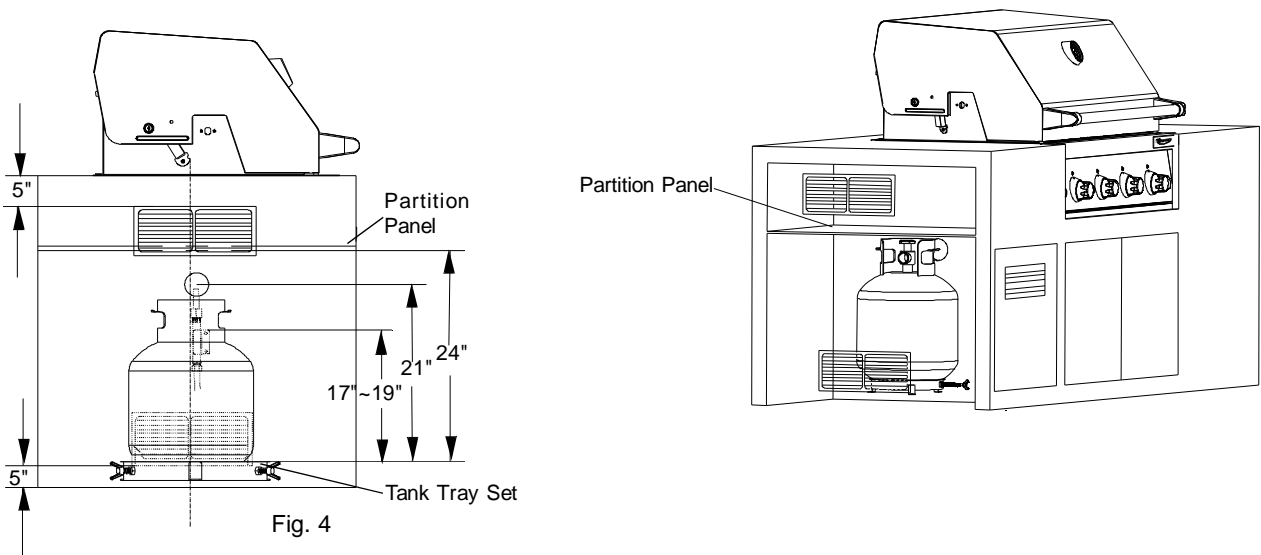
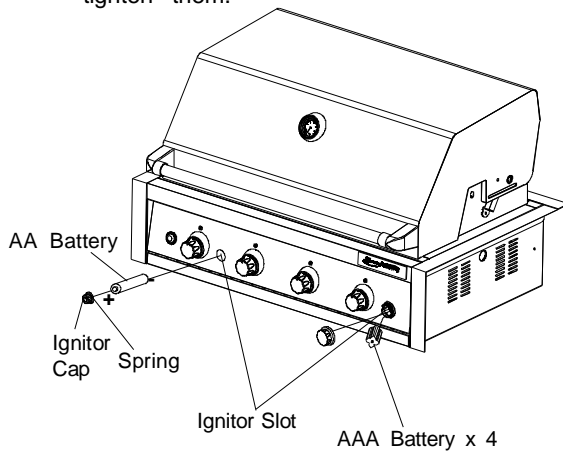


Fig. 4

5 Install Ignitor Batteries

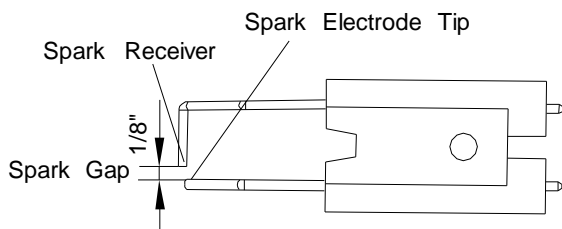
- Remove the Ignitor Caps from the Control Panel.
- Place the batteries into the Ignitor slots with the positive poles facing the Caps.
- Position the Caps onto the Ignitor slots and tighten them.



6 Main Burners Electrode Check Perform this Electrode Check with the assistance of another person

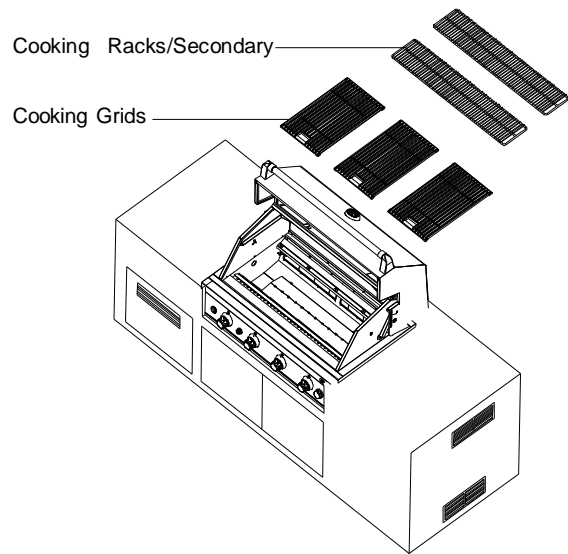
This test will ensure that the Spark Electrode Tips are properly positioned so your grill lights easily and properly.

- Be sure all Control Knobs are set to "OFF" and open the Grill Lid.
- Have your assistant stand behind you to the right of the grill and look at both the front and rear burner locations of the grill bowl. **Never** put your face inside the Grill Bowl.
- Turn any Control Knob of Main Burners to ⚡ and push in and have assistant watch for a blue spark within each Ignition Electrode.
- If no spark is seen, the Spark Gap needs to be adjusted as follows:
 - If the gap between the Spark Electrode Tip and Receiver is more than 1/8" use needle nose pliers to gently squeeze the Electrode to narrow gap.
 - If no "clicking" sound is heard:
 - AA Battery may be installed backwards.
 - Electric wires may be loose. Remove the AA Battery and inspect the Ignitor Junction Box found behind the Control Panel and reconnect any loose wires.



7 Install Cooking Components

- Place Cooking Grids on bowl ledge.
- Place the Secondary Cooking Racks into the slots on Grill Bowl Side Panels.



Final Grill Assembly Step

When you have finished assembling your grill be sure that all screws are tightened for safe operation of your grill.

Before each use of the grill, the Grease/Water Tray should be filled approximately 1/2 full with water and carefully fully seated under the grill bowl.

CAUTION: The Grease/Water Tray should be inspected before each grill use to be sure there is no excessive grease buildup. Clean the Grease Tray frequently to eliminate grease build-up and to prevent grease fires.

LP Gas Tank Installation

CORRECT LP GAS TANK USE

- LP Gas grill models are designed for use with a standard 20 lb. Liquid Propane Gas (LP Gas) tank, not included with grill. **Never** connect your gas grill to an LP Gas tank that exceeds this capacity. A tank of approximately 12 inches in diameter by 18-1/2 inches high is the maximum size LP Gas tank to use. **You must use an "OPD" gas tank which offers a listed Overfill Prevention Device.** This safety feature prevents the tank from being overfilled which can cause a malfunction of the LP Gas Tank, regulator, and/or grill.
- The LP Gas tank must be constructed and marked in accordance with the Specifications for LP-Gas Cylinders of the U.S. Department of Transportation (D.O.T.) or the National Standard of Canada, CAN/CSA-B339, Cylinders, Spheres and Tubes for Transportation of Dangerous Goods; and Commission, as applicable.
- The LP Gas tank must have a shutoff valve, terminating in an LP Gas supply tank valve outlet, that is compatible with a Type 1 tank connection device. The LP Gas tank must also have a safety relief device that has a direct connection with the vapor space of the tank.
- The tank supply system must be arranged for vapor withdrawal.
- The LP Gas tank must have a collar to protect the tank valve.
- Never** connect an unregulated LP gas tank to your gas grill. The gas regulator assembly supplied with your gas grill is adjusted to have an outlet pressure of 11" water column (W.C.) for connection to an LP gas tank. Only use the regulator and hose assembly supplied with your gas grill. **Replacement regulators and hose assemblies must be those specified by Grand Hall.**
- Have your LP Gas dealer check the release valve after every filling to ensure it remains free of defects.
- Always keep the LP Gas tank in an upright position.
- Do not subject the LP Gas tank to excessive heat.
- Never store an LP Gas tank indoors. If you store your gas grill in the garage **always** disconnect the LP Gas tank first and store it safely outside.
- LP Gas tanks must be stored outdoors in a well-ventilated area and out of the reach of children.
- Disconnected LP Gas tanks must not be stored in a building, garage or any other enclosed area.
- The regulator and hose assembly can be seen after opening the doors and must be inspected before each use of the grill. If there is excessive abrasion or wear or if the hose is cut, it must be replaced prior to using the grill again.
- Never** light your gas grill with the lid closed or before checking to ensure the burners are fully seated over the gas valve orifices.

- Never** allow children to operate your grill. Do not allow children or pets to play near your grill. Always supervise children and pets if they are in the vicinity of the unit.
- Use of alcohol, prescription or non-prescription drugs can impair your ability to properly assemble and safely operate your grill.
- Keep fire extinguisher readily accessible. In the event of a oil/grease fire, do not attempt to extinguish with water. Use type B extinguisher or smother with dirt, sand or baking soda.
- In the event of rain, turn off the burners and gas supply. Wait for the grill to cool, and then place a cover on it.
- Use your grill on a level, stable surface in an area clear of combustible materials.
- Do not leave grill unattended when in use.
- Do not move the appliance when in use.
- Allow the grill to cool before moving or storing.
- Do not use your grill as a heater.
- This grill is not intended to be installed in or on recreational vehicles and/or boats.
- The grill is not intended for commercial use.
- Never** use charcoal or lighter fluid in this gas grill.

WARNING

A. Do not store a spare LP-Gas tank under or near this appliance.

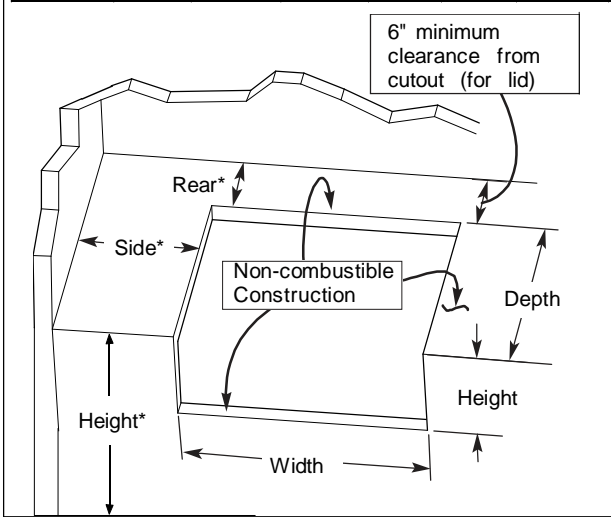
B. Never fill the tank beyond 80 percent full; and

C. If the information in "(a)" and "(b)" is not followed exactly, a fire causing death or serious injury may occur.

WARNING

Refer to this table when designing the island unit for the BCR08ALP090/BCR08ANG090. Side* and Rear* show the minimum amount of distance the unit must be from combustibles (ex. Vinyl or wood siding, fences and overhangs) or sources of ignition (ex. Pilot lights on water heaters and live electrical appliances). Height* shows the minimum height the island unit must be starting from the ground up.

Model	Height	Width	Depth	Side*	Rear*	Height*
BCR08A LP/NG	10"	38-3/4"	24-1/2"	14"	24"	29"



USE AND CARE INSTRUCTIONS

NOTE about LP Gas Tank Exchange Programs

- Many retailers that sell grills offer you the option of replacing your empty LP Gas tank through an exchange service. Use only those reputable exchange companies that inspect, precision fill, test, and certify their tanks. Exchange your tank only for an OPD safety feature-equipped tank as described in the LP Gas tank section of this Guide.
- Always keep new and exchanged LP Gas tanks in an upright position during use, transit or storage.
- Leak test new and exchanged LP Gas tanks BEFORE connecting one to your grill.

How to Leak Test your LP Gas Tank

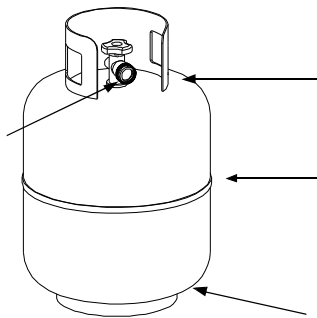
For your safety:

- All leak tests must be repeated each time your LP Gas tank is exchanged or refilled.
- When checking for gas leaks do not smoke.

Do not use an open flame to check for gas leaks.

- Your grill must be leak tested outdoors in a well-ventilated area, away from ignition sources such as gas fired or electrical appliances. During the leak test, keep your grill away from open flames or sparks.
- Do not use household cleaning agents. Damage to gas assembly components can result.

- ☞ Use a clean paintbrush and a 50/50 mild soap and water solution.
- ☞ Brush soapy solution onto LP Gas tank in the areas indicated by the arrows. See diagram.
- ☞ If growing bubbles appear do not use or move the LP Gas tank. Call an LP Gas Supplier or your Fire Department.



WARNING

If growing bubbles appear do not use or move the LP Gas tank. Contact an LP Gas Supplier or your fire department!

Note: The built-in appliance for use with a remote self-contained LP Gas supply system must use rigid pipe, semi-rigid tubing, or a connector complying with the Standard for Connections for Gas Appliance, ZNSI Z21.24/CSA 6.10

Secure a 20lb LP Gas Tank to Gas Grill

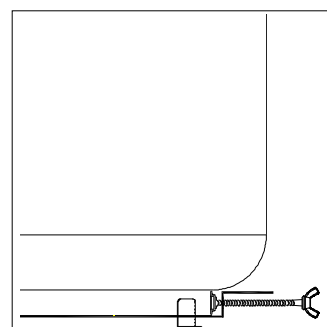
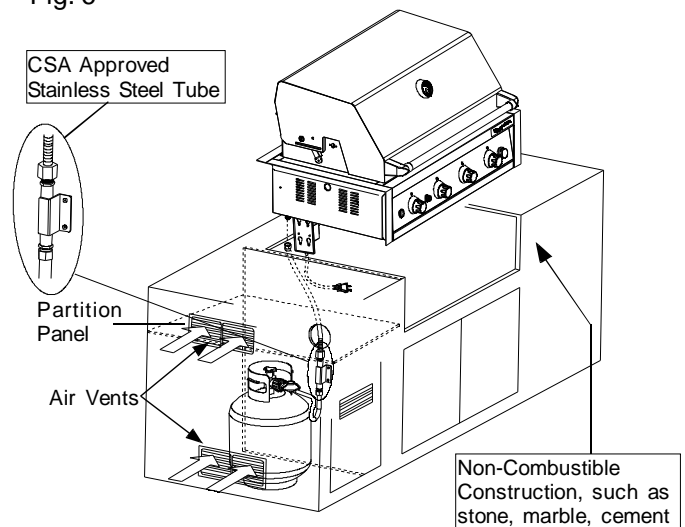
Note: You can only use 20lb LP Gas Tank in this Gas Grill.

NOTE: When using Propane, EXTREME CAUTION should be used to provide ample ventilation of vapor from the enclosure. LP Gas vapor is heavier than air and SERIOUS INJURY from a DANGEROUS EXPLOSION could occur if LP Gas is allowed to accumulate in an enclosure and then ignited. Both the Barbecue enclosure and LP cylinder enclosure require venting that must be provided at the floor level of the enclosure to allow any leaking LP Gas vapor to escape (see Fig. 6).

NOTE: When installing a barbecue equipped for liquid propane in an island, the propane tank must be in a separate enclosure that is completely isolated from the barbecue. It must be cross-ventilated in accordance with the current standard. The propane tank MUST NEVER be installed directly under the barbecue.

NOTE: Upper & lower ground-level vents (20 sq. in. minimum each) MUST BE PROVIDED on both sides of built-in construction. The height from upper ground-level vent to top surface of island is 5", and the height from lower ground-level vent to bottom island is 5" (see Fig. 4 on page 10). Please ask a Barbeques Galore associate for full details.

Fig. 6



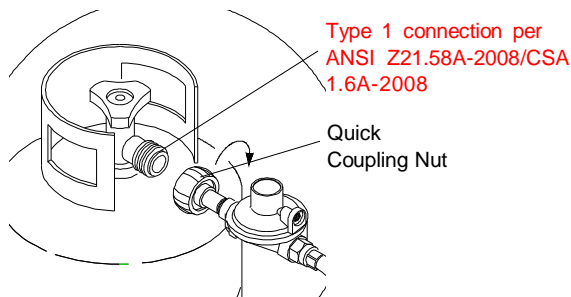
The Wing Bolt holds the tank foot in place

USE AND CARE INSTRUCTIONS

LP Gas Model only:

Connect Regulator with Hose to your LP Gas Tank

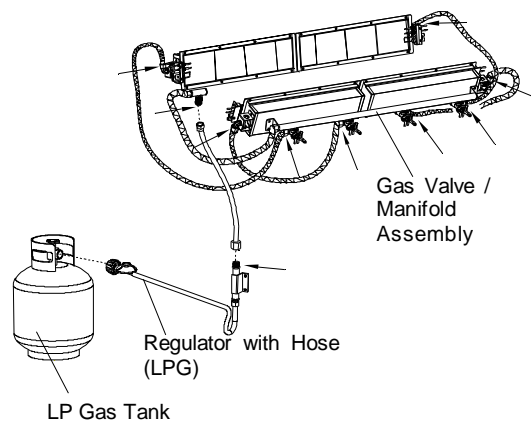
- Turn all Burner Valves to the OFF position.
- Inspect the valve connection port and regulator assembly for damage or debris. Remove any debris. Never use damaged or plugged equipment.
- Connect the regulator assembly to the tank valve and HAND TIGHTEN nut clockwise to a full stop. DO NOT use a wrench to tighten because it could damage the Quick Coupling Nut and result in a gas leak/fire hazard.
- Open the tank valve 1/4 to 1/2 (counterclockwise) and use a soapy water solution to check all connections for leaks before attempting to light your grill. See "**Check all connections for LP Gas Leaks**". If a leak is found, turn the tank valve off and do not use your grill until the leak is repaired.



Check all connections for LP Gas Leaks

Never test for leaks with an open flame. Prior to first use, at the beginning of each season, or every time your LP Gas tank is changed, you must check for gas leaks. Follow these three steps:

- Make a soap solution by mixing one part liquid detergent and one part water.
- Turn the grill Control Knobs to the full OFF position, then turn the gas ON at source.
- Apply the soap solution to all gas connections indicated by the arrows. See diagram. If bubbles appear in the soap solution the connections are not properly sealed. Check each fitting and tighten or repair as necessary.



CAUTION: When the appliance is not in use the gas must be turned off at the tank. Place dust cap on cylinder valve outlet whenever the cylinder is not in use. Only install the type of dust cap on the cylinder valve outlet that is provided with the cylinder valve. Other types of caps or plugs may result in leakage of propane.

Disconnecting A Liquid Propane Gas (LPG) Tank From Your Grill

- Make sure the Burner Valves and LP Gas tank valve are off. (Turn clockwise to close.)
- Detach the hose and regulator assembly from the LP Gas tank valve by turning the Quick Coupling Nut counterclockwise. Do not use a wrench or any tools when turning the Quick Coupling Nut.



If you have a gas leak that cannot be repaired by tightening, turn off the gas at the source, disconnect fuel line from your grill and call 1-877-934-7455 or your gas supplier for repair assistance.



Failure to read and follow the Use and Care Instructions could result in a fire or explosion that could cause serious bodily injury, death or property damage.



1. Do not store spare LP cylinder within 10 feet (3m) of this appliance.
2. Do not store or use gasoline or other flammable liquids and vapors within 25 feet (8m) of this appliance.
3. When cooking with oil/grease, do not allow the oil/grease to get hotter 350°F (177°C)
4. Do not leave oil/grease unattended.

Natural Gas Connection

Natural Gas Model only: Connecting Natural Gas To Your Grill

- Connect the Swivel nut of the 12' Natural Gas Hose to the vertical fitting of NG Regulator as shown in **Fig. 1**. Connect the other hose end (male plug) to the gas supply line from house. Also, read and follow all natural gas safety instructions below.

Natural Gas Safety Instructions

- Your natural gas grill is designed for use with natural gas (NG) only. The gas pressure Regulator supplied with this appliance must be installed and used on your grill. The unit and Regulator are set to operate with an outlet pressure of 4" W.C.
- Install a Shutoff Valve at the gas supply source outdoors at a point after the gas pipe exits the outside wall and before the quick-disconnect hose. Or install it at the point before the gas line piping enters the ground. See **Fig. 2**.
- Pipe sealing compound or pipe thread tape resistant to the action of natural gas must be used on all male pipe thread connections.
- Disconnect your gas grill from fuel source when the gas supply is being tested at high pressures. This gas grill and its individual shutoff valve must be disconnected from the gas supply pipe system during any pressure testing of that system at pressure in excess of 1/2 psi (3.5kpa).
- Turn off your gas grill when the gas supply is being tested at low pressures. The grill must be isolated from the gas supply pipe system by closing its individual manual shutoff valve during any pressure testing of the gas supply pipe system at pressures equal to or less than 1/2 psi (3.5kpa).

Fig. 2

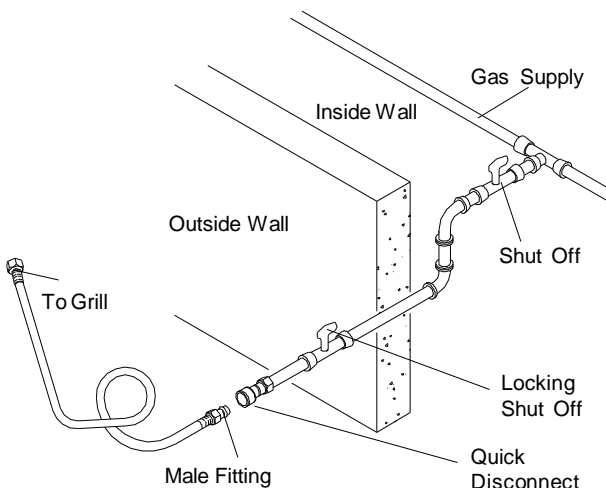
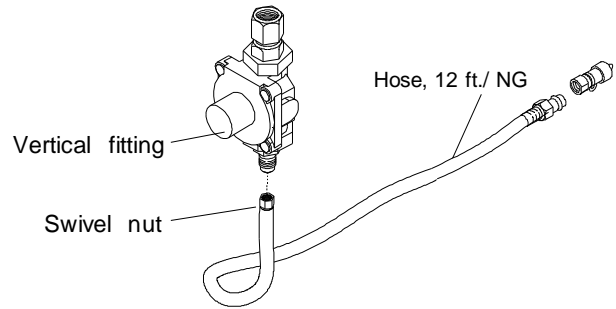


Fig. 1

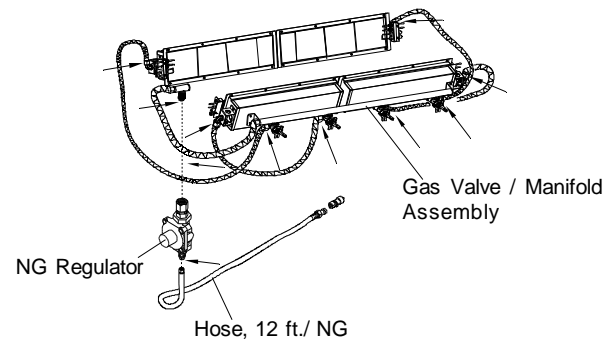


Check all connections for NG Leaks

Never test for leaks with an open flame. Prior to first use, at the beginning of each season, you must check for gas leaks. Follow these three steps:

- Make a soap solution by mixing one part liquid detergent and one part water.
- Turn the grill Control Knobs to the full OFF position, then turn the gas ON at source.
- Apply the soap solution to all gas connections indicated by the arrows. See **Fig. 3**. If bubbles appear in the soap solution the connections are not properly sealed. Check each fitting and tighten or repair as necessary.


Fig. 3




USE AND CARE INSTRUCTIONS

Grill Lighting Instructions

1. Before each use, check all hoses for cracks, nicks, cuts, burns or abrasions. If a hose is damaged in any way, do not use your grill before replacing the hose with an authorized part from the Parts List. Also make sure all gas supply connections are securely tightened.
2. Familiarize yourself with the Safety and Use and Care instructions in this Guide. Do not smoke while lighting grill or checking gas supply connections.
3. Be sure the LP Gas tank is filled and lock Casters to prevent movement during grill operation.
4. Open the Grill Lid.

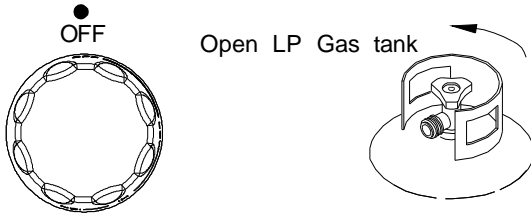




WARNING

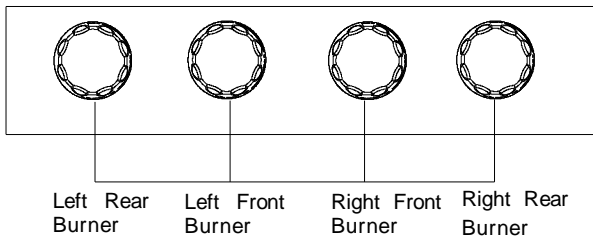
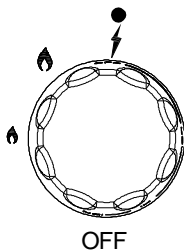


Failure to replace a faulty hose, secure gas supply connections or to open the Lid before proceeding to the Lighting Procedures could result in a fire or explosion that could cause serious bodily injury, death, or property damage.



5. Set Control Knobs to OFF and open the LP Gas tank valve **SLOWLY 1/4 of a turn**. For Natural Gas open the Shut Off Valve at source.




6. Push and turn the control knob to  and hold it in 3-5 seconds to ignite the Burner. Once the burner is ignited continue to depress the knob and rotate to . Hold the knob until burner indicator light turns on then release it.

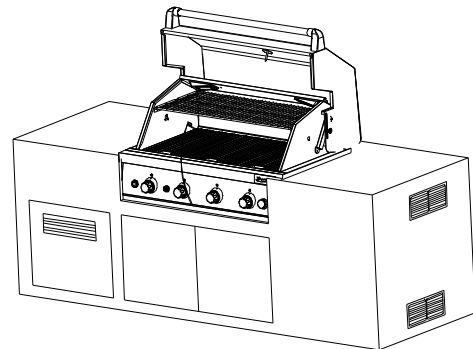


Infrared Burners

7. If ignition does not occur in 5 seconds, turn gas off at source and turn Control Knobs OFF. Wait at least 5 minutes for gas to clear, then retry. If your grill still fails to light turn the burner Control Knob(s) and gas source OFF and conduct a leak test of ALL gas connections and gas sources as explained in the Use and Care section of this guide. If no leaks are detected, wait 5 minutes for any gas to clear and repeat the lighting procedure.
8. If the burner indicator light does not work, check the battery.
9. After one Burner is lit, turn the tank valve SLOWLY one more 1/4 of a turn.
10. To light more burners, turn each burner knob to  then back to .

Manually Lighting Your Grill By Paper Match

To light your gas grill by match, insert a match into the Lighting Stick and follow steps 1 through 5 of the Grill Lighting Instructions. Then, light the match and place Lighting Stick through the Cooking Grid on the grill as shown below. Turn the nearest Control Knob to the  setting to release gas. The Burner should light immediately.



Note: Island is shown for illustrative purposes only. Island is not included with the grill unit.

USE AND CARE INSTRUCTIONS

Troubleshooting

If the grill fails to light :

1. Turn gas off at source and turn Control Knobs to OFF. Wait at least 5 minutes for gas to clear, then retry.
 2. If your grill still fails to light, check gas supply and connections.
 3. Repeat lighting procedure. If your grill still fails to operate, turn the gas off at source, turn the Control Knobs to OFF, then check for the following issues:
- Obstruction in gas line
Correction: Remove regulator hose from grill. Do not smoke! Open gas supply for one second to clear any obstruction from fuel line. Close off gas supply at source and reconnect fuel line to grill.
 - Disconnected Electric Wires
Correction: Inspect the Electric Ignitor (see Parts List) found behind the Control Panel. Connect loose Electric wires to Junction Box and try to light the grill.
 - Weak AA battery or AAA battery
Correction: Unscrew the Ignitor Cap and replace the battery.
 - If the grill still does not light you may need to purge air from the gas line or reset the regulator excess gas flow device. **Note:** This procedure should be done every time a new LP Gas tank is connected to your grill.



WARNING



Never lean over the grill cooking area while lighting your gas grill. Keep your face and body a safe distance (at least 18 inches) from the front of the grill when lighting your grill by match.

To purge air from your gas line and/or reset the regulator excess gas flow device:

- Turn Control Knobs to the OFF position.
- Turn off the gas at the tank valve.
- Disconnect regulator from LP Gas tank. For Natural Gas disconnect regulator from 12 ft. Natural Gas Hose.
- Let unit stand 5 minutes to allow air to purge from gas line.
- Reconnect regulator to the LP Gas tank. For Natural Gas reconnect regulator to 12 ft. Natural Gas Hose.
- Turn tank valve on SLOWLY 1/4 of a turn. For Natural Gas open Shut Off valve.
- Open the Grill Lid.
- Push and turn the Control Knob to ⚡ and hold it in 3-5 seconds to ignite the burner.



WARNING



Should a FLASHBACK fire occur in or around the Burners, follow the instructions below. Failure to comply with these instructions could result in a fire or explosion that could cause serious bodily injury, death, or property damage.

- Y Shut off gas supply to the gas grill.
- Y Turn the Control Knobs to OFF position.
- Y Open the Grill Lid.
- Y Put out any flame with a Class B fire extinguisher.

GRILL INFORMATION CENTER

Call 8am to 4:30pm CST **1-877-934-7455** Monday through Friday

USE AND CARE INSTRUCTIONS

CORRECT ROTISSERIE USE

1. Read all instructions before initial use.

IMPORTANT: When using electrical appliances, basic safety precautions should always be used.

The Rotisserie Motor is set for 120V, 60Hz AC.

The Rotisserie is for outdoor use only.

Do not equip your rotisserie with meat in excess of 10-12 pounds.

Do not let children operate or play nearby your grill or Rotisserie.

2. **Connecting Rotisserie**

Always attach the assembled Rotisserie to your grill first and then plug the Cord into an outlet.

3. **Operating Rotisserie**

Do not operate the Rotisserie if the cord or plug has been damaged in any manner. Do not use the Rotisserie if it cannot be operated safely.

The use of accessory attachments is not recommended by the manufacturer and may cause injuries. Do not use this Rotisserie other than for its intended use.

Do not immerse Electrical Cord, Plug or Motor in water or expose to rain, as this may result in an electrical shock.

4. **Disconnect Rotisserie**

Be careful as all surfaces will be hot, both grill and Rotisserie parts. Use protective mitts to handle the Rotisserie.

Unplug the Rotisserie from electrical outlet when not in use and before cleaning. Allow to cool before adding or removing parts.

Should a grease fire occur, turn the burners and gas off and leave the grill lid closed until the fire is out.



5. **Store the Rotisserie indoors**

When Rotisserie is not in use, store it indoors in a dry place.

	WARNING	
FIRE HAZARD		
<ul style="list-style-type: none">• DO NOT use a cooking pan beneath food while rotisserie cooking.		

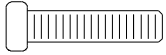
ELECTRICAL EQUIPMENT USE

1. To protect against electric shock, do not immerse cord or plugs in water or other liquid.
2. Unplug from the outlet when not in use and before cleaning. Allow to cool before putting on or taking off parts.
3. Do not operate any cooking gas appliance with a damaged cord, plug, or if the appliance has been damaged in any manner or cannot be safely operated. Contact Grand Hall for replacement parts.
4. Do not let the cord hang over the edge of a table or touch hot surfaces.
5. Do not use an outdoor cooking gas appliance for any purposes other than its intended use.
6. When connecting, first connect plug to the outdoor cooking gas appliance then plug appliance into the outlet.
7. Use only a Ground Fault Interrupter (GFI) protected circuit with this outdoor cooking gas appliance.
8. Never remove the grounding plug or use with an adapter of 2 prongs.
9. Use only extension cords with a 3 prong grounding plug, rated for the power of the equipment, and approved for outdoor use with a W-A marking.

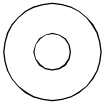
	WARNING	
<p>⚠ This appliance, when installed, must be electrically grounded in accordance with local codes or, in the absence of local codes, with the <i>National Electrical Code, ANSI/NFPA 70</i>, or the <i>Canadian Electrical Code, CSA C22.1</i>.</p> <p>⚠ Keep any electrical supply cord and the fuel supply hose away from any heated surface.</p>		

Rotisserie Instructions

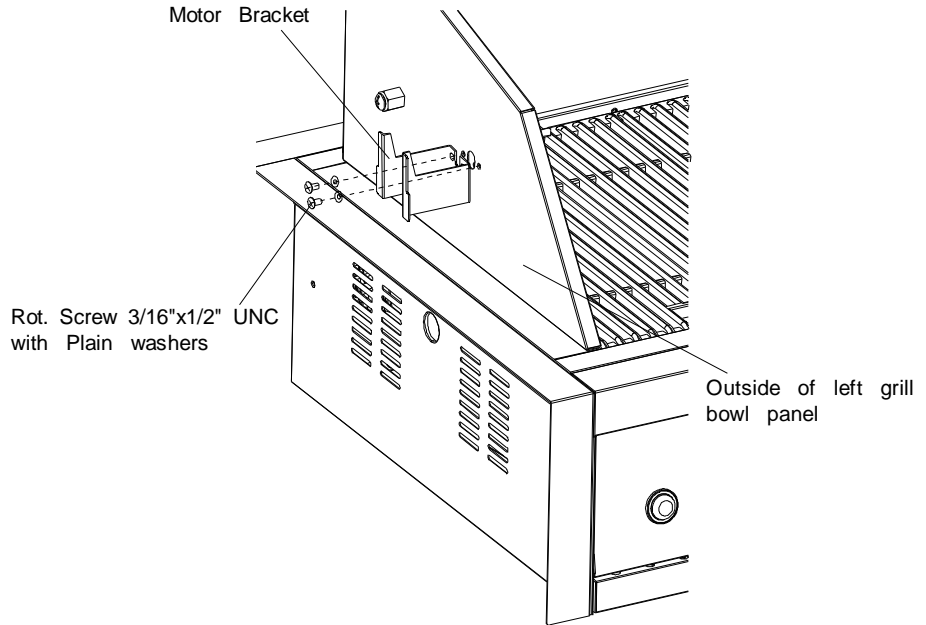
1. Remove all components from the carton.
2. Attach the Motor Bracket on the outside of the left grill bowl panel. Align the two holes of the Bracket with the threaded holes on the grill bowl. Tighten securely using two 3/16"x1/2" UNC Phillips Head Screws and Rot. washers provided.



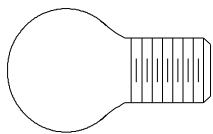
Rot. Screw 3/16"x1/2" UNC
Qty. 2
Ref. # S112G03084



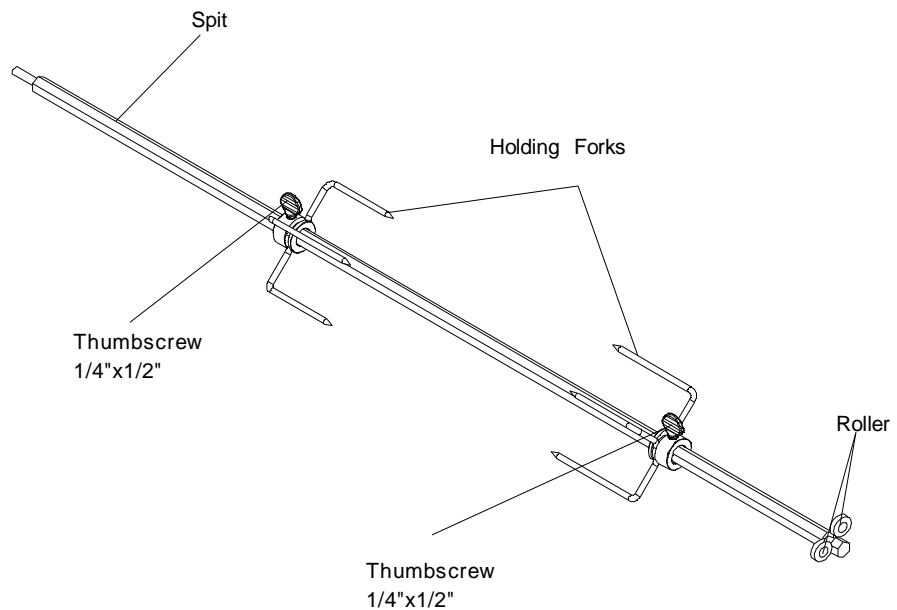
Rot. Washer
Qty. 2
Ref. # S411G03064



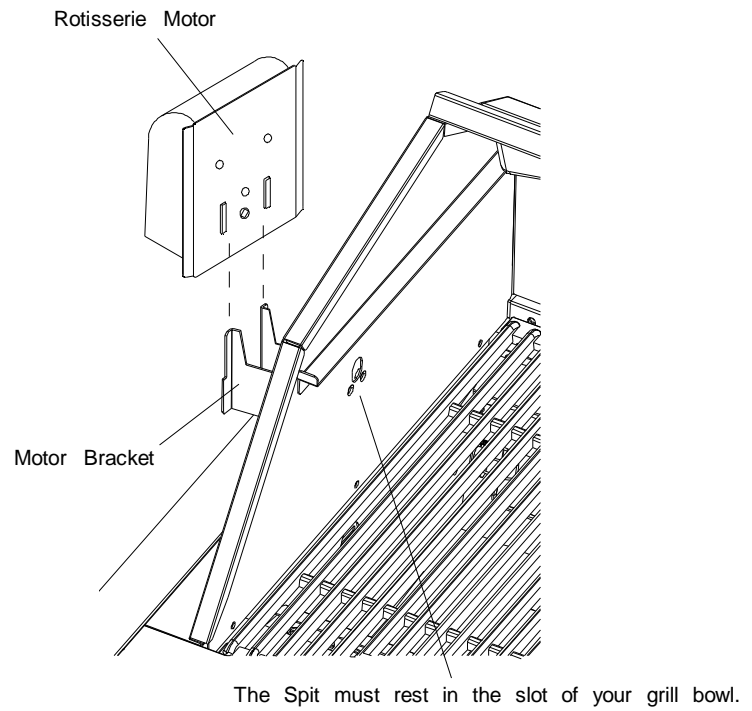
3. Note: Rollers should be fixed into place. Slide 1 Holding Fork through the end of the Rotisserie Spit (make sure that the prong faces towards the center of the spit). Slide the spit through the piece of meat or poultry. Place the other holding fork onto the other end of the spit. Adjust spacing between Forks to accommodate your food and then tighten the Thumbscrews to keep the Forks in position.



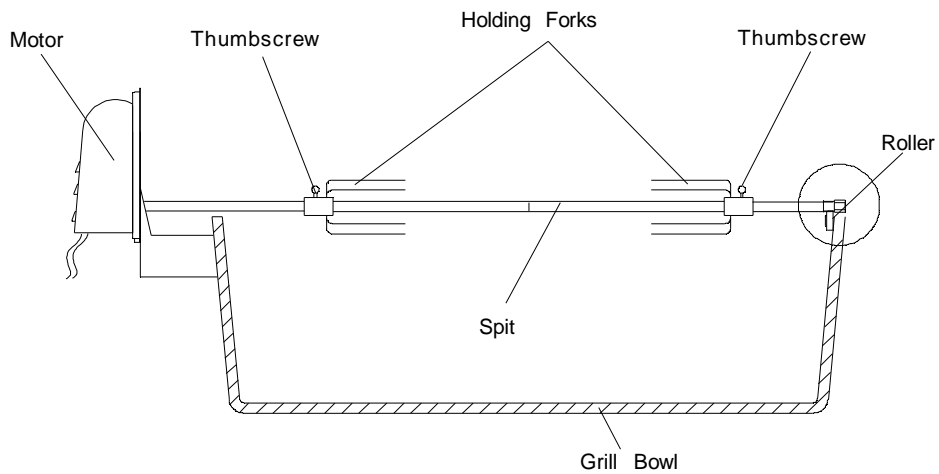
Rot.Thumbscrew 1/4"x1/2"
Qty. 2
Ref. # S196G04081



4. Install the Rotisserie Motor onto the Motor Bracket as shown. Be sure the Motor attaches to the Bracket with the electrical cord down.



5. Insert the assembled Rotisserie into the Motor as shown below. The Motor should be on the left side of your grill. Place the Rollers into the slot opening on the left side of your grill bowl. The Rollers allow the Rotisserie spit to turn smoothly. Plug the Rotisserie into an outlet and turn on to test.



BEFORE rotisserie cooking, you will need to remove the Cooking Grids from your grill.

CLEANING AND MAINTENANCE

Proper care and maintenance will keep your grill in top operating condition and prolong its life. Follow these cleaning procedures on a timely basis and your grill will stay clean and operate with minimum effort.

CAUTION: Be sure your grill is OFF and cool before cleaning.

Cleaning The Cooking Grids

- Before initial use and periodically thereafter, wash your Cooking Grids in a mild soap and warm water solution. You can use a wash cloth or vegetable brush to clean your cooking grids.

Cleaning The Grease Tray

- To reduce the chance of fire, the Grease Tray should be visually inspected before each grill use. Remove any grease and wash Grease Tray with a mild soap and warm water solution.

Cleaning the Inside of the Grill Lid

- Grease can build up on the inside of the Grill lid over time. This grease can drip onto your deck or patio when the lid is opened. Visually inspect the inside of the Grill Lid before each grill use. Remove any grease and wash with a mild soap and warm water solution.

Routine Cleaning of The Grill Interior

- Burning-off excess food after every cookout will keep it ready for instant use. However, at least every 3 months you must give the entire grill a thorough cleaning to minimize your risk of grease fire and keep the grill in top shape. Follow these steps:
 1. Turn all Burner Knobs to the full OFF position.
 2. Turn the LP gas tank valve to the full OFF position.
 3. Disconnect the regulator from the gas tank. Inspect the hose with regulator assembly for cracking, cuts or any other damage, and replace as necessary. Refer to the Parts List in this Operator's Manual.
 4. Remove and clean the Cooking Grids and Secondary Cooking Rack.
 5. Brush the inside and bottom of the grill with a fiber pad or nylon brush and wash with a mild soap and warm water solution. Rinse thoroughly and let dry.
 6. Check each Spark Electrode, adjusting as needed. The space between the Spark Electrode Tip and Spark Receiver should be approximately 1/8" (3.2mm).
 7. Replace the Cooking Grids and Secondary Cooking Rack.
 8. Reconnect the gas source and observe the Burner flame for correct operation.

Cleaning Exterior painted Surfaces:

Before initial use, and periodically thereafter, we suggest you wash your grill using a mild soap and warm water solution. You can use a wash cloth or sponge for this process. Do not use a stiff wire or brass brush. These will scratch stainless steel and chip painted surfaces (varies by model) during the cleaning process.



**WARNING**

Do not leave the grill unattended during burn off. Empty and clean the grease tray before doing burn-off.

Cleaning Exterior Stainless Steel Surfaces:

- Routine care and maintenance is required to preserve the appearance and corrosion resistance of stainless steel. The fact is stainless steel can corrode, rust and discolor under certain conditions. Rust is caused when regular steel particles in the atmosphere become attached to the stainless steel surface. Steel particles can also become attached to your grill if you use steel wool or stiff wire brushes to clean the grill instead of non-abrasive cloth, sponge or nylon cleaning tools. In coastal areas rust pits can develop on stainless surfaces that cannot be fully removed. Bleach and other chlorine based solutions used for household and pool cleaning can also cause corrosion to stainless steel. Weathering, extreme heat, smoke from cooking and machine oils used in the manufacturing process of stainless steel can cause stainless steel to turn tan in color. Although there are many factors which can affect the surface appearance of stainless steel, they do not affect the integrity of the steel or the performance of the grill.

- To help maintain the finish of stainless steel follow these cleaning tips for the best results:
 1. After every use (after your grill has cooled down), wipe stainless surfaces with a soft, soapy cloth or sponge then rinse with water. Be sure to remove all food particles, sauces or marinades from stainless steel because these can be highly acidic and damaging to stainless surfaces.
 2. Never use abrasive cleaners, scrubbers or stiff wire brushes of any type on your grill.
 3. Use a heat resistant Stainless Steel Cleaner and rub or wipe in the direction of the stainless steel grain or polish lines. Do not polish against the grain.

**WARNING**

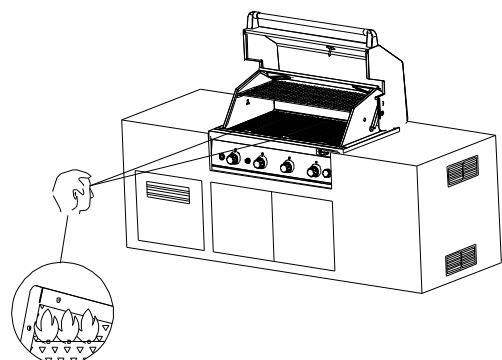
Failure to comply with these instructions could result in a fire or explosion that could cause serious bodily injury, death or property damage.

Keep grill area clear and free from combustible materials, gasoline and other flammable vapors and liquids.

Do not obstruct the flow of air for combustion and ventilation.

Keep the ventilation openings of the tank enclosure cabinet free and clear of debris.

Visually check burner flames occasionally to ensure proper flame pattern as shown below.



MAGNIFIED VIEW OF INFRARED BURNER FLAME THROUGH OPEN LID.

Infrared Grill Cooking Instructions

Burn-Off

- Before cooking on your gas grill for the first time, you should "burn off" the grill to eliminate any odor or foreign matter. Ignite the burners, lower the Lid, and operate grill on 🔥 setting for 3 to 5 minutes.

CAUTION: Infrared cooking times will be much shorter than traditional grilling so never operate this appliance unattended.

Preheating

- To preheat, light your grill on 🔥, lower the Lid and follow this timetable.

☞ For searing and high temperature cooking, preheat grill 3 to 5 minutes.

☞ For low temperature cooking, preheat grill 3 minutes.

☞ To slow cook, preheating is not necessary.

Control Knob Settings

- High setting:** The 🔥 Control Knob setting should only be used to pre-heat your grill the first 3-5 minutes, for searing foods and for burning food residue off the grill for 3-5 minutes after cooking is complete.

CAUTION: Infrared cooking times will be much shorter than traditional grilling so never operate this appliance unattended.

- Low setting:** Most recipes specify the 🔥 setting for baking, roasting, rotisserie cooking and grilling delicate foods such as fish, vegetables and bread.

An Important Note About Infrared Heat Settings

- The suggested heat settings and cooking times shown in the following pages are approximate. Unlike the controlled environment inside your kitchen, variables including outside temperatures, direction and conditions of wind, as well as grill location will affect your grill's heat distribution. Because these conditions vary, and no two backyards are alike, we offer these tips as general guidelines for your reference. We recommend you monitor your grill closely and rotate foods often to prevent overcooking and ensure the most delicious results every time.

☞ The heat from the right and left infrared burners overlap in the mid section of each cooking grid. This area offers the most intense heat for quickly locking in the natural juices and flavor of poultry and meats.

☞ The Secondary Cooking Rack offers less intense heat for preparing breads and firm vegetables like potatoes and corn.

☞ Infrared heat sears the food surface and cooks from the inside out. Infrared heat does not cook through aluminum foil and reflective pans. For roasting and baking you'll find a cast-iron pan works beautifully as it absorbs and conducts the infrared heat very well.

Direct Cooking

- The direct cooking method can be used with the supplied Cooking Grids and food placed on the mid section of each cooking grid where the infrared heat is most intense. **Direct Cooking requires the Grill Lid to be open.** This method is ideal for searing and grilling as well as deep frying in a cast-iron pan or stir-frying in a steel wok.

Indirect Cooking



- To cook **indirectly**, the food should be placed on the left or right side of your grill (or Secondary Rack) with the Burners lit on the opposite side. Rotate the food as needed to ensure even browning. This is the slow cooking method. A faster indirect method is to place your food in an optional cast-iron cooking pan and place it in the center of the grill with all burners on 🔥. Be sure to add liquid if using a pan to keep food moist. If higher heat is desired, turn Left Front (LF) and Right Rear (RR) burners on 🔥 with Left Rear (LR) and Right Front (RF) burners on 🔥 to create a crossray cooking pattern. Either way, **indirect cooking must be done with the Lid down.**

Prepare Cooking Grids for Grilling

- Greasing the cooking surface will help keep foods from sticking during the cookout, produces beautiful sear marks and reduces the amount of cleanup required. Use a brush to apply a thin layer of cooking oil or vegetable shortening onto each Cooking Grid before each cookout. We do not suggest spray type oils unless they are specified for high-temperature cooking.

To Reduce Flare-Ups and Smoke

- Fat and juice dripping from grilled food can cause flare-ups and smoke. To minimize this, cook your food in the mid section of each cooking grid so drippings fall through the center of the grill into the Grease/Water Tray below.

 **WARNING** 

☞ Failure to comply with these instructions could result in a fire or explosion that could cause serious bodily injury, death or property damage.

☞ Never cover the cooking grids, bottom of grill bowl or Grease/Water Tray with charcoal, aluminum foil, sand or any substance that can absorb grease.

☞ **Before each use of your grill:** Pull out the Grease/Water Tray and remove all grease and food debris to prevent grease fire hazard. It is important to keep this Tray 1/2 filled with water while grilling to get the best possible results. Wear a flame retardant BBQ Mitt when handling the Grease/Water Tray.

☞ **Use your grill at least 3 feet away from any wall or surface.** Use your grill at least **3 feet away** from combustible objects that can melt or catch fire (such as vinyl or wood siding, fences and overhangs) or sources of ignition including pilot lights on water heaters and live electrical appliances.

☞ **Never** use your gas grill in a garage, porch, shed, breezeway or any other enclosed area.

☞ **Your grill will get very hot.** Always wear a flame retardant BBQ Mitt when cooking on your grill and handling the Grease/Water Tray. Never lean over cooking areas while using grill. Do not touch cooking surfaces, Lid, grill housing or other parts while grill is in operation, or until the grill has cooled down after use. Be aware that the Tray does contain water and grease and be extremely careful when removing to prevent spillage.

Guide to Infrared Grilling using the Direct Cooking Method

Grilling Steak and Ribs

Fill Grease/Water Tray half-full. Turn the grill Burners on 🔥, close the Lid and preheat your grill 3 to 5 minutes. Open Lid and place food on the mid section of a Cooking Grid. Sear 2-3 minutes on each side then adjust the Infrared Burners to 🔥 and continue cooking until desired doneness. You can also move the seared meat to the Secondary Cooking Rack to finish cooking. This method allows you to sear and prepare larger amounts of meat and keep cooked food warm. Grilling times will vary according to meat thickness.

Grilling Hamburgers, Brats and Sausages

Fill Grease/Water Tray half-full. Turn the grill Burners on 🔥, close Lid and preheat your grill 3 to 5 minutes. Open Lid and place food on the mid section of a Cooking Grid. Sear 2-3 minutes on each side then adjust the Infrared Burners to 🔥 and continue cooking until desired doneness. Grilling times will vary according to meat thickness.

Grilling Poultry

Fill Grease/Water Tray half-full. Turn the grill Burners on 🔥, close Lid and preheat your grill 2 to 3 minutes. Open Lid and place food on the mid section of a Cooking Grid. Sear 2-3 minutes on each side then adjust the Infrared Burners to 🔥 and continue cooking until desired doneness.

To minimize flare-ups, use skinless poultry or use the indirect method. Place the poultry on one side of the grill with the opposing Burners on LOW heat, and lower the grill Lid.

Grilling Pork

Fill Grease/Water Tray half-full. Turn the grill Burners on 🔥, close Lid and preheat your grill 3 to 5 minutes. Open Lid and place food on the mid section of a Cooking Grid. Sear 2-3 minutes on each side then adjust the Infrared Burners to 🔥 and continue cooking until desired doneness. Grilling times will vary according to meat thickness.

Whole Fish and Whole Fillets

Fill Grease/Water Tray half-full. Turn the grill Burners on 🔥, close Lid and preheat your grill 3 to 5 minutes. Open Lid and place food (skin down) on the mid section of a Cooking Grid. Sear 2 minutes on each side then adjust the Infrared Burners to 🔥 and continue cooking until fish is opaque but still moist.

Vegetables and Fruit

Fill Grease/Water Tray half-full. Prepare your fruit or vegetables and brush with butter or basting sauce if desired. In some instances, you may want to grill vegetables and fruit **directly** over the heat, using the supplied Cooking Grids. Foods that work best with direct heat are relatively soft and require a short cooking time: mushrooms, zucchini, tomatoes and skewered fruit such as apricots, peaches, pineapple, strawberries and kiwis. Remember the **Grill Lid must remain up when cooking directly.**

To cook **indirectly**, the food should be placed on the left or right side of your grill (or Secondary Rack) with the Burners lit on the opposite side. Either way, **indirect cooking must be done with the Lid down.**

Cut of Meat

T-bone steak
Sirloin steak
Beef spare ribs
Porterhouse Steak
New York strip steak

Approx. Total Cooking Times

Rare: 4-6 minutes
Medium: 6-8 minutes
Well done: 8-10 minutes

Hamburgers
Brats
Sausages

Rare: 3-4 minutes
Medium: 5-6 minutes
Well done: 6-8 minutes

Chicken breast
(cook with bone down)
Chicken wings
Drumsticks

Direct method:
approximately 6-8 minutes
Indirect method:
up to 30 minutes

Whole bird
(cook with breast up)

Indirect method:
approximately 1 hour

Chops
Loins
Cutlets

Medium: 10-12 minutes
Well done: 12-14 minutes

Whole fish
Whole fish fillets

Approx. 8 - 18 minutes or
until fish is opaque

For very firm vegetables—particularly potatoes and yams, we recommend that you partially boil until almost cooked, before placing them on the grill.

CAUTION: Infrared cooking times will be much shorter than traditional grilling so never operate this appliance unattended.

NOTE: Do not use aluminum foil to wrap vegetables and fruit. Infrared heat does not cook through aluminum foil and reflective pans.

Guide to Roasting & Baking using the Indirect Cooking Method

An Important Note About Infrared Heat Settings

The suggested heat settings and cooking times shown are approximate. Unlike the controlled environment inside your kitchen, variables including outside temperatures, direction and conditions of wind, as well as grill location will affect your grill's heat distribution. Because these conditions vary, and no two backyards are alike, we offer these tips as general guidelines for your reference. We recommend you monitor your grill closely and rotate foods often to prevent overcooking and ensure the most delicious results every time.

Preparing to Roast

Roasting uses the **indirect cooking** method. Therefore, the food should be placed on the left or right side of your grill with the Burners lit on the opposite side. You can also use an optional cast-iron pan underneath food allowing you to collect juices for making gravies. Remember, indirect cooking requires the Lid of your grill to be down.

Fill Grease/Water Tray half-full. Preheating your grill is not required for slow cooking methods such as roasting. If you do choose to preheat your grill before roasting, turn the Burners on HIGH and close Lid for approximately 2 minutes.

Food preparation

Trim meat of excess fat. Truss meat and poultry with cooking string to retain shape if desired. Bacon strips can be used to cover the outside surface of lean meat and poultry to help prevent it from drying out. To keep food moist during roasting be sure to keep the Grease/Water Tray filled. If using an optional cast-iron pan for cooking, you should also add liquid to prevent burning the bottom of your food.

Tips for roasting

Except when roasting with water in a roasting pan, the juices that collect in the pan can be used as the base for a tasty sauce or gravy. Place a cooking pan directly over the cooking grids, add extra butter if needed, then add several spoonfuls of flour to thicken sauce. Finally, add sufficient chicken or beef stock to obtain the desired consistency.

Once the meat is cooked, remove it from your grill and cover with a piece of foil. Allow it to stand for 10-15 minutes which allows the juices to settle. This will make carving easier and ensure a tender, juicy roast.

Type of Food	How Cooked	Approximate Cooking Times
Beef	Rare	14 minutes per pound
	Medium	18 minutes per pound
	Well done	20 minutes per pound
Lamb	Medium	14 minutes per pound
	Well done	18 minutes per pound
Veal		22 minutes per pound
Pork		23-26 minutes per pound
Chicken		17-20 minutes per pound
Duck		20 minutes per pound
Fish		8 minutes per pound
Turkey, under 16 pounds		17-20 per pound + 20 minutes
Turkey, over 16 pounds		14-18 per pound + 10 minutes

BAKING TECHNIQUES

Preparing to Bake

To bake in your new grill you'll need a baking dish or cast-iron cooking pan, and a pair of flame retardant BBQ Mitts. If the cooking pan is cast-iron be sure to season the pan before use.

Fill Grease/Water Tray half-full. Preheat your grill 3 minutes, then lower heat as needed. Baking uses the **indirect cooking** method. To cook **indirectly**, the food should be placed on the left or right side of your grill with the Burners lit on the opposite side. This is the slow cooking method. A faster indirect method is to place your food in an optional cast-iron cooking pan and place it in the center of the grill with all burners on LOW. If higher heat is desired, turn Left Front (LF) and Right

Rear (RR) burners on HIGH with Left Rear (LR) and Right Front (RF) burners on LOW to create a crossray cooking pattern. Either way, **indirect cooking must be done with the Lid down.**

Tips for Baking

Prepare your favorite recipe as you would in the kitchen. You will need to stir the food several times as it bakes, and add additional liquid as required. Watch the temperature, and adjust to cook according to your recipe directions.

Oven Temperature

Slow	300° - 340° F
Moderate	355° - 390° F
High	410° - 480° F

Recommended Grill Setting

Left or right 2 burners on LOW
All 4 burners on LOW
LF + RR burners on HIGH and LR + RF burners on LOW

Guide to Stir-Frying and Deep-Frying

STIR-FRYING TECHNIQUES

This method of cooking is popular around the world and can be easily accomplished outdoors on your gas grill. It's a quick and healthy way of preparing a complete meal using meat, poultry or seafood in infinite combinations with other interesting ingredients like vegetables, rice or noodles.

Preparing to Stir-fry

Although it is possible to stir fry in other dishes, a wok is your best tool. Its high sides enable the cook to stir food without spillage. Its construction allows you to cook quickly at high temperatures, with instant control of heat which is essential for successful stir frying.

Food preparation

Slice meat and poultry into long thin strips and cube fish fillets. Remove all fat from meat and poultry and cut large vegetables into even slices or cubes.

Marinate foods for extra flavor and tenderness. Marinating times will vary for red meat, fish and or various cuts. Less tender cuts of meat should be marinated longer. Remember to always chill marinating food in the refrigerator prior to cooking.

Stir-fry meats, poultry or fish first. Next, add hard vegetables like carrots. Then continue with softer vegetables like snowpeas and peppers. To ensure even cooking, continually stir and toss the food in the wok using a wooden spoon or spatula.

Tips for Stir-frying

Place a wok on a Cooking Grid in the path of direct infrared heat. Add only a small amount of food at a time to ensure fast cooking and also to allow the wok to reheat between ingredients.

DEEP-FRYING TECHNIQUES

A wide variety of foods can be deep-fried outdoors on your grill, from potatoes, to seafood and chicken. Deep-frying uses a large portion of oil, preferably saturated. The outdoor location is ideal for deep-frying as smoke, grease and smells disperse in the open air instead of collecting on the ceiling of your kitchen.

Preparing to Deep-fry

Deep-fry on your grill using an optional cast-iron pan placed on a Cooking Grid in the path of direct infrared heat.

Fill a cooking pan no more than half full of vegetable or corn oil. **Fill Grease/Water Tray half-full.** Turn the grill Burners on HI, close Lid and preheat your grill 3 to 5 minutes. Open Lid and place cast-iron pan on the mid section of a Cooking Grid then adjust the Infrared Burners to LOW.

Check the temperature of the oil carefully with a frying thermometer or test with a cube of bread. The cube of bread should brown in about 30 seconds for most cooking needs. 350°F(177°C) is the optimal temperature for preparing the majority of deep-fried foods.

Food Preparation

Foods being deep-fried taste better when coated with either batter or breadcrumbs to add flavor and prevent moisture from escaping.

Tips for Deep-frying

Wear a flame retardant BBQ Mitt and slowly lower foods into the hot oil using a wire scoop, fry-basket or stainless steel tongs. Add only a small quantity of food to the oil, allow it to cook, then repeat with another small quantity. This ensures the oil doesn't drop in temperature. Once the food is cooked, remove it carefully and drain onto a paper towel. Turn the heat off as soon as you have finished deep-frying and allow your pan to cool. When the oil is cool, remove all remnants of fried foods by straining it through a fine metal sieve, and store it in a clean bottle for future use.

Guide to Using the Secondary Cooking Rack

Vegetables are generally easy to cook on the grill. The Secondary Cooking Rack makes it convenient because you can still use the main cooking area while the vegetables are suspended above the grids.

Pre-cook hard vegetables by briefly boiling or microwaving them before cooking on the grill. Do not grill your vegetables wrapped in aluminum foil. Infrared heat does not cook through aluminum foil and reflective pans. To keep vegetables moist, brush them with butter or oil often.

The Secondary Cooking Rack can be used for purposes other than just the obvious. Consider using the rack for warming French bread, garlic bread, croissants or even bagels.

Question:

Can I convert my grill from one fuel type to another in other words from LPG to NG or vice versa?

Answer:

No, your gas grill is manufactured to exact specifications and is certified for LPG (Liquid Propane Gas) or NG (Natural Gas) use only. For your safety, conversion kits are not available, nor will we sell or otherwise provide parts or information to be used to convert your grill. Any attempt to convert your grill is dangerous and will void your warranty.

Question:

Are the serial and model numbers of my grill listed somewhere for reference?

Answer:

The serial and model numbers are listed on a silver CSA label placed on the grill. Depending on the grill model the silver CSA label will be located on the left or right side bowl panel underneath the side shelf, underneath the right side of the control panel, outside left or right of control panel or on the back of the grill cabinet.

Question:

My grill will not light properly. Why?

Answer:


Always light the Main Burner farthest from the fuel source first. This will draw gas across the manifold helping prevent air pockets which obstruct gas-flow and prevent proper grill lighting. Also try this procedure:


1. Turn gas off at source and turn Control Knobs OFF. Wait at least 5 minutes for gas to clear, then retry.
2. If your grill still fails to light, turn the Burner Control Knob(s) and gas source OFF and conduct a leak test of ALL gas connections and gas sources as explained in the Use and Care section of this manual.
3. If no leaks are detected, wait 5 minutes for any gas to clear and repeat the lighting procedure.

Question:


If my ignitor or battery is not working how can I light my grill manually? And - Why would I need the silver lighting stick that hangs from the side of my grill?

Answer:

If your ignition fails to work or if your battery needs replacing, you can light your grill using the Manual Lighting Stick. The Lighting Stick is designed to hold a paper match and allows you to safely insert a match through the Cooking Grid without getting close to the Burner. To light your gas grill manually, insert a paper match into the Manual Lighting Stick and follow steps 1 through 5 of the Basic Lighting Procedures. Then, light the match and place the Lighting Stick through the Cooking Grid. Turn the nearest main Burner Control Knob to the  setting to release gas. The Burner should light immediately.



WARNING



Never lean over the grill cooking area while lighting your gas grill. Keep your face and body a safe distance (at least 18 inches) from the front of grill when lighting your grill by match.

Question:

Sometimes I hear a humming sound coming from my regulator. What causes this? And - My grill has a low flame and sometimes will not light. Why?

Answer:

The humming sound is gas flowing through the regulator. A low volume of sound is normal and will not interfere with the operation of your grill. Loud or excessive regulator humming and/or low flow and intermittent lighting may be caused by the regulator's excess gas flow device. Opening the tank valve all the way or too quickly is what triggers the regulator's safety device to restrict gas flow, preventing excess gas flow to your grill. Lighting the main Burner farthest from the fuel source every time will help eliminate air pockets in the manifold. Note: This procedure should be done every time a new LP Gas tank is connected to your grill.

- Turn all Control Knobs to the OFF position.
- Turn off the LP Gas tank at the tank valve. For Natural Gas shut off NG valve.
- Disconnect regulator from LP Gas tank. For Natural Gas disconnect regulator from 12 ft. Natural Gas Hose.
- Let unit stand for 5 minutes.
- Reconnect regulator to the LP Gas tank. For Natural Gas reconnect regulator to 12 ft. Natural Gas Hose.
- Open grill Lid.
- Turn the tank valve slowly ¼ of one turn. For Natural Gas open Shut Off valve.
- Light main Burner farthest from fuel source.
- Turn the tank valve slowly one more ¼ of one turn for ½ of one complete turn.
- Continue to light Burners moving towards the fuel source.
- Do not turn tank valve more than ½ of one turn on LPG models.

Question:

Where do I use my grill for safer operation and better performance?

Answer:

- Strong winds and low temperatures can affect the heating and performance of your gas grill so factor in these elements when positioning your grill outdoors for cooking.
- Use your grill at least 3 feet away from any wall or surface.
- Use your grill at least **3 feet away** from combustible objects that can melt or catch fire (ex: vinyl or wood siding, fences and overhangs) or sources of ignition including pilot lights on water heaters and live electrical appliances.
- Never** use your gas grill in a garage, porch, shed, breezeway or any other enclosed area.
- Never** obstruct the flow of ventilation air around your gas grill housing.

Question:

The Regulator and Hose supplied with my gas grill does not fit the older LP Gas tank I've used for years. Why not?

Answer:

The U.S. Government regulates gas appliances and LP Gas tanks. When regulations are changed the LP Gas tank fittings are altered to insure compliance. If your LP Gas tank does not fit the Regulator and Hose supplied with your new grill, the tank is outdated and must be replaced. Note: Effective April 1, 2002 all LP Gas tanks sold must include an "OPD" Overfill Prevention Device. The OPD tanks are identified by their triangular-shaped valve wheel. This internal device prevents the LP Gas tank from being overfilled. Tanks without an OPD valve can not be refilled.

After every use (after your grill has cooled down), wipe stainless surfaces with a soft, soapy cloth or sponge then rinse with water. Be sure to remove all food particles, sauces or marinades from stainless steel because these can be highly acidic and damaging to stainless surfaces.

Never use abrasive cleaners, scrubbers or stiff wire brushes of any type on your grill. Use a heat resistant Stainless Steel Cleaner and rub or wipe in the direction of the stainless steel grain or polish lines. Do not polish against the grain.

Question:

What causes grill parts to rust and what effect does it have on my grill?

Answer:

Rusting is a natural oxidation process and will not affect the short term performance of your grill.

To slow the rusting process on Cooking Grids we recommend greasing the grids before and after each cookout. Use a brush to apply a thin layer of cooking oil or vegetable shortening onto each grid. We do not suggest spray type oils unless they are specified for high-temperature cooking. If your Cooking Grids are Porcelain coated, be sure to coat the entire cooking surface including edges and any areas with chipped porcelain.

Routine care and maintenance is required to preserve the appearance and corrosion resistance of stainless steel. The fact is stainless steel can corrode, rust and discolor under certain conditions. Rust is caused when regular steel particles in the atmosphere become attached to the stainless steel surface. Steel particles can also become attached to your grill if you use steel wool or stiff wire brushes to clean the grill instead of non-abrasive cloth, sponge or nylon cleaning tools. In coastal areas rust pits can develop on stainless surfaces that cannot be fully removed. Bleach and other chlorine based solutions used for household and pool cleaning can also cause corrosion to stainless steel.

Weathering, extreme heat, smoke from cooking and machine oils used in the manufacturing process of stainless steel can cause stainless steel to turn tan in color. Although there are many factors which can affect the surface appearance of stainless steel, they do not affect the integrity of the steel or the performance of the grill. To help maintain the finish of stainless steel follow these cleaning procedures for the best results:

Grand Home Holdings dba Barbeques Galore Limited Lifetime Warranty

Barbeques Galore will warrant to the ORIGINAL PURCHASER of this gas grill that it will be free of defects in material and workmanship for set periods below from the date of purchase when used under normal outdoor use and correct assembly.

- **Burners, Cooking Grids (when applicable) - 5 year Limited Warranty (No rust or burn through)**
- **Flame Tamers, Electrical Components, Ignition Systems, Valves, and Plastic Components - 2 year Limited Warranty**
- **All other stainless steel parts - Limited Lifetime Warranty**

Barbeques Galore will require reasonable proof of your date of purchase. Therefore, you should send in the owner registration card and save your receipt in case it is required as proof of purchase.

This Limited warranty is limited to replacement of parts at Barbeque Galore's option that proved to be defective under normal use and service. You will be charged for shipping and handling of the replacement parts.

Barbeques Galore may require the return of defective parts for examination before issuing replacement parts. If you are required to return defective parts, shipping charges must be prepaid by the customer.

Upon examination and to Barbeque Galore's determination, if the original part is proven defective, Barbeque's Galore may approve your claim and elect to replace such parts without charge. In any instance, customer is responsible for shipping and handling of the replacement parts.

This Warranty does not cover any failures or operating difficulties due to accidents, abuse, misuse, alteration, misapplication, vandalism, improper installation, maintenance or service, damages caused by flashback fire or grease fires, as set out in the Operator's Manual.

This warranty does not cover scratches, dents, corrosion or discoloration caused by weather, heat, abrasive and chemical cleaners, pool or spa chemicals, and/or any tools used in the assembly or installation of this unit. This warranty does not cover paint loss, surface rust, corrosion or stainless steel discoloration which is considered normal wear and tear. This warranty does not cover the cost of any inconvenience, personal injury or property damage due to improper use or product failure.

Deterioration or damage due to severe weather conditions such as hail, hurricanes, earthquakes, tsunamis, tornadoes, terrorism, discoloration due to exposure to chemicals either directly or in the atmosphere, Acts of God/Forces of Nature are not covered by this Limited Warranty.

No part returns will be accepted without prior authorization from Grand Home Holdings dba Barbeques Galore. **Authorization for parts and/or the return of parts may be requested by calling 1-877-934-7455, 8am-4:30pm CST, Monday-Friday.**

For technical troubleshooting and/or service inquiries, please call 1-800-752-3085, 8am-4:30pm CST, Monday-Friday.

Warranty Restrictions

- This warranty gives you specific legal rights, and you may also have other rights which vary from state to state.
- This product is certified for safe use only in the country where purchased; Modification for use in any other location is a safety hazard and immediately voids the warranty.
- This warranty is void if the product is used for commercial or rental purposes.