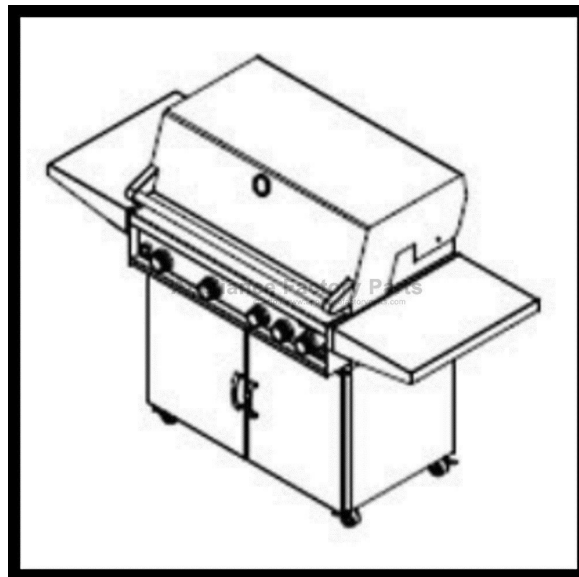


This Owner's Manual is provided and hosted by [Appliance Factory Parts](#).



Grand Hall M3905ANG Owner's Manual

[Shop genuine replacement parts for Grand Hall
M3905ANG](#)



[Find Your Grand Hall Grill Parts - Select From 203 Models](#)

----- Manual continues below -----

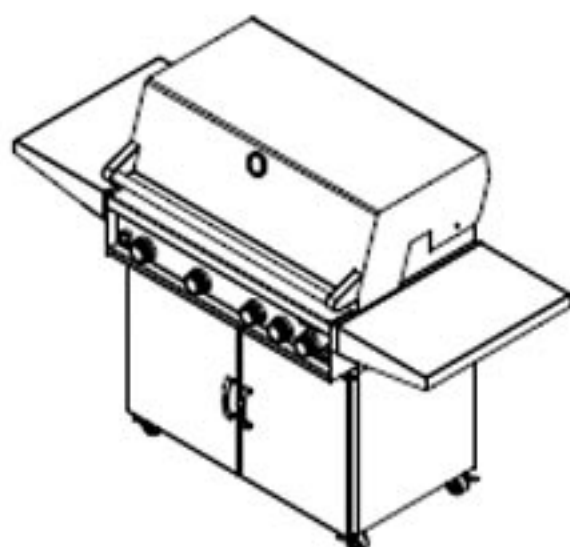


Liquid Propane Gas (LPG) Grill

Model M3905ALP

Natural Gas (NG) Grill

Model M3905ANG



Grill Information Center:

Call us first if you have any problem with this product. We can help you with questions about assembly and grill operation or if there are damaged or missing parts when you unpack this unit from the shipping box. Please call before returning to the store.

1-800-770-9769

8am-4:30pm CST, Monday through Friday

IMPORTANT:

- **NOTE TO ASSEMBLER / INSTALLER:**
Leave this manual with the consumer.
- **NOTE TO CONSUMER:**
Keep this manual for future reference.
- **RECORD YOUR SERIAL #** _____
(see silver CSA label on main body of grill)



WARNING



- Failure to comply with these instructions could result in a fire or explosion that could cause serious bodily injury, death or property damage.
- Whether this grill was assembled by you or someone else, you must read this entire manual before using your grill to ensure the grill is properly assembled, installed and maintained.
- Use your grill at least 3 feet away from any wall or surface. Use your grill at least 3 feet away from combustible objects that can melt or catch fire (such as vinyl or wood siding, fences and overhangs) or sources of ignition including pilot lights on water heaters and live electrical appliances.
- **THIS GAS APPLIANCE IS DESIGNED FOR OUTDOOR USE ONLY.**
- Combustion byproducts produced when using this product contain chemicals known to the State of California to cause cancer, birth defects, or other reproductive harm.

Manual # PGC1900001 - Date: 2008/01/16

Table of Contents

Primary Safety Warnings	1-3
Warranty Terms and Conditions.....	2
Pre-Assembly Instructions.....	3
Part Diagrams and Lists	4-8
Assembly Instructions.....	9-10
Use & Care Instructions:	
• Gas Safety and Leak Tests.....	11-14
• Lighting Instructions	15-16
• Troubleshooting	16
• Rotisserie Instruction.....	17-18
• Cleaning and Maintenance	19-20
• Cooking Guide	A1-A5
• Frequently Asked Questions	A6-A7

Warranty

Full 1-Year Warranty on Grill

For one year from the date of purchase, the Manufacturer will repair or replace, at our option, any grill part (except for paint loss, rusting and ignitor battery) that is defective in material or workmanship.

Limited Warranty on Selected Grill Parts

From one year after the date of purchase for the designated time periods listed below, the Manufacturer will replace the following grill parts if they are defective in material or workmanship. You will be charged for shipping and handling.

- Lifetime: Tube Burners and Stainless Steel parts (except for discoloration due to normal use or excessive heat, and scratches or dents caused by normal use and improper maintenance).
- 2 Years: All Other Grill Parts (except Ceramic Savor Plates™, cooking grids and ignitor battery).

Warranty Service

Warranty service is available by contacting 1-800-770-9769.

Warranty Restrictions

- This warranty is void if grill is used for commercial or rental purposes.
- This grill is safety certified for use only in the country where purchased. Modification for use in any other location is a safety hazard and will void the warranty.
- This warranty gives you specific legal rights, and you may also have other rights which vary from state to state.

Manufacturer:

Grand Hall Enterprise Co., Ltd.
9th Fl., No.298, Rueiguang Rd., Neihu,
Taipei, Taiwan (114)



DANGER



IF YOU SMELL GAS:

1. Shut off gas to the appliance.
2. Extinguish any open flame.
3. Open lid.
4. If odor continues, keep away from the appliance and immediately call your gas supplier or your fire department.



WARNING



1. Do not store spare LP cylinder within 10 feet (3m) of this appliance.
2. Do not store or use gasoline or other flammable liquids and vapors within 25 feet (8m) of this appliance.
3. When cooking with oil/grease, do not allow the oil/grease to get hotter 350°F (117°C)
4. Do not leave oil/grease unattended.



WARNING



- LPG grill models must be used with Liquid Propane Gas and the regulator assembly supplied. Natural Gas models must be used with Natural Gas only. Any attempt to convert the grill from one fuel type to another is extremely hazardous and will void the warranty.
- **Never** use your gas grill in a garage, porch, shed, breezeway or any other enclosed area.
- **Never** obstruct the flow of ventilation air around your gas grill housing.
- Keep gas regulator hose away from hot grill surfaces and dripping grease. Avoid unnecessary twisting of hose. Visually inspect hose prior to each use for cuts, cracks, excessive wear or other damage. If the hose appears damaged do not use the gas grill. Call: 1-800-770-9769 for an authorized replacement hose.

Grill Installation Codes

The installation must conform with local codes or, in the absence of local codes, with either the National Fuel Gas Code, ANSI Z223.1/NFPA 54, or CAN/CGA-B149.1, Natural Gas and Propane Installation Code.

Pre-Assembly Instructions For Your Safety



CAUTION



Failure to comply with these instructions may result in a hazardous situation which, if not avoided, may result in injury.

Spiders and small insects can spin webs and nest in the grill Burner Tubes during transit and warehousing which can lead to a gas flow obstruction resulting in a fire in and around the Burner Tubes. This type of "FLASHBACK FIRE" can cause serious grill damage and create an unsafe operating condition for the user.

To reduce the chance of FLASHBACK FIRE you must clean the Burner Tubes as follows before assembling your grill.

Also do this at least once a month in summer and fall or whenever spiders are active in your area, and if your grill has not been used for an extended period of time.

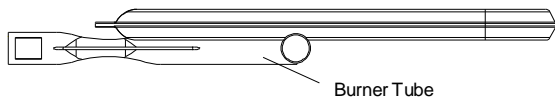
1. Remove the cotter pin from the rear of each Main Burner using long nose pliers.
2. Carefully lift each Burner up and away from the Gas Valve Orifice.
3. Check and clean Burner/Venturi Tubes for insects and insect nests. A clogged tube can lead to a fire beneath the grill.
4. Refer to the figure below and perform one of these 3 cleaning methods:

- METHOD 1:** Bend a stiff wire or wire coat hanger into a small hook as shown and run the hook through the Burner Tube and inside the Burner several times to remove debris.



TO CLEAN BURNER TUBE, INSERT HOOK HERE

9



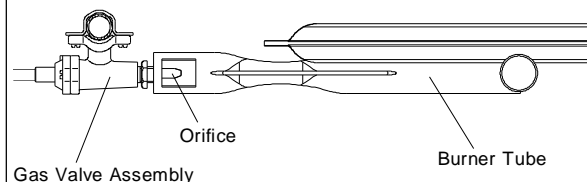
- METHOD 2:** Use a bottle brush with a flexible handle and run the brush through the Burner Tube and inside the Burner several times to remove any debris.
- METHOD 3:** Use an air hose to force air through each Burner Tube. The forced air should pass debris or obstructions through the Burner and out the Ports.



WARNING



For safe operation ensure the Gas Valve Assembly Orifice is inside the Burner Tube before using your grill. See figure. If the Orifice is not inside the Burner Tube, lighting the Burner may cause explosion and/or fire resulting in serious bodily injury and/or property damage.

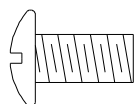


To expedite the assembly process follow these general guidelines:

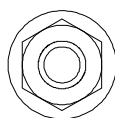
- Tools Required for Assembly** include:
- protective work gloves
 - protective eyewear
 - Phillips Head Screwdriver
 - long nose pliers
- While it is possible for one person to unpack this gas grill, obtain assistance from another person when handling the large pieces.
- Use the Hardware and Part Diagrams to ensure all items are included and free of damage.
- Do not assemble or operate the grill if it appears damaged. If there are damaged or missing parts when you unpack the shipping box or you have questions during the assembly process, call the:
- Grill Information Center 1-800-770-9769**
8am-4:30pm CST, Monday through Friday

Hardware Pack Parts List for Model M3905ALP & M3905ANG

PART #	PART DESCRIPTION	QTY	PURPOSE OF PART
P06002020A	Hardware Pack	1	For use in assembly
S112G04081	Phillips Head Screw 1/4"x1/2"	10	Attaches Side Shelf Brackets To Grill
S313G04081	Flange Nut 1/4"	4	
S112G04061	Phillips Head Screw 1/4"x3/8"	2	
S322G04061	Cap Nut 1/4"	2	
S313G03061	Flange Nut 3/16"	8	Attaches Side Shelves to Side Shelf Brackets
P05501017A	Side Shelf Lock	4	



Phillips Head Screw 1/4"x1/2"
Qty. 10
Ref.# S112G04081



Flange Nut 1/4"
Qty. 4
Ref.# S313G04081



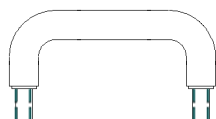
Phillips Head Screw 1/4"x3/8"
Qty. 2
Ref.# S112G04061



Cap Nut 1/4"
Qty. 2
Ref.# S322G04061



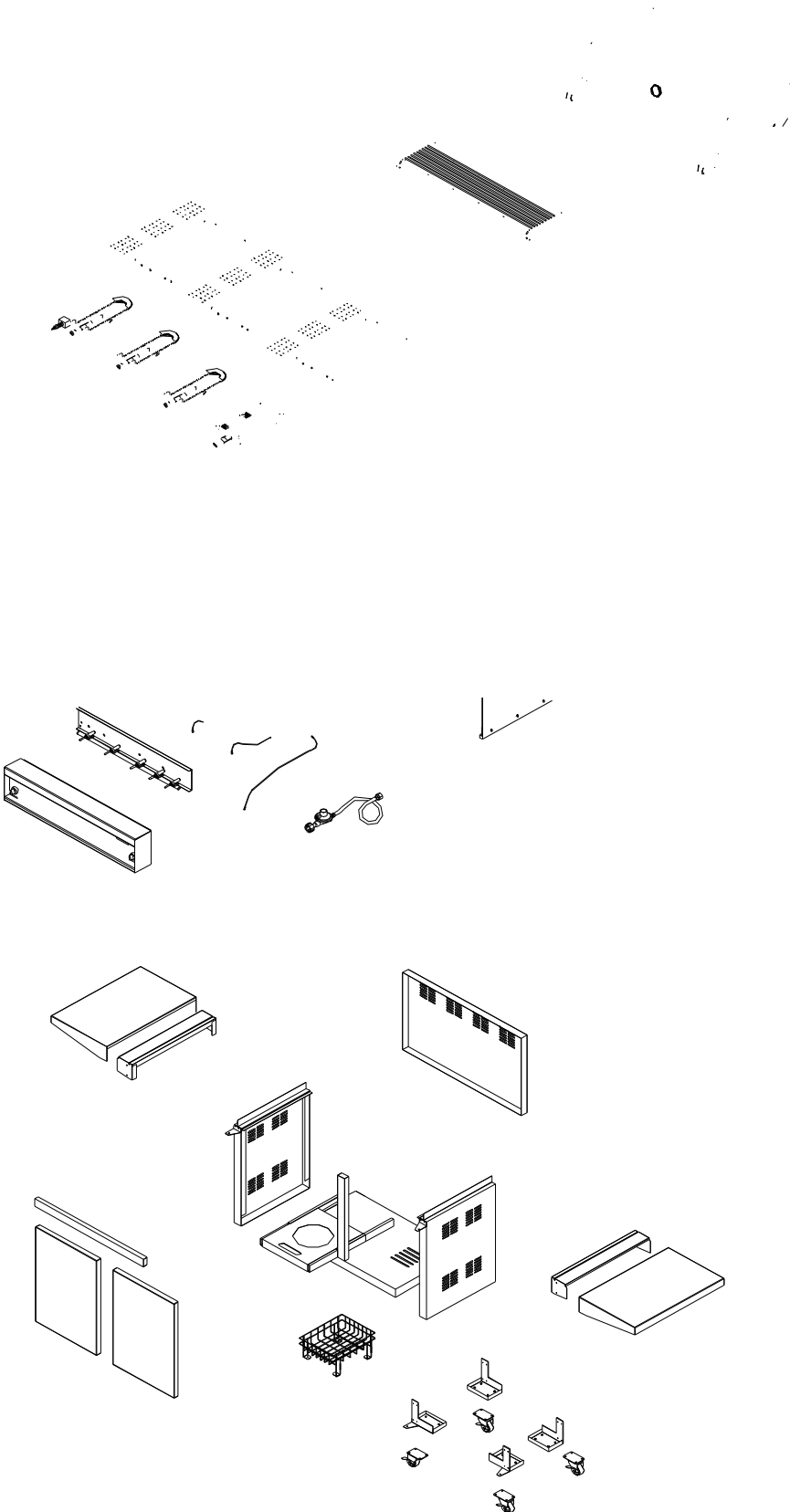
Flange Nut 3/16"
Qty. 8
Ref.# S313G03061



Side Shelf Lock
Qty. 4
Ref.# P05501017A
Scale: 1:2

* Two Batteries/AA included in the Hardware Pack.

Parts Diagram for Model M3905ALP & M3905ANG



Parts List for Model M3905ALP & M3905ANG

KEY	DESCRIPTION	PART#	QTY
1	Lid Assembly	Y0110036	1
1A	Lid Hinge	P05332003A	2
2	Temperature Gauge	P00601171A	1
3	Lid Handle Bracket, Left	P00301016E	1
4	Lid Handle Bracket, Right	P00302016E	1
5	Lid Handle	P00205061A	1
6	Lid Handle Heat-Insulating Spacer	P06801002A	2
7	Protective Pad	P05518002I	4
8	Cooking Rack/Secondary	P01517003B	1
9	Cooking Grid	P01604009B	4
10	Savor Plate, Ceramic	P01804006A	9
11	Savor Plate, Rack	P01717003E	3
12	Burner/Main	P02008004A	3
13	Gas Collector Box with Electrode	P02609001B	3
14	Infrared Burner Assembly	P02005004A	1
15	Infrared Burner Electrode	P02614010C	1
16	Infrared Burner Thermocouple	P05305008A	1
17	Infrared Burner Electrode Bracket	P03328016C	1
18	Infrared Burner Electrode Protector	P06909003C	1
19	Control Panel, Upper	P02909091S	1
20	Control Panel, Lower (LPG only)	P02910106B	1
	Control Panel, Lower (NG only)	P02910116G	1
21	Electric Ignitor, 4-port	P02502134C	1
22	Control Knob Seat	P03415014A	5
23	Control Knob with Rubber Ring for Main Burner	P03411053L	3
24	Control Knob with Rubber Ring for Back/Infrared Burner	P03411063L	2
25	Name Plate	P00414005Q	1
26	Electric Ignitor, 2-port	P02502192C	1
27	Gas Valve/Manifold Assembly (LPG only)	Y0060190	1
	Gas Valve/Manifold Assembly (NG only)	Y0060191	1
28	Electric Wire Set	P02615074A	1
29	Grease Draining Plate	P06902003C	2
30	Grease Tray	P02705165B	1
31	Grease Tray Heat Shield, Lower	P06903028A	1
32	Grease Tray Handle	P00213001B	1
33	Bowl Partition Panel	P07523002A	1
34	Bowl Panel, Left	P0072043EC	1
35	Bowl Panel, Right	P0072143EC	1
36	Bowl Panel, Front	P0073843DC	1
37	Bowl Panel, Rear	P0072543DC	1
38	Grease Tray Heat Shield, Upper	P06903029A	1
39	Grease Tray Heat Shield, Extension	P06903030B	1
40	Burner Bracket	P02203114A	1
41	Back Burner Assembly	Y0310018	1
42	Back Burner Orifice (LPG only)	P06527001A	1
	Back Burner Orifice (NG only)	P06527002A	1

Parts List for Model M3905ALP & M3905ANG

KEY	DESCRIPTION	PART #	QTY
43	Back Burner Extension Tube	P03717019A	1
44	Back Burner Electrode	P02614011C	1
45	Back Burner Thermocouple	P05305009A	1
46	Back Burner Electrode Protector	P03328016C	1
47	Back Burner Electrode Bracket	P06909004C	1
48	Back Burner Wind Shield	P06905012B	1
49	Cart Rear Wind Shield	P06906018C	1
50	Regulator with Hose (LPG)	P03631001A	1
51	Side Shelf	P01105002B	2
52	Side Shelf Bracket, Left	P01209003A	1
53	Side Shelf Bracket, Right	P01210003A	1
54	Side Shelf Lock	P05501017A	4
55	Bowl Bracket	P03306015C	1
56	Door, Left	P04302025A	1
57	Door, Right	P04303025A	1
58	Door Handle	P00214028H	2
59	Door Bracket, Left	P03314009C	1
60	Door Bracket, Right	P03314010C	1
61	Bowl Support Bracket	P01303004B	2
62	Cart Side Panel, Left (LPG only)	P07602010A	1
	Cart Side Panel, Left (NG only)	P07602011A	1
63	Cart Side Panel, Right	P07603010A	1
64	Cart Bottom Shelf (LPG only)	P01009006C	1
	Cart Bottom Shelf (NG only)	P01009007C	1
65	Cart Rear Panel	P07701044A	1
66	Cart Support	P01907005B	1
67	Door Magnet	P05523001K	4
68	Tank Pull-Out Tray Assembly	Y0340038	1
69	Caster Seat, LF	P05327009T	1
70	Caster Seat, LR	P05327010T	1
71	Caster Seat, RF	P05327011T	1
72	Caster Seat, RR	P05327012T	1
73	Caster, 2.5 in., with Brake	P05110004D	4
74	Cart Spice Basket (LPG only)	P05204005B	1
	Cart Spice Basket (NG only)	P05204005B	2
75	Lighting Stick	P05507031E	1
76	Regulator Assembly / NG	Y080007	1
77	Hose, 12ft. / NG	P03703001A	1
78	Extension Hose / NG	P03705020A	1
79	Door Guide Plate	P05510014A	1
	Hardware Pack	P06002020A	1
	Operator's Manual	P80108001H	1
	Grill Cover	P07007016A	1

For the repair or replacement parts you need:

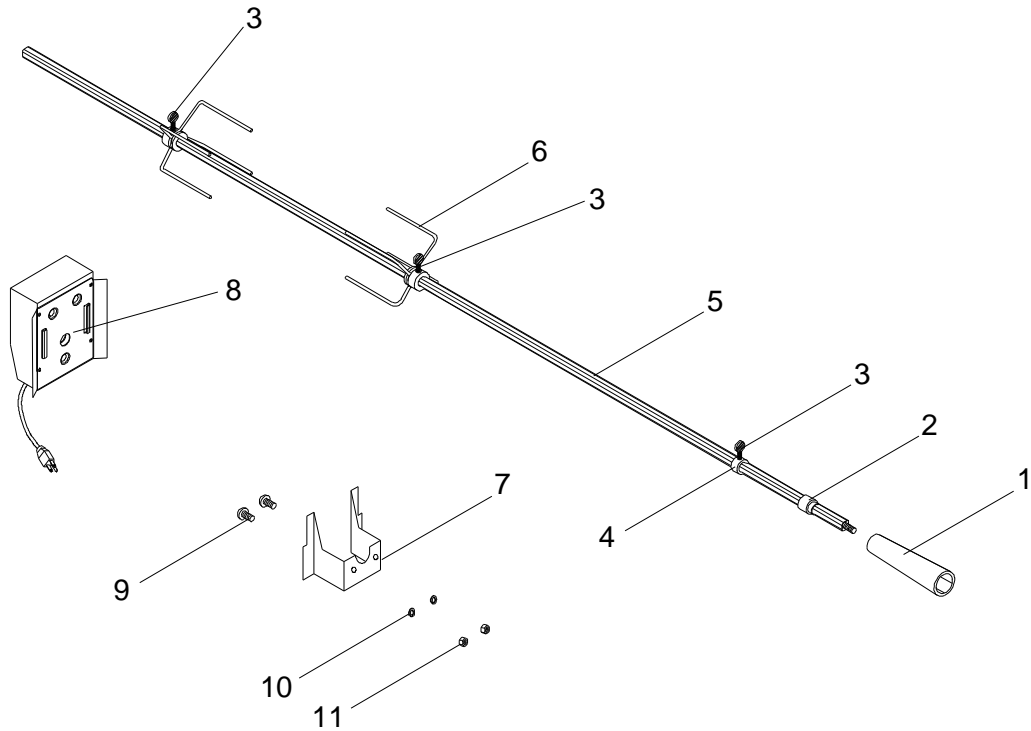
Call our Grill Information Center at **1-800-770-9769**

To obtain the correct replacement parts for your gas grill, please refer to the part numbers in this parts list. The following information is required to ensure you receive the correct parts:

1. Model and Serial Number (see CSA label on grill)
2. Part Number
3. Part Description
4. Quantity of parts needed

Important: Use only factory authorized parts. The use of any part that is not factory authorized can be dangerous and will also void your product warranty. Keep this Operator's Manual for convenient referral and for part replacement.

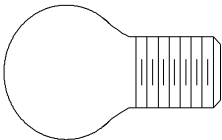
Y0250076 Rotisserie Assembly Parts Diagram



Y0250076 Rotisserie Assembly Parts List

KEY	DESCRIPTION	PART#	QTY
1.	Rot. Handle	P05508004E	1
2.	Rot. Bushing	P05508092F	1
3.	Rot. Thumbscrew 3/8"x1/2"	S196G06084	3
4.	Rot. Collar	P05508091F	1
5.	Rot. Spit	P05508145F	1
6.	Rot. Holding Fork	P05508090F	2
7.	Rot. Motor Bracket	P03307028A	1
8.	Rot. Motor/AC	P07101008B	1
9.	Rot. Screw #10-24x3/4"	S112G10124	2
10.	Rot. Washer	S411G03084	2
11.	Rot. Nut #10-24	S362G10124	2

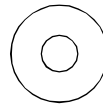
Hardware for Rotisserie



Rot. Thumbscrew
3/8"x1/2"
QTY. 3
Ref.# S196G06084



Rot. Screw#10-24x3/4"
UNC
QTY. 2
Ref.# S112G10124



Rot. Washer
QTY. 2
Ref.# S411G03084



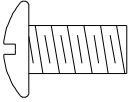
Rot. Nut.#10-24
QTY. 2
Ref.# S362G10124

Grill Information Center: If you have questions about assembly or grill operation, or if there are damaged or missing parts when you unpack this unit from the shipping box, call us 8:00 am - 4:30 pm CST, Monday through Friday at: **1-800-770-9769**

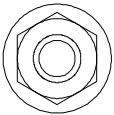
Assembly Instructions

1 Install Side Shelf Brackets

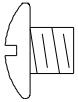
- Align the holes on Right Side Shelf Bracket with the threaded holes and holes on right side of grill. Tighten securely using 6 Screws and 3 Nuts provided.
- Repeat for Left Side Shelf Bracket.



Phillips Head Screw 1/4"x1/2"
Qty. 10
Ref.# S112G04081



Flange Nut 1/4"
Qty. 4
Ref.# S313G04081



Phillips Head Screw 1/4"x3/8"
Qty. 2
Ref.# S112G04061



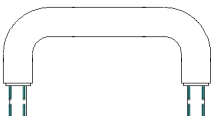
Cap Nut 1/4"
Qty. 2
Ref.# S322G04061

2 Install Side Shelves

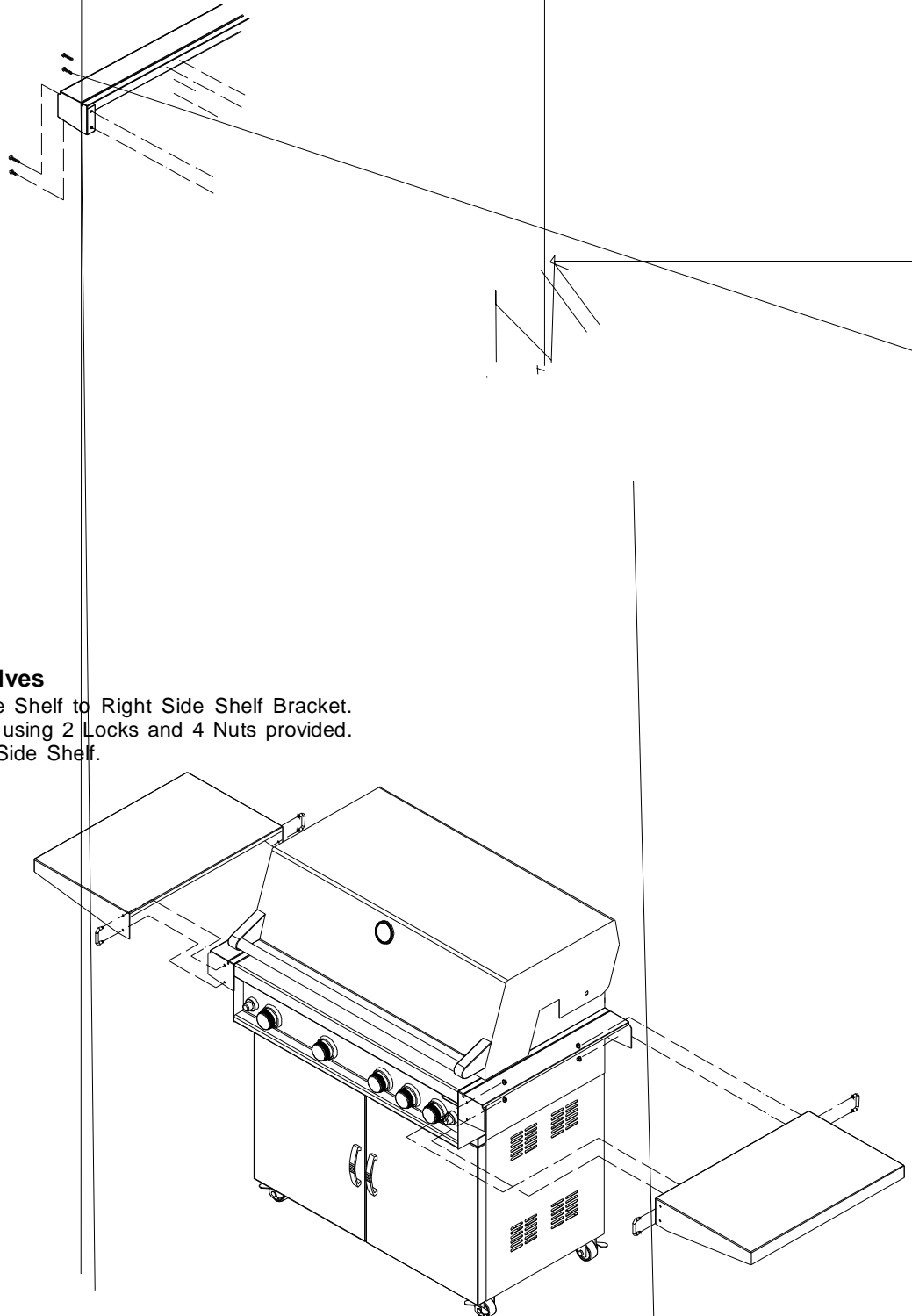
- Install Right Side Shelf to Right Side Shelf Bracket. Tighten securely using 2 Locks and 4 Nuts provided.
- Repeat for Left Side Shelf.



Flange Nut 3/16"
Qty. 8
Ref.# S313G03061



Side Shelf Lock
Qty. 4
Ref.# P05501017A
Scale: 1:2

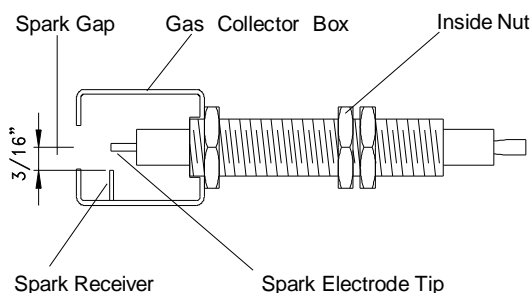


3 Install Ignitor Battery

- Unscrew Ignitor Cap from Control Panel.
- Place supplied AA battery into the Ignitor Slot with positive pole facing you.
- Position the Cap and Spring over the AA battery and tighten onto Control Panel.
- Repeat to install the other AA battery into the Ignitor Slot.

4 With the assistance of another person, perform this Electrode Check before proceeding.

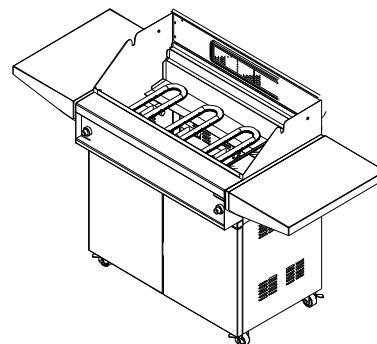
This test will ensure that the Spark Electrode Tips are properly positioned so your grill lights easily and properly.



- Be sure all Control Knobs are set to "OFF" and open the Grill Lid.
- Have your assistant stand behind to the right of the grill and look toward the front of the grill bowl. **Never** put your face inside the Grill Head.
- Turn any Main Burner Control Knob to IGN and push in. You should hear a "clicking" sound. Your assistant should see a blue spark within each Gas Collector Box. If a spark is present the Electrode Tips are properly positioned.
- If no spark is seen, the Spark Gap needs to be adjusted as follows:
 - Using an adjustable wrench, loosen the Inside Nut until the Gas Collector Box can be turned upward.
 - If the gap between the Spark Electrode Tip and Receiver is more than 3/16" use long nose pliers to gently squeeze the Gas Collector Box to narrow gap.
 - Return the Gas Collector Box to its original position, secure the Inside Nut and try the Electrode Check again. If no "clicking" sound is heard:
 - AA Battery may be installed backwards.
 - Electric wires may be loose. Remove the AA Battery and inspect the Ignitor Junction Box found behind the Control Panel and reconnect any loose wires.

5 Install Cooking Components

- Place the Ceramic Savor Plates™ on the Savor Plate™ Rack and place on the lower ledge above the Burners.
- Place the Cooking Grids on the ledge above the Ceramic Savor Plates™.
- Place the Secondary Cooking Rack into the holes on the upper left and right of the Back Burner frame with the bottom resting in the slots on either side of the Grill Bowl.



Final Grill Assembly Step

When you have finished assembling your grill be sure that all screws are tightened for safe operation of your grill.



WARNING




Failure to read and follow the Use and Care Instructions could result in a fire or explosion that could cause serious bodily injury, death or property damage.

USE AND CARE INSTRUCTIONS


CORRECT LP GAS TANK USE

- LP Gas grill models are designed for use with a standard 20 lb. Liquid Propane Gas (LP Gas) tank, not included with grill. **Never** connect your gas grill to an LP Gas tank that exceeds this capacity. A tank of approximately 12 inches in diameter by 18-1/2 inches high is the maximum size LP Gas tank to use. **You must use an "OPD" gas tank which offers a listed Overfill Prevention Device.** This safety feature prevents tank from being overfilled which can cause malfunction of LP Gas tank, regulator and/or grill.
- The LP Gas tank must be constructed and marked in accordance with the Specifications for LP-Gas Cylinders of the U.S. Department of Transportation (D.O.T.) or the National Standard of Canada, CAN/CSA-B339, Cylinders, Spheres and Tubes for Transportation of Dangerous Goods; and Commission, as applicable.
- The LP Gas tank must have a shutoff valve, terminating in an LP Gas supply tank valve outlet, that is compatible with a Type 1 tank connection device. The LP Gas tank must also have a safety relief device that has a direct connection with the vapor space of the tank.
- The tank supply system must be arranged for vapor withdrawal.
- The LP Gas tank used must have a collar to protect the tank valve.
- Never** connect an unregulated LP gas tank to your gas grill. The gas regulator assembly supplied with your gas grill is adjusted to have an outlet pressure of 11" water column (W.C.) for connection to an LP gas tank. Only use the regulator and hose assembly supplied with your gas grill. **Replacement regulators and hose assemblies must be those specified by the Manufacturer.**
- Have your LP Gas dealer check the release valve after every filling to ensure it remains free of defects.
- Always keep LP Gas tank in upright position.
- Do not subject the LP Gas tank to excessive heat.
- Never store an LP Gas tank indoors. If you store your gas grill in the garage **always** disconnect the LP Gas tank first and store it safely outside.
- LP Gas tanks must be stored outdoors in a well-ventilated area and out of the reach of children.
- Disconnected LP Gas tanks must not be stored in a building, garage or any other enclosed area.
- The regulator and hose assembly can be seen after opening the doors (if applicable) and must be inspected before each use of the grill. If there is excessive abrasion or wear or if the hose is cut, it must be replaced prior to using the grill again.
- Never** light your gas grill with the lid closed or before checking to ensure the burner tubes are fully seated over the gas valve orifices.
- Never** allow children to operate your grill. Do not allow children or pets to play near your grill.

- Use of alcohol or drugs may impair the ability to assemble and operate the appliance.
- Keep fire extinguisher readily accessible. In the event of a oil/grease fire, do not attempt to extinguish with water. Use type B extinguisher or smother with dirt, sand or baking soda.
- In the event of rain, cover the grill and turn off the burner and gas supply.
- Use your grill on a level, stable surface in an area clear of combustible materials.
- Do not leave grill unattended when in use.
- Do not move the appliance when in use.
- Allow the grill to cool before moving or storing.
- Do not use your grill as a heater.
- This grill is not intended to be installed in or on recreational vehicles and/or boats.




WARNING




A. Do not store a spare LP-Gas tank under or near this appliance.

B. Never fill the tank beyond 80 percent full; and

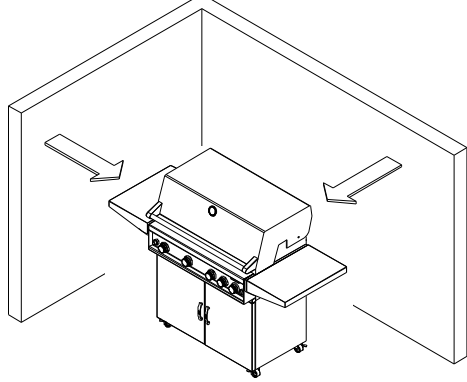
C. If the information in "(a)" and "(b)" is not followed exactly, a fire causing death or serious injury may occur.



WARNING



- **Use your grill at least 3 feet away from any wall or surface.** Use your grill at least **3 feet away** from combustible objects that can melt or catch fire (such as vinyl or wood siding, fences and overhangs) or sources of ignition including pilot lights on water heaters and live electrical appliances.
- **Never** use your gas grill in a garage, porch, shed, breezeway or any other enclosed area.
- **Never** obstruct the flow of ventilation air around your gas grill housing.



USE AND CARE INSTRUCTIONS

NOTE about LP Gas Tank Exchange Programs

Many retailers that sell grills offer you the option of replacing your empty LP Gas tank through an exchange service. Use only those reputable exchange companies that inspect, precision fill, test and certify their tanks. Exchange your tank only for an OPD safety feature-equipped tank as described in the LP Gas tank section of this manual.

Always keep new and exchanged LP Gas tanks in an upright position during use, transit or storage.

Leak test new and exchanged LP Gas tanks BEFORE connecting one to your grill.

How to Leak Test your LP Gas Tank

For your safety:

All leak tests must be repeated each time your LP Gas tank is exchanged or refilled.

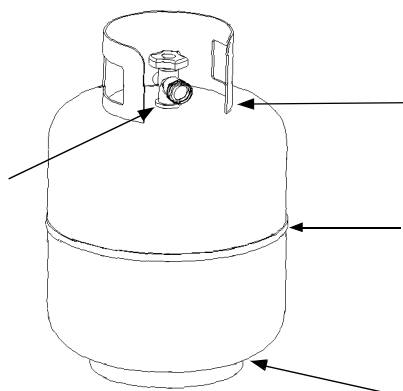
When checking for gas leaks do not smoke.

Do not use an open flame to check for gas leaks.

Your grill must be leak tested outdoors in a well-ventilated area, away from ignition sources such as gas fired or electrical appliances. During the leak test, keep your grill away from open flames or sparks.

Do not use household cleaning agents. Damage to gas assembly components can result.

- Use a clean paintbrush and a 50/50 mild soap and water solution.
- Brush soapy solution onto LP Gas tank in the areas indicated by the arrows. See diagram.
- If growing bubbles appear do not use or move the LP Gas tank. Call an LP Gas Supplier or your Fire Department.



WARNING

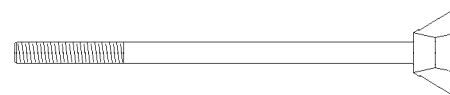
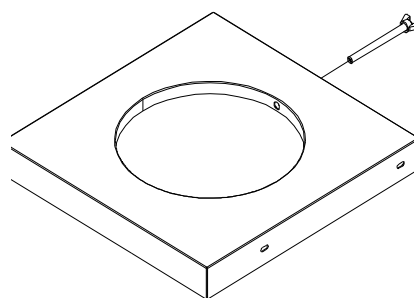


If growing bubbles appear do not use or move the LP Gas tank. Contact an LP Gas Supplier or your fire department!

LP Gas Model only:

Secure a 20lb LP Gas Tank to Gas Grill

- Turn your LP Gas Tank Valve clockwise to the closed or OFF position.
- Place LP Gas tank into tank hole on bottom shelf or (on select models) slide the Tank Tray out of the cabinet until it is fully extended. The Tank Tray has an auto lock position and may need to be pulled firmly.
- Install the tank so the Tank Valve faces the rear right corner of cabinet.
- Screw the Wing Bolt in to secure the gas tank.

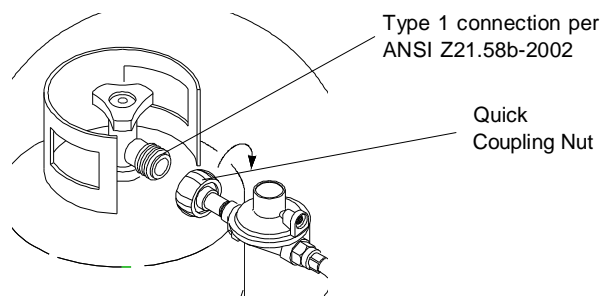


Wing Bolt 5/16"x4-1/2"
Qty. 1
Ref. # S233G05461

LP Gas Model only:

Connect Regulator with Hose to your LPG Tank

- Turn all Burner Valves to the OFF position.
- Inspect the valve connection port and regulator assembly for damage or debris. Remove any debris. Never use damaged or plugged equipment.
- Connect the regulator assembly to the tank valve and HAND TIGHTEN nut clockwise to a full stop. DO NOT use a wrench to tighten because it could damage the Quick Coupling Nut and result in a hazardous condition.
- Open the tank valve 1/4 to 1/2 (counterclockwise) and use a soapy water solution to check all connections for leaks before attempting to light your grill. See "**Checking for LP Gas Leaks**". If a leak is found, turn the tank valve off and do not use your grill until the leak is repaired.



CAUTION: When the appliance is not in use the gas must be turned off at the tank.

USE AND CARE INSTRUCTIONS

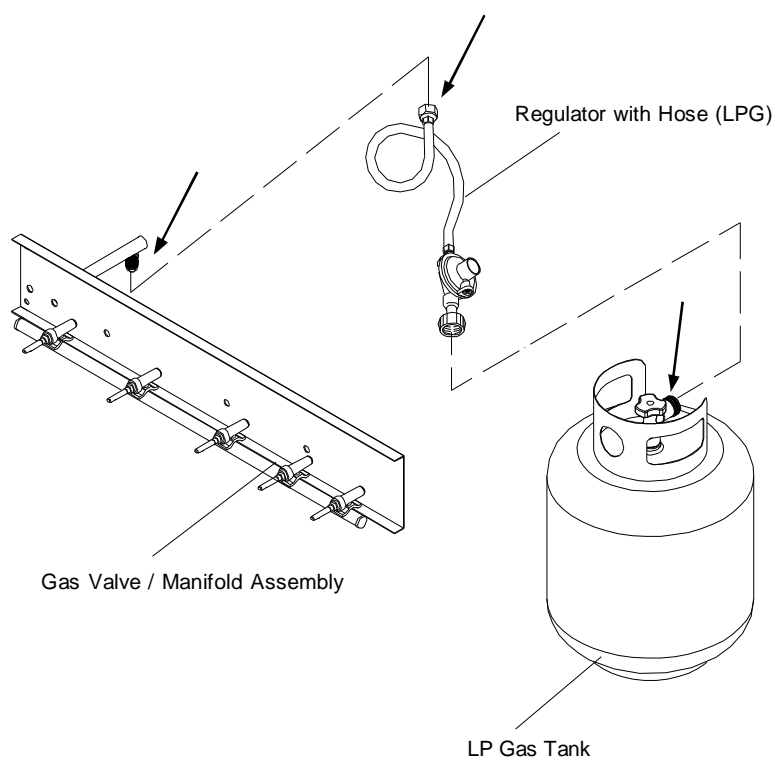
Check all connections for LP Gas Leaks



Never test for leaks with a flame. Prior to first use, at the beginning of each season, or every time your LP Gas tank is changed, you must check for gas leaks. Follow these three steps:

- Make a soap solution by mixing one part liquid detergent and one part water.
- Turn the grill Control Knobs to the full OFF position, then turn the gas ON at source.
- Apply the soap solution to all gas connections indicated by the arrows. See diagram. If bubbles appear in the soap solution the connections are not properly sealed. Check each fitting and tighten or repair as necessary.

Disconnecting A Liquid Propane Gas (LPG) Tank From Your Grill

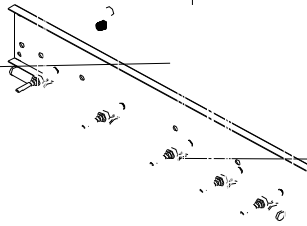
- Make sure the Burner Valves and LP Gas tank valve are off. (Turn clockwise to close.)
- Detach the hose and regulator assembly from the LP Gas tank valve by turning the Quick Coupling Nut counterclockwise.





	WARNING	
<p>If you have a gas leak that cannot be repaired by tightening, turn off the gas at the source, disconnect fuel line from your grill and call 1-800-770-9769 or your gas supplier for repair assistance.</p>		

Natu
Con

are not properly sealed. Check each fitting and tighten or repair as necessary.




	WARNING	
<p>If you have a gas leak that cannot be repaired by tightening, turn off the gas at the source, disconnect fuel line from your grill and call 1-800-770-9769 or your gas supplier for repair assistance.</p>		


USE AND CARE INSTRUCTIONS

Grill Lighting Instructions

1. Before each use, check all hoses for cracks, nicks, cuts, burns or abrasions. If a hose is damaged in any way, do not use your grill before replacing the hose with an authorized part from the Parts List. Also make sure all gas supply connections are securely tightened.
2. Familiarize yourself with the safety and Use and Care instructions in this manual. Do not smoke while lighting grill or checking gas supply connections.
3. Be sure the LP Gas tank is filled or the Natural Gas Line is attached to the gas source. .
4. Open the Grill Lid.
5. Check that the end of each Burner Tube is properly located over each Valve Orifice.

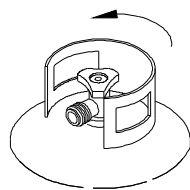
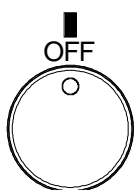


WARNING



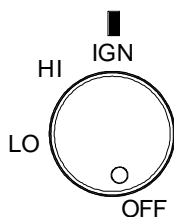
Failure to replace a faulty hose, secure gas supply connections or to open the Lid before proceeding to the Lighting Procedures could result in a fire or explosion that could cause serious bodily injury, death, or property damage.

6. Set Control Knobs to OFF and open the LP Gas tank valve **SLOWLY 1/4 of a turn**. For Natural Gas open the Shut Off Valve at source.



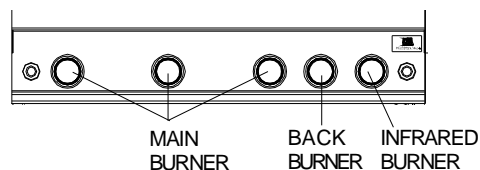
Open LP gas tank

7. Push and turn RIGHT Main Burner Control Knob to IGN. Push the Control Knob in to automatically ignite the Burner.



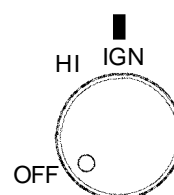
8. If ignition does not occur in 5 seconds, turn the burner Control Knob(s) and gas source OFF and conduct a leak test of ALL gas connections and gas sources as explained in the Use and Care section of this manual. If no leaks are detected, wait 5 minutes for any gas to clear and repeat the lighting procedure.
9. After Burner is lit, turn the knob back to High (or Low) and turn the tank valve SLOWLY one more 1/4 of a turn for 1/2 of one complete turn.
10. Once one Main Burner is lit, the adjacent Main Burner can be lit by turning its Control Knob to HIGH.

Burner Control Knobs on Control Panel



Infrared Burner Lighting Instructions

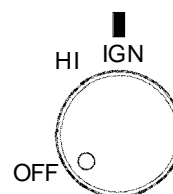
1. Follow steps 1 through 6 of the Grill Lighting Instructions.
2. Push and turn the Control Knob to IGN. Push the Control Knob in to automatically ignite the Burner. Once the burner is lit, turn the knob back to High, keep pressing the knob and holding it for at least 10 seconds before releasing.



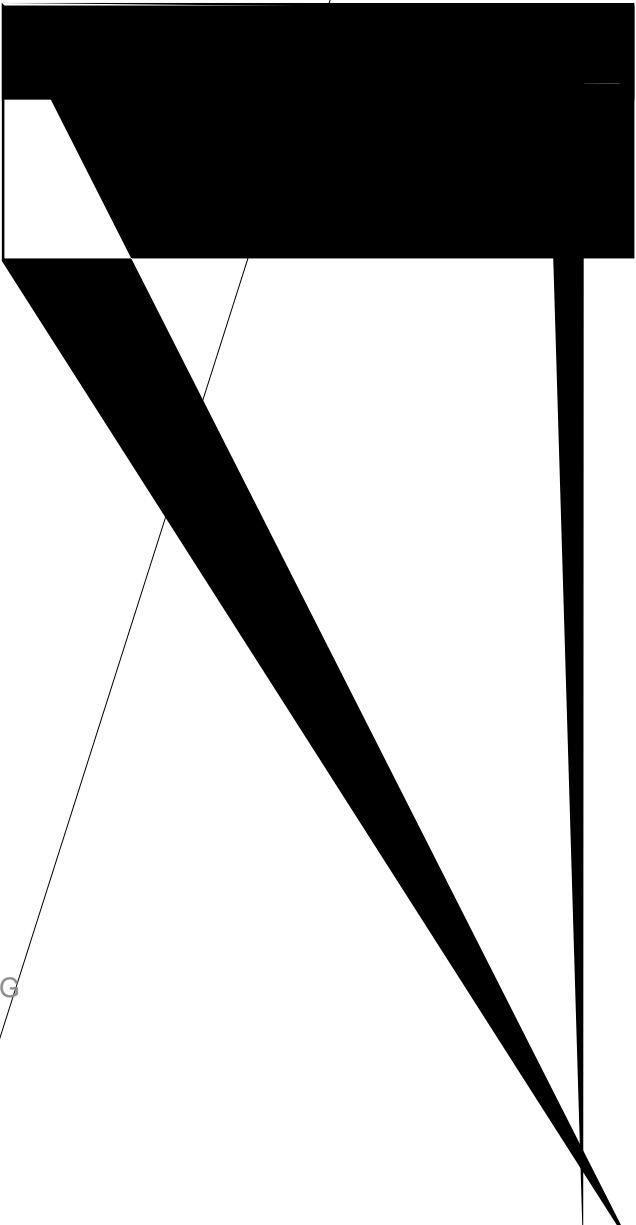
3. After Burner is lit, turn the tank valve SLOWLY one more 1/4 of a turn for 1/2 of one complete turn.

Back Burner Lighting Instructions

1. Follow steps 1 through 6 of the Grill Lighting Instructions.
2. Push and turn the Control Knob to IGN. Push the Control Knob in to automatically ignite the Burner. Once the burner is lit, turn the knob back to High, keep pressing the knob and holding it for at least 10 seconds before releasing.



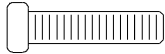
3. After Burner is lit, turn the tank valve SLOWLY one more 1/4 of a turn for 1/2 of one complete turn.



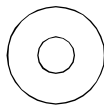
WARNING

Rotisserie Instructions

1. Remove all components from the carton.
2. Attach the Motor Bracket on the outside of the right grill bowl panel. Align the two holes of the Bracket with the holes on the grill bowl. Tighten securely using two Screws #10-24x3/4" UNC, Plain Washers and Nuts provided.



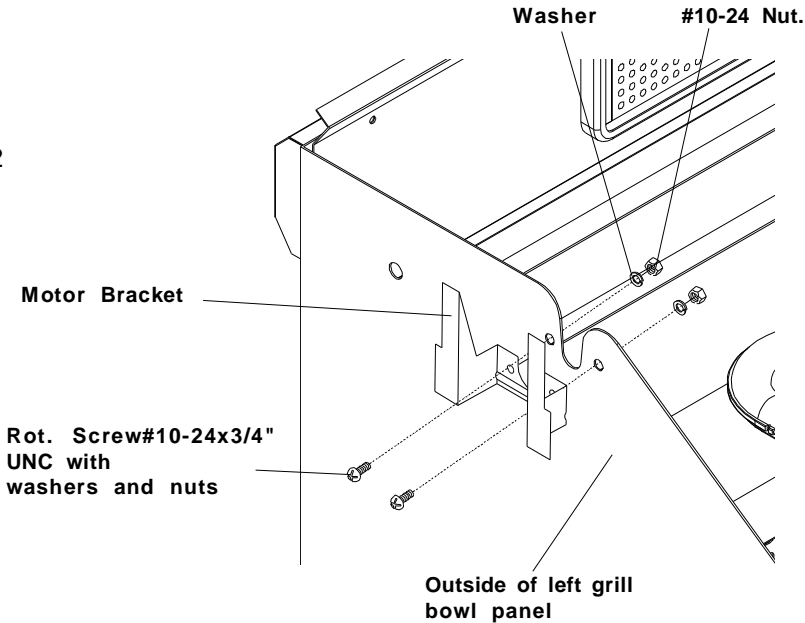
Rot. Screw #10-24x3/4" UNC x2



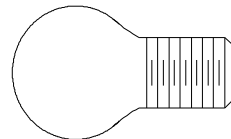
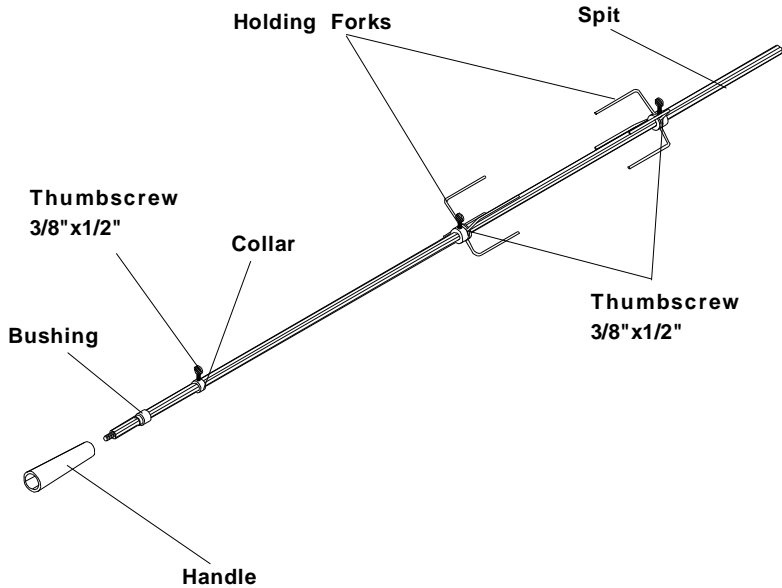
Rot. Washer x2



Rot. Nut #10-24 x2

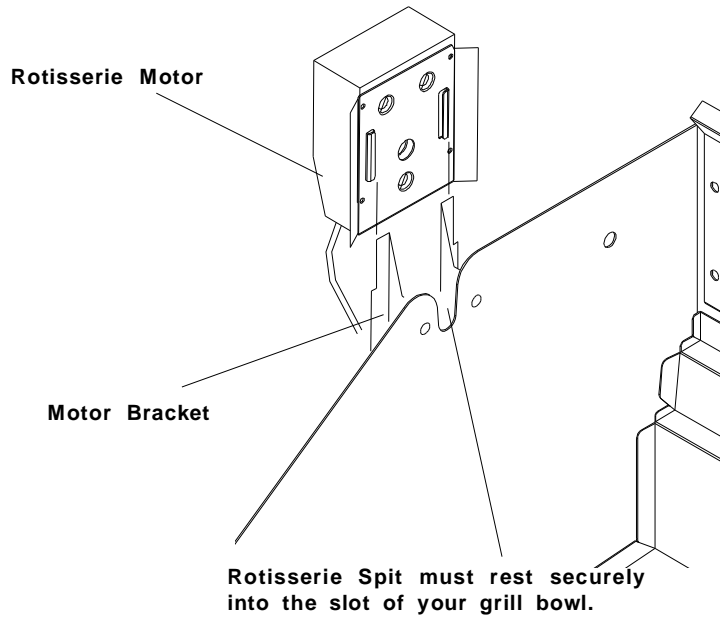


3. Slide a Holding Fork onto each end of the Rotisserie Spit. Adjust spacing between Holding Forks to accommodate your food, then tighten the Thumbscrews to keep the Holding Forks in position. Slide the Collar and Bushing onto the threaded end of the Spit. Do not tighten the Collar Thumbscrew until the Rotisserie is placed into your grill. Last, screw the Handle onto the threaded end of Rotisserie Spit as shown.

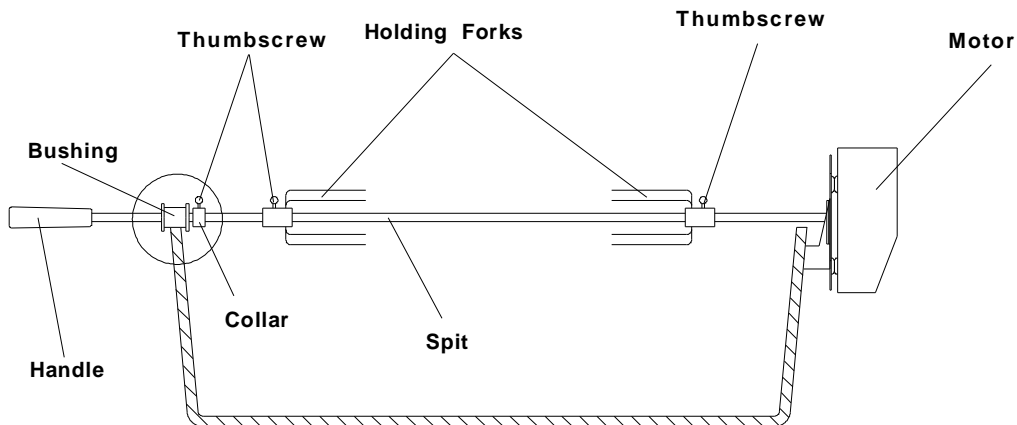


Rot.Thumbscrew 3/8"x1/2" x3

4. Install the AC (alternating current) Rotisserie Motor onto the Motor Bracket as shown below. Be sure the Motor attaches to the Bracket with the electrical cord down. This installation insures that once the Spit is inserted into the Motor it will also rest securely into the slot of your grill bowl.



5. Insert the assembled Rotisserie into the Motor as shown below. The Motor should be on the right side of your grill and the Handle on the left side. Place the Bushing into the slot opening on the left side of your grill bowl, then tighten the Collar Thumbscrew to the right of the Bushing. The Collar will stabilize the Rotisserie during the cooking process and the Bushing allows the Rotisserie Spit to turn smoothly. Plug the Rotisserie into an outlet and turn on to test.



The Bushing and Collar must always be used with this Rotisserie.

BEFORE rotisserie cooking you will need to remove the Cooking Grid(s) and possibly the Ceramic Savor Plates™ from your grill. When rotisserie cooking place a Cooking Pan under the food to be cooked. This will capture the drippings and keep your grill clean of excess grease which could cause a fire. Use caution when moving a Cooking Pan containing hot oils.

CLEANING AND MAINTENANCE

Proper care and maintenance will keep your grill in top operating condition and prolong its life. Follow these cleaning procedures on a timely basis and your grill will stay clean and operate with minimum effort.

CAUTION: Be sure your grill is OFF and cool before cleaning.

Cleaning The Cooking Grids

- Before initial use, and periodically, wash your Cooking Grids in a mild soap and warm water solution. You can use a wash cloth or vegetable brush to clean your Cooking Grids.

Cleaning The Ceramic Savor Plates™

- Periodically you should wash the Ceramic Savor Plates™ in a soap and warm water solution. Use a vegetable brush to remove stubborn burnt-on cooking residue. Dry the Ceramic Savor Plates™ thoroughly before you reinstall them into the cooking bowl.

Cleaning The Grease Tray and Receptacle

- To reduce the chance of fire, the Grease Draining Tray and Grease Receptacle (some models) should be visually inspected before each grill use. Remove any grease and wash Grease Tray and Receptacle with a mild soap and warm water solution.

Cleaning the Inside of the Grill Lid

- Grease can have a tendency to build up on the inside of the Grill Lid and could drip onto deck or patio when the lid is opened. Visually inspect the inside of the Grill Lid before each grill use. Remove any grease and wash with a mild soap and warm water solution.

Annual Cleaning of The Grill Interior

- Burning-off excess food after every cookout will keep it ready for instant use. However, at least every 3 months you must give the entire grill a thorough cleaning to minimize your risk of grease fire and keep the grill in top shape. Follow these steps:
 1. Turn all Burner Valves to the full OFF position.
 2. Turn the LP gas tank valve to the full OFF position. For Natural Gas shut off valve.
 3. Disconnect the regulator from the gas tank. Inspect the hose with regulator assembly for cracking, cuts or any other damage, and replace as necessary. Refer to the Parts List in this Operator's Manual.
 4. Remove and clean the Ceramic Savor Plates™, Cooking Grids, Cooking Rack and Grill Burners.
 5. Cover each Gas Valve Orifice with aluminum foil.
 6. Brush the inside and bottom of the grill with a fiber pad or nylon brush and wash with a mild soap and warm water solution. Rinse thoroughly and let dry.
 7. Remove aluminum foil from Orifices and check each Orifice for obstruction.
 8. Check each Spark Electrode, adjusting as needed. The space between the Spark Electrode Tip and Spark Receiver should be approximately 3/16".
 9. Replace the Burners and adjust the Gas Collector Box. The edge of the collector box should be overlapping the Burner Port.

10. Replace Ceramic Savor Plates™ and Cooking Grids.

11. Reconnect the gas source and observe the Burner flame for correct operation.

Cleaning Exterior Surfaces:

Before initial use, and periodically thereafter, we suggest you wash your grill using a mild soap and warm water solution. You can use a wash cloth or sponge for this process. Do not use a stiff wire or brass brush. These will scratch stainless steel and chip painted surfaces (varies by model) during the cleaning process.

Cleaning Exterior Stainless Steel Surfaces:

Weathering and extreme heat can cause exterior stainless steel surfaces to turn tan in color. Machine oils used in the manufacturing process of stainless steel can also cause this tanning color. After removing any protective PVC film from the Grill Lid and Control Panel use a Stainless Steel Cleaner to polish the stainless steel surfaces of your grill. Never use abrasive cleaners or scrubbers because they will scratch and damage your grill. Follow these steps for the best results.

1. Turn the LP Gas tank valve (clockwise) to the full OFF position. Disconnect the regulator and hose assembly from LP Gas tank. For Natural Gas shut off valve and disconnect the NG regulator and hose from valve. Cover exposed gas fitting with aluminum foil.
2. Remove dirt or grease using a soft cloth and polish stainless surfaces. Wipe with a soft cloth.
3. Remove aluminum foil from exposed gas fitting and allow grill to air dry before attaching the regulator and hose to your LP Gas tank, or attaching the regulator and hose to Natural Gas valve.

! **CAUTION** !

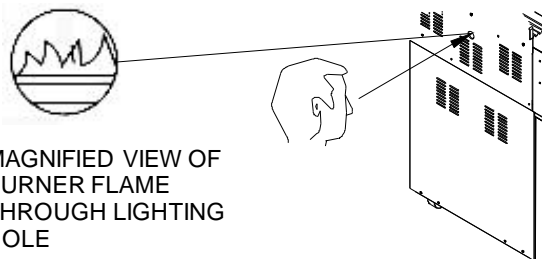
Failure to comply with these instructions may result in a hazardous situation which, if not avoided, may result in injury.

Keep grill area clear and free from combustible materials, gasoline and other flammable vapors and liquids.

Do not obstruct the flow of air for combustion and ventilation.

Keep the ventilation openings of the tank enclosure cabinet free and clear of debris.

Visually check burner flames occasionally to ensure proper flame pattern as shown below.



**MAGNIFIED VIEW OF
BURNER FLAME
THROUGH LIGHTING
HOLE**

CLEANING THE BURNER TUBES AND BURNER PORTS

To reduce the chance of **FLASHBACK FIRE** you must clean the Burner Tubes as follows at least once a month in summer and fall or whenever spiders are active in your area, and if your grill has not been used for an extended period of time.

1. Turn all Burner Valves to the full OFF position.
2. Turn the LP Gas tank valve to the full OFF position. For Natural Gas shut off NG valve.
3. Detach the LP Gas regulator assembly from your gas grill. For Natural Gas detach NG regulator from your grill.
4. Remove the Cooking Grids and Ceramic Savor Plates™ from your grill.
5. Remove the cotter pin from the rear of each Main Burner using long nose pliers. Remove screws along all sides of the Infra-red Burner using a Phillips Head Screwdriver.
6. Carefully lift each Burner up and away from the Gas Valve Orifice.
7. Check and clean burner/venturi tubes for insects and insect nests. A clogged tube can lead to a fire beneath the grill.
8. Refer to **Figure 1** and perform one of these three cleaning methods:

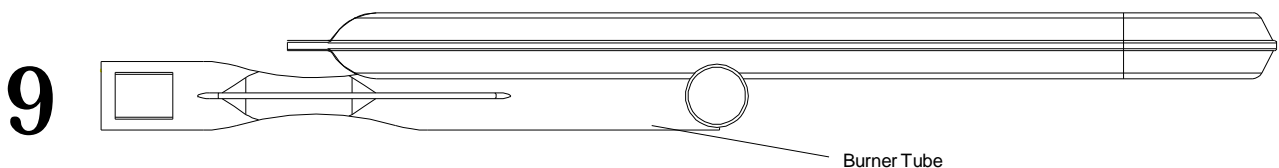
- METHOD 1:** Bend a stiff wire or wire coat hanger into a small hook as shown and run the hook through the Burner Tube and inside the Burner several times to remove debris.



- METHOD 2:** Use a bottle brush with a flexible handle and run the brush through the Burner Tube and inside the Burner several times to remove any debris.
- METHOD 3:** Use an air hose to force air through each Burner Tube. The forced air should pass debris or obstructions through the Burner and out the Ports.

Figure 1

TO CLEAN BURNER TUBE,
INSERT HOOK AS INDICATED BY THE ARROW



Regardless of which Burner cleaning procedure you use, we recommend you also complete the following steps to help prolong Burner life.

1. After each use of the main grill or infra-red cooking zone it is necessary to burn off food particles and drippings which can clog Burner ports and reduce Burner performance. OPEN the grill Lid, ignite the burner(s) and operate grill on HIGH setting for 3 to 5 minutes. You can close the Lid if only main Burners are lit, but NEVER close the Lid over a lit Infra-red Burner.
2. Use a nylon brush, blower or vacuum to remove accumulated ash from the outer surface of each Burner. Clogged tube style Burner ports can be cleaned with a stiff wire, such as an open paper clip. DO NOT use a stiff brush or sharp tool of any type on the fragile infra-red Burner.
3. Inspect each Burner for damage (cracks or holes) and if such damage is found, order and install a new Burner. After installation, check to ensure that the Gas Valve Orifices are correctly placed inside the ends of the Burner Tubes. Also check the position of your Spark Electrode.

!
WARNING
!

For safe operation ensure the Gas Valve Assembly Orifice is inside the Burner Tube before using your grill. See figure. If the Orifice is not inside the Burner Tube, lighting the Burner may cause explosion and/or fire resulting in serious bodily injury and/or property damage.

Cooking Instructions

Burn-Off

- Before cooking on your gas grill for the first time, you should "burn off" the grill to eliminate any odor or foreign matter. Ignite the main burners, lower the Lid, and operate grill on HIGH setting for 3 to 5 minutes. The Lid must be open if the infra-red burner is lit.
CAUTION: Operating your grill on the HIGH setting for longer than five minutes may damage certain parts of your grill. **Do not leave your grill unattended when in use.**

Preheating

- To preheat main burners, light your grill on HIGH, lower the Lid and follow this timetable. To preheat the infra-red burner the Lid must be open.
- ✓ For high temperature cooking, preheat grill 3 to 5 minutes.
- ✓ For low temperature cooking, preheat grill 3 minutes.
- ✓ To slow cook, preheating is not necessary.

Cooking Temperatures

- High setting:** The HIGH Control Knob setting should only be used to pre-heat your grill the first 3-5 minutes and for burning food residue off the grill for 3-5 minutes after cooking is complete. **Never** use the HIGH setting for extended cooking.
- Medium to Low Settings:** Most recipes specify medium to low settings, including all smoking, rotisserie cooking and cooking lean cuts such as fish.

An Important Note About Cooking Temperatures

- The suggested heat settings and cooking times shown in the following pages are approximate. Unlike the controlled environment inside your kitchen, variables including outside temperatures, direction and conditions of wind, as well as grill location will affect your grill's heat distribution. Because these conditions vary, and no two backyards are alike, we offer this guide as a convenience. We recommend you monitor your grill closely and rotate foods as needed to prevent overcooking and ensure the most delicious results every time.
- ✓ The infra-red cooking area is for quick searing. Once seared, reduce heat and continue cooking or move food to the primary cooking area to finish cooking.
- ✓ The middle and back primary cooking areas offer high heat for grilling.
- ✓ The Secondary Cooking Rack offers medium heat for preparing breads and firm vegetables.
- ✓ The front primary cooking area offers less heat and is ideal for preparing delicate foods and for keeping cooked foods warm.

Direct Cooking using Main Burners or Infra-red Burner

- The direct cooking method can be used with the supplied Cooking Grids and food placed directly over the lit grill Burners. **Direct Cooking requires the Grill Lid to be open.** This method is ideal for searing and grilling when you want an open-flame barbecued taste.

Indirect Cooking using Main Burners



- The indirect cooking method can also be used with the supplied Cooking Grids. To cook **indirectly**, the food should be placed on the left or right side of your grill with the main Burner lit on the opposite side. Or place your food on the Secondary Cooking Rack and light the outer main Burners. Either way, **indirect cooking must be done with the Lid down.**

Prepare Cooking Grids for Grilling

- Greasing the cooking surface will help keep foods from sticking during the cookout and reduces the amount of cleanup required. Use a brush to apply a thin layer of cooking oil or vegetable shortening onto each Cooking Grid before each cookout. We do not suggest spray type oils unless they are specified for high-temperature cooking. Be sure to coat the entire cooking surface.

Flare-Ups

- The fats and juices dripping from grilled food can cause flare-ups which impart a favorably, distinctive taste and color to food. They should be accepted up to a point. To minimize flare-ups:
 - ✓ Use a drip pan under foods that produce a lot of grease
 - ✓ Trim excess fat from meats and poultry
 - ✓ Preheat the grill properly
 - ✓ Clean grill regularly to remove food and grease build-up
 - ✓ Reposition your food often to avoid flare-ups

 **WARNING** 

- ✓ Failure to comply with these instructions could result in a fire or explosion that could cause serious bodily injury, death or property damage.
- ✓ **Never** line the bottom of the grill housing or Savor Plates™ with aluminum foil, sand or any substance that will restrict the flow of grease into the Grease Draining Tray and Receptacle.
- ✓ **Before each use of your grill:** Pull out the Grease Tray and remove all grease and food debris to prevent grease fire hazard.
- ✓ **Use your grill at least 3 feet away from any wall or surface.** Use your grill at least **3 feet away** from combustible objects that can melt or catch fire (such as vinyl or wood siding, fences and overhangs) or sources of ignition including pilot lights on water heaters and live electrical appliances.
- ✓ **Never** use your gas grill in a garage, porch, shed, breezeway or any other enclosed area.
- ✓ **Your grill will get very hot.** Always wear a flame retardant BBQ Mitt when cooking on your grill. Never lean over cooking areas while using grill. Do not touch cooking surfaces, Lid, grill housing or other parts while grill is in operation, or until the grill has cooled down after use.

Guide to Grilling using the Main Burners and Direct Cooking Method

Grilling Steak and Ribs

Turn the grill Burners on HIGH, close the Lid and preheat your grill 3 to 5 minutes. Open Lid and place the meat on the Cooking Grid directly above the lit Burners. Cook the meat on both sides until seared. Reduce the heat to MEDIUM and cook meat until done. Grilling times will vary according to meat thickness.

Grilling Hamburgers and Sausages

Turn the grill Burners on HIGH, close Lid and preheat your grill 3 to 5 minutes. Open Lid and place the meat on the Cooking Grid directly above the lit Burners. Cook the meat on both sides until seared. Reduce the heat to MEDIUM and cook the meat until done. Grilling times will vary according to meat thickness.

Grilling Poultry

Turn the grill Burners on HIGH, close Lid and preheat your grill 2 to 3 minutes. Then raise the Lid, reduce heat to MEDIUM and cook poultry directly over lit Burners until done. Poultry skin is fatty so you should expect some flare-ups when using this direct method.

To minimize flare-ups, try grilling poultry using the indirect method. Place the poultry on one side of the grill with the opposing Burners on MEDIUM heat, and lower the grill Lid. Grilling times will vary based on the size of your poultry.

Grilling Pork

Turn Burners on HIGH and preheat your grill 3 to 5 minutes with the Lid closed. Raise Lid, place pork on Cooking Grid and cook until seared. Reduce heat to MEDIUM and cook until done. Grilling times will vary according to meat thickness.

Whole Fish and Whole Fillets

Preheat your grill on HIGH for 2-3 minutes with the Lid down. Raise lid and turn Burners to MEDIUM heat. Place fish (skin down) on grill and cook over direct heat until done. Use cooking time as a guide or until fish is opaque but still moist.

Smaller Fish Fillets and Cubes

Follow the directions from above, using approximate cooking times shown at right. Place a small piece of aluminum foil on the Cooking Grids if the fish pieces are small enough to drop between the Cooking Grids.

Vegetables and Fruit

Prepare your fruit or vegetables and brush with butter or basting sauce if desired. To cook **indirectly**, the food should be placed on the left or right side of your grill with the Burner lit on the opposite side and the grill lid down. Or center your food on the Secondary Cooking Rack and light the outer grill Burners. Either way, **indirect cooking must be done with the Lid down.**

In some instances, you may want to grill vegetables and fruit **directly** over the heat, using the supplied Cooking Grids. Foods that work best with direct heat are relatively soft and require a short cooking time: mushrooms, zucchini, tomatoes and skewered fruit such as apricots, peaches, pineapple, strawberries and kiwis. Remember the **Grill Lid must remain up when cooking directly.**

Cut of Meat

T-bone steak
Sirloin steak
Beef spare ribs
Porterhouse steak
New York strip steak

Hamburgers
Sausages

Chicken breast
(cook with bone down)
Chicken wings
Drumsticks

Whole bird
(cook with breast up)

Chops
Loins
Cutlets

Whole fish
Whole fish fillets

Fish fillets
Boneless cubes

Approximate Cooking Times

Rare: 4-8 minutes
Medium: 10-14 minutes
Well done: 15-20 minutes

Rare: 4-6 minutes
Medium: 8-10 minutes
Well done: 10-15 minutes

Direct method:
approximately 15 minutes
Indirect method:
up to 30 minutes

Indirect method:
approximately 1 hour

Medium: 10-14 minutes
Well done: 15-20 minutes

10 - 12 minutes per pound or until fish is opaque

4 - 5 minutes each side or until fish is opaque

For very firm vegetables—particularly potatoes and yams, we recommend that you partially boil until almost cooked, before placing them on the grill. Cooking times using the **indirect method** with the lid down will be similar to those for your kitchen oven. However, there are many factors such as outside temperature, wind conditions and location of grill that affect your grill performance so we suggest you watch the temperature gauge and adjust the heat accordingly.

Cooking times for foods prepared with the **direct method** will be much shorter mainly because of the direct heat source and softness of the food. Timing will be comparable to normal pan frying or grilling.

Guide to Searing using the Infra-red Cooking Zone

Important notes about using the Infra-red Burner

Whether you are a seasoned chef or a newcomer to gas grilling, infra-red cooking is quite different than grilling over a traditional burner. Although the primary grill burners will also sear meat, the Infra-red Burner produces a more intense and concentrated heat that sears the meat more quickly. This quick searing produces a crisp and flavorful outer crust and locks in the meat's natural flavor and juices.

Follow the cooking guidelines provided. Then take some time to experiment with your Infra-red cooking zone. Also, read the Cooking Instructions on page A-1 so you understand the importance of pre-heating, cooking temperatures and safety warnings.

- The Lid must always be open when the Infra-red Burner is lit.
- Infra-red cooking times will be much shorter than traditional grilling so do not leave the grill unattended.

- Once lit, leave the Infra-red Burner on High and sear both sides of meat using the guidelines below.
- Once seared, adjust the Infra-red Burner to Low and continue cooking until desired doneness. You can also move the seared meat to the primary grilling area to finish cooking. This method allows you to sear and prepare larger amounts of meat.
- NEVER attempt to douse a flare-up with water which can damage the Burner. To control flare-ups:
 - Trim excess fat from meats and poultry.
 - Preheat the Burner properly.
 - Clean the Burner regularly to remove food and grease build-up. See Burner Tube cleaning instructions in this manual.
- Reposition your food often and consider moving the seared meat to the primary grilling area to finish cooking.

Searing Steak and Ribs

Turn the Infra-red Burner on HIGH and preheat for 3 to 5 minutes with the Lid open. Then place the meat on the Cooking Grid and sear each side for approximately 2 minutes. Reduce the Infra-red Burner to LOW or move meat to the primary grilling area and finish cooking. Grilling times will vary according to meat thickness.

Searing Hamburgers and Sausages

Turn the Infra-red Burner on HIGH and preheat for 3 to 5 minutes with the Lid open. Then place the meat on the Cooking Grid and sear each side for approximately 2 minutes. Reduce the Infra-red Burner to LOW or move food to the primary grilling area and finish cooking. Grilling times will vary according to meat thickness.

Hamburgers and sausages are fatty so you should expect some flare-ups when cooking these foods. To minimize flare-ups follow the instructions above. You may also consider grilling these and other fatty foods using the primary grill area and the indirect cooking method.

Cut of Meat

T-bone steak
Sirloin steak
Beef spare ribs
Porterhouse steak
New York strip steak

Approximate Total Cooking Time

Rare: 4 minutes
Medium: 6-7 minutes
Well done: 8-10 minutes

Hamburgers
Sausages

Rare: 4 minutes
Medium: 5 minutes
Well done: 6-7 minutes

Type of Food

How Cooked

Beef

Rare
Medium
Well

Lamb

Veal

Pork

Chicken

Duck

Fish

Turkey, under 16 pounds

Turkey, over 16 pounds

Guide to Rotisserie Cooking

Slow Cooking with a Rotisserie

Rotisserie cooking produces foods that are moist, flavorful and attractive. The rotisserie system is most commonly used for cooking meat or poultry and is designed to cook food slowly. You can place a cooking pan beneath the food to collect juices for basting and gravy. To flavor the contents of the cooking pan you may add herbs, onions, or other spices of your choice.

The cooking times on a rotisserie will be approximately the same as for oven cooking.

Balancing the Food

In rotisserie cooking, balancing the food is of utmost importance. The rotisserie must turn evenly or the stopping and starting action will cause the food to cook unevenly and possibly burn the heavier side.

The easiest foods to balance are those of uniform shape and texture. To test if the food is balanced correctly when secured, place the ends of the rotisserie spit loosely in the palms of your hands. If there is no tendency to roll, give the spit a quarter turn. If it is still stable, give it a final quarter turn. It should rest without turning in each of these positions. It can then be attached to your grill.

Food Preparation

When preparing poultry, truss the birds tightly so that wings and drumsticks are close to the body of the bird. The cavity of the bird may be stuffed prior to this. Pull the neck skin down and, using a small skewer, fix it to the back of the bird. Push the rotisserie spit through lengthwise, catching the bird in the fork of the wishbone. Center the bird and tighten with the holding forks. Test the balance as described before.

A rolled piece of meat requires the rotisserie skewer to be inserted through the center of the length of meat, then secured and balanced.

For meats that contain bones, it is best to secure the rotisserie skewer diagonally through the meaty sections. If protruding bones or wings brown too quickly, cover with pieces of foil.

Guide to Smoking

Preparing to Smoke

Smoking gives food a distinctive, delicious flavor. You will find a variety of wood chips or pellets available for use in smoking grilled foods. Pre-soaking of wood chips may be required so read and follow the manufacturers instructions for preparing smoking chips prior to use.

Note: It is our experience that many smoking chip and pellet products do not actually produce a smoke but instead infuses the food with flavor. Please read product labels carefully and if in doubt, ask your retailer for details.

Using A Smoker Box

There are many optional smoker boxes available for purchase. Follow these guidelines and always refer to the label of your smoking chips or pellets for specific directions.

Raise your Grill Lid and light the grill. Lower the Grill Lid allowing your grill to reach the desired cooking temperature for the food you are grilling. Fill your smoker box with your prepared smoking chips or pellets. Dried herbs and spices may also be added to produce different flavors. Wear a flame retardant BBQ Mitt and place your smoker box on a Cooking Grid or Savor Plate™ directly above a lit grill Burner. The heated smoking chips or pellets will flavor your foods.

Tips for Smoking

You can reduce the strength of the smoke flavor by only smoking for half or three quarters of the cooking time. The heat required for smoking is normally LOW to MEDIUM.

Foods naturally high in oils lend themselves well to smoking, while drier foods benefit from a marinade.

- **Tuna steaks**, marinated in Asian flavors of sesame oil, soy sauce and sherry.
- **Pork filets**, rubbed with ginger, orange rind and brushed with maple syrup.
- **Mussels**, brushed with lemon rind and chili oil.
- **Lamb cutlets**, marinated in virgin olive oil, lemon, oregano and black pepper. The same marinade can be used for a whole leg or rack of lamb.
- **Chicken**, boneless chicken pieces—especially sliced breasts.
- **Fish**, sliced filets of firm fish, assorted seafood such as prawns, scallops and calamari.
- **Pork**, sliced filets, diced or minced pork, sliced leg steak, sliced chops.
- **Beef**, sliced fillet, rib-eye, round, rump, sirloin.
- **Lamb**, sliced fillet, round, loin.

Guide to Using the Cooking Rack

Vegetables are generally easy to cook on the grill. The Cooking Rack makes it convenient because you can still use the main cooking area while the vegetables are suspended above the grids.

Pre-cook hard vegetables by briefly boiling or microwaving them before cooking on the grill. Wrap vegetables in a double thickness of foil to protect them while cooking on the grill. Then, remove the foil if desired, 10-15 minutes before the end of cooking, brush vegetables with butter or oil and finish cooking.

The Cooking Rack can be used for purposes other than just the obvious. Consider using the rack for warming French bread, garlic bread, croissants or even bagels.

A small whole fish wrapped in foil also cooks well on the Cooking Rack. Parcels of seafood such as scallops, prawns and sliced fish filets prepared in a sauce and portioned into small foil wraps cook well this way, too.

Question:

Can I convert my grill from one fuel type to another in other words from LPG to NG or vice versa?

Answer:

No, your gas grill is manufactured to exact specifications and is certified for LPG (Liquid Propane Gas) or NG (Natural Gas) use only. For your safety, conversion kits are not available, nor will we sell or otherwise provide parts or information to be used to convert your grill. Any attempt to convert your grill is dangerous and will void your warranty.

Question:

Are the serial and model numbers of my grill listed somewhere for reference?

Answer:

The serial and model numbers are listed on a silver CSA label placed on the grill. Depending on the grill model the silver CSA label will be located on the left or right side bowl panel underneath the side shelf, underneath the right side of the control panel, outside left or right of control panel or on the back of the grill cabinet.

Question:

My grill will not light properly. Why?

Answer:

Always light the Main Burner farthest from the fuel source first. This will draw gas across the manifold helping prevent air pockets which obstruct gas-flow and prevent proper grill lighting. Also try this procedure:

1. Turn gas off at source and turn Control Knobs OFF. Wait at least 5 minutes for gas to clear, then retry.
2. If your grill still fails to light, turn the Burner Control Knob(s) and gas source OFF and conduct a leak test of ALL gas connections and gas sources as explained in the Use and Care section of this manual.
3. If no leaks are detected, wait 5 minutes for any gas to clear and repeat the lighting procedure.

Question:

If my ignitor or battey is not working how can I light my grill manually? And - Why would I need the silver lighting stick that hangs from the side of my grill?

Answer:

If your ignition fails to work or your battery needs replacing, you can light your grill through the Lighting Hole on the side of the grill bowl using the Manual Lighting Stick that hangs from the side of your grill. The Lighting Stick is designed to hold a paper match and allows you to safely insert a match through the Lighting Hole without getting close to the Burner. Never remove the Cooking Grids or Ceramic Savor Plates™ and attempt to light the grill from above. To light your gas grill manually, insert a paper match into the Manual Lighting Stick and follow steps 1 through 6 of the Basic Lighting Procedures. Then, light the match and place it through the Lighting Hole on the right side of the grill (location of hole varies by grill model). Turn the Smoker Burner Control Knob to the High setting to release gas. The Burner should light immediately.

Question:

Sometimes I hear a humming sound coming from my regulator. What causes this? And - My grill has a low flame and sometimes will not light. Why?

Answer:

The humming sound is gas flowing through the regulator. A low volume of sound is normal and will not interfere with the operation of your grill. Loud or excessive regulator humming and/or low flow and intermittent lighting may be caused by the regulator's excess gas flow device. Opening the tank valve all the way or too quickly is what triggers the regulator's safety device to restrict gas flow, preventing excess gas flow to your grill. Lighting the main Burner farthest from the fuel source every time will help eliminate air pockets in the manifold. Note: This procedure should be done every time a new LP Gas tank is connected to your grill.

- Turn all Control Knobs to the OFF position.
- Turn off the LP Gas tank at the tank valve. For Natural Gas shut off NG valve.
- Disconnect regulator from LP Gas tank. For Natural Gas disconnect regulator from 12 ft. Natural Gas Hose.
- Let unit stand for 5 minutes.
- Reconnect regulator to the LP Gas tank. For Natural Gas reconnect regulator to 12 ft. Natural Gas Hose.
- Open grill Lid (or Side Burner Lid if you are lighting the Side Burner).
- Turn the tank valve slowly ¼ of one turn. For Natural Gas open Shut Off valve.
- Light main Burner farthest from fuel source.
- Turn the tank valve slowly one more ¼ of one turn for ½ of one complete turn.
- Continue to light Burners moving towards the fuel source.
- Do not turn tank valve more than ½ of one turn on LPG models.

Question:

Where do I use my grill for safer operation and better performance?

Answer:

- Strong winds and low temperatures can affect the heating and performance of your gas grill so factor in these elements when positioning your grill outdoors for cooking.
- Use your grill at least 3 feet away from any wall or surface.
- Use your grill at least **3 feet away** from combustible objects that can melt or catch fire (such as vinyl or wood siding, fences and overhangs) or sources of ignition including pilot lights on water heaters and live electrical appliances.
- Never** use your gas grill in a garage, porch, shed, breezeway or any other enclosed area.
- Never** obstruct the flow of ventilation air around your gas grill housing.

Question:

The Regulator and Hose supplied with my gas grill does not fit the older LP Gas tank I've used for years. Why not?

Answer:

The U.S. Government regulates gas appliances and LP Gas tanks. When regulations are changed the LP Gas tank fittings are altered to insure compliance. If your LP Gas tank does not fit the Regulator and Hose supplied with your new grill, the tank is outdated and must be replaced. Note: Effective April 1, 2002 all LP Gas tanks sold must include an "OPD" Overfill Prevention Device. The OPD tanks are identified by their triangular-shaped valve wheel. This internal device prevents the LP Gas tank from being overfilled. Tanks without an OPD valve can not be refilled.

Question:

What type of pipe and fittings will I need to connect a natural gas grill at my home?

Answer:

Even if your home is plumbed with a natural gas connection outdoors, there is an additional fitting and piping required to hook up a natural gas grill. Refer to the Natural Gas section of this manual for a diagram of recommended Natural Gas hook-up. Because each home is unique the type and length of fittings will vary. This is a technical process that involves patience and time. The details below will offer guidance but if you feel uncomfortable with this procedure you should seek the assistance of a plumber or gas supply professional.

Gas Line Piping: If the length of line required does not exceed 50 feet, use a 5/8" O.D. tube. One size larger should be used for lengths greater than 50 feet. Gas piping may be copper tubing, type K or L; polyethylene plastic tube, with a minimum wall thickness of .062 inch; or standard weight (schedule 40) steel or wrought iron pipe. Copper tubing must be tin-lined if the gas contains more than 0.3 grams of hydrogen sulfide per 100 cubic feet of gas. Plastic tubing is suitable only for outdoor, underground use. Gas piping in contact with earth, or any other material which may corrode the piping, must be protected against corrosion in an approved manner. Underground piping must have a minimum of 18" cover.

Shut Off Valve: It is **highly recommended** that a Shut Off Valve be installed at the gas supply source outdoors. Install at a point after the gas pipe exits the outside wall and before the Quick Disconnect Hose, or install it at the point before the gas line piping enters the ground.

Question:

Is it safe to clean my porcelain coated cooking grids in the dishwasher?

Answer:

Clean your cooking grids by hand if there are any chips or cracks in the porcelain finish and dry them thoroughly. If no chips or cracks are present it should be safe to use the dishwasher. Remember to dry the cooking grids thoroughly before placing back onto your grill to minimize rusting.

Question:

What causes grill parts to rust and what affect does it have on my grill?

Answer:

Rusting is a natural oxidation process and may appear on cast-iron and steel parts. Rust will not affect the short term performance of your grill.

To slow the rusting process on steel Cooking Grids (select models) we recommend greasing the Cooking Grids before and after each cookout. Use a brush to apply a thin layer of cooking oil or vegetable shortening onto each Cooking Grid. We do not suggest spray type oils unless they are specified for high-temperature cooking. Be sure to coat the entire cooking surface including edges and any areas with chipped porcelain.

Question:

Which is a better cooking surface to grill on; porcelain coated steel / cast-iron cooking grids or stainless steel grids?

Answer:

They all have their advantages. For traditional grilling and searing meats, cast-iron or steel grids offer better heat conductivity. To protect against the natural rusting process, steel or cast-iron cooking grids offer a porcelain finish which requires routine maintenance to keep the grids well seasoned.

Stainless steel is popular with those who prefer less maintenance.

A new innovative solution is available on select models called stainless Therma-Core™. This Cooking Grid combines a heat conducting steel core with an easy-to-clean stainless outer shell.

Question:

Some stainless steel grills specify 304 grade construction while others do not mention a grade at all? What is the difference?

Answer:

All stainless grades are not created equal. The 304 grade, also called 18-8 stainless steel, is prized for its excellent resistance to rust and corrosion and good performance at high temperatures, which makes it ideal for grill construction.

304 grade stainless steel is by far the most popular stainless steel and contains 18-20% chromium and 8-10% nickel, making it non-magnetic.

Some stainless steel grills are constructed of Type 430 stainless steel which contains 16-18% chromium but generally less than 1% nickel. It is magnetic with less corrosion and rust resistance and designed for limited temperature use. Beware of stainless steel grills that offer no claim of grade because what looks shiny on the sales floor could become a problem on your patio.

How can you tell if a product is made of 304 grade stainless? Take the simple magnet test. If a magnet sticks to the stainless steel it is 430 grade. If a magnet does not stick you can trust its 304 grade quality.

LIMITED WARRANTY

Grand Hall Enterprise Co., Ltd. warrants to the original owner that this Member's Mark product is free from defects in workmanship and materials under conditions of normal residential use. Grand Hall Enterprise Co., Ltd. will replace warranty parts according to the list on page 2 of this manual. There will be a charge for shipping and handling.

The extent of any liability of Grand Hall Enterprise Co., Ltd. under this limited warranty is limited to replacement. The limited warranty period is not extended by such replacement. Grand Hall Enterprise Co., Ltd. is not liable for any labor or other costs related to the removal and/or installation of any Warranty Part, installation of replacement parts, product assembly, and/or delivery costs.

Grand Hall Enterprise Co., Ltd. requires reasonable proof of your date of purchase. Therefore, you should retain your sales slip or invoice and register your new product immediately. Register online at www.grandhall.com or use the Product Registration Card included with this product.

This limited warranty does not apply to any damage due to transportation, installation, purchaser servicing, accident, abuse, fire, alteration of the product in any way, act of God, or failure to read and/or abide by any product warnings, or any parts or labor used to replace any part or parts covered under this limited warranty.

This limited Warranty is in lieu of any other express or implied Warranty that may apply to this product. This disclaimer of implied warranties may not apply to you because some states do not allow disclaimer of implied Warranties.

If you live in a state that does not allow disclaimer of implied Warranties, your state may allow a partial limitation of implied Warranties to limit the duration of such Warranties to the duration of an express Warranty. In such states the duration of the implied Warranties is hereby expressly limited to the duration of this Limited Warranty.

In no event, whether as a result of breach of Warranty or Contract, negligence, strict liability, or misrepresentation, will Grand Hall Enterprise Co., Ltd. be liable for any incidental and/or consequential damages. Grand Hall Enterprise Co., Ltd.'s liability is limited to the purchase price of the covered product. This exclusion of liability is not allowed in some states. Therefore, this exclusion may not apply to you.

Grand Hall Enterprise Co., Ltd. does not assume, or authorize any other person to assume for Grand Hall Enterprise Co., Ltd. any liability from the sale of this product beyond that expressly set forth in this Limited Warranty.

This Limited Warranty gives you specific rights. The laws of your state may give you additional rights.

For Warranty Service, please call our Grill Information Center at 1-800-770-9769, Monday through Friday, 8 AM TO 4:30 PM CST.

Grand Hall Enterprise Co., Ltd.
9th Fl., No.298, Rueiguang Rd., Neihu,
Taipei, Taiwan (114)