

This Owner's Manual is provided and hosted by [Appliance Factory Parts](http://www.appliancefactoryparts.com).



Grand Hall BRG08A010 Owner's Manual

[Shop genuine replacement parts for Grand Hall
BRG08A010](#)

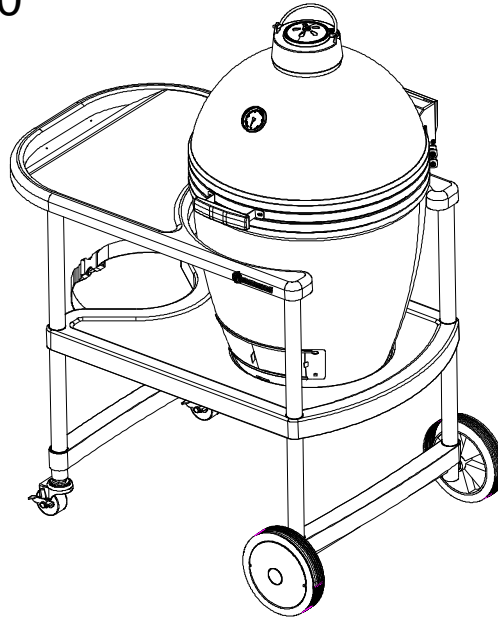


[Find Your Grand Hall Grill Parts - Select From 203 Models](#)

----- Manual continues below -----



Charcoal Grill
MODEL BRG08A010



**FREE HELP
FROM THE GRILL EXPERTS**

Grand Hall is the expert on this product and trained to help you with:

- Assembly Questions
- Cooker Operation
- Replacement of Damaged or Missing parts

visit www.grandhall.com or call:

1-877-934-7455

Monday - Friday 8:00am-4:30pm CST

IMPORTANT:

- **NOTE TO ASSEMBLER/INSTALLER:**
Leave this manual with the consumer.
- **NOTE TO CONSUMER:**
Keep this manual for future reference.
- **RECORD YOUR SERIAL#**



WARNING



- Whether this cooker was assembled by you or someone else, you must read this entire manual before using your cooker to ensure the cooker is properly assembled and installed.
- Obtain assistance from another person when handling the large or heavy pieces.
- Some parts may contain sharp edges, wear protective work gloves if necessary.
- Combustion byproducts produced when using this product contain chemicals known to the State of California to cause cancer, birth defects, or other reproductive harm.
- **THIS COOKER IS DESIGNED FOR OUTDOOR USE ONLY**
- **CARBON MONOXIDE HAZARD** - Burning charcoal inside gives off carbon monoxide without odor that can kill you. NEVER burn charcoal inside homes, vehicles or tents.
- This product contains chemicals known to the State of California to cause birth defects or other reproductive harm.

Table of Contents

Primary Safety Warnings	1-3
Part Diagrams and Lists	4-6
Assembly Instructions.....	7-11
Use & Care Instructions:	
• Starting a Fire.....	12
• Cleaning and Maintenance.....	13
Warranty Terms.....	Back Cover



WARNING



- This instruction manual contains important information necessary for the proper assembly and safe use of the cooker.
- Read and follow all warnings and instructions before assembling and using the cooker.
- Follow all warnings and instructions when using the cooker.
- Keep this manual for future reference.



WARNING



Do not store or use gasoline or other flammable liquids or vapors in the vicinity of this or any other appliances.



WARNING



Use your Globe Café at least 3 feet away from any wall or surface. Use your Globe Café at least 3 feet away from combustible objects that can melt or catch fire (such as vinyl or wood siding, fences and overhangs) or sources of ignition including pilot lights on water heaters and live electrical appliances.



DANGER



- Never allow children to operate your Globe Café. Do not allow children or pets to play near your Globe Café.
- In the event of rain, move Globe Café to a covered area.
- Use your Globe Café on a level, stable surface in an area clear of combustible materials.
- Most surfaces on this Globe Café are hot when in use. Always wear protective clothing and flame retardant BBQ mitts to prevent injury.
- Do not leave Globe Café unattended when in use.
- Do not move the cooker when in use.
- Allow the Globe Café to cool before moving or storing.
- Do not use your Globe Café as a heater.
- Do not use water to extinguish the coals.
- This Globe Café is not intended to be installed in or on recreational vehicles and/or boats.
- Do not use charcoal starter fluid, gasoline, kerosene, alcohol, or lighter fluid in your Globe Café. Refer to the lighting instructions for proper fire starters.



WARNING



- If you need to move the Globe Café, get the help of an assistant. Lift the Globe Café by supporting the base. Never lift the Globe Café from the lid or lid attachments.
- Do not push the Globe Café onto the Cart or Bowl Supports. This may cause the Globe Café to fall over. Always lift or pull the Globe Café towards you when moving it.
- Never place your hands or fingers inside the hinge, hinge parts, or the inside of the lid that isn't locked into the open position.
- Never raise the lid fully after cooking for an extended period of time. Always raise the lid a couple of inches to release heat and air first. Fully opening the lid can cause a backdraft of heated air and flame to rush out and burn you.

Pre-Assembly Instructions For Your Safety

PRE-ASSEMBLY

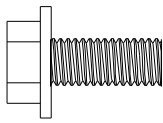
Read and perform the following pre-assembly instructions:

- Tools Required for Assembly:**
 - protective work gloves
 - protective eyewear
 - Phillips Head screwdriver
- You will need assistance from another person to handle the Globe Café and other large, heavy parts.
- Open Lid of shipping carton and remove top sheet of cardboard and packing materials. Lay cardboard sheet on floor and use as a work surface to protect floor and parts from scratches.
- You may slice the carton front corners with a utility knife to lay open the carton front panel. This allows you to raise the Lid and remove the components packed inside, making it easier to lift. Do not cut into inner packing material, or you may risk damaging the glazing of your cooker.
- Use the Hardware and Part Diagrams to ensure all items are included and free of damage.
- Powder remnants and thin cracks may be present. There may be some variation in color on the exterior. These are normal characteristics of the ceramic material.
- Do not assemble or operate the cooker if it appears damaged. If there are damaged or missing parts when you unpack the shipping box or you have questions during the assembly process call: 1-877-934-7455 Monday-Friday 8:00am-4:30pm CST. (Note: All damages to the ceramic body must be noted on your receipt at the time of purchase. See warranty for details.)

Hardware Pack Parts List for Model BRG08A010

PART #	PART DESCRIPTION	QTY	PURPOSE OF PART
P06006070A	Hardware Pack	1	For use in assembly for Model BRG08A010
S162G04082	Hex Head Screw 1/4"x1/2"	4	Install Cart Legs to Cart Bottom Shelf
S162G04082	Hex Head Screw 1/4"x1/2"	4	Install Cross Braces
S162G04082	Hex Head Screw 1/4"x1/2"	4	Install Cart Legs to Table Top
P05515024L	Wrench	1	Tighten Casters
S411M10221	M10.5 Plain Washer	4	Install 8" Wheels
S004200131	Fasten Loop	2	

Hardware Pack Diagram for Model BRG08A010



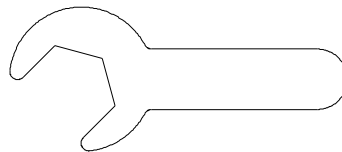
Hex Head Screw
1/4"x1/2"
Qty. 12
Part # S162G04082



M10.5 Plain Washer
Qty. 4
Part # S411M10221

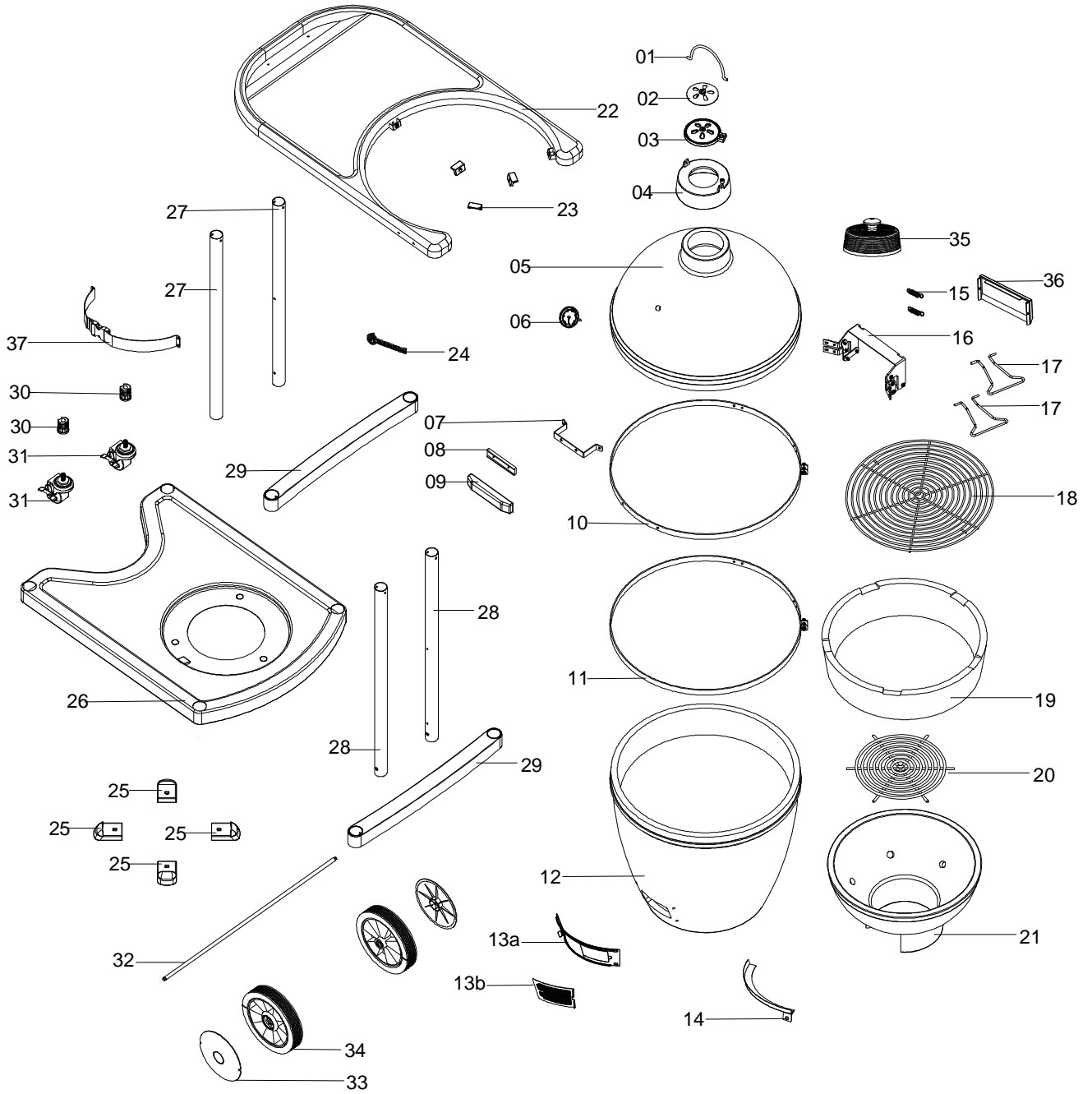


Fasten Loop
Qty. 2
Part # S004200131



Wrench
Qty. 1
Part # P05515024L

Parts Diagram for Model BRG08A010



Parts List for Model BRG08A010

KEY	PART DESCRIPTION	PART #	QTY
1	Vent Lid Handle	P00210020C	1
2	Vent Lid Air Shutter	P069200014	1
3	Vent Lid Air Shutter Bracket	P069210016	1
4	Vent Lid	P069210026	1
5	Lid Assembly	P0015002R2	1
6	Temperature Gauge	P00601391A	1
7	Lid Handle Bracket	P033280724	1
8	Heat Insulating Spacer	P00209001A	1
9	Lid Handle	P00209002A	1
10	Lid Hinge Bracket, Upper	P033040604	1
11	Lid Hinge Bracket, Lower	P033040614	1
12	Bowl	P0075901T6	1
13a	Bowl Air Door Assembly	P069200064	1
13b	Ash Protector	P069090084	1
14	Grease Shield	P069010294	1
15	Lid Hinge Spring	P05504114N	2
16	Lid Hinge Assembly	Y0550012	1
17	Cooking Grid Handle	P055151255	2
18	Cooking Grid	P01601027H	1
19	Charcoal Ring	P0075902TD	1
20	Charcoal Grate	P01701001K	1
21	Charcoal Box	P0075903TD	1
22	Table Top	P01002074D	1
23	Protective Pad	P05518104I	3
24	Name Plate	P00407030A	1
25	Bowl Support for Fix Place Installation	P05388001D	4
26	Cart Bottom Shelf	P01004075D	1
27	Cart Leg, Left	P009080194	2
28	Cart Leg, Right	P009090414	2
29	Cart Cross Brace	P03305046D	2
30	Caster Seat	P06801018F	2
31	Caster, 2.5" with Brake	P05118001E	2
32	Wheel Axle	P05103015D	1
33	Wheel Hub Cap	P05113011C	2
34	Wheel, 8 in.	P05103011A	2
35	Lid/Non Vented	P0015003R2	1
36	Lid Hinge Protector	P055540014	1
37	Tank Fastening Strap	P05314002V	1
	Cover	P07007059A	1
	Hardware Pack	P06006070A	1
	Operator's Manual	P80151099W	1

For the repair or replacement parts you need:

Call 1-877-934-7455 Monday - Friday 8:00am-4:30pm CST

To obtain the correct replacement parts for your cooker, please refer to the part numbers in this parts list. The following information is required to ensure you receive the correct parts:

1. Model and Serial Number (see label on cooker)
2. Part Number
3. Part Description
4. Quantity of parts needed

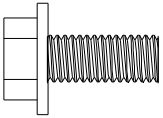
Important: Use only authorized parts. The use of any part that is not factory authorized can be dangerous and will also void your product warranty. Keep this Operator's Manual for convenient referral and for part replacement.

Assembly Instructions

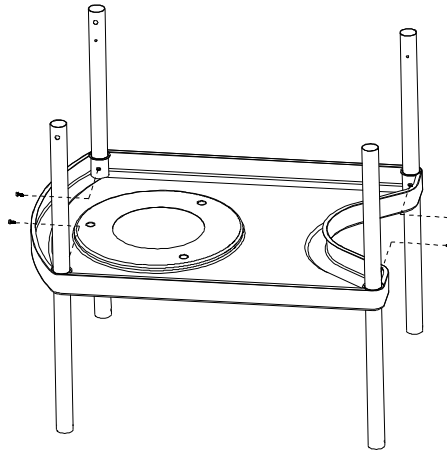
CAUTION: While it is possible for one person to assemble this cooker, obtain assistance from another person when handling some of the larger, heavier pieces.

1 Insert 4 Cart Legs into Cart Bottom Shelf

- Insert 4 Cart Legs into the Cart Bottom Shelf as shown. (NOTE: The Right Cart Legs go into the side of the cart with the rounded edge. The Left Cart Legs go into the side of the cart with the indentation.)
- Align the 4 holes in the middle of the Cart Legs with the holes in the Cart Bottom Shelf. Insert 4 Hex Head Screws 1/4"x1/2" and tighten securely.

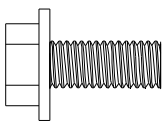


Hex Head Screw
1/4"x1/2"
Qty. 4
Part # S162G04082



2 Install Cart Cross Brace and Wheels onto Right Cart Legs

- Position the Cart Cross Brace so that the slightly rounded, arc surface is facing towards the outside as shown below. Install the Cart Cross Brace over the 2 Right Cart Legs. Align the 2 holes on the Cart Cross Brace with the 2 holes on the Right Cart Legs. Insert 2 Hex Head Screws 1/4"x1/2" and tighten securely.
- Thread the Wheel Axle through the top holes on the Right Cart Legs.
- Place the wheel parts over the left Wheel Axle in the following order: 1 Washer, 1 Wheel, and 1 Washer. Place the Fasten Loop over the groove at the end of the Wheel Axle. Snap the Wheel Hub Cap over the Wheel.
- Repeat the previous step for installing the right Wheel.



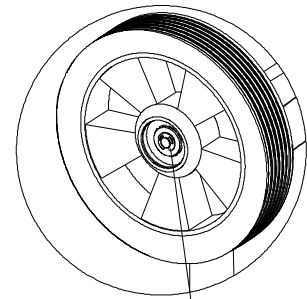
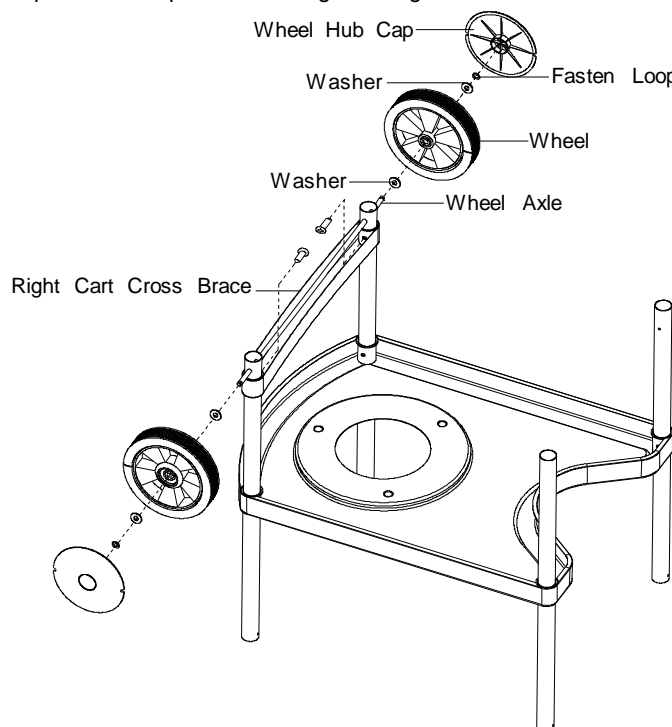
Hex Head Screw
1/4"x1/2"
Qty. 2
Part # S162G04082



M10.5 Plain Washer
Qty. 4
Part # S411M10221



Fasten Loop
Qty. 2
Part # S004200131

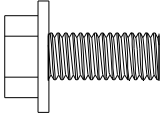


The Fasten Loop must be placed over the groove at the end of the Wheel Axle.

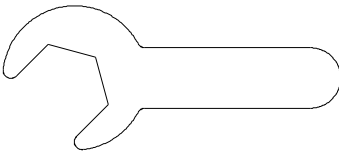
3

Install Cart Cross Brace and Casters onto Left Cart Legs

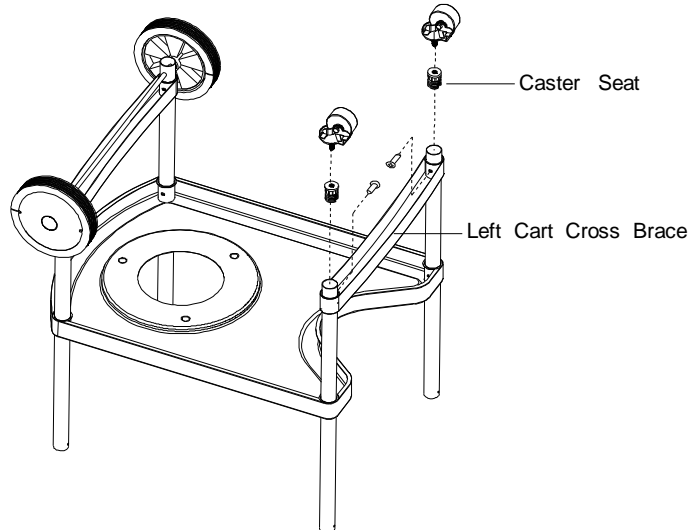
- Position the Cart Cross Brace so that the slightly rounded, arc surface is facing towards the outside as shown below. Install the Cart Cross Brace over the 2 Left Cart Legs. Align the 2 holes on the Cart Cross Brace with the 2 holes on the Right Cart Legs. Insert 2 Hex Head Screws 1/4"x1/2" and tighten securely.
- Insert 2 Caster Seats into the Left Cart Legs as shown. Next, install two 2.5" Casters into the Caster Seats. Secure them in place by using the provided Wrench.



Hex Head Screw
1/4"x1/2"
Qty. 2
Part # S162G04082



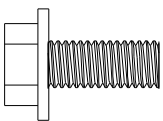
Wrench
Qty. 1
Part # P05515024L



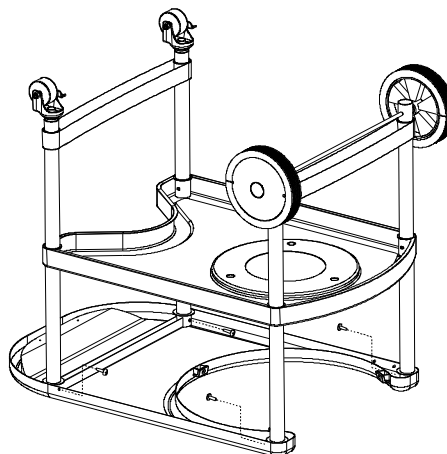
4

Install Table Top

- Place the Table Top onto the reserved cardboard as shown. With the help of your assistant, raise the assembled cart and place the Cart Legs into the 4 holes in the Table Top as shown.
- Insert 4 Hex Head Screws 1/4"x1/2" into the aligned holes of the Cart Legs and Table Top and tighten securely.
- With your assistant, stand the Cart up onto its Casters.



Hex Head Screw
1/4"x1/2"
Qty. 4
Part # S162G04082

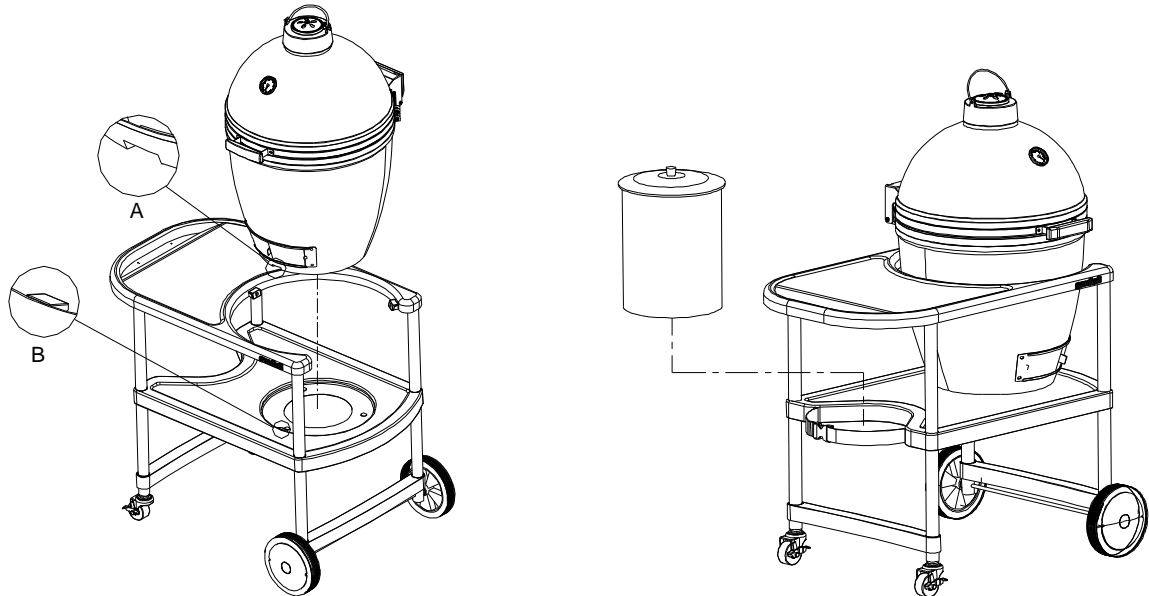


5

Place Globe Café onto the Cart.

Secure the Charcoal Pail (not included in this unit) to the Cart

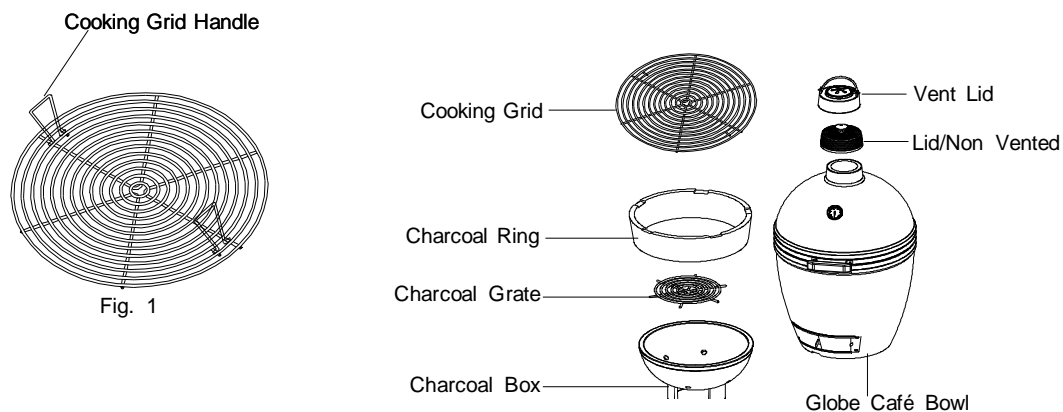
- Remove all components from the inside of the Globe Café.
- Lock the brakes on the 2.5" Casters.
- With the help of your assistant, lift and support the Globe Café from the base and place it into the cut out on the Cart as shown. Make sure to align the cutout (Part A in diagram below) with the fitting (Part B in diagram) on Cart Bottom Shelf.
- Release the fastening strap, then set the Charcoal Pail securely on the Cart and retighten the Fastening Strap.



6

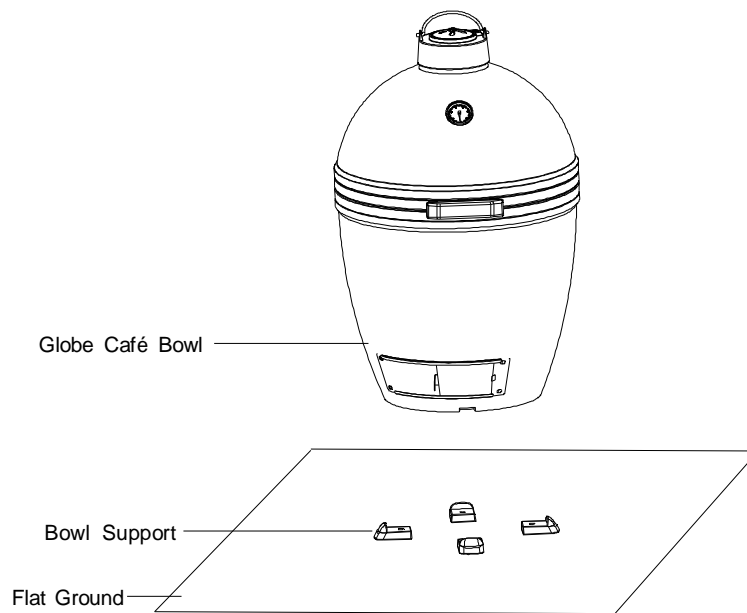
Install Cooking Components



- Open the lid and place the cooking components inside in the following sequence: Charcoal Box, Charcoal Grate, Charcoal Ring, and Cooking Grid. Place the Charcoal Box so that one of the openings is aligned with the Air Door. Place the Charcoal Ring so that grooves face up. (For your safety, we recommend using the Cooking Grid Handles when removing or installing the Cooking Grids. See Fig. 1. Always wait for the Globe Café to cool after cooking before removing the Grids.)
- Close the Lid and place the Vent Lid or Lid/Non Vented over the opening on the top of the lid. (The Vent Lid has a sliding top that allows you control the amount of air flowing to your cooker. This feature allows you to regulate your cooker's temperature. The Lid/Non Vented is enclosed, and restricts the flow of air to your Globe Café's lid.)



Option: Using the Globe Café without a Cart

- If you are using the Globe Café without a cart, make sure to select a clear area with a flat, even ground. If you want to place the Globe Café onto a wooden deck, use a flat stone slab to prevent damage to the wood.
- Remove all cooking components from the Globe Café.
- Place the 4 Bowl Supports on the ground as shown. Bowl Supports are not needed if you plan on placing the Globe Café on top of a flat stone slab.
- With the help of your assistant, lift the Globe Café by the base and gently place it onto the Bowl Supports as shown.
- Place the cooking components into the Globe Café as shown in step 6.



	WARNING	
Carbon Monoxide Hazard		
<p>Burning charcoal inside will kill you. It gives off carbon monoxide, which is odorless and colorless. Never burn charcoal inside homes, tents and vehicles.</p>		

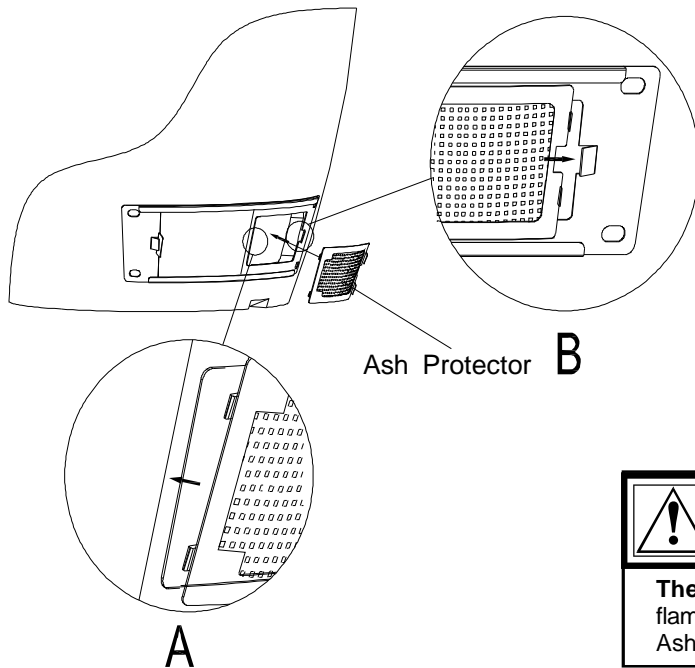
Final Cooker Assembly Step
<p>When you have finished assembling your Globe Café, be sure that check the Hinge Brackets and Lid Hinge Assembly are tight and in place. Check to make sure all hardware is secure for safe operation of your cooker.</p>

Assembly and Use Instructions for Bowl Air Door

Note: The Ash Protector prevents ashes from flying out of the open Air Door. Refer to the directions below for using the Air Door and removing ash from the cooker.

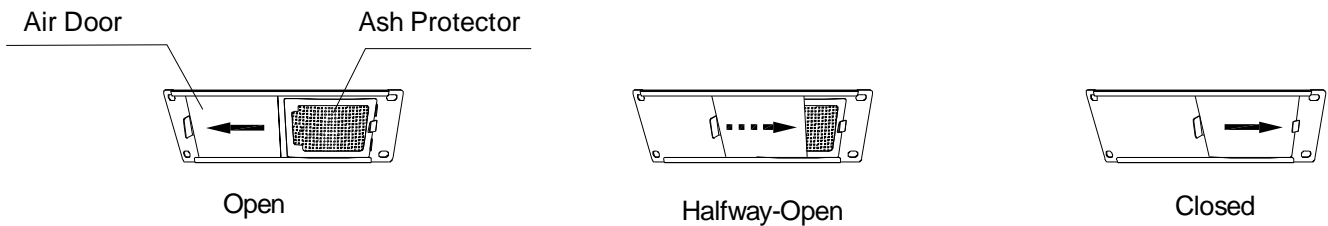
Removing and Installing the Ash Protector for Cleaning

1. Open the Air Door.
2. Push the tab on the right side of the Ash Protector (see "B") towards the left (see "A"). Take the Ash Protector Out.
3. Reinstall the Ash Protector by placing the two tabs on the left side of the Ash Protector into the fitting on the left side of the Air Door opening. Push the other end of the Ash Protector into the right end of the Air Door fitting.



Adjusting the Air Door:

- You can regulate the temperature inside your cooker by adjusting the Air Door. To increase the temperature, open the Air Door all the way. To decrease the temperature, close the Air Door halfway. Consult your temperature gauge and make adjustments as necessary to get your desired reading. When you're done cooking, close the Air Door completely to cut off air flow into the cooker.



USE AND CARE INSTRUCTIONS

STARTING A FIRE

We recommend that you use lump charcoal and fire starters in your cooker for the best results. Never use lighter fluid. The chemicals in charcoal briquettes and lighter fluid may leave a lingering odor in your cooker. Follow these directions for building a controllable flame inside your cooker.

- Remove the Vent/Lid or Lid/Non Vented (whichever one you have equipped). Open the cooker Lid (making sure it is locked in the open position). Remove the Cooking Grids using the Cooking Grid Handles.
- Place one or two fire starters on the Charcoal Grate in the Charcoal Box and cover them with one or two inches of lump charcoal.
- Light the fire starters. Use the Cooking Grid Handles to reinstall the Cooking Grids.
- Slide the Bowl Air Door open all the way.
- Do not place food into Globe Café until fire starters have completely burned away and charcoal is glowing.
- You can close the Lid after several of the coals are lit and open the Vent/Lid all the way.
- You can regulate the temperature by adjusting the Bowl Air Door and the Vent/Lid. To increase the temperature, adjust the Bowl Air Door and Vent/Lid so that the openings are wider. To decrease the temperature, adjust the Bowl Air Door and Vent/Lid so that the openings are smaller. Consult your temperature gauge and make adjustments as necessary to get your desired reading.
- When you have finished cooking, close the Lid, Bowl Air Door, and Vent/Lid (if equipped). NEVER use water to extinguish charcoal.

Cooking on the Globe Café

The Globe Café is an extremely versatile cooler. You can roast, smoke, bake, or grill in it. We recommend that you keep the lid closed during cooking to retain heat in the unit.

- For Baking: Preheat the Globe Café and adjust the dampers until the right temperature is reached. Use a cooking pan/baking sheet on top of the grids. Check on your food occasionally for doneness.
- For Grilling: Place the food directly onto the cooking grids. This is called the "direct" method of cooking.
- For Roasting: Your Globe Café is great at roasting. Whether you choose to roast turkeys or rib roasts, they will all turn out moist and tender. Place a roasting pan and rack into the Globe Café to roast your food. This is called the "indirect" method of cooking.
- Always use a flame retardant BBQ mitt when cooking.
- Do not put food in excess of 15 pounds in your cooker.

USE AND CARE INSTRUCTIONS

CLEANING AND MAINTENANCE

Proper care and maintenance will keep your cooker in top operating condition and prolong its life. Follow these cleaning procedures on a timely basis and your cooker will stay clean and operate with minimum effort.

CAUTION: Make sure coals are completely extinguished and the cooker is cool before cleaning.

Cleaning Cooking Grids

- Before initial use, and periodically thereafter, wash your Cooking Grids in a mild soap and warm water solution. You can use a wash cloth or vegetable brush to clean your cooking grids. After they've been cleaned, coat both side of the Cooking Grids with a light coat of vegetable oil and place them back in the cooker.
- If charred food or ash accumulates on your Charcoal Grate, wash it using a mild soap and warm water solution. You can use a wash cloth or vegetable brush to scrape off any caked on bits.

Cleaning the Cooker Interior

- If there is an excessive amount of ash on the interior walls of your cooker, use an ash removal tool to scrape off excess.
- Inspect draft holes in the Charcoal Box to make sure that they are clear of debris. Place an ash removal tool through the Air Door to scoop out debris.
- Keep the Charcoal Box and Charcoal Ring inside the cooker, or they may break.
- Remove and clean the Cooking Grids and Charcoal Grate following the instructions provided above.



CAUTION



Failure to comply with these instructions may result in a hazardous situation which, if not avoided, may result in injury.

Keep cooker area clear and free from combustible materials, gasoline and other flammable vapors and liquids.

Do not obstruct the flow of air for combustion and ventilation.

Keep the ventilation openings of the cooker free and clear of debris.

Never raise the lid fully after cooking for an extended period of time. Always raise the lid a couple of inches to release heat and air first. Fully opening the lid can cause a backdraft of heated air and flame to rush out and burn you.

Checking the Lid Hinges and Hardware:

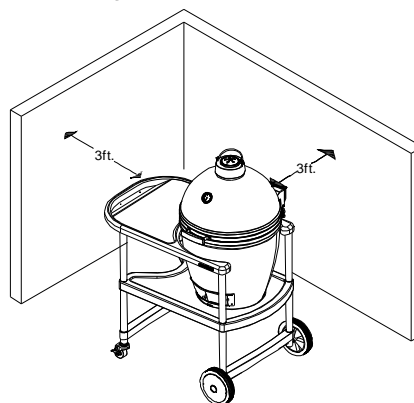
- Periodically check the Lid Hinge Assembly to make sure that the hinges are tight. Periodically check the Lid Hinge Assembly to make sure that the hinges are tight. Tighten hinges if they are loose. If the hinges are loose, the lid may fall off and break.
- Periodically check the hardware on your Globe Café cooker and cart to see if they are securely in place. Adjust hardware if any of it is not securely in place.



WARNING



- **Use your Globe Café at least 3 feet away from any wall or surface.** Use your Globe Café at least **3 feet away** from combustible objects that can melt or catch fire (such as vinyl or wood siding, fences and overhangs) or sources of ignition including pilot lights on water heaters and live electrical appliances.
- **Never** use your Globe Café in a garage, porch, shed, breezeway or any other enclosed area.
- **Never** obstruct the flow of ventilation air around your cooker housing.



Grand Hall Limited Warranty

Grand Hall will warrant to the ORIGINAL PURCHASER of this product that it will be free of defects in material and workmanship for set periods below from the date of purchase when used under normal outdoor use and correct assembly:

Limited Lifetime Warranty for Ceramic Body (See Warranty Restrictions)
5 Year Limited Warranty for Metal Bands (Rust Through Only)
2 Year Limited Warranty for All Other Cooker Parts

Grand Hall will require reasonable proof of your date of purchase. Therefore, you will need to send in the owner registration card or register online at www.grandhall.com. Save your receipt in case it is required for warranty processing.

This Limited Warranty is limited to replacement of parts at Grand Hall's option that proved to be defective under normal use and service.

Grand Hall may require the return of defective parts for examination before issuing replacement parts. If you are required to return defective parts, shipping charges must be prepaid. No returns will be accepted without prior authorization from Grand Hall.

Upon examination and to Grand Hall's satisfaction, if the original part is proven defective, Grand Hall may approve your claim and elect to replace such parts without charge. You will be charged for shipping and handling of the replacement parts.

This Warranty does not cover any failures or operating difficulties due to accident, abuse, misuse, alteration, misapplication, vandalism, improper installation, maintenance, operation or service, as set out in the Operator's Manual.

This Warranty does not cover cosmetic wear and tear such as scratches, dents, corrosion, chips, cracks, or discoloration caused by weather, heat, chemicals, paint loss, or surface rust. Deterioration or damage due to severe weather conditions such as hail, hurricanes, earthquakes, tsunamis, tornadoes, Act of God or terrorism is not covered by this Limited Warranty.

To Obtain Warranty:
Call 1-877-934-7455 M-F 8am-4:30pm CST

Warranty Restrictions:

- This Warranty is non-transferable and is void if product is used for commercial or rental purposes.
- This Warranty applies only when the product is used in the United States or Canada. Modification for use in any other location is a safety hazard and will void the warranty.
- Failure to register online or send in the completed warranty card will void the warranty.
- Certified Grand Hall Parts must be used as replacement, or the warranty is void.
- Use of lighter fluid will void the warranty.
- This Warranty gives you specific legal rights, and you may also have other rights which vary from state to state.
- This Warranty does not cover out of box chips or cracks on the unit's exterior. All exterior cracks and chips must be noted by the dealer on your receipt at the time of purchase.

Manufacturer:
Grand Hall Enterprise Co., Ltd.
9th Fl., No. 298, Rueiguang Rd., Neihu,
Taipei, Taiwan (114)