

This Owner's Manual is provided and hosted by [Appliance Factory Parts](#).



Grand Hall THLS09ALP Owner's Manual

[Shop genuine replacement parts for Grand Hall
THLS09ALP](#)



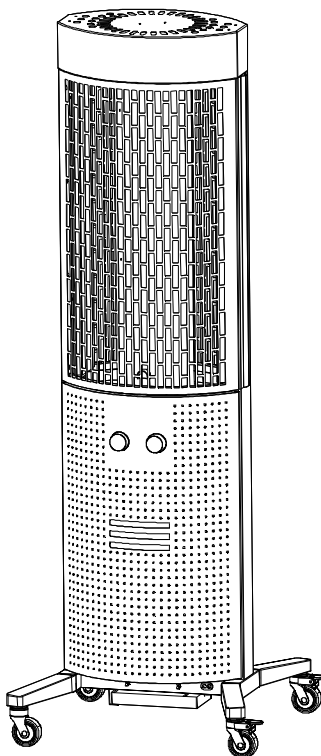
[Find Your Grand Hall Grill Parts - Select From 203 Models](#)

----- Manual continues below -----

grandhall

Operator's Manual

Liquid Propane Gas (LPG)
Totum Heater
Model THLS09ALP
Natural Gas (NG) Totum Heater
Model THLS09ANG



FREE HELP

At Grand Hall we're the experts on this product and trained to help you with:

- Assembly questions
- Heater operation
- Replacement of damaged or missing parts

visit www.grandhall.com or call:

1-877-934-7455

Monday - Friday 8:00am-4:30pm CST

IMPORTANT:

• NOTE TO ASSEMBLER/INSTALLER:

Leave this manual with the consumer.

• NOTE TO CONSUMER:

Keep this manual for future reference.

• RECORD YOUR SERIAL # _____

(see silver CSA label on main body of heater)



WARNING



- Failure to comply with these instructions could result in a fire or explosion that could cause serious bodily injury, death or property damage.
- Whether this heater was assembled by you or someone else, you must read this entire manual before using your heater to ensure the heater is properly assembled, installed and maintained.
- **Use your heater at least 3 feet away from any wall or surface.** Use your heater at least **3 feet away** from combustible objects that can melt or catch fire such as vinyl or wood siding, fences and overhangs or sources of ignition including pilot lights on water heaters and live electrical appliances.
- THIS GAS APPLIANCE IS DESIGNED FOR OUTDOOR USE ONLY.
- **Never** use your gas heater in a garage, porch, shed, breezeway or any other enclosed area.
- **Never** obstruct the flow of ventilation air around your gas heater housing.
- **Never** disconnect the gas regulator or any gas fitting while your heater is lit. A lit heater can ignite leaking gas and cause a fire or explosion which could result in property damage, personal injury or death.

Table of Contents

Primary Safety Warnings.....	1-4
Pre-Assembly Instructions.....	4
Part Diagrams and Lists.....	5-8
Assembly Instructions.....	9
Use & Care Instructions:	
• Gas Safety and Leak Tests.....	10-12
• Natural Gas Connection.....	13
• Player Instructions.....	14-15
• Lighting Instructions.....	16
• Troubleshooting.....	17
• Electrical Equipment Use.....	18
Cleaning and Maintenance.....	19
Frequently Asked Questions	20-21
Warranty Terms.....	Back Cover



DANGER



If you smell gas:

1. Shut off gas to the appliance.
2. Extinguish any open flame.
3. If odor continues, keep away from the appliance and immediately call your gas supplier or your fire department.



WARNING



Improper installation, adjustment, alteration, service or maintenance can cause injury or property damage. Read the installation, operating and maintenance instructions thoroughly before installing or servicing this equipment.



WARNING



1. Do not store or use gasoline or other flammable liquids or vapors in the vicinity of this or any other appliances.
2. An LP cylinder not connected for use shall not be stored in the vicinity of this or any other appliance.



WARNING



For Outdoor Use Only



WARNING



- LPG models must be used with Liquid Propane Gas and the regulator assembly supplied. Natural Gas models must be used with Natural Gas only. Any attempt to convert the heater from one fuel type to another is extremely hazardous and will void the warranty.
- Keep gas regulator hose away from hot heater surfaces. Avoid unnecessary twisting of hose. Visually inspect hose prior to each use for cuts, cracks, excessive wear or other damage. If the hose appears damaged do not use the gas heater. Call 1-877-934-7455 for a certified replacement hose.
- **California Proposition 65**
Combustion byproducts produced when using this product contain chemicals known to the State of California to cause cancer, birth defects, or other reproductive harm.
- Brass components on the heater, such as hose fittings, propane cylinder valves (sold separately) and burner valve stems, contain lead which is known to the State of California to cause cancer, birth defects, or other reproductive harm.
- **Never use charcoal** or lighter fluid in this gas heater. Failure to comply with these instructions could result in an explosion that could cause serious bodily injury, death or property damage.



DANGER



CARBON MONOXIDE HAZARD

1. This appliance can produce carbon monoxide which has no odor.
2. Using it in an enclosed space can kill you.
3. Never use this appliance in an enclosed space such as a camper, tent, car or home.



WARNING



1. Do not store spare LP cylinder within 10 feet (3m) of this appliance.
2. Do not store or use gasoline or other flammable liquids and vapors within 25 feet (8m) of this appliance.



WARNING



When using this heater or any electrical appliances, basic safety precautions should always be followed including the following:

- Do not touch hot surfaces.
- To protect against electrical shock, do not immerse the cord, plug, or any part of the heater in water or any other liquid.
- Close supervision is necessary when any appliance is used by or near children and/or pets.
- Unplug the unit from power source when not in use and before cleaning. Allow to cool before putting on or taking off parts.
- Do not operate the unit if it has a damaged plug or cord. Do not operate the unit if it cannot be operated safely or if it has been damaged in any manner. Return the appliance to the nearest authorized service facility for examination, repair, or adjustment.
- The use of any accessory attachments unauthorized by Grand Hall may cause injuries, property damage, or death.
- Secure cord and place the cord so that it cannot be tripped over or easily pulled.
- Do not let cord(s) touch hot surfaces.
- Do not move the unit when it is in use. Allow the unit to cool before moving or storing.
- Attach the plug of the unit to the receptacle of the power extension cord first, and then plug the cord into the wall outlet. To disconnect, turn the control knobs to "off," then remove the plug from the wall outlet.
- Do not use the appliance for any purposes other than its intended use.
- NEVER use charcoal, lighter fluid, or any fuel in this appliance.
- Use only on dedicated, properly grounded outlet. If an extension cord is used:
 - 1) It must be marked "For Outdoor Use Only."
 - 2) The appliance must be properly grounded. The extension cord should be a grounding-type 3 wire cord.
 - 3) Never connect the appliance to more than 1 extension cord or damage to wiring and/or fire could result.
- Use an extension cord suited for outdoor use with a tag stating "Suitable for Use with Outdoor Appliances." Store this unit indoors out of the reach of children when not in use.
- Do not clean this product when it is in use or plugged into a power source.



WARNING



- This appliance, when installed, must be electrically grounded in accordance with local codes or, in the absence of local codes, with the *National Electrical Code, ANSI/NFPA 70*, or the *Canadian Electrical Code, CSA C22.1*.
- Keep any electrical supply cord and the fuel supply hose away from any heated surfaces.

Patent Pending



DANGER



ELECTRIC SHOCK CAN KILL OR RESULT IN SERIOUS INJURY. TO PREVENT ELECTRICAL SHOCK:

- Connect cord to properly grounded GFCI (Ground Fault Circuit Interrupter) outlet only.
- Never operate your electrical equipment when it is raining.
- Always keep cord dry and off the ground.
- Never put the cord in water or any liquid.
- To prevent your electrical equipment from being splashed by water or falling into water, do not use electrical equipment within 10 feet of pool, spa, pond, water faucet or any body of water.
- Make sure the control knob is set to OFF before plugging OR unplugging your electrical equipment.
- Unplug your electrical equipment when not in use or before moving the electrical equipment.
- Do not unplug your electrical equipment by pulling the cord.
- Never remove the grounding plug or use with an adapter to two prongs.
- Unplug the cord before cleaning your heater.



CAUTION



When using electrical appliances, basic safety precautions should always be used.

FCC Compliance Statement:

This device complies with Part 15 of the FCC Rules. Operation is subject to the following 2 conditions: 1) this device may not cause harmful interference, and 2) this device must accept any interference received, including interference that may cause undesired operation.

In accordance with FCC 15.21, changes or modifications not expressly approved by Grand Hall could void the user's authority to operate the equipment.

This equipment has been tested and found to comply with the limits for a Class B digital device, pursuant to Part 15 of the FCC Rules. These limits are designed to provide reasonable protection against harmful interference in a residential installation. This equipment generates, uses and can radiate radio frequency energy and, if not installed and used in accordance with the instructions, may cause harmful interference to radio communications. However, there is no guarantee that interference will not occur in a particular installation. If this equipment does cause harmful interference to radio or television reception, which can be determined by turning the equipment off and on, the user is encouraged to try to correct the interference by one or more of the following measures:

- Reorient or relocate the receiving antenna.
- Increase the separation between the equipment and receiver.
- Connect the equipment into an outlet on a circuit different from that to which the receiver is connected.

Pre-Assembly Instructions For Your Safety

PRE-ASSEMBLY

Read and perform the following pre-assembly instructions:

- Required Tools**
 - protective work gloves
 - protective eyewear
 - Phillips Head Screwdriver
- You will need assistance from another person to handle the heater and other large, heavy parts.
- Open Lid of shipping carton and remove parts box and packing materials. Lay cardboard sheet on floor and use as a work surface to protect floor and heater parts from scratches.
- You may slice the carton front corners with a utility knife to lay open the carton front panel. This allows you to raise the heater and remove the components packed inside, making it easier to lift. Use the sliced off carton front as a work surface to protect floor and heater parts from scratches.
- Use the Part Diagrams to ensure all items are included and free of damage.
- Do not assemble or operate the heater if it appears damaged. If there are damaged or missing parts when you unpack the shipping cartons or you have questions during the assembly process, call the:

Heater Information Center 1-877-934-7455
8am-4:30pm CST, Monday through Friday

Heater Installation Codes

The installation must conform with local codes or, in the absence of local codes, with either the National Fuel Gas Code, ANSI Z223.1/NFPA 54, Natural Gas and Propane Installation Code, CSA B149.1, or Propane Storage and Handling Code, B149.2.

For Liquid Propane (LPG)

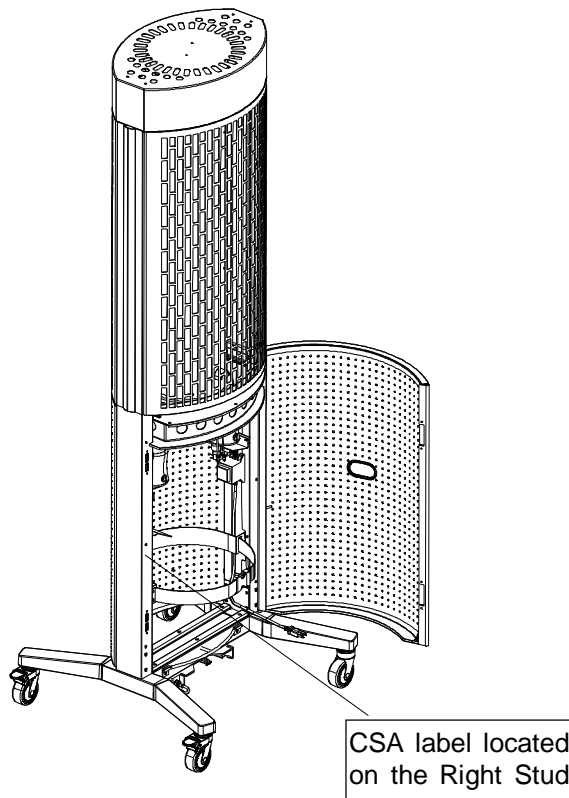
The gas manifold supply pressure must be regulated at 11" water column utilizing a Grand Hall authorized regulator. The minimum inlet pressure to the regulator from the tank is 10 psi and maximum pressure is 150 psi.

For Natural Gas (NG)

The gas pressure Regulator supplied with this appliance must be installed and used on your heater. The heater and regulator are set to operate with an outlet pressure of 4" W.C.

SAVE THESE INSTRUCTIONS

- Any guard or protective device removed from servicing the heater must be replaced prior to operating the heater.
- Note: You should inspect the heater and connections before each use. You should perform periodic maintenance (refer to Cleaning and Maintenance) on the heater. The heater should be inspected and serviced at least annually by a qualified technician.



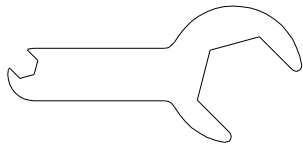
For your safety:

- Do not place or store any combustible items (ex: wood, compressed paper, plant fiber, plastic, Plexiglas) or any other materials capable of being ignited and burned in or underneath the heater. This will create a fire hazard.
- Do not stand too close to the heater when it is in operation. Radiant heat may cause burns or clothing to ignite.
- Do not touch hot heater surfaces.
- Children and pets must be carefully supervised when they are in the area of the heater.
- Clothing or other flammable materials should never be hung from the heater or placed on or near the heater.

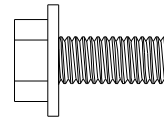
Hardware Pack Parts List for Model THLS09ALP/NG

PART #	PART DESCRIPTION	QTY	PURPOSE OF PART
P06009016A	Hardware Pack	1	For use in assembly of Model THLS09ALP/NG
P05515015L	Wrench	1	Install the Casters
S162G0408E	Hex Head Screw 1/4"x1/2"	8	Install Caster Seats to Cart Frame

Hardware Pack Diagram for Model THLS09ALP/NG



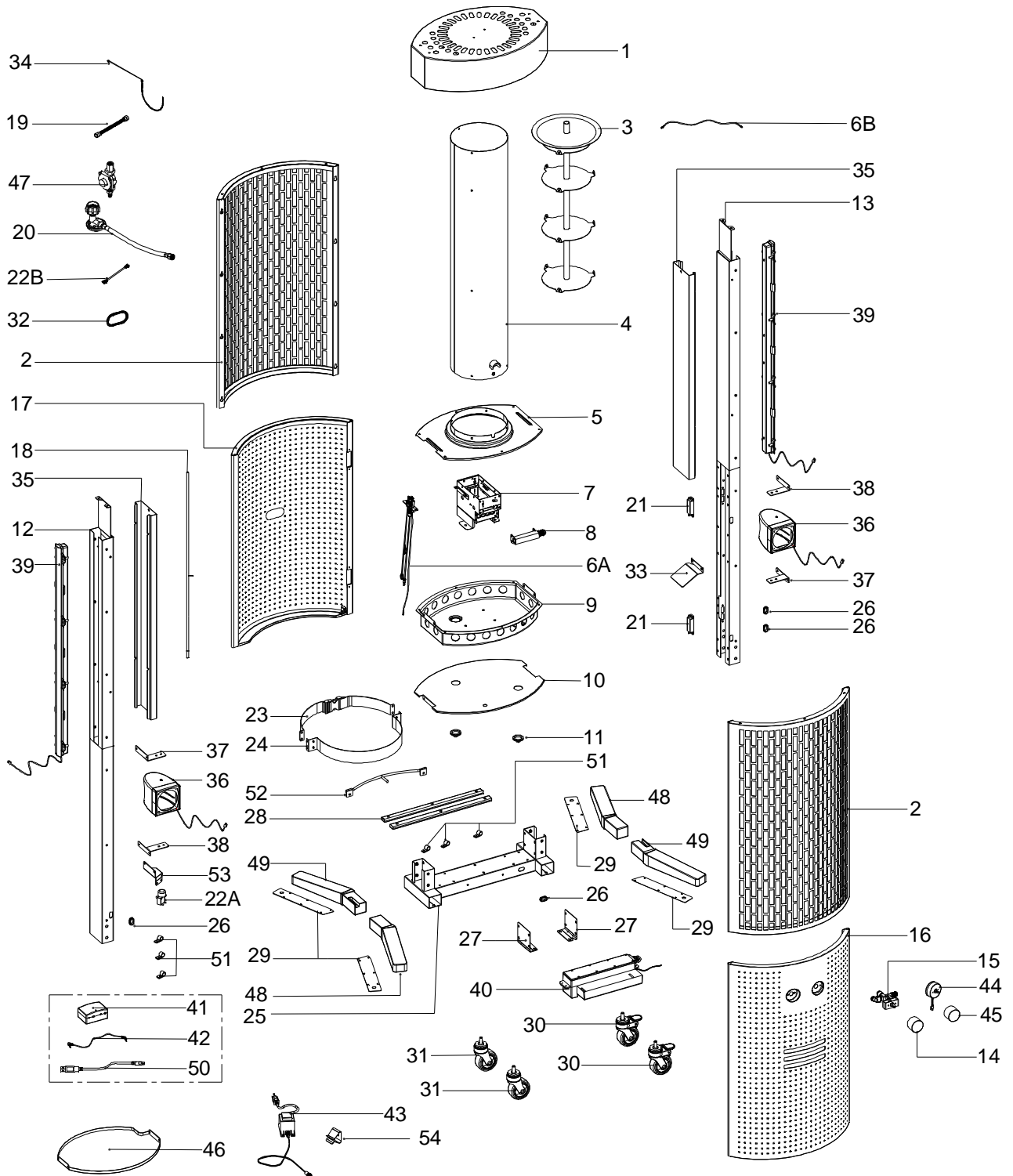
Wrench (Packing with the Operator's Manual)
Qty. 1
Part # P05515015L



Hex Head Screw
1/4"x1/2"
Qty. 8
Part # S162G0408E

* 4 Batteries/AA included in the Hardware Pack.

Parts Diagram for Model THLS09ALP/NG



Parts List for Model THLS09ALP/NG

KEY	DESCRIPTION	PART #	QTY
1	Lid Assembly	P0015202IK	1
2	Panel, Upper	P0073883F4	2
3	Heat Shield Assembly	P069030684	1
4	Heat Radiation Tube	P05343011K	1
5	Heat Radiation Tube Bracket	P05343012G	1
6A	Pilot Assembly (LPG)	P05379001B	1
	Pilot Assembly (NG)	P05379003B	1
6B	Electric Wire	P02616022A	1
7	Burner Assembly	P02003046A	1
8	Gas Valve/Manifold Assembly (LPG)	Y0060647	1
	Gas Valve/Manifold Assembly (NG)	Y0060722	1
9	Burner Bracket	P02213371E	1
10	Tank Heat Shield	P01001069D	1
11	Protective Cap	P05535012I	2
12	Stud, Left	P00901060D	1
13	Stud, Right	P00902060D	1
14	Control Knob/Gas Valve	P03418225U	1
15	Gas Valve (LPG)	P03247006F	1
	Gas Valve (NG)	P03247007F	1
16	Door, Front	P04305063B	1
17	Door, Rear	P04306030B	1
18	Door Bracket	P053720034	1
19	Connection Hose	P03702036F	1
20	Regulator with Hose (LPG)	P03608002A	1
21	Door Magnet	P05351003A	2
22A	Switch/Safety	P05380001B	1
22B	Switch/Safety Wire	P02616067A	1
23	Tank Fastening Strap (LPG)	P05314002V	1
24	Tank Holder (LPG)	P04009031G	1
25	Cart Frame	P03334013E	1
26	Protective Cap/Wire Protector	P06804002G	4
27	Cart Frame Bracket	P03334003A	2
28	Gas Tank Protective Pad (LPG)	P03303112D	2
29	Caster Seat Bracket	P03303141K	4
30	Caster, 3 in., with Brake	P05112028A	2
31	Caster, 3 in., without Brake	P05112029A	2
32	Protector	P055350133	1
33	Decorative Plate/Cart (LPG)	P03349001E	1
34	Lighting Stick	P05507140M	1
35	Heat Shield/Stud	P01005052H	2
36	Speaker Assembly	P05381001B	2
37	Speaker Bracket, Left Upper/Right Lower	P03311048D	2
38	Speaker Bracket, Left Lower/Right Upper	P03311049D	2
39	Light Bar Assembly	P05383009D	2
40	Control Box Assembly	P05357012B	1
41	Transmitter	P05389001B	1
42	Transmitter Wire	P05390001B	1
43	AC Adapter	P05374006B	1
44	Electronic Switch	P05382002A	1
45	Control Knob/Electronic Switch	P03418235V	1
46	Cart Shelf (NG)	P01904001D	1

Parts List for Model THLS09ALP/NG

KEY	DESCRIPTION	PART #	QTY
47	Regulator (NG)	P03614008C	1
48	Caster Seat, Left Front/Right Rear	P05327070Q	2
49	Caster Seat, Right Front/Left Rear	P05327071Q	2
50	USB Connection Wire	P05390002B	1
51	Wire Bracket	P05377002Q	6
52	Control Box Protector	P03350001D	1
53	Switch/Safety Bracket	P03306036E	1
54	Wire Bracket/Adapter	P03327096A	1
	Hardware Pack	P06009016A	1
	Operator's Manual	P80183003B	1

For the repair or replacement parts you need:

Call 1-877-934-7455 for assistance

To obtain the correct replacement parts for your gas heater, please refer to the part numbers in this parts list. The following information is required to ensure you receive the correct parts:

1. Model and Serial Number (see CSA label on heater)
2. Part Number
3. Part Description
4. Quantity of parts needed

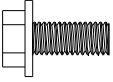
Important: Use only Grand Hall replacement parts. The use of any part that is not a Grand Hall replacement part can be dangerous and will also void your product warranty. Keep this Operator's Manual for convenient referral and for part replacement.

Assembly Instructions

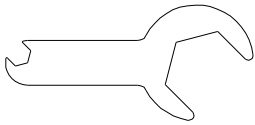
CAUTION: To assemble this heater, you should obtain assistance from another person when handling the larger, heavier pieces.

1 Install Caster Seats and Casters

- Open Lid of shipping carton and remove packing materials. With the help of your assistant, lift the bottom of the Heater and place the Cart Leg Assembly onto the box as shown.
- Install 4 Caster Seats to the Cart Frame using 8 Hex Head Screws 1/4"x1/2" and tighten securely.
- Install 4 Casters onto the Caster Seats using the Wrench provided.
- With your assistant, stand the Heater up carefully.

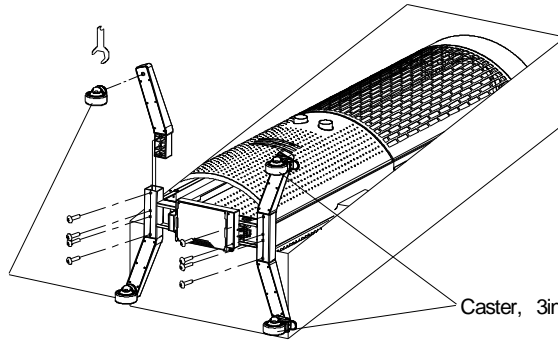


Hex Head Screw 1/4"x1/2"
Qty. 8
Part # S162G0408E

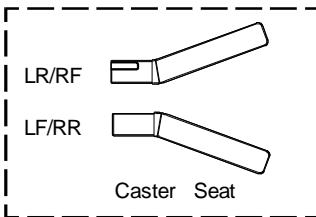


Wrench
Qty. 1
Part # P05515015L

Caster, 3in., without Brake

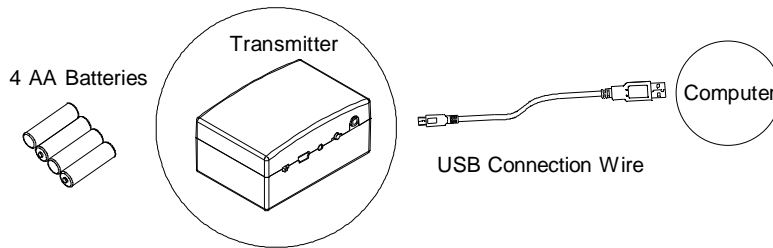


Caster, 3in., with Brake



2 Connecting Power Source to Transmitter

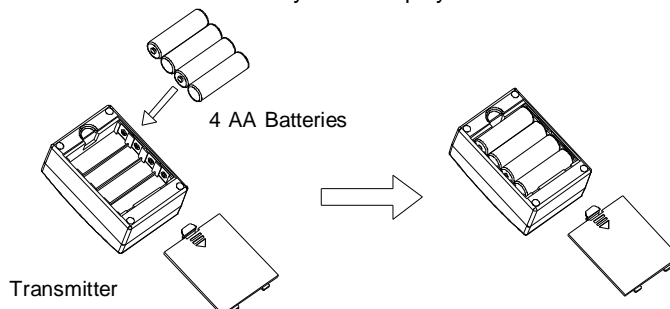
- The Transmitter can use either 4 AA batteries or the USB Connection Wire (plugged into a computer) as a power source. Use only one power source to operate the Transmitter at a time. See page 14 for more information.



3 Install Batteries into the Transmitter

- Install 4 AA Batteries into the Transmitter as shown.
- The Transmitter and MP3 player emit a wireless signal to the Totum's Control Box Assembly. The Control Box will pick up the signal and playback the music through the Speakers. The Light Bars will flash different colored lights to the beat of the music.


NOTE: Do not store the Transmitter or your MP3 player inside the Totum.




LP Gas Tank Installation

CORRECT LP GAS TANK USE


- LP Gas heater models are designed for use with a standard 20 lb. Liquid Propane Gas (LP Gas) tank, not included with heater. **Never** connect your gas heater to an LP Gas tank that exceeds this capacity. A tank of approximately 12 inches in diameter by 18-1/2 inches high is the maximum size LP Gas tank to use. **You must use an "OPD" gas tank which offers a listed Overfill Prevention Device.** This safety feature prevents the tank from being overfilled which can cause a malfunction of the LP Gas tank, regulator and/or heater.
 - The LP Gas tank must be constructed and marked in accordance with the Specifications for LP-Gas Cylinders of the U.S. Department of Transportation (D.O.T.) or the National Standard of Canada, CAN/CSA-B339, Cylinders, Spheres and Tubes for Transportation of Dangerous Goods; and Commission, as applicable.
 - The LP Gas tank must have a shutoff valve, terminating in an LP Gas supply tank valve outlet, that is compatible with a Type 1 tank connection device. The LP Gas tank must also have a safety relief device that has a direct connection with the vapor space of the tank.
 - The tank supply system must be arranged for vapor withdrawal.
 - The LP Gas tank must have a collar to protect the tank valve. If the collar is damaged in any way, the tank must be replaced prior to using the heater.
 - Never** connect an unregulated LP gas tank to your gas heater. The gas regulator assembly supplied with your gas heater is adjusted to have an outlet pressure of 11" water column (W.C.) for connection to an LP gas tank. Only use the regulator and hose assembly supplied with your gas heater. **Replacement regulators and hose assemblies must be those specified by Grand Hall.**
 - Have your LP Gas dealer check the release valve after every filling to ensure it remains free of defects.
 - Always keep LP Gas tank in upright position.
 - Do not subject the LP Gas tank to excessive heat.
 - If you store your gas heater in the garage **always** disconnect the LP Gas tank first and store it safely outside.
 - Never store an LP Gas tank indoors. LP Gas tanks must be stored outdoors in a well-ventilated area and out of the reach of children.
 - The regulator and hose assembly can be seen after opening the door and must be inspected before each use of the heater. If the hose is damaged in any way, it must be replaced prior to using the heater again.
 - Never** allow children to operate your heater. Do not allow children or pets to play near your heater. Always supervise children and pets if they are in the vicinity of the heater.
 - Use of alcohol, prescription or non-prescription drugs can impair your ability to properly assemble and safely operate your heater.
 - Keep fire extinguisher readily accessible. In the event of a fire, do not attempt to extinguish with water. Use type B extinguisher or smother with dirt, sand or baking soda.
- In the event of rain, turn off the burner and gas supply. Wait for the heater to cool and then cover the heater.
 - Use your heater on a level, stable surface in an area clear of combustible materials.
 - Do not leave heater unattended when in use.
 - Do not move the heater when in use.
 - Allow the heater to cool before moving or storing.
 - This heater is not intended to be installed in or on recreational vehicles and/or boats.
 - The heater is not intended for commercial use.
 - Never** use charcoal or lighter fluid in this gas heater. Never place combustible materials into the heater or under the heater.




WARNING



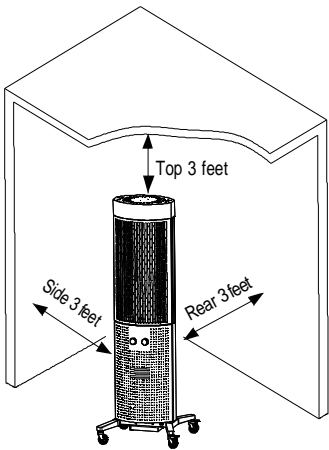
A. Do not store a spare LP gas tank near this heater.
B. Never fill the tank beyond 80 percent full.
C. If the information in "(a)" and "(b)" is not followed exactly, a fire causing death or serious injury may occur.



WARNING



- Use your heater at least 3 feet away from any wall or surface.
- Use your heater at least 3 feet away from any combustible objects that can melt or catch fire such as vinyl or wood siding, fences, overhangs (See Diagram Below), or any other sources of ignition; including pilot lights and live electrical appliances.
- Do not use your heater under any overhead combustible construction.
- Never use your heater in a garage, porch, shed, breezeway, or any other enclosed area.
- In windy conditions, always position the front of the heater to face oncoming wind to reduce heat and smoke blowing in your face, and to prevent potential hazards to yourself and the heater.



The diagram illustrates a heater on a stand with three clearance requirements: a 3-foot clearance from the top of the heater, a 3-foot clearance from the side, and a 3-foot clearance from the rear. The heater is shown in a room with a gabled roof.

USE AND CARE INSTRUCTIONS

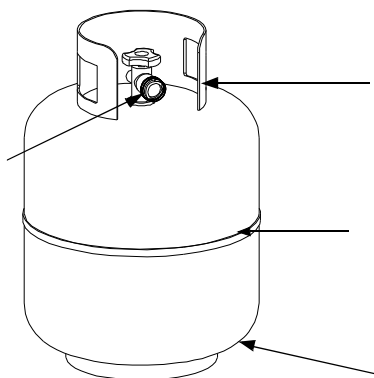
NOTE about LP Gas Tank Exchange Programs

- Many retailers that sell heaters offer you the option of replacing your empty LP Gas tank through an exchange service. Use only those reputable exchange companies that inspect, precision fill, test and certify their tanks. Exchange your tank only for an OPD safety feature-equipped tank as described in the LP Gas tank section of this Manual.
- Always keep new and exchanged LP Gas tanks in an up-right position during use, transit or storage.
- Leak test new and exchanged LP Gas tanks BEFORE connecting one to your heater.

How to Leak Test your LP Gas Tank

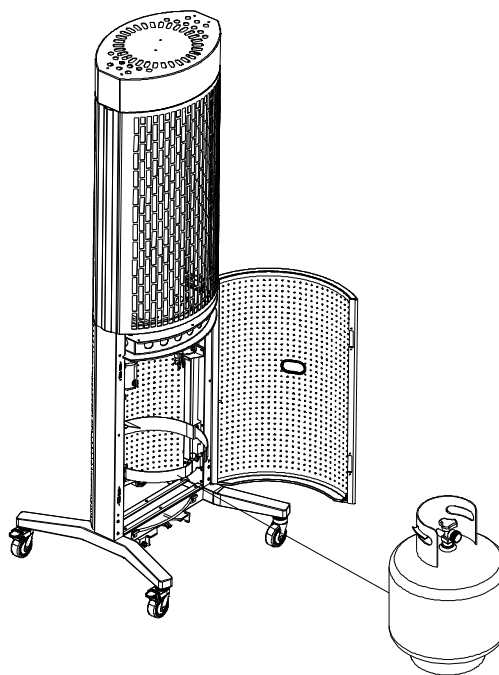
For your safety:

- All leak tests must be repeated each time your LP Gas tank is exchanged or refilled.
- When checking for gas leaks do not smoke.
- Do not use an open flame to check for gas leaks.
- Your heater must be leak tested outdoors in a well-ventilated area, away from ignition sources such as gas fired or electrical appliances. During the leak test, keep your heater away from open flames or sparks.
- Do not use household cleaning agents. Damage to gas assembly components can result.
- Use a clean paintbrush and a 50/50 mild soap and water solution.
- Brush soapy solution onto LP Gas tank in the areas indicated by the arrows. See diagram.
- If growing bubbles appear do not use or move the LP Gas tank. Call an LP Gas Supplier or your Fire Department.



Secure a 20lb LP Gas Tank to Gas Heater

- Turn your LP Gas Tank Valve clockwise to the closed or OFF position.
- Open the Cart Door and release the Tank Fastening strap. Set the Gas Tank securely on the Tank Holder and secure the Tank Fastening Strap. Close the Cart Door.



WARNING



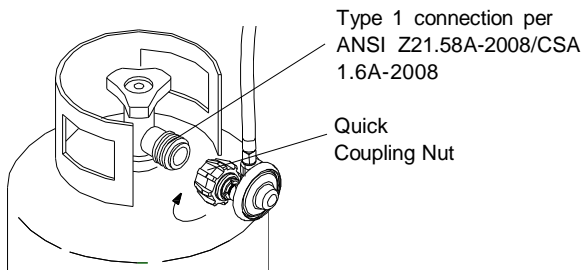
If growing bubbles appear do not use or move the LP Gas tank. Contact an LP Gas Supplier or your fire department!

USE AND CARE INSTRUCTIONS

LP Gas Model only:

Connect Regulator with Hose to your LP Gas Tank

- Turn Burner Valve to the OFF position.
- Inspect the valve connection port and regulator assembly for damage or debris. Remove any debris. Never use damaged or plugged equipment.
- Connect the regulator assembly to the tank valve and **HAND TIGHTEN** nut clockwise to a full stop. **DO NOT** use a wrench to tighten because it could damage the Quick Coupling Nut and result in a gas leak/fire hazard.
- Open the tank valve 1/4 to 1/2 (counterclockwise) and use a soapy water solution to check all connections for leaks before attempting to light your heater. See "**Check all Connections for LP Gas Leaks**". If a leak is found, turn the tank valve off and do not use your heater until the leak is repaired.

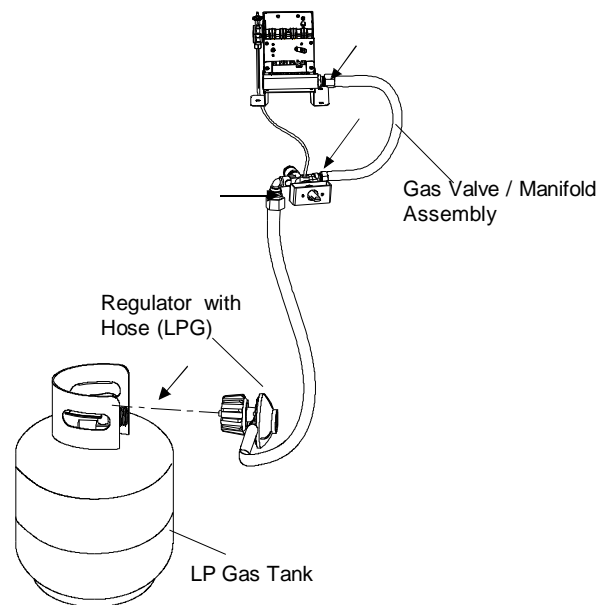


CAUTION: When the heater is not in use the gas must be turned off at the tank. Place dust cap on cylinder valve outlet whenever the cylinder is not in use. Only install the type of dust cap on the cylinder valve outlet that is provided with the cylinder valve. Other types of caps or plugs may result in leakage of propane.

Check all Connections for LP Gas Leaks

Never test for leaks with an open flame. Prior to first use, at the beginning of each season, or every time your LP Gas tank is changed, you must check for gas leaks. Follow these three steps:

1. Make a soap solution by mixing one part liquid detergent and one part water.
2. Turn the heater Control Knob to the full OFF position, then turn the gas ON at source.
3. Apply the soap solution to all gas connections indicated by the arrows. See diagram. If bubbles appear in the soap solution the connections are not properly sealed. Check each fitting and tighten or repair as necessary.



!
!

WARNING

If you have a gas leak that cannot be repaired by tightening, turn off the gas at the source, disconnect fuel line from your heater and call 1-877-934-7455 or your gas supplier for repair assistance.

Disconnecting A Liquid Propane Gas (LPG) Tank From Your Heater

- Make sure the Burner Valve and LP Gas tank valve are off. (Turn clockwise to close.)
- Detach the hose and regulator assembly from the LP Gas tank valve by turning the Quick Coupling Nut counterclockwise.
- Don't use a wrench or any tools when turning the Quick Coupling Nut.

!
!

WARNING

1. Do not store spare LP cylinder within 10 feet (3m) of this heater.
2. Do not store or use gasoline or other flammable liquids and vapors within 25 feet (8m) of this heater.

!
!

WARNING

Failure to read and follow the Use and Care Instructions could result in a fire or explosion that could cause serious bodily injury, death or property damage.

Natural Gas Connection

Natural Gas Model only: Connecting Natural Gas To Your Heater

- Connect the Swivel nut of the 12' Natural Gas Hose to the horizontal fitting of NG Regulator as shown in **Fig.1**. Connect the other hose end (male plug) to the gas supply line from your home. Read and follow the "Natural Gas Safety Instructions" below.

Natural Gas Safety Instructions

- Your natural gas heater is designed for use with natural gas (NG) only. The gas pressure Regulator supplied with this appliance **must** be installed and used on your heater. The unit and Regulator are set to operate with an outlet pressure of 4" W.C.
- Install a Shutoff Valve at the gas supply source outdoors at a point after the gas pipe exits the outside wall and before the quick-disconnect hose. Or install it at the point before the gas line piping enters the ground. See **Fig. 2**.
- Pipe sealing compound or pipe thread tape resistant to the action of natural gas must be used on all male pipe thread connections.
- Disconnect your heater from fuel source when the gas supply is being tested at high pressures. This heater and its individual shutoff valve must be disconnected from the gas supply pipe system during any pressure testing of that system at pressure in excess of 1/2 psi (3.5kpa).
- Turn off your heater when the gas supply is being tested at low pressures. The heater must be isolated from the gas supply pipe system by closing its individual manual shutoff valve during any pressure testing of the gas supply pipe system at pressures equal to or less than 1/2 psi (3.5kpa).

Fig.2

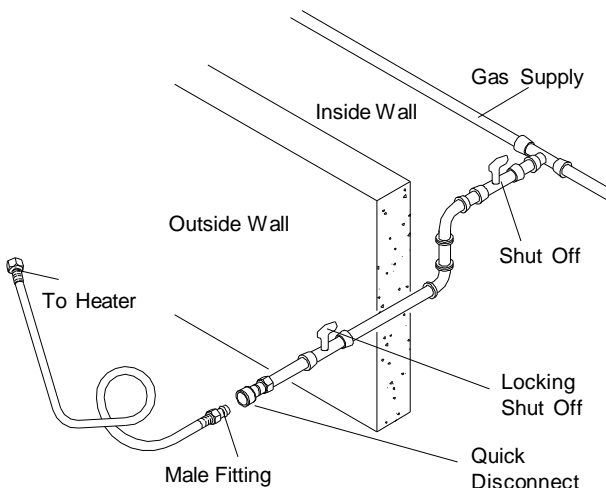
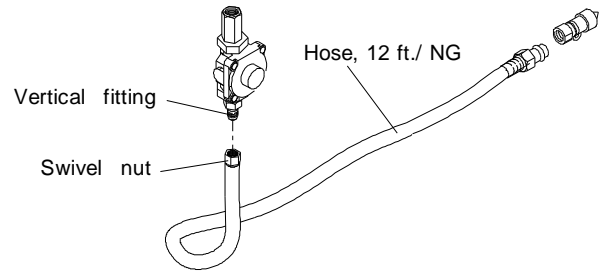


Fig.1

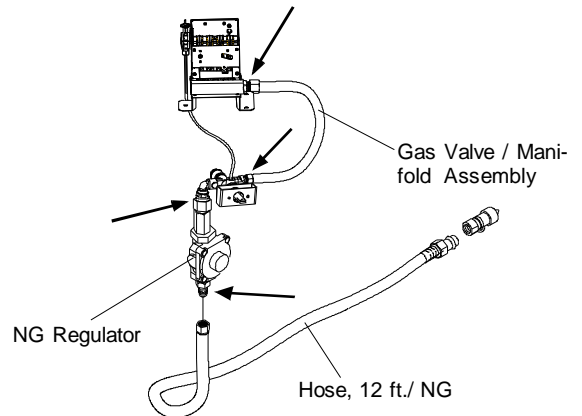


Check all connections for Natural Gas Leaks

Never test for leaks with an open flame. Prior to first use and at the beginning of each season, you must check for gas leaks. Follow these three steps:

- Make a soap solution by mixing one part liquid detergent and one part water.
- Turn the heater knobs to their full OFF positions. Next, turn the gas ON at the source.
- Apply the soap solution to all gas connections indicated by the arrows. See **Fig.3**. If bubbles appear in the soap solution the connections are not properly sealed. Check each fitting and tighten or repair as necessary.

Fig.3



Gas Line Piping:

- If the length of line required does not exceed 50 feet, use a 5/8" O.D tube. One size larger should be used for lengths greater than 50 feet.
- Gas piping must be copper tubing, type K or L; polyethylene plastic tube, with a minimum wall thickness of 0.62 inch; or standard weight (schedule 40) steel or wrought iron pipe.
- Copper tubing must be tin-lined if the gas contains more than 0.3 grams of hydrogen sulfide per 100 cubic feet of gas.
- Plastic tubing is suitable only for outdoor, underground use.
- Gas piping in contact with earth, or any other material which may corrode the piping, must be protected against corrosion in an approved manner.
- Underground piping must have a minimum of 18' cover.

USE AND CARE INSTRUCTIONS

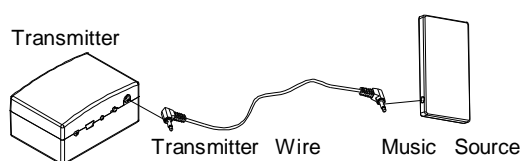
CAUTION: Before using the Music and Lights System, you should plug the Totum power adapter cord into the wall outlet.

Connecting Transmitter to your Music Player

- The Transmitter can use the following kinds of music players as a music source: CD, DVD, MP3, or MP4. **The sound for the heater speaker is influenced by the source sound. Generally speaking, high-power and high-quality music source can make a louder and clearer sound from the heater speaker.**
- Use a connection wire equipped with a 3.5mm headphone jack to connect the Transmitter to your Music Player. We have included a Transmitter Wire (with 3.5mm headphone jack) for your convenience.
- Turn the Transmitter Battery Power Switch ON. Make sure your Music Player is ON.

Connecting Transmitter to your Computer

- Your computer can be used as a music and power source for the Transmitter. Connect a USB 2.0 cable to the USB ports on the Transmitter and your Computer. (A USB Connection Wire has been included for your convenience.) Make sure the Battery Power Switch is turned OFF and that your computer has adequate power.
- The Transmitter system is compatible with Windows 98SE/ME/2000/XP/Vista and Mac OSX without the use of an additional driver.



Pairing the System with Transmitter

- Make sure the Transmitter is plugged into Music Source (If using battery power, make sure the Transmitter Battery Switch is turned ON). Turn the Music Source on and set to PLAY. Push the right knob on Totum briefly (about 1-3 seconds); this will make the Totum's Music and Light System go into automatic Pairing mode. Pairing Mode will last 20 seconds. If Pairing is successful, the Totum Music and Light System will sync. Music will play out of the speakers, and the lights will flash to the beat of the music.
- If pairing is unsuccessful, the Music and Light System will shut off automatically. Use the steps below to pair the System manually:
 - Press and hold the ID Button on the Transmitter and the Right Knob on the Totum. Hold both buttons down for more than 5 seconds.
 - The light bars on the sides of the Totum will be solid white.
 - Successful Pairing will be indicated by a single BEEP.
 - If Pairing fails, please turn off transmitter and the right knob and retry.
 - Pairing mode will only last 15 seconds. Be sure to complete the process within the allotted time.
- Pairing only has to be performed once with a new system or additional Totums.
- Up to 50 Totums can be controlled at the same time by one Transmitter. The Totum(s) must be within 82 feet (25 meters) of the Transmitter for pairing.

To Turn Music and Light System ON/OFF:

- To turn Lights ON: Push the right knob briefly (about 1-3 seconds). The light bars should turn green.
- With your music source plugged into the Transmitter, turn Transmitter power on.
- To turn Lights OFF: Push the right knob again briefly (about 1-3 seconds). The light bars should turn Blue.

To Turn Light Sync Feature OFF During Music Play:

- Turn the right knob to scroll through available colors for the light bars and stop until the desired color is reached. There are 11 colors to choose for the Light Bars. The light bars will remain static (no flashing) in the color of your choice.
- If you want to turn OFF the Light Bars, turn the right knob and stop until the light off.
- Once light sync mode has been turned OFF, the system must be restarted (power OFF then ON) to enable light sync again.

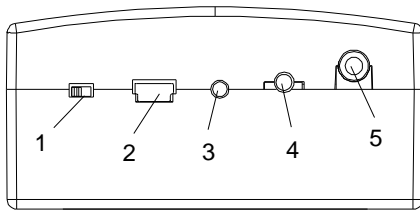
Sleep Mode

- If the music stops in Light Sync mode, the Music and Lights System will turn OFF and go into Sleep Mode after 5 minutes. Press PLAY on your Music Source to exit Sleep Mode.

USE AND CARE INSTRUCTIONS

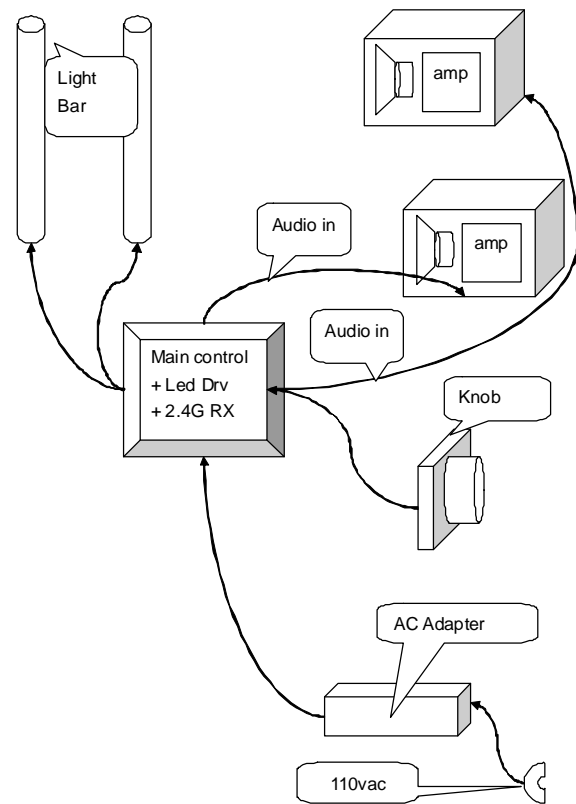
Key/Socket Functions for Transmitter Box:

Transmitter Box



1. Battery Power Switch: (Power On/Off)
2. USB Port (Supports USB 2.0 high speed cable).
3. LED Indicator Light
 - If the Light is ON: Audio is transmitting normally.
 - If the Light is slowly flashing: No audio source found.
 - If the Light is rapidly flashing: Pairing is in progress.
4. ID button: Press this button with right knob on Totum to start pairing process.
5. Line in jack: Direct line in playback via 3.5mm audio jack.

Diagram for Player System





If No Sound, Intermittent Sound or Weak Sound is Coming Out of the Speakers :

- For Transmitter Connected to Music Player:
 - Check the Transmitter to see if the batteries need to be changed, or if the batteries are installed correctly. Adjust or change the batteries as needed.
 - Check the Battery Power Switch to see if it is turned on. Turn Battery Power Switch ON if it is in OFF position.
 - Make sure the Transmitter Wire is plugged into the Transmitter and Music Player. Plug both ends of the Transmitter Wire so that they are securely in the direct line in jacks of the Transmitter and Music Player.
 - Check to see if the Music Player is on and playing music. Make sure the Music Player is on PLAY and adjust the sound level of the Music Player if there is no volume.
 - **Check the MP3 if it is high-power and high-quality if you use a MP3 as a music source.**
- For Transmitter Connected to Computer:
 - Check if the USB Connection Wire is connected to the USB ports of the Transmitter and Computer. Reconnect the USB Connections into the USB ports of the Transmitter and Computer if they are unplugged.
 - Make sure that the Transmitter Wire is not plugged into the direct line jack (this can interfere with the playback of the Music Source). Unplug the Transmitter Wire from the Direct Line jack if it is connected.
 - Make sure your computer is on and playing back music. If your computer is not playing back music, make sure that the audio file is selected and set to PLAY on your computer.
 - Check your computer to see if the sound level is too low or on mute. If the sound level is low or on mute, adjust the sound level on your computer.
- Make sure the Transmitter and Totum are Paired:
 - Make sure the Transmitter and music source are connected and turned ON. Make sure the music source is set to PLAY. Push the right knob on Totum for about 1-3 seconds. Pairing will occur for 20 seconds. If pairing is successful this should automatically start the Music and Lights System. If automatic pairing does not work, refer to page 14 for manual pairing instructions.
- Make sure there are no obstacles between the Heater and Transmitter
 - If you have checked for everything in the previous points and no sound, intermittent sound or weak sound is coming from the speakers, check to see if there are any obstacles between the Heater and Transmitter. Remove any obstacles or reposition the Heater or Transmitter so they are not blocked.
 - Make sure the Heater and Transmitter are within 82 feet (25m) of each other.

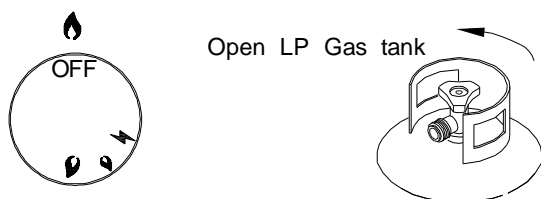
USE AND CARE INSTRUCTIONS

Heater Lighting Instructions

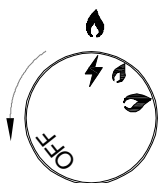
1. Before each use, check all hoses for cracks, nicks, cuts, burns or abrasions. If a hose is damaged in any way, do not use your heater before replacing the hose with an authorized part from the Parts List. Also make sure all gas supply connections are securely tightened.
2. Familiarize yourself with the safety and Use and Care Instructions in this Manual. Do not smoke while lighting heater or checking gas supply connections.
3. Be sure the LP Gas tank is filled and lock Casters to prevent movement during heater operation.

	WARNING	
<p>Failure to replace a faulty hose, secure gas supply connections before proceeding to the Lighting Procedures could result in a fire or explosion that could cause serious bodily injury, death, or property damage.</p>		

4. Set Control Knob to OFF and open the LP Gas tank valve **SLOWLY 1/4 of a turn**.



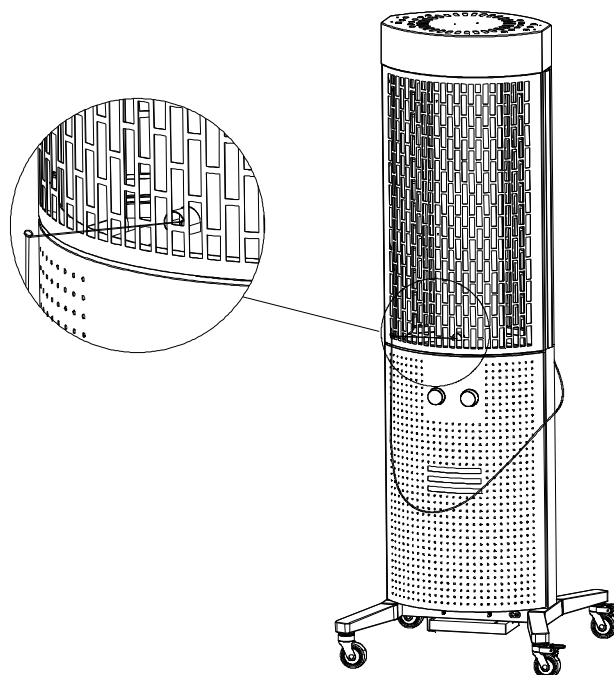
5. Push and turn the Control Knob to ⚡ and hold knob in. Once the burner is lit, keep pressing the knob for 10 seconds and then rotate the knob to 🔥.



6. You may have to push and turn the Control Knob up to 3 or 4 times to light.
7. If ignition does not occur in 5 seconds, turn gas off at source and turn Control Knob OFF. Wait at least 5 minutes for gas to clear, then retry. If your heater still fails to light turn the Control Knob and gas source OFF. Wait 5 minutes for gas to clear and then conduct a leak test as explained in the LP Gas Tank Installation of this guide. If no leaks are detected, repeat the lighting procedure.
8. After Burner is lit, turn the tank valve SLOWLY one more 1/4 of a turn.

Manually Lighting Your Heater By Paper Match

To light your gas heater by match, insert a match into the Lighting Stick and follow steps 1 through 4 of the Heater Lighting Instructions. Then, light the match and place the Lit match through the Lighting Hole on the heater as shown below. Turn the Control Knob to the ⚡ and hold the knob in 5-10 seconds to release the gas. Rotate the knob to 🔥. The Burner should light immediately.



USE AND CARE INSTRUCTIONS

Troubleshooting

If the heater fails to light :

1. Turn gas off at source and turn Control Knob to OFF. Wait at least 5 minutes for gas to clear, then retry.
2. If your heater still fails to light, check gas supply and connections.
3. Repeat lighting procedure. If your heater still fails to operate, turn the gas off at source, turn the Control Knob to OFF, then check the following:
 - Obstruction in gas line
Correction: Remove regulator hose from heater. Do not smoke! Open gas supply for one second to clear any obstruction from fuel line. Close off gas supply at source and reconnect fuel line to heater.
 - Disconnected Electric Wires
Correction: Inspect the electric wires connecting the Switch/Safety and Control knob/Gas Valve. Connect the loose electric wires to Switch/Safety and Control Knob/Gas Valve. Try to light heater.
 - If the heater still does not light you may need to purge air from the gas line or reset the regulator excess gas flow device. **Note:** This procedure should be done every time a new LP Gas tank is connected to your heater.

⚠
WARNING
⚠

While lighting your gas heater, keep your face and body a safe distance (at least 18 inches) from the Lighting Hole or Burner.

To purge air from your gas line and/or reset the regulator excess gas flow device:

- Turn Control Knob to the OFF position.
- Turn off the gas at the tank valve.
 For Natural Gas shut off NG valve.
- Disconnect regulator from LP Gas tank.
 For Natural Gas disconnect regulator from 12 ft. Natural Gas Hose.
- Let unit stand 5 minutes to allow air to purge from gas line.
- Reconnect regulator to the LP Gas tank.
 For Natural Gas reconnect regulator to 12 ft. Natural Gas Hose.
- Turn tank valve on SLOWLY 1/4 of a turn.
 For Natural Gas open Shut Off valve.
- Push and turn the Control Knob to ⚡ and hold it in 5-10 seconds to ignite the burner.

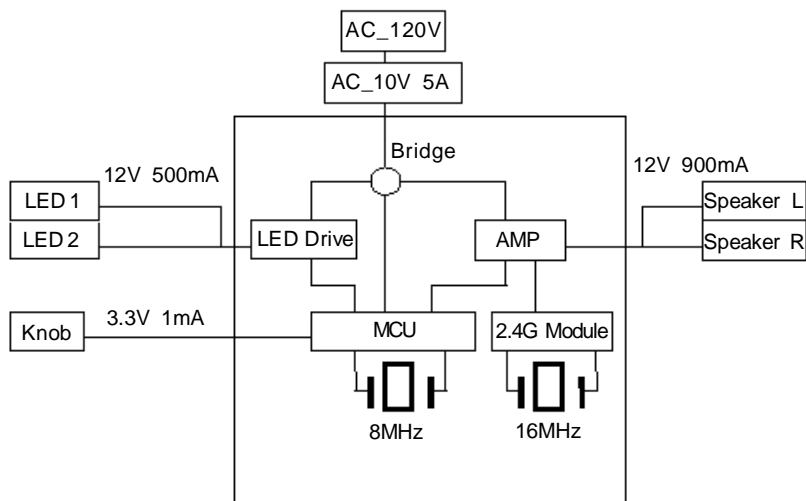
⚠
WARNING
⚠

Should a FLASHBACK fire occur in or around the Burner Tube, follow the instructions below. Failure to comply with these instructions could result in a fire or explosion that could cause serious bodily injury, death, or property damage.

- ⚡ Shut off gas supply to the gas heater.
- ⚡ Turn the Control Knobs to OFF position.
- ⚡ Put out any flame with a Class B fire extinguisher.

Specification and Wiring Diagram for THLS09ALP/NG

AC Power: 10V/5AH



WARNING: If any of the original wiring supplied with the heater needs to be replaced, contact Grand Hall for replacements at:

HEATER INFORMATION CENTER

Call 8am to 4:30pm CST **1-877-934-7455** Monday through Friday

USE AND CARE INSTRUCTIONS



CAUTION



To protect against shock hazard risk, connect only to properly grounded outlet.

ELECTRICAL EQUIPMENT USE

1. To protect against electric shock, do not immerse cord or plugs in water or other liquid.
2. Unplug from the outlet when not in use and before cleaning. Allow to cool before putting on or taking off parts.
3. Do not operate any gas appliance with a damaged cord, plug, or if the appliance has been damaged in any manner or cannot be safely operated. Contact Grand Hall for replacement parts.
4. Do not let the cord hang over the edge of a table or touch hot surfaces.
5. Do not use an outdoor gas appliance for any purposes other than its intended use.
6. When connecting power adapter cord, first connect plug to the outdoor gas appliance then plug appliance into the outlet.
7. Use only a Ground Fault Interrupter (GFI) protected circuit with this outdoor gas appliance.
8. Never remove the grounding plug or use with an adapter of 2 prongs.
9. Use only extension cords with a 3 prong grounding plug, rated for the power of the equipment, and approved for outdoor use with a W-A marking.



WARNING



This appliance, when installed, must be electrically grounded in accordance with local codes or, in the absence of local codes, with the *National Electrical Code, ANSI/NFPA 70*, or the *Canadian Electrical Code, CSA C22.1*.

Keep any electrical supply cord and the fuel supply hose away from any heated surface.



WARNING



To protect against electrical shock, do not immerse electrical cord or plugs in water or expose to rain. Protect electrical elements from heated surfaces.

CLEANING AND MAINTENANCE

Proper care and maintenance will keep your heater in top operating condition and prolong its life. Follow these cleaning procedures on a timely basis and your heater will stay clean and operate with minimum effort.

CAUTION: Be sure your heater is OFF and cool before cleaning.

Cleaning Exterior Painted Surfaces:

- Before initial use, and periodically thereafter, we suggest you wash your heater using a mild soap and warm water solution. You can use a wash cloth or sponge for this process. Do not use a stiff wire or brass brush. These will scratch stainless steel and chip painted surfaces during the cleaning process.


Cleaning Exterior Stainless Steel Surfaces:

- Routine care and maintenance is required to preserve the appearance and corrosion resistance of stainless steel. The fact is stainless steel can corrode, rust and discolor under certain conditions. Rust is caused when regular steel particles in the atmosphere become attached to the stainless steel surface. Steel particles can also become attached to your heater if you use steel wool or stiff wire brushes to clean the heater instead of non-abrasive cloth, sponge or nylon cleaning tools. In coastal areas rust pits can develop on stainless surfaces that cannot be fully removed. Bleach and other chlorine based solutions used for household and pool cleaning can also cause corrosion to stainless steel. Weathering, extreme heat, machine oils used in the manufacturing process of stainless steel can cause stainless steel to turn tan in color. Although there are many factors which can affect the surface appearance of stainless steel, they do not affect the integrity of the steel or the performance of the heater.


- To help maintain the finish of stainless steel follow these cleaning procedures for the best results:

1. After every use (after your heater is unplugged and has cooled down), wipe stainless steel surfaces with a soft, soapy cloth or sponge then rinse with water.
2. Never use abrasive cleaners, scrubbers or stiff wire brushes of any type on your heater.
3. Use a heat resistant Stainless Steel Cleaner and rub or wipe in the direction of the stainless steel grain or polish lines. Do NOT polish against the grain.

Note: You should inspect the heater and connections before each use. You should perform periodic maintenance (refer to Cleaning and Maintenance) on the heater. The heater should be inspected and serviced at least annually by a qualified technician.



WARNING



Failure to comply with these instructions could result in a fire or explosion that could cause serious bodily injury, death or property damage.

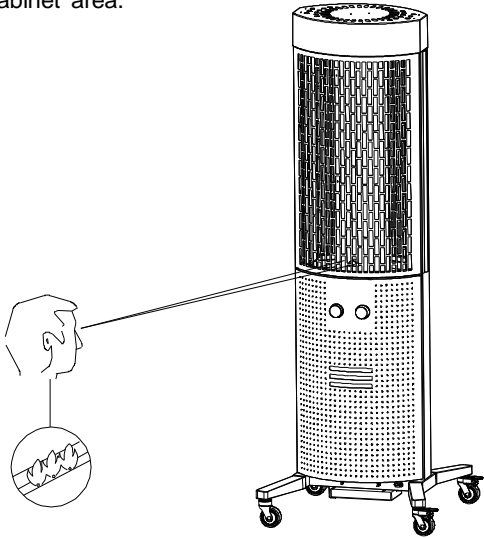
Keep heater area clear and free from combustible materials, gasoline and other flammable vapors and liquids.

Do not obstruct the flow of air for combustion and ventilation.

Keep the ventilation openings of the tank enclosure cabinet free and clear of debris.

Visually check burner flames occasionally to ensure proper flame pattern as shown below.

Never put combustible materials into the heater or in the cabinet area.



Question:

Are the serial and model numbers of my heater listed somewhere for reference?

Answer:

The serial and model numbers are listed on a silver CSA label. This label is located on the Right Stud of the heater cabinet (refer to diagram on page 4).

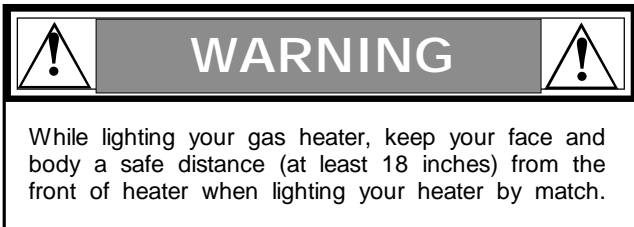
Question:

My heater will not light properly. Why?

Answer:

Air pockets may have formed in your manifold, and are obstructing the flow of gas. Follow this procedure to correct this problem:

1. Turn gas off at source and turn Control Knob OFF. Wait at least 5 minutes for gas to clear, then retry.
2. If your heater still fails to light, turn the Burner Control Knob and gas source OFF and conduct a leak test of ALL gas connections and gas sources as explained in the Use and Care section of this manual.
3. If no leaks are detected, wait 5 minutes for any gas to clear and repeat the lighting procedure.



Question:

Sometimes I hear a humming sound coming from my regulator. What causes this? And - My heater has a low flame and sometimes will not light. Why?

Answer:

The humming sound is gas flowing through the regulator. A low volume of sound is normal and will not interfere with the operation of your heater. Loud or excessive regulator humming and/or low flow and intermittent lighting may be caused by the regulator's excess gas flow device. Opening the tank valve all the way or too quickly is what triggers the regulator's safety device to restrict gas flow, preventing excess gas flow to your heater. Note: This procedure should be done every time a new LP Gas tank is connected to your heater.

- Turn all Control Knob to the OFF position.
- Turn off the LP Gas tank at the tank valve. For Natural Gas shut off NG valve.
- Disconnect regulator from LP Gas tank. For Natural Gas disconnect regulator from 12 ft. Natural Gas Hose.
- Let unit stand for 5 minutes.
- Reconnect regulator to the LP Gas tank. For Natural Gas reconnect regulator to 12 ft. Natural Gas Hose.
- Turn the tank valve slowly ¼ of one turn. For Natural Gas open Shut Off valve.
- Light Burner.
- Turn the tank valve slowly one more ¼ of one turn for ½ of one complete turn.
- Do not turn tank valve more than ½ of one turn on LPG models.

Question:

Where do I use my heater for safer operation and better performance?

Answer:

- Strong winds and low temperatures can affect the heating and performance of your gas heater so factor in these elements when positioning your heater outdoors.
- In windy conditions, always position the front of the heater to face oncoming wind to reduce heat and smoke blowing in your face, and to prevent potential hazards to yourself and the heater.
- Use your heater at least 3 feet away from any wall or surface.
- Use your heater at least 3 feet away from any combustible objects than can melt or catch fire such as vinyl or wood siding, fences, overhangs or any other sources of ignition; including pilot lights and live electrical appliances.
- Never** use your gas heater in a garage, porch, shed, breezeway or any other enclosed area.
- Never** obstruct the flow of ventilation air around your gas heater housing.

Question:

The Regulator and Hose supplied with my gas heater does not fit the older LP Gas tank I've used for years. Why not?

Answer:

The U.S. Government regulates gas appliances and LP Gas tanks. When regulations are changed the LP Gas tank fittings are altered to insure compliance. If your LP Gas tank does not fit the Regulator and Hose supplied with your new heater, the tank is outdated and must be replaced. Note: Effective April 1, 2002 all LP Gas tanks sold must include an "OPD" Overfill Prevention Device. The OPD tanks are identified by their triangular-shaped valve wheel. This internal device prevents the LP Gas tank from being overfilled. Tanks without an OPD valve can not be refilled.

Question:

What causes heater parts to rust and what effect does it have on my heater?

Answer:

Rusting is a natural oxidation process and will not affect the short term performance of your heater.

Routine care and maintenance is required to preserve the appearance and corrosion resistance of stainless steel. The fact is stainless steel can corrode, rust and discolor under certain conditions. Rust is caused when regular steel particles in the atmosphere become attached to the stainless steel surface. Steel particles can also become attached to your heater if you use steel wool or stiff wire brushes to clean the heater instead of non-abrasive cloth, sponge or nylon cleaning tools. In coastal areas rust pits can develop on stainless surfaces that cannot be fully removed. Bleach and other chlorine based solutions used for household and pool cleaning can also cause corrosion to stainless steel.

Weathering, extreme heat, machine oils used in the manufacturing process of stainless steel can cause stainless steel to turn tan in color. Although there are many factors which can affect the surface appearance of stainless steel, they do not affect the integrity of the steel or the performance of the heater. To help maintain the finish of stainless steel follow these cleaning procedures for the best results:

After every use (after your heater has cooled down), wipe stainless surfaces with a soft, soapy cloth or sponge then rinse with water. Never use abrasive cleaners, scrubbers or stiff wire brushes of any type on your heater. Use a heat resistant Stainless Steel Cleaner and rub or wipe in the direction of the stainless steel grain or polish lines. Do NOT polish against the grain.

Grand Hall Limited Warranty

Grand Hall will warrant to the ORIGINAL PURCHASER of this product that it will be free of defects in material and workmanship for set periods below from the date of purchase when used under normal outdoor use and correct assembly:

Full Warranty on Heater - 1 Year (except for paint loss, rusting, and igniter battery)

All Electrical Components - 1 Year Limited Warranty

All Other Heater Parts/Components - 2 Year Limited Warranty

Grand Hall will require reasonable proof of your date of purchase. Therefore, you should send in the owner registration card or register online at www.grandhall.com. Save your receipt in case it is required as proof of purchase.

This Limited Warranty is limited to replacement of parts at Grand Hall's option that proved to be defective under normal use and service.

Grand Hall may require the return of defective parts for examination before issuing replacement parts. If you are required to return defective parts, shipping charges must be prepaid. No returns will be accepted without prior authorization from Grand Hall.

Upon examination and to Grand Hall's satisfaction, if the original part is proven defective, Grand Hall may approve your claim and elect to replace such parts without charge. You will be charged for shipping and handling of the replacement parts.

This Warranty does not cover any failures or operating difficulties due to accident, abuse, misuse, alteration, misapplication, vandalism, improper installation, maintenance, operation or service, as set out in the Operator's Manual.

This Warranty does not cover cosmetic wear and tear such as scratches, dents, corrosion or discoloration caused by weather, heat, chemicals, paint loss, or surface rust. Deterioration or damage due to severe weather conditions such as hail, hurricanes, earthquakes, tsunami, tornadoes, Act of God or terrorism is not covered by this Limited Warranty.

To Obtain Warranty:

Call 1-877-934-7455

8am - 4:30pm CST

Warranty Restrictions

- This Warranty is non-transferable and is void if product is used for commercial or rental purposes.
- This Warranty applies only when the product is used in the United States or Canada.
- This Warranty gives you specific legal rights, and you may also have other rights which vary from state to state.

Manufacturer:

Grand Hall Enterprise Co., Ltd.

9th Fl., No.298, Rueiguang Rd., Neihu,
Taipei, Taiwan (114)