

This Owner's Manual is provided and hosted by [Appliance Factory Parts](#).



# Charbroil 18202077 Owner's Manual

[Shop genuine replacement parts for Charbroil  
18202077](#)

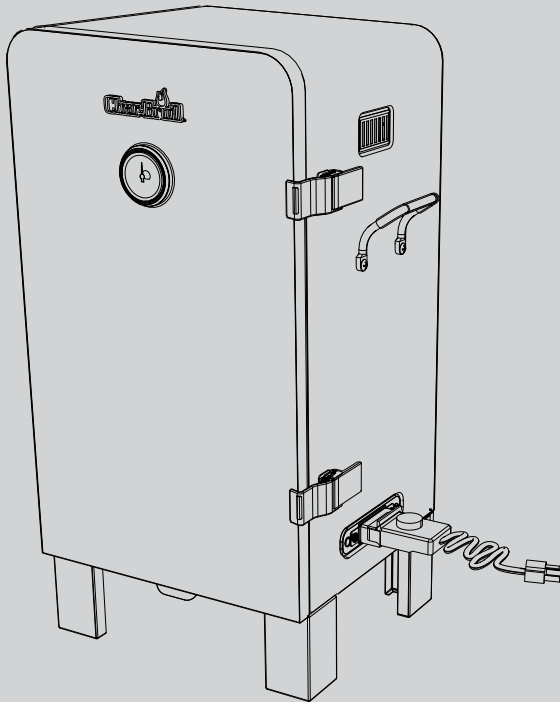


[Find Your Charbroil Grill Parts - Select From 3592 Models](#)

----- Manual continues below -----



## ANALOG ELECTRIC SMOKER



**FOR OUTDOOR USE ONLY  
POUR USAGE EN MILIEU EXTÉRIEUR UNIQUEMENT  
ESTE JUEGO SÓLO SE PUEDE USAR EXTERIORS**

---

MODEL **18202077**  
MODÈLE  
MODELO

---

DATE PURCHASED  
DATE D'CHAT  
FECHA DE COMPRA

-----

---

### TOOLS REQUIRED FOR ASSEMBLY:

- Phillips Screwdriver

### HERRAMIENTAS NECESARIAS PARA EL MONTAJE:

- Destornillador Phillips

### OUTILS REQUIS POUR L'ASSEMBLAGE:

- Tournevis Phillips

Use only with GFI (Ground Fault Interrupter) protected circuit.  
Use sólo con GFI (interruptor de fallo de tierra) del circuito protegido.  
Utiliser uniquement avec GFI (Interruptor de défaut de tierra) circuit protégé.



If you have questions or need assistance during assembly, please call 1-800-241-7548  
Si vous avez des questions ou besoin d'aide pendant l'assemblage, S'il vous plaît appelez 1-800-241-7548  
Si tiene alguna pregunta o si Necesita ayuda durante el Ensamblado, llámenos Al 1-800-241-7548

## TABLE OF CONTENTS

Product Record Information . . . . .	1
Safety Warnings . . . . .	2-5
Limited Warranty . . . . .	6
Parts List . . . . .	17
Parts Diagram . . . . .	20
Hardware List . . . . .	21
Assembly . . . . .	22-25
Troubleshooting . . . . .	26
Registration Card . . . . .	31

### INSTALLER/ASSEMBLER:

Leave this manual with consumer.

### CONSUMER:

Keep this manual for future reference.

**This instruction manual contains important information necessary for the safe use of the appliance.**

**Follow all warnings and instructions when using the appliance.**

### Safety Symbols

The symbols and boxes shown below explain what each heading means. Read and follow all of the messages found throughout the manual.



**DANGER:** Indicates an imminently hazardous situation which, if not avoided, will result in death or serious injury.



**WARNING:** Indicates an potentially hazardous situation which, if not avoided, could result in death or serious injury.



**CAUTION:** Indicates a potentially hazardous situation or unsafe practice which, if not avoided, may result in minor or moderate injury.



**For residential use only. Do not use for commercial cooking.**

## IMPORTANT SAFEGUARDS

**When using electrical appliances, basic safety precautions should always be followed including the following:**

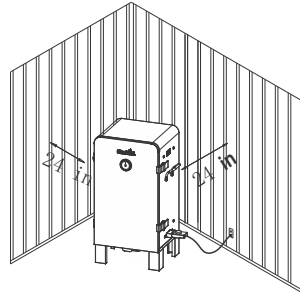
### READ ALL INSTRUCTIONS

- Do not touch hot surfaces. Use handles or knobs.
- To protect against electrical shock, do not immerse cord, plugs, controller or heating element in water or any other liquid.
- Close supervision is necessary when any appliance is used by or near children.
- Unplug from outlet when not in use and before cleaning. Allow to cool before putting on or taking off parts.
- Do not operate any appliance with a damaged cord or plug or after the appliance malfunctions or has been damaged in any manner.
- The use of accessory attachments not recommended by the appliance manufacturer may cause injuries.
- Do not let cord hang over edge of table or counter, or touch hot surfaces.
- Do not place on or near a hot gas or electric burner, or in a heated oven.
- Extreme caution must be used when moving an appliance containing hot oil or other hot liquids.
- Do not use appliance for other than intended use.
- Use only with GFI (Ground Fault Interrupter) protected circuit.
- To prevent smoker from being splashed or falling into water, do not use smoker within 10 feet of a pool, pond or other body of water.
- Keep smoker and electric controller dry and out of rain at all times.
- When connecting controller to smoker, plug electric controller into smoker first, make sure controller is set to OFF position, then plug into outlet. When unplugging, turn controller to OFF position, disconnect from outlet, then remove controller from smoker.
- Unplug smoker when not in use and before moving.
- Never remove grounding plug or use with an adapter to two prongs.
- Keep electric plugs off ground and dry.
- Store controller indoors when not in use.
- Do not use water or other liquid spray to clean product without first unplugging electric controller and removing heating element.
- Fuel, such as charcoal briquettes, is not to be used with appliance.
- Use only on properly grounded outlet.

### SAVE THESE INSTRUCTIONS

## General Safety

1. Do not touch hot surfaces with unprotected hands. Use handles and knobs provided for operation.
2. Never leave smoker unattended when ON.
3. Keep children away from smoker both when hot and cold.
4. Use long barbecue utensils for cooking.
5. Allow smoker to cool before moving, cleaning or storing.
6. Do not cook under a roof.
7. Keep smoker 24" (2 feet) away from walls and rails.
8. For outdoor household use only. Do not use indoors or for commercial cooking.
9. Do not use or store gasoline, kerosene or other flammable liquids within 20 feet of this smoker when in use.
10. Store smoker in weather protected area or under smoker cover when not in use and electric controller indoors when not in use.
11. Use only accessory attachments recommended by manufacturer.
12. It is the responsibility of the assembler/owner to assemble, install and maintain smoker.



## Use and Care of Your Smoker

### Before first use of smoker:

- Remove all packaging and sale labels from the smoker. Do not use sharp tools to remove stickers.
- Wash cooking grate with warm soapy water, rinse and dry thoroughly.

### Before each use of smoker:

- Use smoker only on a firm and level surface to prevent tipping over.
- To prevent household circuit breakers from tripping, keep electric controller dry and do not use other electrical products on the same circuit.
- Check grease tray to make sure it is empty and is mounted under the drain hole.
- For stick-free cooking, apply a thorough coating of vegetable oil or vegetable oil based spray to the cooking grate.

### Turn smoker on:

- Ensure electrical controller is turned fully counterclockwise to the off position.
- Plug power supply cord into a properly grounded, GFI protected outlet. If extension cord must be used refer to "Extension Cord Use and Safety" on page 3. With controller fully seated in smoker, turn knob clockwise. Indicator light should come on.

	<b>WARNING</b>	
<b>Do not use 16 or 18 gauge extension cords. Damage to household wiring and/or fire could result.</b>		

### Extension Cord Use and Safety



For best smoker performance use of extension cord is **not** recommended.



#### If you must use an extension cord for your safety:

- Use only outdoor type with 3 prong grounding plug, rated for 15 amperes or more, approved by UL, marked with a W-A and a tag stating "Suitable for Use with Outdoor Appliance".
- Use the shortest length extension cord required. Do not connect 2 or more extension cords together. A 12 or 14 gauge extension cord of 50 ft. or less is acceptable.
- Keep connections dry and off ground.
- Do not let cord hang over edge of table top or other items where it can be pulled by children or tripped over.

### Ground Fault Interrupter

- Since 1971 the National Electric Code (NEC) has required Ground Fault Interrupter devices on all outdoor circuits.
- If your residence was built before 1971, check with a qualified electrician to determine if a Ground Fault Interrupter protector exists.
- Do not use this appliance if the circuit does not have GFI protection.
- Do not plug this appliance into an indoor circuit.

	<b>WARNING</b>	
<ul style="list-style-type: none"><li>• Failure to follow all manufacturer's instructions could result in serious personal injury and/or property damage.</li><li>• Use care when operating your smoker.</li><li>• Read and follow all the information and safeguards in this product guide before attempting to assemble or operating this smoker.</li></ul>		

	<b>CAUTION</b>	
Do not use sharp or pointed tools to clean smoker.		
Do not use abrasive oven cleaners, steel wool or metal brushes to clean porcelain grates or smoker body. They will damage the finish.		
Replace damaged part(s) only with Char-Broil certified replacement parts. Do not attempt to repair damaged parts.		

### Safety Tips

- If you have an appliance problem see the "Troubleshooting Section".
- Clean smoker often, preferably after each cookout. If a bristle brush is used to clean any of the smoker cooking surfaces, ensure no loose bristles remain on cooking surfaces prior to smoking. It is not recommended to clean cooking surfaces while smoker is hot.



## DANGER



In case of fire turn controller to **OFF** position, unplug smoker from outlet and allow fire to burn out. Do not use water to put out a fire in this or another electrical appliance.

To avoid electrical shock disconnect electric cord and remove electric controller before removing heating element and cleaning smoker. Never immerse electric controller or heating element in any liquid.

To avoid the possibility of burns be sure smoker is cool before removing and/or cleaning electric controller and heating element.

### Turn smoker off:

- Turn controller knob fully counterclockwise to OFF position.
- Unplug cord from outlet.
- Remove controller from smoker **and store indoors.**

### Cleaning electrical controller and heating element bracket:

- Clean controller case by wiping with a damp cloth using a mild detergent or hot soapy water.
- It is not necessary to clean the heating element. However, the element bracket may be cleaned with a damp cloth using a mild detergent or hot soapy water.
- Dry electrical controller and heating element before use.

### Cleaning your smoker:

- Excess build up of burned grease and food particles will reduce the smoker's cooking performance. To obtain optimum performance.

- Best results are obtained by brushing particle buildup downward and through drain hole in bottom of smoker.

- Clean cooking grates regularly with warm soapy water or a baking soda and water solution. Use non-abrasive scouring powder for stubborn stains. If a bristle brush is used to clean any of the smoker cooking surfaces, ensure no loose bristles remain on cooking surfaces prior to smoking. It is not recommended to clean cooking surfaces while smoker is hot.

### Storing your smoker:

- Clean cooking grate.
- Remove electric controller from smoker. **Store controller indoors.**
- Store smoker in weather protected area or under smoker cover when not in use.

**DO NOT USE CHARCOAL.** A charcoal fire will result and the smoker is not designed for charcoal. The fire will create an unsafe condition and damage the smoker.



## WARNING



### For Safe Use of Your appliance and to Avoid Serious Injury:

- The use of alcohol, prescription or non-prescription drugs may impair the consumer's ability to properly assemble or safely operate the appliance.
- When cooking, the appliance must be on a level, stable surface in an area clear of combustible material.
- Do not leave appliance unattended. Keep children and pets away from the appliance at all times.
- Do not move the appliance when in use.
- This appliance is not intended for and should never be used as a heater.
- This appliance will be hot during and after use. Use insulated oven mitts or gloves and long-handled barbecue utensils for protection from hot surfaces or splatter from cooking liquids.
- Keep appliance area clear and free from materials that burn.
- Keep appliance area clear and free from combustible materials, gasoline and other flammable vapors and liquids.
- Use appliance only in well-ventilated space.

### Apartment Dwellers:

Check with management to learn the requirements and fire codes for using an electric smoker in your apartment complex. Use only as allowed.



## WARNING



### CALIFORNIA PROPOSITION 65

1. Combustible by-products produced when using this product contains chemicals known to the State of California to cause cancer, birth defects, or other reproductive harm.
2. This product contains chemicals, including lead and lead compounds, known to the State of California to cause cancer, birth defects or other reproductive harm.

***Wash your hands after handling this product.***

## Food Safety

Food safety is a very important part of enjoying the outdoor cooking experience. To keep food safe from harmful bacteria, follow these four basic steps:

**Clean:** Wash hands, utensils, and surfaces with hot soapy water before and after handling raw meat and poultry.

**Separate:** Separate raw meats and poultry from ready-to-eat foods to avoid cross contamination. Use a clean platter and utensils when removing cooked foods.

**Cook:** Cook meat and poultry thoroughly to kill bacteria. Use a thermometer to ensure proper internal food temperatures.

**Chill:** Refrigerate prepared foods and leftovers promptly.

**For more information call: USDA Meat and Poultry Hotline at 1-888-MPHOTLINE (888-674-6854) In Washington, DC**

**Or E-mail: [mph hotline.fsis@usda.gov](mailto:mph hotline.fsis@usda.gov)**

**Or visit the USDA website at [www.fsis.usda.gov](http://www.fsis.usda.gov)**

## How To Tell If Meat Is Cooked Thoroughly

- Meat and poultry cooked in the appliance often browns very fast on the outside. Use only thawed meat and a meat thermometer to be sure food has reached a safe internal temperature, and cut into food to check for visual signs of doneness.
- We recommend food to be at least 40°F before cooking in your appliance.
- Whole poultry should reach 165° F. Juices should run clear and flesh should not be pink.
- Beef, veal and lamb steaks, roasts and pork chops can be cooked to 160° F.
- NEVER partially cook meat or poultry and finish cooking later. Cook food completely to destroy harmful bacteria.
- Use a meat thermometer to ensure proper internal food temperatures.

USDA Recommended Internal Cooking Temperatures	
<b>Ground Meat</b>	
Beef, Pork, Veal, Lamb.....	160°F
Turkey, Chicken.....	165°F
<b>Fresh Beef, Veal, Lamb</b>	
Medium Rare.....	145°F
(let stand 3 minutes before cutting)	
Medium.....	160°F
Well Done.....	170°F
<b>Poultry</b>	
Chicken & Turkey, whole.....	165°F
Poultry Parts.....	165°F
Duck & Goose.....	165°F
<b>Fresh Pork</b>	
Medium Rare.....	145°F
(let stand 3 minutes before cutting)	
Medium.....	160°F
Well Done.....	170°F

## LIMITED WARRANTY

This warranty only applies to units purchased from an authorized retailer. Manufacturer warrants to the **original consumer-purchaser** only that this product shall be free from defects in workmanship and materials after correct assembly and under normal and reasonable home use for the periods indicated below beginning on the date of purchase\*. The manufacturer reserves the right to require that defective parts be returned, postage and or freight pre-paid by the consumer for review and examination.

<u>SCOPE OF COVERAGE</u>	<u>PERIOD OF COVERAGE</u>	<u>TYPE OF FAILURE COVERAGE</u>
All Parts	1 year from date of purchase*	PERFORATION, MANUFACTURING, AND MATERIAL DEFECTS ONLY

\*Note: A dated sales receipt WILL be required for warranty service.

**The original consumer-purchaser will be responsible for all shipping charges for parts replaced under the terms of this limited warranty.**

This limited warranty is applicable in the United States and Canada only, is only available to the original owner of the product and is not transferable. **Manufacturer requires proof of your date of purchase. Therefore, you should retain your sales slip or invoice.** Registering your product is not a substitute for proof of purchase and the manufacturer is not responsible for or required to retain proof of purchase records.

This limited warranty applies to the functionality of the product ONLY and does not cover cosmetic issues such as scratches, dents, corruptions or discoloring by heat, abrasive and chemical cleaners or any tools used in the assembly or installation of the appliance, surface rust, or the discoloration of stainless steel surfaces. Paint is not warranted and will require touch up. **RUST is not considered a manufacturing or materials defect.**

**This limited warranty will not reimburse you for the cost of any inconvenience, food, personal injury or property damage.**

### ITEMS MANUFACTURER WILL NOT PAY FOR:

1. Shipping cost, standard or expedited, for warranty and replacement parts.
2. Service calls to your home.
3. Repairs when your product is used for other than normal, single-family household or residential use.
4. Damage, failures, or operating difficulties resulting from accident, alteration, careless handling, misuse, abuse, fire, flood, acts of God, improper installation or maintenance, installation not in accordance with electrical or plumbing codes, or use of products not approved by the manufacturer.
5. Any food loss due to product failures or operating difficulties.
6. Replacement parts or repair labor costs for units operated outside the United States or Canada.
7. Pickup and delivery of your product.
8. Repairs to parts or systems resulting from unauthorized modifications made to the product.
9. The removal and/or reinstallation of your product.

### DISCLAIMER OF IMPLIED WARRANTIES and LIMITATION OF REMEDIES

Repair or replacement of defective parts is your exclusive remedy under the terms of this limited warranty. In the event of parts availability issues, the manufacturer reserves the right to substitute like or similar parts that are equally functional.

Manufacturer will not be responsible for any consequential or incidental damages arising from the breach of either this limited warranty or any applicable implied warranty, or for failure or damage resulting from acts of God, improper care and maintenance, grease fire, accident, alteration, replacement of parts by anyone other than Manufacturer, misuse, transportation, commercial use, abuse, hostile environments (inclement weather, acts of nature, animal tampering), improper installation or installation not in accordance with local codes or printed manufacturer instructions.

THIS LIMITED WARRANTY IS THE SOLE EXPRESS WARRANTY GIVEN BY THE MANUFACTURER. NO PRODUCT PERFORMANCE SPECIFICATION OR DESCRIPTION WHEREVER APPEARING IS WARRANTED BY MANUFACTURER EXCEPT TO THE EXTENT SET FORTH IN THIS LIMITED WARRANTY. ANY IMPLIED WARRANTY PROTECTION ARISING UNDER THE LAWS OF ANY STATE, INCLUDING IMPLIED WARRANTY OF MERCHANTABILITY OR FITNESS FOR A PARTICULAR PURPOSE OR USE, IS HEREBY LIMITED IN DURATION TO THE DURATION OF THIS LIMITED WARRANTY.

**Neither dealers nor the retail establishment selling this product has any authority to make any additional warranties or to promise remedies in addition to or inconsistent with those stated above.** Manufacturer's **maximum liability**, in any event, shall not exceed the purchase price of the product paid by the original consumer.

NOTE: Some states do not allow an exclusion or limitation of incidental or consequential damages, so some of the above limitations or exclusions may not apply to you. This limited warranty gives you specific legal rights as set forth herein. You may also have other rights which vary from state to state. In the state of California only, if refinishing or replacement of the product is not commercially practicable, the retailer selling this product or the Manufacturer will refund the purchase price paid for the product, less the amount directly attributable to use by the original consumer-purchaser prior to discovery of the nonconformity. In addition, in the state of California only, you may take the product to the retail establishment selling this product in order to obtain performance under this limited warranty.

**If you wish to obtain performance of any obligation under this limited warranty, you should write to:**

**Consumer Relations  
P. O. Box 1240  
Columbus, GA 31902-1240**

Consumer returns will not be accepted unless a valid Return Authorization is first acquired. Authorized returns are clearly marked on the outside of the package with an RA number and the package is shipped freight/postage pre-paid. Consumer returns that do not meet these standards will be refused.

WS\_1 Rev05

## TABLE DES MATIÈRES

Renseignements relatifs à la garantie .....	1
Avertissements de sécurité .....	7-10
Garantie limitée. ....	11
Liste des pièces.....	18
Diagramme des pièces .....	20
Liste de matériel.....	21
Assemblée. ....	22-25
Dépannage. ....	27
Carte d'enregistrement.....	31

## A LA PERSONA QUE INSTALE O ARME ESTE APARATO:

Deje este manual al cliente.

### AL CONSUMIDOR:

Conserve este manual para que lo pueda consultar en el futuro.

**«Cette notice contient des renseignements importants permettant pour utilisation sécuritaire de l'appareil»**

**«Suivre toutes les mises en garde et toutes les instructions lors de l'utilisation de l'appareil.»**

### Symboles de sécurité

Vous trouverez ci-dessous une explication de la signification de chaque symbole. Lisez et respectez toutes les consignes qui apparaissent partout dans le présent guide.



## DANGER

**DANGER** : indique une situation dangereuse imminente qui, si elle n'est pas évitée, entraînera la mort ou des blessures graves.



## AVERTISSEMENT

**AVERTISSEMENT** : indique une situation potentiellement dangereuse qui, si elle n'est pas évitée, pourrait entraîner la mort ou des blessures graves.



## ATTENTION

**ATTENTION** : indique une situation potentiellement dangereuse ou une pratique à risque qui, si elle n'est pas évitée, pourrait entraîner des blessures mineures ou modérément graves.



## ATTENTION

**Pour utilisation domestique uniquement. Ne pas utiliser à des fins commerciales.**

## IMPORTANTES CONSIGNES DE SÉCURITÉ

**Lors de l'utilisation d'appareils électriques, il convient de toujours prendre des mesures de précaution de base, telles que les suivantes :**

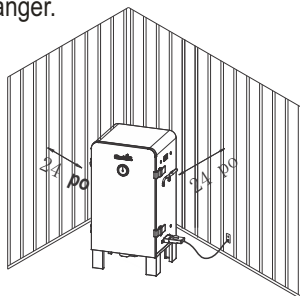
### LISEZ TOUTES LES INSTRUCTIONS

- Ne touchez pas les surfaces chaudes. Servez-vous des poignées ou des boutons.
- Pour vous protéger des chocs électriques, n'immergez ni le cordon d'alimentation, ni les fiches, ni le contrôleur ni l'élément chauffant dans l'eau ou dans tout autre liquide.
- Exercez une surveillance étroite lorsque l'appareil est utilisé par des enfants ou à proximité d'eux.
- Débranchez le cordon de la source de courant lorsque le moteur n'est pas utilisé, ainsi qu'avant de procéder au nettoyage du fumeur. Laissez-le refroidir avant de mettre ou d'enlever des pièces.
- Ne faites pas fonctionner un appareil dont le cordon d'alimentation ou la fiche sont endommagés, qui a connu un dysfonctionnement ou qui a été endommagé de quelque manière que ce soit. Renvoyez l'appareil au centre de service à la clientèle agréé le plus proche afin de le faire examiner, réparer ou ajuster. Appelez le centre de service pour fumeurs afin d'obtenir le remplacement d'un cordon d'alimentation ou d'un contrôleur.
- L'utilisation d'accessoires qui ne sont pas recommandés par le fabricant de l'appareil peut causer des blessures.
- Ne laissez pas le cordon d'alimentation pendre de la table ou du comptoir, et ne le laissez pas entrer en contact avec des surfaces chaudes.
- Ne placez pas l'appareil sur un brûleur à gaz ou à électricité chaud ou dans un four chauffé.
- Il convient d'user d'une extrême précaution lorsqu'on déplace un appareil qui contient de l'huile chaude ou d'autres liquides chauds.
- N'utilisez pas cet appareil à des fins autres que celles auxquelles il est destiné.
- N'utilisez ce fumeur qu'avec un circuit protégé par un interrupteur.
- Pour empêcher le fumeur d'être éclaboussé ou de tomber dans l'eau, ne l'utilisez pas à moins de 3 mètres (10 pieds) d'une piscine, d'un étang ou d'un autre plan d'eau.
- Gardez le fumeur et le contrôleur secs et à l'abri de la pluie à tout moment.
- Lorsque vous branchez le contrôleur du fumeur, branchez d'abord le contrôleur sur le fumeur, assurez-vous que le contrôleur est en position d'arrêt (OFF), puis branchez-le dans la prise électrique. Lors du débranchement, mettez le contrôleur en position d'arrêt (OFF), débranchez-le de la prise, puis enlevez le contrôleur du fumeur.
- Débranchez le fumeur lorsqu'il n'est pas utilisé et avant de le déplacer.
- N'enlevez jamais la fiche de mise à la terre et n'utilisez jamais le fumeur avec un adaptateur à deux broches.
- Gardez les fiches électriques sèches et au-dessus du sol.
- Rangez le contrôleur à l'intérieur lorsque vous ne l'utilisez pas.
- Ne vaporisez pas d'eau ou d'autre produit liquide pour nettoyer l'appareil sans avoir auparavant débranché le contrôleur électrique et avoir enlevé l'élément chauffant.
- Il convient de ne pas utiliser de combustible tel que des briquettes de charbon de bois avec cet appareil.
- Ne l'alimentez qu'avec une prise correctement mise à la terre.

**CONSERVEZ CES INSTRUCTIONS**

## Consignes générales de sécurité

1. Ne touchez pas les surfaces chaudes avec les mains nues. Utilisez les poignées et les boutons fournis pour faire fonctionner le fumeur.
2. Ne laissez jamais le fumeur sans surveillance lorsqu'il est ALLUMÉ.
3. Gardez les enfants à l'écart du fumeur, qu'il soit froid ou chaud.
4. Utilisez des ustensiles de barbecue à long manche pour la cuisson.
5. Laissez refroidir le fumeur avant de le déplacer, de le nettoyer ou de le ranger.
6. Ne faites pas cuire sous un toit.
7. Gardez une distance minimale de 24 po (2 pi) entre le fumeur et les murs ou les rampes.
8. Pour usage à l'extérieur uniquement. Ne l'utilisez pas à l'intérieur ou à des fins commerciales.
9. N'entreposez pas d'essence, de kérosène ou d'autres liquides inflammables à moins de 20 pieds de ce fumeur lorsqu'il est utilisé.
10. Rangez le fumeur à l'abri des intempéries ou sous la housse lorsque vous ne l'utilisez pas, et rangez le contrôleur électrique à l'intérieur lorsque vous ne l'utilisez pas.
11. N'utilisez que les accessoires recommandés par le fabricant.
12. Il incombe à l'installateur ou au propriétaire d'assembler, d'installer et d'entretenir le fumeur à gaz.



## Utilisation et entretien de votre fumeur

### Avant la première utilisation du fumeur :

- Enlevez tout emballage et toute étiquette du fumeur. N'utilisez pas d'outils pointus pour enlever les étiquettes autocollantes.
- Lavez la fumeurle de cuisson avec de l'eau chaude savonneuse, rincez et séchez à fond.

### Avant chaque utilisation du fumeur :

- N'utilisez le fumeur que sur une surface solide et horizontale pour éviter qu'il ne bascule.
- Pour que les coupe-circuits de la maison ne se déclenchent pas, gardez le contrôleur électrique sec et n'utilisez aucun autre appareil électrique sur le même circuit.
- Vérifiez que le récipient à graisse est vide et qu'il est fixé sous le trou d'écoulement.
- Pour une cuisson sans adhésion, appliquez une bonne couche d'huile végétale ou d'huile végétale en aérosol sur la fumeurle de cuisson. Si une brosse avec soies est employée pour nettoyer les surfaces de cuisson du fumeur, assurez-vous qu'aucune soie ne reste sur les surfaces avant de procéder à la cuisson. Il est déconseillé de nettoyer les surfaces de cuisson alors que le fumeur est chaud.

### Mise en marche du fumeur :

- Assurez-vous que le contrôleur électrique est tourné jusqu'au bout dans le sens antihoraire, jusque sur la position d'arrêt (**OFF**).
- Branchez le cordon d'alimentation dans une prise correctement mise à la terre, protégée avec un interrupteur de défaut à la terre (GFI). Si l'utilisation d'une rallonge électrique est nécessaire, se reporter à la section « Utilisation de la rallonge électrique et sécurité » à la page 3.
- Lorsque le contrôleur est bien installé dans le fumeur, tournez le bouton dans le sens horaire. Le voyant devrait s'allumer.



Ne pas utiliser de rallonges électriques de calibre 16 ou 18. Des dommages au câblage de la maison ou un incendie pourraient s'ensuivre.

### Utilisation d'une rallonge électrique et sécurité

- Pour obtenir le meilleur rendement du fumeur, l'utilisation d'une rallonge électrique **n'est pas** recommandée.

#### Si vous devez utiliser une rallonge électrique, voici ce que vous devez faire pour assurer votre sécurité :

- N'utilisez que les rallonges conçues pour un emploi à l'extérieur et équipées d'une prise à 3 broches avec mise à la terre, d'une capacité nominale de 15 ampères ou plus. La rallonge doit être homologuée UL et doit comprendre une étiquette précisant que le dispositif « Convient à un appareil électrique conçu pour utilisation à l'extérieur ».
- Utilisez la rallonge électrique la plus courte possible. Ne branchez pas deux rallonges électriques ou plus à la suite l'une de l'autre. Une rallonge électrique de calibre 12 ou 14, d'une longueur maximale de 50 pi, est acceptable.
- Les connexions doivent demeurer sèches et à distance du sol.
- Ne laissez aucune rallonge électrique pendre sur le bord d'une table ou d'un autre objet où elle est susceptible de faire trébucher quelqu'un ou d'être tirée par des enfants.

### Interrupteur de défaut à la terre

- Depuis 1971, le Code national de l'électricité et Code Canadien de l'Electricité (CEC) exige l'installation d'interrupteurs de défaut à la terre sur tous les circuits extérieurs.
- Si votre résidence a été construite avant 1971, consultez un électricien qualifié afin de déterminer si une telle protection existe.
- N'utilisez pas cet appareil si le circuit n'est pas protégé par un interrupteur de défaut à la terre.
- Ne branchez pas cet appareil dans un circuit intérieur.



- Omettre de suivre toutes les instructions du fabricant pourrait causer des blessures graves ou des dommages matériels.
- Usez de prudence lorsque vous utilisez votre fumeur.
- Assurez-vous de lire et de comprendre l'ensemble des renseignements et des consignes de sécurité dans ce manuel avant d'utiliser ce fumeur.



N'utilisez pas d'outils pointus ou coupants pour nettoyer le fumeur. De tels outils de nettoyage peuvent abîmer ou percer la cuvette isolante.

N'utilisez pas de produits de nettoyage abrasifs pour le four, pas de laine d'acier et pas de brosses en métal pour nettoyer les fumeurles en porcelaine ou la structure du fumeur. Ces outils endommageront le fini.

Ne remplacez les cuvettes isolantes endommagées qu'avec des pièces de rechange certifiées par Char-Broil. N'essayez pas de réparer les pièces endommagées.

### Consignes de sécurité

- En cas de problème avec l'appareil, consultez la rubrique « Dépannage ».
- Nettoyez souvent le fumeur, de préférence après chaque utilisation. Si une brosse avec soies est employée pour nettoyer les surfaces de cuisson du fumeur, assurez-vous qu'aucune soie ne reste sur les surfaces de cuisson avant de procéder à la cuisson. Il est déconseillé de nettoyer les surfaces de cuisson alors que le fumeur est chaud.

# **DANGER**

En cas de feu, mettez le contrôleur en position d'ARRÊT, débranchez le fumeur et laissez le feu s'éteindre de lui-même. N'utilisez pas d'eau pour éteindre un feu dans un appareil électrique, y compris celui-ci.

Pour éviter les chocs électriques, débranchez le cordon électrique et enlevez le contrôleur électrique avant d'enlever l'élément chauffant et de nettoyer le fumeur. Ne plongez jamais le contrôleur électrique ou l'élément chauffant dans un liquide.

Pour éviter les brûlures, assurez-vous que le fumeur a refroidi avant d'enlever ou de nettoyer le contrôleur électrique ou l'élément chauffant.

## **Pour éteindre le fumeur :**

- Tournez le bouton du contrôleur jusqu'au bout dans le sens antihoraire, jusque sur la position d'arrêt (OFF).
- Débranchez le cordon de la prise.
- Enlevez le contrôleur du fumeur et rangez-le à l'intérieur.

## **Nettoyage du contrôleur électrique et du support de l'élément chauffant :**

- Nettoyez le boîtier du contrôleur en l'essuyant au moyen d'un chiffon humecté avec un détergent doux ou de l'eau chaude savonneuse.
- Il n'est pas nécessaire de nettoyer l'élément chauffant. Toutefois, le support de l'élément peut être nettoyé au moyen d'un chiffon humecté avec un détergent doux ou de l'eau chaude savonneuse.
- Séchez le contrôleur électrique et l'élément chauffant avant d'utiliser le fumeur.

## **Nettoyage du fumeur :**

L'accumulation de graisse brûlée et de particules de nourriture diminuera le rendement du fumeur. Pour obtenir le meilleur rendement possible :

- Nettoyez la cuvette isolante inférieure au moins une fois par saison, plus souvent si le fumeur est utilisé fréquemment.  
**Remarque :** la cuvette deviendra plus foncée avec l'âge. N'essayez pas de rétablir une apparence d'aluminium luisant en la nettoyant.
- En utilisant un détergent doux ou de l'eau chaude savonneuse, frottez modérément la surface de la cuvette isolante inférieure à l'aide d'une brosse à poils en plastique ou en laiton.
- Utilisez de la poudre à récurer non abrasive pour les taches tenaces. Si une brosse avec soies est employée pour nettoyer les surfaces de cuisson du fumeur, assurez-vous qu'aucune soie ne reste sur les surfaces avant de procéder à la cuisson. Il est déconseillé de nettoyer les surfaces de cuisson alors que le fumeur est chaud.

**NE PAS UTILISER DE CHARBON.** Un feu de charbon s'ensuivra, car le gril n'est pas conçu pour utiliser du charbon. L'incendie créera des conditions hasardeuses et endommagera le gril.

# **AVERTISSEMENT**

## **Pour utiliser votre appareil en toute sécurité et pour éviter des blessures graves :**

- La consommation d'alcool ou de médicaments, qu'ils soient en vente libre ou sur ordonnance, peut affecter la capacité de l'utilisateur de l'appareil lors de son installation ou de son utilisation.
- Avant de procéder à la cuisson d'aliments avec l'appareil, celui-ci doit être positionné de niveau sur une surface stable, et ce, dans un endroit libre de tout matériel inflammable.
- Ne laissez pas l'appareil sans surveillance. Gardez les enfants et les animaux à distance de l'appareil en tout temps.
- Ne déplacez pas l'appareil lorsqu'il est en marche.
- Cet appareil n'a pas été conçu pour servir de radiateur.
- L'appareil sera chaud après avoir servi. Utilisez des gants ou des mitaines de cuisine, ainsi que des ustensiles de cuisson au barbecue à long manche comme protection contre les surfaces brûlantes et les éclaboussures de liquides chauds.
- Gardez l'espace autour de l'appareil propre et libre de tout matériel inflammable.
- L'appareil doit être installé dans un endroit libre de matériaux combustibles, d'essence, ainsi que de tout autre gaz ou liquide inflammable.
- Ne vous servez de l'appareil que dans un endroit bien aéré.

## **Résidents d'appartements :**

Renseignez-vous auprès de l'administration pour connaître quelles sont les exigences et les codes d'incendie applicables à l'utilisation d'un fumeur à gaz dans votre immeuble. Utiliser uniquement comme autorisé.

# **AVERTISSEMENT**

## **PROPOSITION 65 DE CALIFORNIE**

- 1. Les sous-produits de combustion libérés lors de l'utilisation de ce produit sont reconnus dans l'État de Californie comme étant susceptibles de causer le cancer, des anomalies congénitales, ou autres dangers relatifs à la reproduction.**
- 2. Ce produit contient des produits chimiques, y compris du plomb et des composés au plomb, reconnus dans l'État de Californie comme susceptibles de causer le cancer, des anomalies congénitales, ou autres dangers relatifs à la reproduction.**

**Lavez-vous les mains après avoir manipulé cet appareil.**

## **Entreposage de votre fumeur :**

- Nettoyez la fumeur de cuisson.
- Retirez l'appareil de contrôle électrique du fumeur. **Entreposez l'appareil de contrôle électrique à l'intérieur.**
- Entreposez le fumeur dans un endroit à l'abri des intempéries ou mettez la housse par dessus lorsqu'il n'est pas utilisé..

### Sécurité alimentaire :

La sécurité alimentaire contribue de façon importante à assurer une expérience agréable lors d'un barbecue en plein air. Pour protéger la nourriture contre les bactéries, respectez les quatre étapes de base suivantes.

**Propreté** : lavez-vous les mains, nettoyez les ustensiles et toutes les surfaces à l'eau chaude savonneuse avant et après avoir manipulé de la viande ou de la volaille crue.

**Séparation** : séparez la viande et la volaille crues des aliments prêts à être consommés afin d'éviter toute contamination entre les aliments. Utilisez un plateau et des ustensiles propres pour servir des aliments cuits.

**Cuisson** : cuisez entièrement la viande et la volaille afin d'éliminer les bactéries. Utilisez un thermomètre pour vous assurer que la nourriture a atteint des températures internes adéquates.

**Réfrigération** : réfrigérez sans tarder les aliments cuits et les restes. Pour de plus amples renseignements, appelez la téléassistance USDA Meat and Poultry Hotline au 1-800-535-4555. À Washington, DC, composez le 202-720-3333, 10 h à 16 h HNE.

### Comment déterminer si la viande est bien cuite

- La viande et la volaille cuites dans l'appareil brunissent souvent très vite en surface. Utilisez un thermomètre pour vous assurer que la nourriture a atteint une température interne adéquate et sécuritaire; ouvrez l'aliment en le coupant pour vous assurer visuellement qu'il est cuit à point. Ne placez que des aliments préalablement décongelés dans l'appareil.
- Nous recommandons que les aliments placés dans l'appareil aient une température d'au moins 40 °F avant de les faire cuire.
- La volaille entière devrait atteindre une température de 165 °F. Les jus qui s'égouttent devraient être transparents, et la chair ne devrait plus être rose.
- Les steaks, les rôtis et les côtelettes de bœuf, de veau et d'agneau peuvent être cuits à 160 °F.
- Ne JAMAIS cuire la viande ou la volaille partiellement pour en terminer la cuisson plus tard. Cuisez les viandes entièrement afin d'éliminer complètement toutes les bactéries dangereuses.
- Utilisez un thermomètre pour vous assurer que la nourriture a atteint des températures internes adéquates.

Recommandées par l'USDA	
Températures de cuisson internes	
<b>Viande hachée</b>	
Bœuf, porc, veau, agneau.....	160 °F
Dinde, poulet.....	165 °F
<b>Bœuf, veau, agneau frais</b>	
Mi-saignant.....	145 °F
(laisser reposer 3 minutes avant de couper)	
À point.....	160°F
Bien cuit.....	170 °F
<b>Volaille</b>	
Poulet et dinde entiers.....	165 °F
Morceaux de volaille.....	165 °F
Canard et oie.....	165 °F
<b>De Porc Fresh</b>	
Mi-saignant.....	145 °F
(laisser reposer 3 minutes avant de couper)	
À point.....	160° F
Bien cuit.....	170 ° F

## GARANTIE LIMITÉE

La présente garantie n'est valide que pour les appareils achetés auprès d'un détaillant autorisé. Le fabricant garantit à l'acheteur initial, et uniquement celui-ci, que le produit est exempt de tout défaut de matériel et de main-d'œuvre, dans la mesure où il a été assemblé correctement, qu'il est utilisé de façon normale et raisonnable à des fins personnelles, et ce, pendant la durée de la période indiquée ci-dessous et commençant le jour de la d'achat du produit\*. Le fabricant se réserve le droit de demander au client que les pièces défectueuses lui soient expédiées, port ou fret prépayé, pour fins d'examen.

Portée de la couverture	Période de couverture	Type de défaillances couvertes
Toutes les parties	1 an à compter de la date d'achat *	Perforation, Défauts de fabrication et de matériel Uniquement

\*Remarque : dans la mesure où le client inscrit le produit et fournit un exemplaire du reçu de caisse ou de la facture portant la date de l'achat, la période de couverture de la garantie sera étendue de façon à commencer à la date d'achat du produit.

**L'acheteur initial assume la responsabilité de l'ensemble des frais d'expédition pour le remplacement de pièces en vertu des modalités de la présente garantie limitée.**

Cette garantie limitée n'est valide qu'aux États-Unis et au Canada; elle n'est en vigueur que pour l'acheteur initial du produit et n'est pas transférable. **Le fabricant exigera une preuve de la date d'achat. Par conséquent, vous devez conserver votre reçu de caisse ou votre facture.** L'enregistrement du produit ne constitue pas une preuve d'achat. Il n'appartient pas au fabricant de tenir un dossier des achats des clients.

La présente garantie limitée vise UNIQUEMENT le fonctionnement du produit et elle ne touche donc pas les questions esthétiques, telles les égratignures, les bosses, la corrosion ou la décoloration causée par la chaleur, des nettoyants abrasifs ou chimiques, quelque outil que ce soit employé lors de l'assemblage ou de l'installation de l'appareil, la rouille en surface, ni la décoloration des surfaces en acier inoxydable. La peinture n'est pas garantie et requiert des retouches. **Rouille n'est pas considéré comme un matériel de fabrication ou de défaut.**

**La présente garantie limitée ne couvre pas le remboursement de frais associés à un inconfort, à une perte de nourriture, à des blessures personnelles ou au bris de biens matériels.**

### ÉLÉMENTS NON REMBOURSÉS PAR LE FABRICANT :

1. Frais d'expédition, service régulier ou accéléré, tant pour une pièce couverte par la garantie que pour une pièce de rechange.
2. Visite d'un réparateur à votre domicile.
3. Les réparations lorsque le produit est employé à des fins autres qu'un usage normal résidentiel pour une seule famille.
4. Des dommages, des défaillances ou des difficultés de fonctionnement découlant d'un accident, d'une modification, d'une manipulation négligente, d'une mauvaise utilisation, du transport, d'un usage abusif, d'un incendie, d'une inondation, d'une catastrophe naturelle, d'une installation ou d'un entretien inadéquats, d'un montage non conforme aux codes de l'électricité et de plomberie en vigueur, ou de l'utilisation de produits non approuvés par le fabricant.
5. Toute perte de nourriture causée par une défaillance du produit ou des difficultés de fonctionnement.
6. Les pièces de rechange ou les coûts de la main-d'œuvre pour un appareil ayant fonctionné hors des États-Unis ou du Canada.
7. Le ramassage et la livraison du produit.
8. La réparation de pièces ou de systèmes suite à des modifications non autorisées apportées au produit.
9. Le démontage ou la réinstallation de l'appareil.

### STIPULATION D'EXONÉRATION DE GARANTIES et LIMITATION DES RECOURS

La réparation ou le remplacement d'une pièce défectueuse constitue votre seul recours en vertu des modalités de la présente garantie limitée. En cas de problèmes de disponibilité des pièces, le constructeur se réserve le droit de remplacer des pièces similaires qui sont également fonctionnels. Le fabricant n'assume aucune responsabilité pour tout dommage consécutif ou accessoire découlant d'une violation soit de la présente garantie soit de toute autre garantie tacite, ou pour une défaillance ou des dommages résultant d'une calamité naturelle, d'un entretien inadéquat, d'un incendie de graisse, d'un accident, d'une modification apportée à l'appareil, du remplacement de pièces par une personne autre que le fabricant, d'un mauvais usage, du transport, d'une utilisation commerciale, d'un usage abusif, de la présence d'environnements hostiles (temps non clément, catastrophes naturelles, altération par les animaux), d'une installation inadéquate ou non conforme aux codes locaux, ou des instructions imprimées du fabricant.

LA PRÉSENTE GARANTIE LIMITÉE CONSTITUE L'UNIQUE GARANTIE EXPLICITE ÉMISE PAR LE FABRICANT. LE FABRICANT NE FORMULE AUCUNE DÉCLARATION NI DESCRIPTION DE RENDEMENT ASSOCIÉE AU PRODUIT, PEU IMPORTE OÙ CELLE-CI POURRAIT FIGURER, SAUF DANS LES ÉNONCÉS DE LA PRÉSENTE GARANTIE LIMITÉE. TOUTE PROTECTION DE GARANTIE TACITE DÉCOULANT DES LOIS D'UN ÉTAT OU D'UNE PROVINCE, Y COMPRIS LES GARANTIES IMPLICITES DE QUALITÉ MARCHANDE OU D'ADAPTATION À UN USAGE OU OBJECTIF PARTICULIER., SE LIMITE À LA DURÉE DE LA PRÉSENTE GARANTIE LIMITÉE.

Ni les représentants commerciaux ni les détaillants vendant l'appareil n'ont l'autorisation de produire une garantie supplémentaire ni de promettre des recours s'ajoutant à ceux mentionnés ci-dessus, qu'ils soient ou non compatibles avec ceux-ci. Dans tous les cas, la responsabilité maximale du fabricant ne pourra dépasser le prix d'achat de l'appareil payé par l'acheteur initial.

REMARQUE : certains États ou certaines provinces n'autorisent pas les exclusions ou les restrictions de dommages consécutifs ou accessoires, de sorte qu'il est possible que certaines des restrictions ou exclusions ci-dessus ne s'appliquent pas à vous. La présente garantie limitée vous donne des droits juridiques spécifiques qui sont exposés aux présentes. Il est possible que vous disposiez d'autres droits qui peuvent varier d'un État et d'une province à l'autre. Dans l'État de Californie uniquement, si la remise en état ou le remplacement du produit n'est pas commercialement possible, le détaillant ayant vendu l'appareil ou le fabricant rembourseront le montant payé par l'acheteur, et déduiront une somme directement proportionnelle à l'utilisation par l'acheteur initial avant la découverte de la non-conformité. De plus, dans l'état de Californie uniquement, vous pouvez rapporter l'appareil au détaillant qui vous a vendu le produit afin de bénéficier des privilèges que vous donne la présente garantie limitée.

Si vous désirez qu'une obligation, quelle qu'elle soit, soit exécutée en vertu de la présente garantie limitée, vous devez écrire à :

**Consumer Relations**  
**P. O. Box 1240**  
**Columbus, GA 31902-1240**

Les retours de marchandise des clients ne seront acceptés que si une autorisation de retour (Return Authorization) valide a été obtenue au préalable. Les retours autorisés doivent être clairement identifiés par leur numéro sur l'extérieur de l'emballage. De plus, le fret ou les frais d'expédition doivent être prépayés. Tout retour de marchandise d'un client qui ne satisfait pas à ces critères sera refusé.

## ÍNDICE DE MATERIAS

Información de Registro de Producto .....	1
Advertencias de seguridad .....	12-15
Garantía limitada .....	16
Lista de partes.....	19
Diagrama de piezas.....	20
Lista de hardware .....	21
Asamblea .....	22-25
Solución de problemas .....	28
Tarjeta de registro .....	31



**Este manual de instrucciones contiene información importante, necesaria para el uso seguro del aparato.**

**Cuando use el aparato, siga todas las advertencias y las instrucciones.**

### Símbolos de seguridad

Los símbolos y las casillas ilustradas más adelante explican lo que significa cada encabezado. Lea y cumpla todo lo indicado en los mensajes que se encuentran en el manual.

	<b>PELIGRO</b>	
<b>PELIGRO:</b> Indica una situación peligrosa inminente que, de no evitarse, causará la muerte o lesiones graves.		

	<b>ADVERTENCIA</b>	
<b>ADVERTENCIA:</b> Indica una situación potencialmente peligrosa que, de no evitarse, podría causar la muerte o lesiones graves.		

	<b>ADVERTENCIA</b>	
<b>ADVERTENCIA:</b> Indica una situación potencialmente peligrosa o una práctica insegura que, de no evitarse, podría causar lesiones leves o menores.		

	<b>ADVERTENCIA</b>	
<b>Sólo para uso particular. No lo use para fines comerciales.</b>		

## MEDIDAS IMPORTANTES DE SEGURIDAD

**Cuando se usa aparatos eléctricos, es importante tomar precauciones básicas de seguridad, como las siguientes:**

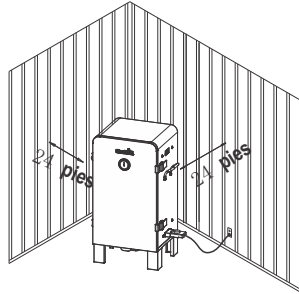
### LEA TODAS LAS INSTRUCCIONES

- No toque las superficies calientes. Use las asas o las ahumadores.
- Para evitar descargas eléctricas, no sumerja el cable, los enchufes, el regulador ni el elemento calefactor en agua ni en ningún otro líquido.
- Es necesario supervisar a los niños cuando usen un aparato o si éste se usa cerca de ellos.
- Desconecte el cable del tomacorriente cuando no lo use, y antes de limpiarlo. Deje que se enfríe antes de colocarlo o retirarle piezas.
- No haga funcionar ningún aparato con un cable o enchufe dañado, o si falla o si ha sufrido algún daño. Devuélvalo al centro de servicios más cercano para su examen, reparación o ajuste. Llame al centro de servicios a parrillas para pedir un cable o regulador de repuesto.
- El uso de accesorios no recomendados por el fabricante del aparato puede ocasionar lesiones.
- No deje que el cable cuelgue por sobre el borde de mesas o de reposteros, ni lo coloque toque superficies calientes.
- No lo coloque sobre o cerca de quemadores a gas o eléctricos calientes, ni sobre hornos calientes.
- Debe tener mucho cuidado al mover un aparato que contenga aceite caliente u otros líquidos calientes.
- No use el aparato con fines para los que no fue diseñados.
- Use únicamente un circuito protegido por un interruptor accionado por corriente de pérdida a tierra (o GFI por sus siglas en inglés).
- Para evitar que salpique agua la parrilla, o que se caiga al agua, no lo use a menos de 10 pies de distancia de piscinas, estanques u otras masas de agua.
- Mantenga en todo momento secos y alejados de la lluvia a la parrilla y al regulador eléctrico.
- Para conectar el regulador, enchúfelo primero en la parrilla, verifique que esté en la posición de APAGADO, luego enchúfelo al tomacorriente. Para desenchufarlo, gire el regulador a la posición de APAGADO, desconéctelo del tomacorriente, luego retire el regulador de la parrilla.
- Desconecte la parrilla cuando no la use, o antes de moverla.
- No saque nunca el enchufe con pata de conexión a tierra ni use un adaptador con dos patas.
- Mantenga los enchufes eléctricos secos y levantados del suelo.
- Guarde el regulador bajo techo cuando no lo use.
- No use rociadores de agua ni de ningún otro líquido para limpiar la parrilla sin desconectar primero el regulador eléctrico y retirar el elemento calefactor.
- No se debe usar en este aparato materiales combustibles como briquetas de carbón vegetal.
- Enchúfelo únicamente a tomacorrientes debidamente conectados a tierra.

## CONSERVE ESTAS INSTRUCCIONES

## Medidas de precaución en general

1. No toque las superficies calientes sin la debida protección de las manos. Use las asas y las ahumadors instaladas para la operación.
2. Nunca deje la parrilla sin atender cuando esté encendida.
3. No deje que los niños se acerquen a la ahumador, tanto cuando esté caliente como cuando esté fría.
4. Use utensilios de mango largo para asar a la parrilla.
5. Antes de mover, limpiar o guardar la parrilla, deje que se enfríe.
6. No cocinar bajo techo
7. Instale la parrilla a 24" (24 pies) de distancia de las paredes y de las barandas.
8. Sólo para uso doméstico, al aire libre. No la use en interiores ni con fines comerciales.
9. Cuando use la parrilla, no use ni guarde gasolina, queroseno ni otros líquidos inflamables a menos de 20 pies de distancia de la parrilla.
10. Cuando no use la parrilla, guárdela en un área protegida contra las inclemencias del tiempo o cúbrala con la funda cuando no la use, y guarde el regulador eléctrico bajo techo cuando no lo use.
11. Use únicamente accesorios recomendados por el fabricante.
12. Es responsabilidad de la persona que arme la parrilla o del propietario, el armar, instalar y mantener la parrilla.



## Uso y mantenimiento de la parrilla

### Antes de usar la parrilla:

- Retire todas las etiquetas de ventas y todo el material de embalaje de la parrilla. No use herramientas afiladas para retirar las etiquetas adheridas.
- Lave la parrilla de cocción con agua jabonosa tibia, enjuáguela y séquela bien.

### Antes de usar la parrilla:

- Use la parrilla únicamente sobre superficies firmes y niveladas para evitar que se vuelque.
- Para evitar que se activen los disyuntores de los circuitos eléctricos de la casa, mantenga seco el regulador eléctrico y no use otros productos eléctricos en el mismo circuito.
- Verifique que el recipiente para la grasa esté vacío e instalado debajo del orificio de drenaje.
- Para evitar que la comida se adhiera, aplique generosamente una capa de aceite vegetal o de aceite vegetal en aerosol a la parrilla de cocción. Si utiliza un cepillo de cerdas para limpiar las superficies para cocinar, antes de usar la parrilla verifique que no queden cerdas sueltas sobre éstas. Se recomienda no limpiar las superficies para cocinar cuando la parrilla esté aún caliente.

### Para encender la parrilla:

- Verifique que el regulador eléctrico esté girado en sentido contrario a las agujas del reloj hasta la posición de APAGADO.
- Enchufe el cable eléctrico a un tomacorriente debidamente conectado a tierra, protegido por un interruptor accionado por corriente de pérdida a tierra (o GFI por sus siglas en inglés). Si es necesario usar un cable de prolongación, consulte en la página 3 la sección titulada "Uso y protección de los cables de



## ADVERTENCIA



No use 16 o calibre 18 cables de extensión. Daños a los

### Medidas de seguridad para el uso de cables de prolongación

- Para un mejor funcionamiento de la parrilla, le recomendamos que no use cables de prolongación.
- Si tiene que usarlos, por su propia seguridad:**
  - Use únicamente un enchufe con pata de conexión a tierra (de 3 patas), con un régimen nominal de 15 amperios o mayor, aprobado por UL, marcado con una W-A y con una etiqueta que indique que es "Adecuado para artefactos eléctricos de uso al aire libre".
  - Use el cable de prolongación más corto que sea necesario. No conecte juntos 2 o más cables de prolongación. Puede usar un cable de prolongación de calibre 12 o 14, de 50 pies de longitud o menor.
  - Mantenga las conexiones secas y levantadas del suelo.
  - No deje que el cable cuelgue por sobre el borde de la encimera de las mesas o de otros lugares donde los niños puedan jalarlos o

### Interruptor accionado por corriente de pérdida a tierra

- Desde 1971, el reglamento nacional de instalaciones eléctricas o National Electric Code (NEC, por sus siglas en inglés) exige el uso de dispositivos con interruptor accionado por corriente de pérdida a tierra en todo circuito eléctrico al aire libre.
- Si su residencia fue construida antes de 1971, ésta debe ser inspeccionada por un electricista calificado para determinar si está protegida por un interruptor accionado por corriente de pérdida a tierra.
- No use este aparato si el circuito no está protegido por un GFI.
- No enchufe este aparato en un circuito eléctrico bajo techo.



## ADVERTENCIA



No use utensilios afilados ni puntiagudos para limpiar la parrilla. Este tipo de utensilios de limpieza pueden rasgar o perforar el protector de aislamiento. No use productos de limpieza abrasivos para hornos ni cepillos de metal para limpiar la rejillas revestidas de porcelana ni el cuerpo de la parrilla, porque dañarán el acabado. Cambie los protectores de aislamiento dañados únicamente por repuestos certificados por Char-Broil. No intente reparar las piezas dañadas.



## ADVERTENCIA



- El no cumplir con todas las instrucciones del fabricante puede ocasionar lesiones graves y/o daños materiales.
- Tenga cuidado al usar la parrilla.
- Recuerde que debe leer y comprender toda la información y las medidas de protección contenidas en este manual antes de usar la parrilla.

### Consejos de seguridad

- Si usted tiene un aparato problema consulte la sección "Solución de problemas de la Sección".
- Limpie la parrilla con frecuencia, preferiblemente después de cada cookout. Si una cerda cepillo se utiliza para limpiar toda la parrilla de las superficies de cocina, garantizar que no se suelta cerdas permanecen en las superficies antes de la cocción asar a la parrilla. No se recomienda para limpiar superficies de cocina mientras que la parrilla está caliente.



## PELIGRO



En caso de incendio, apague el regulador, desconecte la parrilla del tomacorriente y deje que se apague el fuego. No use agua para apagar un incendio en éste ni en ningún otro aparato eléctrico.

Para evitar descargas eléctricas, antes de retirar el elemento calefactor y limpiar la parrilla, desconecte el cable eléctrico y retire el regulador eléctrico a la parrilla. No sumerja nunca el regulador ni el elemento calefactor en ningún líquido.

Para evitar la posibilidad de sufrir quemaduras, verifique que la parrilla esté fría antes de retirar o de limpiar el regulador eléctrico y el elemento calefactor.

### Para apagar la parrilla:

- Gire completamente la ahumador del regulador en sentido contrario a las agujas del reloj, hasta la posición de APAGADO.
- Desconecte el cable eléctrico del tomacorriente.
- Retire de la parrilla la ahumador del regulador y guárdela bajo techo.

### Para limpiar el regulador eléctrico y el soporte del elemento calefactor:

- Para limpiar la caja del regulador, frótela con un paño mojado con una solución de detergente suave o con agua jabonosa caliente.
- No es necesario limpiar el elemento calefactor. Si embargo, puede limpiar el soporte del elemento con un paño mojado con una solución de detergente suave o con agua jabonosa caliente.
- Antes de usar el regulador eléctrico y elemento calefactor, séquelos.

### Cómo limpiar la parrilla:

La acumulación excesiva de grasa quemada y de partículas de comida reducen el desempeño de la parrilla. Para que funcione óptimamente:

- Limpie el protector inferior de aislamiento al menos una vez por temporada, pero con mayor frecuencia cuando la use a menudo.
- Con un cepillo de cerdas de plástico o de bronce y un detergente suave o agua jabonosa caliente, refriegue moderadamente la superficie del protector inferior de aislamiento.
- Limpie regularmente las rejillas revestidas de porcelana con agua jabonosa tibia o con una solución de bicarbonato de soda y agua. Use un polvo de limpieza no abrasivo para las manchas difíciles de eliminar.

**NO USE CARBÓN.** Un fuego de carbón y dará como resultado la parrilla no está diseñado para el carbón de leña. El fuego se creará una condición insegura y daños a la parrilla.



## ADVERTENCIA



### Para usar su aparato en forma segura y para evitar lesiones graves:

- El uso de alcohol, medicamentos recetados o no recetados puede afectar la capacidad del consumidor de armar correctamente el aparato o de operarlo de manera segura.
- Cuando cocine, el aparato debe estar sobre una superficie nivelada y estableen un área libre de material combustible.
- No deje el aparato desatendido. Mantenga a los niños y las mascotas lejos del aparato en todo momento.
- No mueva el aparato cuando esté en uso.
- Este aparato no está diseñado para usarse como calefactor y nunca debería usarse como tal.
- Este aparato está caliente durante su uso y después de él. Usemanoplas o guantes para horno con aislamiento yutensilios para asar a la brasa con mango largo para protegerse de las superficies calientes o de las salpicaduras de los líquidos durante su cocción.
- Mantenga el área del aparato limpia y sin materiales combustibles.
- Mantenga el área del aparato limpia y sin materiales combustibles, gasolina y otros vapores y líquidos inflamables
- Use el aparato únicamente en espacios bien ventilados.

### Para personas que viven en apartamentos:

- Pídale al administrador que le indique cuáles son los requisitos y los códigos contra incendios que corresponden al uso de parrillas eléctricasen su edificio de apartamentos. Use el aparato sólo según lo permitido.



## ADVERTENCIA



### PROPOSITION 65 DEL ESTADO DE CALIFORNIA

1. En el estado de California se sabe que los subproductos de la combustión en este aparato, contienen sustancias químicas que causan cáncer, defectos congénitos u otras lesiones al aparato reproductor.

2. Este producto contiene sustancias químicas como el plomo y sus compuestos que, en el estado de California, se sabe que causan cáncer, defectos congénitos u otras lesiones al aparato reproductor.

**Lávese las manos después de manipular este producto.**

### Cómo guardar su parrilla:

- Limpie la parrilla de cocción.
- Retire el regulador eléctrico de la parrilla. Guárdelo bajo techo.
- Guarde la parrilla en un lugar protegido de las inclemencias del tiempo o cúbrala con la funda cuando no la use.

## Seguridad con los alimentos

La seguridad con los alimentos es una parte muy importante del disfrute de su parrillada al aire libre. Siga estos cuatro pasos básicos para proteger a los alimentos contra las bacterias nocivas:

**Limpieza:** Lávese las manos, lave los utensilios y las superficies con agua jabonosa caliente, antes y después de manipular carnes y aves crudas.

**Separación:** Mantenga las carnes y las piezas de aves crudas separadas de los alimentos listos para comer, para evitar la contaminación cruzada. Use bandejas y utensilios limpios para servir los alimentos preparados.

**Cocción:** Cocine bien las carnes y las piezas de ave, para matar las bacterias. Use un termómetro para verificar que los alimentos alcancen la temperatura interna adecuada.

**Refrigeración:** Refrigere con prontitud los alimentos preparados y las sobras.

**Para más información llame: Carnes y Aves del USDA en 1-888-MPHOTLINE (888-674-6854) en Washington, DC**

**O E-mail: [mpholine.fsis@usda.gov](mailto:mpholine.fsis@usda.gov)**

**O visite el sitio web del USDA en [www.fsis.usda.gov](http://www.fsis.usda.gov)**

## Bandeja para la grasa

- Nunca use directamente el jugo que gotea de la bandeja para la grasa para preparar la salsa. Use el forro de aluminio para la bandeja para la grasa que viene con el aparato para recoger el jugo de los alimentos; luego recaliente el jugo para matar las bacterias. Puede comprar forro de aluminio de repuesto y otros accesorios en [www.charbroil.com](http://www.charbroil.com).

## Cómo saber cuándo las carnes están bien cocidas

- El exterior de las carnes y las presas de ave preparadas en el aparato suele dorarse rápidamente. Use únicamente carne descongelada y un termómetro para carnes, para verificar que los alimentos alcancen una temperatura interna segura, y corte la carne para verificar visualmente si ya está lista.
- **Le recomendamos que antes de cocinar los alimentos en su aparato, éstos estén a una temperatura de al menos 40° F.**
- La temperatura de las aves enteras debe alcanzar 165° F. El jugo de las mismas debe ser transparente y la carne no debe tener color rosado.
- Los filetes de carne de res, de ternera, y de cordero, los asados y las chuletas de cerdo se pueden cocer a 160° F.
- **NUNCA cocine parcialmente las presas de carne o de aves, para terminar de cocinarlas después. Cocine los alimentos completamente, para destruir las bacterias nocivas.**
- **Use un termómetro para verificar que los alimentos alcancen la temperatura interna adecuada.**

Temperaturas internas de cocción recomendadas por USDA	
<b>Carne molida</b>	
Carne de vaca, cerdo, ternera, cordero.....	160° F
Pavo, pollo.....	165° F
<b>Carne fresca de vaca, ternera, cordero</b>	
Poco cocido.....	145° F
(con 3 minutos de reposo)	
Medio cocido.....	160° F
Bien cocido.....	170° F
<b>Aves de corral</b>	
Pollo y pavo, entero.....	165° F
Trozos de ave.....	165° F
Pato y ganso.....	165° F
<b>Carne fresca de cerdo</b>	
Poco cocido.....	145° F
(con 3 minutos de reposo)	
Medio cocido.....	160° F
Bien cocido.....	170° F

## GARANTÍA LIMITADA

Esta garantía es válida únicamente para las unidades adquiridas de los distribuidores autorizados. El fabricante le garantiza únicamente **al consumidor-comprador original**, que este producto no presentará defectos de mano de obra ni de materiales por el período indicado a continuación, contado desde la fecha de compra\*, si se arma correctamente y se usa en el hogar, en condiciones normales y razonables. El fabricante se reserva el derecho de exigir la devolución de las piezas defectuosas, enviadas con el porte o el flete pagado por el consumidor, para ser revisadas y examinadas.

### ALCANCE DE LA COBERTURA

### PLAZO DE COBERTURA

### TIPO DE FALLA AMPARADA

Todas las piezas	1 Año de fecha de compra *	SOLO DEFECTOS DE PERFORACIÓN, DE FABRICACIÓN Y DE MATERIALES

\*Nota: A fecha de recibo de compra serán necesarios para el servicio de garantía.

**Son de responsabilidad del consumidor-comprador original todos los gastos de envío de las piezas cambiadas en virtud de las condiciones de esta garantía limitada.**

Esta garantía limitada es válida únicamente en Estados Unidos y en Canadá, se ofrece únicamente al propietario original del producto y es intransferible. **El fabricante exige la presentación de evidencia de la fecha de la compra. Por tanto, debe conservar el recibo o la factura de la compra.** La inscripción del producto no reemplaza al comprobante de compra, y el fabricante no se hace responsable ni está obligado a llevar un registro de dichos comprobantes.

Esta garantía limitada atañe ÚNICAMENTE al funcionamiento del producto y no ampara rayones, abolladuras, corrosión ni decoloración ocasionada por el calor, los productos de limpieza abrasivos y químicos, ni por las herramientas usadas en el armado o en la instalación del aparato, oxidación de las superficies ni decoloración de las superficies de acero inoxidable. La pintura no esta garantizada y requerira retoques. **RUST no se considera una de fabricación o materiales defecto.**

**Esta garantía limitada no ampara el costo en el que se incurra por inconvenientes, alimentos, lesiones ni daños a la propiedad.**

### EL FABRICANTE NO PAGARÁ LOS SIGUIENTES RUBROS:

1. El costo de envío normal o acelerado de piezas y repuestos amparados por la garantía
2. Las llamadas de servicio técnico a domicilio.
3. Reparaciones de productos que hayan sido usados para fines distintos a los normales, en casas de más de una familia o no domésticos.
4. Daños, fallas, o dificultades para hacerlo funcionar, ocasionadas por accidentes, modificaciones, manipulación descuidada, uso indebido, abuso, incendio, inundación, casos fortuitos, instalación o mantenimiento inadecuados o que no se realicen de conformidad con las disposiciones de los códigos de instalaciones eléctricas o sanitarias, o uso de productos no autorizados por el fabricante.
5. Pérdida de alimentos debidos a fallas del producto o a la dificultad para hacerlo funcionar.
6. El costo de las piezas de repuesto ni de la mano de obra para la reparación de unidades instaladas fuera de Estados Unidos o de Canadá.
7. La recogida y el envío de su producto.
8. Las reparaciones de piezas o de sistemas que hayan sufrido daños por alteraciones no autorizadas hechas en el producto.
9. La remoción y/o la reinstalación de su producto.

### ESTIPULACIONES DE EXONERACIÓN DE GARANTÍAS IMPLÍCITAS; LIMITACIÓN DE LOS RECURSOS

El único recurso del que usted dispone en virtud de esta garantía limitada es la reparación o el cambio de las piezas defectuosas. En cas de problèmes de disponibilité des pièces, le constructeur se réserve le droit de remplacer des pièces similaires qui sont également fonctionnels. El fabricante no será responsable por ningún tipo de daño accesorio o indirecto ocasionado por el incumplimiento de lo estipulado ya sea en esta garantía limitada o en alguna garantía implícita pertinente, ni por las fallas o los daños ocasionados por actos fortuitos, cuidado y mantenimiento inadecuados, fuego provocado por la grasa, accidentes, modificaciones, cambio de piezas por cualquier persona que no sea el fabricante, uso indebido, transporte, uso con fines comerciales, abuso, ambientes hostiles (condiciones inclementes del tiempo, fenómenos naturales, acción de los animales), instalación inadecuada o instalación que no se realice de conformidad con las disposiciones de los códigos locales o las instrucciones impresas del fabricante.

ESTA GARANTÍA LIMITADA ES LA ÚNICA GARANTÍA EXPLÍCITA OFRECIDA POR EL FABRICANTE. EL FABRICANTE NO GARANTIZA NINGUNA ESPECIFICACIÓN O DESCRIPCIÓN DE RENDIMIENTO DEL PRODUCTO, INDEPENDIENTEMENTE DEL LUGAR DONDE APAREZCAN, SALVO EN LA MEDIDA SEÑALADA EN ESTA GARANTÍA LIMITADA. POR EL PRESENTE, EL PLAZO DE VIGENCIA DE LA PROTECCIÓN QUE OTORGAN LAS GARANTÍAS IMPLÍCITAS, EN VIRTUD DE LAS LEYES DE CUALQUIER ESTADO, INCLUYENDO LA GARANTÍA IMPLÍCITA ACERCA DE LA IDONEIDAD DEL PRODUCTO PARA SU COMERCIALIZACIÓN O PARA ALGÚN PROPÓSITO DETERMINADO, QUEDA LIMITADO AL PLAZO DE VIGENCIA DE ESTA GARANTÍA LIMITADA.

**Ni los distribuidores, ni el negocio minorista que vende este producto, están autorizados para ofrecer ninguna garantía ni para prometer recursos adicionales o incongruentes con los arriba indicados.** En todo caso, el límite máximo de responsabilidad del fabricante no será mayor que el precio de compra pagado por el consumidor original.

NOTA: Algunos estados no permiten la exclusión ni la limitación de daños accesorios o indirectos, de manera que es posible que las limitaciones o exclusiones arriba señaladas no correspondan en su caso. Esta garantía le otorga derechos específicos, señalados aquí. Es posible que usted tenga otros derechos que pueden variar de un estado a otro. Sólo en el estado de California, en el caso en que no sea comercialmente viable reparar o cambiar el acabado del producto, el minorista que vende este producto o el fabricante le reembolsarán el precio de compra pagado por el mismo, menos la cantidad directamente atribuible al uso dado por el consumidor-comprador original, antes de haber descubierto la falla. Además, y únicamente en el estado de California, usted podrá llevar el producto al negocio minorista que venda este producto para solicitar servicios en virtud de esta garantía limitada.

**Si desea obtener algún servicio en virtud de esta garantía limitada, debe dirigir su correspondencia a:**  
**Consumer Relations**  
**P. O. Box 1240**  
**Columbus, GA 31902-1240**

No se aceptarán las devoluciones por parte del consumidor a menos que haya obtenido primero una autorización válida de devolución. Debe rotular de manera legible la parte exterior del paquete de devolución autorizada con su número de autorización de devolución y remitir dicho paquete con el flete o el porte pagado. Se rechazará toda devolución del consumidor que no cumpla con las reglas anteriores.

# PARTS LIST

Make sure you have all items listed under **PARTS LIST** and **HARDWARE BAG CONTENTS** before you begin the assembly process.

Key	Qty	Description
1	1	Body Assembly
2	1	Door Assrmbly
3	1	Temperature Gauge
4	1	Bezel, F/ Temperature Guage Bezel
5	2	Door Hinge
6	2	Door Hasp
7	2	Door Latch Assembly
8	2	Side Handle
9	4	Leg
10	3	Cooking Grate
11	1	Drip Pan Assembly
12	2	Smoker Box/Grease Box
13	1	Water Pan
14	1	Heating Element
15	1	Thermostat

**NOT Pictured**

...	1	HARDWARE PACK
...	1	PRODUCT GUIDE, ENGLISH, FRENCH, SPANISH

## LISTE DES PIÈCES

S'assurer d'avoir tous les articles figurant sur la **LISTE DES PIÈCES** et sur celle du **SACHET DES PIÈCES DE QUINCAILLERIE** avant de commencer l'assemblage.

Clé	Qté	La description
1	1	Assemblée du corps
2	1	Ensemble de porte
3	1	Indicateur de température
4	1	Lunette de température
5	2	Charnière de porte
6	2	Hasp de porte
7	2	Ensemble de loquet de porte
8	2	Poignée latérale
9	4	Jambe
10	3	Rack de cuisine
11	1	Ensemble de goutte à goutte
12	2	Fumier / Graisse Bœuf
13	1	Bac à eau
14	1	Élément chauffant
15	1	Contrôleur thermostatique

### Pas représenté

...	1	PAQUET DE MATERIEL
...	1	GUIDE DU PRODUIT, ENG, FRE, SPA

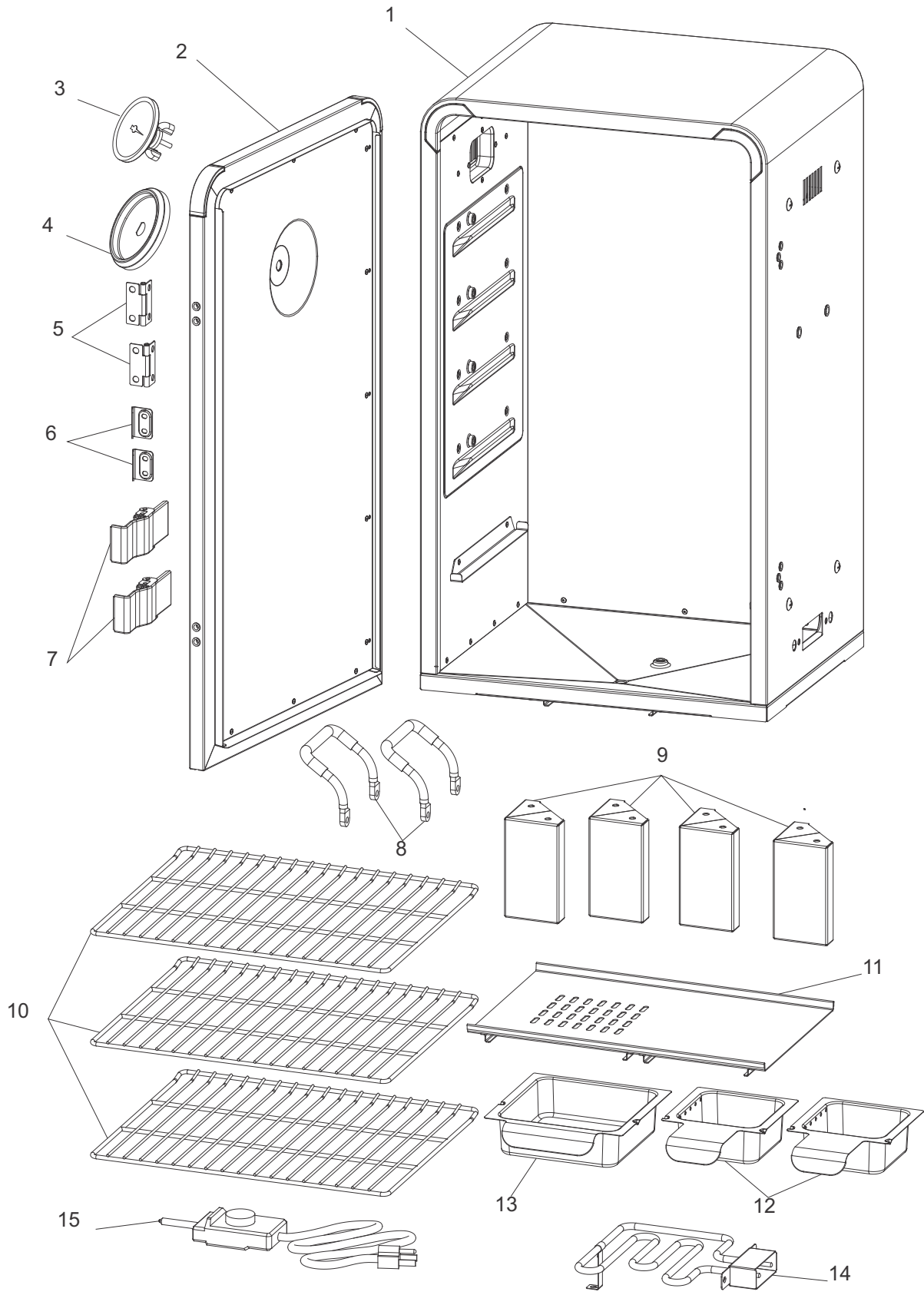
## LISTA DE PIEZAS

Cerciórese que tenga todos los artículos alistados bajo el lista de piezas antes que empiece el proceso de ensamblaje.

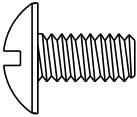
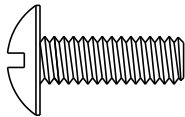
Llave	Cant	Descripción
1	1	Conjunto del Cuerpo
2	1	Ensamblaje de puerta
3	1	Indicador de temperatura
4	1	Bisel de temperatura
5	2	Bisagra de la puerta
6	2	Cerrojo de la puerta
7	2	Montaje del pestillo de la puerta
8	2	Manija lateral
9	4	Pierna
10	3	Estante de cocina
11	1	Ensamble de la bandeja de goteo
12	2	Fumador / Grasa de buey
13	1	Bandeja de agua
14	1	Elemento de calefacción
15	1	Controlador termostático

### No representado

...	1	PAQUETE DE HARDWARE
...	1	GUÍA DE PRODUCTOS, ENG, FRE, SPA



**HARDWARE BAG CONTENTS**  
**SACHETS DES PIÈCES DE QUINCAILLERIE**  
**CONTENIDO DE BOLSADE HERRAMIENTA**

Key	Description	Picture	Qty
A	1/4-20x1/2" Cross Recessed Pan Head Screw		11
B	1/4-20x3/4" Cross Recessed Pan Head Screw		4

## ASSEMBLY/ ASAMBLEA/ ASSEMBLAGE

Choose a good, cleared assembly area and get a friend to help you put your smoker together. Lay cardboard down to protect smoker finish and assembly area.

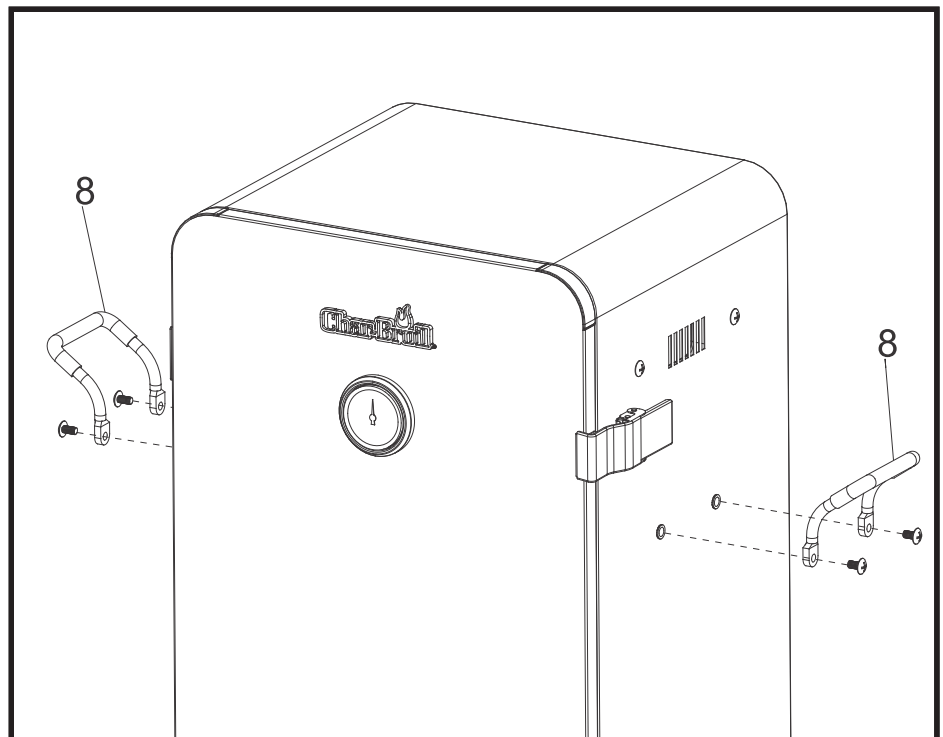
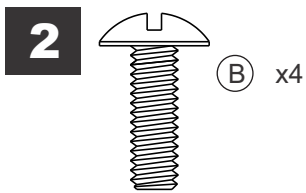
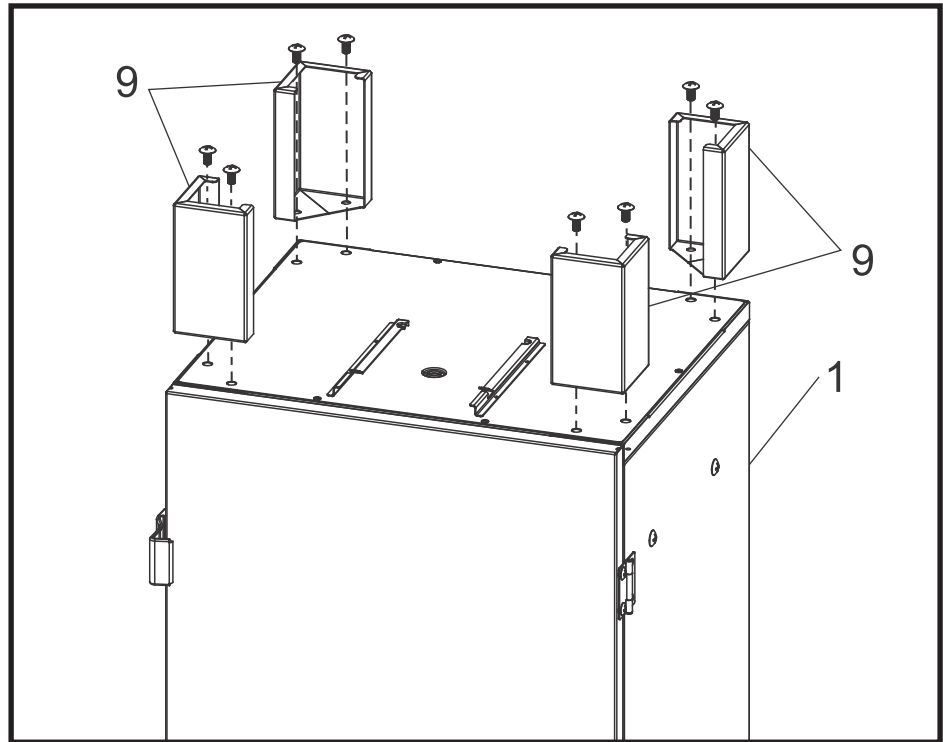
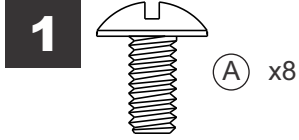
Choisir un endroit dégagé et adapté à la tâche, et demander l'aide d'un ami pour assembler votre fumoir. Laisser l'emballage de carton sur le sol pour protéger à la fois la finition du fumoir et les lieux.

Escoge un área buena y vaciada del asamblea y consigue a un amigo para ayudarlo a poner a su fumador juntos. El cartón lego proteger hacia abajo a fumador el fin y área de asamblea.

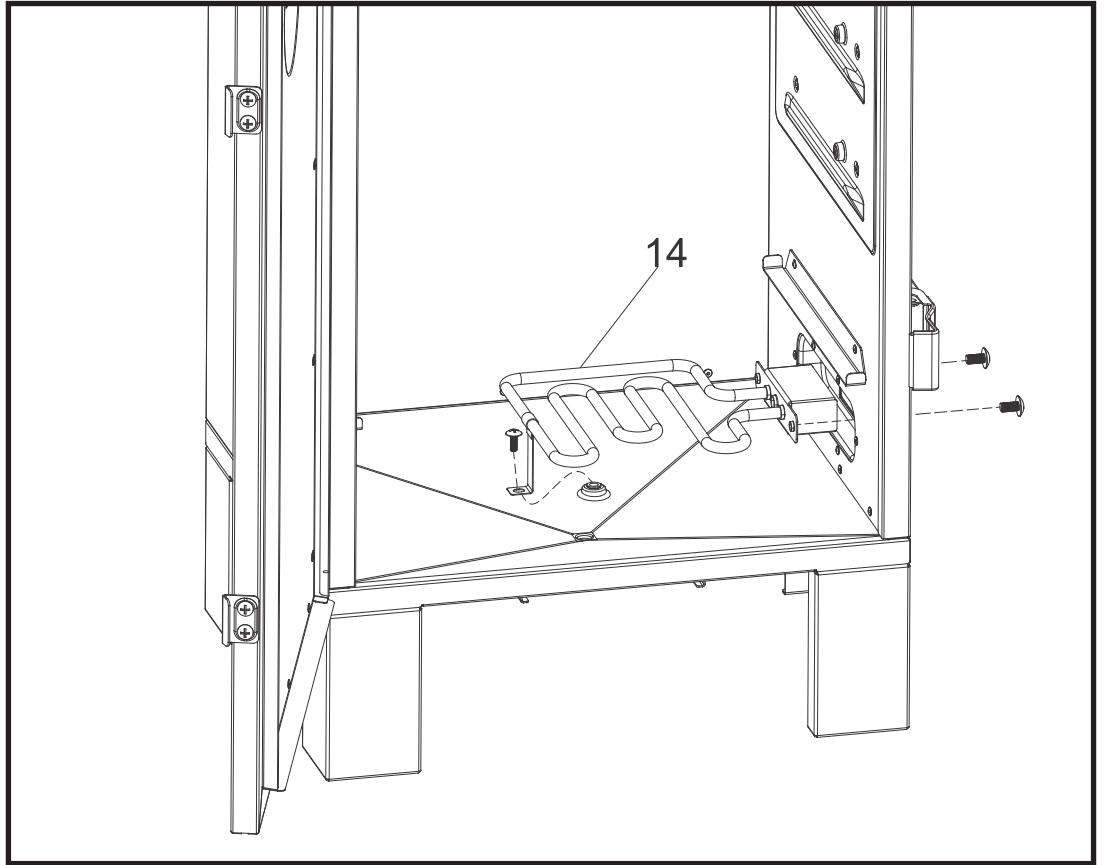
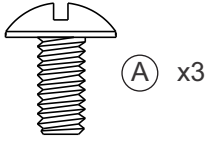
**Note:** With help of a friend, turn the smoker cabinet upside down.

**À noter :** Avec l'aide d'un ami, poser le fumoir à l'envers sur le sol.

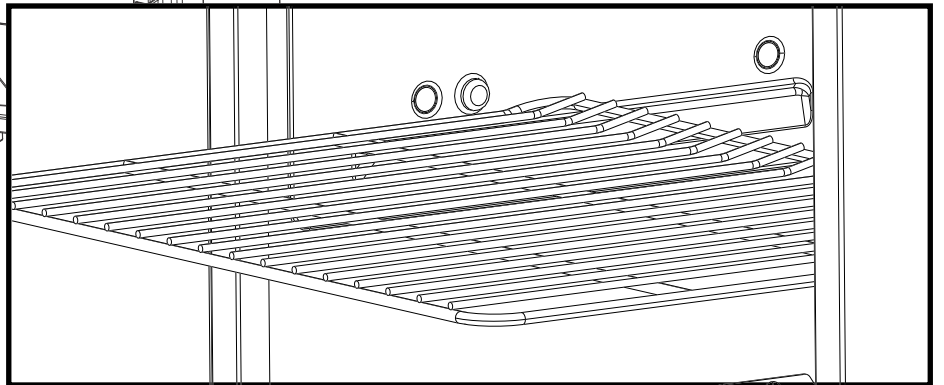
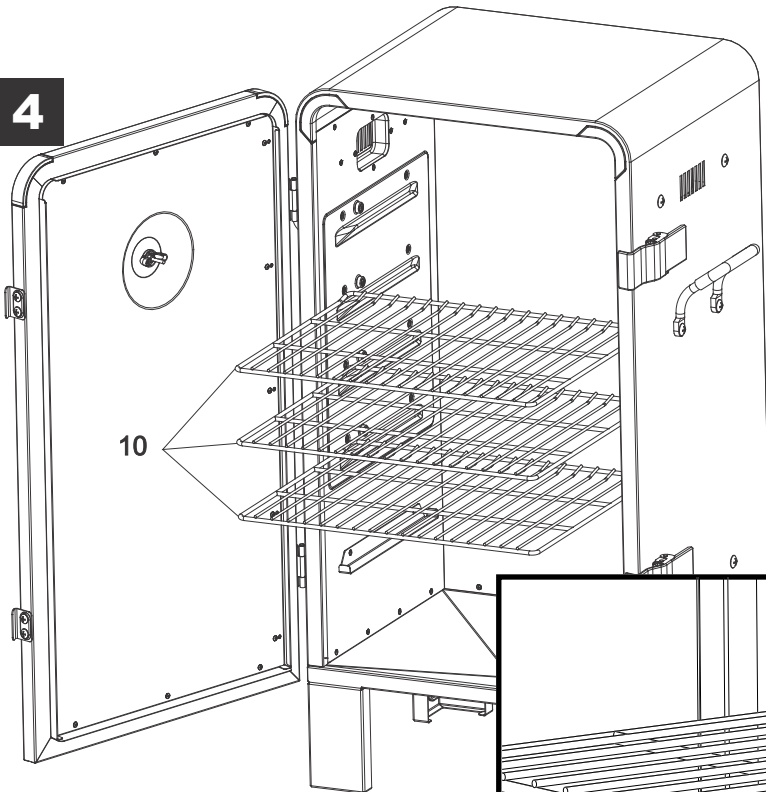
**Nota:** Conl a ayuda de un amigo, voltee el cuerpo del ahumador arriba abajo.



**3**



**4**



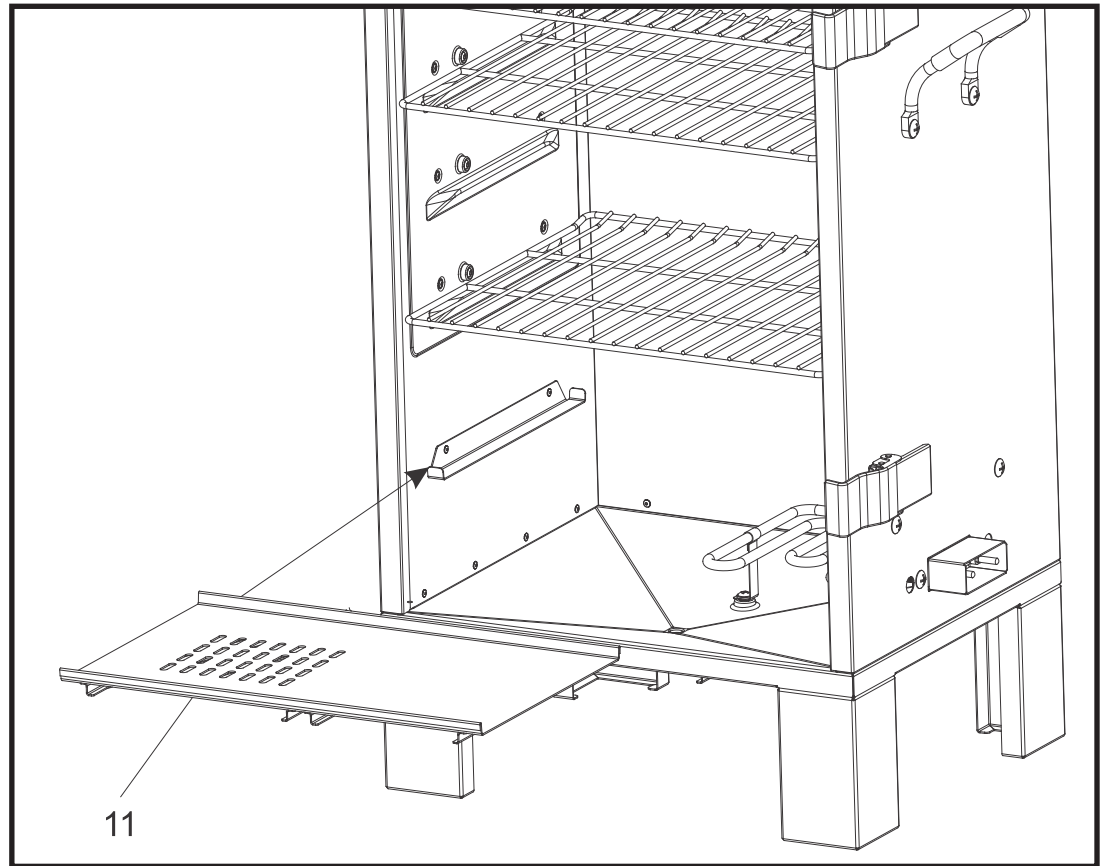
5



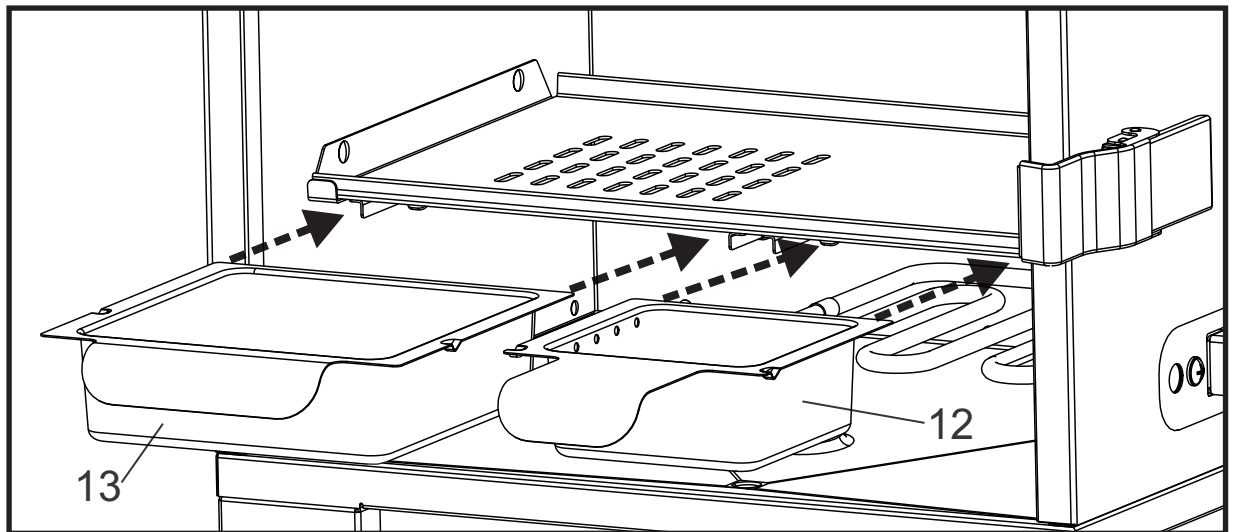
COVER, #11, MUST  
BE USED AT ALL  
TIMES!

COUVERTURE, # 11,  
DOIT ÊTRE UTILISÉ  
À TOUT MOMENT!

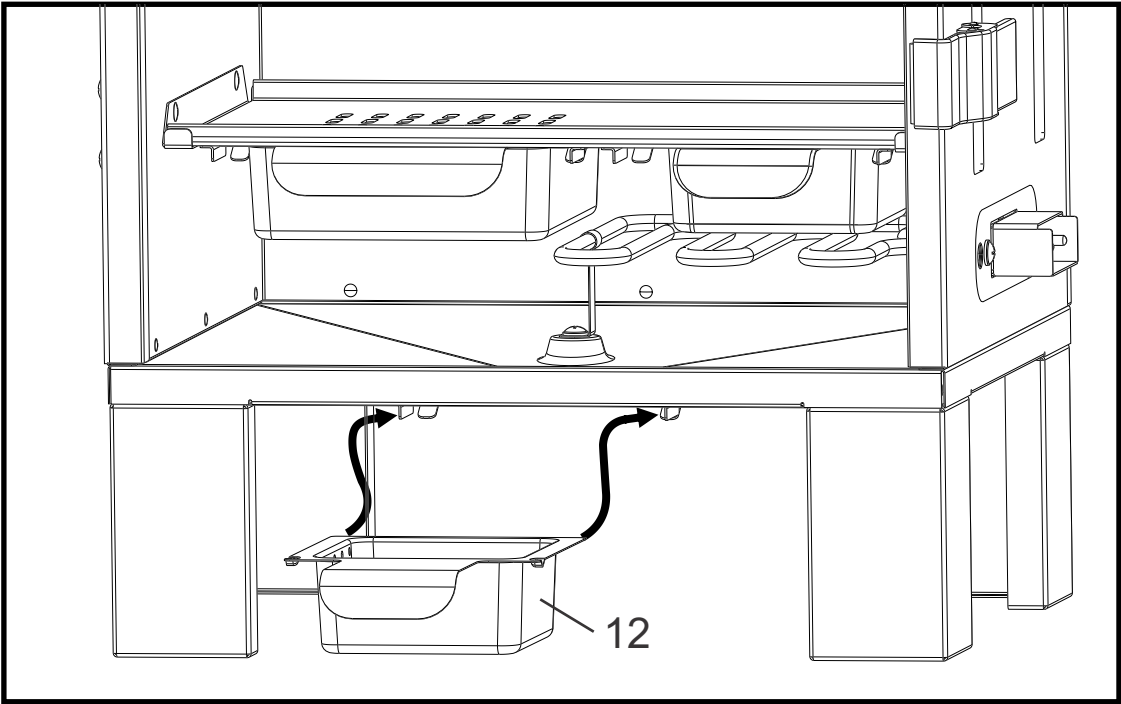
¡LA CUBIERTA, # 11,  
DEBE SER  
UTILIZADA EN  
TODOS LOS  
TIEMPOS!



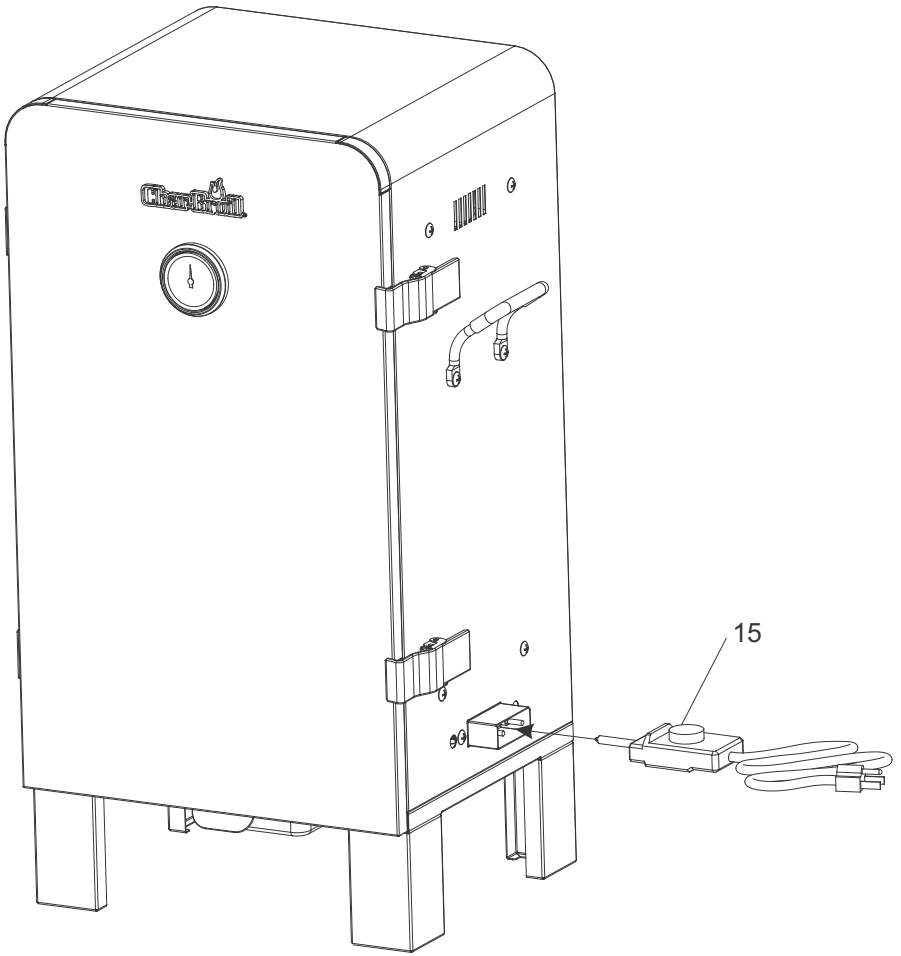
6



7



8



25

## Troubleshooting

Problem	Possible Cause	Prevention/Solution
Smoker not heating	<ul style="list-style-type: none"> <li>• Controller turned to <b>OFF</b> position.</li> <li>• No power.</li> <li>• Faulty controller or heating element.</li> </ul>	<ul style="list-style-type: none"> <li>• Turn controller knob to setting ⑤ <b>HIGH</b>.</li> <li>• Be sure controller is fully seated in heating element bracket and smoker is properly plugged into outlet.</li> <li>• Check for tripped household circuit breakers or GFI (Ground Fault Interrupter). Reset or replace if necessary.</li> <li>• Try a known, working appliance in the outlet.</li> <li>• Try a different outlet, preferably on a different circuit.</li> <li>• Replace controller or heating element.</li> </ul>
Circuit breaker trips or fuse blows	<ul style="list-style-type: none"> <li>• Power surge.</li> <li>• Another appliance plugged into same circuit as smoker.</li> <li>• Moisture or water in controller or electrical connections.</li> <li>• Damaged cord or electrical connections.</li> </ul>	<ul style="list-style-type: none"> <li>• Turn controller to OFF position before plugging into electrical outlet.</li> <li>• Do not use other electrical appliances on the same circuit.</li> <li>• Keep controller and all electrical connections dry. Do not operate unit when raining.</li> <li>• Replace damaged controller or extension cord.</li> </ul>
Smoker will not cook properly	<ul style="list-style-type: none"> <li>• Smoker Door is left open.</li> <li>• Insufficient preheat or temperature set too low.</li> <li>• Inappropriate extension cord.</li> </ul>	<ul style="list-style-type: none"> <li>• Close lid on smoker while cooking.</li> <li>• Preheat 15-20 minutes. Increase controller setting.</li> <li>• Replace with appropriately rated cord (15 amps).</li> </ul>
Flare-ups	<ul style="list-style-type: none"> <li>• Excess fat in meat.</li> <li>• Excessive cooking temperature.</li> <li>• Grease build up.</li> </ul>	<ul style="list-style-type: none"> <li>• Trim fat from meat before smoking.</li> <li>• Adjust (lower) temperature as needed.</li> <li>• Clean smoker.</li> </ul>
Controller indicator light is not lit.	<ul style="list-style-type: none"> <li>• Normal controller cycling.</li> <li>• No power.</li> <li>• Faulty controller.</li> </ul>	<ul style="list-style-type: none"> <li>• Increase knob setting or wait for light to cycle on.</li> <li>• See "Smoker not heating".</li> <li>• Replace controller or heating element.</li> </ul>
Persistent grease fire	<ul style="list-style-type: none"> <li>• Grease trapped by food build up.</li> </ul>	<ul style="list-style-type: none"> <li>• Turn controller knob to the OFF position. Keep door closed and let fire burn out. After smoker cools, clean debris from grease drain hole.</li> <li>• <b>Do not apply water to fire. Personal injury may result.</b></li> </ul>

## Dépannage

Problème	Cause possible	Prévention/Solution
Le fumeur ne chauffe pas	<ul style="list-style-type: none"> <li>• Contrôleur en position d'arrêt</li> <li>• Pas de courant.</li>   <li>• Contrôleur ou élément chauffant défectueux.</li> </ul>	<ul style="list-style-type: none"> <li>• Tournez le bouton du contrôleur au réglage maximal.</li> <li>• Assurez-vous que le contrôleur est bien installé dans le support de l'élément chauffant et que le fumeur est bien branché dans la prise.</li> <li>• Vérifiez si les interrupteurs de défaut à la terre ou les coupe-circuits ont été déclenchés. Remettez-les sur la position initiale ou remplacez-les au besoin.</li> <li>• Essayez une autre prise.</li> <li>• Remplacez le contrôleur ou l'élément chauffant.</li> </ul>
Le coupe-circuit est déclenché ou le fusible est smokeré	<ul style="list-style-type: none"> <li>• Saute de puissance.</li> <li>• Un autre appareil est branché sur le même circuit que le fumeur.</li> <li>• Humidité ou eau dans le contrôleur ou les raccords électriques.</li> <li>• Cordon ou raccords électriques endommagés.</li> </ul>	<ul style="list-style-type: none"> <li>• Tournez le contrôleur sur la position d'arrêt (OFF) avant de le brancher dans la prise électrique.</li> <li>• N'utilisez pas d'autres appareils électriques sur le même circuit.</li> <li>• Le contrôleur et tous les raccords électriques doivent demeurer secs. N'utilisez pas l'appareil lorsqu'il pleut.</li> <li>• Remplacez le contrôleur ou la rallonge électrique endommagés.</li> </ul>
Le fumeur ne cuit pas correctement	<ul style="list-style-type: none"> <li>• La porte du fumeur est laissée ouverte</li> <li>• Préchauffage insuffisant, ou température trop basse.</li> <li>• Rallonge électrique inappropriée.</li> </ul>	<ul style="list-style-type: none"> <li>• Fermez le couvercle du fumeur pendant la cuisson.</li> <li>• Préchauffez pendant 15 à 20 minutes. Augmentez le réglage du contrôleur.</li> <li>• Remplacez par un cordon de valeur nominale appropriée (15 A).</li> </ul>
Flambées soudaines	<ul style="list-style-type: none"> <li>• Excédent de gras dans la viande.</li> <li>• Température de cuisson excessive.</li> <li>• Accumulation de graisse.</li> </ul>	<ul style="list-style-type: none"> <li>• Enlevez le gras de la viande avant la cuisson.</li> <li>• Ajustez (baissez) la température au besoin.</li> <li>• Nettoyez le fumeur.</li> </ul>
Le voyant du contrôleur est ÉTEINT	<ul style="list-style-type: none"> <li>• Cycle normal du contrôleur.</li> <li>• Aucune alimentation électrique.</li> <li>• Contrôleur défectueux.</li> </ul>	<ul style="list-style-type: none"> <li>• Augmentez le réglage du bouton ou attendez que le voyant s'allume.</li> <li>• Voir « Le fumeur ne chauffe pas ».</li> <li>• Remplacez le contrôleur ou l'élément chauffant.</li> </ul>
Incendie persistant provoqué par la graisse.	<ul style="list-style-type: none"> <li>• Graisse bloquée par l'accumulation de nourriture.</li> </ul>	<ul style="list-style-type: none"> <li>• Tournez le bouton du contrôleur sur la position OFF. Garder la porte fermée et laisser brûler le feu. Une fois que le fumeur refroidit, nettoyer les débris du trou de vidange de graisse.</li>   <li>• <b>Ne versez pas d'eau sur le feu. Cela pourrait vous causer des blessures</b></li> </ul>

## Resolución de problemas

Problema	Causas probables	Medidas de prevención / solución
La parrilla no calienta	<ul style="list-style-type: none"> <li>• El regulador está apagado.</li> <li>• No hay electricidad.</li> <li>• Cambie el regulador o el elemento calefactor si están defectuosos.</li> </ul>	<ul style="list-style-type: none"> <li>• Gire la ahumador del regulador hasta la graduación máxima.</li> <li>• Verifique que regulador esté plenamente asentado en el soporte del elemento calefactor y que la parrilla esté correctamente enchufada en el tomacorriente.</li> <li>• Verifique que no estén activados los disyuntores de los circuitos eléctricos de la casa, ni el interruptor accionado por corriente de pérdida a tierra (o GFI). Reposiciónelos o cámbielos si es necesario.</li> <li>• Pruebe usar otro tomacorriente.</li> <li>• Cambie el regulador o el elemento calefactor.</li> </ul>
Se activa el disyuntor del circuito o se quema el fusible	<ul style="list-style-type: none"> <li>• Aumento transitorio de la tensión.</li> <li>• Hay otro aparato enchufado en el mismo circuito que el de la parrilla.</li> <li>• Hay humedad o agua en el regulador o en las conexiones eléctricas.</li> <li>• Cable o conexiones eléctricas dañadas.</li> </ul>	<ul style="list-style-type: none"> <li>• Gire el regulador a la posición de APAGADO antes de enchufarlo al tomacorriente.</li> <li>• No enchufe otros aparatos eléctricos en el mismo circuito.</li> <li>• Mantenga secos el regulador y todas las conexiones eléctricas. No haga funcionar la unidad cuando llueva.</li> <li>• Cambie el regulador o el cable de prolongación si están dañados.</li> </ul>
La ahumador no cocina adecuadamente	<ul style="list-style-type: none"> <li>• La puerta del fumador se deja abierta</li> <li>• La temperatura de precalentamiento es insuficiente o el regulador está graduado a una temperatura demasiado baja.</li> <li>• Cable de prolongación inadecuado.</li> </ul>	<ul style="list-style-type: none"> <li>• Tape la parrilla mientras esté cocinando.</li> <li>• Precaliente la parrilla durante unos 15 o 20 minutos. Aumente la graduación del regulador.</li> <li>• Cámbielo por un cable de un régimen nominal adecuado (15 amperios).</li> </ul>
Llamaradas	<ul style="list-style-type: none"> <li>• Carne sumamente grasosa.</li> <li>• Temperatura de cocción demasiado elevada.</li> <li>• Acumulación de grasa.</li> </ul>	<ul style="list-style-type: none"> <li>• Recorte la grasa de la carne antes de cocinarla en la parrilla.</li> <li>• Regule (baje) la temperatura según sea necesario.</li> <li>• Limpie la parrilla.</li> </ul>
La luz indicadora del regulador está APAGADA	<ul style="list-style-type: none"> <li>• El ciclo del regulador está funcionando normalmente.</li> <li>• No hay electricidad.</li> <li>• Regulador defectuoso.</li> </ul>	<ul style="list-style-type: none"> <li>• Aumente la graduación de la ahumador o espere que empiece el ciclo de la luz.</li> <li>• Lea la sección "La parrilla no calienta".</li> <li>• Cambie el regulador o el elemento calefactor.</li> </ul>
Fuego persistente, producido por la grasa	<ul style="list-style-type: none"> <li>• La grasa queda atrapada por la acumulación de residuos de comida.</li> </ul>	<ul style="list-style-type: none"> <li>• Gire la perilla del controlador a la posición OFF. Mantenga la puerta cerrada y deje que el fuego se queme. Después de que el fumador se enfríe, limpie los residuos del orificio de drenaje de la grasa.</li> </ul> <p><b>No eche agua sobre el fuego. Esto puede ocasionar lesiones.</b></p>





# Two convenient ways to register your product: Deux façons pratiques d'enregistrer votre produit: Dos formas convenientes de registrar su producto:

- 1 Online  
En ligne  
En línea

[www.charbroil.com/register](http://www.charbroil.com/register)

- 2 By mail | Par la poste | Por correo

PLEASE FILL OUT THIS CARD AND ATTACH A COPY OF YOUR SALES RECEIPT. RETURN IT WITHIN 10 DAYS OF PURCHASE. FOR WARRANTY SERVICE PROOF OF PURCHASE WILL BE REQUIRED. THIS WARRANTY IS NON-TRANSFERABLE.

LENE ESTA TARJETA Y DEVUELVALA DENTRO DE LOS 10 DIAS DE LA COMPRA. PARA EL SERVICIO DE GARANTIA ES NECESARIO QUE PRESENTE SU COMPROBANTE DE COMPRA. CONSERVE LA FACTURA. ESTA GARANTIA ES INTRANSFERIBLE.

VEUILLEZ COMPLETER CETTE CARTE ET LA RETOURNER DANS LES 10 JOURS SUIVANT L'ACHAT. POUR OBTENIR LE SERVICE SOUS GARANTIE, UNE PREUVE D'ACHAT DOIT ETRE PRESENTEE. VEUILLEZ CONSERVER VOTRE FACTURE. LA PRESENTE GARANTIE N'EST PAS TRANSFERABLE.

\*Required | Necesario | Exigé

~ PLEASE PRINT ~ IMPRIMA POR FAVOR ~ S'IL VOUS PLAÎT IMPRIMER ~

\* 1. First Name | Nombre | Prénom Initial | Inicial | Initiale Last Name | Apellido | Nom de Famillie

Address (number & street) | Dirección (número y calle) | Adresse (numéro et rue) Apt Number | Nº de apart | Nº d'appt.

City | Ciudad | Ville State | Estado | Province Zip Code | Código Zip | Code Postal

\* 2. E-mail Address | Dirección de correo electrónico | Adresse électronique \* 3. Phone Number | Número telefónico | Numéro de téléphone

\* 4. Model Number | Número de modelo | Numéro de modèle



STICKER ON PRODUCT

Serial Number | Número de serie | Numéro de série

\* 5. Attach copy of your sales receipt here.

Adjunte aquí la copia de su recibo de compra

Veillez attacher une copie de votre reçu ici.

6. Date of Purchase | Fecha de compra | Date de l'achat  
\$

7. Store Name | Nombre de la tienda | Nom du magasin

8. Purchase Price | Precio de compra | Prix d'achat

9. Your Gender | Sexo | Sexe:

- Male | Masculino | Masculin  
 Female | Femenino | Féminin

10. Which product are you registering?

¿Qué producto está registrando?  
Quel produit enregistrez-vous?

1.  Gas Grill | Parrilla a gas | Gril au gaz  
2.  Electric Grill | Parrilla eléctrica | Gril électrique  
3.  Smoker | Ahumador | Fumoir  
4.  Charcoal Grill | Parrilla a carbón | Barbecue au charbon  
5.  Cooker/Fryer | Cocina/freidora | Cuiseur/Friteuse  
6.  Other | Otro | Autre

Mail to: / Enviar a: / Envoyer à :

Char-Broil Warranty Registration  
P.O. Box 1240  
Columbus, GA 31902-1240

We respect your privacy. | Respetamos su privacidad. | Nous respectons votre vie privée.

- If you prefer not to receive special offers and promotions from Char-Broil, please check here:
- Marque aquí si no desea recibir ofertas y promociones especiales de Char-Broil:
- Si vous préférez ne pas recevoir d'informations concernant des offres spéciales et des promotions de Charbroil, veuillez cocher ici:

Thank you for completing this questionnaire. | Gracias por completar este cuestionario. | Merci d'avoir bien voulu remplir ce questionnaire.



©2017 Char-Broil, LLC. Columbus, GA, 31904. Printed in China. Imprimé en China. Impreso en China.

©2017 Assembly instructions. ©2017 Assemblée des instructions. ©2017 Instrucciones de ensamblado.

The product associated with this guide was manufactured in China. Le produit associé à ce guide a été fabriqué en Chine.

Tel producto asociado con esta guía ha sido fabricado en China.

