

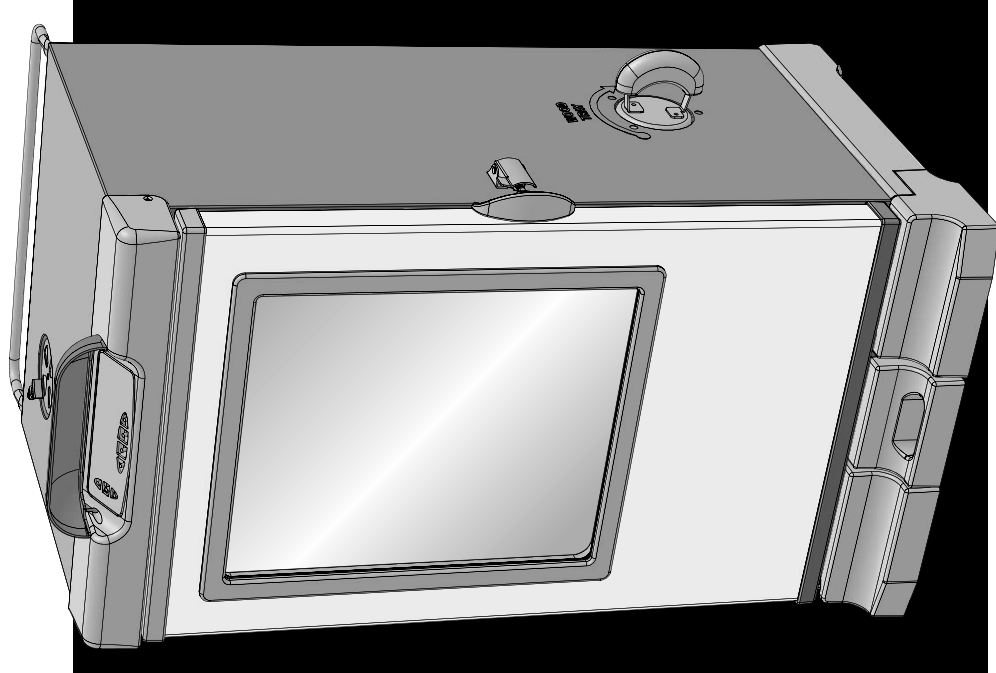


MASTERBUILT®

**Masterbuilt Manufacturing, LLC
1 Masterbuilt Ct.
Columbus, GA 31907**

**Customer Service 1-800-489-1581
Service à la clientèle 1-800-489-1581
Servicio de atención al cliente 1-800-489-1581
support.masterbuilt.com**

www.masterbuilt.com



**DIGITAL
ELECTRIC SMOKER**

**FUMOIR ÉLECTRIQUE
NUMÉRIQUE**

**AHUMADOR
ELECTRICO**

IMPORTANT! / IMPORTANTE!

Please record this information immediately and keep in a safe place for future use.
S'il vous plaît noter cette information immédiatement et conserver dans un endroit sûr pour une utilisation future.
Por favor, registrar esta información inmediatamente y guardar en un lugar seguro para su uso futuro.

Model number / Numéro de modèle / Número de modelo

Mfg. Date - Serial Number / Date de fabrication - Numéro de série / Fecha Fabricado - Número de serie
These numbers are located on the rating label of the unit.
Le numéro de série se trouve sur la plaque signalétique de l'unité.
El número de serie se encuentra en la etiqueta de la unidad.

Actual product may differ from picture shown - Le produit réel peut différer de l'illustration - El producto real puede ser distinto de la imagen mostrada

**THIS PRODUCT IS FOR OUTDOOR HOUSEHOLD USE ONLY.
ASSEMBLY, CARE & USE MANUAL WARNING & SAFETY INFORMATION**

**CE PRODUIT EST DESTINÉ UNIQUEMENT À UNE
UTILISATION EN DOMESTIQUE EXTÉRIEUR.**

**MANUEL D'ASSEMBLAGE, D'ENTRETIEN ET D'UTILISATION
AVERTISSEMENTS ET INFORMATIONS RELATIVES À LA SÉCURITÉ**

**ESTE PRODUCTO ES SOLAMENTE DE USO DOMÉSTICO EN EXTERIORES.
MANUAL DE ENSAMBLAJE, CUIDADO Y USO INFORMACIÓN DE
ADVERTENCIAS Y SEGURIDAD**

Tools needed for assembly: Adjustable Wrench and Phillips Head Screwdriver

Approximate assembly time: 25 minutes *Actual product may differ from picture shown

Outils nécessaires pour l'assemblage : Clé ajustable et tournevis cruciforme

Temps nécessaire pour l'assemblage : environ 25 minutes * Le produit réel peut différer de l'illustration

Herramientas requeridas para el ensamblaje: Llave ajustable, destornillador Phillips o en cruz

Tempo aproximado de ensamblaje: 25 minutos *El producto real puede ser distinto de la imagen mostrada

Manual Code:9807140114 170303-GB

! WARNING !

This manual contains important information necessary for the proper assembly and safe use of the appliance.

Read and follow all warnings and instructions before assembling and using the appliance.

Follow all warnings and instructions when using the appliance.

Keep this manual for future reference.

! CARBON MONOXIDE HAZARD !

Burning wood chips gives off carbon monoxide, which has no odor and can cause death.

DO NOT burn wood chips inside homes, vehicles, tents, garages or any enclosed areas.

Use only outdoors where it is well ventilated.



Failure to follow these instructions could result in fire, explosion or burn hazard, which could cause property damage, personal injury or death.

**! WARNING !****CALIFORNIA PROPOSITION 65**

1. Combustion by-products produced when using this product contain chemicals known to the State of California to cause cancer, birth defects, and other reproductive harm.
2. This product contains chemicals known to the State of California to cause cancer, birth defects or other reproductive harm.

! GENERAL WARNINGS AND SAFETY INFORMATION !**READ ALL INSTRUCTIONS**

- Unit is for OUTDOOR HOUSEHOLD USE ONLY.
- Never use inside enclosed areas such as patios, garages, buildings or tents.
- Never use inside recreational vehicles or on boats.
- Never operate unit under overhead construction such as roof coverings, carports, awnings, or overhangs.
- Never use unit as a heater (READ CARBON MONOXIDE HAZARD).
- Maintain a minimum distance of 10ft (3m) from overhead construction, walls, rails or other structures.
- Keep a minimum 10ft (3m) clearance of all combustible materials such as wood, dry plants, grass, brush, paper, or canvas.
- Keep appliance clear and free from combustible materials such as gasoline and other flammable vapors and liquids.
- Use unit on a level, non-combustible, stable surface such as dirt, concrete, brick or rock.
- Unit MUST be on the ground. Do not place unit on tables or counters. Do NOT move unit across uneven surfaces.
- Do not use unit on wooden or flammable surfaces.
- Do not leave unit unattended.
- Never use unit for anything other than its intended use. This unit is NOT for commercial use.

**WARNINGS & IMPORTANT SAFEGUARDS
CONTINUED ON PAGE 3****INFORMACIÓN DE GARANTÍA LIMITADA**

Masterbuilt garantiza que sus productos no presentan defectos de fabricación, ni de material ni de la mano de obra, si se los ensambla correctamente, se los utiliza de forma normal y se los cuida según las recomendaciones, durante un período de 90 días a partir de la fecha de compra original.

La garantía de Masterbuilt no cubre el acabado de la pintura ya que puede salirse durante el uso normal.

La garantía de Masterbuilt no cubre la oxidación de la unidad.

Masterbuilt exige el comprobante razonable de la compra para realizar reclamos de la garantía y sugiere que conserve su recibo. Después de la fecha de vencimiento de la garantía, finalizarán todas las responsabilidades.

Durante el período de vigencia establecido de la garantía, Masterbuilt, a su criterio, reemplazará o reparará los componentes defectuosos sin costo alguno, debiendo hacerse responsable el propietario de los gastos de envío. Si Masterbuilt requiere la devolución del o los componentes en cuestión para su inspección, Masterbuilt será responsable de todos los cargos de envío para devolver el artículo solicitado.

Esta garantía excluye los daños ocasionados a la propiedad por el mal uso, el uso excesivo, los accidentes, el transporte o el uso comercial de este producto.

Esta garantía expresa es la única garantía entregada por Masterbuilt y reemplaza a todas las demás garantías, expresas o implícitas, incluidas las garantías implícitas de comercialización o idoneidad para cualquier fin en particular. Ni Masterbuilt ni el establecimiento minorista que ofrece este producto tienen autoridad alguna para otorgar garantías adicionales o prometer otros recursos que sean inconsistentes con los establecidos previamente. La responsabilidad máxima de Masterbuilt, en todos los casos, no superará el precio de compra del producto que el cliente o comprador original pagó. Algunos estados no permiten la exclusión o limitación de daños accidentales o resultantes. En dicho caso, no se aplicarán las exclusiones o limitaciones anteriores.

Sólo para residentes de California: A pesar de esta limitación de garantía, se aplican las siguientes restricciones específicas; si el mantenimiento, la reparación o el reemplazo del producto no se puede realizar comercialmente, el establecimiento minorista que ofrece el producto o Masterbuilt devolverá el monto original de la compra del producto, menos el monto directamente atribuible al uso por parte del comprador original antes de informar su desconformidad. El propietario puede llevar el producto al establecimiento minorista que lo ofrece a fin de obtener la ejecución de cualquier obligación en virtud de esta garantía.

Esta garantía expresa le otorga derechos legales específicos, y es posible que también tenga otros derechos que varían según el estado.



Visítenos en línea en: www.masterbuilt.com

o complete este formulario y envíelo a:

A la atención de: Warranty Registration

Masterbuilt Mfg. LLC

1 Masterbuilt Court - Columbus, GA 31907

Nombre: _____ Dirección: _____ Ciudad: _____

Estado/Provincia: _____ Código postal: _____ Número de teléfono: (____) - _____

Correo electrónico: _____

*Número de modelo: _____ *Número de serie: _____

Fecha de compra: _____ - _____ - _____ Lugar de compra: _____

*El número de modelo y el número de serie se encuentran en la etiqueta plateada en la parte posterior de la unidad.

GARANTIE LIMITÉE

Masterbuilt garantit ses produits contre tout vice de fabrication et de matériaux si leurs pièces sont assemblées comme il se doit et si l'appareil est utilisé dans des conditions normales, si son entretien est effectué selon les recommandations du fabricant, pour une période de 90 jours à partir de la date d'achat initiale.

Cette garantie de Masterbuilt ne couvre pas la finition de peinture, car elle risque de brûler lors de toute utilisation normale de l'appareil.

Cette garantie de Masterbuilt ne couvre pas la rouille pouvant apparaître sur l'appareil.

Masterbuilt requiert une preuve d'achat raisonnable afin de bénéficier de la garantie et vous recommande de conserver votre reçu. À l'expiration de la garantie, toute responsabilité et obligation en découlant cessera.

Lors de la période de garantie indiquée ci-dessus, Masterbuilt s'engage, à sa seule discrétion, à réparer ou à remplacer gratuitement les pièces défectueuses de l'appareil ou à fournir les pièces port payé par le propriétaire. Si Masterbuilt souhaite que des pièces lui soient renvoyées afin de les examiner, Masterbuilt s'engage à payer les frais d'expédition pour l'article en question.

Cette garantie ne couvre pas les dommages matériels survenant suite à une défaillance du produit ou à toute utilisation incorrecte ou négligence ainsi que tout mauvais traitement ou dommage découlant du transport ou entraîné par une utilisation commerciale de l'appareil.

Cette garantie exprime tout lieu de garantie unique offerte par Masterbuilt et remplace toute autre garantie expresse ou implicite, y compris toute garantie d'aptitude à la commercialisation ou d'adaptation à un usage particulier.

Ni Masterbuilt ni le magasin vendant ce produit n'ont le droit de stipuler d'autres garanties ou de promettre des recours supplémentaires ou incompatibles avec ce qui est susmentionné.

La responsabilité de Masterbuilt se limitera au prix d'achat de l'appareil payé par le consommateur/l'acheteur initial, sans que ce montant puisse être dépassé. Certains États et certaines provinces ne permettent pas l'exclusion ni la limitation de dommages directs ou indirects. Par conséquent, les exclusions ou limitations indiquées ci-dessus peuvent ne pas vous être applicables.

Résidents de la Californie uniquement : Nonobstant les limitations de cette garantie, les restrictions suivantes vous sont applicables; si réparer ou remplacer le produit en question ne s'avère pas rentable pour le revendeur, ce dernier ou Masterbuilt remboursera le prix payé d'achat du produit après dépréciation et après déduction d'une somme équivalente à la durée d'utilisation par l'acheteur initial avant la découverte du vice ou de la non-conformité. Le propriétaire peut possible de retourner le produit au magasin revendeur afin de bénéficier des services offerts par la garantie.

Cette garantie vous procure des droits juridiques spécifiques et vous pouvez également bénéficier d'autres droits en fonction de votre lieu de résidence.



Visitez en ligne www.masterbuilt.com
ou remplissez et renvoyez à

Attn : Warranty Registration
Masterbuilt Mfg., LLC

1 Masterbuilt Court - Columbus, GA 31907

Nom : _____ Adresse : _____ Ville : _____

État/Province : _____ Code postal : _____ Numéro de téléphone : (____) - _____

Adresse de courriel : _____

*Numéro de modèle : _____ *Numéro de série : _____

Date de l'achat : ____ - ____ - ____ Lieu de l'achat : _____

*Les numéros de série et de modèle se trouvent sur l'étiquette argentée derrière l'appareil.

! GENERAL WARNINGS AND SAFETY INFORMATION !

WARNINGS & IMPORTANT SAFEGUARDS CONTINUED FROM PAGE 2

- Keep a fire extinguisher accessible at all times while operating unit.
- Before each use check all nuts, screws and bolts to make sure they are tight and secure.
- Use of alcohol, prescription or non-prescription drugs may impair user's ability to properly assemble or safely operate unit.
- Keep children and pets away from unit at all times. Do NOT allow children to use unit. Close supervision is necessary should children or pets be in area where unit is being used.
- Do NOT allow anyone to conduct activities around unit during or following its use until it has cooled.
- Avoid bumping or impacting unit.
- Never move unit when in use. Allow unit to cool completely (below 115°F (45°C)) before moving or storing.
- The unit is HOT while in use and will remain HOT for a period of time afterwards and during cooling process. Use CAUTION. Wear protective gloves/mitts.
- Do not touch HOT surfaces.
- Do not use wood pellets.
- Never use glass, plastic or ceramic cookware in unit. Never place empty cookware in unit while in use.
- Accessory attachments not supplied by Masterbuilt Manufacturing, LLC are NOT recommended and may cause injury.
- Wood tray is HOT when unit is in use. Use caution when adding wood.
- Be careful when removing food from unit. All surfaces are HOT and may cause burns. Use protective gloves or long, sturdy cooking tools.
- Always use unit in accordance with all applicable local, state and federal fire codes.
- Dispose of cold ashes by placing them in aluminum foil, soaking with water and discarding in a non-combustible container.
- Do not store unit with HOT ashes inside unit. Store only when all surfaces are cold.
- When using electrical appliances, basic safety precautions should always be followed including the following:
 - Do not plug in electric smoker until fully assembled and ready for use.
 - Use only approved grounded electrical outlet.
 - Do not use during an electrical storm.
 - Do not expose electric smoker to rain or water at anytime.
 - To protect against electrical shock do not immerse cord, plug or control panel in water or other liquid.
- Do not operate any appliance with a damaged cord or plug, or after appliance malfunctions or has been damaged in any manner. Contact Masterbuilt Customer Service for assistance at 1-800-489-1581.
- Longer detachable power-supply cords or extension cords are available and may be used if care is exercised in their use.

WARNINGS & IMPORTANT SAFEGUARDS CONTINUED ON PAGE 4

! GENERAL WARNINGS AND SAFETY INFORMATION !

WARNINGS & IMPORTANT SAFEGUARDS CONTINUED FROM PAGE 3

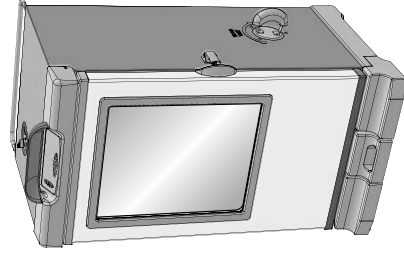
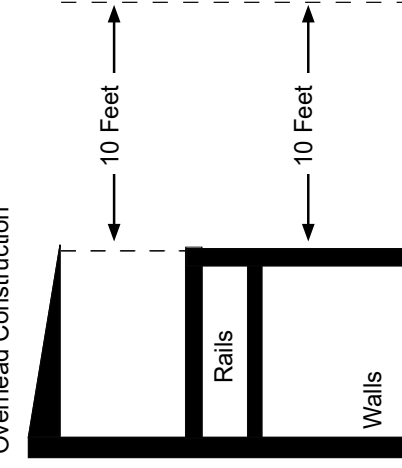
- If a longer detachable power-supply cord or extension cord is used: 1. The marked electrical rating of the cord set or extension cord should be at least as great as the electrical rating of the appliance; and 2. The cord should be arranged so that it will not drape over the counter top or tabletop where it can be pulled by children or tripped over unintentionally.
- The extension cord must be a grounding -type 3-wire cord.
- Outdoor extension cords must be used with outdoor use products and are marked with suffix "W" and with the statement "Suitable for Use with Outdoor Appliances."
- CAUTION - To reduce the risk of electric shock, keep extension cord connection dry and off the ground.
- Do not let cord hang on or touch hot surfaces.
- Do not place on or near a hot gas or electric burner, or in a heated oven.
- Fuel, such as charcoal briquettes or heat pellets, are not to be used in electric smoker.
- To disconnect, turn control panel "OFF" then remove plug from outlet.
- Unplug from outlet when not in use and before cleaning. Allow unit to cool completely before adding/removing racks, drip tray or water bowl.
- Drip tray is only for the bottom of electric smoker. Do not put drip tray on rack. This may damage electric smoker.
- Do not cover racks with metal foil. This will trap heat and cause severe damage to electric smoker.
- Do not clean this product with a water sprayer or the like.

SAVE THESE INSTRUCTIONS

STRUCTURAL PROXIMITY AND SAFETY USAGE RECOMMENDATIONS

REMEMBER:
NEVER OPERATE THIS SMOKER UNDER ANY OVERHEAD CONSTRUCTION.
MAINTAIN A MINIMUM DISTANCE OF 10 FEET FROM OVERHEAD CONSTRUCTION, WALLS OR RAILS.

Overhead Construction



! WARNING:
ELECTRIC POWER CORD IS A TRIP HAZARD !

LIMITED WARRANTY INFORMATION

Masterbuilt warrants its products to be free from defects in material and workmanship under proper assembly, normal use and recommended care for 90 days from the date of original retail purchase.

Masterbuilt warranty does not cover paint finish as it may burn off during normal use.

Masterbuilt warranty does not cover rust of the unit.

Masterbuilt requires reasonable proof of purchase for warranty claims and suggests that you keep your receipt. Upon the expiration of such warranty, all such liability shall terminate.

Within the stated warranty period, Masterbuilt, at its discretion, shall repair or replace defective components free of charge with owner being responsible for shipping. Should Masterbuilt require return of component(s) in question for inspection Masterbuilt will be responsible for shipping charges to return requested item.

This warranty excludes property damage sustained due to misuse, abuse, accident, damage arising out of transportation, or damage incurred by commercial use of this product.

This expressed warranty is the sole warranty given by Masterbuilt and is in lieu of all other warranties, expressed or implied including implied warranty, merchantability, or fitness for a particular purpose.

Neither Masterbuilt nor the retail establishment selling this product, has authority to make any warranties or to promise remedies in addition to or inconsistent with those stated above.

Masterbuilt's maximum liability, in any event, shall not exceed the purchase price of the product paid by the original consumer/ purchaser. Some states do not allow the exclusion or limitation of incidental or consequential damages. In such a case, the above limitations or exclusions may not be applicable.

California residents only: Notwithstanding this limitation of warranty, the following specific restrictions apply; if service, repair, or replacement of the product is not commercially practical, the retailer selling the product or Masterbuilt will refund the purchase price paid for the product, less the amount directly attributable to use by the original buyer prior to the discovery of the nonconformity. Owner may take the product to the retail establishment selling this product in order to obtain performance under warranty.

This expressed warranty gives you specific legal rights, and you may also have other rights which vary from state to state.



Go online www.masterbuilt.com
or complete and return to
Attn: Warranty Registration
Masterbuilt Mfg., LLC
1 Masterbuilt Court - Columbus, GA 31907

Name: _____ Address: _____ City: _____

State/Province: _____ Postal Code: _____ Phone Number: (____) - _____

E-mail Address: _____

*Model Number: _____ *Serial Number: _____

Purchase Date: ____ - ____ - ____ Place of Purchase: _____

*Model Number and Serial Number are located on silver label on back of unit.

FCC WARNING

This device complies with Part 15 of the FCC Rules. Operation is subject to the following two conditions:

- (1) this device may not cause harmful interference, and
- (2) this device must accept any interference received, including interference that may cause undesired operation.

FCC Warning

Warning: Changes or modifications to this unit not expressly approved by the party responsible for compliance could void the user's authority to operate the equipment.

FCC Statement

NOTE: This equipment has been tested and found to comply with the limits for a Class B digital device, pursuant to Part 15 of the FCC Rules. These limits are designed to provide reasonable protection against harmful interference in a residential installation. This equipment generates uses and can radiate radio frequency energy and, if not installed and used in accordance with the instructions, may cause harmful interference to radio communications.

However, there is no guarantee that interference will not occur in a particular installation. If this equipment does cause harmful interference to radio or television reception, which can be determined by turning the equipment off and on, the user is encouraged to try to correct the interference by one or more of the following measures:

1. Reorient or relocate the receiving antenna.
2. Increase the separation between the equipment and receiver.
3. Connect the equipment into an outlet on a circuit different from that to which the receiver is connected.
4. Consult the dealer or an experienced radio/TV technician for help.

AVERTISSEMENT DE LA FCC

Cet appareil est conforme à la partie 15 du règlement de la FCC. Le fonctionnement est soumis aux deux conditions suivantes :

- (1) cet appareil ne doit pas causer d'interférences nuisibles, et
- (2) cet appareil doit accepter toute interférence reçue, y compris des interférences qui peuvent provoquer un fonctionnement non désiré.

Avertissement de la FCC

Avertissement : Tout changement ou modification, non expressément approuvé par la partie responsable de la conformité, peut annuler l'autorisation de l'utilisateur à utiliser cet appareil.

Déclaration de la FCC

REMARQUE : Cet appareil a été testé et est conforme aux limites imposées aux dispositifs numériques de classe B, conformément à la section 15 des règlements du FCC. Ces limites sont conçues pour offrir une protection raisonnable contre les interférences nuisibles dans une installation résidentielle. Cet appareil génère, utilise et peut émettre une énergie radiofréquence et peut, s'il n'est pas installé et utilisé selon les consignes, causer des interférences nuisibles aux communications radios. Cependant, il n'y a aucune garantie que des interférences ne se produiront pas dans une installation donnée. Si cet appareil cause des interférences nuisibles à la réception des signaux de radio ou de télévision, ce qui peut être déterminé en allumant et en éteignant l'appareil, on encourage l'utilisateur d'essayer de corriger ces interférences par l'un des moyens suivants :

1. Réorienter l'antenne réceptrice ou la placer à un autre endroit.
2. Augmenter la distance entre l'appareil et le récepteur.
3. Brancher l'appareil dans une prise de courant se trouvant sur un circuit électrique autre que celui auquel il est branché actuellement.
4. Communiquer avec un technicien radio/télévision pour obtenir de l'aide.

ADVERTENCIA DE LA FCC

Este dispositivo cumple con la Parte 15 de las Reglas de la FCC. La operación está sujeta a las siguientes dos condiciones:

- (1) este dispositivo no puede causar interferencias dañinas y
- (2) este dispositivo debe aceptar cualquier interferencia recibida, incluyendo la interferencia que pueda causar una operación no deseada.

Advertencia de la FCC

Advertencia: Los cambios o modificaciones a esta unidad que no estén explícitamente aprobados por la parte responsable para el cumplimiento, podrían invalidar la autoridad del usuario de operar el equipo.

Declaración de la FCC

NOTA: Este equipo ha sido probado y se ha demostrado que cumple con los límites para un dispositivo digital Clase B, conforme a la Parte 15 de las Reglas de la FCC. Estos límites han sido diseñados para ofrecer una protección razonable contra interferencias dañinas en una instalación residencial. Este equipo genera, usa y puede irradiar una energía de radiofrecuencia y, si no se instala y usa en conformidad con las instrucciones, podría ocurrir una interferencia dañina a las radiocomunicaciones.

Sin embargo, no hay garantía de que las interferencias no vayan a ocurrir en una instalación en particular. Si este equipo causa interferencias dañinas a la recepción de radio o televisión, lo que puede determinarse encendiendo y apagando el equipo, el usuario deberá intentar corregir la interferencia mediante una o más de las siguientes medidas:

1. Reorientar o reubicar la antena de recepción.
2. Aumentar la separación entre el equipo y el receptor.
3. Conecte el equipo en un tomacorriente en un circuito distinto de donde está conectado el receptor.
4. Consulte con el representante o un técnico experimentado en radio/TV si necesita ayuda.

MASTERBUILT TIPS FOR SUCCESSFUL SMOKING

- This is a slow smoker... allow sufficient time for cooking. Smoker is for **OUTDOOR HOUSEHOLD USE ONLY**.
- Pre-season smoker prior to first use. See **PRE-SEASON INSTRUCTIONS**.
- Pre-heat smoker for 30 to 45 minutes at max temperature before loading food.
- If wood chips do not smoke on low setting, increase temperature to 275°. After 8 to 10 minutes or when wood chips begin to smolder, reduce temperature to desired low setting.
- You may use dry or pre-soaked wood chips in your smoker. Dry chips will burn faster and produce more intense smoke. Chips pre-soaked in water (for approximately 30 minutes) will burn slower and produce a less intense smoke.
- **DO NOT** cover racks with aluminum foil as this will not allow heat to circulate properly.
- Do not overload smoker with food. Extra large amounts of food may trap heat, extend cooking time and cause uneven cooking. Leave space between food on racks and smoker sides to ensure proper heat circulation. If utilizing cooking pans, place pans on center of rack to ensure even cooking. Never use glass, plastic or ceramic cookware in unit.
- Extreme cold temperatures may extend cooking times.
- **CLEAN AFTER EVERY USE**. This will extend the life of your smoker and prevent mold and mildew. See **HOW TO CLEAN AND STORE SMOKER** instructions.

ENJOY!

HOW TO CLEAN AND STORE SMOKER

Be sure to clean smoker after each use. Make sure your smoker is unplugged and completely cool.

For rack supports, racks, water bowl and drip pan use a mild dish detergent. Rinse and dry thoroughly.

For wood chip tray and wood chip loader, clean frequently to remove ash build up, residue and dust.

Dispose of cold ashes by placing them in aluminum foil, soaking with water and discarding in a non-combustible container.

For the interior, glass in door, and exterior of smoker, simply wipe down with a damp cloth. Do not use a cleaning agent. Make sure to dry thoroughly.

After cleaning, store smoker in a covered and dry area.

When not in frequent use and using a cover, remember to check your smoker periodically to avoid possible rust and corrosion due to moisture buildup.

Watch a video with step by step instructions on how to clean your smoker at www.youtube.com/MasterbuiltElectricSmokehouse: Cleaning and Storage.

**ALWAYS MAKE SURE UNIT IS COOL
TO THE TOUCH BEFORE CLEANING AND STORING.**

AVERTISSEMENT

Ce manuel contient des informations qui sont nécessaires pour une utilisation sûre et appropriée de cet appareil.

Lire et respecter la totalité des instructions et des avertissements fournis avant d'assembler et d'utiliser l'appareil.

Respecter la totalité des instructions et des avertissements lors de l'utilisation de l'appareil.
Conserver ce manuel pour référence ultérieure.

DANGER DU MONOXYDE DE CARBONE

La combustion de copeaux de bois dégage du monoxyde de carbone qui n'a pas d'odeur et peut causer la mort.

NE brûlez PAS de copeaux de bois à l'intérieur d'habitats, de véhicules, de tentes, de garages ou d'espaces fermés.

Utilisez uniquement à l'extérieur avec de bonnes conditions de ventilation.

Le non-respect de ces instructions pourrait déclencher un incendie, une explosion ou infliger des brûlures, pouvant résulter en des dommages matériels, des blessures ou la mort.

 **Si no sigue estas instrucciones, podría producirse un peligro de incendio, explosión o quemadura, lo cual podría causar daños a la propiedad, lesiones personales o la muerte.**

AVERTISSEMENT

PROPOSITION 65 DE L'ÉTAT DE CALIFORNIE

1. Les sous-produits de combustion résultant de l'utilisation de ce produit contiennent des substances chimiques reconnues cancérogènes ou susceptibles de provoquer des malformations congénitales ou d'autres anomalies des fonctions de la reproduction.
2. Ce produit contient des substances chimiques reconnues cancérogènes par l'État de Californie, ou susceptibles de provoquer des malformations congénitales ou d'autres anomalies de la reproduction

RENSEIGNEMENTS GÉNÉRAUX **D'AVERTISSEMENT ET DE SÉCURITÉ**

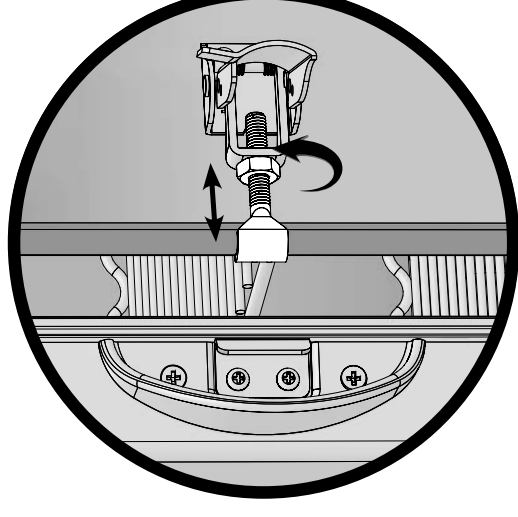
LIRE TOUTES LES INSTRUCTIONS

- Appareil destiné **EXCLUSIVEMENT** à une **UTILISATION EN EXTÉRIEUR SEULEMENT**.
- **Ne jamais** utiliser l'appareil dans un lieu fermé, tel qu'un patio, un garage, un édifice ou une tente.
- **Ne jamais** utiliser l'appareil à l'intérieur de véhicules récréatifs ou de bateaux.
- **Ne jamais** faire fonctionner l'appareil sous une structure surélevée telle qu'un toit, un abri d'auto, une marquise ou un auvent.
- **Ne jamais** utiliser l'appareil comme système de chauffage (**LIRE LE DANGER LIÉ AU MONOXYDE DE CARBONE**).
- Conserver une distance minimale de 3 m (10 pi) entre l'appareil et une structure surélevée, un mur, une rampe ou toute autre installation.
- Conserver une distance minimale de 3 m (10 pi) entre l'appareil et tout matériau combustible tel que le bois, les plantes sèches, le gazon, les broussailles, le papier ou la toile.
- Eloigner l'appareil de tout matériau combustible tel que l'essence ou autres liquides, gaz et vapeurs inflammables.
- Placer l'appareil sur une surface stable, plate et non combustible telle que la terre battue, le béton, la brique ou la pierre.
- L'appareil **DOIT** être posé au sol. Ne pas placer l'appareil sur une table ou un comptoir. Ne PAS déplacer l'appareil sur des surfaces inégales.
- Ne pas utiliser l'appareil sur des surfaces en bois ou inflammables.

**SUITE DES AVERTISSEMENTS ET CONSEILS
IMPORTANTES POUR LA SÉCURITÉ À LA PAGE 7**

HECHOS IMPORTANTES SOBRE EL USO DEL AHUMADOR

- La configuración de temperatura máxima es de 275°F (135°C).
- **NO** mueva la unidad por superficies desniveladas.
- El cargador de trozos de madera **DEBE** estar en su lugar cuando se use el ahumador. Esto minimiza la posibilidad de estallidos de la madera.
- Se debe usar trozos de madera para producir humo y crear el sabor de ahumado.
- Puede usar trozos de madera secos o previamente remojados en su ahumador. Los trozos secos se quemarán más rápido y producirán un humo más intenso. Los trozos previamente remojados en agua (por aproximadamente 30 minutos) se quemarán más lentamente y producirán un humo menos intenso.
- Revise la bandeja de grasa con frecuencia durante la cocción. Vacíe la bandeja de grasa antes que se llene. La bandeja de grasa puede necesitar un vaciado frecuente durante la cocción.
- No abra la puerta del ahumador a menos que sea necesario. Abrir la puerta del ahumador hace que el calor se escape y puede hacer que la madera estalle. Cerrar la puerta volverá a estabilizar la temperatura y detendrá cualquier estallido.
- **NO** deje cenizas de madera antiguas en la bandeja de trozos de madera. Una vez que las cenizas estén frías, vacíe la bandeja. La bandeja debe limpiarse antes de y después de cada uso para evitar la acumulación de cenizas.
- Este es un ahumador. Se producirá una gran cantidad de humo cuando se usen los trozos de madera. El humo se escapará a través de las ranuras y hará que el interior del ahumador se ponga negro. Esto es normal. Para minimizar la pérdida de humo alrededor de la puerta, se puede ajustar el seguro para ajustar más el sello de la puerta contra el cuerpo.
- Abrir la puerta del ahumador durante el proceso de cocción puede extender la cocción debido a la pérdida de calor.
- Cuando la temperatura externa sea menor de 65°F (18°C) y/o la altitud mayor de 3,500 pies (1067m), puede ser necesario un tiempo de cocción adicional. Para asegurarse de que la carne esté completamente cocida, use un termómetro de carne para probar la temperatura interna.
- Para ajustar el seguro de la puerta, afloje la tuerca hexagonal en el seguro de la puerta. Gire el gancho hacia la derecha para ajustar como se muestra. Asegure la tuerca hexagonal firmemente contra el seguro de la puerta. (ver diagrama)



INSTRUCCIONES DEL CURADO PREVIO

CURE PREVIAMENTE SU AHUMADOR ANTES DEL PRIMER USO.

Algo de humo puede aparecer durante este momento, esto es normal.

1. Asegúrese que la bandeja de agua esté en su lugar SIN AGUA.
2. Configure la temperatura a 275°F (135°C) y encienda la unidad por 3 horas.
3. Para completar el curado previo, durante los últimos 45 minutos, añada ½ taza de trozos de madera en el cargador de trozos de madera y descárguelos en la bandeja para tal fin. Esta cantidad es equi valente a los contenidos de un cargador de trozos de madera lleno.
4. Apague y deje enfriar.

NOTA: Nunca agregue más de ½ taza (1 cargador de trozos lleno) a la vez. No se debe agregar trozos de madera adicionales hasta que cualquier trozo previamente añadido haya terminado de generar humo.

CÓMO USAR EL CARGADOR DE TROZOS DE MADERA

Cómo usar el cargador de trozos de madera:

- Antes de iniciar la unidad, coloque ½ taza de trozos de madera en el cargador.
- Nunca use más que ½ taza de trozos de madera a la vez. Nunca use leños grandes o perlas de madera.
- Inserte el cargador de trozos de madera en el ahumador. Los trozos de madera deben nivelarse con el borde superior del cargador de trozos de madera.
- Gire el asa hacia la derecha, en dirección de la marca de la flecha en el ahumador para descargar la madera. La madera caerá en el cargador de trozos de madera. Gire el asa hacia la izquierda, hasta una posición recta y deje el cargador de trozos de madera en su lugar.
- Verifique la bandeja de trozos de madera periódicamente para ver si la madera se ha consumido retirando el cargador de trozos de madera y observando el ahumador a través del orificio. Agregue más trozos de madera según sea necesario.
- El cargador de trozos de madera debe sacarse totalmente cuando se verifique el nivel de trozos de madera.

Cómo agregar más trozos de madera durante el proceso de ahumado:

- Retire el cargador de trozos de madera del ahumador.
- Coloque los trozos de madera en el cargador de trozos de madera e insértelo en el ahumador.
- Gire el asa hacia la derecha, en dirección de la marca de la flecha en el ahumador para descargar la madera. La madera caerá en la bandeja de trozos de madera.
- La temperatura podría aumentar rápidamente por un corto tiempo luego de agregar la madera. Se estabilizará luego de un breve momento.
- No ajuste la configuración de temperatura.

Precaución:

- Mantenga la puerta del ahumador cerrada cuando agregue los trozos de madera.
- El cargador de trozos de madera estará CALIENTE incluso si el asa no lo está.
- Nunca use leños grandes o perlas de madera.

CAUTION



When door is opened a flare up may occur. Should wood chips flare up, immediately close door and vent, wait for wood chips to burn down, then open door again. Do not spray with water.

CÓMO USAR EL TAZÓN DE AGUA

Cómo usar el tazón de agua:

- Espere hasta que el ahumador llegue a la temperatura deseada.
- Llene el tazón de agua hasta la línea de llenado con agua o líquidos como juego de manzana o de piña en vez de agua.
- También puede agregar tajadas de fruta, cebollas o hierbas secas frescas en el agua para combinar distintos sabores sutiles en sus alimentos ahumados.

Consejos: Para pollo u otros alimentos altamente húmedos, no se requiere líquido o sino muy poco.



RENSEIGNEMENTS GÉNÉRAUX D'AVERTISSEMENT ET DE SÉCURITÉ

SUITE DES AVERTISSEMENTS ET CONSEILS IMPORTANTES POUR LA SÉCURITÉ DE LA PAGE 6

- Ne pas laisser l'appareil sans surveillance.
- Ne pas utiliser l'appareil à d'autres fins que celle pour laquelle il a été conçu. NE PAS utiliser cet appareil à des fins commerciales.
- Conserver un extincteur accessible à tout moment pendant le fonctionnement de l'appareil.
- Avant toute utilisation, vérifier la totalité des écrous, des vis et des boulons afin de s'assurer qu'ils sont bien serrés.
- La consommation d'alcool ou de médicaments, sous ordonnance ou en vente libre, peut affecter la capacité de l'utilisateur à assembler correctement l'appareil ou à le faire fonctionner de manière sûre.
- Éloigner les enfants et les animaux de l'appareil en tout temps. NE PAS laisser les enfants utiliser l'appareil. Une surveillance attentive est nécessaire si des enfants ou des animaux sont présents à proximité de l'appareil en cours d'utilisation.
- NE permettre à PERSONNE de mener des activités autour de l'appareil pendant ou après son fonctionnement, tant qu'il n'a pas refroidi.
- Éviter de cogner ou de frapper l'appareil.
- Ne jamais déplacer l'appareil pendant l'utilisation. Attendre que l'appareil ait refroidi complètement (température inférieure à 45 °C [115 °F]) avant de le déplacer ou de l'entreposer.
- L'appareil est CHAUD en cours d'utilisation et reste CHAUD un certain temps et pendant le refroidissement. Faire ATTENTION. Porter des gants de protection.
- Ne pas toucher les surfaces CHAUDES.
- Ne pas utiliser de granules de bois.
- Ne jamais placer de verre, de plastique ni de céramique dans l'appareil. Ne pas mettre d'articles de cuisine vides dans l'appareil pendant son utilisation.
- L'utilisation d'accessoires non fournis par Masterbuilt Manufacturing, LLC N'est PAS recommandée et peut provoquer des blessures.
- Le bac à bois est CHAUD quand l'appareil est en cours d'utilisation. Faire preuve de prudence en ajoutant du bois.
- Retirer les aliments de l'appareil avec prudence. Toutes les surfaces sont CHAUDES et peuvent infliger des brûlures. Utiliser des gants de protection ou des ustensiles de cuisine longs et résistants.
- Toujours utiliser l'appareil conformément à tous les codes d'incendie locaux, fédéraux et provinciaux en vigueur.
- Jeter les cendres froides en les enveloppant dans une feuille d'aluminium, puis en trempant le tout dans de l'eau avant de le jeter dans un récipient non combustible.
- Ne pas entreposer l'appareil avec des cendres encore CHAUDES à l'intérieur. Ne l'entreposer que lorsque toutes les surfaces sont froides.
- Lors de l'utilisation d'appareils électriques, des précautions de sécurité de base doivent toujours être suivies, dont les suivantes :
 - Ne brancher le fumoir que lorsqu'il est entièrement assemblé et prêt à l'emploi.
 - Utiliser une prise électrique mise à la terre homologuée.
 - Ne pas utiliser durant un orage électrique.
 - Ne jamais exposer le fumoir électrique à la pluie ou à l'eau.
 - Afin d'éviter les chocs électriques, ne pas immerger le cordon électrique, les fiches ni le panneau de contrôle dans de l'eau ou tout autre liquide.
- Ne pas faire fonctionner l'appareil avec une fiche ou un cordon d'alimentation endommagé, après qu'il ait présenté un dysfonctionnement ou s'il est endommagé d'une quelconque manière. Contacter le service à la clientèle de Masterbuilt pour obtenir de l'aide en composant le 1-800-489-1581.
- Des rallonges ou des cordons d'alimentation plus longs sont disponibles et peuvent être utilisés en faisant preuve de prudence.

SUITE DES AVERTISSEMENTS ET CONSEILS IMPORTANTES POUR LA SÉCURITÉ À LA PAGE 8



RENSEIGNEMENTS GÉNÉRAUX D'AVERTISSEMENT ET DE SÉCURITÉ



SUITE DES AVERTISSEMENTS ET CONSEILS IMPORTANTES POUR LA SÉCURITÉ DE LA PAGE 7

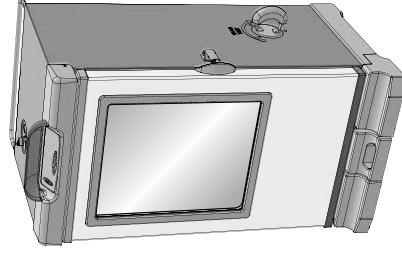
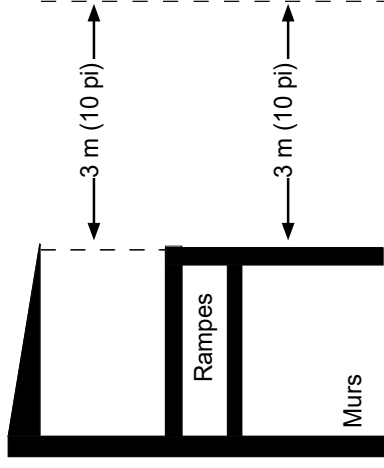
- Si une rallonge ou un cordon d'alimentation plus long est utilisé : 1. La capacité nominale du cordon ou de la rallonge doit correspondre au minimum à celle de l'appareil, et : 2. Le cordon doit être disposé de telle sorte qu'il ne pendra pas du comptoir ou de la table, ce qui permettrait à des enfants de tirer dessus ou risquerait de faire basculer l'appareil en accrochant le cordon par accident.
- La rallonge doit consister en un cordon à 3 fils avec mise à la terre.
- Les rallonges extérieures doivent être utilisées avec des appareils destinés à une utilisation en extérieur et doivent être marquées d'un « W » accompagné de la mention « Suitable for Use with Outdoor Appliances » (Approuvée pour des appareils à usage en extérieur).
- **ATTENTION** : pour réduire le risque de choc électrique, maintenir la rallonge sèche et au-dessus du sol.
- Ne pas laisser le cordon pendre au-dessus de surfaces chaudes ni les toucher.
- Ne pas placer l'appareil sur une plaque à gaz ou électrique allumée, ni à proximité, ni dans un four chaud.
- Du combustible tel que des briquettes de charbon ou des granulés de chauffage, ne doit pas être utilisé dans le fumoir électrique.
- Pour procéder au débranchement, mettre le panneau de commande sur « OFF/ARRÊT » puis retirer la fiche de la prise.
- Débrancher l'appareil lorsqu'il ne sert pas et avant de le nettoyer. Laisser l'appareil refroidir complètement avant d'ajouter/d'enlever des grilles, la lèchefrite ou le bac à eau.
- La lèchefrite est destinée uniquement à être placée en bas du fumoir électrique. Ne pas placer la lèchefrite sur une grille au risque d'endommager le fumoir électrique.
- Ne pas couvrir les grilles avec du papier métallique. En accumulant la chaleur, cela pourrait gravement endommager le fumoir électrique.
- Ne pas nettoyer cet article avec un système de pulvérisation d'eau ou similaire.

CONSERVER CES INSTRUCTIONS

PROXIMITÉ DE STRUCTURES ET RECOMMANDATIONS DE SÉCURITÉ

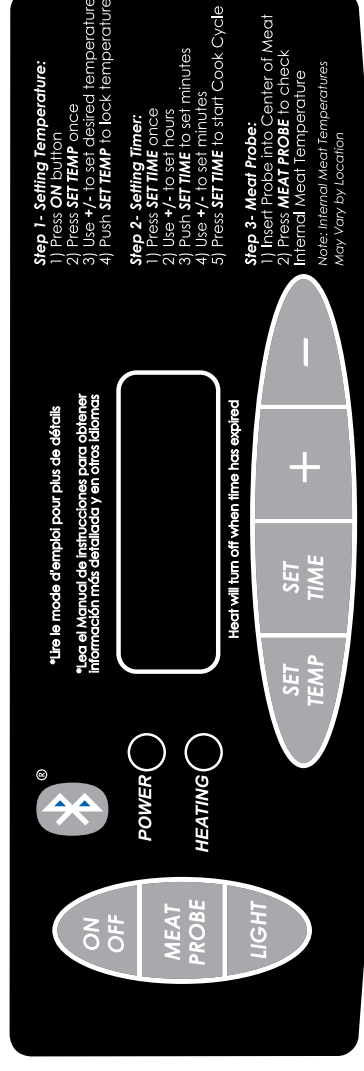
RAPPEL :
NE JAMAIS UTILISER CE FUMOIR SOUS
DES STRUCTURES SURÉLEVÉES
MAINTENIR UNE DISTANCE MINIMALE DE
3 M (10 PI) ENTRE LE GRIL ET LES
STRUCTURES SURÉLEVÉES, LES MURS
ET LES RAMPES.

Construction surélevée



AVERTISSEMENT :
RISQUE DE TRÉBUCHER
SUR LE CORDON
ÉLECTRIQUE
D'ALIMENTATION

CÓMO USAR EL PANEL DE CONTROL



Nota: La luz solar directa puede interferir con la habilidad de leer la pantalla LED, bloquee la luz de ser necesario.

Para configurar la temperatura:

- Presione el botón ON.
 - Presione el botón SET TEMP una vez, la luz LED empezará a titilar.
 - Use +/- para configurar la temperatura.
 - Presione el botón SET TEMP otra vez para fijar la temperatura.
- Nota:** No empezará a calentarse hasta que se configura el cronómetro.

Para configurar el cronómetro:

- Presione el botón SET TIME una vez, la pantalla LED para horas empezará a titilar.
- Use +/- para configurar las horas.
- Presione el botón SET TIME otra vez para fijar las horas. Los minutos LED empezarán a titilar.
- Use +/- para configurar los minutos.
- Presione el botón SET TIME para fijar los minutos y empezar el ciclo de cocción.

El calor se apagará cuando el tiempo haya expirado.

Para usar la sonda de carne:

- Inserte la sonda de carne para obtener la lectura más precisa.
- Presione y mantenga presionado el botón MEAT PROBE, la pantalla LED mostrará la temperatura interna de la carne.
- Una vez que suelte el botón MEAT PROBE, la pantalla LED retornará a configuración de temperatura o configuración de tiempo.

Para usar la luz:

- Presione el botón LIGHT para encender la luz.
- Presione el botón LIGHT para apagar la luz.

Para REANUDAR el panel de control:

Si el panel de control muestra un mensaje de error, apague el ahumador eléctrico, desenchufe la unidad del tomacorriente, espere diez segundos, vuelva a enchufar la unidad al tomacorriente y luego encienda el ahumador eléctrico. Esto reanudará el panel de control.

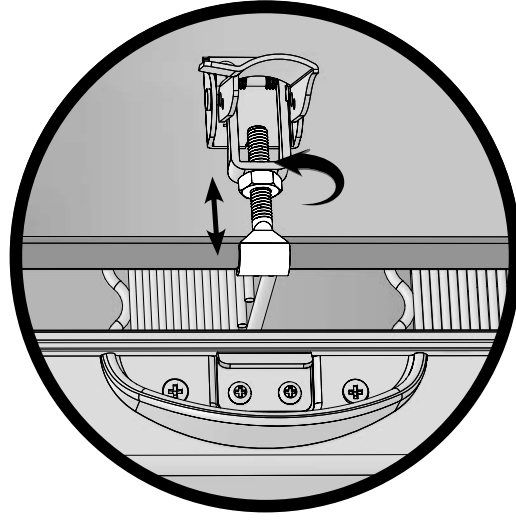
CÓMO USAR BLUETOOTH

Como emparejar su ahumador Bluetooth:

1. Ir a la App Store de Apple o Google Play Store en el dispositivo (s) y la búsqueda de “ Masterbuilt ” o ir a www.masterbuilt.com/apps .
2. Descarga la aplicación Masterbuilt.
3. Una vez finalizada la descarga , abre la aplicación Masterbuilt y siga las instrucciones para vincular el fumador y el dispositivo Bluetooth (s) móvil.
4. Para solucionar problemas de asesoramiento visite www.masterbuilt.com/apps.

REMARQUES IMPORTANTES SUR L'UTILISATION DU FUMOIR

- Le réglage maximal de la température est 275 °F (135 °C).
- NE PAS déplacer l'appareil sur des surfaces inégales.
- Le chargeur de copeaux de bois et le bac à copeaux DOIVENT être en place lors de l'utilisation du fumoir afin de réduire les risques de retour de flamme.
- Afin de produire de la fumée et de créer l'arôme fumé, il est nécessaire d'utiliser des copeaux de bois.
- Il est possible d'utiliser des copeaux de bois secs ou prétrempés dans le fumoir. Les copeaux secs brûlent plus vite et produisent une fumée plus intense. Les copeaux prétrempés dans l'eau (30 minutes environ) brûlent plus lentement et produisent une fumée moins intense.
- Vérifier souvent la lèchefrite en cours de cuisson. La vider avant qu'elle soit pleine. Il peut être nécessaire de vider la lèchefrite périodiquement durant la cuisson.
- Ne pas ouvrir la porte du fumoir sauf en cas de nécessité. Ouvrir la porte du fumoir entraîne une perte de chaleur et risque d'enflammer les copeaux de bois. Refermer la porte stabilise la température et éteint le retour de flamme.
- Ne pas laisser de vieilles cendres dans le bac à copeaux de bois. Une fois les cendres refroidies, vider le bac. Le bac doit être nettoyé avant et après chaque utilisation afin d'éviter l'accumulation de cendres.
- Cet appareil est un fumoir. L'utilisation de copeaux de bois produit beaucoup de fumée. La fumée s'échappe par les interstices et noircit l'intérieur du fumoir. C'est normal. Afin de minimiser la quantité de fumée qui s'échappe autour de la porte, son étanchéité peut être améliorée en ajustant le loquet de la porte.
- Ouvrir la porte du fumoir en cours de cuisson risque d'allonger le temps de cuisson à cause de la perte de chaleur.
- Lorsque la température extérieure est inférieure à 18 °C (65 °F) et/ou si l'altitude est supérieure à 1067 m (3500 pi), le temps de cuisson peut être plus long. Utiliser un thermomètre à viande pour vérifier la température interne de la viande afin de s'assurer de sa cuisson complète.
- Pour ajuster le verrouillage de la porte, desserrer l'écrou hexagonal du loquet. Faire tourner le crochet dans le sens des aiguilles d'une montre afin de le serrer ainsi qu'illustré. Serrer fermement l'écrou hexagonal contre le loquet. (Voir illustration).



LES ASTUCES DE MASTERBUILT POUR UN FUMAGE RÉUSSI

- C'est un fumeur lent ... laissez suffisamment de temps pour cuisiner. Le fumeur est destiné à une **UTILISATION EN EXTÉRIEUR SEULEMENT**.
- Culofter le fumoir avant la première utilisation. Voir les **INSTRUCTIONS DE CULOTTAGE**.
- Préchauffer le fumoir pendant 30 à 45 minutes à température maximale avant d'y placer les aliments.
- Avec des copeaux de bois, ne pas fumer à basse température mais l'augmenter à 275°. Après 8 à 10 minutes ou lorsque les copeaux sont en braise, réduire la température au réglage souhaité.
- Le fumoir peut être utilisé avec des copeaux de bois secs ou prétrempés. Les copeaux secs brûlent plus vite et produisent une fumée plus intense. Les copeaux prétrempés dans l'eau (30 minutes environ) brûlent plus lentement et produisent une fumée moins intense.
- NE PAS couvrir les grilles de papier d'aluminium au risque de gêner la circulation adéquate de la chaleur.
- Ne pas surcharger d'aliments le fumoir. De trop grandes quantités d'aliments risquent de piéger la chaleur, d'allonger la durée de cuisson et de rendre la cuisson inégale. Laisser de l'espace entre les aliments sur les grilles et entre les aliments et les côtés du fumoir afin d'assurer la libre circulation de la chaleur. En utilisant des plats de cuisson, les placer au centre de la grille pour une cuisson égale. Ne jamais utiliser de plats en verre, plastique ou céramique dans l'appareil.
- Des températures extrêmement froides peuvent prolonger les durées de cuisson.
- NETTOYER LE FUMOIR APRÈS CHAQUE UTILISATION pour prolonger sa durée de vie et éviter les moisissures. Voir les instructions : **COMMENT NETTOYER ET ENTREPOSER LE FUMOIR**.

PROFITEZ-EN!

COMMENT NETTOYER ET ENTREPOSER LE FUMOIR

Veiller à nettoyer le fumoir après chaque utilisation. S'assurer que le fumoir est débranché et complètement refroidi.

Pour les supports de grilles, grilles, bac à eau et lèchefrite, utiliser un détergent à vaisselle doux. Rincer et sécher soigneusement.

Nettoyer fréquemment le bac à copeaux de bois et le chargeur de copeaux afin d'éviter l'accumulation de cendres, résidus et poussière.

Mettre au rebut les cendres froides en les enveloppant dans une feuille d'aluminium, puis en trempant le tout dans de l'eau avant de le jeter dans un récipient non combustible.

Nettoyer l'intérieur, le verre de la porte et l'extérieur du fumoir en essuyant simplement les surfaces avec un chiffon humide. Ne pas utiliser de produit de nettoyage. Veiller à bien sécher ces surfaces.

Après l'avoir nettoyé, entreposer le fumoir dans un lieu couvert et sec.

Quand le fumoir n'est pas utilisé fréquemment et qu'il est couvert, penser à le vérifier périodiquement afin d'éviter la rouille et toute corrosion dues à l'accumulation d'humidité.

Regarder une vidéo avec des instructions étape par étape sur la façon de nettoyer votre fumoir à : [www.youtube.com/Masterbuilt Electric Smokehouse](http://www.youtube.com/MasterbuiltElectricSmokehouse): Cleaning and Storage (Nettoyage et stockage du fumoir Masterbuilt).

VEILLEZ À TOUJOURS VOUS ASSURER QUE L'APPAREIL EST FROID AU TOUCHER AVANT DE LE NETTOYER ET DE LE REMISER.

ADVERTENCIA

Este manual contiene información importante necesaria para el correcto ensamblaje y uso seguro del artefacto.

Lea y siga todas las advertencias e instrucciones antes de ensamblar y usar el aparato.


Siga todas las advertencias e instrucciones cuando use la unidad.

Conservar este manual para referencia en el futuro.

PELIGRO DE MONÓXIDO DE CARBONO

Quemar trozos de madera genera monóxido de carbono, el cual no tiene olor y puede causar la muerte. NO queme los trozos de madera dentro de los hogares, vehículos, tiendas de acampar, garajes o cualquier área cerrada.

Use solamente las áreas exteriores donde está bien ventilado.

 Si no sigue estas instrucciones, podría producirse un peligro de incendio, explosión o quemadura, lo cual podría causar daños a la propiedad, lesiones personales o la muerte.

ADVERTENCIA

PROPUESTA 65 DE CALIFORNIA

- Los subproductos combustibles producidos a raíz de la utilización de este producto contienen químicos cuyos efectos son reconocidos por el Estado de California por causar cáncer, defectos de nacimiento y otros daños reproductivos.
- Este producto contiene químicos, cuyos efectos son reconocidos por el Estado de California por causar cáncer, defectos de nacimiento u otros daños reproductivos.

INFORMACIÓN DE SEGURIDAD Y ADVERTENCIAS GENERALES

LEA TODAS LAS INSTRUCCIONES

- La unidad es USO EXTERIOR DEL HOGAR SÓLO.
- Nunca use dentro de áreas cerradas como patios, garajes, edificios o tiendas.
- Nunca use en vehículos recreativos o botes.
- Nunca opere esta unidad bajo ninguna construcción aérea, como cubiertas de techos, porches de autos, toldos o voladizos.
- Nunca utilice esta unidad como un calentador (LEER PELIGRO DE MONÓXIDO DE CARBONO).
- Mantenga una distancia mínima de 10 pies (3m) de construcciones aéreas, paredes, rieles u otras estructuras.
- Mantenga un mínimo de 10 pies (3m) de espacio libre de todos los materiales combustibles como madera, plantas secas, césped, escobillas, papel o lienzos.
- Mantenga el área alrededor del artefacto despejada y libre de materiales combustibles, como gasolina y otros vapores y líquidos inflamables.
- Use la unidad sobre una superficie no combustible y estable tal como tierra, concreto, ladrillo o piedra.
- La unidad DEBE estar sobre el suelo. No coloque la unidad en mesas o mostradores. NO mueva la unidad por superficies desiguales.
- No use la unidad en superficies de madera o inflamables.

LAS ADVERTENCIAS Y SALVAGUARDAS IMPORTANTES CONTINUAN EN LA PÁGINA 11

INSTRUCCIONES DE CULOTTAGE

CULOTTER LE FUMOIR AVANT LA PREMIÈRE UTILISATION.

De la fumée peut apparaître pendant cette période, c'est normal.

- Vérifier que la cuvette d'eau est en place ET SANS EAU.
- Régler la température à 275 °F (135 °C) et faire fonctionner le fumoir pendant trois heures.
- Pour terminer le culottage, ajouter 115 g (½ tasse) de copeaux de bois dans le chargeur de copeaux pour les 45 dernières minutes et décharger les copeaux de bois dans le bac à copeaux. Cette quantité équivaut au contenu d'un chargeur de copeaux plein.
- Éteindre et laisser refroidir.

REMARQUE : Ne jamais ajouter plus de 115 g (½ tasse à la fois = un chargeur plein). Ne pas ajouter de copeaux tant que le chargement précédent n'a pas cessé de produire de la fumée.

COMMENT UTILISER LE CHARGEUR À COPEAUX DE BOIS

Comment utiliser le chargeur à copeaux de bois :

- Avant d'allumer l'appareil, mettre 115 g (½ tasse) de copeaux de bois dans le chargeur à copeaux de bois.
- Ne jamais utiliser plus de 115 g (½ tasse) de copeaux à la fois. Ne jamais utiliser des morceaux de bois ni des granulés de bois.
- Placer le chargeur à copeaux de bois dans le fumoir. Les copeaux de bois doivent être à niveau avec le bord supérieur du chargeur à copeaux de bois.
- Pour décharger le bois, tourner la poignée dans le sens de l'aiguille marquée sur le fumoir. Les copeaux de bois tombent dans le bac à copeaux. Tourner la poignée dans le sens inverse des aiguilles d'une montre jusqu'à la position verticale et laisser le chargeur à copeaux de bois en place.
- Vérifier le bac à copeaux de bois de temps à autre pour voir si le bois a brûlé en enlevant le chargeur à copeaux de bois et en regardant dans le fumoir par le trou. Ajouter davantage de copeaux si nécessaire.
- Sortir complètement le chargeur à copeaux de bois du fumoir pour vérifier le niveau des copeaux.

Ajouter du bois en cours de fumage :

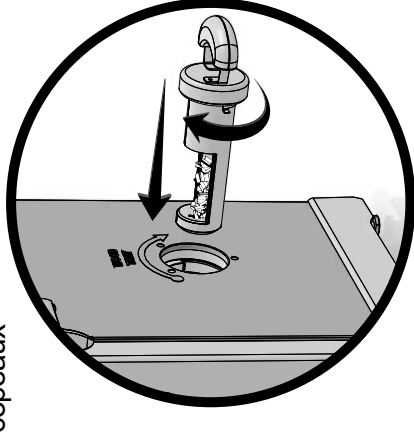
- Sortir le chargeur à copeaux de bois du fumoir.
- Mettre des copeaux de bois dans le chargeur à copeaux de bois et le replacer dans le fumoir.
- Pour décharger les copeaux, tourner la poignée dans le sens des aiguilles d'une montre dans la direction qu'indique la flèche marquée sur le fumoir pour décharger les copeaux de bois. Les copeaux tombent dans le bac à bois.
- Il se peut que la température s'élève brièvement après l'ajout des copeaux de bois. Elle se stabilise rapidement. Ne pas l'ajuster.

Attention :

- Maintenir la porte du fumoir fermée durant l'ajout de copeaux de bois.
- Le chargeur à copeaux de bois sera CHAUD même si la poignée ne l'est pas.
- Ne jamais utiliser de granulés ou de morceaux de bois.

ATTENTION

Un retour de flamme peut avoir lieu à l'ouverture de la porte. Si les copeaux s'enflamment, refermer la porte immédiatement et l'évent; attendre que les copeaux aient brûlé avant de rouvrir la porte. Ne pas pulvériser d'eau.



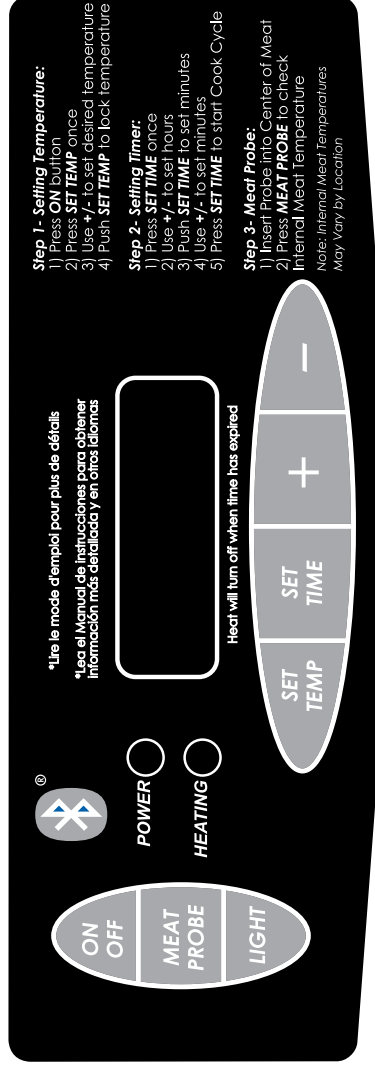
COMMENT UTILISER LE BAC À EAU

Comment utiliser le bac à eau :

- Attendre que le fumoir atteigne la température souhaitée.
- Remplir le bac à eau jusqu'à la ligne de remplissage avec de l'eau ou des liquides tels que du jus de pommes ou d'ananas à la place de l'eau.
- On peut aussi ajouter dans l'eau des tranches de fruits, d'oignons ou d'herbes aromatiques fraîches séchées afin de parfumer subtilement les aliments fumés.

Astuce : pour le poulet et les autres aliments à haute teneur en humidité, il n'est pas nécessaire d'ajouter du liquide ou très peu.

UTILISATION DU PANNEAU DE COMMANDE



Remarque : La lumière directe du soleil peut empêcher de lire correctement l'afficheur à DEL; au besoin, bloquez la lumière.

Pour régler la température :

- Appuyez sur le bouton ON.
 - Appuyez une fois sur le bouton SET TEMP; l'afficheur à DEL se mettra à clignoter.
 - Utilisez les boutons +/- pour régler la température.
 - Appuyez de nouveau sur le bouton SET TEMP pour fixer la température.
- Remarque : L'appareil ne commence pas à chauffer tant que la minuterie n'est pas réglée.

Pour régler la minuterie :

- Appuyez une fois sur le bouton SET TIME; l'afficheur à DEL des heures se mettra à clignoter.
- Utilisez les boutons +/- pour régler les heures.
- Appuyez de nouveau sur le bouton SET TIME pour fixer les heures. La DEL des minutes commencera à clignoter.
- Utilisez les boutons +/- pour régler les minutes.
- Appuyez sur SET TIME pour fixer les minutes et lancer le cycle de cuisson.

La chaleur s'éteindra lorsque la durée est écoulée.

Pour utiliser le thermomètre à viande :

- Insérez le thermomètre à viande au centre de la viande pour obtenir la lecture la plus précise.
- Appuyez sur le bouton MEAT PROBE et tenez-le enfoncé – l'afficheur à DEL indiquera la température interne de la viande.
- Une fois que vous aurez relâché le bouton MEAT PROBE, l'afficheur à DEL affiche de nouveau la température ou la durée fixée.

Pour utiliser la lampe :

- Appuyez sur le bouton LIGHT pour allumer la lampe.
- Appuyez sur le bouton LIGHT pour éteindre la lampe.

Pour RÉINITIALISER le panneau de commande :

Si le panneau de commande affiche un message d'erreur, débranchez l'appareil de la prise murale, attendez dix secondes, rebranchez l'appareil sur la prise murale, puis rallumez le fumoir. Cela réinitialisera le panneau de commande.

COMMENT UTILISER BLUETOOTH

Comment coupler votre fumeur Bluetooth:

1. Aller à l'Apple App Store ou Google Play Store sur votre appareil (s) et la recherche de "Masterbuilt" ou aller à www.masterbuilt.com/apps.
2. Téléchargez l'application Masterbuilt.
3. Une fois le téléchargement terminé, ouvrez l'application Masterbuilt et suivez les instructions pour le jumelage de votre fumeur Bluetooth et le dispositif (s) mobile.
4. Pour obtenir des conseils de dépannage s'il vous plaît visitez www.masterbuilt.com/apps.

INFORMACIÓN DE SEGURIDAD Y ADVERTENCIAS GENERALES

ADVERTENCIAS Y SALVAGUARDAS IMPORTANTES CONTINUACION DESDE LA PAGINA 10

- No deje la unidad desatendida.
- Nunca use esta unidad para ninguna otra cosa que no sea su propósito intencionado.
- Esta unidad NO es para uso comercial.
- Conserve un extintor de incendios accesible en todo momento mientras opere la unidad.
- Antes de cada uso, verifique todas las tuercas, tornillos y pernos para asegurarse que estén firmes y asegurados.
- El uso de alcohol y de medicamentos con o sin receta pueden obstaculizar la habilidad del usuario de ensamblar u operar correctamente la unidad.
- Mantenga a los niños y mascotas lejos de la unidad en todo momento. NO permita que los niños usen la unidad. Es necesaria una supervisión cercana si hay niños o mascotas en el área donde se usa la unidad.
- NO permita que nadie realice actividades alrededor a esta unidad durante o después de su uso hasta que se haya enfriado.
- Evite golpear o chocar la unidad.
- Nunca mueva la unidad cuando esté en uso. Deje que la unidad se enfríe completamente (por debajo de los 115°F (45°C) antes de moverla o guardarla.
- La unidad está CALIENTE mientras está en uso y permanecerá CALIENTE por un cierto período de tiempo y durante el proceso de enfriamiento. Tenga PRECAUCIÓN. Use guantes/mitones de protección.
- No toque las superficies CALIENTES.
- No use perlas de madera.
- Nunca use recipientes de vidrio, plástico o cerámica en la unidad. Nunca coloque utensilios vacíos en la unidad mientras esté en uso.
- No se recomienda usar accesorios adicionales no suministrados por Masterbuilt Manufacturing, LLC puesto que podrían causar lesiones.
- La bandeja de madera está CALIENTE cuando la unidad está en uso. Use precaución cuando agregue madera.
- Tenga cuidado cuando retire los alimentos de la unidad. Todas las superficies están CALIENTES y pueden causar quemaduras.
- Use guantes protectores o herramientas de cocina largas y robustas.
- Siempre use la unidad en conformidad con todos los códigos contra incendios locales, estatales y federales aplicables.
- Deseche las cenizas frías colocándolas en papel aluminio, remojándolas en agua y desechándolas en un contenedor no combustible.
- No almacene la unidad con cenizas CALIENTES dentro de la unidad. Almacene únicamente cuando todas las superficies estén frías.
- Cuando use artefactos eléctricos, siempre se deben seguir las precauciones básicas de seguridad, incluyendo las siguientes:
 - No enchufe el ahumador eléctrico hasta que esté completamente ensamblado y listo para usarse.
 - Use únicamente un tomacorrientes eléctrico puesto a tierra aprobado.
 - No use el artefacto durante una tormenta eléctrica.
 - No exponga el ahumador eléctrico a la lluvia o al agua en ningún momento.
 - Para protegerse contra una descarga eléctrica, no sumerja el cable, enchufe o panel de control en agua u otro líquido.
 - No opere ningún artefacto con un cable o enchufe dañado, o si el artefacto se malogra o se ha dañado de alguna manera. Contacte al Servicio de atención al cliente de Masterbuilt si desea asistencia al 1-800-489-1581.
 - Los cables de alimentación desmontables más largos o cables de extensión pueden usarse si se tiene cuidado en su uso.

LAS ADVERTENCIAS Y SALVAGUARDAS IMPORTANTES CONTINUÁN EN LA PÁGINA 12



INFORMACIÓN DE SEGURIDAD Y ADVERTENCIAS GENERALES



ADVERTENCIAS Y SALVAGUARDAS IMPORTANTES CONTINUACIÓN DESDE LA PAGINA 11

- Si se usa un cable de alimentación desmontable o cable de extensión más largo: 1. La calificación eléctrica marcada del cable principal o cable de extensión debe tener por lo menos la misma calificación eléctrica que el artefacto; y 2. El cable debe acomodarse de tal forma que no cuelgue del mostrador o de la mesa, de donde pueda ser tirado por los niños o donde sea objeto de tropiezo inintencional.
- El cable de extensión debe ser uno de tipo 3 puesto a tierra. Se debe usar cables de extensión para exteriores con productos de uso para exteriores, y llevan la marca del sufijo "W", además de la leyenda "Apropiado para uso con artefactos de uso en exteriores".
- **PRECAUCIÓN** - Para reducir el riesgo de descarga eléctrica, conserve seco el cable de extensión y fuera del suelo.
- No permita que el cable está colgando o tocando superficies calientes.
- No lo coloque encima o cerca a una hornilla eléctrica o de gas caliente, o en un horno calentado.
- El combustible, como briquetas de carbón vegetal o perlas de calor, no deben usarse en el ahumador eléctrico.
- Para desconectar, apague el panel de control, luego retire el enchufe del tomacorrientes.
- Desenchufe el enchufe del tomacorrientes cuando no esté en uso y antes de la limpieza. Deje que la unidad se enfríe completamente antes de agregar/retirar las rejillas, bandeja de goteo o tazón de agua.
- La bandeja de goteo es solamente para la parte inferior del ahumador eléctrico. No coloque la bandeja de goteo en la rejilla. Esto podría dañar el ahumador eléctrico.
- No cubra las rejillas con papel aluminio. Esto atraparé el calor y podría causar daños al ahumador eléctrico.
- No limpie este producto con un rociador de agua o producto similar.

CONSERVE ESTAS INSTRUCCIONES

RECOMENDACIONES DE PROXIMIDAD ESTRUCTURAL Y USO SEGURO

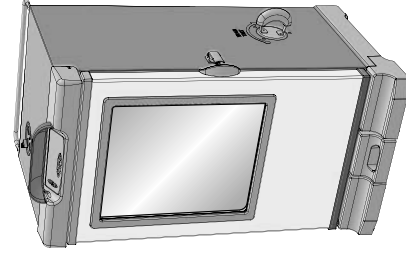
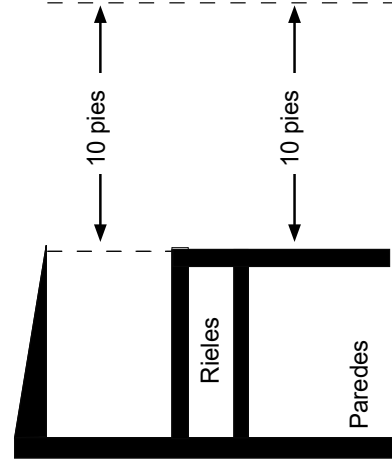
RECORDATORIO:

NUNCA OPERE ESTE AHUMADOR BAJO NINGUNA CONSTRUCCIÓN AÉREA. MANTENGA UNA DISTANCIA MÍNIMA DE 10 PIES (3 M) DESDE UNA CONSTRUCCIÓN AÉREA, PAREDES O RIELES.



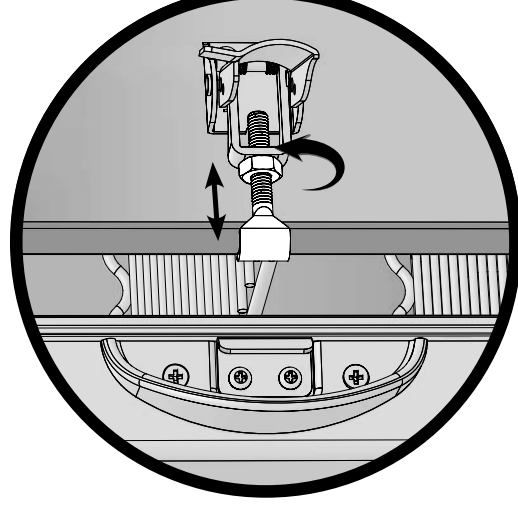
ADVERTENCIA:
EL CABLE DE ALIMENTACIÓN ELÉCTRICO ES UN PELIGRO DE TROPIEZO

Construcción aérea



IMPORTANT FACTS ABOUT USING SMOKER

- Maximum temperature setting is 275°F (135°C).
- Do NOT move unit across uneven surfaces.
- Wood chip loader and wood chip tray **MUST** be in place when using smoker. This minimizes the chance of wood flare ups.
- Wood chips must be used in order to produce smoke and create the smoke flavor.
- You may use dry or pre-soaked wood chips in your smoker. Dry chips will burn faster and produce more intense smoke. Chips pre-soaked in water (for approximately 30 minutes) will burn slower and produce a less intense smoke.
- Check grease tray often during cooking. Empty grease tray before it gets full. Grease tray may need to be emptied periodically during cooking.
- Do not open smoker door unless necessary. Opening smoker door causes heat to escape and may cause wood to flare up. Closing the door will re-stabilize the temperature and stop flare up.
- Do not leave old wood ashes in the wood chip tray. Once ashes are cold, empty tray. Tray should be cleaned out prior to, and after each use to prevent ash buildup.
- This is a smoker. There will be a lot of smoke produced when using wood chips. Smoke will escape through seams and turn the inside of smoker black. This is normal. To minimize smoke loss around door, door latch can be adjusted to further tighten door seal against body.
- Opening smoker door during cooking process may extend cooking time due to heat loss.
- When outside temperature is cooler than 65°F (18°C) and/or altitude is above 3,500 feet (1067m), additional cooking time may be required. To insure that meat is completely cooked use a meat thermometer to test internal temperature.
- To adjust door latch, loosen hex nut on door latch. Turn hook clockwise to tighten as shown. Secure hex nut firmly against door latch. (see diagram)



PRE-SEASON INSTRUCTIONS

PRE-SEASON SMOKER PRIOR TO FIRST USE.

Some smoke may appear during this time, this is normal.

1. Make sure water pan is in place with NO WATER.
2. Set temperature to 275°F (135°C) and run unit for 3 hours.
3. To complete pre-seasoning, during last 45 minutes, add ½ cup of wood chips in wood chip loader and unload wood chips into the wood chip tray. This amount is equal to the contents of a filled wood chip loader.
4. Shut down and allow to cool.

NOTE: Never add more than ½ cup (1 filled chip loader) at a time. Additional chips should not be added until any previously added chips have ceased generating smoke.

HOW TO USE WOOD CHIP LOADER

How to use wood chip loader:

- Before starting unit, place ½ cup of wood chips in chip loader.
- Never use more than ½ cup of wood chips at a time. Never use wood chunks or wood pellets.
- Insert wood chip loader into smoker. Wood chips should be level with top rim of wood chip loader.
- Turn handle clockwise in direction of arrow mark on smoker to unload wood. Wood will drop into wood chip tray. Turn handle counterclockwise, to upright position, and leave wood chip loader in place.
- Check wood chip tray periodically to see if wood has burned down. Add more chips as needed. Never use more than ½ cup of wood chips at a time.

Adding more wood during smoking process:

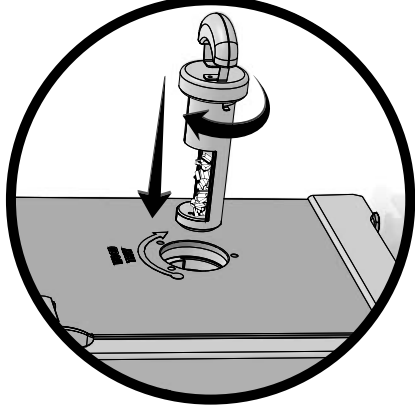
- Pull wood chip loader from smoker.
- Place wood chips in wood chip loader and insert into smoker.
- Turn handle clockwise in direction of arrow mark on smoker to unload wood. Wood will drop into wood chip tray.
- Temperature may spike briefly after wood is added. It will stabilize after a short time. Do not adjust temperature setting.

Caution:

- Keep smoker door closed when adding wood chips.
- Wood chip loader will be HOT even if handle is not.
- Never use wood pellets or wood chunks.



When door is opened a flare up may occur. Should wood chips flare up, immediately close door and vent, wait for wood chips to burn down, then open door again. Do not spray with water.



HOW TO USE WATER BOWL

How to use water bowl:

- Wait until smoker comes up to desired temperature.
- Fill water bowl to fill line with water or liquids like apple or pineapple juice instead of water.
- You can also add slices of fruit, onions or fresh dried herbs into the water to blend different subtle flavors into your smoked food.

Tip: For chicken or other foods high in moisture, little or no liquid is needed.

CONSEJOS DE MASTERBUILT PARA EL AHUMADO

- Este es un ahumador lento... tenga tiempo suficiente para cocinar. El ahumador es **USO EXTERIOR DEL HOGAR SOLAMENTE**.
- Cure previamente su ahumador antes del primer uso. Ver INSTRUCCIONES DEL CURADO PREVIO.
- Caliente previamente el ahumador por 30 a 45 minutos a temperatura máx antes de colocar los alimentos.
- Si los trozos de madera no ahúman en la configuración baja, aumente la temperatura a 275°. Luego de 8 a 10 minutos o cuando los trozos de madera comiencen a consumirse, reduzca la temperatura a la configuración baja deseada.
- Puede usar trozos de madera secos o previamente remojados en su ahumador. Los trozos secos se quemarán más rápido y producirán un humo más intenso. Los trozos previamente remojados en agua (por aproximadamente 30 minutos) se quemarán más lentamente y producirán un humo menos intenso.
- NO cubra las rejillas con papel de aluminio ya que esto no permitirá que el calor circule correctamente.
- NO sobrecargue el ahumador con alimentos. Las cantidades extra grandes de comida pueden atrapar el calor, extender el tiempo de cocción y causar una cocción desigual. Deje espacio entre los alimentos y los lados del ahumador para asegurar una correcta circulación. Si utiliza bandejas de cocción, colóquelas en el centro de la rejilla para asegurar una cocción uniforme. Nunca use recipientes de vidrio, plástico o cerámica en la unidad.
- Las temperaturas extremadamente frías pueden extender los tiempos de cocción.
- LIMPIE DESPUÉS DE CADA USO. Esto extenderá la vida de su ahumador y evitará el moho y los hongos. Ver las instrucciones sobre **CÓMO LIMPIAR Y GUARDAR EL AHUMADOR**.

¡DISFRUTE!

CÓMO LIMPIAR Y GUARDAR EL AHUMADOR

Asegúrese de limpiar el ahumador después de cada uso. Asegúrese que su ahumador esté desenchufado y completamente enfriado.

Para los soportes de la rejilla, tazón de agua y bandeja de goteo, use un detergente para platos suave. Enjuague y seque exhaustivamente.

Para la bandeja de trozos de madera y el cargador de trozos de madera, limpie frecuentemente para eliminar la acumulación de cenizas, residuos y polvo.

Deseche las cenizas frías colocándolas en papel aluminio, remojándolas en agua y desechándolas en un contenedor no combustible.

Para el interior, el vidrio de la puerta y el exterior del ahumador, simplemente limpie de arriba a abajo con un paño húmedo. No use agentes de limpieza caseros. Asegúrese de secar exhaustivamente.

Luego de la limpieza, almacene el ahumador en un área cubierta y seca.

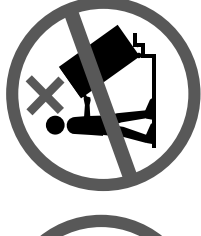
Cuando no lo use con frecuencia y tenga una cubierta, recuerde revisar su ahumador periódicamente para evitar posible óxido y corrosión debido a la acumulación de humedad.

Mire un video con instrucciones paso a paso sobre cómo limpiar su ahumador en [www.youtube.com/Masterbuilt Electric Smokehouse](http://www.youtube.com/MasterbuiltElectricSmokehouse): Limpieza y almacenamiento.

SIEMPRE ASEGÚRESE QUE LA UNIDAD ESTÉ FRÍA AL TACTO ANTES DE LIMPIAR Y ALMACENAR.

WARNING, AVERTISSEMENT!, ¡ADVERTENCIA!

• Smoker should only be rolled on smooth surface.
• Ne faites rouler le fumoir que sur une surface lisse.
• El ahumador solo debe empujarse sobre una superficie lisa.

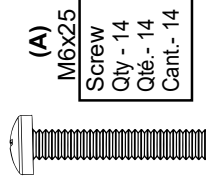


• Smoker should never be rolled up/down stairs or on uneven surface.
• Ne jamais faire rouler le fumoir dans des escaliers ou sur une surface inégale.
• El ahumador nunca debe empujarse o sobre superficies desiguales.

• Potential damage to smoker or harm to user may result from failure to follow warnings.

• Si les avertissements ne sont pas respectés, des dommages au fumoir ou des blessures à l'utilisateur pourraient s'ensuivre.
• El daño potencial al ahumador o daño a algún usuario pueden ser el resultado de no seguir las advertencias.

HARDWARE LIST, LISTE DE MATÉRIEL, LISTA DE HARDWARE



(A)
M6x25
Screw
Qty - 14
Qté.- 14
Cant.- 14



(B)
ST4x10
Screw
Qty - 12
Qté.- 12
Cant.- 12



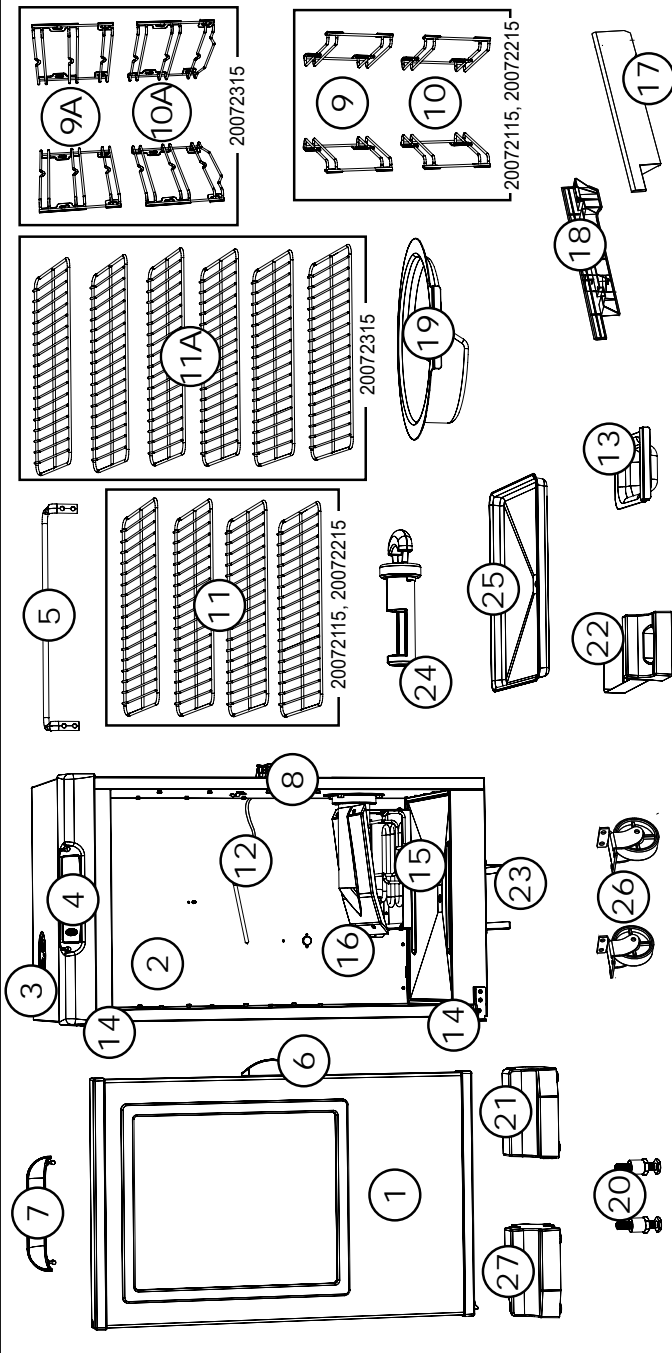
(C)
M6x9
Screw
Qty - 8
Qté.- 8
Cant.- 8



(D)
ST4x12
Screw
Qty - 2
Qté.- 2
Cant.- 2

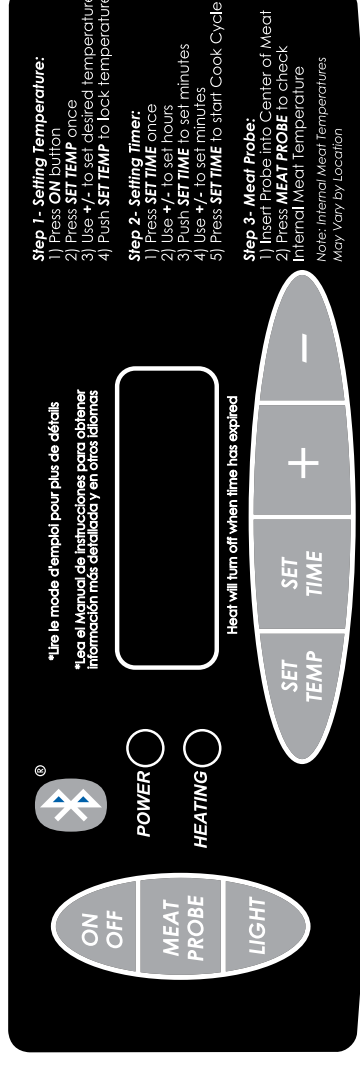
Actual product may differ from picture shown - Le produit réel peut différer de l'illustration - El producto real puede ser distinto de la imagen mostrada

PARTS LIST, LISTE DES PIÈCES, LISTA DE PIEZAS



Parts may vary by item number of model. Les pièces peuvent varier selon le numéro de l'article du modèle. Las piezas pueden variar según el número de artículo del modelo.

HOW TO USE THE CONTROL PANEL



Note: Direct sunlight may interfere with ability to read LED display. Block light if needed.

To set temperature:

- Press ON button.
 - Press SET TEMP button once. LED display will blink.
 - Use +/- to set temperature.
 - Press SET TEMP button again to lock in temperature.
- Note:** Heating will not begin until timer is set.

To set timer:

- Press SET TIME button once. LED display for hours will blink.
- Use +/- to set hours.
- Press SET TIME button again to lock in hours. The minutes LED will start blinking.
- Use +/- to set minutes.
- Press SET TIME to lock in minutes and start cook cycle.

Heat will turn off when time has expired.

To use meat probe:

- Insert meat probe into center of meat to get most accurate reading.
- Press and hold MEAT PROBE button. LED display will show internal temperature of meat.
- Once MEAT PROBE button is released, LED display will return to set temperature or set time.

To use light:

- Press LIGHT button to turn light on.
- Press LIGHT button to turn light off.

To RESET control panel:

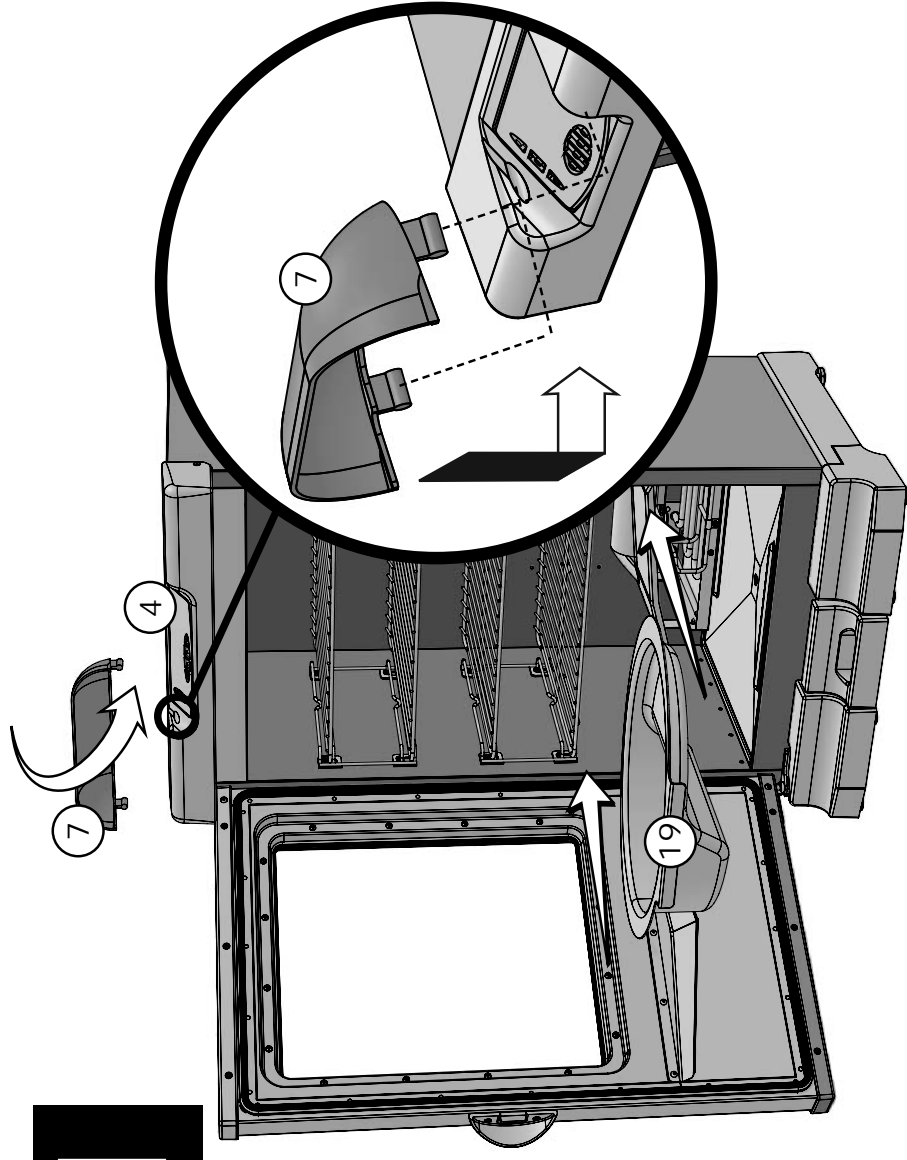
If control panel shows an error message, turn electric smoker off. Unplug unit from outlet. Wait ten seconds. Plug unit back into outlet then turn electric smoker on. This will reset control panel.

HOW TO USE BLUETOOTH

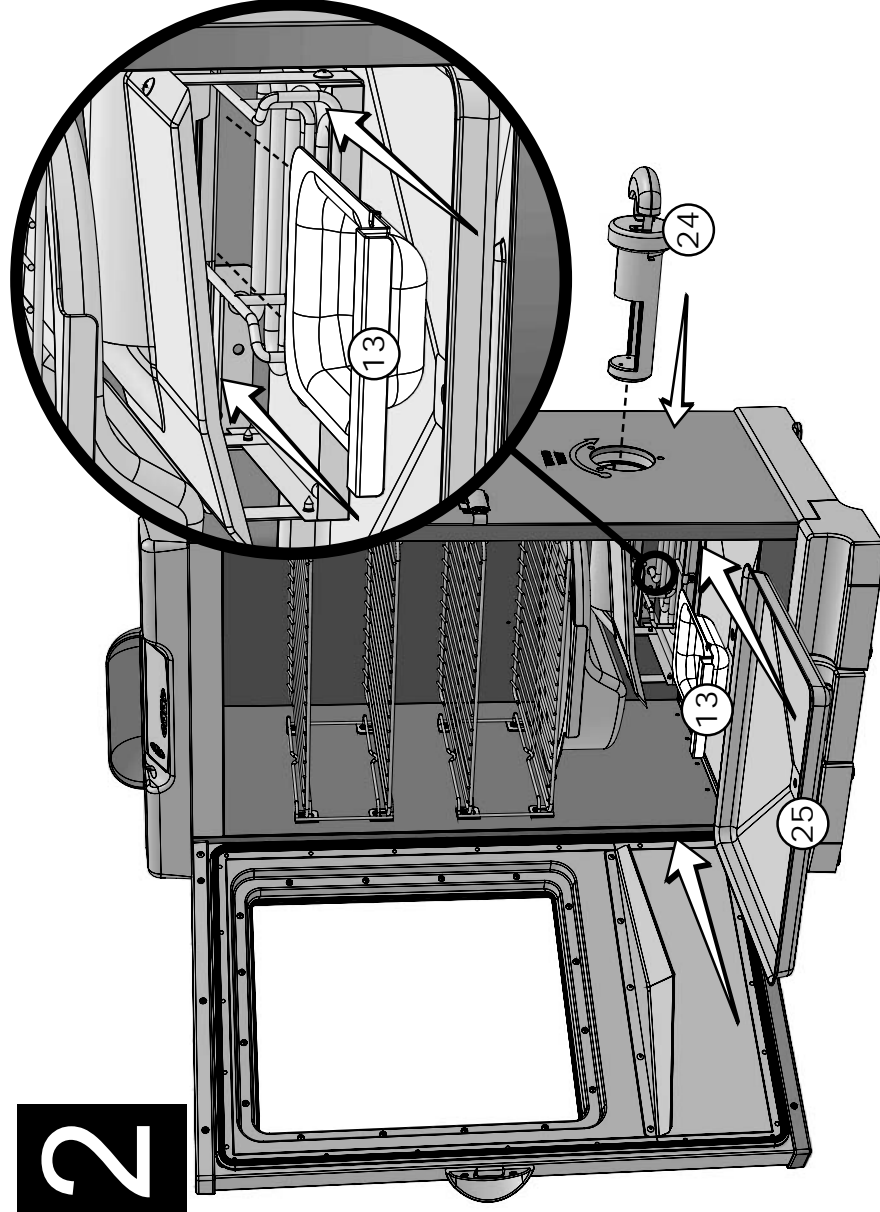
How to pair your Bluetooth smoker:

1. Go to the Apple App Store or Google Play Store on your device(s) and search for "Masterbuilt" or go to www.masterbuilt.com/apps.
2. Download the Masterbuilt app.
3. Once the download is complete, open the Masterbuilt app and follow the instructions for pairing your Bluetooth smoker and mobile device(s).
4. For troubleshooting advice please visit www.masterbuilt.com/apps.

11



12



PARTS LIST, LISTE DES PIÈCES, LISTA DE PARTES

NON ^o / QTY/QTE/ NO CANT.	DESCRIPTION	DESCRIPCIÓN	DESCRIPCIÓN
1	Smoker Door	Porte du fumoir	Puerta del ahumador
2	Smoker Body	Bâti du fumoir	Cuerpo del ahumador
3	Air Damper	Clapet à air	Regulador de aire
4	Control Panel	Panneau de commande	Panel de control
5	Rear Handle	Poignée arrière	Asa posterior
6	Door Handle	Poignée de porte	Asa de la puerta
7	Sun Shield	Pare-soleil	Protector solar
8	Door Latch	Loquet de porte	Seguro de la puerta
9	Rack Supports (20072115, 20072215)	Supports des grilles (20072115, 20072215)	Soportes de estante (20072115, 20072215)
9A	Rack Supports (20072315)	Supports des grilles (20072315)	Soportes de estante (20072315)
10	Water Bowl Support Rack (2)	Supports pour grille/cuvette d'eau (2)	Soportes de la rejilla/tazón de agua (2)
10A	Water Bowl Support Rack (3)	Supports pour grille/cuvette d'eau (3)	Soportes de la rejilla/tazón de agua (3)
11	Rack (20072115, 20072215)	Étagère (20072115, 20072215)	Estante (20072115, 20072215)
11A	Rack (20072315)	Étagère (20072315)	Estante (20072315)
12	Meat Probe	Thermomètre à viande	Sonda de carne
13	Wood Chip Tray	Bac à copeaux de bois	Bandeja de trozos de madera
14	Door Hinge	Charnière de porte	Bisagra de la puerta
15	Element	Élément	Elemento
16	Wood Chip Housing	Boîtier pour copeaux de bois	Carcasa de trozos de madera
17	Right Side Panel	Panneau de droite	Panel lateral derecho
18	Left Side Panel	Panneau de gauche	Panel lateral izquierda
19	Water Bowl	Cuvette d'eau	Tazón de agua
20	Adjustable Screw Leg	Pied réglable avec vis	Pata ajustable con tornillos
21	Right Front Foot	Pied avant droit	Pie Derecho delantero
22	Grease Tray	Bac à graisse	Bandeja de grasa
23	Grease Tray Bracket	Support du bac à graisse	Abrazadera de la bandeja de grasa
24	Wood Chip Loader	Chargeur à copeaux de bois	Cargador de trozos de madera
25	Drip Pan	Plateau ramasse-gouttes	Bandeja de goteo
26	Wheel	Roulette	Ruedas
27	Left Front Foot	Pied Front de gauche	Delantero Izquierdo Pie

• BEFORE ASSEMBLY READ ALL INSTRUCTIONS CAREFULLY.

• ASSEMBLE UNIT ON A CLEAN, FLAT SURFACE.

• TOOLS NEEDED: Adjustable Wrench, Phillips Head Screwdriver

** It is possible that some assembly steps have been completed in the factory. **

• AVANT L'ASSEMBLAGE, LIRE ATTENTIVEMENT TOUTES LES INSTRUCTIONS.

• ASSEMBLER L'APPAREIL SUR UNE SURFACE PLANE ET PROPRE.

• OUTILS NÉCESSAIRES : TOURNEVIS CRUCIFORME.

Il est possible que certaines étapes d'assemblage aient été effectuées en usine.

• ANTES DEL ENSAMBLAJE LEA TODAS LAS INSTRUCCIONES CUIDADOSAMENTE.

• ENSAMBLE LA UNIDAD EN UNA SUPERFICIE LIMPIA Y PLANA.

• HERRAMIENTA NECESARIA: DESTORNILLADOR EN CRUZ.

Algunos pasos del ensamble pueden ya estar completados debido a un preensamble en fábrica.

REPLACEMENT PARTS LIST. LISTE DES PIÈCES DE RECHANGE. LISTA DE PARTES DE REPUESTO

REPLACEMENT PART	NO/N°/NO	PIÈCE DE RECHANGE	REPUESTO	APPLIES TO ITEM/POUR ARTICLE/ SE APLICA AL ARTICULO
30" Door Kit, SS	9907140018	Trousse de porte de 30 po, acier inoxydable	Kit de la puerta de 30", SS	20072115, 20072215, 20072315
Control Panel Housing Kit	9907140003	Trousse de boîtier du panneau de commande	Kit de la carcasse du panel de control	20072115, 20072215, 20072315
Body Kit, Black	9907140022	Trousse de bâti, noire	Kit del cuerpo, negro	20072115, 20072215, 20072315
Door Latch Kit	9907120004	Trousse de loquet de porte	Kit de seguro de la puerta	20072115, 20072215, 20072315
Air Damper Kit	990060221	Trousse de clapet à air	Kit del regulador de aire	20072115, 20072215, 20072315
Right Front Foot Kit	9907140009	Trousse de pied avant droit	Kit de la pata frontal derecha	20072115, 20072215, 20072315
Left Front Foot Kit	9907140010	Trousse de pied avant gauche	Kit de la pata frontal izquierda	20072115, 20072215, 20072315
Hinge Cover Kit	9907120008	Trousse de couvre-charnière	Kit de la cubierta de la bisagra	20072115, 20072215, 20072315
Right Trim Panel Kit	9907140011	Trousse de garniture du panneau de droite	Kit del panel de ribete derecho	20072115, 20072215, 20072315
Left Trim Panel Kit	9907140012	Trousse de garniture du panneau de gauche	Kit del panel de ribete izquierdo	20072115, 20072215, 20072315
Element Kit, 800 Watt	9907120011	Trousse d'élément, 800 watts	Kit del elemento, 800 watts	20072115, 20072215, 20072315
Door Handle Kit	9907120012	Trousse de poignée de porte	Kit del asa de la puerta	20072115, 20072215, 20072315
Door Hinge Kit	9907120013	Trousse de charnière de porte	Kit de la bisagra de la puerta	20072115, 20072215, 20072315
Wood Chip Housing Kit	9907140008	Trousse de couvercle du bac à copeaux de bois	Kit de tapa de los trozos de madera	20072115, 20072215, 20072315
Rear Handle Kit	9907120015	Trousse de poignée arrière	Kit del asa posterior	20072115, 20072215, 20072315
Grease Tray Bracket Kit	9907140013	Trousse de support du bac à graisse	Kit de la abrazadera de la bandeja de grasa	20072115, 20072215, 20072315
Wheel Kit	9907120017	Trousse de roulettes	Kit de las ruedas	20072115, 20072215, 20072315
Power Circuit Board Kit	9907140014	Trousse de controle de puissance (CCP)	Kit de caja de mando eléctrica (CME)	20072115, 20072215, 20072315
High Temperature Limiter Kit	9907140015	Trousse de limite haute température	Kit del limite de alta temperatura	20072115, 20072215, 20072315
LED Light Kit	9907140016	Trousse de voyants à DEL	Kit de las luces LED	20072115, 20072215, 20072315
Meat Probe Kit	9907140024	Trousse de thermomètre à viande	Kit del sonda de la carne	20072115, 20072215, 20072315
Smoking Rack Support (2)	9007120001	Support des grilles de cuisson (2)	Soporte de la rejilla de cocción (2)	20072115, 20072215
Smoking Rack Support (3)	9007140075	Support des grilles de cuisson (3)	Soporte de la rejilla de cocción (3)	20072315
Water Bowl Rack Support	9007140038	Grille-support du réservoir d'eau	Bandeja de soporte del tazón de agua	20072115, 20072215, 20072315
Smoking Rack	9007120002	Grille de fumage	Rejilla para ahumar	20072115, 20072215, 20072315
Water Bowl	9007140037	Cuvette d'eau	Tazón de agua	20072115, 20072215, 20072315
Wood Chip Tray	9007140023	Bac à copeaux de bois	Bandeja de trozos de madera	20072115, 20072215, 20072315
Wood Chip Loader	9007140024	Chargeur à copeaux de bois	Chargeur de trozos de madera	20072115, 20072215, 20072315
Digital Smoker Control	9007140002	Commande numérique du fumoir	Control digital del ahumador	20072115, 20072215, 20072315
Sun Shield	9007140033	Para-soleil	Parasol	20072115, 20072215, 20072315
Grease Tray	9007140036	Bac à graisse	Bandeja de grasa	20072115, 20072215, 20072315
Adjustable Screw Leg	9007140039	Pied réglable avec vis	Pata ajustable avec tornillos	20072115, 20072215, 20072315
Drip Pan	9007120009	Plateau ramasse-gouttes	Bandeja de goteo	20072115, 20072215, 20072315
Hardware Kit Smoker	9907140017	Trousse de quincaillerie	Kit de accesorios	20072115, 20072215, 20072315
Troubleshooting Guide	9807140122	Guide de dépannage	Guía de detección y solución de problemas	20072115, 20072215, 20072315
Bluetooth Pairing Guide	9807140088	Guide d'appariage Bluetooth	Guía Bluetooth Pairing	20072115, 20072215, 20072315
Instruction Manual	9807140114	Mode d'emploi	Manual de instrucciones	20072215

Replacement parts may vary by item number of model. Les pièces de rechange peuvent varier selon le numéro de l'article du modèle. Las piezas de repuesto pueden variar según el número de artículo del modelo.



DO NOT RETURN TO RETAILER for assembly assistance, missing or damaged parts.

Please contact MASTERBUILT customer service at 1-800-489-1581 or support.masterbuilt.com. Please have the model number and serial number available. These numbers are located on the silver rating label on the unit.

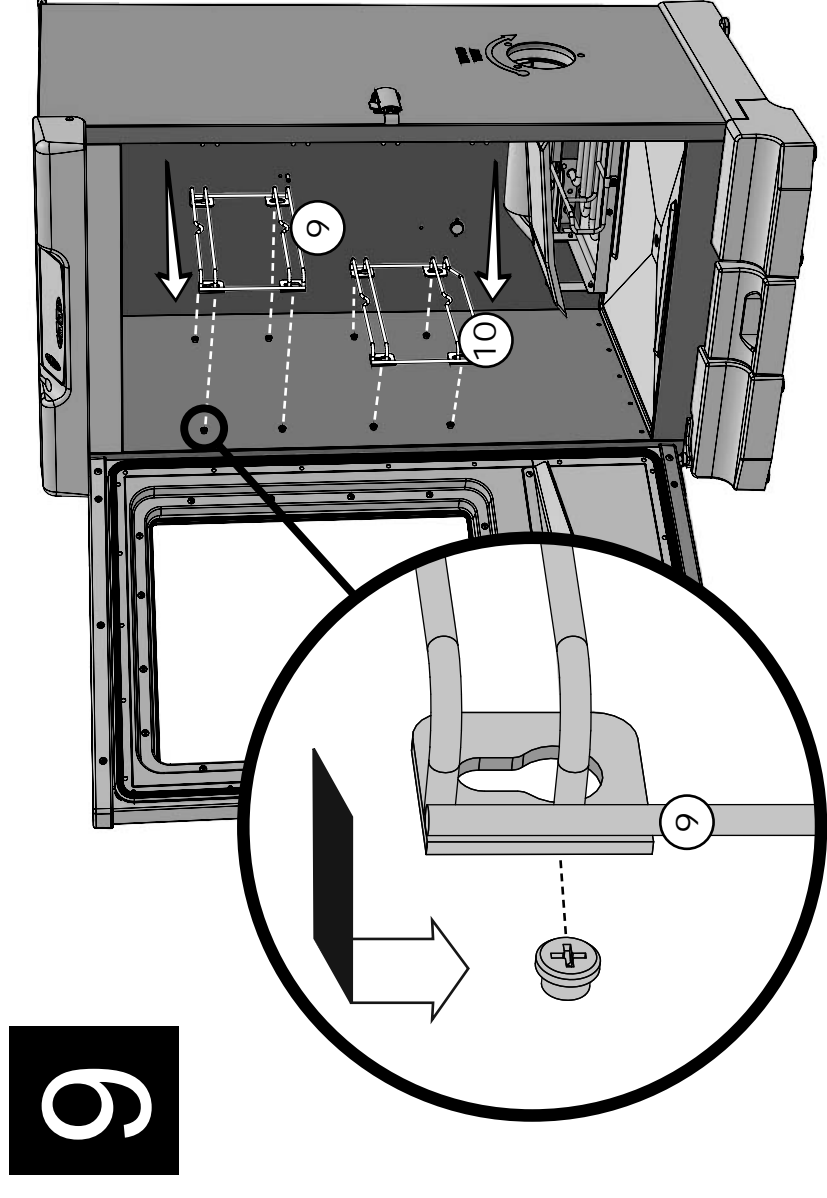


NNE PAS RETOURNER AU DÉTAILLANT pour l'assistance d'assemblage, pièces manquantes ou endommagées. S'il vous plaît contacter le service à la clientèle au 1-800-489-1581 ou MASTERBUILT support.masterbuilt.com. S'il vous plaît avoir le numéro de modèle et le numéro de série. Ces numéros se trouvent sur la plaque signalétique de l'argent sur l'unité.

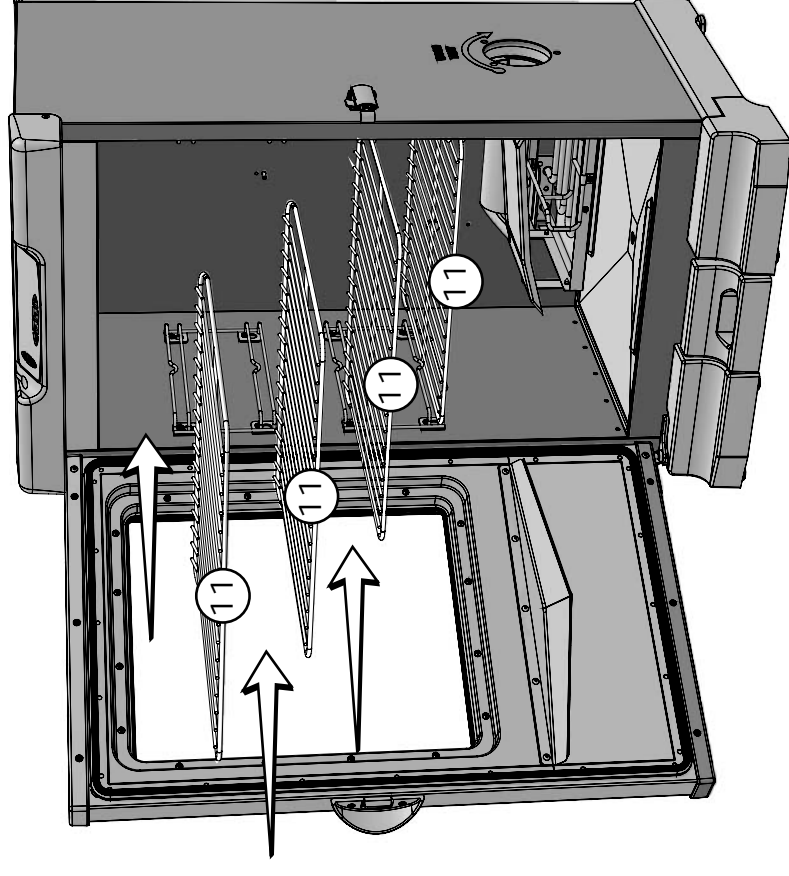


NO REGRESE A DISTRIBUIDOR para ayuda con el montaje, partes faltantes o dañados. Por favor, póngase en contacto con el servicio al cliente al 1-800-489-1581 o MASTERBUILT support.masterbuilt.com. Tenga a mano los números de modelo y número de serie. Estos números se encuentran en la placa de plata en la unidad.

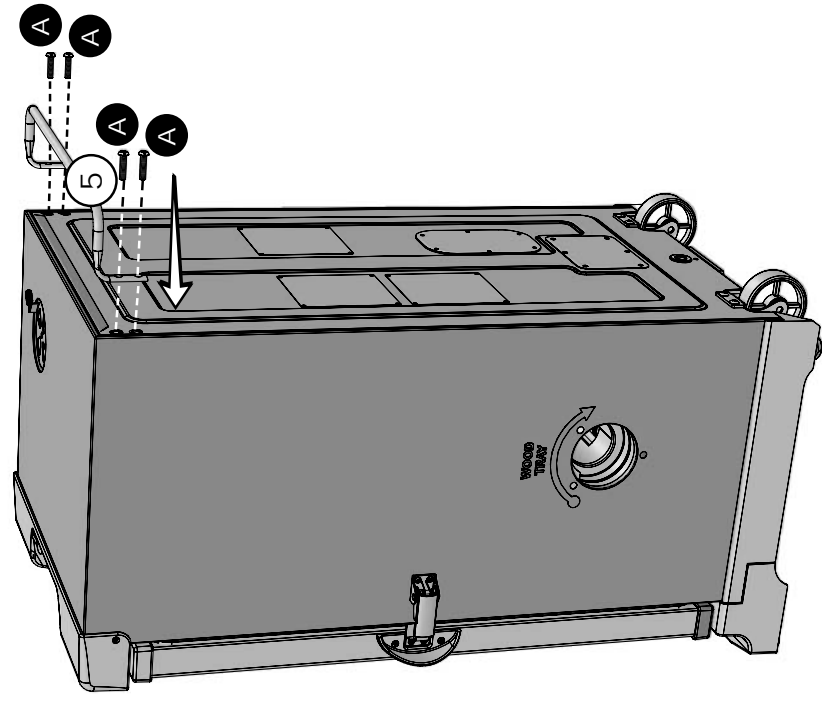
ASSEMBLY, ASSEMBLAGE, ENSAMBLAJE



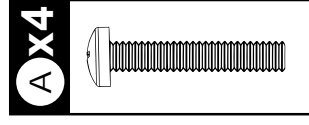
10



ASSEMBLY, ASSEMBLAGE, ENSAMBLAJE

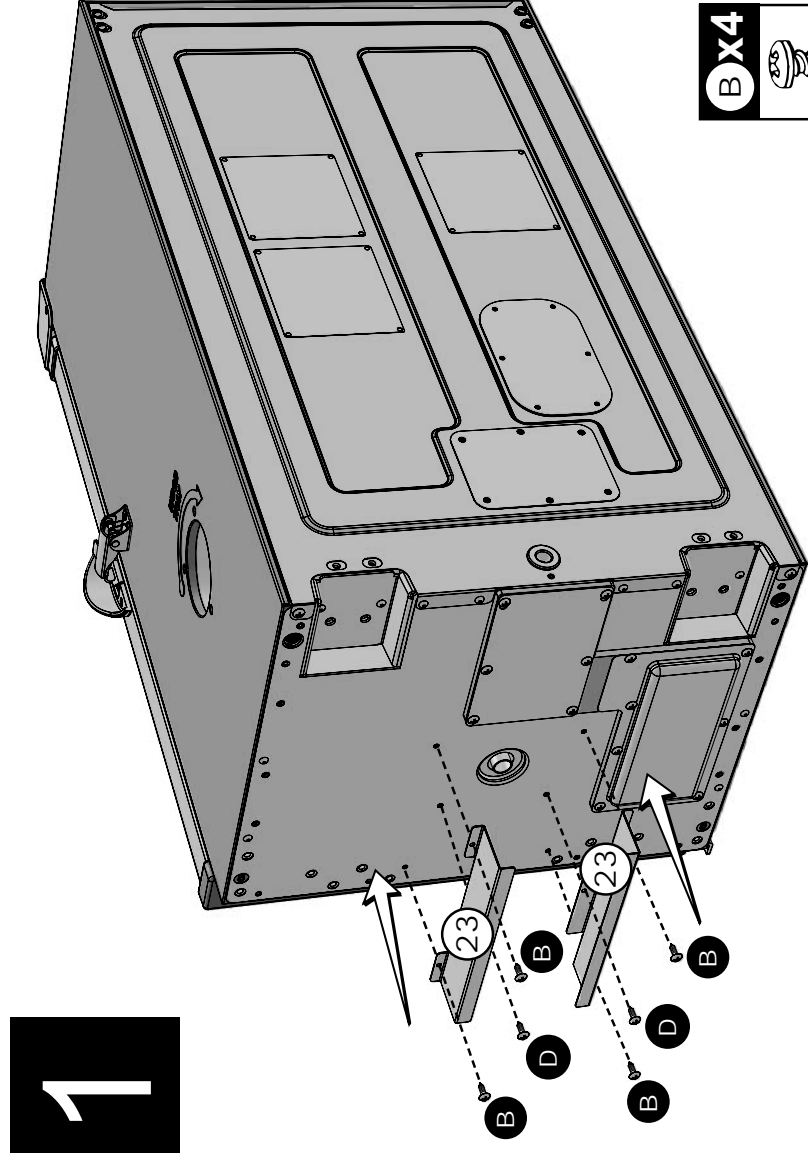


7

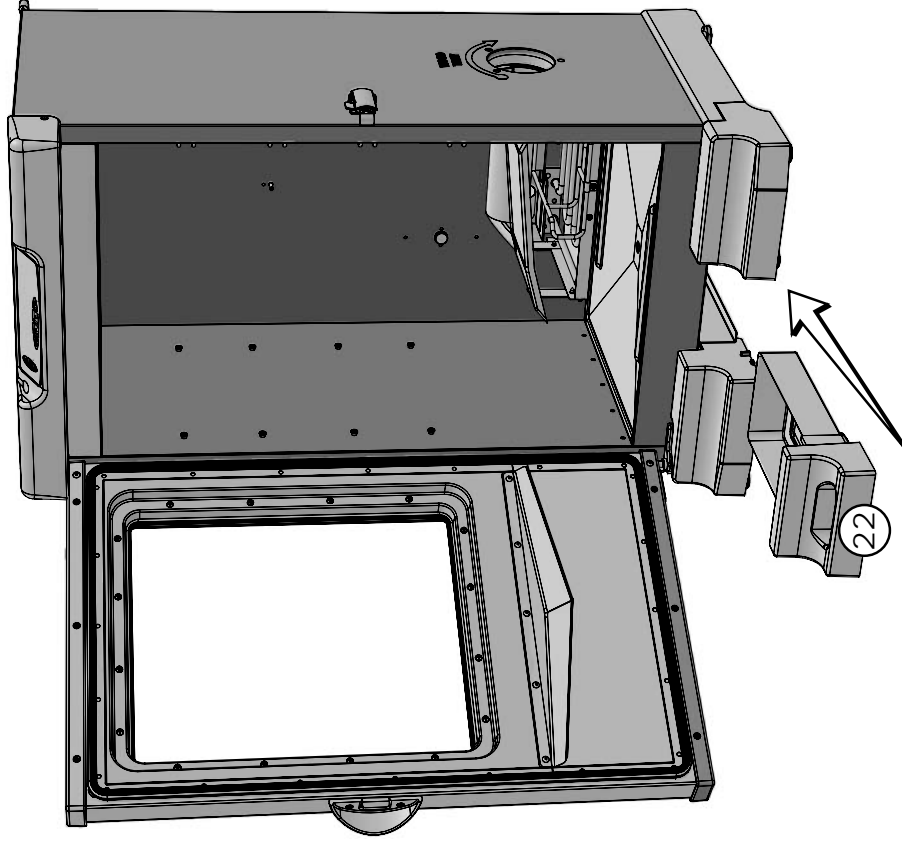
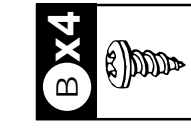


ASSEMBLY, ASSEMBLAGE, ENSAMBLAJE

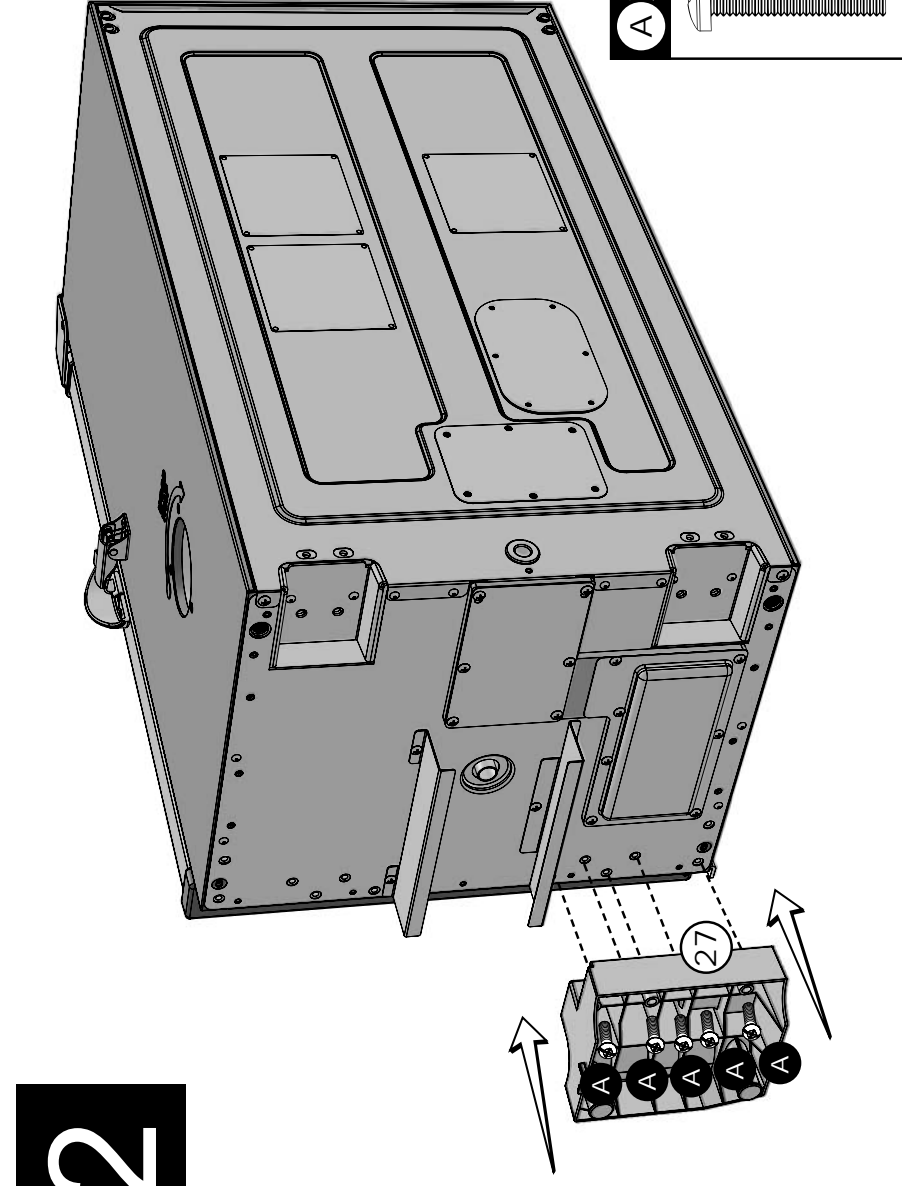
Actual product may differ from picture shown - Le produit réel peut différer de l'illustration - El producto real puede ser distinto de la imagen mostrada



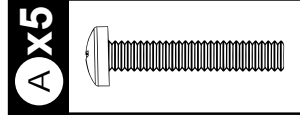
1



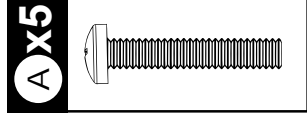
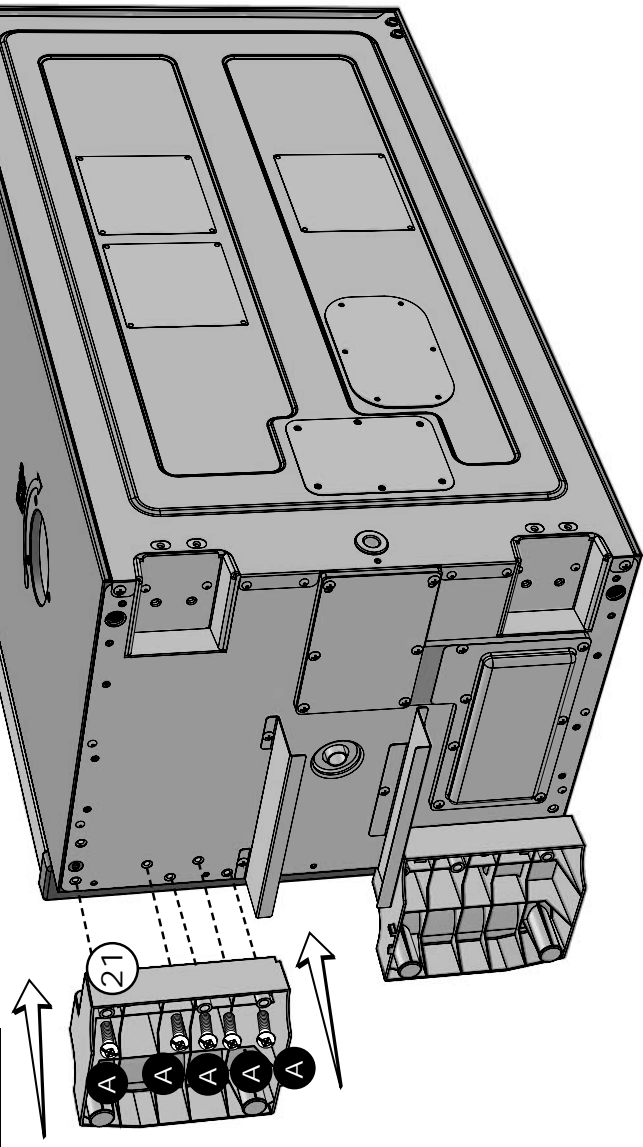
8



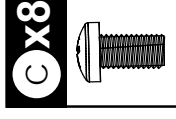
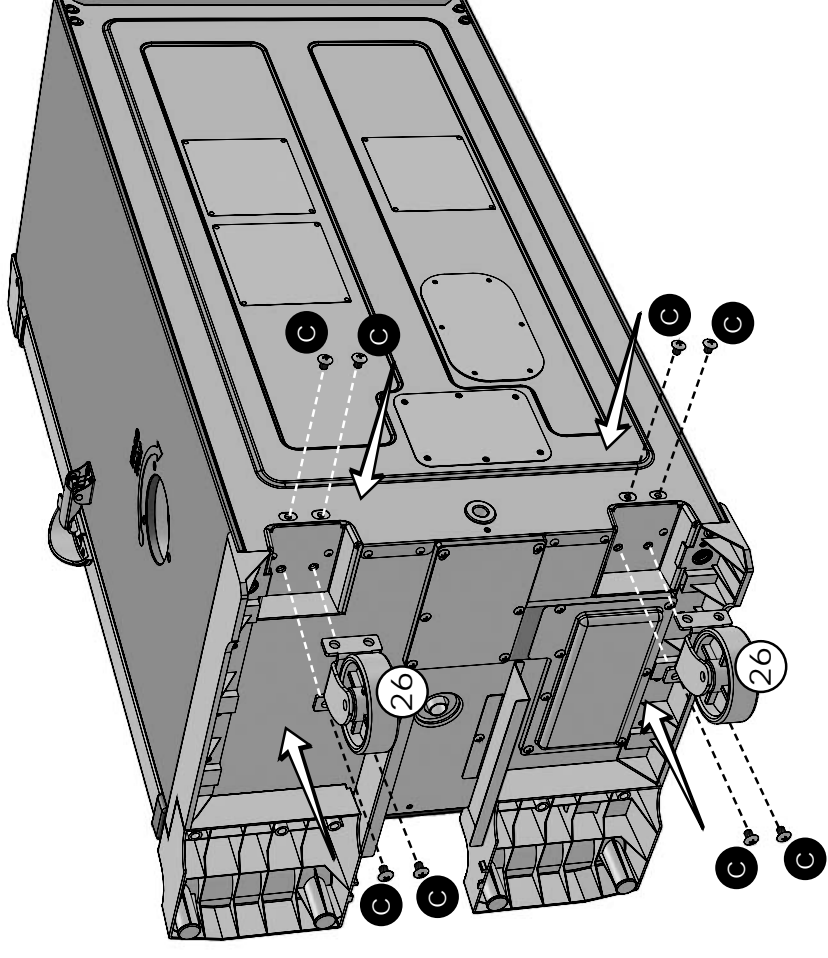
2



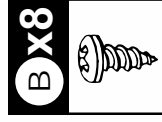
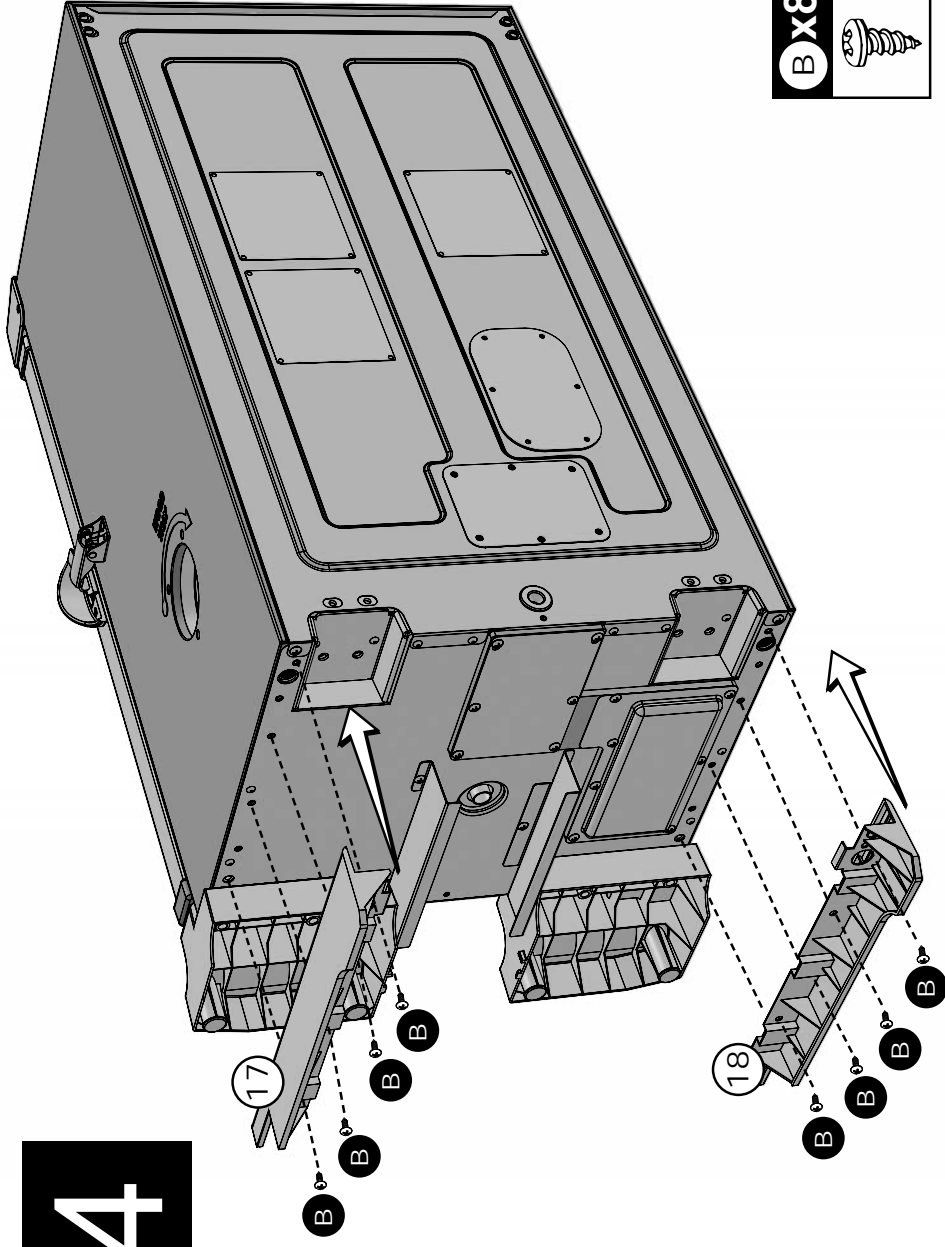
3



5



4



6

