

This Owner's Manual is provided and hosted by [Appliance Factory Parts](#).



MASTERBUILT MB20151219 Owner's Manual

[Shop genuine replacement parts for MASTERBUILT
MB20151219](#)



[Find Your MASTERBUILT Grill Parts - Select From 589 Models](#)

----- Manual continues below -----

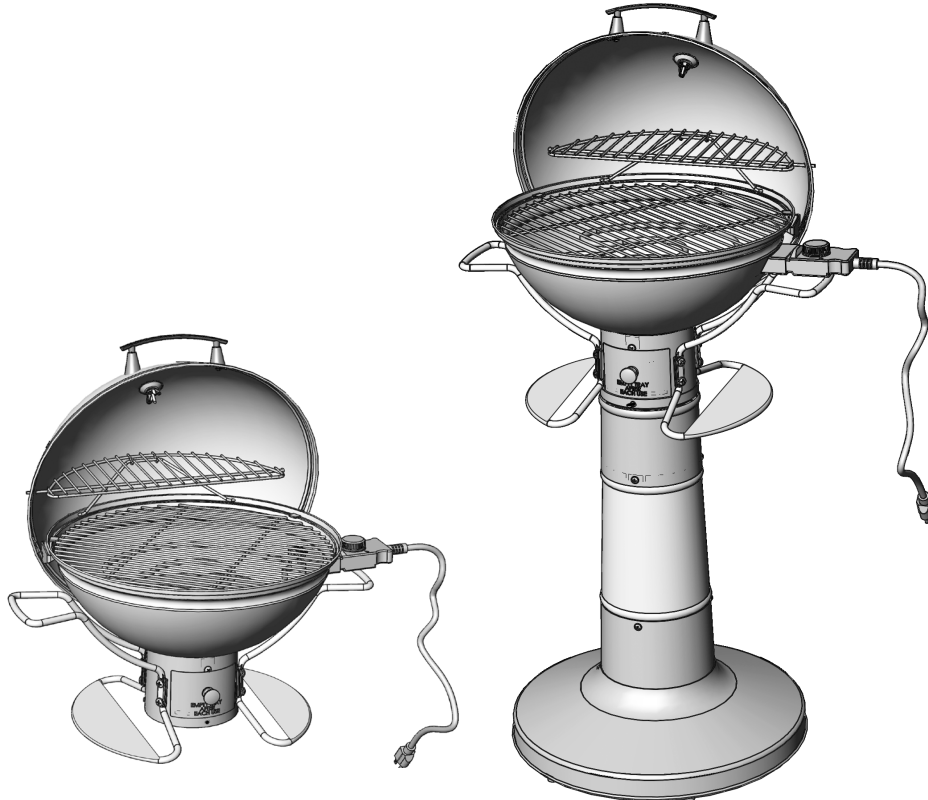


MASTERBUILT®

Welcome to the family. Let's get started.

MEG 130S

ELECTRIC VERANDA GRILL



Manual applies to the following model number(s)

MB20151119 • MB20151219

Your model number

Mfg. Date - Serial Number

These numbers are located on the rating label of the unit.

IMPORTANT

Please record this information immediately and keep in a safe place for future use.



Master it. Masterbuilt.

Manual Code: 9815180001 190107-GSB



WARNING



- This manual contains important information necessary for the proper assembly and safe use of the appliance.
- Read and follow all warnings and instructions before assembling and using the appliance.
- Keep this manual for future reference.



Failure to follow these instructions could result in fire, explosion or burn hazard which could cause property damage, personal injury, or death.



DANGER



- **Do not expose electric grill to rain. Do not use around water or operate on wet surfaces. This could cause an electric shock leading to injury or death.**

**THIS PRODUCT IS INTENDED FOR
OUTDOOR HOUSEHOLD USE ONLY.**



WARNINGS AND IMPORTANT SAFEGUARDS



READ ALL INSTRUCTIONS

When using electrical appliances, basic safety precautions should always be followed including the following:

- Never use inside enclosed areas such as patios, garages, buildings or tents.
- Never use inside recreational vehicles or on boats.
- Never operate grill under overhead construction such as roof coverings, carports, awnings, or overhangs.
- Never use grill as a heater.
- Minimum distance from side and back of appliance to walls or railing is 10ft (3m).
- Keep a minimum 10ft (3m) clearance of all combustible materials such as wood, dry plants, grass, brush, paper, vinyl, wood siding, or canvas.
- Keep appliance clear and free from combustible materials such as gasoline and other flammable vapors and liquids.
- Use grill on a level, non-combustible, stable surface such as dirt, concrete, brick or rock.
- Grill **MUST** be on the ground. Do not place grill on tables or counters. Do **NOT** move grill across uneven surfaces.
- Do not use grill on wooden or flammable surfaces.
- Do not leave grill unattended.
- Store appliance indoors when not in use, out of reach of children.
- Never use grill for anything other than its intended use. This grill is **NOT** for commercial use.
- Keep a fire extinguisher accessible at all times while operating grill.
- Before each use check all nuts, screws and bolts to make sure they are tight and secure.
- Use of alcohol, prescription or non-prescription drugs may impair user's ability to properly assemble or safely operate grill.
- Keep children and pets away from grill at all times. Do **NOT** allow children to use grill. Close supervision is necessary when children or pets are in area where grill is being used.
- Do **NOT** allow anyone to conduct activities around grill during or following its use until it has cooled.
- Avoid bumping or impacting grill.
- Never move grill when in use. Allow grill to cool completely (below 115°F (45°C)) before moving or storing.



WARNINGS AND IMPORTANT SAFEGUARDS

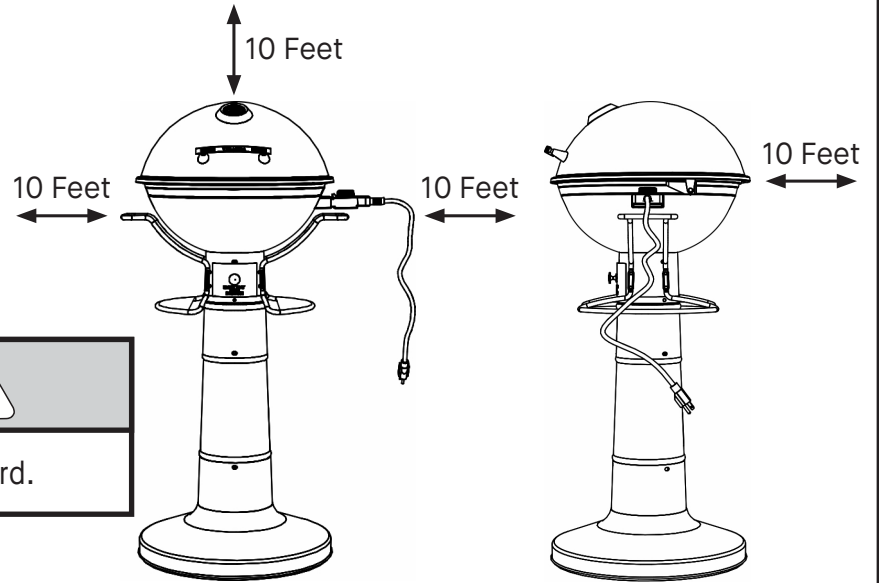


- The grill is HOT while in use and will remain HOT for a period of time afterwards and during cooling process. Use CAUTION. Wear protective gloves/mitts.
- Do not touch HOT surfaces. Use handles or knobs.
- Keep hands, hair and face away from the element. Be careful of loose hair and clothing during operation as they could catch fire.
- Be sure grease cup is clean before each use.
- Never burn charcoal or wood in this grill.
- Never use glass, plastic or ceramic cookware in grill. Never place empty cookware in grill while in use.
- Accessory attachments not supplied by Masterbuilt Manufacturing, LLC are NOT recommended and may cause injury.
- Be careful when removing food from grill. All surfaces are HOT and may cause burns. Use protective gloves or long, sturdy cooking tools.
- Always use grill in accordance with all applicable local, state and federal fire codes.
- Fatty foods (hamburgers, etc.) can have excess grease and cause flare ups. When cooking fatty foods, use a low setting with lid open.
- Clean internal base pan and grease cup before each use. This will cut down on build-up and flare ups.
- Do not plug in electric grill until fully assembled and ready for use.
- Be sure that handles are assembled and fastened properly.
- Be sure that pedestal and body stands are assembled and fastened properly.
- To reduce the risk of electric shock, use only approved grounded GFI electrical outlet.
- Do not use during an electrical storm.
- Do not expose electric grill to rain or water at anytime.
- To protect against electrical shock do not immerse cord, plug or control panel in water or other liquid.
- Do not operate any appliance with a damaged cord or plug, or after appliance malfunctions or has been damaged in any manner. Contact Masterbuilt Customer Service for assistance at 1-800-489-1581.
- Use only electric controller and element supplied with grill. These parts must be replaced by the manufacturer of grill.
- If an extension cord is used: 1. The marked electrical rating of the extension cord should be at least as great as the electrical rating of the appliance; and 2. The cord should be arranged so that it will not drape over the counter top or tabletop where it can be pulled by children or tripped over unintentionally.
- The extension cord must be a grounding-type 3-wire cord.
- Outdoor extension cords must be used with outdoor use products and are marked with suffix "W" and with the statement "Suitable for Use with Outdoor Appliances."
- Preheating grill is not necessary. If preheating is desired, open lid with caution.
- CAUTION - To reduce the risk of electric shock, keep extension cord connection dry and off the ground.
- Do not let cord hang or touch hot surfaces.
- Do not place on or near a hot gas or electric burner, or in a heated oven.
- Fuel such as charcoal briquettes or heat pellets are not to be used in electric grill.
- Always attach plug to appliance first, then plug cord into the wall outlet. To disconnect, turn any control to OFF, then remove plug from wall outlet.
- Unplug from outlet when not in use and before cleaning and servicing. Allow grill to cool completely (below 115°F (45°C)) before putting on or taking off parts.
- Do not clean this product with a water sprayer or the like.

SAVE THESE INSTRUCTIONS

Structural Proximity and Safe Usage Recommendations

REMINDER: Maintain a minimum distance of 10 feet from rear, sides and top of grill to overhead construction, walls, rails or other combustible construction. This clearance provides adequate space for proper combustion, air circulation and venting.

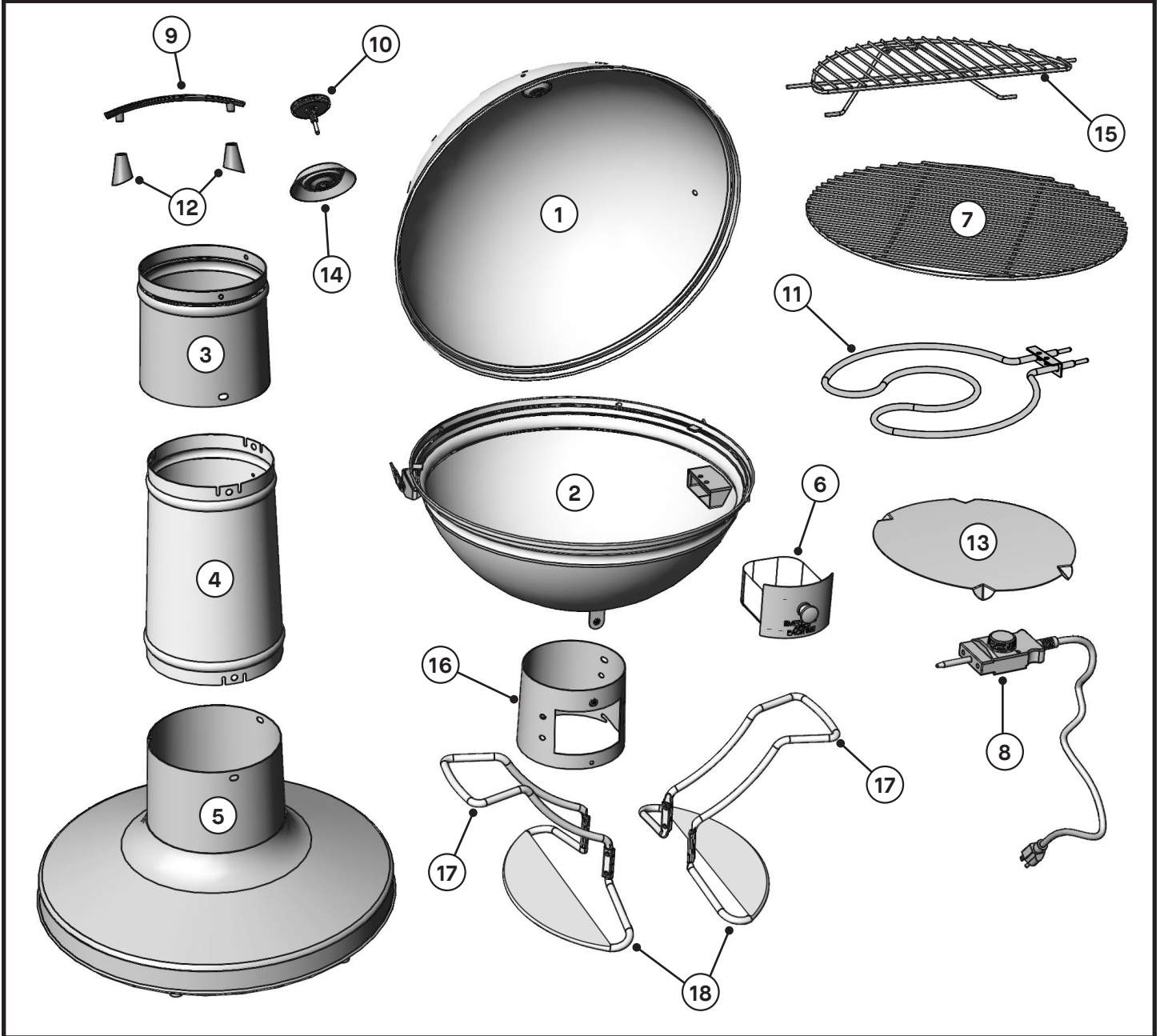


WARNING



Electric power cord is a trip hazard.

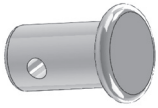
Parts List



NO.	QTY.	DESCRIPTION
1	1	Grill Lid
2	1	Grill Base
3	1	Pedestal Top
4	1	Pedestal Middle
5	1	Pedestal Bottom
6	1	Grease Cup
7	1	Cooking Grate
8	1	Controller with Cord
9	1	Lid Handle

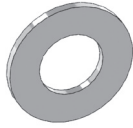
NO.	QTY.	DESCRIPTION
10	1	Temperature Gauge
11	1	Element
12	2	Spacer
13	1	Reflector Plate
14	1	Temperature Gauge Bezel
15	1	Swing Away Rack
16	1	Convertible Pedestal
17	2	Body Handle
18	2	Body Stand

Hardware List



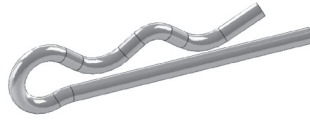
A

Hitch Pin
Qty.-2



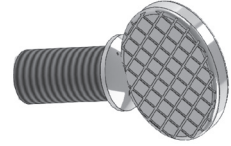
B

Flat Washer
Qty.-2



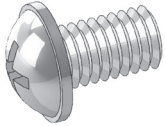
C

Hair Pin
Qty.-2



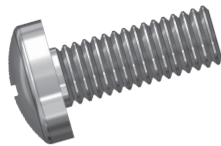
D

M5x10 Thumb Screw
Qty.-3



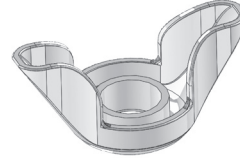
E

M6x10 Phillips Flange Screw
Qty.-9



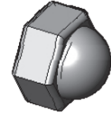
F

M6x15 Phillip Screw
Qty.-8



G

M8 Wing Nut
(Packed with temperature gauge)
Qty.-1



H

Cap Nut
(Assembled to warming rack)
Qty.-2

STOP

DO NOT RETURN TO RETAILER for assembly assistance, missing or damaged parts. Please contact MASTERBUILT customer service at 1-800-489-1581 or support.masterbuilt.com. Please have the model number and serial number available. These numbers are located on the silver rating label on the smoker.

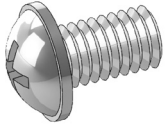
- **BEFORE ASSEMBLY READ ALL INSTRUCTIONS CAREFULLY.**
- Assemble on a clean flat surface.
- Tools needed: Phillips head screwdriver
- Approximate assembly time: 20 minutes
- Actual product may differ from picture shown.
- It is possible that some assembly steps have been completed in the factory.

Assembly

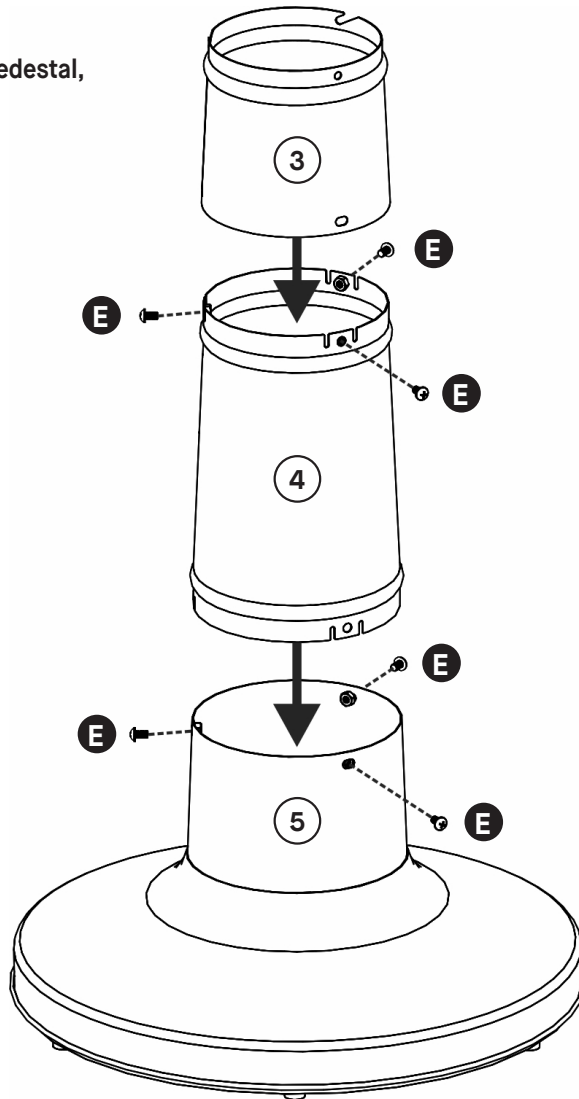
1

If your model comes with a pedestal, proceed with this step.

E

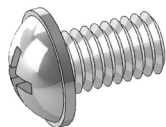


X6

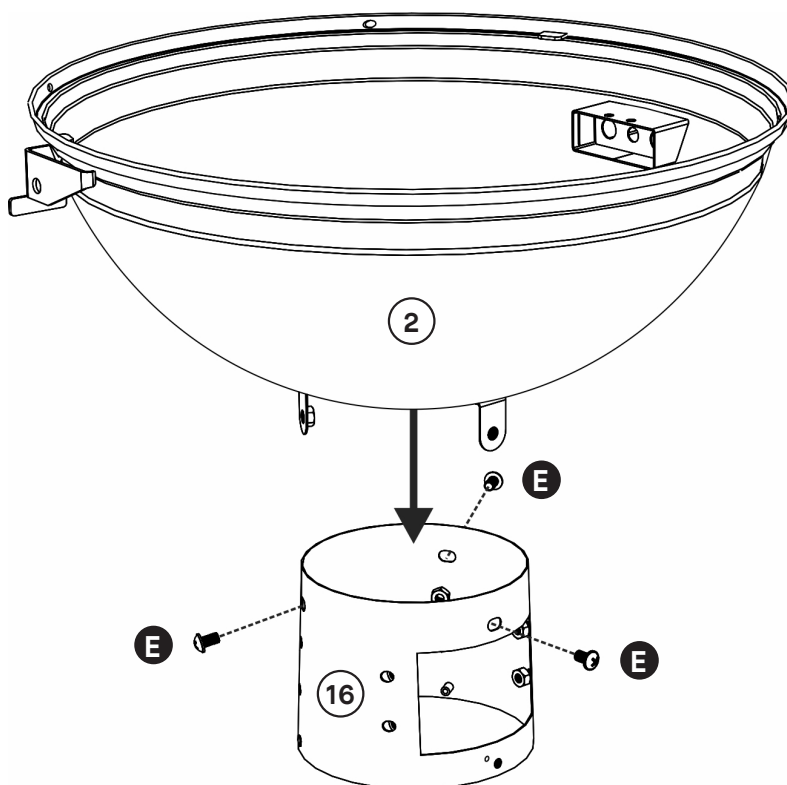


2

E

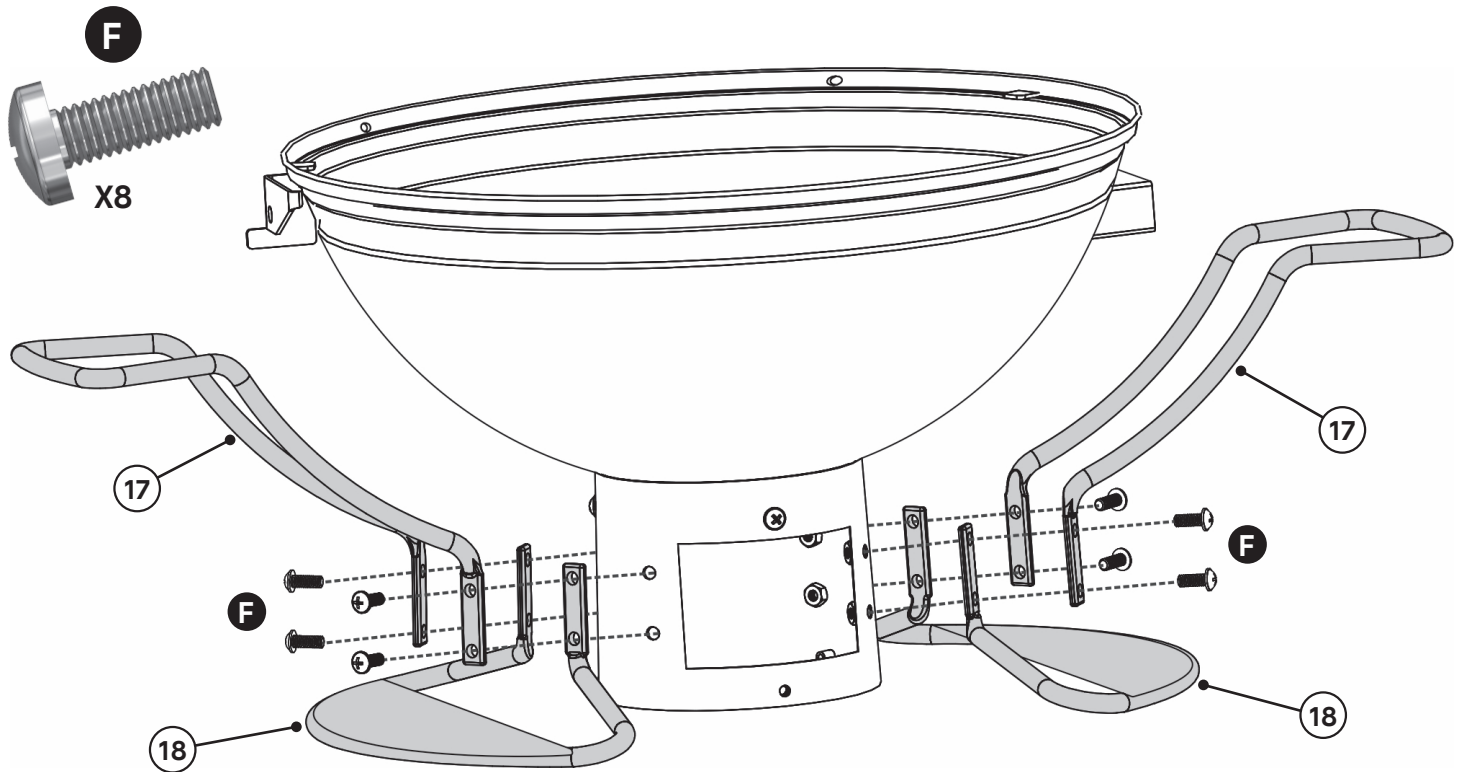


X3

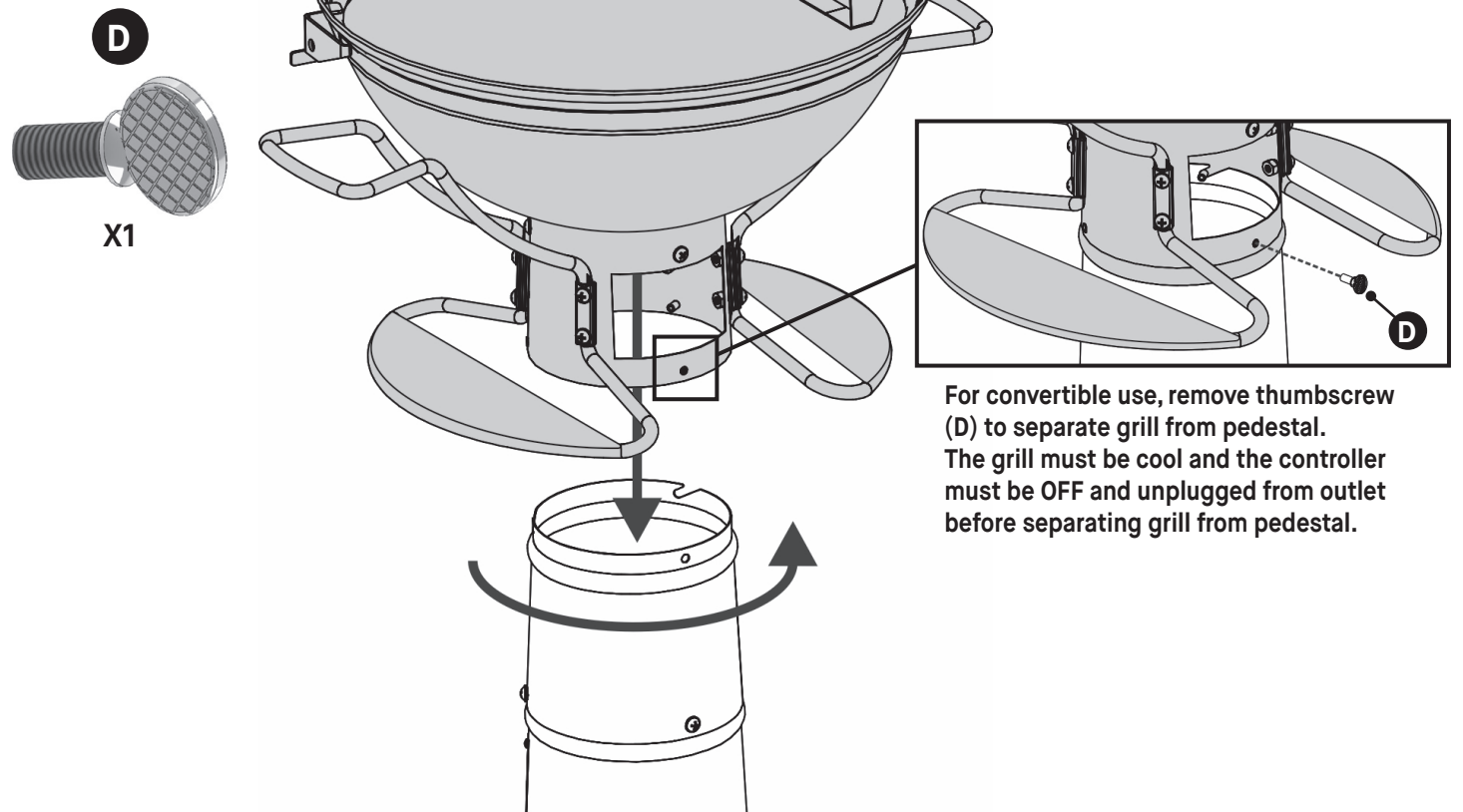


Assembly

3

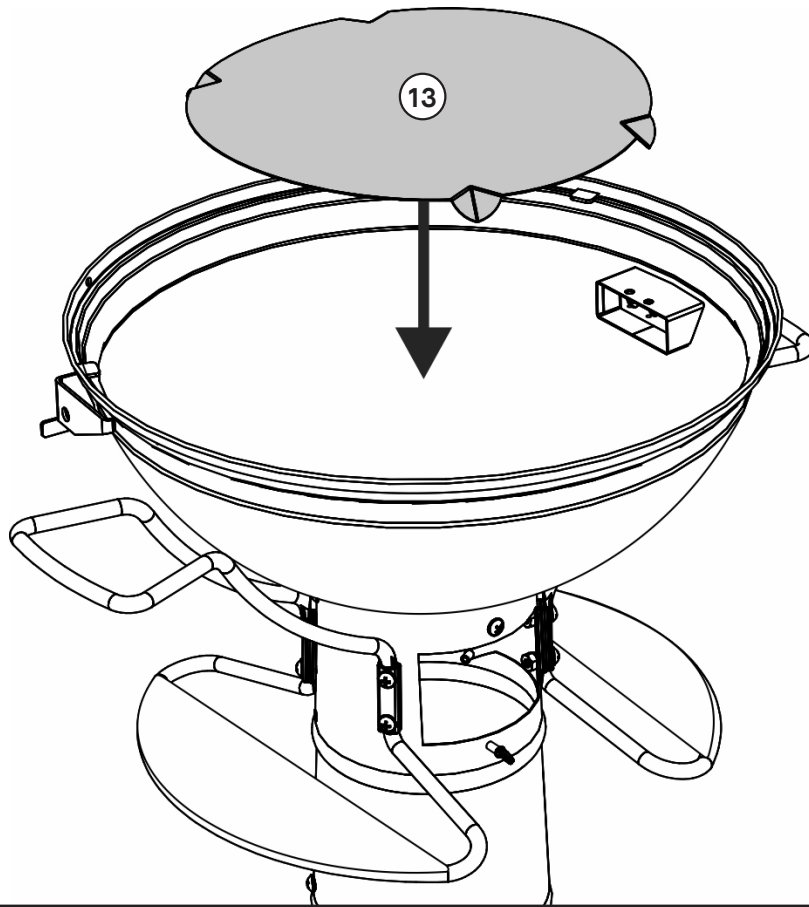


4

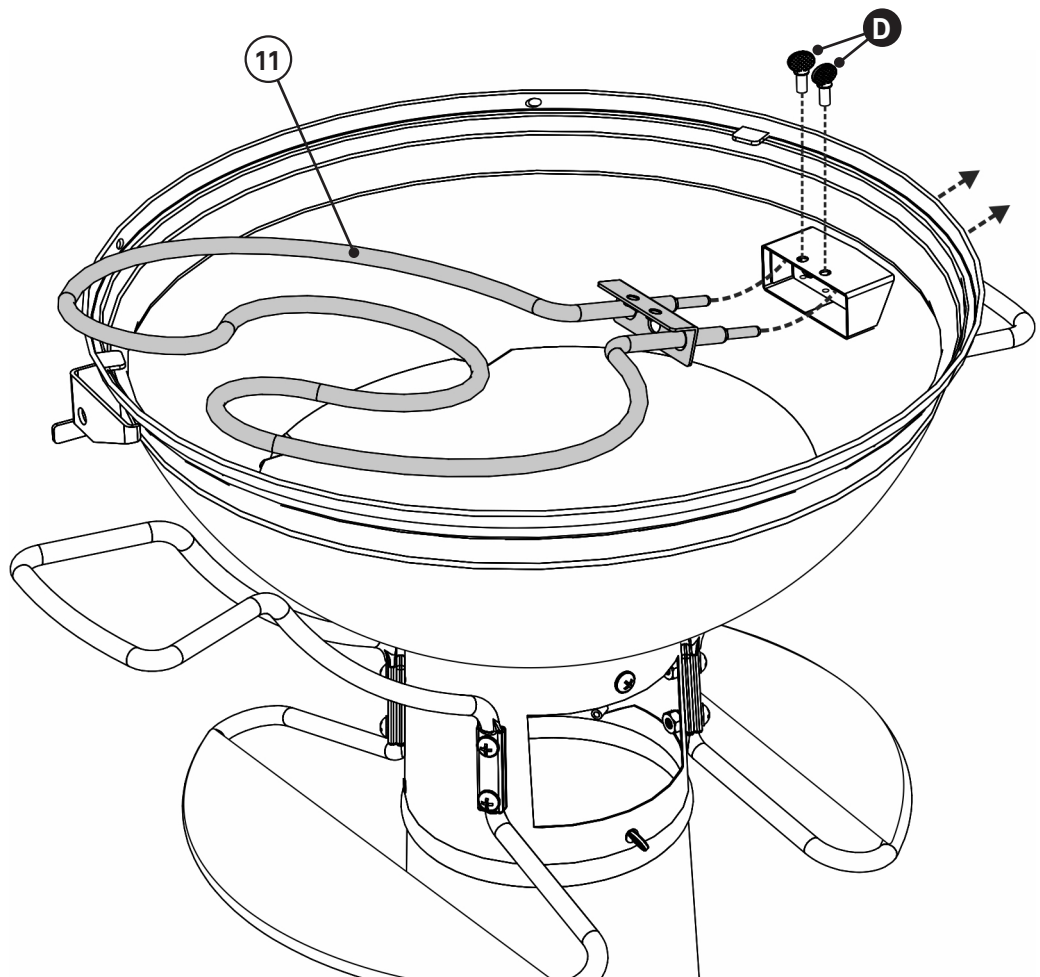
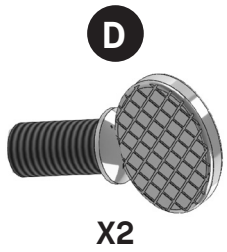


Assembly

5

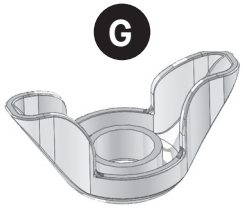


6



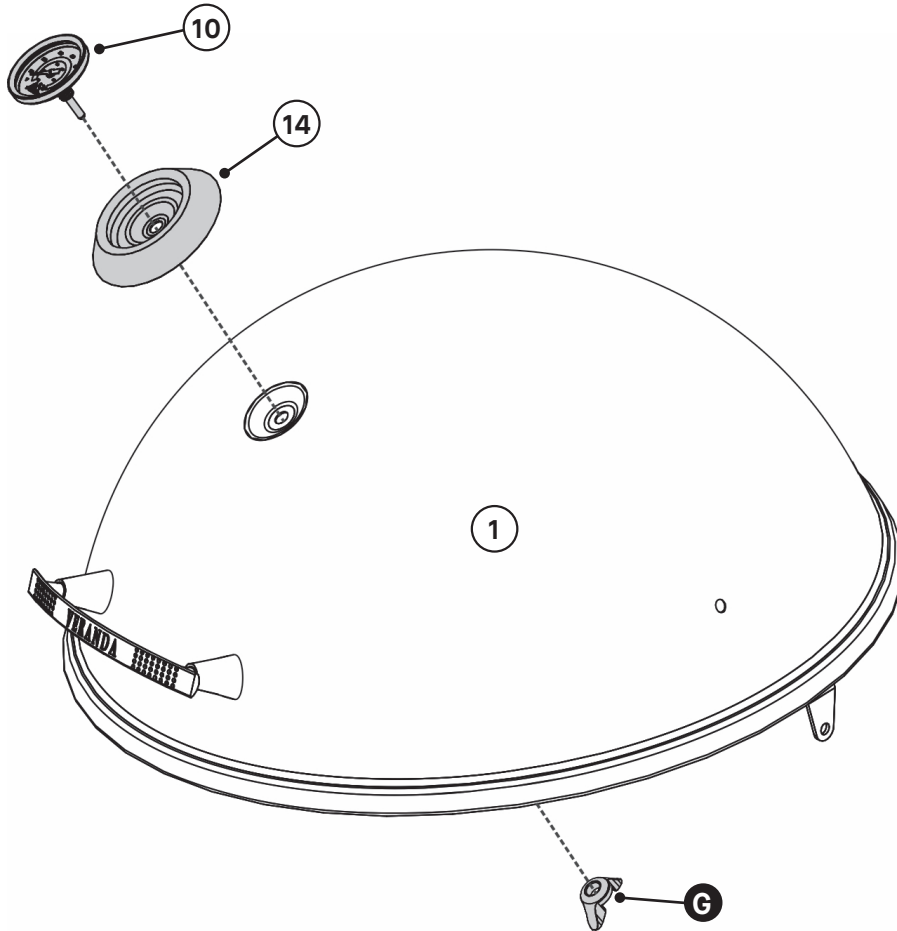
Assembly

7

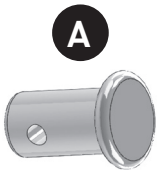


G

X1
(Packed with temperature gauge)

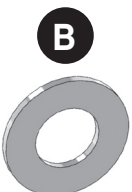


8



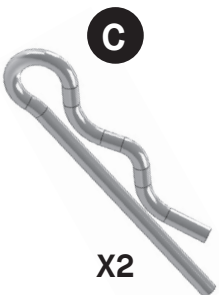
A

X2



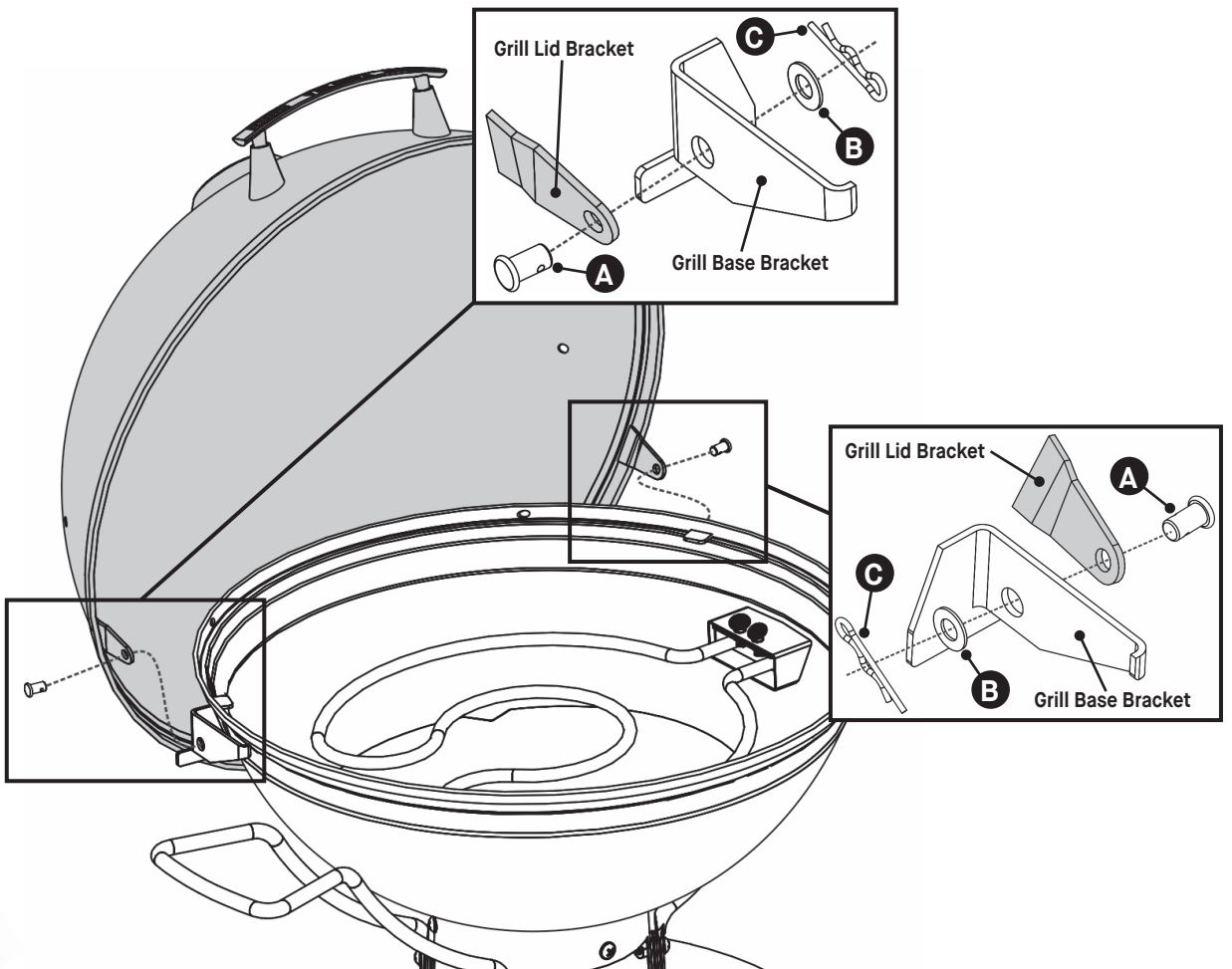
B

X2



C

X2



Grill Lid Bracket

Grill Base Bracket

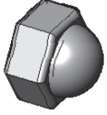
Grill Lid Bracket

Grill Base Bracket

Assembly

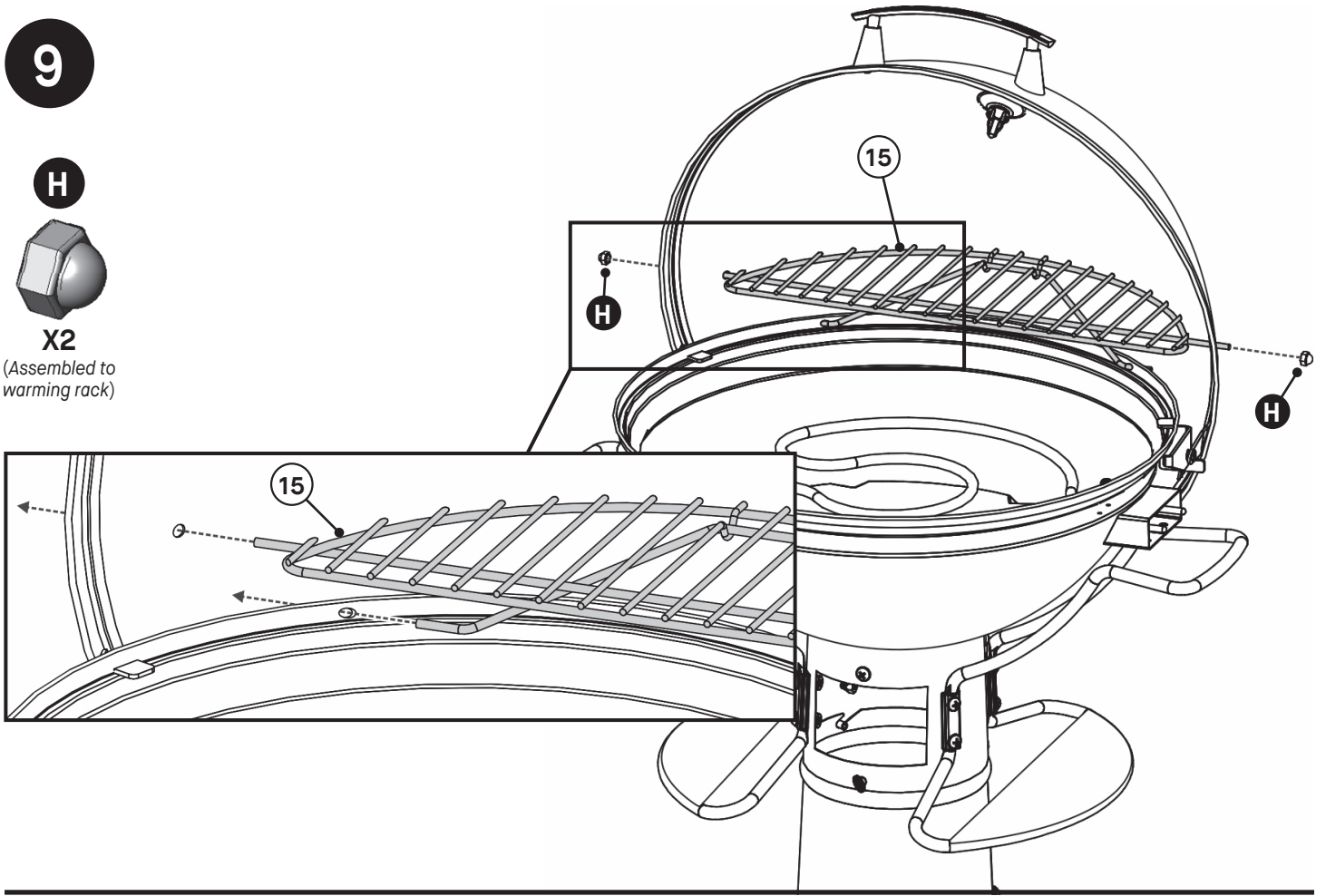
9

H

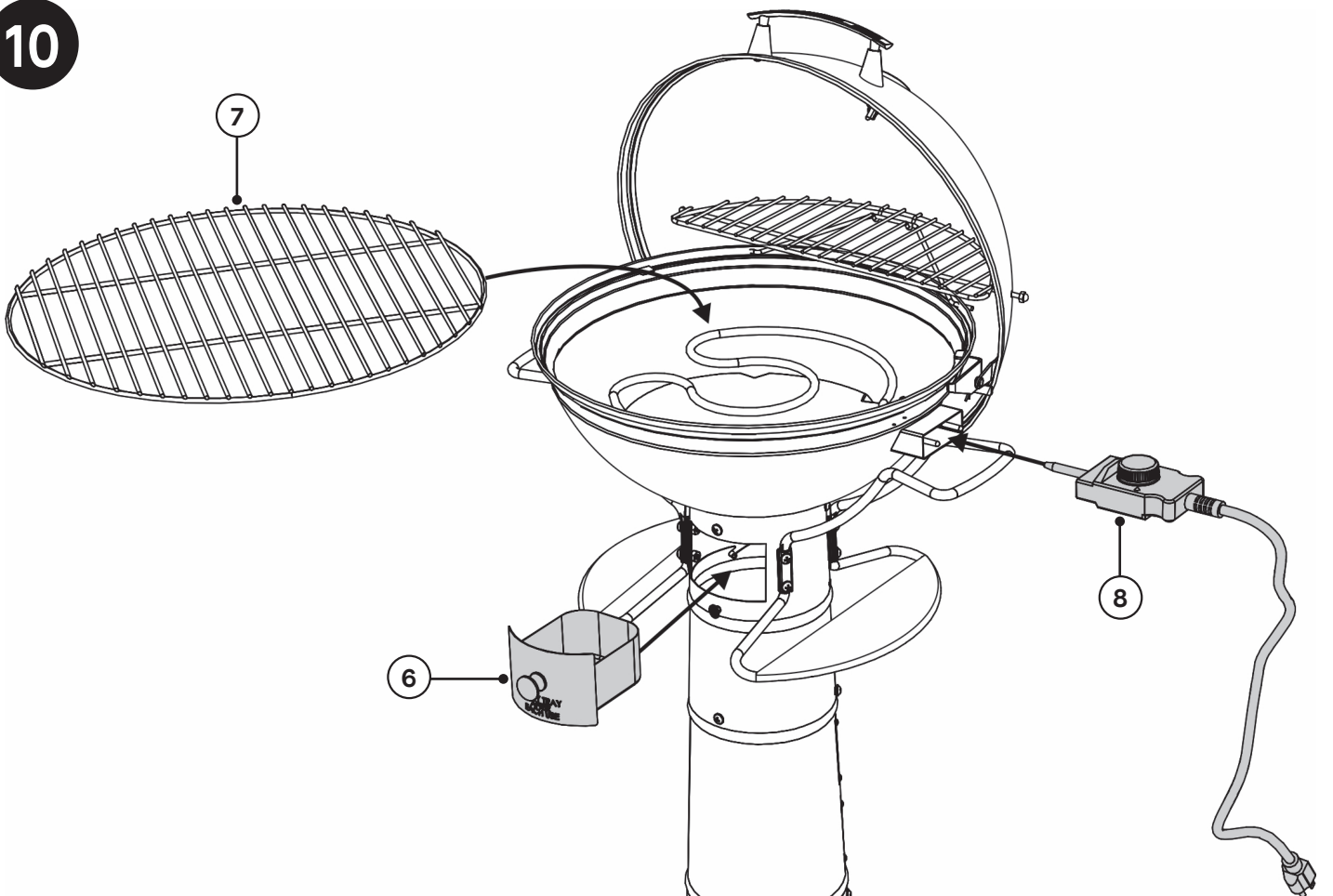


X2

(Assembled to warming rack)



10



Operating Instructions



Step 1 - Connect controller to grill body.

Step 2 - Plug power cord into an outlet. Refer to “WARNINGS & IMPORTANT SAFEGUARDS” section of this manual.

Step 3 - Turn control knob to desired setting.
Indicator light will turn off when set temperature is reached.

WARNING

To ensure that it is safe to eat, food must be cooked to the minimum internal temperatures listed in the table below.

USDA* Safe Minimum Internal Temperatures	
Fish	145°F (63°C)
Pork	145°F (63°C)
Egg Dishes	160°F (71°C)
Steaks and Roasts of Beef, Veal or Lamb	145°F (63°C)
Ground Beef, Veal or Lamb	160°F (71°C)
Whole Poultry (Turkey, Chicken, Duck, etc.)	165°F (74°C)
Ground or Pieces Poultry (Chicken Breast, etc.)	165°F (74°C)
* United States Department of Agriculture	

Troubleshooting

SYMPTOM	CAUSE	POSSIBLE SOLUTION
Power light won't come on	Not plugged into outlet	Check outlet connection
	House breaker tripped	Make sure other appliances are not operating on the same electrical circuit. Check household breakers.
	Controller not plugged into base pan	Check controller connection
	Controller malfunctioning	Contact Masterbuilt at 1-800-489-1581
Grill takes excessive amount of time to heat up, longer than 15-20 min, or does not produce enough heat	Controller plugged into an extension cord	Set grill so extension cord does not have to be used
	Lid not in place	Close lid to retain heat in grill
	Controller malfunctioning	Contact Masterbuilt at 1-800-489-1581
Controller does not adjust heat	Not plugged into outlet	Check outlet connection
	Controller not plugged into base pan	Check controller connection
	Controller malfunctioning	Contact Masterbuilt at 1-800-489-1581
Grill reaches extremely high temperatures	Controller/element malfunctioning	Contact Masterbuilt at 1-800-489-1581
Frequent flare-ups	Cooking fatty foods	Use low temperature setting with lid open
	Grease build-up	Clean internal grease cup and grill base
Power light is on, grill isn't heating	Controller malfunctioning	Contact Masterbuilt at 1-800-489-1581
	Faulty element	Contact Masterbuilt at 1-800-489-1581

Masterbuilt 1-Year Limited Warranty

Masterbuilt warrants its products to be free from defects in material and workmanship under proper assembly, normal use and recommended care for 1 year from the date of original retail purchase. The Masterbuilt warranty does not cover paint finish as it may burn off during normal use. The Masterbuilt warranty does not cover rust. Masterbuilt requires proof of purchase for warranty claim, such as a receipt. Upon the expiration of such warranty, all such liability shall terminate.

Within the stated warranty period, Masterbuilt, at its discretion, shall replace defective components free of charge, with the owner being responsible for shipping. Should Masterbuilt require return of component(s) in question for inspection, Masterbuilt will be responsible for shipping charges to return requested item. This warranty excludes property damage sustained due to misuse, abuse, accident, or damage arising out of transportation.

This express warranty is the sole warranty given by Masterbuilt and is in lieu of all other warranties, expressed or implied including implied warranty, merchantability, or fitness for a particular purpose. Neither Masterbuilt nor the retail establishment selling this product has authority to make any warranties or to promise any remedies in addition to or inconsistent with those stated above. Masterbuilt's maximum liability, in any event, shall not exceed the purchase price of the product paid by the original consumer/ purchaser. Some states do not allow the exclusion or limitation of incidental or consequential damages. In such a case, the above limitations or exclusions may not be applicable.

California residents only: Notwithstanding this limitation of warranty, the following specific restrictions apply; if service, repair, or replacement of the product is not commercially practical, the retailer selling the product or Masterbuilt will refund the purchase price paid for the product, less the amount directly attributable to use by the original buyer prior to the discovery of the nonconformity. Owner may take the product to the retail establishment selling this product in order to obtain performance under warranty. This express warranty gives you specific legal rights, and you may also have other rights which vary from state to state.

Visit masterbuilt.com or complete form below and return to:
Attn: Warranty Registration
Masterbuilt Manufacturing, LLC
1 Masterbuilt Court | Columbus, GA 31907

Name: _____ Address: _____

City: _____

State/Province: _____ Postal Code: _____ Phone Number: _____

E-mail Address: _____

*Model Number: _____ *Serial Number: _____

Purchase Date: _____ - _____ - _____ Place of Purchase: _____

***Model Number and Serial Number are located on silver label on the body stand.**



MASTERBUILT®

Rest assured, we're here to help.

Customer Service masterbuilt.com/contact

Masterbuilt Manufacturing, LLC
1 Masterbuilt Court | Columbus, GA | 31907

@masterbuilt



1.800.489.1581

masterbuilt.com

