

This Owner's Manual is provided and hosted by [Appliance Factory Parts](#).



# FRIEDRICH FPHFD12A3A Owner's Manual

[Shop genuine replacement parts for FRIEDRICH  
FPHFD12A3A](#)



[Find Your FRIEDRICH Air Conditioner Parts - Select From 1577 Models](#)

----- Manual continues below -----



**FRIEDRICH**

1883

# Installation Manual

## DUCTLESS SPLIT SYSTEMS



ENGLISH

ESPAÑOL

FRANÇAIS

Manual for the following models:

FPHFD09A3A - Multi zone  
FPHFD12A3A - Multi zone  
FPHFD18A3A - Multi zone



THE EXPERTS IN ROOM AIR CONDITIONING



|  |   |
|--|---|
| Caution Statements .....                 | 1 |
| Composition of the Air-Conditioner ..... | 3 |

**Before Operation**

|                       |   |
|-----------------------|---|
| Special Remarks ..... | 4 |
| Troubleshooting ..... | 4 |




**Installation and Maintenance**

|   |    |
|---|----|
| 1. Safety Notice.....                               | 5  |
| 2. The Tools and Instruments for Installation ..... | 6  |
| 3. The Installation of the Indoor Unit .....        | 6  |
| 3.1 The Initial Check .....                         | 6  |
| 3.2 Installation.....                               | 7  |
| 4. Refrigerant Pipe.....                            | 9  |
| 4.1 The Pipe Material.....                          | 9  |
| 4.2 The Connection of the Pipe .....                | 9  |
| 5. Drain Piping.....                                | 10 |
| 6. Electrical wiring .....                          | 11 |
| 6.1 General check.....                              | 11 |
| 6.2 Change of Static Pressure .....                 | 12 |
| 6.3 Electrical Installation .....                   | 13 |
| 7. Trial run.....                                   | 13 |

---

## Cautions

### Alert Symbols:

-  **DANGER** : The symbol refers to a hazard which can result in severe personal injury or death.
-  **WARNING** : The symbol refers to a hazard or an unsafe practice which may result in severe personal injury or death.
-  **CAUTION** : The symbol refers to a hazard or an unsafe practice which may result in personal injury, product or property damage.
- NOTE** : It refers to the remarks and instruction to the operation, maintenance, and service.

- This air-conditioner should be installed properly by qualified personnel in accordance with the installation instructions provided with the unit.
- Before installation, check if the voltage of the power supply at installation site is the same as the voltage shown on the nameplate.

 **DANGER**

- Any changes or alterations to this product may cause potential for leaks, mechanical failure, electric shock or fire.
- Caution should be taken if installation is in an area where construction is still on going, welding near the product increases the potential for a fire hazard.
- To ensure that the product will last and be trouble free, Do not install in high-heat areas or where caustic gases are present.

---

 **WARNING**

- The place where this product is installed must have the reliable electrical grounding facility and protection. Please do not connect the grounding of this product to various kinds of air-feeding ducts, drain piping, lightning protection facility as well as other piping lines to avoid receiving an electric shock and damages caused by other factors.
- Wiring must be done by a qualified electrician. All the wiring must comply with the local electrical codes.
- Consider the capacity of the electric current of your electrical meter and socket before installation.
- The power wire where this product is installed is supposed to have the independent leakage protective device and the electric current over-load protection device which are provided for this product.
- Means for disconnection, which can provide full disconnection in all poles, must be incorporated in the fixed wiring in accordance with the wiring rules .

- 
- **Read this manual carefully before using this air-conditioner. If you still have any difficulties or problems, consult your dealer for help.**
  - **The air-conditioner is designed to provide you with comfortable room conditions. Use this unit only for its intended purpose as described in this instruction manual.**

## CAUTION Statements

### WARNING

- Never use gasoline or other inflammable gas near the air-conditioner, which is very dangerous.
- When the air conditioner operation is abnormal, such as burnt smell, deformation, fire, smoke, and so on, it is forbidden to continue using the air conditioner, the main power switch of the air conditioner must be cut off immediately and the agent must be contacted.

### CAUTION

- Do not turn the air-conditioner on and off from the main power switch. Use the ON/OFF operation button.
- Do not stick anything into the air inlet and air outlet of both the indoor and outdoor units. This is dangerous because the fan is rotating at a high speed.
- Details of type and rating of circuit breakers / ELB is detailed in outdoor instruction manual.
- The method of connection of the appliance to the electrical supply and interconnection of separate components is detailed in below part.
- The wiring diagram with a clear indication of the connections and wiring to external control devices and supply cord is detailed in below part.
- The information of dimensions of the space necessary for correct installation of the appliance including the minimum permissible distances to adjacent structures is detailed in below part.
- The range of external static pressures for ducted appliances is detailed in below part.
- The indoor unit can only supply air to one room, it is not allowed to supply air to multiple rooms.

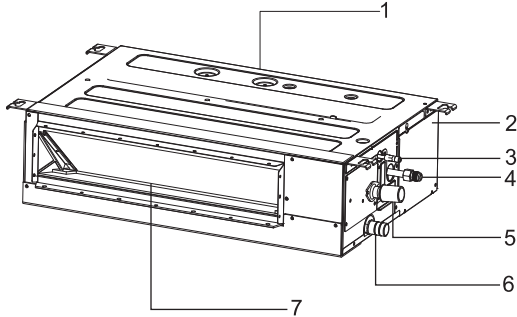
#### NOTE:

- **Storage condition:** Temperature -13~140°F (-25~60°C)  
Humidity 30%~80%

## Composition of the Air-conditioner

### Indoor unit

9K~18K



1. Air inlet
2. Electric box
3. Refrigerant pipe (Liquid)
4. Refrigerant pipe (Gas)
5. Drain pipe (Connect with pump)
6. Drain pipe
7. Air outlet

### Remote controller(optional)

You can control the air-conditioner with the wire remote controller or wireless remote controller.

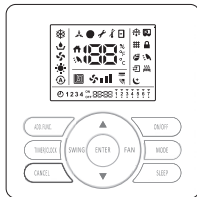
It is used for controlling power ON/OFF, setting the running mode, temperature, fan speed and other functions.

There are different types of remote controllers that can be used.

Operation instructions will be further specified in remote controller's manual.

Please read it carefully before using this appliance and keep it for future reference.

#### Wire remote controller



#### Wireless remote controller



**Note:** The figures are based on the external views of the standard model.

Consequently, the shape may differ for the air conditioner model you have selected.

### Remarks

- 3 minutes protection after compressor stop  
To protect compressor, it will be continue to be off for at least 3 minutes once it has stopped.
- 5 minutes protection  
Compressor must run for at least 5 minutes once operational. In the 5 minutes, compressor will not stop even the room temperature reaches the setting temperature point unless you use remote controller to turn off the unit (all indoor unit can be turned off by user).
- Cooling operation  
The fan of the indoor unit will never stop running in cooling operation. It continues to operate even if the compressor stops working.
- Heating operation  
Heating capacity depends on external factors like outdoor unit temperature. Heating capacity might decrease if outdoor ambient temperature is too low.
- Anti-freezing function during cooling  
When the temperature of the air from the indoor outlet is too low, the unit will run for some time under the fan mode, to avoid frost or ice forming on the indoor heat exchanger.
- Cold air prevention  
In several minutes after the heating mode is started, the fan of the indoor unit will not run until the heat exchanger of the indoor unit reaches a certain temperature to prevent cold draft.
- Defrosting  
When the outdoor temperature is too low, frost or ice may form on the outdoor heat exchanger, reducing heating performance. When this happens, a defrosting system of the air conditioner will operate. At the same time the fan in the indoor unit stops (or runs at a very low speed in some cases), to prevent cold draft. After defrosting is over, the heating operation and fan speed restart.
- Blow out the survival heating air  
When stopping the air conditioner in normal operation, the fan motor will run with low speed for a while to blow out the residual heating air.
- Auto re-start from of Power Break  
When the power supply is recovered after power break, all presets are still effective and the air-conditioner will run according to the previous setting.

### Troubleshooting



If the issues persists even after checking the following, contact your dealer and inform them of the items. according to the original setting.

1. Document the following before contacting dealer

- (1) Unit Model Name
- (2) Description of issue

2. No Operation

Check whether the SET TEMP is set at the correct temperature.

3. Not Cooling or Heating properly

- Check for obstruction of air flow in indoor and outdoor units.
- Check if too many heating sources are located in the room.
- Check if the air filter is clogged with dust.
- Check if the doors or windows are open.
- Check if the temperature condition is not within the operation range.

4. Other issues with continued operation

- Unpleasant odors from indoor unit  
Unpleasant odors can occur if filters or coils become dirty, please have a service provider inspect your product for Preventive maintenance.
- Unusual sounds  
During the beginning of operation and stoppage of operation, due to thermal expansion some plastic parts may make sounds. This is not abnormal.
- Fog from outdoor unit  
During defrost, it is not unusual to observe moisture or steam being discharged for outdoor unit.
- Moisture on air discharge  
During cooling operation over long periods of operation and high humidity, moisture can form on discharge.
- Refrigerant Flow Sound  
While the system is being started or stopped, sound from the refrigerant flow may be heard.

### 1. Safety Notice

#### WARNING

- Installation should be performed by a qualified personnel. (Improper installation may cause water leakage, electrical shock or fire.)
- Install the unit according to the instructions given in this manual. (Incomplete installation may cause water leakage, electrical shock or fire).
- Be sure to use the supplied or specified installation parts. (Use of other parts may cause the unit to get loosened, water leakage, electrical shock or fire).
- Install the air conditioner on a solid base that can support the unit weight. (An inadequate base or incomplete installation may cause injury if the unit falls off the base).
- Electrical work should be carried out in accordance with the installation manual and the local national electrical wiring rules or code of practice. (Insufficient capacity or incomplete electrical work may cause electrical shock or fire).
- Be sure to use a dedicated power circuit. (Never use a power supply shared by another appliance).
- For wiring, use a cable long enough to cover the entire distance. Do not use an extension cord.
- Do not put other loads on the power supply, use a dedicated power circuit.
- Use the specified types of wires for electrical connections between the indoor and outdoor units. (Firmly clamp the interconnecting wires so their terminals receive no external stresses).
- Incomplete connections or clamping may cause terminal overheating or fire.
- After connecting all the wires be sure to fix the cables so that they do not put undue force on the electrical covers or panels. (Install covers over the wires, incomplete cover installation may cause terminal overheating, electrical shock or fire).
- When installing or relocating the system, be sure to keep the refrigerant circuit free from air (Air in the refrigerant circuit may causes an abnormal pressure rise or rupture, resulting in injury).
- If any refrigerant has leaked out during the installation work, ventilate the room.
- After all installation is completed, check to make sure that no refrigerant is leaking out. (The refrigerant produces a toxic gas if exposed to flames).
- When carrying out piping connection, take care not to let air substances other than the specified refrigerant get into refrigeration cycle. (Otherwise, it will cause lower performance, abnormal high pressure in the refrigeration cycle, explosion and injury).
- Make sure that the installation is properly grounded. Do not ground the unit to a utility pipe, lightning arrester, or telephone grounding. Incomplete grounding may cause electrical shock. (A high surge current from lightning or other sources may cause damage to the air conditioner).
- An earth leakage circuit breaker may be required depending on the site condition to prevent electrical shock.
- Disconnect the power supply before wiring, piping, or checking the unit.
- When moving the indoor unit and outdoor unit, please be careful, do not make the outdoor unit incline over 45 degree. Pay attention to the sharp edges of the air conditioner to avoid any injury.
- During remote controller installation, ensure that the length of the wire between the indoor unit and remote controller is within 131 ft. (40m).

#### CAUTION

- Do not install the air conditioner in a place where there is danger of exposure to inflammable gas leakage.
- Establish drain piping according to the instructions in this manual. (Inadequate piping may cause flooding).
- Tighten the flare nut according to the specifications with a torque wrench. (If the flare nut is tightened beyond specified torque, the flare nut may crack after a long time and cause refrigerant leakage).



## Installation and Maintenance

- Optimum air distribution is ensured.
- The air passage is not blocked.
- Condensate can drain properly.
- The ceiling is strong enough to bear the weight of the indoor unit.
- A false ceiling does not seem to be at an incline.
- Sufficient clearance for maintenance and servicing is ensured.(See Fig.3.1.1 )
- Piping between the indoor and outdoor units is within the allowable limits.(refer to the installation of the outdoor unit )
- The indoor unit, outdoor unit, power supply wiring and transmission wiring must be kept at least 1 meter away from televisions and radio, this prevents image interference and noise in electrical appliances.  
(Noise may be generated depending on the conditions under which the electric wave is generated, even if a one-meter allowance is maintained.)
- Do not install the indoor unit in a machinery shop or kitchen where vapor from oil or its mist flows to the indoor unit. The oil will deposit on the heat exchanger, thereby reducing the performance of the indoor unit, and may deform and in the worst case, break the plastic parts of the indoor unit.
- Use suspension bolts to install the unit, check whether or not the ceiling is strong enough to support the weight of the unit. If there is a risk that the ceiling is not strong enough, reinforce the ceiling before installing the unit.

- (1) Remove the intake-side flange, then remove the chamber lid. Refer to Fig. 3.1.2 for the directions.
- (2) Reattach the removed chamber lid in the orientation shown in Fig. 3.1.3, reattach the removed intake-side flange in the orientation as shown in Fig. 3.1.3.

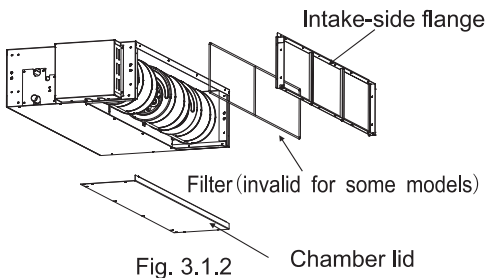


Fig. 3.1.2

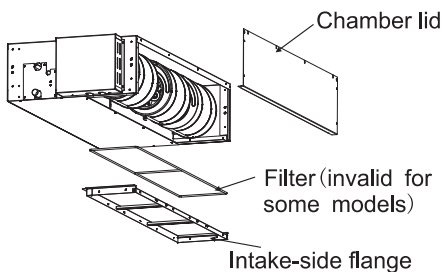


Fig. 3.1.3

### 3.2 Installation

#### 3.2.1 Suspension bolts

- (1) Consider the pipe direction, wiring and maintenance carefully, and choose the proper direction and location for installation.
- (2) Install the suspension bolts as shown in Fig. 3.2.1 below.

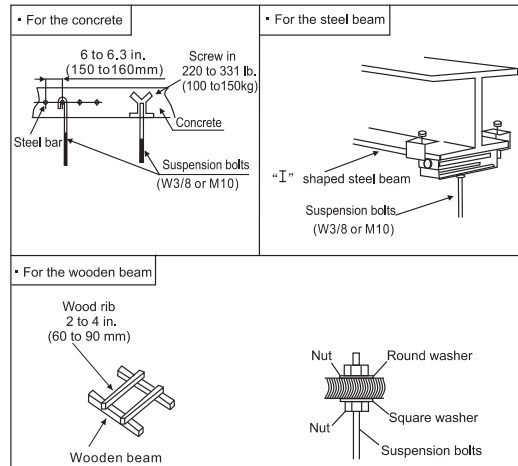
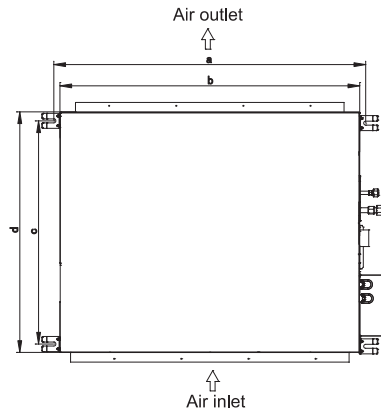


Fig. 3.2.1 Fixing the suspension bolts

#### 3.2.2 The position of the suspension bolts and the pipes

- (1) Mark the positions of the suspension bolts, the positions of the refrigerant pipes and the drain pipes.
- (2) The dimension are as shown below.



[Unit: in. (mm)]

| Model<br>(Cooling capacity) | a                  | b                  | c                 | d               |
|-----------------------------|--------------------|--------------------|-------------------|-----------------|
| 9K/12K                      | 37-5/6<br>(961)    | 35-62/75<br>(910)  | 14-42/55<br>(375) | 17-3/5<br>(447) |
| 18K                         | 48-13/28<br>(1231) | 46-21/46<br>(1180) | 14-42/55<br>(375) | 17-3/5<br>(447) |

Fig. 3.3 Suspension bolts

## Installation and Maintenance

### 3.2.3 Install the indoor unit.

The installation of the indoor unit is shown in Fig. 3.4.

Suspension bolts (4-M10 or W3/8)  
(Field supplied)

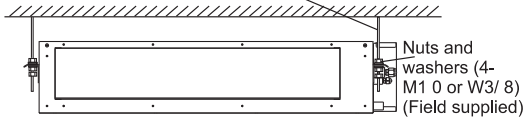


Fig. 3.4 The installation of the indoor unit

(1) How to fix the suspension bolts and the nuts  
As shown in the figures 3.5, the nuts are fixed four bolts.

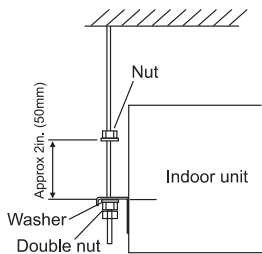


Fig. 3.5 Suspension bolts and nuts

(2) Install the indoor unit

- As shown in the following figure, place the left hanger bracket on the nuts and washers of the suspension bolts.
- Make sure that the left hanger bracket has been fixed on the nuts and washers securely, install the right hanger bracket suspension hook on the nuts and washers.

(When installing the indoor unit, you can slightly remove the suspension bolts.)

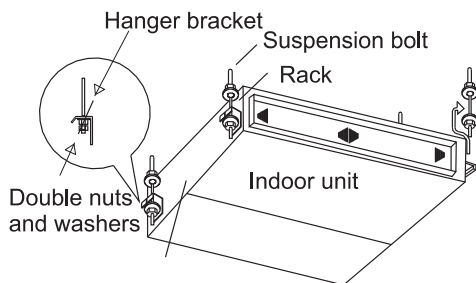


Fig. 3.6

### 3.2.4 Adjusting of the unit level

- (1) Check to ensure that the foundation is flat, taking into account the maximum foundation gradient.
- (2) The unit should be installed that the drainage side is slightly [0 in.~ 0.2 in. (0mm~5mm)] lower than other sides for adequate drainage.

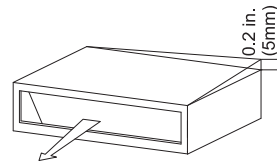


Fig. 3.7

- (3) After the adjustment, tighten the nuts and swear the thread locker on the suspension to prevent the nuts from loosening.

#### ▲ CAUTION

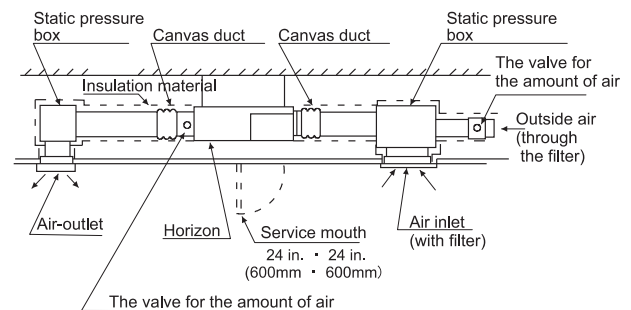
- (1) During the installation, please cover the unit with the plastic cloth to keep it clean.
- (2) Make sure that the unit is installed level by using a level or a plastic tube filled with water in instead of a level, adjust the top surface of the unit to the surface of the water at both ends of the plastic tube and adjust the unit horizontally.(one thing to watch out for in particular is if it is installed so that the slope is not in the direction of the drain piping, as this might cause leaking.)

### 3.2.5 Installing the duct

#### ▲ CAUTION

- Make sure the external static pressure of the unit is within the range.
- Connect the duct and intake-side flange.
- Connect the duct and outlet-side flange.
- The connection of indoor unit and air duct must be well sealed and kept warm with insulation material.

<Example>



### 4. Refrigerant Pipe

**⚠ DANGER**

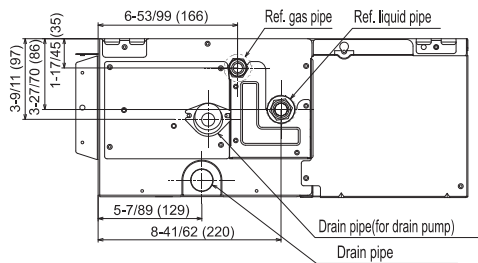
Use the refrigerant according to outdoor nameplate. When carrying on the leakage check and test, do not mix in the oxygen, the acetylene and flammable and the virulent gas, for these gases are quite dangerous, and may possibly cause explosion. It is suggested that the nitrogen be used to perform these experiments.

#### 4.1 The Pipe Material

- (1) Prepare the copper pipe on the spot.
- (2) Choose dustless, non-humid, clean copper pipe. Before installing the pipe, use nitrogen or dry air to blow away the tube dust and impurity.
- (3) Choose the copper pipe according to Fig. 4.2.

#### 4.2 The Connection of the Pipe

- (1) The connection positions of the pipe are shown in Fig. 4.1 and Fig. 4.2.



9K~18K

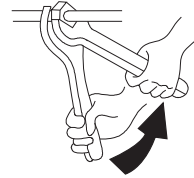
Unit: in. (mm)

Fig. 4.1 The connection positions of the pipe

| Model (Btu/h) | Gas Pipe [in. (mm)] | Liquid Pipe [in. (mm)] |
|---------------|---------------------|------------------------|
| 9K~12K        | ø 3/8 (9.52)        | ø 1/4 (6.35)           |
| 18K           | ø 1/2 (12.7)        | ø 1/4 (6.35)           |

Fig. 4.2 The pipe diameter

- (2) As shown in Fig. 4.3, screw up the nuts with 2 spanners.



| Tube size [in. (mm)] | Torque [lbf-ft. (N·m)] |
|----------------------|------------------------|
| ø 1/4 (6.35)         | 14.8 (20)              |
| ø 3/8 (9.52)         | 29.5 (40)              |
| ø 1/2 (12.7)         | 44.3 (60)              |
| ø 5/8 (15.88)        | 59.0 (80)              |
| ø 3/4 (19.05)        | 73.8 (100)             |

Fig. 4.3 Tightening torque for the nut

- (3) After finishing connecting the refrigerant pipes, keep it warm with the insulation material.

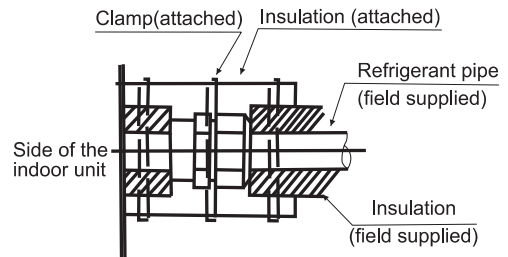
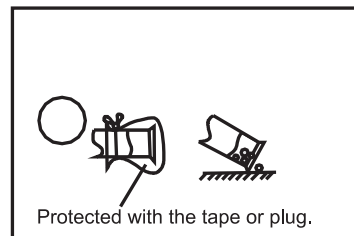


Fig. 4.4 Piping insulation procedure

**⚠ CAUTION**

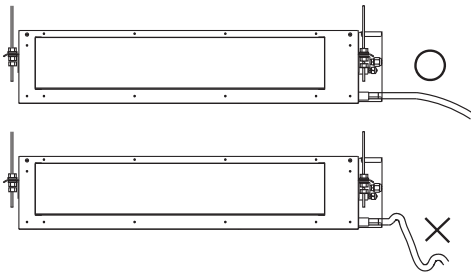
- The pipe go through the hole with the seal.
- Do not put the pipes on the floor directly.



### 5. Drain piping

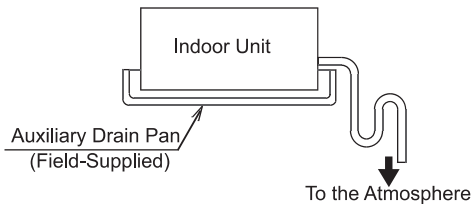
Install the drain piping

- Make sure the drain works properly .
- Prepare polyvinyl chloride pipe with a 1.3 in.(32mm) outer diameter.
- The diameter of drain pipe connection hole should be same as that of the drain pipe.
- Keep the drain pipe short and sloping down wards at a gradient of at least 1/100 to prevent air pockets from forming.



#### NOTE

When the relative humidity of inlet or ambient air exceeds 80%, apply an (field-supplied) auxiliary drain pan beneath the indoor unit as shown below.

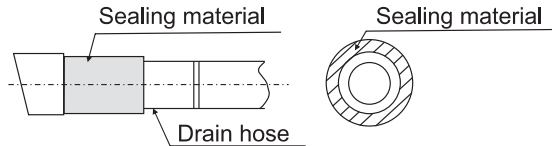


#### ▲ CAUTION

Water accumulating in the drain piping can cause the drain to clog.

- To keep the drain tube from sagging, space hanging wires every 3.3 ft. (1m) to 5.0 ft. (1.5m).
- Use the drain hose and the clamp. Insert the drain hose fully into the drain socket and firmly tighten the drain hose and warm-keeping material with the clamp.
- The two areas below should be insulated because condensation may happen there causing water leakage.

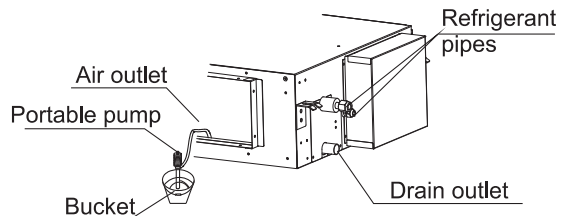
- Drain piping passing indoors
- Drain sockets.
- Referring the figure below, insulate the drain socket and drain hose using the included large sealing pad.



#### ▲ CAUTION

Drain piping connections

- Do not connect the drain pipes directly to sewage pipes to avoid ammonia odour. The ammonia in the sewage might enter the indoor unit through the drain pipes and corrode the heat exchanger.
- Do not twist or bend the drain hose, doing so applies excessive force applied on it and may also cause leakage.
- After piping work is finished, check if drainage flows smoothly.
- Gradually pour approximately 1000 cc of water from the outlet hole into the drain pan to check drainage flow.
- Check the drainage as shown below:



## 6. Electrical Wiring

### 6.1 General Check

**CAUTION**

- When clamping the wiring, use the included clamping material to prevent external pressure being exerted on the wiring connections and clamp firmly.
- While performing wiring work, make sure the wiring is proper and does not cause the control box lid to stick up, then close the cover firmly. When attaching the control lid, make sure you do not pinch any wires.
- Outside the indoor unit and outdoor unit, separate the weak wiring (remote controller and transmission wiring) and strong wiring (ground and power supply wiring) at least 2 in. (50mm) so that they do not pass through the same place together. Proximity may cause electrical interference malfunction and breakage.

**WARNING**

- If the fuses burn up, please call the authorized service dealer. Please do not replace it by yourself, as it may result in accident or electric shock.

- (1) Remove the screws and the electric box cover as shown in the Fig. 6.1.
- (2) Pass connection cable and wired controller cable through the two holes on the conduit panel.
- (3) Fasten the conduit connection to the conduit panel using the lock nut.
- (4) Connect the connection cable and wired controller cable to the terminal.
- (5) Tie the cable in the electric box with the clamp tightly.
- (6) After completing the wiring, seal the wiring hole with the sealing material (with the lid) to prevent the condensation and insects entering the control box.
- (7) Put the electric box cover back after completion of the work.

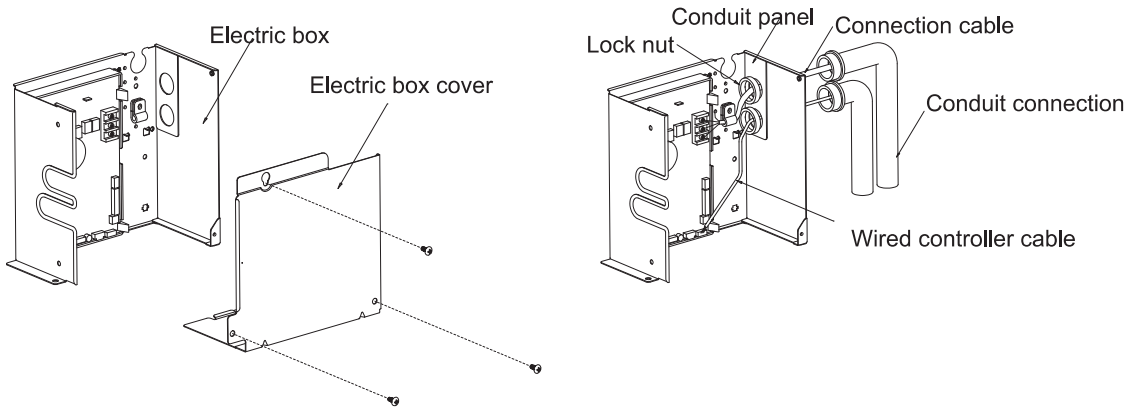
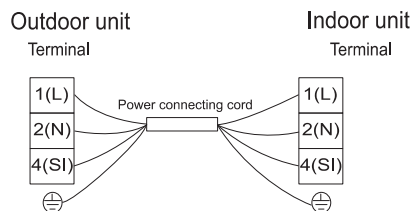


Fig.6.1

### Electrical Wiring Diagram



### 6.2 Change of Static Pressure

The static pressure can be freely adjusted by using specific wire remote controller.

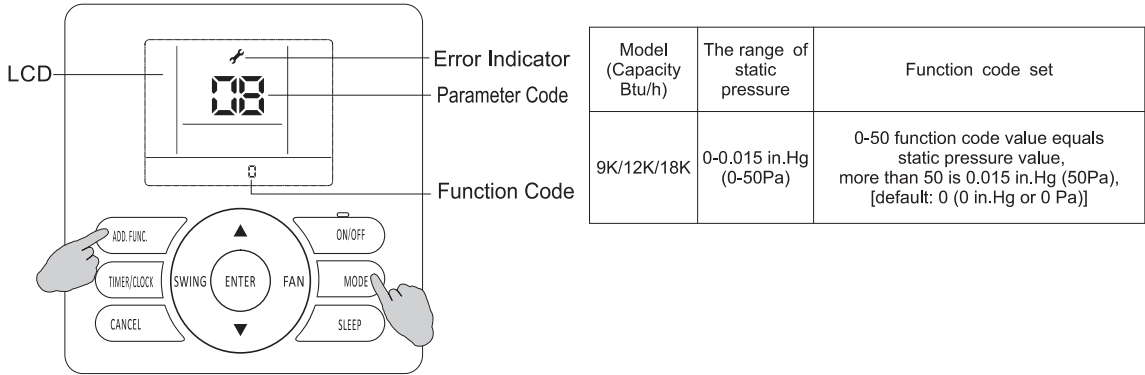


Fig 6.2

| Model<br>(Capacity<br>Btu/h) | The range of<br>static<br>pressure | Function code set  |
|------------------------------|------------------------------------|--|
| 9K/12K/18K                   | 0-0.015 in.Hg<br>(0-50Pa)          | 0-50 function code value equals<br>static pressure value,<br>more than 50 is 0.015 in.Hg (50Pa),<br>[default: 0 (0 in.Hg or 0 Pa)] |

#### Static pressure setting:

- 1 Hold down both "MODE" button and "ADD.FUNC." button for 3 seconds, symbol and parameter code blinking at the same time.
- 2 Press "▲/▼" button to adjust parameter number until display "17", and press "ENTER" button to entering system parameter adaption state, symbol stop blinking.
- 3 Select desired parameter code 10 by pressing "▲/▼" button, and press "ENTER" button to confirm.
- 4 Select desired function code to rewrite the parameter values by pressing "▲/▼" button, and press "ENTER" button to confirm.
- 5 Press "ON/OFF" button or "CANCEL" button to quit.

If you still have any trouble, please contact local technical service center of our company for further information.

### 6.3 Electrical Installation

**WARNING**

- Use an ELB (Electric Leakage Breaker). If not used, it will cause an electric shock or a fire.
- Do not operate the system until all the check points have been cleared.
  - (A) Check to ensure that the insulation resistance is more than 2MΩ, by measuring the resistance between ground and the terminal of the electrical parts. If not, do not operate the system until the electrical leakage is found and repaired.
  - (B) Check to ensure that the stop valves of the outdoor unit are fully opened and then start the system.
- **Pay attention to the following items while the system is running.**
  - (A) Do not touch any of the parts by hand at the discharge gas side, since the compressor chamber and the pipes at the discharge side are heated higher than 194°F(90°C).
  - (B) **DO NOT PUSH THE BUTTON OF THE MAGNETIC SWITCH (ES).** It will cause a serious accident.

| Model Capacity(Btu/h) | Transmitting Cable Size |
|-----------------------|-------------------------|
| 9K~18K                | 4×14AWG                 |

Note:

- (1) Follow local codes and regulations when select field wires ,and all the above are the minimum wire size.
- (2) Use copper supply wires.
- (3) When transmitting cable length is more than 49-1/5 ft. (15m) , a larger wire size should be selected.
- (4) Install main switch and ELB for each system separately. Select the high response type ELB that is acted within 0.1second.  
Recommended capacity to see outdoor machine switch capacity.

**<Attentions when Connect the power supply wiring>**

1. When connecting the terminal block using stranded wire, make sure to use the round crimp-style terminal for connection to the power supply terminal block. Place the round crimp-style terminals on the wires up to the covered part and secure in place.
2. When connecting the terminal block using a single core wire, be sure to perform curing.

## 7. Trial Run

Please perform trial run according to outdoor unit installation manual.



**FRIEDRICH**

1 8 8 3

# Installation Manual

## DUCTLESS SPLIT SYSTEMS



ESPAÑOL

Manual for the following models:

FPHFD09A3A - Multi zone

FPHFD12A3A - Multi zone

FPHFD18A3A - Multi zone



THE EXPERTS IN ROOM AIR CONDITIONING



## Contenido

|  |   |
|--|---|
| Indicaciones de advertencia .....        | 1 |
| Composición del aire acondicionado ..... | 3 |

### Antes de Operar




|                               |   |
|-------------------------------|---|
| Comentarios especiales.....   | 4 |
| Resolución de problemas ..... | 4 |

### Instalación y mantenimiento

|   |    |
|---|----|
| 1. Aviso de seguridad.....                              | 5  |
| 2. Herramientas e instrumentos para la instalación..... | 6  |
| 3. Instalación de la unidad interior .....              | 6  |
| 3.1 Comprobación inicial.....                           | 6  |
| 3.2 Instalación.....                                    | 7  |
| 4. Tubería de refrigerante .....                        | 9  |
| 4.1 Material de la tubería .....                        | 9  |
| 4.2 Conexión de la tubería .....                        | 9  |
| 5. Tuberías de drenaje .....                            | 10 |
| 6. Cableado eléctrico .....                             | 11 |
| 6.1 Revisión general .....                              | 11 |
| 6.2 Cambio de presión estática .....                    | 12 |
| 6.3 Instalación eléctrica .....                         | 13 |
| 7. Ejecución de prueba .....                            | 13 |

## Indicaciones de advertencia

### Alert Symbols:

-  **PELIGRO** : Este símbolo indica un riesgo que puede resultar en lesiones personales graves o muerte.
-  **ADVERTENCIA** : Este símbolo indica un riesgo o una práctica insegura que podría resultar en lesiones personales graves o muerte.
-  **PRECAUCIÓN** : Este símbolo indica un riesgo o una práctica insegura que podría resultar en lesiones personales o daños a la propiedad o el producto.

**NOTA** : Indica la existencia de comentarios e instrucciones acerca del funcionamiento, el mantenimiento y el servicio.

- Este aire acondicionado debe ser instalado correctamente por personal cualificado de acuerdo con las instrucciones de instalación proporcionadas con la unidad.
- Antes de la instalación, compruebe si la tensión de la fuente de alimentación en el lugar de la instalación es la misma que la indicada en la placa de características.

 **PELIGRO**:

- No debe realizar ninguna transformación en este producto, de lo contrario podría provocar fugas de agua, averías, cortocircuitos, descargas eléctricas, incendios, etc.
- Las tuberías, soldaduras y otros trabajos similares deben realizarse lejos de materiales explosivos o inflamables, incluido el refrigerante del aire acondicionado, para garantizar la seguridad del lugar.
- Para proteger el aire acondicionado de corrosión severa, evite instalar la unidad exterior donde el agua de mar pueda salpicar directamente sobre ella o en aire sulfuroso cerca de un spa. No instale el aire acondicionado cerca de objetos que generen mucho calor.

 **ADVERTENCIA**:

- Si el cable eléctrico está dañado, el fabricante o su departamento de servicio debe sustituirlo.
- El sitio donde sea instalado el producto debe tener las instalaciones y protección eléctrica de tierra. No conecte la toma de tierra de este producto a diversos tipos de tuberías de alimentación de aire, de drenaje, protección contra rayos u otras tuberías para evitar recibir descargas eléctricas y daños provocados por otros factores.
- Un técnico cualificado debe realizar el cableado. Todo el cableado debe cumplir con los códigos eléctricos locales.
- Tenga en cuenta la capacidad de la corriente eléctrica de su medidor eléctrico y toma de corriente antes de la instalación.
- El cable eléctrico de este producto tiene un dispositivo independiente de protección contra fugas y un dispositivo de protección contra sobrecargas de corriente eléctrica.
- Este aparato puede ser utilizado por niños mayores de 8 años y por personas con capacidades físicas, sensoriales o mentales reducidas o falta de experiencia y conocimientos si están supervisados o han recibido instrucciones relativas al uso del aparato de forma segura y si comprender los riesgos asociados. Los niños no deben jugar con este aparato. La limpieza y el mantenimiento no deben realizarlos niños sin supervisión.
- Se deben incorporar medios de desconexión en los cables fijos que permitan desconectar todos los polos, en conformidad con las normas de cableado.

- **Lea atentamente este manual antes de utilizar el aire acondicionado. Si todavía tiene dificultades o problemas, consulte a su distribuidor para obtener ayuda.**
- **El aire acondicionado ha sido diseñado para ofrecerle un ambiente confortable en la habitación. Utilice esta unidad únicamente para su finalidad prevista descrita en este manual de instrucciones.**

## Indicaciones de advertencia

### ADVERTENCIA

- Dado que es muy peligroso, nunca utilice gasolina u otros gases inflamables cerca del aire acondicionado.
- Cuando el funcionamiento del acondicionador de aire es anormal, como olor a quemado, deformación, fuego, humo, etc., está prohibido seguir utilizando el acondicionador de aire, el interruptor principal del acondicionador de aire debe ser cortado inmediatamente y debe contactarse con el agente.

### PRECAUCIÓN

- No encienda ni apague el aire acondicionado desde el interruptor principal. Utilice el botón de encendido/apagado
- No pegue nada en las entradas y salidas de aire de las unidades interior y exterior. Esto es peligroso porque el ventilador gira a alta velocidad.
- No enfríe ni caliente demasiado la habitación si hay bebés o inválidos presentes.
- Los detalles del tipo y la capacidad de los interruptores / ELB se detallan en el manual de instrucciones para exteriores.
- El método de conexión del aparato a la alimentación eléctrica y la interconexión de componentes separados se detalla a continuación.
- El diagrama de cableado con una clara indicación de las conexiones y el cableado de los dispositivos de control externos y del cable de alimentación se detalla en la parte inferior. El cable tipo H07RN-F o eléctricamente equivalente debe utilizarse para la conexión eléctrica y la interconexión entre la unidad exterior y la unidad interior. El tamaño del cable se detalla en la parte inferior.
- La información sobre las dimensiones del espacio necesario para la correcta instalación del aparato, incluidas las distancias mínimas admisibles a las estructuras adyacentes, se detalla a continuación.
- La gama de presiones estáticas externas para aparatos canalizados se detalla a continuación.
- La unidad interior sólo puede suministrar aire a una habitación, no está permitido suministrar aire a varias habitaciones.

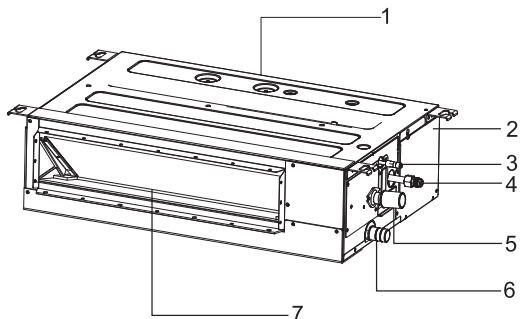
### NOTA:

- **Condiciones de almacenamiento:** Temperatura -13~140°F (-25~60°C)  
Humidity 30%~80%

## Composición del aire acondicionado

### Unidad interior

9K~18K



1. Entrada de aire
2. Caja eléctrica
3. Tubería de refrigerante (Líquido)
4. Tubería de refrigerante (Gas)
5. Tubería de drenaje (Conectar con la bomba)
6. Tubería de drenaje
7. Salida de aire

### Mando a distancia (opcional)

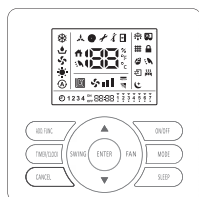
Puede controlar el aire acondicionado con un mando a distancia con cable o un mando a distancia inalámbrico. Se utiliza para controlar el ENCENDIDO APAGADO [ON/OFF], ajustar el modo de funcionamiento, la velocidad del ventilador y otras funciones.

Hay diferentes tipos de mandos a distancia compatibles.

En el manual del mando a distancia se detallan las instrucciones de funcionamiento.

Léalo atentamente antes de usar el aparato y consérvelo para consultas futuras.

#### Mando a distancia con cable



#### Mando a distancia inalámbrico



**Nota:** Las cifras están basadas en la vista externa de un modelo estándar.

En este caso, la forma puede variar según el modelo de aire acondicionado que haya seleccionado.

### Comentarios especiales

- 3 minutos de protección después de la parada del compresor  
Para proteger el compresor, seguirá apagado durante al menos 3 minutos una vez se haya detenido.
- 5 minutos de protección  
El compresor debe funcionar durante al menos 5 minutos una vez en funcionamiento. Durante los 5 minutos, el compresor no se detendrá ni siquiera si la temperatura ambiente alcanza la temperatura ajustada a menos que usted utilice el mando a distancia para apagar la unidad (el usuario puede apagar la unidad interior).
- Funcionamiento de enfriamiento  
El ventilador de la unidad interior nunca dejará de funcionar en modo enfriamiento. Continúa funcionando incluso si el compresor deja de funcionar.
- Funcionamiento de calefacción  
La capacidad de calefacción depende de factores externos como la temperatura de la unidad exterior. La capacidad de calefacción puede disminuir si la temperatura ambiente exterior es demasiado baja.
- Función anticongelante durante el enfriamiento  
Cuando la temperatura del aire de la salida interior es demasiado baja, la unidad funcionará durante algún tiempo en modo ventilador, para evitar la formación de escarcha o hielo en el intercambiador de calor interior.
- Protección contra el aire frío  
Durante varios minutos después de iniciar el modo de calefacción, el ventilador de la unidad interior no funcionará, hasta que el intercambiador de calor de la unidad interior alcance cierta temperatura para prevenir corrientes frías.
- Descongelación  
Cuando la temperatura exterior es demasiado baja puede formarse escarcha o hielo en el intercambiador de calor exterior, lo que reduce el rendimiento de la calefacción. Cuando esto sucede, el sistema de descongelación del aire acondicionado funcionará. Al mismo tiempo, el ventilador de la unidad interior se detiene (o funciona a una velocidad muy baja en algunos casos) para evitar la corriente de aire frío. Después de que el descongelamiento ha terminado, la operación de calentamiento y la velocidad del ventilador se reinicia.
- Expulsar el aire de calefacción de supervivencia  
Cuando se detiene el aire acondicionado en funcionamiento normal, el motor del ventilador funcionará a baja velocidad durante un tiempo para eliminar el aire de calefacción residual.
- Reinicio automático desde el Power Break  
Cuando la fuente de alimentación se recupera después de un corte de corriente, todas las configuraciones prefijadas siguen estando activas y el aire acondicionado funcionará de acuerdo con la configuración anterior.

### Resolución de problemas



Si el problema persiste incluso después de comprobar lo siguiente, póngase en contacto con su distribuidor e infórmele de los artículos de acuerdo con la configuración original.

1. Si el problema persiste...

(1) Nombre del modelo de la unidad

(2) Características del problema

2. No funciona

Compruebe si TEMP AJUSTADA [SET TEMP] está ajustada a la temperatura correcta.

3. No enfría o calienta bien

● Compruebe que no haya obstrucciones de flujo de aire en la unidad interior y exterior.

● Compruebe si hay demasiadas fuentes de calor en la sala.

● Compruebe si el filtro de aire está atascado con polvo.

● Compruebe si hay puertas o ventanas abiertas.

● Compruebe si la temperatura está en el rango de funcionamiento.

4. Esto no es anormal

● Olores de la unidad interior

Olores desagradables provenientes de la unidad interior tras un largo periodo de tiempo. Limpie el filtro de aire y los paneles o permita que haya una buena ventilación.

● Sale sonido de las piezas deformadas

Al iniciar o detener el sistema, es posible que se escuche un sonido. Sin embargo, esto se debe a la deformación térmica de las piezas de plástico. No es anormal

● Sale vapor del intercambiador de calor exterior

Durante la operación de descongelación, el hielo en el intercambiador de calor exterior se derrite y produce vapor.

● Rocío en el panel de aire

Cuando la operación de enfriamiento continúa por un largo período de tiempo bajo condiciones de alta humedad, puede formarse rocío en el panel de aire, por favor ajuste el aparato a una alta velocidad de ventilador y ajuste las rejillas de ventilación al ángulo máximo.

● Sonido del flujo de refrigerante

Cuando el sistema se está iniciando o deteniendo, es posible que se escuche sonido del flujo de refrigerante.

### 1. Aviso de seguridad

#### ADVERTENCIA

- La instalación debe ser realizada por personal cualificado. (Una instalación inadecuada podría causar fugas de agua, descargas eléctricas o incendios).
- Instale la unidad en conformidad con las instrucciones incluidas en este manual (Una instalación incompleta podría causar fugas de agua, descargas eléctricas o incendios).
- Asegúrese de utilizar las piezas de instalación proporcionadas o especificadas (El uso de otras partes puede causar que la unidad se afloje, filtraciones de agua, descargas eléctricas o incendios).
- Instale el aire acondicionado sobre una base sólida que pueda soportar el peso de la unidad. Una base inadecuada o una instalación incompleta podría causar lesiones si la unidad cayera de la base.
- Los trabajos eléctricos deben realizarse en conformidad con el manual de instalación y las normas locales o nacionales de cableado eléctrico o los códigos de práctica. (Un trabajo eléctrico incompleto o con una capacidad insuficiente podría ocasionar descargas eléctricas o incendios).
- Asegúrese de utilizar un circuito eléctrico dedicado (Nunca utilice un suministro eléctrico compartido con otro aparato).
- Para el cableado, utilice un cable lo suficientemente largo para cubrir la distancia entera. No utilice cables de extensión.
- No coloque otras cargas en el suministro eléctrico, utilice un circuito eléctrico exclusivo.
- Utilice los tipos de cables especificados para realizar las conexiones eléctricas entre las unidades interior y exterior. (sujete con firmeza los cables de conexión para que los terminales no reciban presiones externas).
- Las conexiones o sujeciones incompletas podrían provocar que el terminal se sobrecaliente o se queme.
- Una vez conectados todos los cables, no olvide fijarlos de manera que no ejerzan una fuerza excesiva sobre las cubiertas o los paneles eléctricos. (Instale cubiertas sobre los cables, puede ocurrir sobrecalentamiento del terminal, descargas eléctricas o un incendio si no se instalan completamente los cobertores.).
- Cuando instale o reubique el sistema, no olvide mantener el circuito refrigerante alejado del aire (el aire en el circuito puede ocasionar el aumento anormal de presión o ruptura, causando daños).
- Si hay alguna fuga de refrigerante durante el trabajo de instalación, ventile la sala
- Una vez completada la instalación, compruébela para asegurarse de que no haya fugas de refrigerante (El refrigerante podría producir gases tóxicos si se expone a llamas).
- Al realizar las conexiones de las tuberías, procure que no entre aire ni otras sustancias que no sean el refrigerante especificado dentro del ciclo del refrigerante (De lo contrario puede ocasionar bajo desempeño, presión alta anormal en el ciclo de enfriamiento, explosiones y daños).
- Asegúrese de que la instalación esté correctamente conectada a tierra. No conecte la unidad a tierra a una tubería de servicio, pararrayos o a una conexión a tierra del teléfono. Pueden ocurrir descargas eléctricas por conexiones a tierra incompletas. (Un pico de tensión por un rayo u otras fuentes podría causar daños en el aire acondicionado).
- Dependiendo de las condiciones del lugar, es posible que se requiera un disyuntor de fuga a tierra para evitar descargas eléctricas.
- Desconecte la fuente de alimentación antes de realizar el cableado, la instalación de tuberías o la comprobación de la unidad.
- Cuando traslade la unidad interior o la unidad exterior procure no inclinarlas en más de 45 grados. Preste atención al borde afilado del aire acondicionado para evitar lesiones.
- Durante la instalación del mando a distancia, asegúrese de que la longitud del cable entre la unidad interior y el mando a distancia no supere los 131 pies (40 metros).

#### PRECAUCIÓN

- No instale el acondicionador de aire en un lugar donde haya peligro de exposición a fugas de gas inflamable (si el gas se filtra y se acumula alrededor de la unidad, podría incendiarse).
- Conecte las tuberías de drenaje en conformidad con las instrucciones de este manual Pueden ocurrir inundaciones debido a tuberías inadecuadas.
- Apriete la tuerca cónica según las especificaciones con una llave dinamométrica. (Si la tuerca cónica se aprieta más allá de la tensión especificada, la tuerca cónica puede agrietarse con el paso del tiempo y causar fugas de refrigerante).

## 2. Herramientas e instrumentos para la instalación

| Número | Herramienta                | Número | Herramienta           |
|--------|----------------------------|--------|-----------------------|
| 1      | Destornillador estándar    | 8      | Cuchillo o pelacables |
| 2      | Bomba de vacío             | 9      | Niveladora            |
| 3      | Manguera de carga          | 10     | Martillo              |
| 4      | Doblador de tuberías       | 11     | Taladro rotativo      |
| 5      | Llave inglesa              | 12     | Expansor de tubo      |
| 6      | Cortador de tuberías       | 13     |                       |
| 7      | Destornillador de estrella | 14     | Cinta métrica         |

## 3. Instalación de la unidad interior

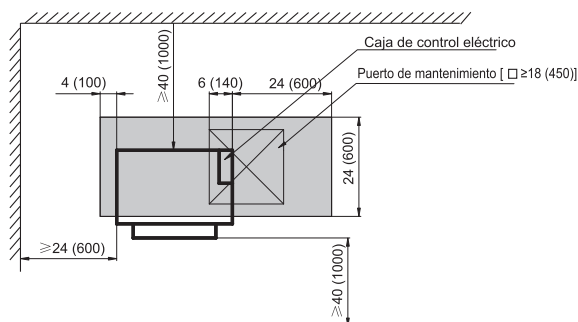


Durante la instalación, no dañe el material aislante de la superficie de la unidad interior.

### 3.1 Comprobación inicial



- Cuando mueva la unidad después de desembalarla, asegúrese de levantarla sujetando sus orejetas de izado. No ejerza presión en las otras piezas, en especial la tubería del refrigerante, la tubería de drenaje o las bridas.
- Utilice equipo de protección para instalar la unidad.



Vista desde arriba

1. Reservar el puerto de mantenimiento necesario cuando el techo no sea desmontable.
2. La ubicación del puerto de mantenimiento debe asegurar que se retire la cubierta del cuadro eléctrico y que los componentes internos sean fáciles de realizar.

9K~18K

Fig. 3.1.1 [unidad: pulg. (mm)].

## Instalación y mantenimiento

### 3.2 Instalación

#### 3.2.1 Pernos de suspensión

- (1) Preste mucha atención a la dirección de la tubería, el cableado y el mantenimiento, y elija la dirección y el sitio apropiados para la instalación.
- (2) Instale los pernos de suspensión como se muestra en la siguiente Fig. 3.2.1.

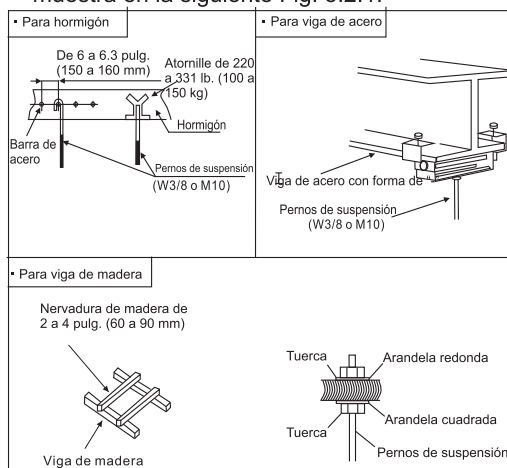
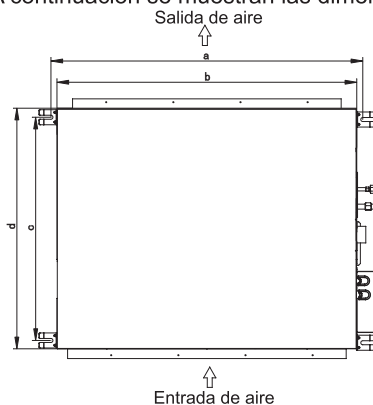


Fig. 3.2.1 Fijación de los pernos de suspensión

#### 3.2.2 The position of the suspension bolts and the pipes

- (1) Marque las posiciones de los pernos de suspensión, las posiciones de las tuberías de refrigerante y las tuberías de drenaje.
- (2) A continuación se muestran las dimensiones.



[Unidad: pulg. (mm)]

| Modelo(Capacidad de enfriamiento) | a                  | b                  | c                 | d               |
|-----------------------------------|--------------------|--------------------|-------------------|-----------------|
| 9K/12K                            | 37-5/6<br>(961)    | 35-62/75<br>(910)  | 14-42/55<br>(375) | 17-3/5<br>(447) |
| 18K                               | 48-13/28<br>(1231) | 46-21/46<br>(1180) | 14-42/55<br>(375) | 17-3/5<br>(447) |

Fig. 3.3 Pernos de suspensión

- Distribución óptima del aire garantizada.
- El paso de aire no está bloqueado.
- El condensado puede drenar apropiadamente.
- El techo es lo bastante fuerte para soportar el peso de la unidad interior.
- El techo falso no parece estar en una pendiente.
- Se dispone de espacio libre suficiente para el mantenimiento y la reparación (véase la Fig. 3.1.1).
- Las tuberías entre las unidades interior y exterior están dentro de los límites permitidos (consulte las instrucciones de instalación de la unidad interior)
- La unidad interior, la unidad exterior, el cableado de alimentación y el cableado de transmisión deben estar a una distancia mínima de 1 metro de los televisores y radios para prevenir interferencia en la imagen y ruido de los aparatos eléctricos (El ruido puede generarse según las condiciones en las que se generan las ondas eléctricas, incluso si se mantiene la separación de un metro).
- No instale la unidad interior en una tienda o cocina con aparatos con vapor de aceite o neblinas que puedan entrar en la unidad interior. El aceite se depositará en el intercambiador térmico, reduciendo así el rendimiento de la unidad interior y podría deformar y en el peor de los casos, romper las piezas de plástico de la unidad interior.
- Utilice pernos de suspensión para instalar la unidad, compruebe si el techo es lo bastante fuerte para soportar el peso de la unidad. Si existiera riesgo de que el techo no fuera lo suficientemente fuerte, refuércelo antes de instalar la unidad.

Para la aspiración inferior, vuelva a colocar la cubierta de la cámara y la brida del lado de aspiración según el procedimiento indicado en las siguientes figuras.

- (1) Retire la brida del lado de admisión y, a continuación, retire la cubierta de la cámara. Consulte las instrucciones en la Fig. 3.1.2.
- (2) Vuelva a colocar la cubierta de la cámara desmontada en la orientación mostrada en la Fig. 3.1.3, vuelva a colocar la brida del lado de admisión desmontada en la orientación mostrada en la Fig. 3.1.3.

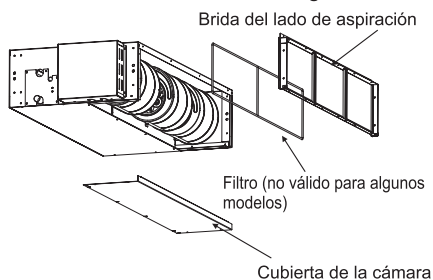


Fig. 3.1.2

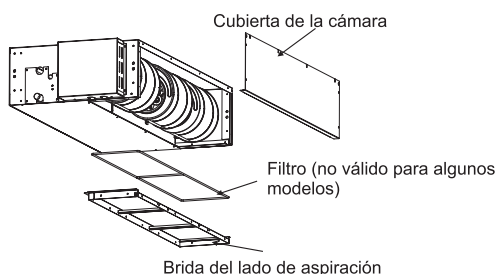


Fig. 3.1.3

## Instalación y mantenimiento

### 3.2.3 Instalar la unidad interior

La instalación de la unidad interior se muestra en la Fig. 3.4.

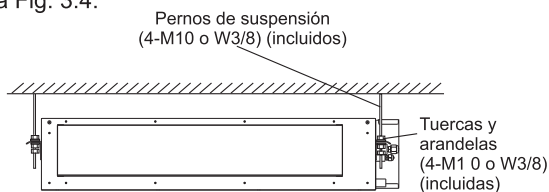


Fig. 3.4 Instalación de la unidad interior

- (1) Cómo fijar los pernos de suspensión y las tuercas Como se muestra en las figuras 3.5, las tuercas son cuatro pernos fijos.

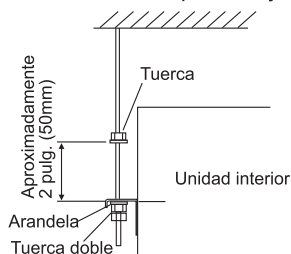


Fig. 3.5 Pernos de suspensión y tuercas

- (2) Instalar la unidad interior

- Como se muestra en la figura siguiente, coloque el soporte de gancho izquierdo en las tuercas y arandelas de los pernos de suspensión.
- Asegúrese de que el soporte de gancho izquierdo esté fijado de forma segura en las tuercas y arandelas, e instale el gancho de suspensión del soporte de gancho derecho en las tuercas y arandelas (cuando instale la unidad interior, puede retirar ligeramente los pernos de suspensión).

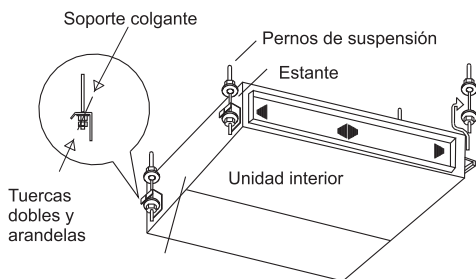


Fig. 3.6

### 3.2.4 Ajuste del nivel de la unidad

- (1) Compruebe que la base sea plana, teniendo en cuenta la pendiente máxima de la base.
- (2) La unidad debe instalarse de manera que el lado de drenaje sea ligeramente [0~ 0,2 pulg. (0~ 5mm)] más bajo que otros lados para un drenaje adecuado.

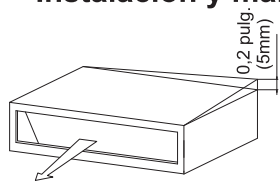


Fig. 3.7

- (3) Después del ajuste, apriete las tuercas y fije la tuerca de rosca en la suspensión para evitar que las tuercas se aflojen.

#### ⚠ PRECAUCIÓN

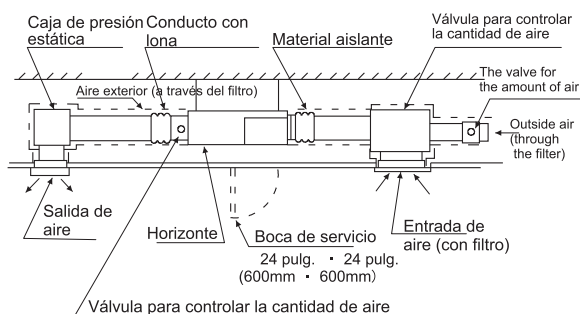
- (1) Durante la instalación, cubra la unidad con una tela de plástico para mantenerla limpia.
- (2) Asegúrese de que la unidad esté nivelada utilizando un nivelador o un tubo de plástico lleno de agua en lugar de un nivel, ajuste la superficie superior de la unidad a la superficie del agua en ambos extremos del tubo de plástico y ajuste la unidad horizontalmente (una cosa a tener en cuenta en particular es si está instalada de tal manera que la pendiente no esté en la dirección de la tubería de drenaje, ya que esto podría causar fugas).

### 3.2.5 Instalación del conducto

#### ⚠ PRECAUCIÓN

- Asegúrese de que la presión estática externa de la unidad esté dentro del rango.
- Conecte el conducto y el reborde del lado de entrada.
- Conecte el conducto y el reborde del lado de salida.
- La conexión de la unidad interior y el conducto de aire debe estar bien sellada y mantenerse caliente con material aislante.

#### <Ejemplo>



### 4. Tubería de refrigerante

**⚠ PELIGRO**

Utilice el refrigerante según las indicaciones del exterior. Al llevar a cabo el control y la prueba de fugas, no mezcle el oxígeno, el acetileno, el gas inflamable y el gas virulento, ya que estos gases son bastante peligrosos y pueden provocar una explosión. Se sugiere que se utilice el nitrógeno para realizar estos experimentos.

#### 4.1 Material de la tubería

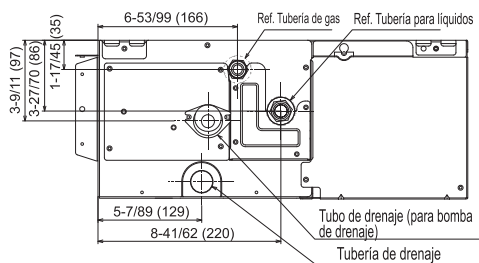
- (1) Prepare la tubería de cobre al momento.
- (2) Elija una tubería de cobre limpia, sin polvo ni humedad.

Antes de instalar la tubería, utilice nitrógeno o aire seco para expulsar la suciedad y las impurezas de la tubería.

- (3) Elija una tubería de cobre en conformidad con la Fig. 4.2.

#### 4.2 Conexión de la tubería

- (1) En las Fig. 4.1 y Fig. 4.2 se muestran las posiciones de conexión de la tubería.



9K~18K

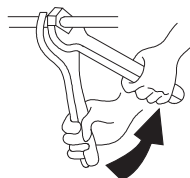
Unidad: pulg. (mm)

Fig. 4.1 Las posiciones de conexión de la tubería

| Modelo(Btu/h) | Tubería de gas [pulg. (mm)] | Tubería de líquido [pulg. (mm)] |
|---------------|-----------------------------|---------------------------------|
| 9K~12K        | ø 3/8 (9.52)                | ø 1/4 (6.35)                    |
| 18K           | ø 1/2 (12.7)                | ø 1/4 (6.35)                    |

Fig. 4.2 Diámetro de la tubería

- (2) Atornille las tuercas con 2 llaves como se muestra en la Fig. 4.3.



| Tamaño del tubo [pulg. (mm)] | Apriete [lbf-ft. (N·m.)] |
|------------------------------|--------------------------|
| ø 1/4 (6.35)                 | 14.8 (20)                |
| ø 3/8 (9.52)                 | 29.5 (40)                |
| ø 1/2 (12.7)                 | 44.3 (60)                |
| ø 5/8 (15.88)                | 59.0 (80)                |
| ø 3/4 (19.05)                | 73.8 (100)               |

Fig. 4.3 Par de torsión de la tuerca

- (3) Después de terminar de conectar las tuberías de refrigerante, manténgalas calientes con el material aislante.

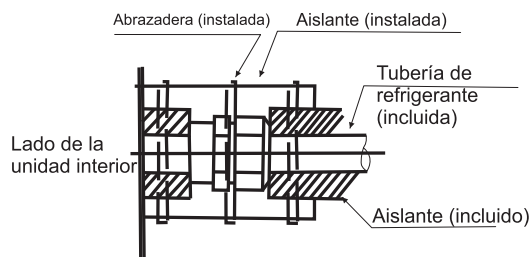
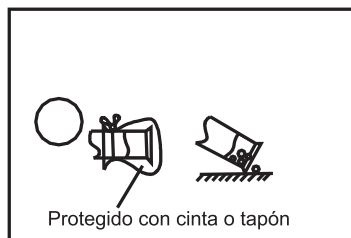


Fig. 4.4 Procedimiento de aislamiento de tuberías

**⚠ PRECAUCIÓN**

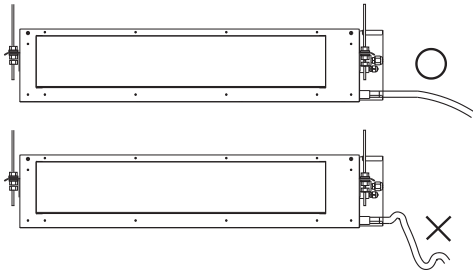
- La tubería pasa por el orificio con el sello.
- No coloque las tuberías directamente en el suelo.



### 5. Tubería de drenaje

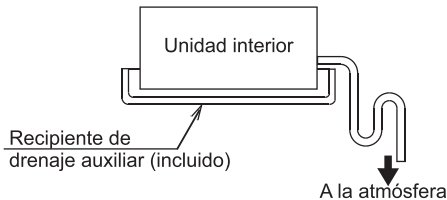
Instale las tuberías de drenaje

- Asegúrese de que el drenaje funcione correctamente.
- Prepare un tubo de cloruro de polivinilo con un espesor de 1,3 pulg. (32 mm) de diámetro exterior.
- El diámetro del orificio de conexión con la tubería de drenaje debe ser igual que el de la tubería de drenaje.
- Acorte la tubería de drenaje y manténgala inclinada con una pendiente del 1% para evitar que se formen bolsas de aire.



#### NOTA

Cuando la humedad relativa del aire de entrada o ambiental supere el 80%, coloque un recipiente de drenaje auxiliar (incluido) bajo la unidad interior como se muestra a continuación.

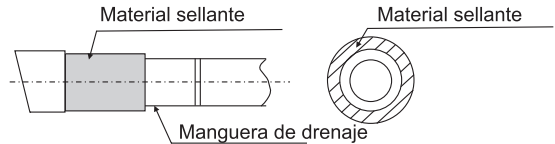


#### PRECAUCIÓN

La acumulación de agua en la tubería de drenaje puede provocar que se atasque.

- Para evitar que el tubo de drenaje se afloje, separe los cables colgantes cada 3,3 pies (1 m) a 5,0 pies (1,5 m)
- Utilice la manguera de drenaje y la abrazadera. Inserte completamente la manguera de drenaje en la toma de drenaje y apriete con firmeza la tubería de drenaje y el material térmico con la abrazadera.
- Las dos áreas inferiores deben estar aisladas ya que podría formarse condensación provocando fugas de agua.

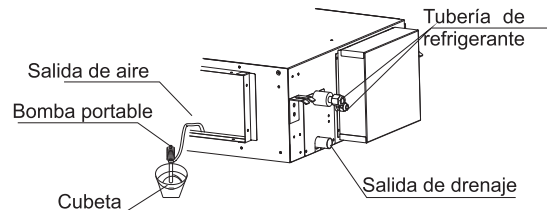
- Tuberías de drenaje interiores
- Tomas de drenaje.
- Consulte la figura debajo, aisle la toma de drenaje y la manguera de drenaje usando la almohadilla de fijación grande incluida.



#### PRECAUCIÓN

Conexiones de la tubería de drenaje

- No conecte los tubos de drenaje directamente a los tubos de desagüe para evitar el olor a amoníaco. El amoníaco de las alcantarillas podría entrar en la unidad interior a través de las tuberías de drenaje y corroer el intercambiador de calor.
- No tuerza ni doble la manguera de drenaje, ya que de lo contrario se aplica una fuerza excesiva sobre ella y también puede provocar fugas.
- Una vez terminados los trabajos en las tuberías, compruebe que el drenaje fluya sin problemas.
- Vierta gradualmente aproximadamente 1000 cc de agua del orificio de salida en la bandeja de drenaje para verificar el flujo de drenaje.
- Compruebe el drenaje como se muestra a continuación:



## 6. Cableado eléctrico

### 6.1 Revisión general



- Al sujetar el cableado, utilice el material de fijación incluido para evitar que se ejerza presión externa sobre las conexiones de cableado y sujete firmemente.
- Al realizar los trabajos de cableado, asegúrese de que el cableado sea correcto y no provoque que la cubierta de la caja de control se atasque y, a continuación, cierre la cubierta con firmeza. Cuando coloque la cubierta de control, asegúrese de no pinzar ningún cable.
- Fuera de la unidad interior y de la unidad exterior, separe el cableado débil (cableado del mando a distancia y de la transmisión) y el cableado fuerte (cableado de tierra y de la fuente de alimentación) al menos 2 pulg. (50 mm) para que no pasen por el mismo lugar juntos. La proximidad puede causar un mal funcionamiento y rotura por interferencia eléctrica.



- Si los fusibles se queman, llame al servicio técnico autorizado. Por favor, no lo reemplace usted mismo, ya que podría resultar en un accidente o una descarga eléctrica.
- (1) Retire los tornillos y la cubierta de la caja eléctrica como se muestra en la Fig. 6.1.
  - (2) Pase el cable de conexión y el cable del controlador por los dos orificios del panel de conductos.
  - (3) Fije la conexión del conducto al panel del conducto con la contratuerca.
  - (4) Conecte el cable de conexión y el cable del controlador al terminal.
  - (5) Ate el cable en la caja eléctrica con la abrazadera firmemente.
  - (6) Después de completar el cableado, selle el orificio del cableado con el material de sellado (con la tapa) para evitar que la condensación y los insectos entren en la caja de control.
  - (7) Vuelva a colocar la cubierta de la caja eléctrica después de terminar el trabajo.

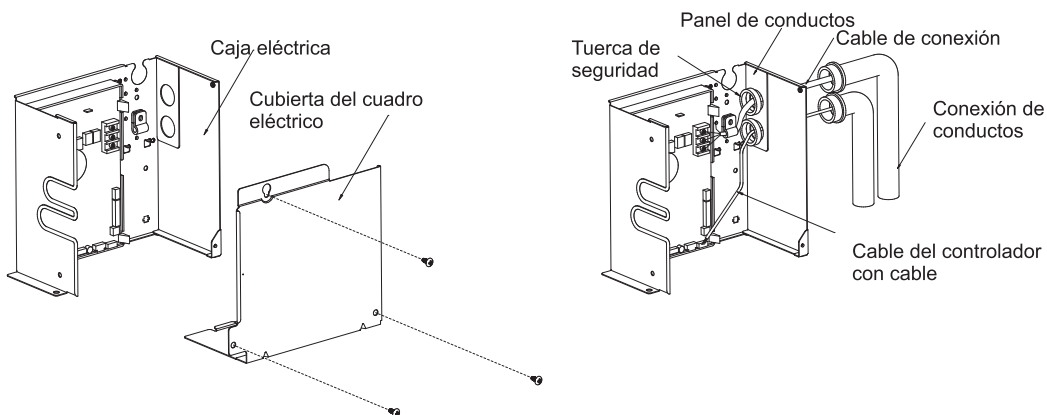
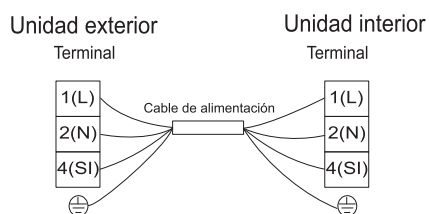


Fig.6.1

### Diagrama de cableado eléctrico



### 6.2 Cambio de presión estática

La presión estática puede ajustarse libremente con un mando a distancia con cable específico.

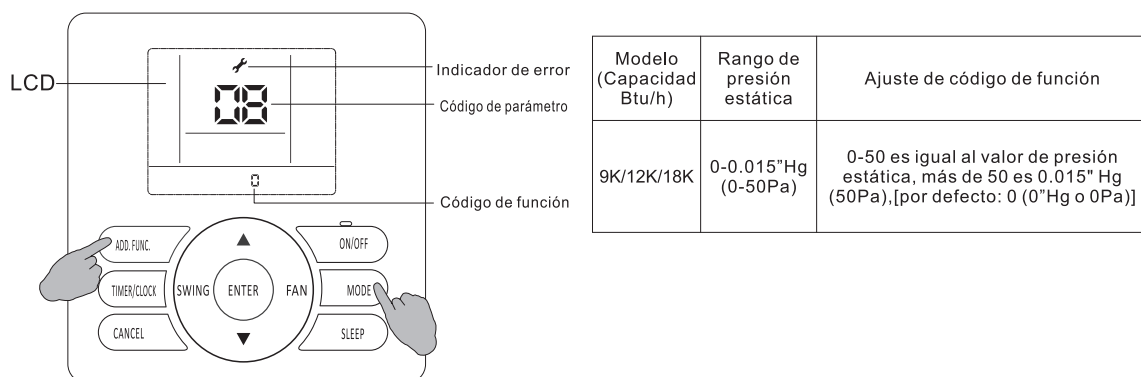


Fig 6.2

#### Ajuste de presión estática

1. Mantenga pulsados los botones MODO [MODE] y AGREGAR [ADD]. FUNC.IN durante 3 segundos, el símbolo y el código de parámetro parpadeando al mismo tiempo.
2. Pulse el botón "▲/▼" para ajustar el número de parámetro hasta la pantalla "17", y pulse el botón ENTRAR [ENTER] para entrar en el estado de adaptación de parámetros del sistema; el símbolo deja de parpadear.
3. Seleccione el código de parámetro deseado 10 pulsando el botón "▲/▼", y pulse el botón ENTRAR [ENTER] para confirmar.
4. Seleccione el código de función deseado para reescribir los valores de los parámetros pulsando el botón "▲/▼" y pulse el botón ENTRAR [ENTER] para confirmar.
5. Pulse el botón de encendido/apagado o el botón CANCELAR [CANCEL] para salir.

Si todavía tiene problemas, póngase en contacto con el centro de servicio técnico local de nuestra empresa para solicitar más información.

### 6.3 Instalación eléctrica



- Utilice un disyuntor de fugas eléctricas. Si no lo utiliza, podría causar descargas eléctricas o incendios.
  - No opere el sistema hasta que haya comprobado todos los puntos de verificación.
- (A) Asegúrese de que la resistencia del aislamiento sea superior a  $2M\Omega$  midiendo la resistencia entre tierra y la terminal de las piezas eléctricas. Si no, no utilice el sistema hasta encontrar y reparar la fuga eléctrica.
- (B) Asegúrese de que las válvulas de cierre de la unidad exterior estén completamente abiertas y, a continuación, inicie el sistema.
- **Preste atención a los siguientes puntos mientras funcione el sistema.**
- (A) No toque ninguna pieza con la mano en el lado del gas de descarga, ya que la cámara compresora y las tuberías del lado de descarga están calientes por encima de  $194^{\circ}F(90^{\circ}C)$ .
- (B) **NO PRESIONE EL BOTÓN DEL INTERRUPTOR MAGNÉTICO (ES).** Esto causará graves accidentes.

| Capacidad del modelo<br>(Btu/h) | Tamaño del cable de transmisión |
|---------------------------------|---------------------------------|
| 9K~18K                          | $4 \times 14AWG$                |

Nota:

- (1) Siga los códigos y reglas locales para seleccionar los cables. Todos los anteriores son del tamaño de cable mínimo.
- (2) Utilice cables de cobre.
- (3) Cuando la longitud del cable de transmisión es superior a 49-1/5 pies (15 m), se debe seleccionar un tamaño de cable mayor.
- (4) Instale el interruptor principal y el ELB para cada sistema por separado. Seleccione el tipo de respuesta alta ELB que se ejecuta en el interior. 0,1 segundo. Capacidad recomendada para ver la capacidad del interruptor de la máquina en exteriores.

<Atención al conectar el cableado de la fuente de alimentación >

1. Cuando conecte el bloque de terminales usando cable trenzado, asegúrese de usar el terminal redondo tipo engastado para la conexión al bloque de terminales de la fuente de alimentación. Coloque los conectores crimp redondos en los cables hasta la parte cubierta y fíjelos.
2. Al conectar el bloque terminal con un cable unipolar, asegúrese de fraguarlo.

## 7. Ejecución de prueba

Realice una prueba de funcionamiento de acuerdo con el manual de instalación de la unidad exterior.



**FRIEDRICH**

1883

# Installation Manual

## DUCTLESS SPLIT SYSTEMS



Manual for the following models:

FPHFD09A3A - Multi zone

FPHFD12A3A - Multi zone

FPHFD18A3A - Multi zone



FRANÇAIS

THE EXPERTS IN ROOM AIR CONDITIONING

|                                  |   |
|----------------------------------|---|
| Consignes de précaution .....    | 1 |
| Composition du climatiseur ..... | 3 |




### **Avant la mise en marche**

|                           |   |
|---------------------------|---|
| Remarques spéciales ..... | 4 |
| Dépannage .....           | 4 |

### **Installation et entretien**

|   |    |
|---|----|
| 1. Avis de sécurité .....                     | 5  |
| 2. Outils et instruments d'installation ..... | 6  |
| 3. L'installation de l'unité intérieure ..... | 6  |
| 3.1 La vérification initiale .....            | 6  |
| 3.2 Installation .....                        | 7  |
| 4. Tuyau du réfrigérant .....                 | 9  |
| 4.1 Le matériel du tuyau .....                | 9  |
| 4.2 La connexion du tuyau .....               | 9  |
| 5. Tuyauterie de vidange .....                | 10 |
| 6. Câblage électrique .....                   | 11 |
| 6.1 Vérifications générales .....             | 11 |
| 6.2 Changement de la pression statique .....  | 12 |
| 6.3 Installations électriques .....           | 13 |
| 7. Essais de fonctionnement .....             | 13 |

### Symboles d'alerte

-  **DANGER** : Le symbole fait référence à un danger pouvant entraîner des blessures graves ou la mort.
-  **ATTENTION** : Le symbole fait référence à un danger ou à une pratique dangereuse qui pourrait entraîner des blessures graves ou la mort.
-  **MISE EN GARDE** : Le symbole fait référence à un danger ou à une pratique dangereuse pouvant entraîner des blessures, des dégâts matériels du produit ou d'une propriété.
- REMARQUE** : Il fait référence aux remarques et instructions sur le fonctionnement, l'entretien et la maintenance du climatiseur.

- Ce climatiseur devrait être installé correctement par du personnel qualifié conformément aux instructions d'installation fournies avec l'unité.
- Avant l'installation, vérifiez si la tension de l'alimentation électrique sur le site d'installation est la même que la tension indiquée sur la plaque signalétique.

 **DANGER**

- Vous ne devez effectuer aucune transformation de ce produit, sinon, cela peut provoquer des fuites, des pannes, des courts-circuits, des chocs électriques, des incendies, et ainsi de suite.
- Les travaux de tuyauterie, de soudage et les autres travaux similaires devraient être effectués à l'écart des récipients contenant des matériaux explosifs et inflammables, y compris le réfrigérant du climatiseur, pour garantir la sécurité sur le site.
- Pour protéger le climatiseur de la forte corrosion, évitez d'installer l'unité extérieure à un endroit où de l'eau de mer peut éclabousser directement ou dans l'air sulfureux près d'un spa. N'installez pas le climatiseur dans un endroit où des objets générateurs de chaleur trop élevée sont placés.

 **ATTENTION**

- Si le cordon d'alimentation est endommagé, il doit être remplacé par le fabricant ou son service après-vente en cas de danger.
- L'endroit où ce produit est installé doit avoir un équipement de mise à la terre fiable et une protection. Veuillez à ne pas raccorder la mise à la terre de ce produit à divers types de conduits d'alimentation en air, tuyaux de vidange, des parafoudres et autres tuyauteries pour éviter les chocs électriques et des dommages causés par d'autres facteurs.
- Le câblage doit être effectué par un électricien qualifié. Tout le câblage doit être conforme aux codes électriques locaux.
- Prenez en compte la capacité du courant électrique de votre compteur électrique et de votre prise avant l'installation.
- Le fil d'alimentation où ce produit est installé est censé avoir un dispositif de protection contre des fuites indépendant et un dispositif de protection contre les surcharges de courant électrique qui sont fournis pour ce produit.
- Cet appareil électrique peut être utilisé par des enfants âgés de 8 ans et plus et des personnes avec des capacités physiques, sensorielles ou mentales réduites, ou ayant un manque d'expérience et de connaissances à condition qu'elles soient supervisées ou guidées concernant l'utilisation de l'appareil électrique de manière sûre et comprennent les risques encourus. Les enfants ne devraient pas jouer avec l'appareil électrique. Le nettoyage et l'entretien utilisateur ne devraient pas être effectués par des enfants sans supervision.
- Les moyens de déconnexion, qui peuvent assurer une déconnexion complète de tous les pôles, doivent être incorporés dans le câblage fixe conformément aux règles de câblage.

- **Lisez attentivement ce manuel avant d'utiliser ce climatiseur.**  
**Si vous avez encore des difficultés ou des problèmes, consultez votre fournisseur pour de l'assistance.**
- **Le climatiseur est conçu pour vous fournir des conditions climatiques confortables dans votre pièce.**  
**Utilisez cet appareil uniquement pour les utilisations prévues, comme décrites dans ce manuel.**

## Consignes de précaution

### ATTENTION

- Ne jamais utiliser d'essence ou d'autres gaz inflammables près du climatiseur. C'est très dangereux.
- Lorsque le fonctionnement du climatiseur présente des anomalies, telles que la présence d'odeur de brûlé, de déformation, de feu, de fumée, et ainsi de suite, il est interdit de continuer à utiliser le climatiseur, le commutateur d'alimentation principale du climatiseur doit être mis à l'arrêt immédiatement et un agent doit être contacté.

### MISE EN GARDE

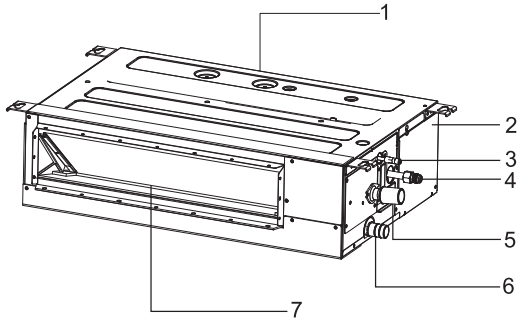
- Ne jamais allumer ou éteindre le climatiseur à partir de l'interrupteur principal. Utilisez le bouton d'opération ON/OFF.
- Ne rien coller sur l'entrée ou la sortie d'air des unités intérieure et extérieure. Ceci est dangereux, car le ventilateur tourne à grande vitesse.
- Ne pas refroidir ou chauffer la pièce si des nourrissons ou des invalides sont présents.
- Des détails du type et de la valeur nominale des disjoncteurs/ELB sont donnés dans le manuel d'instruction de l'unité extérieure.
- La méthode de connexion de l'appareil électrique à l'alimentation électrique et l'interconnexion de composants séparés sont détaillées dans la partie ci-dessous.
- Le schéma de câblage avec une indication claire des connexions et du câblage aux appareils externes et au cordon d'alimentation sont détaillés dans la partie ci-dessous. Le cordon de type H07RN-F ou d'un type équivalent électriquement doivent être utilisés pour la connexion d'alimentation et l'interconnexion entre l'unité extérieure et l'unité intérieure. La taille du cordon est détaillée dans les parties ci-dessous.
- Les informations sur les dimensions d'espace nécessaire pour une installation correcte de l'appareil électrique y compris les distances permissibles minimales aux structures adjacentes sont détaillées dans les parties ci-dessous.
- La gamme de pressions statiques externes pour les appareils électriques gainés est détaillée dans les parties ci-dessous.
- L'unité intérieure peut uniquement alimenter de l'air pour une pièce, il n'est pas autorisé d'alimenter de l'air pour plusieurs pièces.

### REMARQUE:

- Condition de stockage : **Température-13~140°F (-25~60°C)**  
**Humidité 30%~80%**

### Unité intérieure

9K~18K



1. Entrée d'air
2. Boitier électrique
3. Tuyau réfrigérant (liquide)
4. Tuyau réfrigérant (gaz)
5. Tuyau de drain  
(se connecte à la pompe)
6. Tuyau de vidange
7. Sortie d'air

### Télécommande (optionnel)

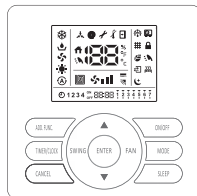
Vous pouvez contrôler le climatiseur en utilisant soit la télécommande à fil ou la télécommande sans fil. C'est utilisé pour contrôler l'alimentation ON/OFF, régler le mode de fonctionnement, la température, la vitesse du ventilateur et d'autres fonctions.

Il existe différents types de télécommandes qui peuvent fonctionner avec le climatiseur.

Les instructions d'utilisation seront davantage détaillées dans le manuel de la télécommande.

Veuillez le lire attentivement avant d'utiliser cet appareil et conservez-le pour référence ultérieure.

#### Télécommande filaire



#### Télécommande sans fil



**Remarque :** Les chiffres dans ce manuel sont basés sur les vues externes d'un modèle standard. Par conséquent, la forme peut être différente que celle du climatiseur que vous avez sélectionné.

### Remarques spéciales

- Protection de 3 minutes après l'arrêt du compresseur  
Pour protéger le compresseur, il continuera d'être éteint pendant au moins 3 minutes, une fois qu'il est arrêté.
- Protection de 5 minutes  
Le compresseur doit fonctionner pendant au moins 5 minutes une fois opérationnel.  
Au cours des 5 minutes, le compresseur ne s'arrêtera pas même si la température ambiante atteint la température de réglage, sauf si vous utilisez une télécommande pour éteindre l'appareil (toute unité intérieure peut être éteinte par l'utilisateur).
- Fonction de refroidissement  
Le ventilateur de l'unité intérieure ne s'arrêtera jamais de fonctionner en fonctionnement de refroidissement. Il continue à fonctionner même si le compresseur s'arrête de fonctionner.
- Fonction de chauffage  
La capacité de chauffage dépend de facteurs externes comme la température de l'unité extérieure.  
La capacité de chauffage peut diminuer si la température ambiante extérieure est trop faible.
- Fonction antigel pendant le refroidissement  
Lorsque la température de l'air provenant de la sortie d'air de l'unité intérieure est trop faible, l'appareil fonctionnera pendant un certain temps en mode ventilateur, pour éviter la formation du givre ou de la glace dans l'échangeur.
- Prévention de l'air froid  
Plusieurs minutes après que le mode chauffage ait démarré, le ventilateur de l'unité intérieur ne fonctionnera plus jusqu'à ce que l'échangeur de chaleur de l'unité intérieure atteigne une certaine température afin d'éviter un courant d'air froid.
- Dégivrage  
Lorsque la température extérieure est trop basse, du givre ou de la glace peuvent se former dans l'échangeur thermique extérieur, réduisant ainsi les performances de chauffage.  
Lorsque cela se produit, le système de dégivrage du climatiseur se mettra en marche. En même temps, le ventilateur de l'unité intérieure s'arrête (ou tourne à une vitesse très basse dans certains cas), afin d'éviter un courant d'air froid. Après le dégivrage l'opération de chauffage et la vitesse du ventilateur redémarrent.
- Soufflage de l'air de chaud restant  
Lors de l'arrêt du climatiseur en fonctionnement normal, le moteur du ventilateur fonctionnera à faible vitesse pendant un moment pour souffler l'air chaud résiduel.
- Redémarrage automatique après coupure de courant  
Lorsque l'alimentation est rétablie après une coupure de courant, tous les pré-réglages sont toujours activés et le climatiseur fonctionnera avec le réglage précédent.

### Dépannage



Si le problème persiste même après avoir vérifié les éléments suivants, contactez votre distributeur et informez-les du problème conformément au réglage initial.

1. Si le problème persiste.
  - (1) Nom du modèle de l'unité
  - (2) Description du problème rencontré
2. L'unité ne fonctionne pasVérifiez si SET TEMP (REGTEMP) est réglé à la bonne température.
3. Ne refroidit ou ne chauffe pas suffisamment
  - Vérifiez s'il y a une obstruction du flux d'air dans les unités intérieures et extérieures.
  - Vérifiez s'il y a plusieurs sources de chaleur dans la pièce.
  - Vérifiez si le filtre à air est obstrué par de la poussière.
  - Vérifiez si les portes ou les fenêtres sont ouvertes ou non.
  - Vérifiez si les conditions de température ne sont pas dans la plage de fonctionnement.
4. Ce n'est pas Anormal
  - Odeur de l'unité intérieure  
Une odeur déplaisante se diffuse depuis l'unité intérieure après une longue période de temps. Nettoyez le filtre à air et les panneaux ou assurez une bonne ventilation.
  - Des vibrations des pièces déformantes  
Pendant le démarrage ou l'arrêt du système, un son peut être entendu. Cependant, cela est dû à la déformation thermique des pièces en plastique. Ce n'est pas anormal.
  - La vapeur sort de l'échangeur thermique extérieur  
Pendant le fonctionnement en dégivrage, de la glace fond sur l'échangeur de chaleur extérieur, créant ainsi de la vapeur.
  - De la rosée sur le panneau de régulation d'air  
Lorsque l'opération de refroidissement continue pendant une période prolongée dans des conditions d'humidité élevée, de la rosée peut se former sur le panneau de régulation d'air, veuillez régler l'appareil à une vitesse élevée de ventilateur et ajustez les persiennes à l'angle maximal.
  - Son de la circulation du réfrigérant  
Pendant le démarrage ou l'arrêt du système, le son provenant de la circulation du réfrigérant peut être entendu.

### 1. Avis de sécurité



- L'installation devrait être effectuée par du personnel qualifié. (Une installation incorrecte peut provoquer une fuite d'eau, un choc électrique ou un incendie.)
- Installez l'unité selon les instructions fournies dans ce manuel. (Une installation incomplète peut provoquer une fuite d'eau, un choc électrique ou un incendie.)
- Veillez à utiliser les pièces d'installation fournies ou spécifiées. (Utiliser d'autres pièces peut provoquer le desserrage de l'unité, des fuites d'eaux, un choc électrique ou un incendie)
- Installez le climatiseur sur une base solide qui puisse supporter le poids de l'unité. (Une base inadéquate ou une installation incomplète peuvent provoquer des blessures si l'unité tombe de la base).
- Les travaux électriques doivent être effectués conformément au manuel d'installation et aux règles de câblage électrique locales. (Une capacité insuffisante ou un travail électrique incomplet peut causer un choc électrique ou un incendie).
- Assurez-vous d'utiliser un circuit d'alimentation dédié. (N'utilisez jamais une alimentation partagée par un autre appareil).
- Pour le câblage, utilisez un câble assez long pour couvrir toute la distance. N'utilisez pas de rallonge.
- Ne placez pas d'autres charges sur l'alimentation électrique, utilisez un circuit d'alimentation dédié.
- Utilisez les types de fils spécifiés pour les connexions électriques entre les unités intérieure et extérieure. (Serrez fermement les fils d'interconnexion afin que leurs bornes ne reçoivent aucune contrainte externe.)
- Des connexions incomplètes ou un serrage mal fait peut provoquer une surchauffe ou un incendie.
- Après avoir connecté tous les câbles, assurez-vous de fixer les câbles afin qu'ils n'exercent pas de force induite sur les couvertures ou panneaux électriques. (Installez les couvercles sur les fils, l'installation incomplète du couvercle peut provoquer une surchauffe des bornes, un choc électrique ou un incendie).
- Lors de l'installation ou de la relocalisation du système, assurez-vous de conserver le circuit réfrigérant exempt d'air (de l'air dans le circuit réfrigérant peut causer une augmentation anormale de la pression ou une rupture, conduisant à des blessures).
- Si du réfrigérant s'est échappé pendant les travaux d'installation, aérer la pièce.
- Une fois que toute installation est terminée, assurez-vous que le réfrigérant ne fuit pas. (Le réfrigérant produit un gaz toxique s'il est exposé à des flammes).
- Lorsque vous effectuez la connexion de la tuyauterie, veillez à ne pas laisser entrer des substances d'air autres que le réfrigérant spécifié dans le circuit de réfrigération. (Sinon, cela causera une performance réduite, une pression élevée anormale dans le cycle de réfrigération, une explosion et une blessure).
- Assurez-vous que l'installation est correctement mise à la terre. Ne mettez pas à la terre sur un tuyau d'utilité publique, un parafoudre, ou un câble de terre de téléphone. Une mise à terre incomplète peut provoquer un choc électrique. (Un courant de choc élevé provenant de la foudre ou d'autres sources peut endommager le climatiseur).
- Un disjoncteur à fuite de terre peut être nécessaire selon les conditions du site pour empêcher un choc électrique.
- Déconnectez l'alimentation électrique avant le câblage, la disposition des tuyaux, ou la vérification de l'unité.
- Lorsque vous déplacez l'unité intérieure et l'unité extérieure, veillez à ne pas incliner l'unité extérieure de plus de 45 degrés. Faites attention au bord tranchant du climatiseur pour éviter des blessures.
- Pendant l'installation du contrôleur à distance, assurez-vous que la longueur de fil entre l'unité intérieure et le contrôleur à distance est inférieure à 131 pieds (40 m).



- N'installez pas le climatiseur à un endroit où il y a un danger d'exposition à une fuite de gaz inflammable (si le gaz fuit dans le bâtiment et s'accumule autour de l'unité, un incendie peut se déclencher.)
- Installez la tuyauterie d'évacuation conformément aux instructions de ce manuel. (Une tuyauterie inadéquate peut causer une inondation).
- Serrez l'écrou évasé conformément aux spécifications avec une clé dynamométrique. (Si l'écrou évasé est serré au-delà du couple spécifié, l'écrou évasé peut se fissurer après une longue période et provoquer une fuite du réfrigérant).

## 2. Outils et instruments d'installation

| Nombre | Outil                       | Nombre | Outil                       |
|--------|-----------------------------|--------|-----------------------------|
| 1      | Tournevis standard          | 8      | Couteau ou découpant de fil |
| 2      | Pompe à vide                | 9      | Niveleur                    |
| 3      | Tuyau de charge             | 10     | Marteau                     |
| 4      | Cintreuse de tuyau          | 11     | Sonde percutante            |
| 5      | Clé à molette               | 12     | Détendeur à tube            |
| 6      | Coupe-tuyau                 | 13     |                             |
| 7      | Tournevis à tête cruciforme | 14     | Ruban à mesurer             |

## 3. L'installation de l'unité intérieure

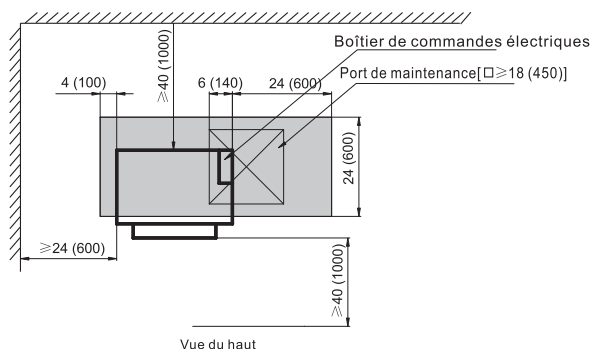


Pendant l'installation, veillez à ne pas endommager le matériau isolant sur la surface de l'unité intérieure.

### 3.1 La vérification initiale



- Lors du déplacement de l'unité après le déballage, assurez-vous de la soulever en maintenant ses pattes de levage. N'exercez aucune pression sur les autres pièces, en particulier la tuyauterie de réfrigérant, la tuyauterie de vidange et les pièces de la bride.
- Portez des équipements de protection lors de l'installation de l'unité.



1. Réservez un port de maintenance comme nécessaire quand le plafond n'est pas amovible.
2. L'emplacement du port de maintenance devrait garantir que le retrait des couvertures de boîtiers électriques et de composants internes est facile à effectuer.

**9K~18K**

Fig. 3.1.1 [unité : po. (mm)]

## Installation et entretien

- Une répartition optimale de l'air est assurée.
- Le passage à air n'est pas bloqué.
- Le condensat peut se drainer correctement.
- Le plafond est assez résistant pour supporter le poids de l'unité intérieure.
- Un sous plafond ne semble pas être incliné.
- Un espace suffisant pour la maintenance et l'entretien est garanti. (Voir Fig.3.1.1)
- La tuyauterie entre les unités intérieure et extérieure est dans les limites permises (se référer à l'installation de l'unité extérieure)
- L'unité intérieure, l'unité extérieure, le câblage d'alimentation électrique et le câblage de transmission doivent être conservés à une distance minimale de 1 mètre des télévisions et des radios, pour empêcher des interférences de l'image et du bruit dans les appareils électriques. (Du bruit peut être généré en fonction des conditions dans lesquelles l'onde électrique est générée, même si un espacement d'un mètre est maintenu).
- N'installez pas l'unité intérieure dans un atelier de machinerie ou une cuisine où la vapeur d'huile ou son brouillard se dirige vers l'unité intérieure. L'huile se dépose sur l'échangeur de chaleur, ce qui réduit les performances de l'unité intérieure, ce qui peut entraîner une déformation et, dans le pire des cas, casser les pièces en plastique de l'unité intérieure.
- Utilisez des boulons de suspension pour installer l'unité, vérifiez si le plafond est suffisamment résistant pour supporter le poids de l'unité. S'il y a un risque que le plafond ne soit pas assez résistant, renforcez le plafond avant d'installer l'unité.

Pour l'admission d'air vers le bas, remplacez le couvercle de la chambre et l'écrou du côté apport d'air dans la procédure décrite dans les figures ci-dessous.

- (1) Retirez la bride du côté admission, puis retirez le couvercle de l'armoire. Reportez-vous à la Fig. 3.1.2 pour les instructions.
- (2) Remettez le couvercle de la chambre retirée sur l'illustration de la Fig. 3.1.3, remettez en place la bride du côté de l'admission dans l'orientation illustrée à la Fig. 3.1.3.

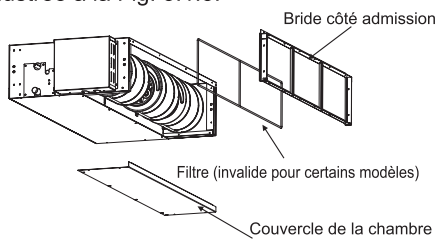


Fig. 3.1.2

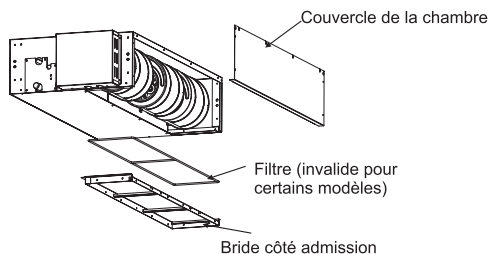


Fig. 3.1.3

### 3.2 Installation

#### 3.2.1 Boulons de suspension

- (1) Prenez soigneusement en compte la direction du tuyau, le câblage et l'entretien, et choisissez la direction et l'emplacement corrects pour l'installation.
- (2) Installez les boulons de suspension comme indiqué sur la Fig. 3.2.1 ci-dessous.

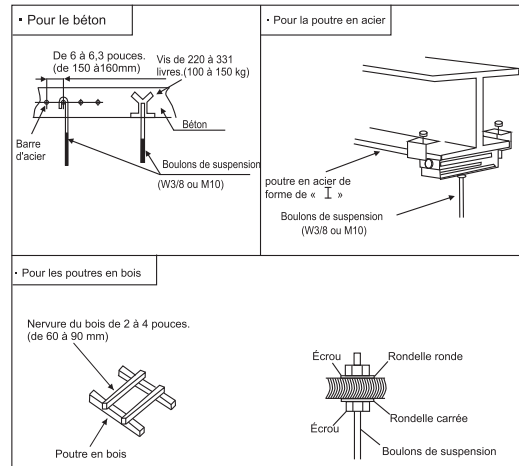
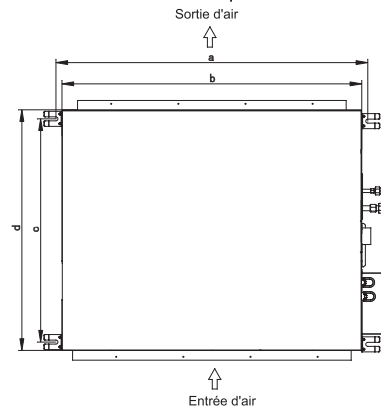


Fig. 3.2.1 Fixation des boulons de suspension

#### 3.2.2 La position des boulons de suspension et des tuyaux

- (1) Marquez les positions des boulons de suspension, les positions des tuyaux de réfrigérant et des tuyaux de vidange.
- (2) Les dimensions sont indiquées ci-dessous.



[Unité: po. (mm)]

| Modèle<br>(Capacité de refroidissement) | a                  | b                  | c                 | d               |
|---|--------------------|--------------------|-------------------|-----------------|
| 9K/12K                                  | 37-5/6<br>(961)    | 35-62/75<br>(910)  | 14-42/55<br>(375) | 17-3/5<br>(447) |
| 18K                                     | 48-13/28<br>(1231) | 46-21/46<br>(1180) | 14-42/55<br>(375) | 17-3/5<br>(447) |

Fig.3.3 Boulons de suspension

## Installation et entretien

### 3.2.3 Installation de l'unité intérieure.

L'installation de l'unité intérieure est illustrée sur la Fig. 3.4.

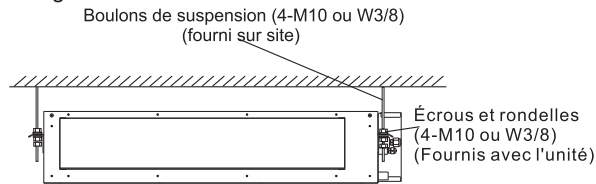


Fig. 3.4 L'installation de l'unité intérieure

- (1) Comment attacher les boulons de suspension et les écrous comme illustrés sur les figures 3.5, les écrous sont fixés avec 4 boulons.

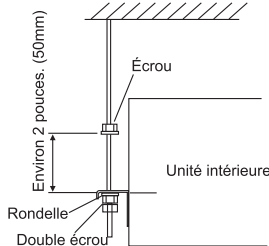


Fig. 3.5 Boulons de suspension et écrous

- (2) Installation de l'unité intérieure

- Comme indiqué sur la figure suivante, placez le support de suspension gauche sur les écrous et les rondelles des boulons de suspension.
- Assurez-vous que le support de suspension gauche a été bien fixé sur les écrous et les rondelles, installez le crochet de suspension du support de suspension droit sur les écrous et les rondelles.

(Lors de l'installation de l'unité intérieure, vous pouvez légèrement retirer les boulons de suspension).

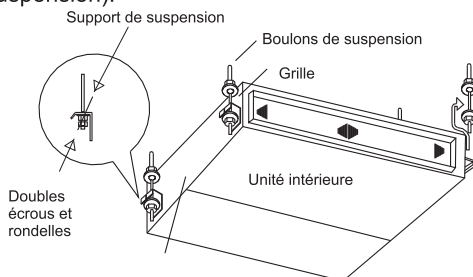


Fig. 3.6

### 3.2.4 Ajustement du niveau de l'unité

- (1) Vérifiez que la fondation est plate, en prenant en compte le gradient maximal de la fondation.
- (2) L'unité devrait être installée de manière à ce que le côté du drainage soit légèrement plus bas [0 po.~ 0.2 po. (0 mm~5 mm)] que les autres côtés pour un drainage adéquat.

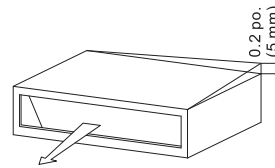


Fig. 3.7

- (3) Après le réglage, serrez l'écrou et fixez le dispositif de blocage de fil sur la suspension pour empêcher les écrous de se desserrer.



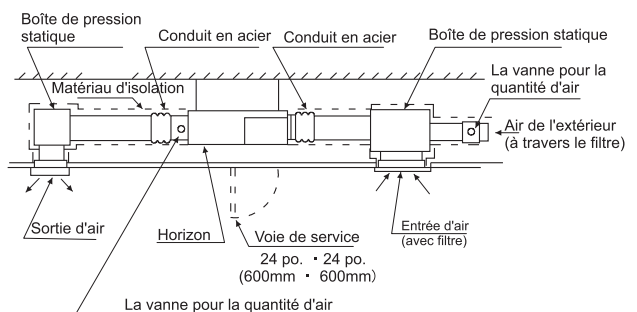
- (1) Pendant l'installation, veuillez couvrir l'unité avec un voile de plastique pour le maintenir propre.
- (2) Assurez-vous que l'unité est installée à niveau en utilisant un niveau ou un tube en plastique rempli d'eau au lieu d'un niveau, ajustez la surface supérieure de l'unité à la surface de l'eau aux deux extrémités du tube en plastique et réglez l'unité horizontalement (une chose à surveiller en particulier est si elle est installée de sorte que la pente ne soit pas dans la direction de la tuyauterie d'évacuation, car cela pourrait causer une fuite).

### 3.2.5 Installation du conduit



- Assurez-vous que la pression statique externe de l'unité est dans la plage recommandée.
- Connectez le conduit et la bride d'admission.
- Connectez le conduit et la bride côté sortie.
- La connexion de l'unité intérieure et du conduit d'air doit être bien étanche et maintenue au chaud avec un matériau isolant.

<Exemple>



## 4. Tuyau du réfrigérant

**▲ DANGER**

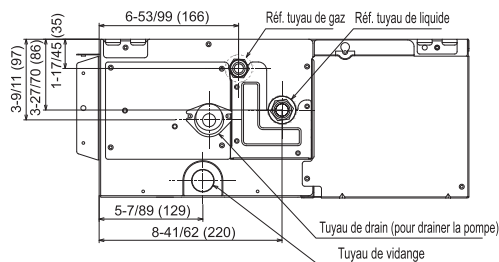
Utilisez le réfrigérant selon les informations fournies sur la plaque signalétique extérieure. Lorsque vous effectuez la vérification et le test de fuite, ne mélangez pas l'oxygène, l'acétylène et des gaz violents et inflammables, car ces gaz sont relativement dangereux, et peuvent provoquer des explosions. Il est suggéré d'utiliser du nitrogène pour effectuer ces expérimentations.

### 4.1 Le matériel du tuyau

- (1) Préparez le tuyau de cuivre sur place.
- (2) Choisissez un tuyau en cuivre sans poussière, non humide et propre. Avant d'installer le tuyau, utilisez de l'azote ou de l'air sec pour éliminer la poussière et l'impureté du tube.
- (3) Choisissez un tuyau en cuivre selon la Fig. 4.2.

### 4.2 La connexion du tuyau

- (1) Les positions de raccordement du tuyau sont illustrées sur la Fig. 4.1 et sur la Fig. 4.2.



9K~18K

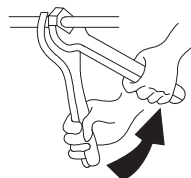
Unité : po. (mm)

Fig. 4.1 Les positions de connexion du tuyau

| Modèle (Btu/h) | Tuyau de gaz [po. (mm)] | Tuyau de liquide [po. (mm)] |
|----------------|-------------------------|-----------------------------|
| 9K~12K         | ø 3/8 (9.52)            | ø 1/4 (6.35)                |
| 18K            | ø 1/2 (12.7)            | ø 1/4 (6.35)                |

Fig. 4.2 Le diamètre du tuyau

- (2) Comme illustré à la Fig. 4.3, vissez les écrous avec 2 clés.



| Taille du tube [po. (mm)] | Couple [lbf-pied. (N-m)] |
|---------------------------|--------------------------|
| ø 1/4 (6.35)              | 14.8 (20)                |
| ø 3/8 (9.52)              | 29.5 (40)                |
| ø 1/2 (12.7)              | 44.3 (60)                |
| ø 5/8 (15.88)             | 59.0 (80)                |
| ø 3/4 (19.05)             | 73.8 (100)               |

Fig. 4.3 Serrage du couple pour l'écrou

- (3) Après avoir terminé la connexion des tuyaux de réfrigérant, maintenez-le au chaud avec le matériau d'isolation.

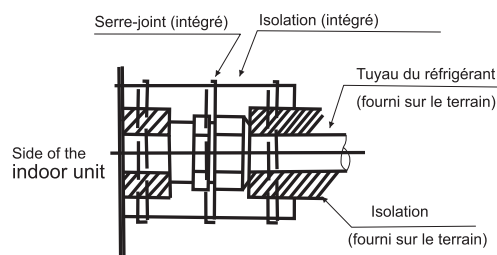
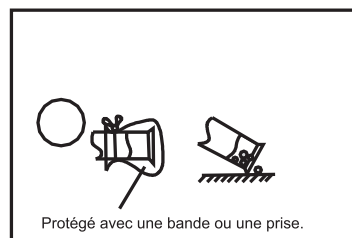


Fig. 4.4 Procédure d'isolation de la tuyauterie

**▲ MISE EN GARDE**

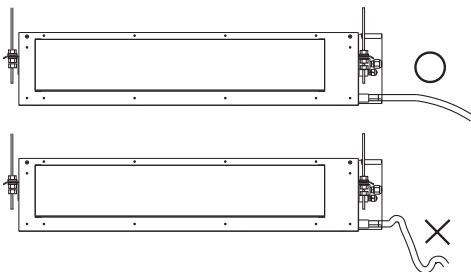
- Le tuyau traverse le trou avec le joint.
- Ne posez pas les tuyaux directement sur le sol.



### 5. Tuyauterie de vidange

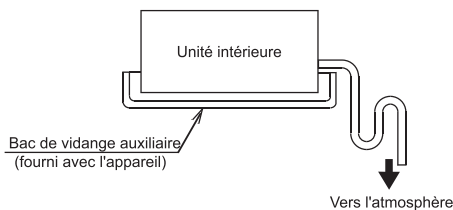
Installation de la tuyauterie de vidange

- Rassurez-vous que le drain fonctionne correctement.
- Préparez un tuyau en chlorure de polyvinyle de 1,3 po. (32 mm) de diamètre extérieur.
- Le diamètre du trou de raccordement du tuyau de drainage doit être identique à celui du tuyau de drainage.
- Gardez le tuyau de vidange court et incliné vers le bas à une pente d'au moins 1/100 pour éviter la formation de poches d'air.



#### REMARQUE

Lorsque l'humidité relative de l'air entrant ou de l'air ambiant est au-delà de 80 %, veuillez placer un bac de vidange auxiliaire (fourni avec l'appareil) sous l'unité intérieure comme indiqué ci-dessous.

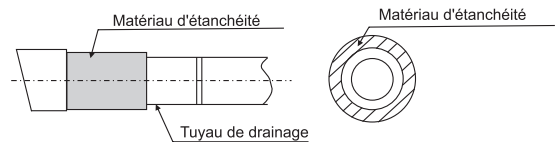


#### MISE EN GARDE

L'accumulation de l'eau dans la tuyauterie de vidange peut causer une obstruction du drain.

- Pour éviter l'affaissement de la douille de vidange, espacez les fils tous les 3,3 pied (1m) à 5,0 pied (1,5m).
- Utilisez le tuyau de vidange et le serre-joint. Insérez le tuyau de vidange complètement dans la douille de vidange et serrez fermement le tuyau de vidange et le matériel de maintien au chaud avec le serre-joint.
- Les deux zones ci-dessous devraient être isolées, parce que de la condensation peut se produire ici, provoquant une fuite.

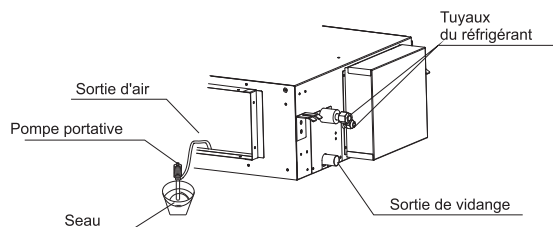
- Tuyauterie de vidange passant à l'intérieur
- Douille de vidange.
- En vous reportant à la figure ci-dessous, isolez la douille de vidange et le tuyau de vidange à l'aide du grand tampon d'étanchéité inclus.



#### MISE EN GARDE

Connexions de la tuyauterie de vidange

- Ne connectez pas les tuyaux de drain directement aux tuyaux d'eaux usées pour éviter d'avoir une odeur d'ammoniac. L'ammoniac présent dans les eaux usées pourrait pénétrer dans l'unité intérieure par les tuyaux de vidange et corroder l'échangeur de chaleur.
- Ne pas tordre ou courber le tuyau de drain, car faire cela exercerait dessus une force excessive et pourrait aussi provoquer des fuites.
- Une fois la tuyauterie terminée, vérifiez que le drainage s'écoule sans problèmes.
- Versez progressivement environ 1000 cm<sup>3</sup> d'eau depuis le trou de sortie dans le bac de vidange pour vérifier l'écoulement du drainage.
- Vérifiez le drainage comme illustré ci-dessous :



## 6. Câblage électrique

### 6.1 Vérifications générales



- Lors du serrage des câbles, utilisez le matériel de serrage inclus pour empêcher qu'une pression externe ne soit exercée sur les connexions de câblage et serrez fermement.
- Lors de la réalisation des travaux de câblage, assurez-vous que les câbles sont en bonne condition et ne provoquent pas d'adhésion au couvercle de la boîte de contrôle, puis fermez fermement le couvercle. Lorsque vous fixez le couvercle du boîtier de commande, assurez-vous qu'aucun fil n'est pincé.
- À l'extérieur de l'unité intérieure et de l'unité extérieure, séparez le câblage faible (télécommande et câblage de transmission) et le câblage fort (fil de terre et câble d'alimentation principale) d'au moins 2 po. (50 mm), afin qu'ils ne passent pas par le même endroit ensemble. Une proximité peut provoquer des interférences électriques, des dysfonctionnements et des pannes.



- Si le fusible grille, veuillez appeler le distributeur de service autorisé. Veuillez ne pas le remplacer vous-même, car cela pourrait entraîner un accident ou un choc électrique.
- (1) Retirez les vis et le couvercle du boîtier électrique comme illustré sur la Fig. 6.1.
  - (2) Faites passer le câble de connexion et le câble du contrôleur câblé à travers les deux trous du panneau de conduite.
  - (3) Attachez la connexion de conduite au panneau de conduite en utilisant un écrou de verrouillage.
  - (4) Connectez le câble de connexion et le contrôleur câblé au bornier.
  - (5) Attachez fermement le câble dans le boîtier électrique avec le serre-joint.
  - (6) Après avoir complété le câblage, étanchéifiez le trou des câbles avec un matériau étanche (avec le couvercle) pour empêcher la condensation et les insectes d'entrer dans le boîtier de contrôle.
  - (7) Remettez le couvercle du boîtier électrique après avoir complété les travaux.

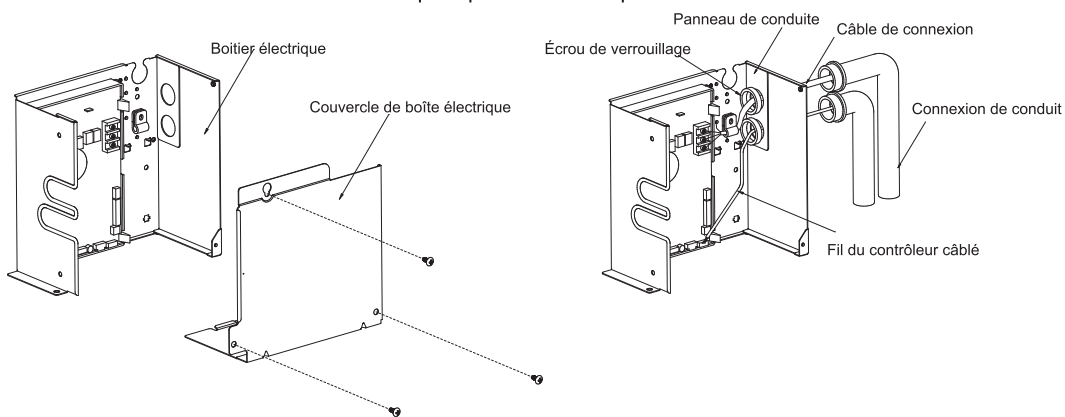
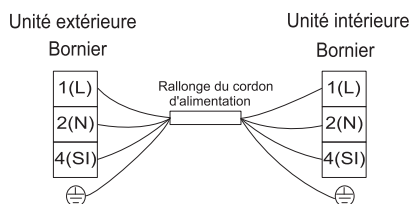


Fig.6.1

### Schéma de câblage électrique



### 6.2 Changement de la pression statique

La pression statique peut être ajustée facilement à l'aide d'une télécommande filaire spécifique.

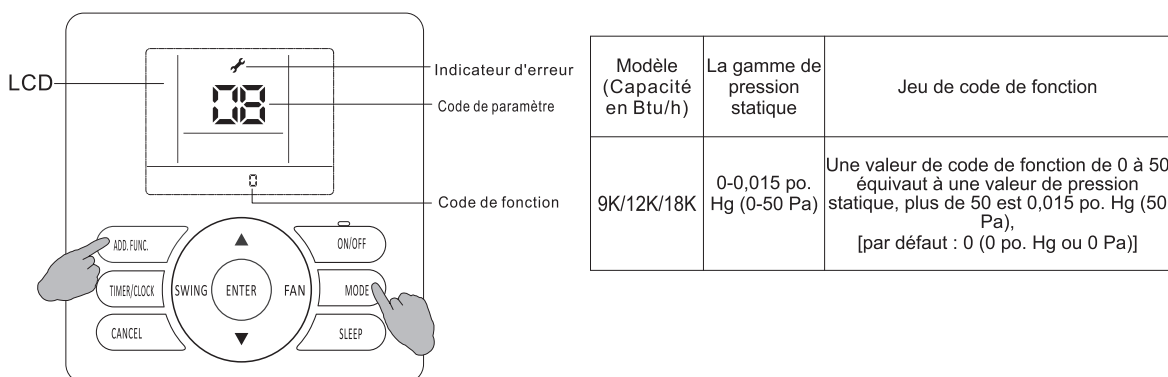
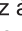



Fig 6.2

#### Réglage de la pression statique :

- Maintenez à la fois le bouton « MODE » et le bouton « AJOUTER UNE FONCTION » pendant 3 secondes, le symbole  et le code de paramètre clignotent en même temps.
- Appuyez sur le bouton « ▲/▼ » pour ajuster le numéro de paramètre jusqu'à l'affichage de « 17 », et appuyez sur le bouton « ENTRÉE » pour entrer dans l'état d'adaptation du paramètre du système, le symbole  s'arrête de clignoter.
- Sélectionnez le code 10 de paramètre désiré en appuyant sur le bouton « ▲/▼ », et appuyez sur le bouton « ENTRÉE » pour confirmer.
- Sélectionnez le code de fonction désiré pour réécrire les valeurs de paramètres en appuyant sur le bouton « ▲/▼ », et appuyez sur le bouton « ENTRÉE » pour confirmer.
- Appuyez sur le bouton « ON/OFF » ou sur le bouton « ANNULER » pour quitter.

Si vous avez encore des problèmes, veuillez contacter le centre de service technique local de notre société pour plus d'informations.

### 6.3 Installations électriques

#### ATTENTION

- Utilisez un ELB (disjoncteur de fuite électrique). Si non utilisé, cela provoquerait un choc électrique ou un incendie.
  - Ne faites pas fonctionner le système avant que tous les points de vérification aient été complétés.
- (A) Vérifiez que la résistance d'isolement est supérieure à 2 MΩ, en mesurant la résistance entre la masse et la borne des pièces électriques. Si ce n'est pas le cas, ne faites pas fonctionner le système tant que la fuite électrique n'a pas été détectée et réparée.
- (B) Vérifiez que les vannes d'arrêt de l'unité extérieure sont complètement ouvertes, puis démarrez le système.
- **Faites attention aux éléments suivants pendant que le système fonctionne.**
- (A) Ne touchez aucune des pièces du côté du gaz de décharge avec la main puisque la chambre de compression et es tuyaux du côté de décharge sont chauffés à une température supérieure à 194°F(90°C).
- (B) **NE PAS APPUYER SUR LE BOUTON DE L'INTERRUPTEUR(S) MAGNÉTIQUE(S).** Cela peut causer un accident grave.

| Capacité du modèle (Btu/h) | Taille du câble de transmission |
|----------------------------|---------------------------------|
| 9K~18K                     | 4 × 14AWG                       |

Remarque :

- (1) Respectez les codes et réglementations locales lors de la sélection des câbles sur site, ainsi que toutes les tailles minimales ci-dessus.
- (2) Utilisez des câbles d'alimentation en cuivre.
- (3) Lorsque la longueur du câble de transmission est supérieure à 49-1/5 pied (15 m), une taille de câble plus large devrait être sélectionnée.
- (4) Installez le commutateur principal et l'ELB pour chaque système séparément. Sélectionnez un ELB de type à haute réponse qui est actionné. 0,1 seconde. Capacité recommandée pour voir la capacité du commutateur de la machine extérieure.

<Attentions lors de la connexion du câblage de l'alimentation électrique>

1. Lors de la connexion du bornier à l'aide de toron, assurez-vous d'utiliser le bornier de type rond à sertir pour connecter le bornier d'alimentation électrique. Placez les bornes à sertir rondes sur les fils jusqu'à la partie couverte et sécurisez-les en place.
2. Lorsque vous connectez le bornier à l'aide d'un seul fil, veillez à effectuer la polymérisation.

### 7. Essai

Veillez effectuer un essai conformément au manuel d'installation de l'unité extérieure.

