

This Owner's Manual is provided and hosted by [Appliance Factory Parts](https://www.appliancefactoryparts.com).



# FRIEDRICH FPHW093 Owner's Manual

[Shop genuine replacement parts for FRIEDRICH  
FPHW093](#)



[Find Your FRIEDRICH Air Conditioner Parts - Select From 1577 Models](#)

----- Manual continues below -----



**FRIEDRICH**

1 8 8 3

# Installation Manual

## DUCTLESS SPLIT SYSTEMS



Manual for the following models:

FDHW09'	FDH: W09A3A FDHSF 09A3A
FDHW123	FDH: W12A3A FDHSF %&A3A
FD<K % ' '	FDH: W1, A3A FPHSF 18A3A
FD<K & ' '	FPHFW24A3A FPHSR24A3A
FD<K ' * ' '	FPHSW36A3A FPHSR36A3A
FD<K \$- %	FRHSW09A1A FRHSR09A1A
FD<K %&%	FPHSW12A1A FPHSR12A1A
FRHK \$- ' '	FRHSW09A3A FRHSR09A3A
FF<K %&'	FRHSW12A3A FRHSR12A3A

ENGLISH

ESPAÑOL

FRANÇAIS



THE EXPERTS IN ROOM AIR CONDITIONING

# Contents

---

<b>Safety Instructions</b> .....	1
<b>Preparation before Use</b> .....	2
Safeguarding the Environment .....	2
<b>Safety Precautions</b> .....	3
<b>Display Introduction</b> .....	4
<b>Installation Instructions</b> .....	5
Installation Diagram .....	5
Suggested Tools .....	6
Site Instructions.....	7
Indoor Unit Installation .....	8
Outdoor Unit Installation .....	16
Power and Wiring .....	18
Vacuum Testing and Charging .....	19
Start-up .....	21
<b>Care and Maintenance</b> .....	22
<b>Protection</b> .....	25
<b>Troubleshooting</b> .....	26

*Remote controller operating instructions. See "remote controller instructions".*

# ***Safety Instructions***

- To ensure proper operation, please review this manual prior to installation.
- Proper triple evacuation should be followed during installation.
- Follow proper grounding and bonding to ensure protection of users and equipment.
- Verify that wire terminals are tight and no wires are loose, also ensure there are no leaks at flare joints prior to applying power to system.
- Properly sized breaker should be installed before unit is in operation.
- Please keep manual for future use and for future users.
- Fuse values:

Models:	Fuse of Indoor unit:	Fuse of outdoor unit:
9K(115V)	T 3.15A or T 5A 250V	T 20A 250V
12K(115V)	T 3.15A or T 5A 250V	T 25A 250V
9K-12K(208/230V)	T 3.15A or T 5A 250V	T 15A 250V
18K(208/230V)	T 3.15A or T 5A 250V	T 20A 250V
24K-36K(208/230V)	T 3.15A or T 5A 250V	T 30A 250V

- Verify power is completely disconnected before servicing equipment.
- Equipment is developed and certified with a 25ft. line-set.
- Follow local rules and regulations on disposal of batteries.
- The appliance shall be installed in accordance with local electrical safety regulations and National Electrical Codes(NEC).
- The air conditioner must be installed by professional or qualified persons.

# Preparation before Use

## Note

- Follow proper charging methods, R410A must be added in a liquid state if added as a gas, separation of the refrigerant may occur and cause system to perform incorrectly.
- System pressures can run high with R410A, please exercise caution when servicing equipment.
- The air conditioner must be installed by trained, qualified installers and service mechanics.
- The temperature of refrigerant circuit will be high, please keep the interconnection cable away from the copper tube.

## Safeguarding the environment

This appliance is made of recyclable or re-usable material. Scrapping must be carried out in compliance with local waste disposal regulations.

For more detailed information on handling and recycling this product, contact your local authorities who deal with the separate collection of rubbish or the shop where you bought the appliance.

## SCRAPPING OF APPLIANCE

This marking indicates that this product should not be disposed with other household wastes throughout the North America. To prevent possible harm to the environment or human health from uncontrolled waste disposal, recycle it responsibly to promote the sustainable reuse of material resources. To return your used device, please use the return and collection systems or contact the retailer where the product was purchased. They can take this product for environmental safe recycling.



# Safety Precautions

Symbols in this Use and Care Manual are interpreted as shown below.



Be sure not to do.














Grounding is essential.







Pay attention to such a situation.

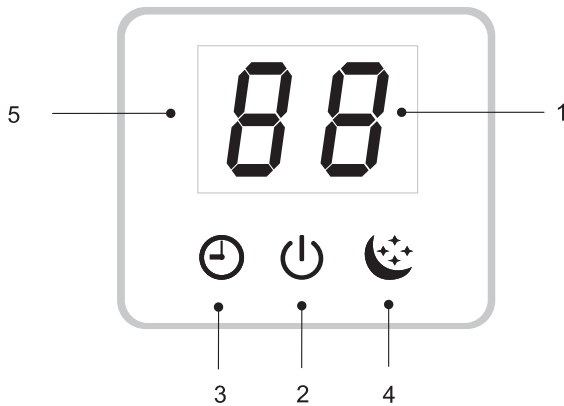


Warning: Incorrect handling could cause a serious hazard, such as death, serious injury, etc.

 <p>Use correct power supply in accordance with the rating plate requirement. Otherwise, serious faults or hazard may occur or a fire maybe break out.</p>	 <p>Keep the power supply circuit breaker or plug from dirt. Connect the power supply cord to it firmly and correctly, lest an electric shock or a fire break out due to insufficient contact.</p>	 <p>Do not use the power supply circuit breaker or pull off the plug to turn it off during operation. This may cause a fire due to spark, etc.</p>
 <p>Do not knit, pull or press the power supply cord, lest the power supply cord be broken. An electric shock or fire is probably caused by a broken power supply cord.</p>	 <p>Never insert a stick or similar obstacle to the unit. Since the fan rotates at high speed, this may cause an injury.</p>	<p>It is harmful to your health if the cool air reaches you for a long time. It is advisable to let the air flow be deflected to all the room.</p>
 <p>Turn off the appliance by remote control firstly before cutting off power supply if malfunction occurs.</p>	 <p>Do not repair the appliance by yourself. If this is done incorrectly, it may cause an electric shock, etc.</p>	 <p>Prevent the air flow from reaching the gas burners and stove.</p>
 <p>Do not touch the operation buttons when your hands are wet.</p>	 <p>Do not put any objects on the outdoor unit.</p>	 <p>It is the user's responsibility to make the appliance be grounded according to local codes or ordinances by a licenced technician.</p>

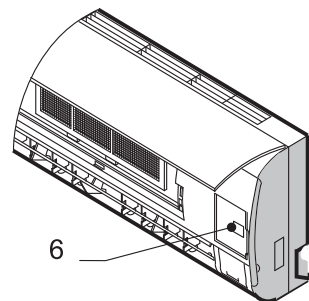
# Display Introduction

   	<p>Temperature indicator ..... 1          Display set temperature.</p> <p>Timer indicator ..... 2          It lights up during set time.</p> <p>Sleep indicator ..... 3          It lights up in sleep mode.</p> <p>Running Indicator ..... 4          It lights up when the AC is running.          It flashes during defrosting.</p> <p>IR receiver ..... 5</p>
--	---



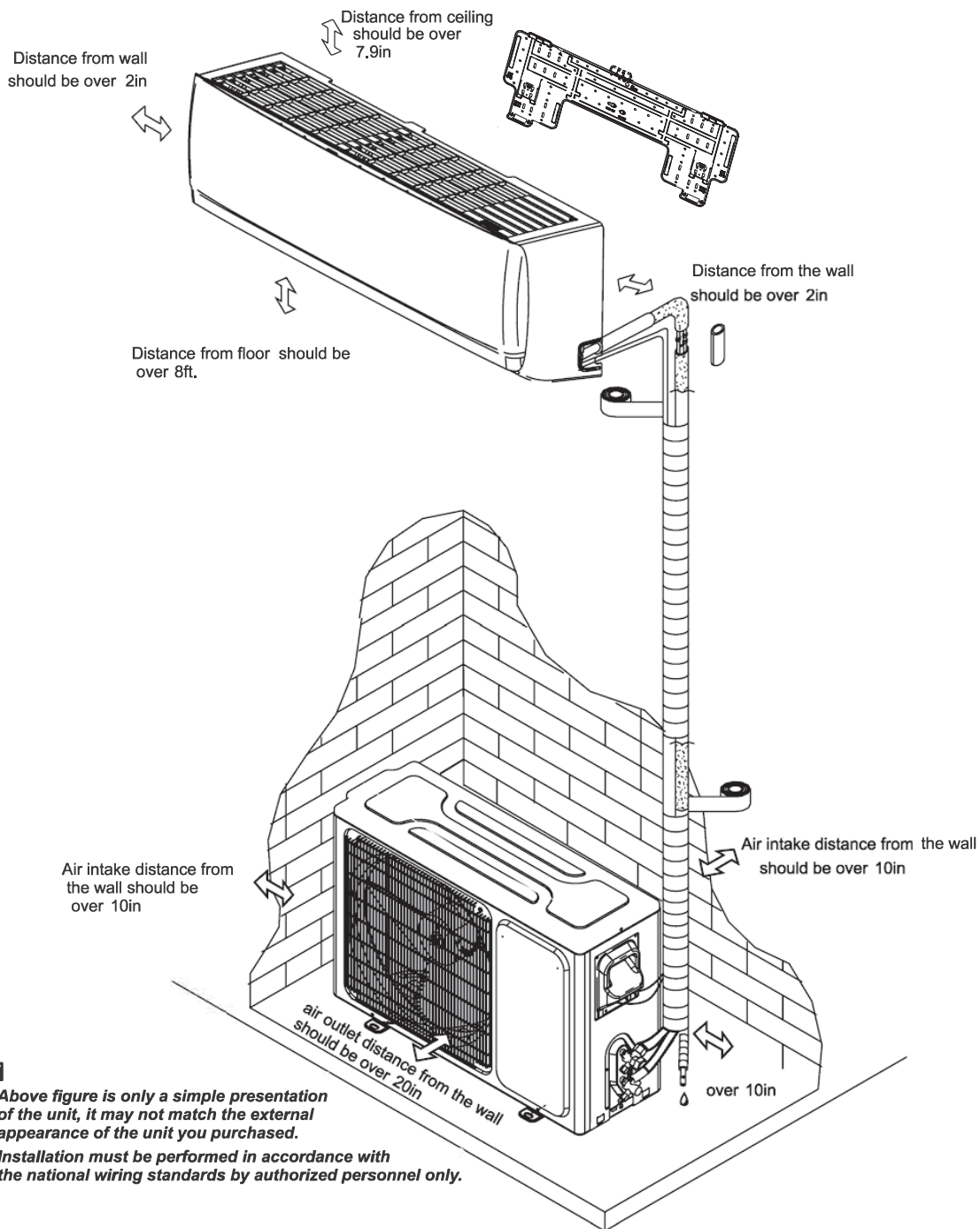
Manual operation button 6

**ON/OFF** To let the AC run or stop by pressing the button.



# Installation Instructions

## Installation diagram



- Above figure is only a simple presentation of the unit, it may not match the external appearance of the unit you purchased.
- Installation must be performed in accordance with the national wiring standards by authorized personnel only.

# *Installation Instructions*

---

## **Suggested Tools**

In order to install your air-conditioner more conveniently and safely, you might use those special tools listed below.

Standard Wrench

Screw Driver

Hex Keys or Allen Wrenches

Adjustable/Crescent Wrench

Torque wrench

Drill & Drill Bits

Manifold and Gauges

Vacuum Pump

Clamp on Amp Meter

Level

Work Gloves

Safety Glasses

Pipe Cutter

Refrigerant Scale

R410A Flaring Tool

Micron Gauge

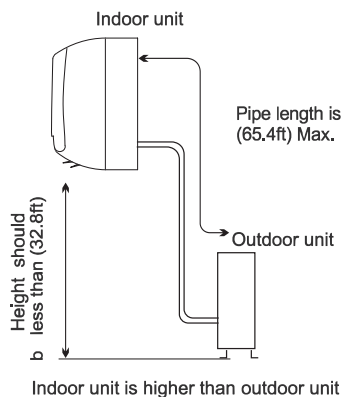
Hole Saw

# Installation Instructions

## Site Instructions

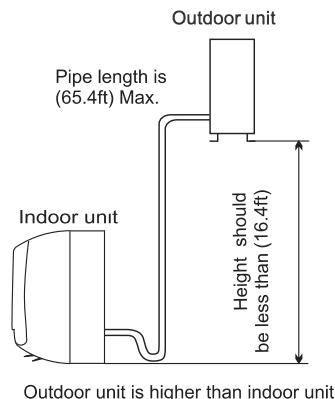
### Site for Installing Indoor Unit

- Ensure that unit is mounted where air flow will not be restricted.
- Keep the required space from the unit to the ceiling and wall according to the installation diagram on previous page.
- Where the air filter can be easily removed.
- Keep the obstacles between the indoor unit and remote controller 3ft away from any source of radio frequency or electromagnet interference
- keep as far as possible from fluorescent lamps.
- Do not put anything near the air inlet to obstruct airflow.
- Install on a wall that is strong enough to bear the weight of the unit.
- Install in a place that will not increase operation noise and vibration.
- Keep away from direct sunlight and heating sources. Do not place flammable materials or combustion apparatuses on top of the unit.



### Site for Installing Outdoor Unit

- Clear open space with good unrestricted airflow.
- Avoid installing it where flammable gas could leak.
- Keep the required distance apart from the wall.
- Keep the outdoor unit away from greasy dirt.
- A fixed base where it is not subject to increased operation noise.
- Where there is not any blockage of the air outlet.
- Avoid installing under direct sunlight, in an aisle or sideway, or near heat sources and ventilation fans. Keep away from flammable materials, thick oil fog, and wet or uneven places.
- In case the pipe length is more than (24.6ft), the refrigerant should be charged additionally, according to below table.



Model	Required amount of additional refrigerant (Oz)
9K-18K	0.7
24K	1.0
30K-36K	1.5

If the height or pipe length is out of the scope of the table, please consult your installer or Friedrich Air Conditioning.

# Installation instructions

## Indoor unit installation

### 1. Installing the Mounting Plate

- 1) Decide an installing location for the mounting plate according to the indoor unit location and piping direction.
- 2) Find the center of the mounting plate according to the mark on it. Then install a screw to fix it preliminary.
- 3) Keep the mounting plate horizontally with a horizontal ruler or dropping line.
- 4) Drill holes of 32 mm in depth on the wall for fixing the plate.
- 5) Fix the mounting plate with as least 7 self-tapping screws. For some mounting plates with a holder in the middle, at least 8 screws are required. (Fig. 1).
- 6) Inspect if the mounting plate is well fixed. Then drill a hole for piping.

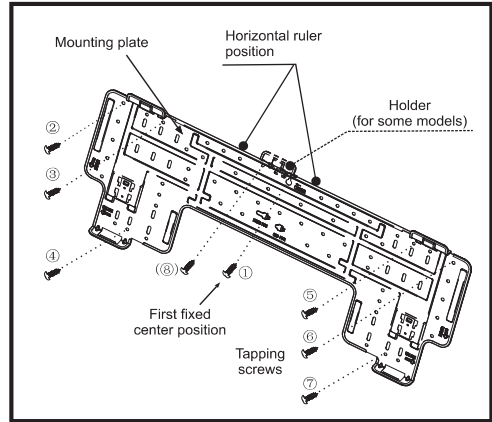


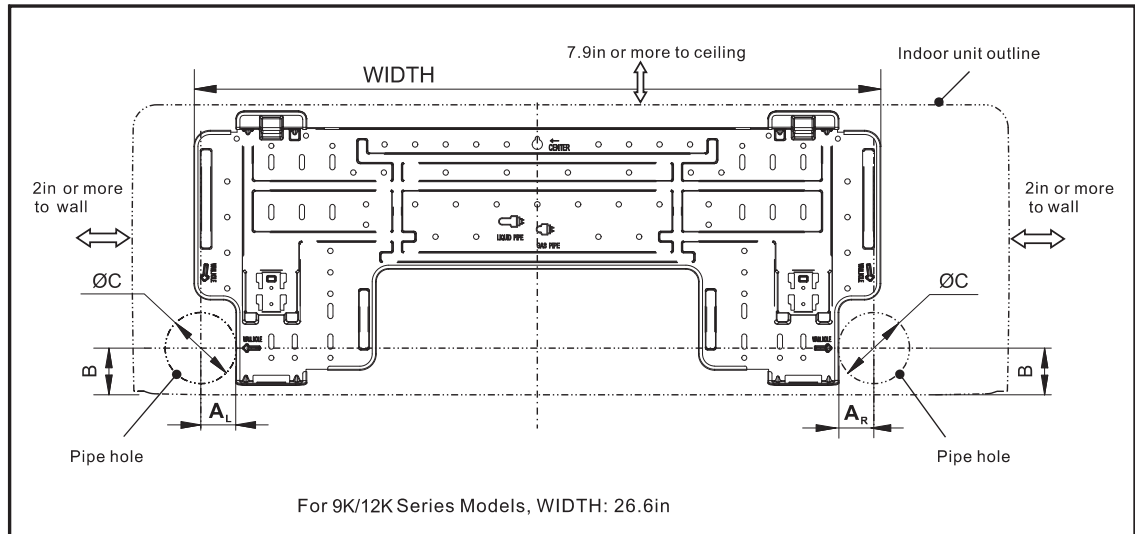
Fig. 1

**Note:** It is recommended to install screw anchors for sheet rock, concrete block, brick and such type of wall.

**Note:** The center of the mounting bracket may be not the center of the indoor unit.

**Note:** The shape of your mounting plate may be different from the one above, but installation method is similar.

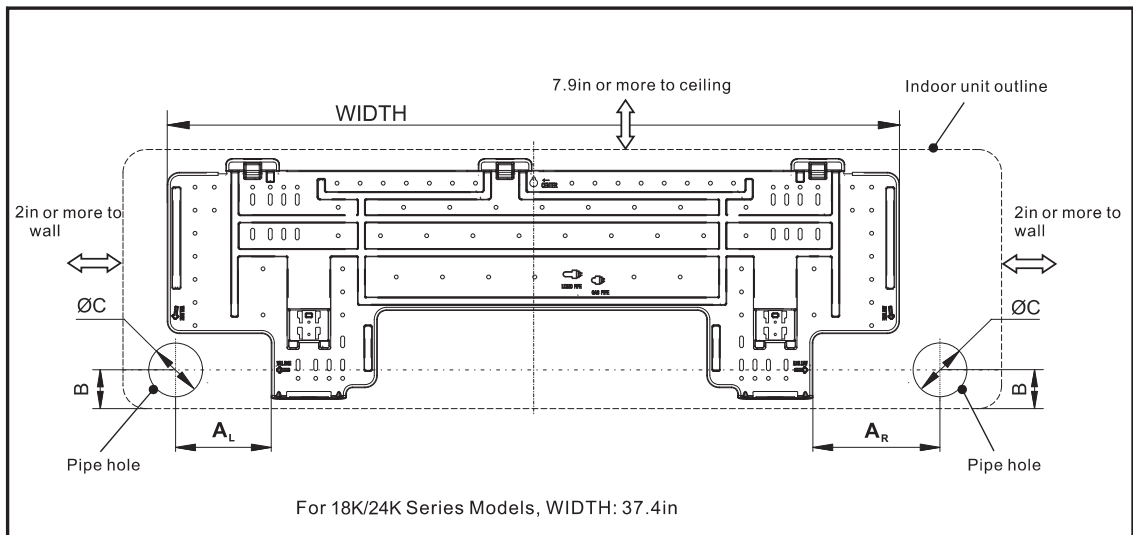
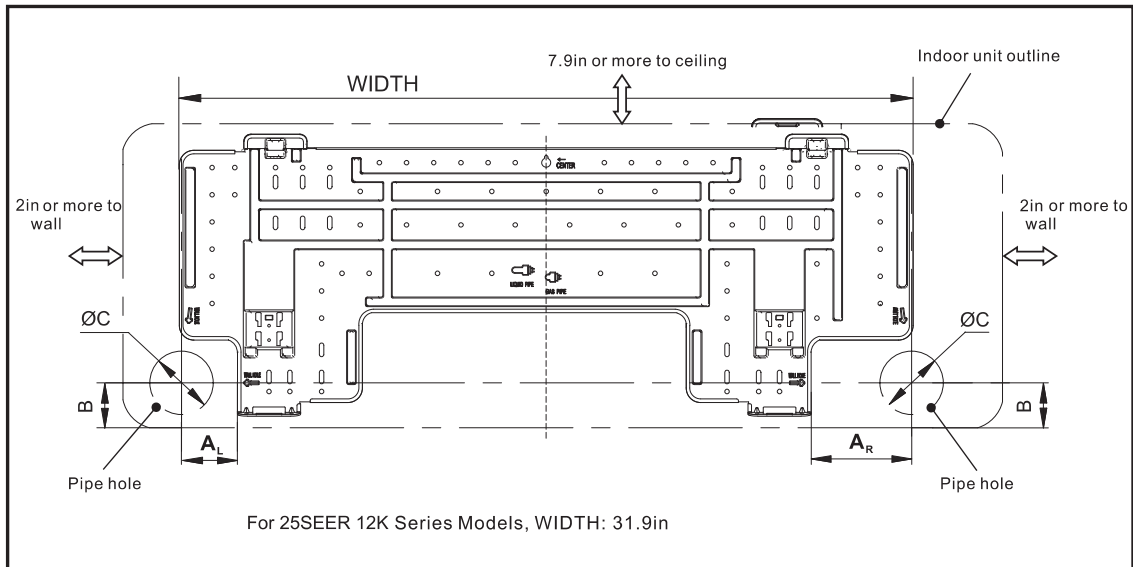
### • THE MOUNTING PLATE DIAGRAMS AND DIMENSIONS (Recommended)



# Installation instructions

## Indoor unit installation

- THE MOUNTING PLATE DIAGRAMS AND DIMENSIONS (Recommended)



# Installation instructions

## Indoor unit installation

Table of Wall Hole Mounting size per Unit Size

Unit Model	Size A <sub>L</sub>	Size A <sub>R</sub>	Size B	Size C
	in	in	in	in
9K/12K	1.38	1.38	1.81	2.7
12K 25 SEER	2.44	4.33	1.93	2.7
18/24K	4.88	6.50	1.97	2.7

### 2. Drill a Hole for Piping

- 1) Decide the position of hole for piping according to the location of mounting plate.
- 2) Drill a hole on the wall. The hole should tilt a little downward toward outside.
- 3) Install a sleeve through the wall hole to keep the wall tidy and clean. (Fig. 2)

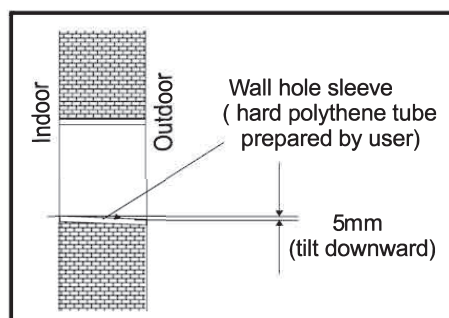


Fig. 2

### 3. Piping Provision

- 1) Put the piping (liquid and gas pipe) and cables through the wall hole from outside or put them through from inside after indoor piping and cables connection is complete to connect to the outdoor unit.
- 2) Decide whether to saw the unloading piece off in accordance with the piping direction. (Fig. 3)

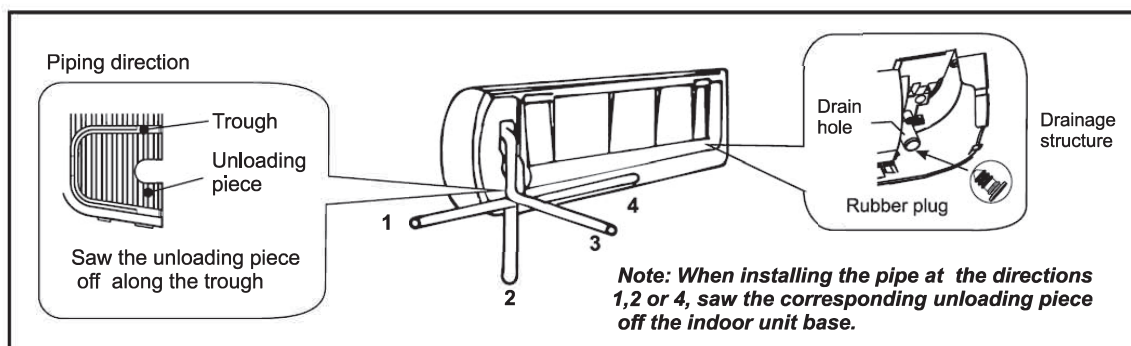


Fig. 3

# Installation instructions

## Indoor unit installation

**Note:** Both sides drainage structure is standard. For both sides drainage structure, it can be chosen for right, left or both sides drainage connection. If choosing both sides drainage connection, another proper drain hose is needed as there is only one drain hose offered by factory. If choosing one side drainage connection, make sure the drain hole on the other side is well plugged.

- Put the piping (liquid and gas pipe) and cables through the wall hole from outside.
  - Cut the liquid pipe and gas pipe to the right length according to the position mark on the wall mounting plate (Fig. 4). Ensure that the cut is flat (Fig. 5).

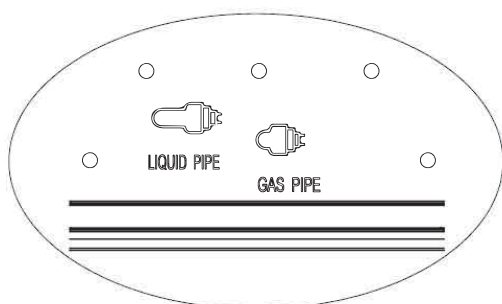


Fig. 4

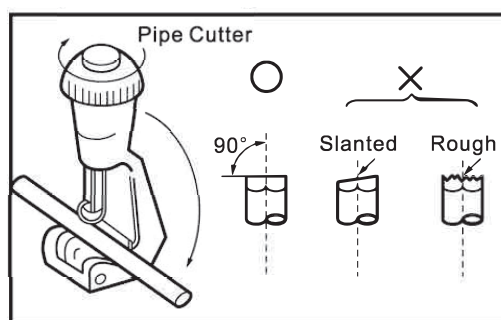


Fig. 5

- Remove burrs on the cutting edges. Keep the pipe outlet down to avoid the metal powder into the pipe (Fig. 6).
- Flare the pipes. Insert the pipe outlet into the copper nut before flaring the pipe. Ensure that the hole is flat with sound surface and even thickness. (Fig. 7)

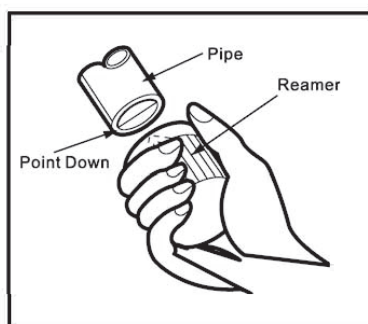


Fig. 6

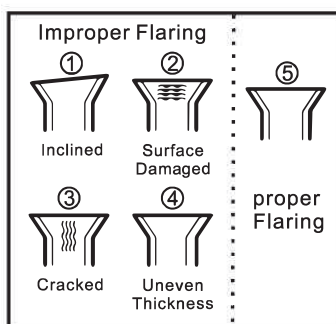


Fig. 7

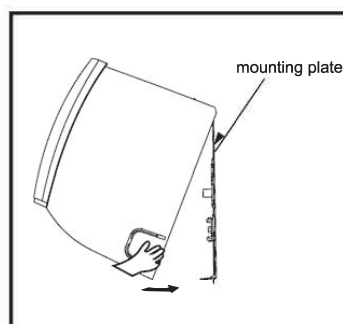


Fig. 8

### 4. Indoor Unit Piping Installation

- Hang the unit onto mounting plate (Fig. 8).

# Installation instructions

## Indoor unit installation

- 2) In the A position, open the front panel as shown in Fig. 9.
- 3) In the B position, open the screw covers as shown in Fig. 10 and remove the screws. (Note: For some models, you need to remove 3 screws.)
- 4) In the C position, open the front shell as shown in Fig. 11. Then in the D position, push the baffles to prevent the front shell from falling as shown in Fig. 12.

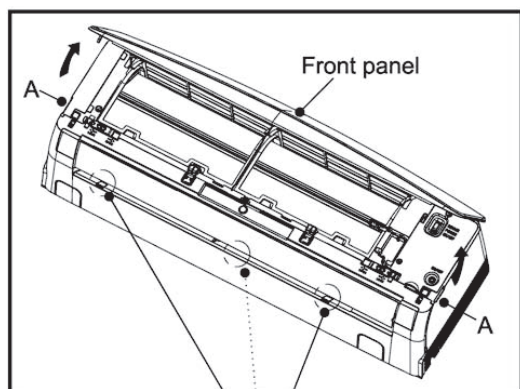


Fig. 9



Fig. 11

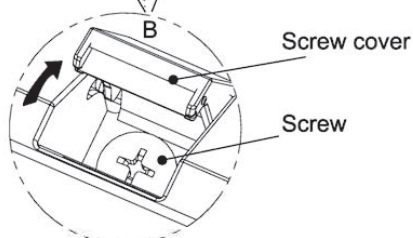


Fig. 10

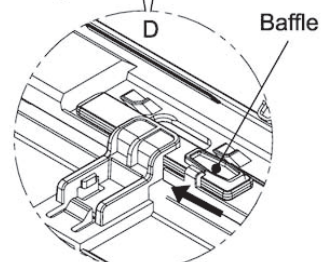


Fig. 12

- 5) Use the support plate to move the unit step by step to reach the best location. (Fig. 13 and Fig. 14).

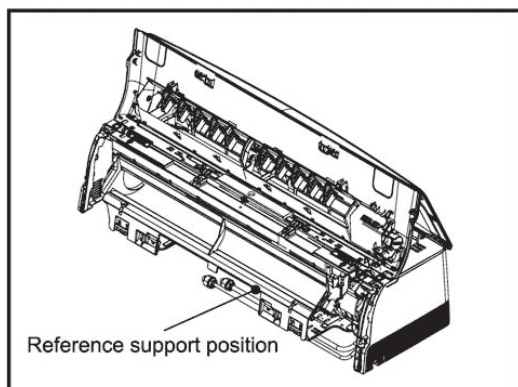


Fig. 13

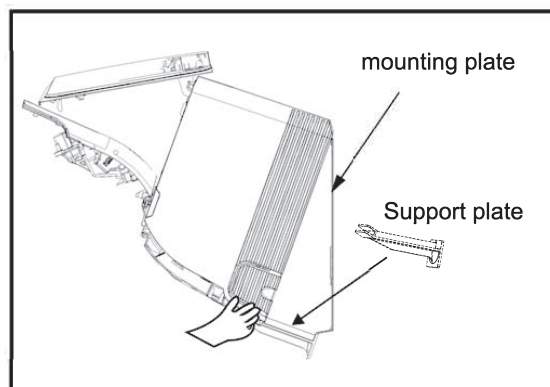


Fig. 14

**Note:** The figures in this manual may differ from that of the air conditioner you have selected.

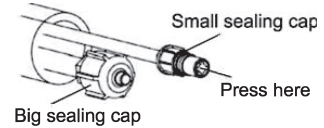
# Installation instructions

## Indoor unit installation

6) Connect the piping .

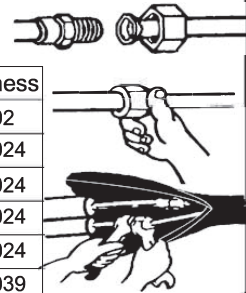
### Piping Connection:

- Before unscrewing the big and the small sealing caps, press the small sealing cap with the finger until the exhaust noise stops, and then loosen the finger.
- Connect indoor unit pipes with two wrenches. Pay special attention to the allowed torque as shown below to prevent the pipes, connectors and flare nuts from being deformed and damaged.
- Pre-tighten them with fingers at first, then use the wrenches.



☑ If you don't hear the exhaust noise, please contact with the merchant.

Model	Pipe size	Torque	Nut width	Min.thickness
9K-18K	Liquid Side ( $\phi$ 6 or 1/4 )	15~20N·m or 11~15ft·lbs	17 or 5/8	0.5 or 0.02
24K-36K	Liquid Side ( $\phi$ 9.53 or 3/8 )	30~35N·m or 22~26ft·lbs	22 or 7/8	0.6 or 0.024
9K-12K	Gas Side ( $\phi$ 9.53 or 3/8 )	30~35N·m or 22~26ft·lbs	22 or 7/8	0.6 or 0.024
18K	Gas Side ( $\phi$ 12 or 1/2 )	50~55N·m or 37~41ft·lbs	24 or 0.94	0.6 or 0.024
24K-36K	Gas Side ( $\phi$ 16 or 5/8 )	60~65N·m or 44~48ft·lbs	27 or 1.1	0.6 or 0.024
36K	Gas Side ( $\phi$ 19 or 3/4 )	70~75N·m or 52~55ft·lbs	32 or 1.26	1.0 or 0.039



**NOTE:** Dimensions are in "mm or inch" unless otherwise stated in the table.

7) After connecting piping as required, install the drain hose. Then connect the power cords. After connecting, wrap the piping, cords and drain hose together with thermal insulation materials(Fig.15-Fig.17).

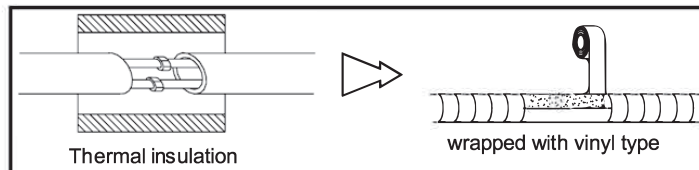


Fig. 15

**Note:** Wrap the piping joints with thermal insulation materials and then wrap with a vinyl tape.

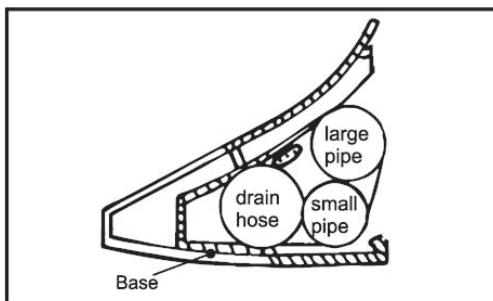


Fig. 16

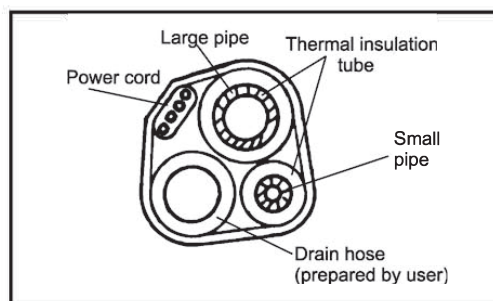


Fig. 17

**Note:** Place the drain hose under the pipes.

**Note:** Insulation material uses polythene foam over 6 mm in thickness.

**Note:** Drain hose is prepared by user.

**Note:** The figures in this manual may differ from that of the air conditioner you have selected.

# Installation instructions

## Indoor unit installation

8) Connect the power connecting cord (Fig.18).

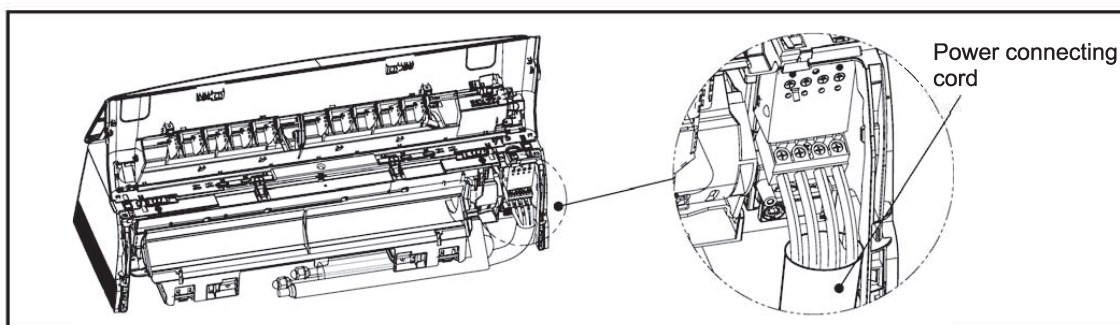


Fig. 18

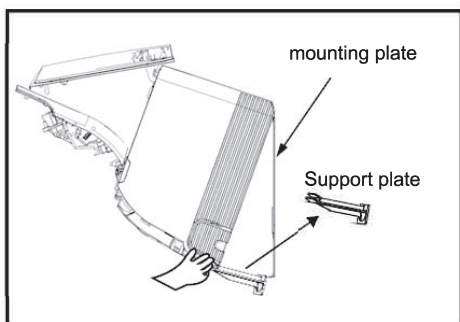


Fig. 19

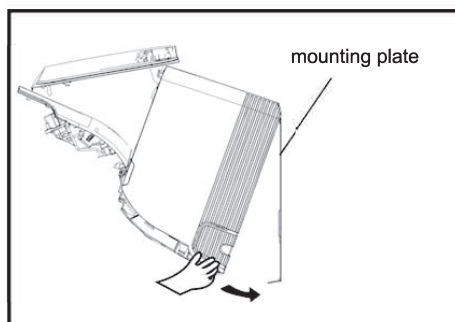


Fig. 20

9) Remove the support plate as shown in Fig. 19. Then move the unit step by step to reach the best installation, then press the 2 buckles of the air duct into 2 down slots of the mounting plate. (Fig.20 and Fig.21)

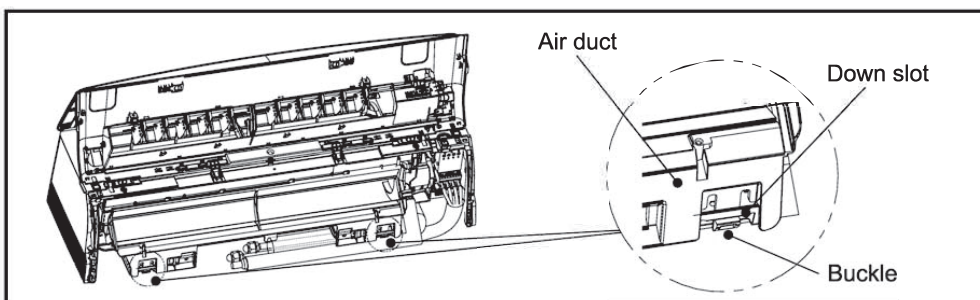


Fig. 21

**Note:** The figures in this manual may differ from that of the air conditioner you have selected.

# Installation instructions

## Indoor unit installation

- 10) Pull the baffles as shown in Fig. 22 . Close the front shell as shown in Fig. 23 . Then press the E position to fasten the front shell as shown in Fig. 24 .

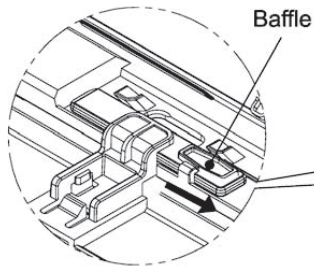


Fig. 22

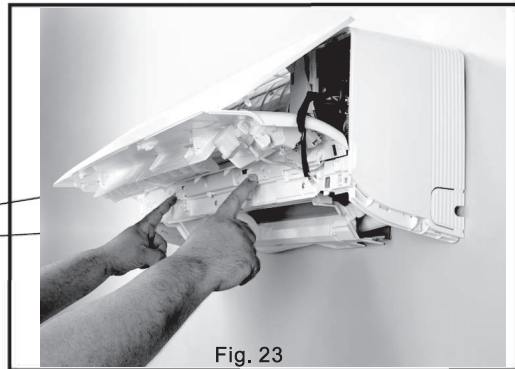


Fig. 23

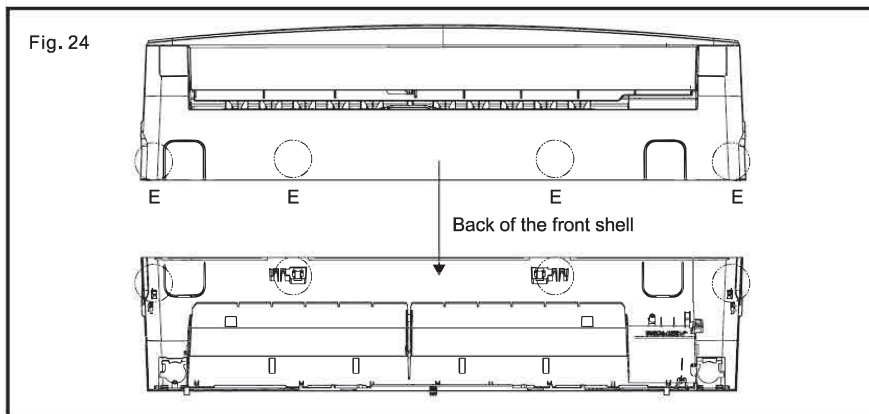


Fig. 24

- 11) Install the screws and close the screw covers as shown in Fig. 25. (Note: For some models, you need to install 3 screws.)  
12) Close the front panel as shown in Fig. 26.

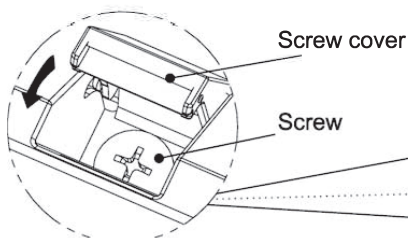


Fig. 25

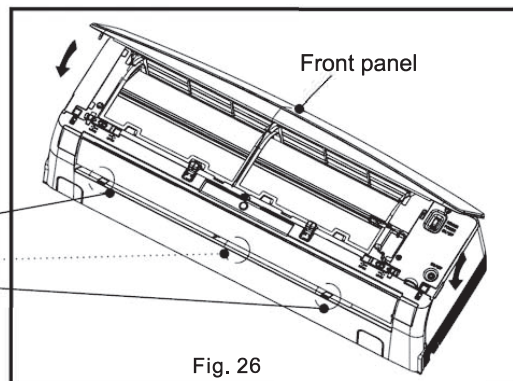


Fig. 26

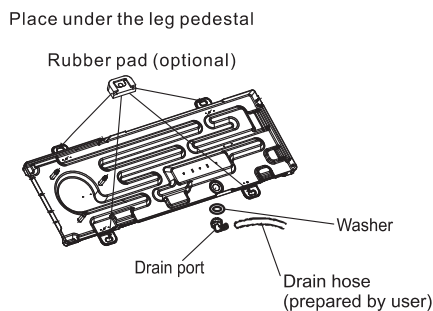
**Note:** The figures in this manual may differ from that of the air conditioner you have selected.

# Installation Instructions

## Outdoor Unit Installation

### 1. Install Condensate Drain for Outdoor Unit

The condensate drains from the outdoor unit when the unit operates in heating mode. install a drain port and a drain hose to direct the condensate water. Just install the drain port and rubber washer to the chassis of the outdoor unit, then connect a drain hose to the port as the right figure demonstrates.



### 2. Install Ground Pad or Wall Hangers

1. Determine proper location for outdoor unit.
2. Follow all instructions provided by manufacturer for installing wall hangers rubber pad.
3. Verify the wall hangers or rubber pad can safely support the weight of the outdoor unit.
4. Verify the wall hangers or rubber pad is level and meets all outdoor dimensional clearance.
5. Fix with bolts and nuts tightly on a flat and strong floor.

If installed on the wall or roof, make sure to fix the support well to prevent it from shaking due to serious vibration or strong wind.

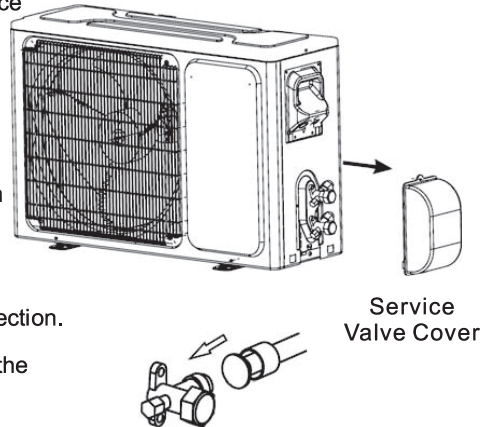
## **WARNING**

Florida wind load requirements state that outdoor unit must be anchored to concrete pad using four 3/8-in diameter power wedge bolt plus(or equivalent) with 1-in diameter fender washers. Anchor bolts must be embedded into 3000 PSI minimum concrete at a distance of 4 1/2- in from any concrete edge. The concrete thickness must exceed 1.5 times the anchor depth.

# Installation Instructions

## 3. Piping Connections to Outdoor Unit

- Remove service valve cover( if provided) to access the service valves and refrigerant ports.
- Carefully bend and adjust length of refrigerant pipes to meet outdoor unit service valves connection with proper tools to avoid kinks.
- Apply a small amount of refrigerant oil to the flare connection on the refrigerant pipe.
- Properly align piping and tighten flare nut using a standard wrench and a torque wrench as shown in the indoor piping section.
- Carefully tighten flare nuts to correct torque level referring to the following Torque Table:



*Torque Table*

Pipe diameter /inch	Nut Size /inch	Tightening Torque	
		ft-lbs	N-m
1/4	1/4	11 to 15	15 to 20
3/8	3/8	22 to 26	30 to 35
1/2	1/2	37 to 41	50 to 55
5/8	5/8	44 to 48	60 to 65
3/4	3/4	52 to 55	70 to 75

**Note:** Over tightening may damage flare connections and cause leaks.

# Installation Instructions

## Power and Wiring

### Connecting of the Cable

- Indoor Unit

Connect the power cord to the indoor unit by connecting the wires to the terminals on the control board individually in accordance with the outdoor unit connection.

**Note: For some models, it is necessary to remove the cabinet to connect to the indoor unit terminal.**

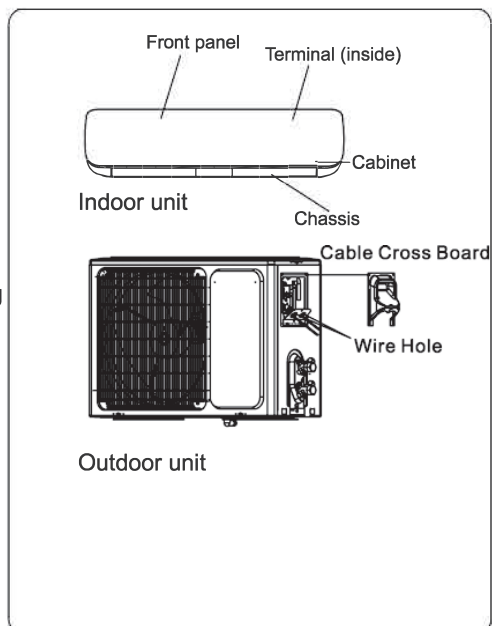
- Outdoor Unit

1) Remove the cable cross board from the unit by loosening the screw. Connect the wires to the terminals on the control board individually as follows.

2) Secure the power cord onto the control board with cable clamp.

3) Reinstall the cable cross board to the original position with the screw.

4) Use a recognized circuit breaker between the power source and the unit. A disconnecting device to adequately disconnect all supply lines must be fitted.



**Caution:**

- Never fail to have an individual power circuit specifically for the air conditioner. As for the method of wiring, refer to the circuit diagram posted on the inside of the access door .
- Confirm that the cable thickness is as specified in the power source specification.
- Check the wires and make sure that they are all tightly fastened after cable connection.
- Be sure to install an earth leakage circuit breaker in wet or moist areas.

### Cable Specifications

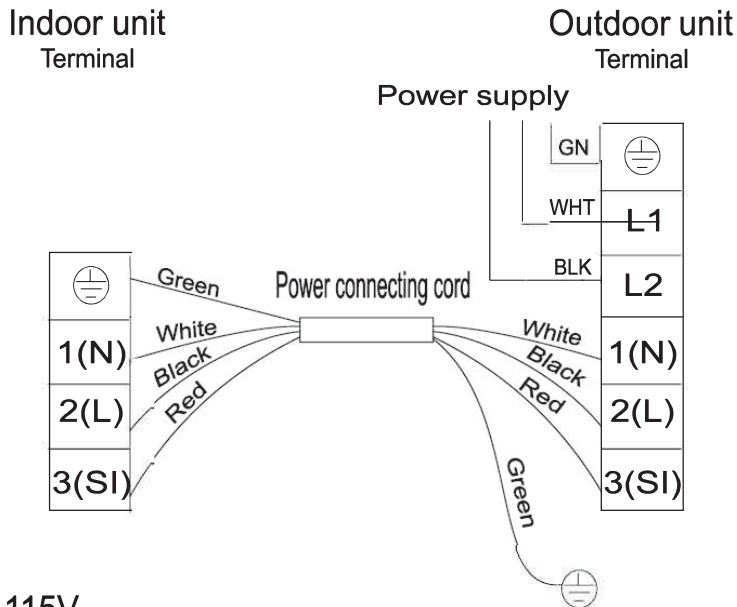
Capacity(BTU)	Outdoor unit	Indoor to Outdoor Power Wire
9K(115V)	Follow NEC code	4/14 AWG Stranded THHN
12K(115V)	Follow NEC code	4/14 AWG Stranded THHN
9K-12K(208/230V)	Follow NEC code	4/14 AWG Stranded THHN
18K(208/230V)	Follow NEC code	4/14 AWG Stranded THHN
24K-36K(208/230V)	Follow NEC code	4/14 AWG Stranded THHN

# Installation Instructions

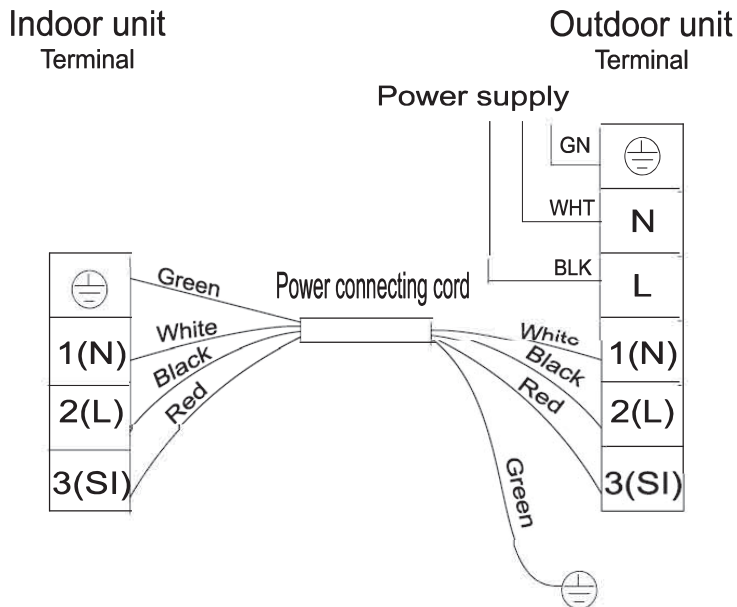
## Wiring diagram

Make sure that the color of the wires in the outdoor unit and terminal No. are the same as those of the indoor unit.

### 1) 208/230V



### 2) 115V

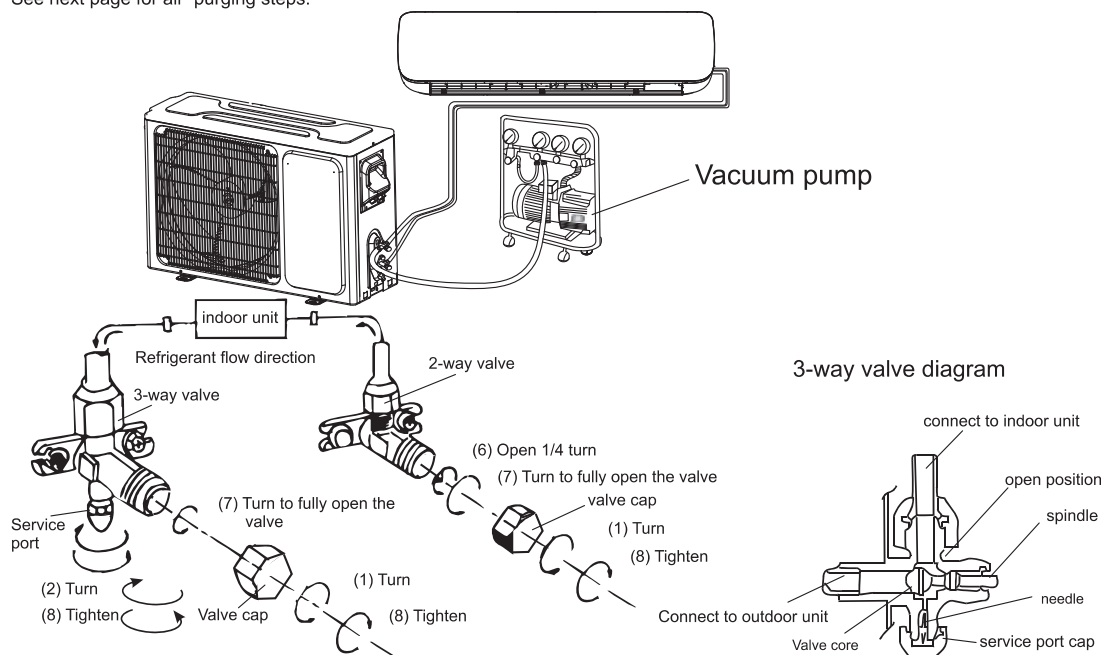


☑ The diagram is reference only, and the actual terminal shall prevail.

# Installation Instructions

## Vacuum Testing and Charging

Note: To protect the environment, be sure not to discharge the refrigerant to the air directly. See next page for air purging steps.



### How to Vacuum Air Tubes:

- (1) Unscrew and remove caps from 2 and 3-way valves.
- (2) Unscrew and remove cap from service valve.
- (3) Connect vacuum pump flexible hose to the service valve.
- (4) Start vacuum pump for 10-15 minutes until reaching a vacuum of 10 mm Hg absolutes.
- (5) With vacuum pump still running close the low pressure knob on vacuum pump manifold. Then stop the vacuum pump.
- (6) Open 2-way valve ,1/4 turn, then close it after 10 seconds. Check tightness of all joints using liquid soap or an electronic leak detector.
- (7) Turn 2 and 3-way valves stem to fully open the valves. Disconnect the flexible vacuum pump hose.
- (8) Replace and tighten all valve caps.

# **Installation Instructions**

## **Start-up**

### **Test Operation**

Perform test operation after completing gas leak and electrical safety check.

1. Turn on electrical disconnect to outdoor unit.
2. Push the "ON/OFF" button on Remote Controller to begin testing.
3. Push MODE button, select COOLING, HEATING, FAN mode to confirm all functions.

### **System Checks**

1. Conceal refrigerant pipes where possible.
2. Make sure drain hose slopes downward along entire length.
3. Ensure all refrigerant pipes and connections are properly insulated.
4. Fasten pipes to outside wall, when possible.
5. Seal and weatherproof wall hole which the interconnecting wires and refrigerant pipes pass through.

### **Indoor Unit**

1. Do all Remote controller's buttons function properly?
2. Do the display panel lights work properly?
3. Does the swing louver function properly?
4. Does the drain work?

### **Outdoor Unit**

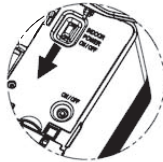
1. Push the mode button to COOL and adjust the room setting to 61 °F(16°C) deg. wait up to 3 minutes from compressor time guard. Does compressor and outdoor fan turn on in cooling mode?
2. Push the mode button to HEAT and adjust the room setting to 85 °F(30°C) deg. wait up to 3 minutes for compressor time guard. Does compressor and outdoor fan turn on in heat mode?

# Care and Maintenance

## Front panel and shell maintenance

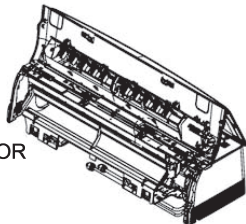
- 1 **Cut off the power supply by moving the power switch in the direction of the arrow.**

Note: Turn off the appliance first before cutting off the power supply.



- 2

Open the front panel and the front shell refer to Fig.9~Fig.12 of INDOOR UNIT INSTALLATION.



- 3 **Wipe with a soft and dry cloth.**

Use soft moisture cloth to clean if the front panel is very dirty.

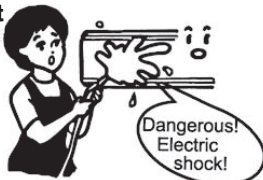


Use a dry and soft cloth to clean it.

- 4 **Never use volatile substance such as gasoline or polishing powder to clean the appliance.**

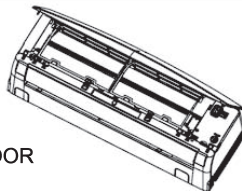


- 5 **Never sprinkle water onto the indoor unit**



- 6

Close the front panel and the front shell refer to Fig.22~Fig.26 of INDOOR UNIT INSTALLATION.



## Air filter maintenance

It is necessary to clean the air filter after using it for about 200 hours.

Clean it as follows:

- 1 **Stop the appliance and remove the air filter.**



1. Open the front panel.
2. Press the handle of the filter gently from the front.
3. Grasp the handle and slide out the filter.

- 2 **Clean and reinstall the air filter.**

If the dirt is conspicuous, wash it with a solution of detergent in lukewarm water. After cleaning, dry well in shade.



- 3 **Close the front panel again.**

- ☑ **Clean the air filter every two weeks if the air conditioner operates in an extremely dusty environment.**

# Care and Maintenance

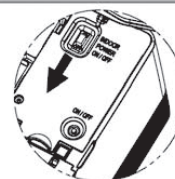
 The following is a deep cleaning and must be operated by a professional.

 Users are strictly forbidden to operate privately, otherwise they will be at their own risk.

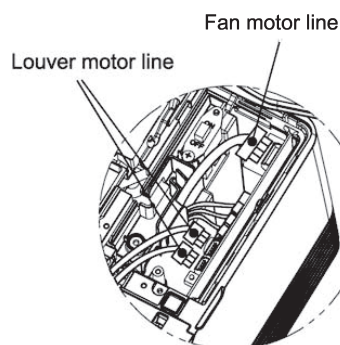
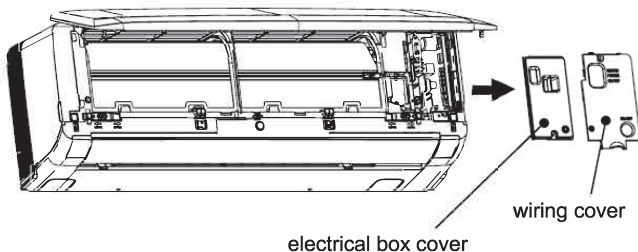
## Front shell, air duct and fan maintenance

- 1** Cut off the power supply by moving the power switch in the direction of the arrow.

Note: Turn off the appliance first before cutting off the power supply.

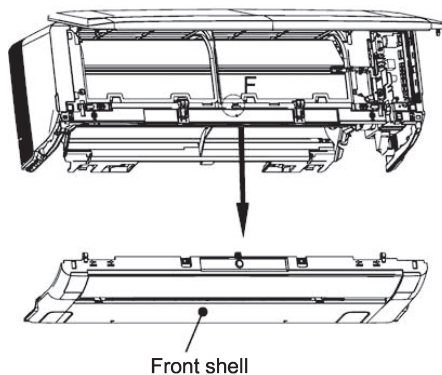
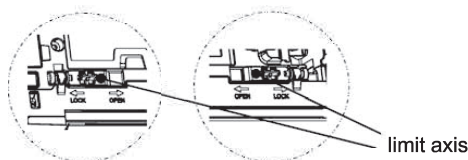


- 2** 1. Remove the wiring cover and the electrical box cover.  
2. Disconnect the fan motor line and the louver motor line.



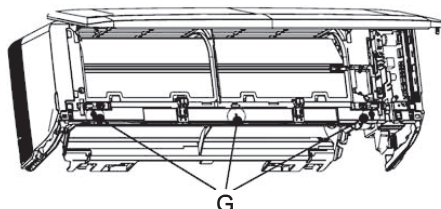
- 3** 1. Open the screw covers and remove the screws refer to Fig.10 of INDOOR UNIT INSTALLATION.  
2. Open the limit axes.  
3. Remove the front shell for cleaning.

Note: Pay attention to the limit of F position, some models have two places.  
Note: when you want to clean the front shell with clean water, you must first remove all the motors on the front shell.



- 4** Remove the screws of the air duct. (G position and H position)

Note: 808 series models do not have H position screws.



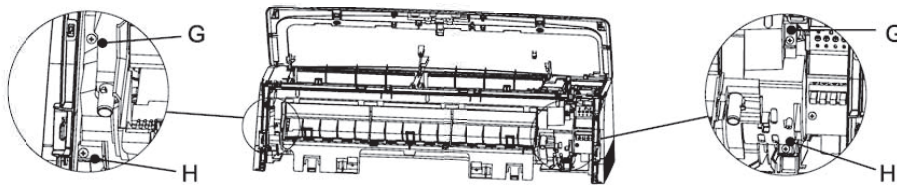
# Care and Maintenance

 The following is a deep cleaning and must be operated by a professional.

 Users are strictly forbidden to operate privately, otherwise they will be at their own risk.

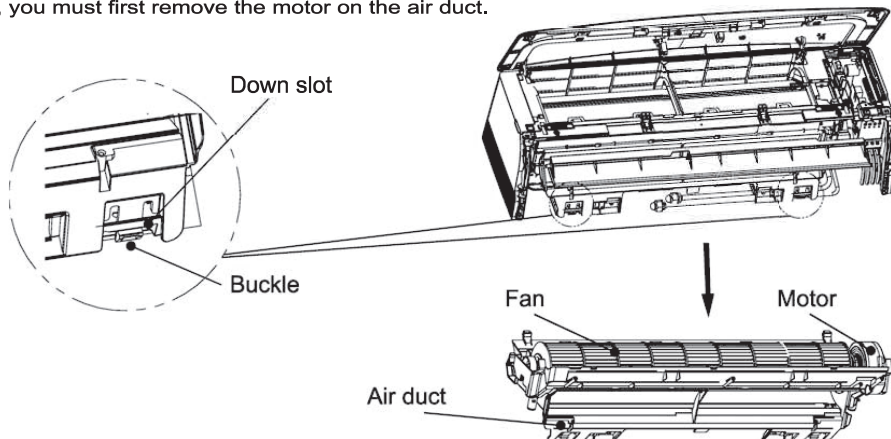
## Front shell, air duct and fan maintenance

- 4** Remove the screws of the air duct. (G position and H position)  
Note: 808 series models do not have H position screws.



- 5** 1. Press the 2 buckles of the air duct to disengage it from 2 down slots of the mounting plate.  
2. Remove the air duct.

Note: when you want to clean the air duct and the fan with clean water, you must first remove the motor on the air duct.



- 6** After cleaning, install the machine against the disassemble sequence.

Note: If the front shell, the air duct and the fan are washed with water, they must be thoroughly dried before they can be installed.

# System protection

## Operating condition

**The protective device maybe trip and stop the appliance in the cases listed below.**

HEATING	Outdoor air temperature is over 75°F(24°C)
	Outdoor air temperature is below -13°F(-25°C) Room temperature is over 80.6°F(27°C)
COOLING	Outdoor air temperature is over *115°F(46°C) Room temperature is below 70°F(21°C)
DRY	Room temperature is below 64.5°F(18°C)

## For quiet operation

- Ensure the wall bracket is installed firmly to the wall and mounted with proper anchors.
- Install the outdoor unit in an area where air discharge will be unobstructed and won't effect neighboring buildings.

## System protection

1. Compressor protection will require 3 minute reset is system if shutdown by system protection.
2. If system has stopped-cycle power at the remote to restart, if there was a timer set please set again.

## Features of HEATING mode

### Preheat

When heating operation begins unit will not open louvers until coil temperature reaches 86 °F, once coil sensor is satisfied louvers will open. This is to keep cold air from being discharged.

### Defrost

In **HEATING** operation the appliance will defrost (de-ice) automatically to raise efficiency. This procedure usually lasts 2-10 minutes. During defrosting, fans stop operation. After defrosting completes, it returns to **HEATING** mode automatically.

# Troubleshooting

Issue	Possible cause
Unit does not run	<ul style="list-style-type: none"> <li>• Check breakers to ensure they are not tripped. (If tripped please contact your local service for inspection)</li> <li>• Ensure batteries in remote control are still good.</li> </ul>
No cooling or Heating	<ul style="list-style-type: none"> <li>• Has the air filter been cleaned?</li> <li>• Is there adequate airflow to the air conditioner?</li> <li>• Adjust the set point of air conditioner</li> </ul>
System does not seem to control properly	<ul style="list-style-type: none"> <li>• The precision inverter system supplies communications between the outdoor portion of the system and indoor if Radio frequency or Electromagnetic interference is strong, system may not work properly.               <ul style="list-style-type: none"> <li>-Neon signs</li> <li>-Telecommunications equipment</li> <li>-High tension power line</li> <li>-TV interference</li> </ul> </li> </ul> <p>Can all cause the system to not work properly, if these exist in your installation please consult your installer for proper protections during installation.</p>
System does not operate when buttons are pressed	<ul style="list-style-type: none"> <li>• If modes have changed or multiple modes have changed at one time, the compressor has a 3 minute time delay which must time out before operation.</li> </ul>
Strange odor	<ul style="list-style-type: none"> <li>• Please have a licensed contractor inspect system, coils may need to be cleaned.</li> </ul>
Sound of water or gurgling noise	<ul style="list-style-type: none"> <li>• Changes in the flow of refrigerant in the cooling/heating coils can sometime be audible due to changing speeds of the compressor, this is normal.</li> <li>• If in heat pump mode system may be in defrost and water may be draining out of the unit.</li> </ul>
Clicking or cracking sound	<ul style="list-style-type: none"> <li>• This could be the plastic material expanding or contracting due to rapidly changing temperatures.</li> </ul>



**FRIEDRICH**

1 8 8 3

# Installation Manual

## DUCTLESS SPLIT SYSTEMS



Manual for the following models:

FRHSW09A3A  
FRHSW12A3A  
FPHSW09A1A  
FPHSW12A1A  
FRHSR09A3A  
FRHSR12A3A  
FPHSR09A1A  
FPHSR12A1A



ESPAÑOL

THE EXPERTS IN ROOM AIR CONDITIONING

# Contenido

---

<b>Instrucciones de seguridad</b> .....	1
<b>Preparación antes del uso</b> .....	3
Preajuste .....	3
Proteger el entorno .....	3
<b>Precauciones de seguridad</b> .....	4
<b>Instrucciones de instalación</b> .....	5
Diagrama de instalación .....	5
Herramientas sugeridas .....	6
Instrucciones del sitio .....	7
Instalación de la unidad interior .....	8
Instalación de la unidad exterior .....	16
Alimentación y cableado .....	18
Prueba de aspiración y carga .....	20
Puesta en marcha .....	21
<b>Cuidado y mantenimiento</b> .....	22
<b>Protección</b> .....	25
<b>Consejos de ahorro de energía</b> .....	26
<b>Resolución de problemas</b> .....	27
<b>Identificación de piezas</b> .....	28
Unidad interior.....	28
Unidad exterior .....	28
<b>Introducción a la pantalla</b> .....	29

***Instrucciones de funcionamiento del mando a distancia Consulte "Instrucciones del mando a distancia".***

## Instrucciones de seguridad

- 1. Para garantizar que la unidad funcione con normalidad, lea atentamente el manual antes de realizar la instalación y realícela en estricta conformidad con este manual.
- 2. No deje que entre aire en el sistema de refrigeración o descargue el refrigerante cuando traslade el climatizador.
- 3. Conecte adecuadamente el climatizador a tierra.
- 4. Compruebe detenidamente los cables de conexión y las tuberías, y asegúrese de que las conexiones sean correctas y firmes antes de conectar la alimentación del climatizador.
- 5. Debe disponer de un interruptor neumático.
- 6. Después de la instalación, el consumidor debe operar correctamente el climatizador en conformidad con este manual, disponer de material de almacenamiento adecuado para realizar el mantenimiento y el traslado del climatizador en el futuro.
- 7. Fusible de la unidad:

Modelo	Fusible de la unidad interior	Fusible de la unidad exterior
9K(115V)	T 3.15A o T 5A 250V	T 20A 250V
12K(115V)	T 3.15A o T 5A 250V	T 25A 250V
9K-12K(208/230V)	T 3.15A o T 5A 250V	T 15A 250V
18K(208/230V)	T 3.15A o T 5A 250V	T 20A 250V
24K-36K(208/230V)	T 3.15A o T 5A 250V	T 30A 250V

- 8. Se debe incorporar un dispositivo de corriente residual (RCD) con una potencia superior a 10 mA en el cableado fijo en conformidad con la normativa nacional.
- 9. Advertencia: Riesgo de descarga eléctrica que podría causar lesiones o muerte: Desconecte toda alimentación eléctrica remota antes de revisar el aparato.
- 10. La longitud óptima de la tubería de conexión entre la unidad interior y la unidad exterior es de menos de 7,5 metros (24,6 pies). Si la distancia es mayor, afectará a la eficacia del climatizador.
- 11. Este aparato no ha sido diseñado para que lo utilicen personas (incluidos niños) con capacidades físicas, sensoriales o mentales reducidas, o con falta de experiencia o conocimientos, a menos que estén supervisados o reciban instrucciones acerca del uso del aparato por parte de una persona responsable de su seguridad. Los niños deben estar supervisados para garantizar que no jueguen con el aparato.
- 12. Este aparato puede ser utilizado por niños mayores de 8 años y por personas con capacidades físicas, sensoriales o mentales reducidas o falta de experiencia y conocimientos si están supervisados o han recibido instrucciones relativas al uso del aparato de forma segura y si comprender los riesgos asociados. Los niños no deben jugar con el aparato. La limpieza y el mantenimiento no deben realizarlos niños sin supervisión.
- 13. Las pilas del mando a distancia deben reciclarse o eliminarse adecuadamente. Eliminación de las pilas usadas: deseche las pilas como residuos municipales clasificados en un punto de recogida accesible.

## ***Instrucciones de seguridad***

---

- 14. Si el aparato tiene cableado fijo, debe disponer de un medio de desconexión de la alimentación eléctrica con una separación del contacto en todos los polos que proporcione una desconexión completa en condiciones de sobretensión de categoría III y dichos medios deben estar incorporados en el cableado fijo de acuerdo con las normas de cableado.
- 15. Si el cable de alimentación está dañado, debe sustituirlo el fabricante, su agente de mantenimiento o personas cualificadas similares para evitar riesgos.
- 16. El aparato debe instalarse en conformidad con la normativa de seguridad eléctrica local y el National Electric Code (NEC).
- 17. La instalación del climatizador debe realizarla una persona profesional o cualificada.
- 18. No debe instalarse el aparato en una lavandería.
- 19. Para ver más información acerca de la instalación, consulte la sección “Instrucciones de la instalación”.
- 20. Para ver más información acerca del mantenimiento, consulte la sección “Cuidado y mantenimiento”.

## Preparación antes del uso

### Nota

- Cuando cargue refrigerante en el sistema, asegúrese de que que esté en estado líquido si el refrigerante del aparato es R410A. De lo contrario, la composición química del refrigerante (R410A) en el interior del sistema podría cambiar y afectar al rendimiento del climatizador.
- De acuerdo con el carácter del refrigerante (R410A, el valor de GWP es 2088), la presión del tubo es muy elevada, así que sea cauteloso cuando instale y repare el aparato.
- Si el cable de alimentación está dañado, debe sustituirlo el fabricante, su agente de mantenimiento o personas cualificadas similares para evitar riesgos.
- Solo instaladores y mecánicos de servicio cualificados y formados deben instalar el climatizador.
- La temperatura del circuito de refrigerante será alta, mantenga el cable de conexión de las unidades apartado de las tuberías de cobre.

### Preajuste

Antes de utilizar el climatizador, compruebe y realice el preajuste de los siguientes elementos.

#### • **Preajuste del mando a distancia**

Cada vez que se sustituyan las pilas del mando a distancia o se cargue, el mando a distancia se ajusta automáticamente en bomba de calor. Si el climatizador que ha comprado es solo de enfriamiento, también puede usar el mando a distancia de uno de bomba de calor.

#### • **Función de retroiluminación del mando a distancia (opcional)**

Mantenga pulsado cualquier botón del mando a distancia para activar la retroiluminación. Se apagará automáticamente 10 segundos después.

*Nota: La retroiluminación es una función opcional.*

#### • **Preajuste de reinicio automático**

El climatizador tiene una opción de reinicio automático.

### Proteger el entorno

Este aparato está fabricado con materiales reciclables o reutilizables. El desguace del mismo debe realizarse siguiendo las normativas locales de eliminación de residuos. Antes de desguazarlo, asegúrese de cortar los cables eléctricos de forma que no pueda reutilizarse el aparato. Para obtener información más detallada de la manipulación y el reciclaje de este producto, póngase en contacto con las autoridades locales que gestionen la recogida separada de residuos o con la tienda donde compró el aparato.





#### DESGUACE DEL APARATO



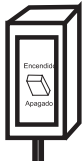











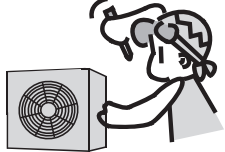










Esta marca indica que no se debe eliminar el producto con otros residuos doméstico en la UE. Para evitar posibles daños al medio ambiente o a la salud debidos a la eliminación descontrolada de residuos, reciclelo de forma responsable para fomentar la reutilización sostenible de los recursos materiales. Para devolver su dispositivo usado, utilice los sistemas de devolución y recogida o póngase en contacto con el distribuidor donde compró el producto. Ellos pueden hacerse cargo del producto para reciclarlo de forma segura para el medio ambiente.



## Precauciones de seguridad

Los símbolos de este manual de uso y mantenimiento se interpretan de la siguiente manera.

-  No hacer bajo ningún concepto.
-  La conexión a tierra es fundamental.
-  Preste atención a esta situación.
-  Advertencia: Una manipulación incorrecta puede provocar riesgos graves, como muerte, lesiones graves, etc.

<p>Utilice una alimentación eléctrica que se corresponda con el requisito nominal del equipo. De lo contrario, podrían ocurrir fallos graves o un incendio.</p>	   <p>Evite que el interruptor o el enchufe de alimentación eléctrica se ensucien. Conecte el cable eléctrico con firmeza y correctamente, ya que podría provocar descargas eléctricas o incendios por un contacto insuficiente.</p>	   <p>No utilice el interruptor de la alimentación eléctrica ni estire del enchufe para apagarlo durante el funcionamiento. Esto podría provocar un incendio causado por chispas, etc.</p>
  <p>No doble, estire ni aplaste el cable eléctrico, ya que podría romperse. Los cables eléctricos rotos podrían provocar una descarga eléctrica o un incendio.</p>	  <p>Nunca inserte palos ni objetos similares en la unidad. Debido a la alta velocidad de giro de los ventiladores, podría causar lesiones.</p>	  <p>Estar expuesto al aire frío durante mucho tiempo es perjudicial para la salud. Se recomienda permitir que el flujo de aire se distribuya por toda la habitación.</p>
  <p>Primero apague el aparato con el mando a distancia antes de desconectar la alimentación eléctrica si hubiera un mal funcionamiento.</p>	  <p>No repare el aparato usted mismo. Si se hace de forma incorrecta, podría provocar una descarga eléctrica, etc.</p>	  <p>Evite que el flujo de aire llegue a los quemadores de gas y a la estufa.</p>
  <p>No toque los botones de funcionamiento con las manos mojadas.</p>	  <p>No coloque objetos en la unidad exterior.</p>	   <p>Es responsabilidad del usuario asegurarse de que un técnico cualificado realice la conexión a tierra del aparato en conformidad con los códigos u ordenanzas locales.</p>



# Instrucciones de instalación

## Herramientas sugeridas

Para instalar el climatizador de forma más conveniente y segura, puede utilizar las herramientas especiales descritas a continuación.



Llave inglesa estándar



Destornillador

Llaves hexagonales o llaves Allen



Llave ajustable/llave de media luna



Llave dinamométrica



Taladro y brocas de taladro



Colector y manómetros



Bomba de vacío



Pinza amperimétrica

Nivel

Guantes de trabajo

Gafas de seguridad

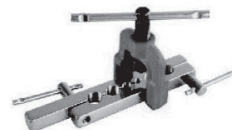
Cortador de tuberías

Escala de refrigerante

Herramienta de ensanchamiento R410A

Indicador de micras

Sierra perforadora



# Instrucciones de instalación

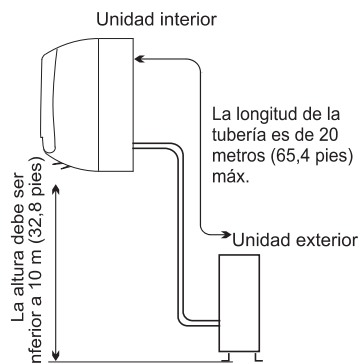
## Instrucciones del sitio

### Lugar de instalación de la unidad interior:

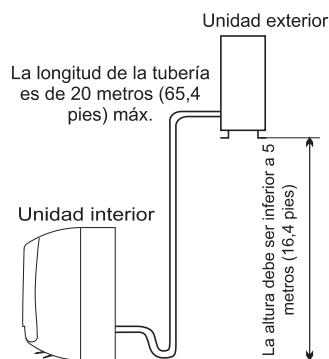
- Donde no haya obstáculos cerca de la salida de aire y el aire pueda llegar fácilmente a todos los rincones.
- Donde pueda realizarse fácilmente un orificio en la pared.
- Mantenga la separación requerida desde la unidad hasta el techo y la pared de acuerdo con el diagrama de instalación de la página anterior.
- Donde el filtro de aire pueda sustituirse fácilmente.
- Mantenga la unidad y el mando a 1 m (3,28 pies) de distancia o más respecto a televisores, radios, etc.
- Tan alejada como sea posible de lámparas fluorescentes.
- No coloque nada cerca de la entrada de aire que obstruya la absorción de aire.
- Instálela en una pared lo bastante fuerte para soportar el peso de la unidad.
- Instálela en un lugar que no incremente el ruido y las vibraciones del funcionamiento.
- Manténgala apartada de la luz solar directa y de fuentes de calor. No coloque materiales inflamables ni aparatos de combustión sobre la unidad.

### Lugar de instalación de la unidad exterior:

- Donde la instalación sea cómoda y esté bien ventilada.
- Evite instalarla en un lugar donde pueda haber fugas de gases inflamables.
- Mantenga la distancia requerida respecto a la pared.
- Mantenga la unidad exterior apartada de salidas de gases de vulcanización, suciedad y grasa.
- Evite instalarla cerca de lugares donde podría haber agua con barro.
- Una base fija donde no pueda incrementarse el ruido del funcionamiento.
- Donde la salida de aire no esté obstruida.
- Evite instalarla bajo la luz solar directa, en un pasillo o lugar de paso, o cerca de fuentes de calor o ventiladores. Manténgala apartada de materiales inflamables, niebla de aceite espesa y lugares húmedos o irregulares.
- Si la longitud de la tubería es mayor de 7,5 m (24,6 pies), debe cargarse refrigerante adicional según se indica en la tabla siguiente.



La unidad interior debe estar más elevada que la unidad exterior.



La unidad exterior está más elevada que la unidad interior

Modelo	Cantidad requerida de refrigerante adicional (g/m)
9K-18K	20
24K	30
30K-36K	40

Si la altura o la longitud de la tubería no se encuentran en la tabla, consulte con el distribuidor.

# Instrucciones de instalación

## Instalación de la unidad interior

### 1. Instalación de la placa de montaje

- 1) Decida una ubicación de instalación para la placa de montaje conforme a la ubicación de la unidad interior y la dirección de la tubería.
- 2) Encuentre el centro de la placa de montaje mirando la marca que hay en ella. A continuación, inserte un tornillo para fijarla temporalmente.
- 3) Mantenga la placa de montaje horizontal con una regla.
- 4) Taladre orificios de 32 mm de profundidad en la pared para fijar la placa.
- 5) Fije la placa de montaje con al menos 7 tornillos autorroscantes. En algunas placas de montaje con soporte en el centro, se necesitan al menos 8 tornillos (Fig. 1).
- 6) Compruebe si la placa de montaje está bien fijada. A continuación, taladre un orificio para la tubería.

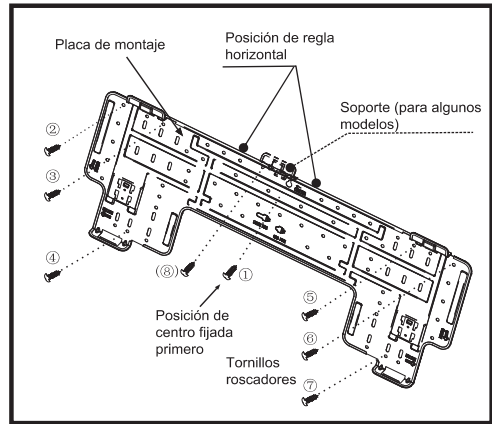


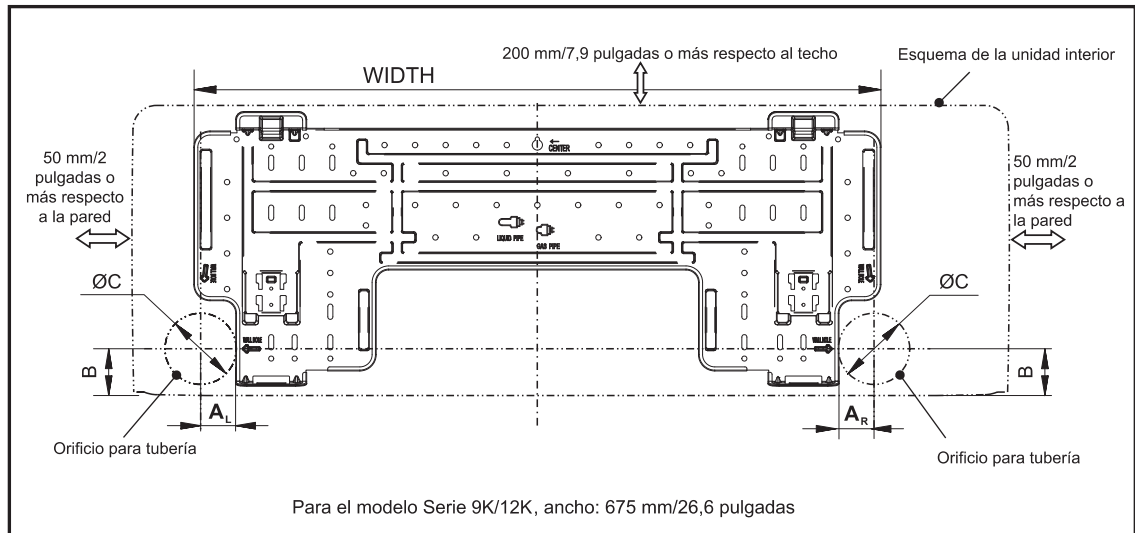
Fig. 1

**Nota:** Se recomienda instalar tornillos de anclaje para paneles de yeso, bloques de hormigón, ladrillos y tipos similares de paredes.

**Nota:** El centro del soporte de montaje no debe ser el centro de la unidad interior.

**Nota:** La forma de su placa de montaje podría ser diferente a la mostrada aquí, pero el método de instalación es similar.

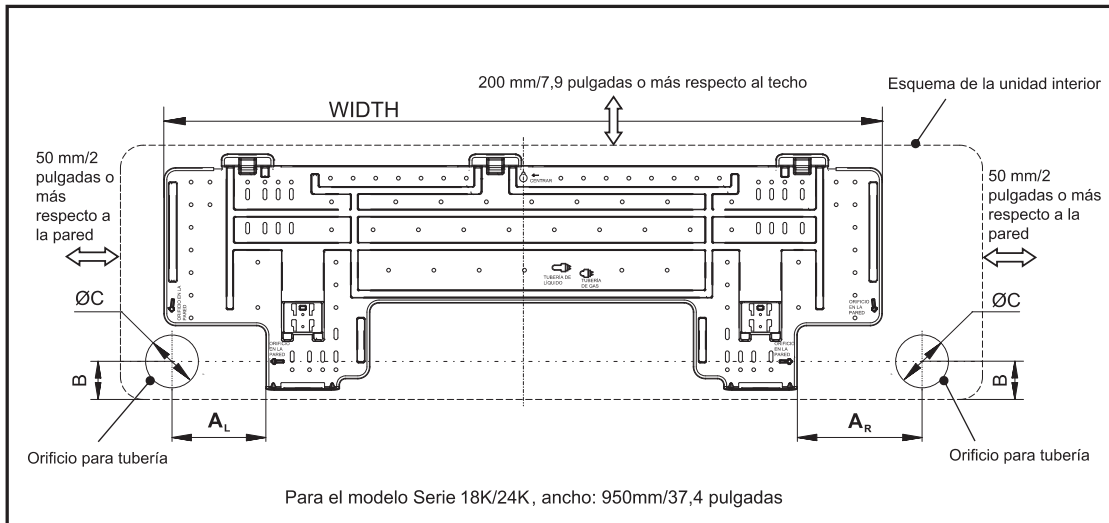
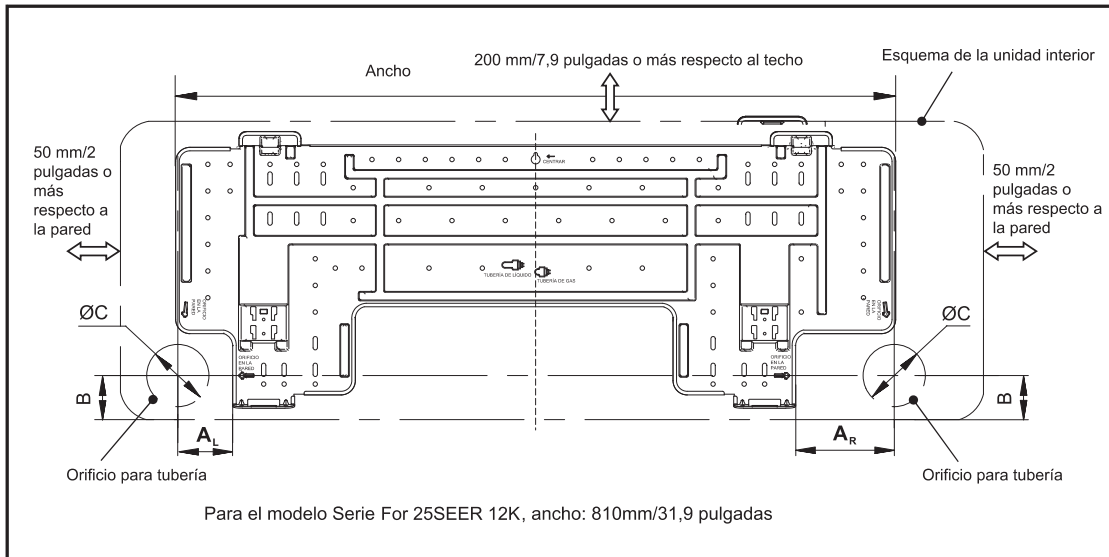
### • DIAGRAMA Y DIMENSIONES DE LA PLACA DE MONTAJE (recomendados)



# Instrucciones de instalación

## Instalación de la unidad interior

### • DIAGRAMA Y DIMENSIONES DE LA PLACA DE MONTAJE (recomendados)



# Instrucciones de instalación

## Instalación de la unidad interior

**Tabla de tamaño de orificio de montaje en pared por dimensiones de unidad**

Modelo de unidad	Tamaño AL	Tamaño AR	Tamaño B	Tamaño C
	mm/pulgadas	mm/pulgadas	mm/pulgadas	mm/pulgadas
Serie 808	35/1.38	35/1.38	46/1.81	70/2.7
Serie 908	62/2.44	110/4.33	49/1.93	70/2.7
Serie 1080	124/4.88	165/6.50	50/1.97	70/2.7

### 2. Taladre un orificio para la tubería

- 1) Decida la posición del orificio para la tubería según la ubicación de la placa de montaje.
- 2) Taladre un orificio en la pared. El orificio debe tener una ligera pendiente descendente hacia el exterior.
- 3) Instale una funda a través del orificio de la pared para mantener la pared limpia. (Fig. 2)

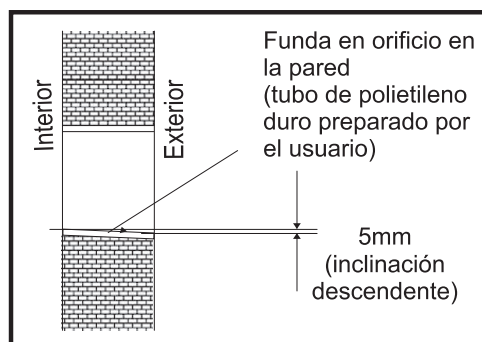


Fig. 2

### 3. Disposición de las tuberías

- 1) Pase las tuberías (de líquido y de gas) y los cables por el orificio de la pared desde fuera o páselos desde dentro después de completar la conexión de la tubería interior y los cables para conectar la unidad exterior.
- 2) Decida si desea cortar la pieza de descarga conforme a la dirección de las tuberías. (Fig. 3)

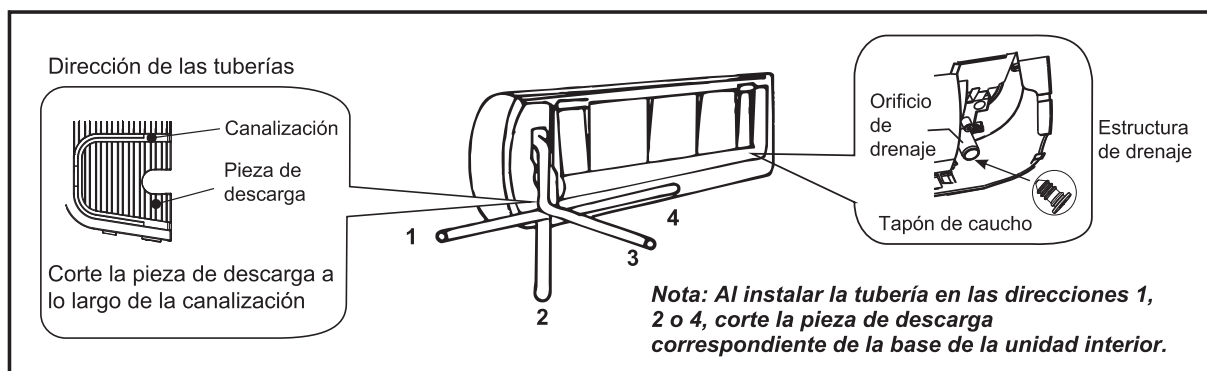


Fig. 3

# Instrucciones de instalación

## Instalación de la unidad interior

**Nota:** La estructura de drenaje de ambos lados es estándar. Puede elegirse conectar el drenaje en el lado derecho, izquierdo o a ambos lados. Si elige conectar el drenaje a ambos lados, será necesaria otra manguera de drenaje adecuada ya que solo se incluye una manguera de drenaje de fábrica. Si elige conectar el drenaje en un lado, asegúrese de que el orificio de drenaje del otro lado esté bien taponado.

- Pase las tuberías (de líquido y de gas) y los cables a través del orificio de la pared desde el exterior.
  - 1) Corte la tubería de líquido y la tubería de gas a la longitud correcta según la marca de posición de la placa de montaje en pared (Fig. 4). Compruebe que el corte sea plano (Fig. 5).

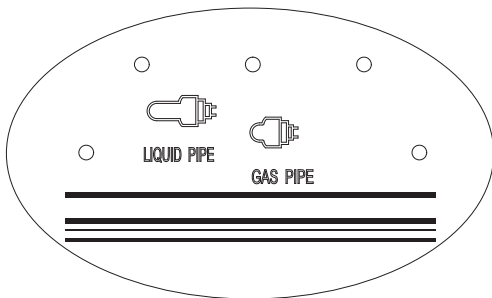


Fig. 4

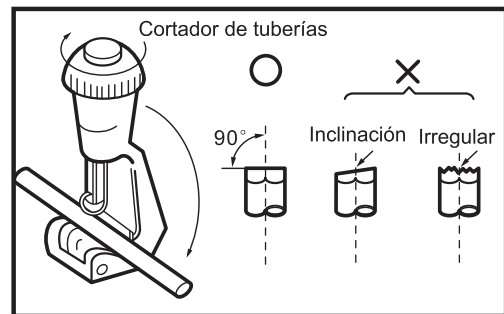


Fig. 5

- 2) Elimine la rebaba de los bordes cortados. Mantenga la salida de la tubería hacia abajo para evitar que entre polvo de metal en la tubería (Fig. 6).
- 3) Ensanche las tuberías. Inserte la salida de la tubería en la tuerca de cobre antes de ensanchar la tubería. Asegúrese de que el orificio esté plano con una superficie saneada y un grosor uniforme. (Fig. 7)

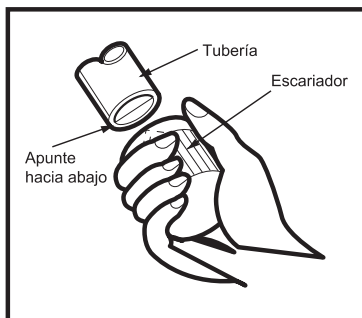


Fig. 6

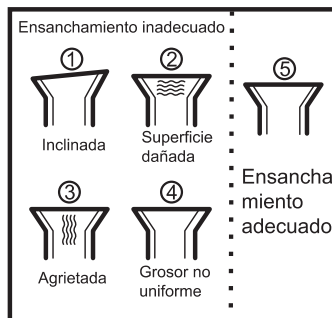


Fig. 7

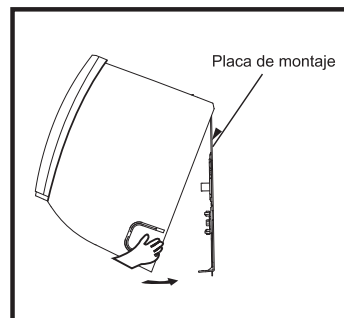


Fig. 8

## 4. Instalación de las tuberías de la unidad interior

- 1) Cuelgue la unidad en la placa de montaje (Fig. 8).

# Instrucciones de instalación

## Instalación de la unidad interior

- 2) En la posición A, abra el panel frontal como se muestra en la Fig. 9.
- 3) En la posición B, abra las tapas de los tornillos como se muestra en la Fig. 10 y retire los tornillos.  
(Nota: En algunos modelos deberá retirar 3 tornillos.)
- 4) En la posición C, abra la carcasa frontal como se muestra en la Fig. 11. Después, en la posición D, empuje los amortiguadores para evitar que la carcasa frontal caiga, como se muestra en la Fig. 12.

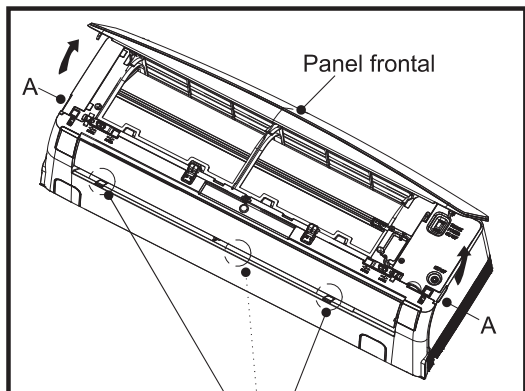


Fig. 9



Fig. 11

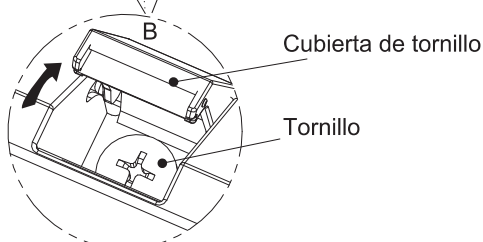


Fig. 10

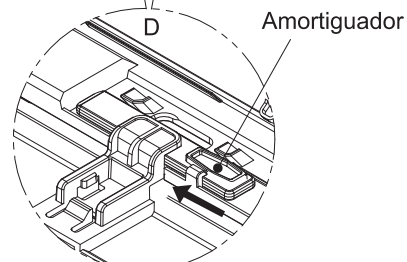


Fig. 12

- 5) Utilice la placa de soporte para mover la unidad paso a paso hasta llegar a la mejor ubicación (Fig. 13 y Fig. 14).

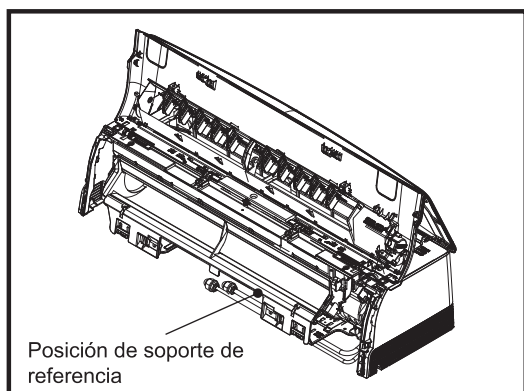


Fig. 13

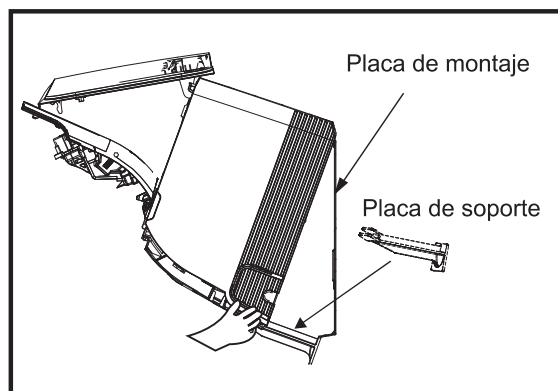


Fig. 14

**Nota:** Las cifras de este manual podrían diferir de las del climatizador que haya seleccionado.

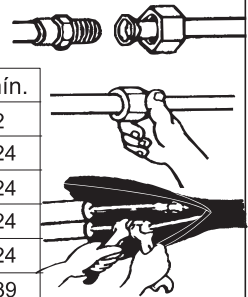
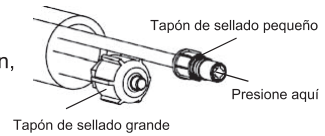
# Instrucciones de instalación

## Instalación de la unidad interior

### 6) Conecte las tuberías.

Conexión de la tubería:

- Antes de desatornillar los tapones de sellado grande y pequeño, presione el tapón de sellado con el dedo hasta que el ruido de salida pare y, a continuación, suelte el dedo.
  - Conecte las tuberías de la unidad interior con dos llaves. Preste especial atención al par permitido mostrado a continuación para evitar que las tuberías, los conectores y las tuercas cónicas se deformen y resulten dañadas.
  - Apriételas previamente con los dedos primero y después utilice las llaves.
- ☑ Si no escucha el ruido de salida, póngase en contacto con el distribuidor.



Modelo	Tamaño de la tubería	Par	Ancho de tuerca	Grosor mín.
9K-18K	Lado del líquido ( $\varnothing 6$ o 1/4)	15~20N·m o 11~15pies-libras	17 o 5/8	0.5 o 0.02
24K-36K	Lado del líquido ( $\varnothing 9.53$ o 3/8)	30~35N·m o 22~26pies-libras	22 o 7/8	0.6 o 0.024
9K-12K	Lado del gas ( $\varnothing 9.53$ o 3/8)	30~35N·m o 22~26pies-libras	22 o 7/8	0.6 o 0.024
18K	Lado del gas ( $\varnothing 12$ o 1/2)	50~55N·m o 37~41pies-libras	24 o 0.94	0.6 o 0.024
24K-36K	Lado del gas ( $\varnothing 16$ o 5/8)	60~65N·m o 44~48pies-libras	27 o 1.1	0.6 o 0.024
36K	Lado del gas ( $\varnothing 19$ o 3/4)	70~75N·m o 52~55pies-libras	32 o 1.26	1.0 o 0.039

**NOTA:** Las dimensiones son en "mm o pulgadas" a menos que se indique de otro modo en la tabla.

- 7) Después de conectar las tuberías según sea necesario, instale la manguera de drenaje. A continuación, conecte los cables eléctricos. Después de conectarlos, envuelva las tuberías, los cables y la manguera de drenaje con materiales de aislamiento térmico (Fig. 15-Fig. 17).

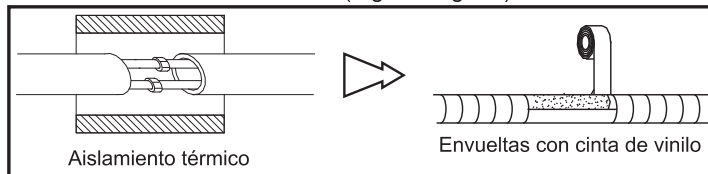


Fig. 15

**Nota:** Envuelva las juntas de las tuberías con materiales de aislamiento térmico y después envuélvalas con cinta de vinilo.

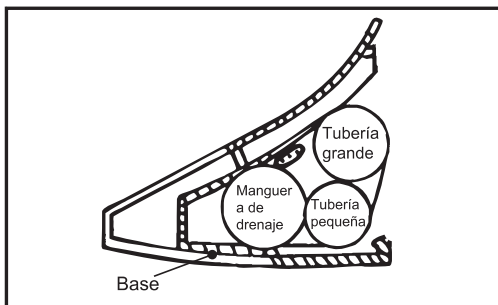


Fig. 16

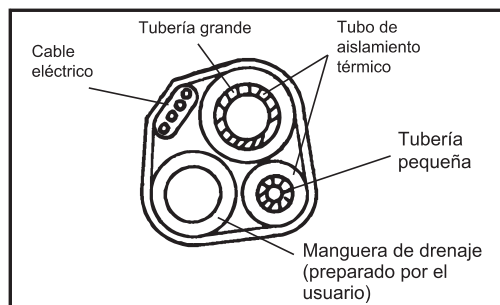


Fig. 17

**Nota:** Coloque la manguera de drenaje bajo las tuberías.

**Nota:** El material de aislamiento utiliza espuma de polietileno de más de 6 mm de grosor.

**Nota:** El usuario prepara la manguera de drenaje.

**Nota:** Las cifras de este manual podrían diferir de las del climatizador que haya seleccionado.

# Instrucciones de instalación

## Instalación de la unidad interior

8) Conecte el cable de alimentación eléctrica (Fig. 18).

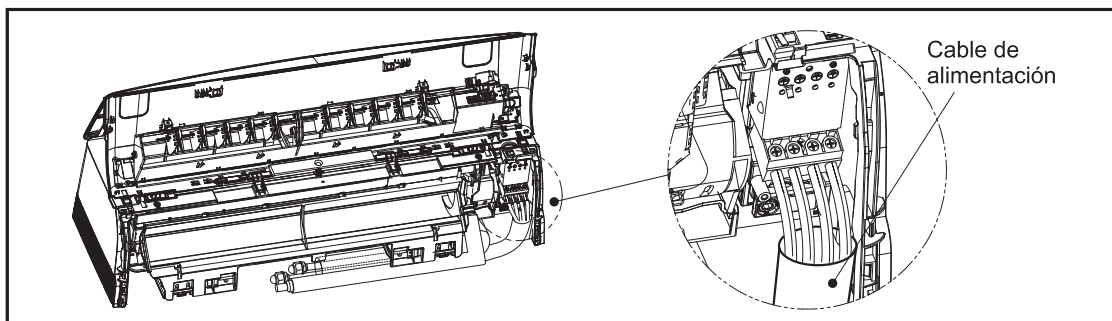


Fig. 18

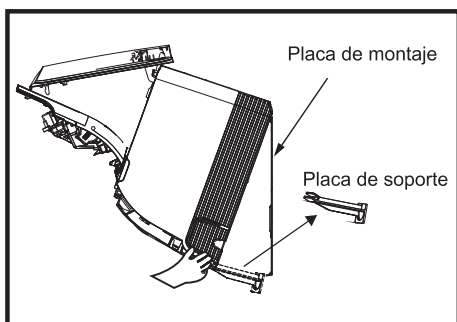


Fig. 19

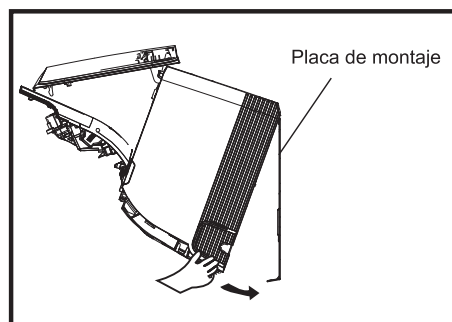


Fig. 20

9) Retire la placa de soporte como se muestra en la Fig. 19. A continuación, mueva la unidad paso a paso para conseguir la mejor instalación y, después, presione las 2 hebillas del conducto de aire en las 2 ranuras de la placa de montaje

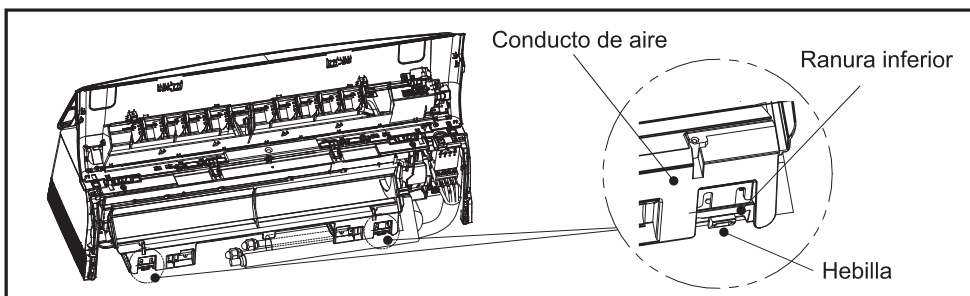


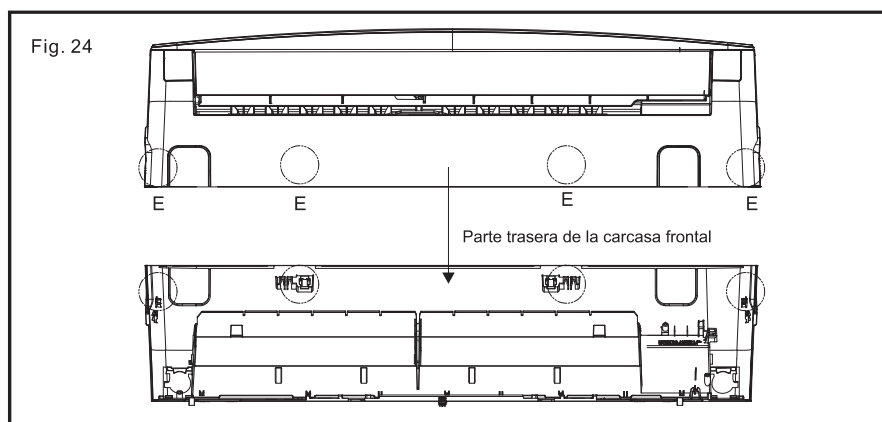
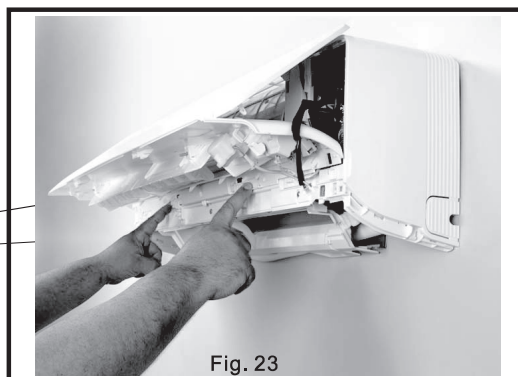
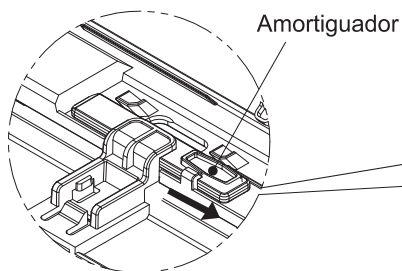
Fig. 21

**Nota:** Las cifras de este manual podrían diferir de las del climatizador que haya seleccionado.

# Instrucciones de instalación

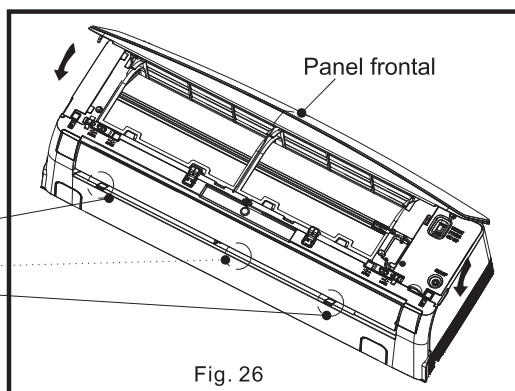
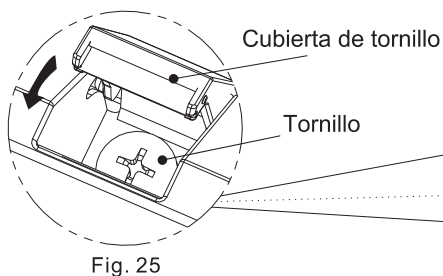
## Instalación de la unidad interior

- 10) Estire de los amortiguadores como se muestra en la Fig. 22. Cierre la carcasa frontal como se muestra en la Fig. 23. A continuación, presione la posición E para apretar la carcasa frontal como se muestra en la Fig. 24.



- 11) Instale los tornillos y cierre las tapas de los tornillos como se muestra en la Fig. 25. (Nota: En algunos modelos deberá instalar 3 tornillos.

- 12) Cierre el panel frontal como se muestra en la Fig. 26.



**Nota:** Las cifras de este manual podrían diferir de las del climatizador que haya seleccionado.

# Instrucciones de instalación

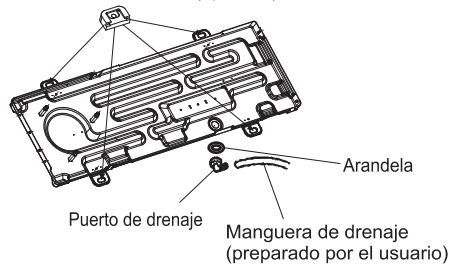
## Instalación de la unidad exterior

### 1. Instalación del desagüe de condensación de la unidad exterior

La condensación se drena desde la unidad exterior cuando la unidad funciona en modo de calentamiento. Para no molestar a sus vecinos y proteger el medio ambiente, instale un puerto de desagüe y una manguera de desagüe para dirigir el agua condensada. Solo debe instalar el puerto de drenaje y la arandela de caucho en el chasis de la unidad exterior y, a continuación, conectar una manguera de desagüe al puerto como muestra la figura de la derecha.

Coloque bajo el pedestal de la pata

Almohadilla de caucho (opcional)



### 2. Instalación de la almohadilla de suelo o de los ganchos de pared

1. Decida la ubicación adecuada para la unidad exterior.
  2. Siga todas las instrucciones proporcionadas por el fabricante para instalar los ganchos de pared y la almohadilla de caucho.
  3. Compruebe que los ganchos de pared o la almohadilla de caucho puedan soportar de forma segura el peso de la unidad exterior.
  4. Compruebe que los ganchos de pared o la almohadilla de caucho estén nivelados y respeten la separación dimensional exterior.
  5. Fije bien con tornillos y tuercas sobre una puerta plana y sólida.
- Si la instala en la pared o el tejado, asegúrese de fijar el soporte bien para evitar que se sacuda por las vibraciones o vientos fuertes.

## **ADVERTENCIA**

Los requisitos de carga por vientos de Florida indican que la unidad exterior debe estar anclada a hormigón utilizando anclajes de cuña (o equivalentes) de 3/8 pulgadas de diámetro con arandelas grandes de 1 pulgada de diámetro. Los tornillos de anclaje deben estar insertados en hormigón de 3000 psi como mínima a una distancia de 4 1/2 pulgadas de las cuñas de hormigón. El grosor del hormigón debe ser 1,5 veces la profundidad del anclaje.

# Instrucciones de instalación

## 3. Conexiones de tuberías a la unidad exterior

- Retire la cubierta de la válvula de servicio (si hubiera) para acceder a las válvulas de servicio y los puertos de refrigerante.
- Doble cuidadosamente y ajuste la longitud de las tuberías de refrigerante para ajustarlas a la conexión de las válvulas de servicio de la unidad exterior con herramientas adecuadas para evitar retorceduras.
- Aplique una pequeña cantidad de aceite refrigerante en la conexión ensanchada de la tubería de refrigerante.
- Alinee adecuadamente las tuberías y apriete la tuerca cónica utilizando una llave estándar y un torquímetro como se muestra en la sección de las tuberías interiores.
- Apriete cuidadosamente las tuercas cónicas con el nivel de par correcto consultando la siguiente tabla de par:

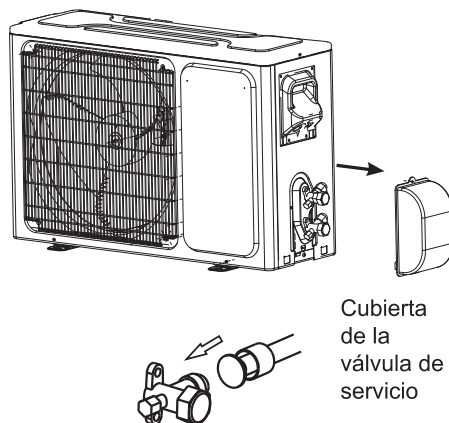


Tabla de par

Diámetro de tubería/ pulgadas (mm)	Tamaño de tuerca/pulgadas (mm)	Par de apriete	
		ft-lbs	N-m
1/4(6.35)	1/4(17)	11 a 15	15 a 20
3/8(9.5)	3/8(22)	22 a 26	30 a 35
1/2(12.7)	1/2(25)	37 a 41	50 a 55
5/8(15.9)	5/8(29)	44 a 48	60 a 65
3/4(19)	3/4(32)	52 a 55	70 a 75

**Nota: Apretar en exceso podría dañar las conexiones y provocar fugas.**

# Instrucciones de instalación

## Alimentación y cableado

### Conectar el cable

- Unidad interior
 

Conecte el cable eléctrico con la unidad interior conectando individualmente los cables a los terminales del panel de control siguiendo la conexión de la unidad exterior.
- Unidad exterior
  - 1) Retire el panel de los cables de la unidad aflojando el tornillo. Conecte individualmente los cables a los terminales del panel de control como se muestra a continuación.
  - 2) Fije el cable de conexión eléctrica al panel de control con una abrazadera de cables.
  - 3) Vuelva a instalar el panel de los cables de la unidad en la posición original con el tornillo.
  - 4) Utilice un interruptor reconocido entre la fuente de alimentación y la unidad. Se debe instalar un dispositivo de desconexión para desconectar adecuadamente todas las líneas de suministro.

### Precaución:

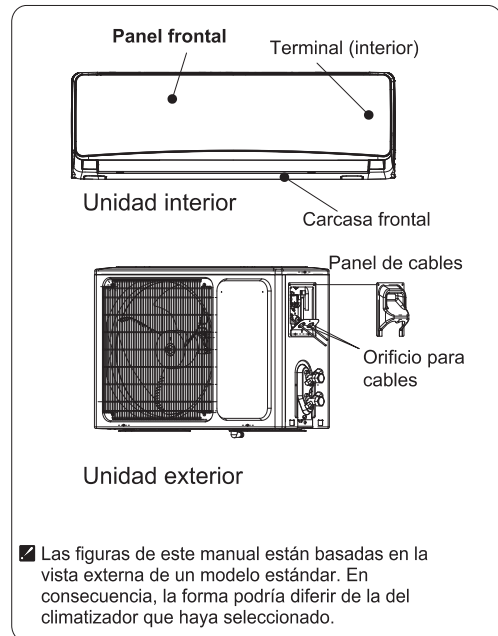
1. Utilice siempre un circuito eléctrico individual para el climatizador. Igual que para el método de cableado, consulte el diagrama del circuito incluido en el interior de la puerta de acceso.
2. Confirme que el grosor del cable sea el especificado en la especificación de la fuente de alimentación.
3. Compruebe los cables y asegúrese de que estén ajustados con firmeza después de conectarlos.
4. Asegúrese de instalar un interruptor para fugas de tierra en una zona mojada o húmeda.

### Especificación de los cables

Capacidad (Btuh)	Cable eléctrico		Cable de alimentación	
	Tipo	Áreas transversales normales	Tipo	Áreas transversales normales
9K-12K(208/230V)	SJ TW	3X16 AWG	SJ TW	4X14 AWG
18K(208/230V)	SJ TW	3X14 AWG	SJ TW	4X14 AWG
24K-36K(208/230V)	SJ TW	3X12 AWG	SJ TW	4X14 AWG
9K,12K(115V)	SJ TW	3X14 AWG	SJ TW	4X14 AWG

### Atención:

El enchufe debe estar accesible incluso después de instalar el aparato en caso de que sea necesario desconectarlo. Si no fuera posible, conecte el aparato a un dispositivo interruptor de dos polos con una separación de contacto de al menos 3 mm colocado en una posición accesible incluso después de la instalación.



# Instrucciones de instalación

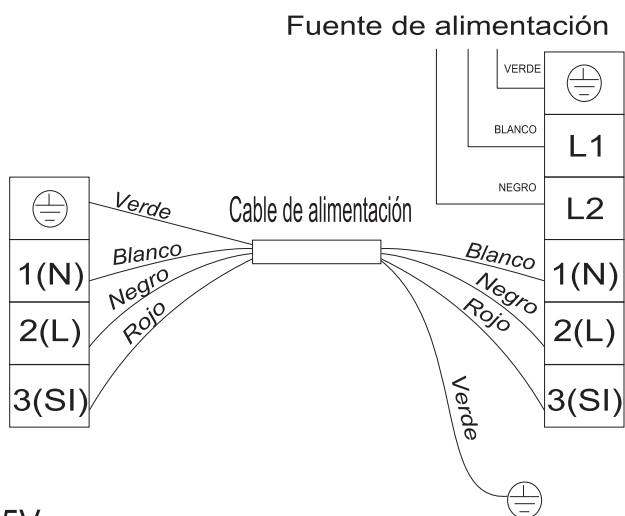
## Diagrama de cableado

Asegúrese de que el color de los cables de la unidad exterior y el n.º de terminal sean iguales que los de la unidad interior.

### 1) 208/230V

Terminal de la unidad interior

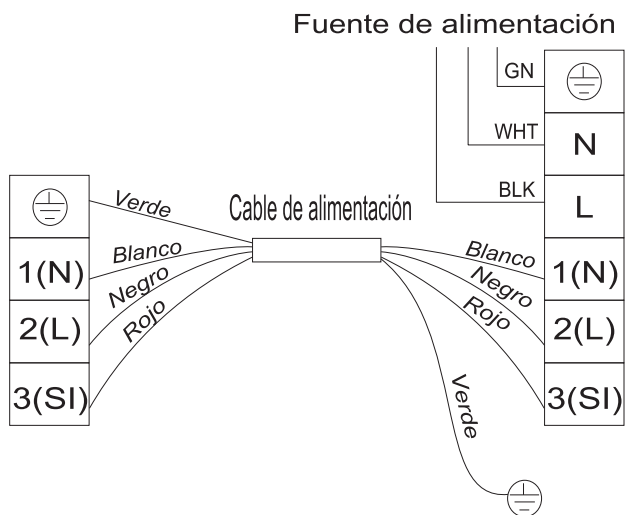
Terminal de la unidad exterior



### 2) 115V

Terminal de la unidad interior

Terminal de la unidad exterior



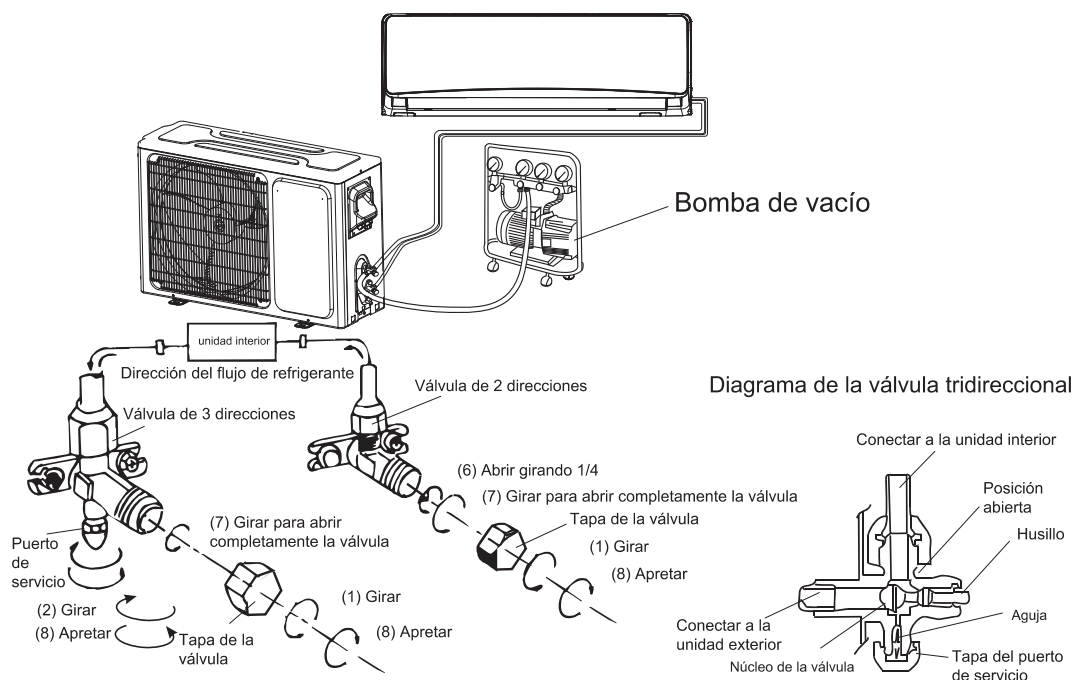
❑ El diagrama es únicamente de referencia, el diseño real del terminal prevalecerá.

# Instrucciones de instalación

## Prueba de aspiración y carga

El aire con humedad que permaneciera en el ciclo de refrigeración podría provocar un mal funcionamiento del compresor. Después de conectar las unidades interior y exterior, libere el aire y la humedad del ciclo refrigerante utilizando una bomba de vacío, como se muestra a continuación.

Nota: Para proteger el entorno, asegúrese de no descargar el refrigerante directamente al aire. Consulte la siguiente página para ver los pasos de purgado de aire.



Cómo purgar los tubos de aire:

- (1) Desatornille y retire las tapas de las válvulas de 2 y 3 direcciones.
- (2) Desatornille y retire la tapa de la válvula de servicio.
- (3) Conecte la manguera flexible de la bomba de vacío a la válvula de servicio.
- (4) Haga funcionar la bomba de vacío durante 10-15 minutos hasta que alcance un valor absoluto de vacío de 10 mm Hg.
- (5) Con la bomba de vacío aún funcionando, cierre la rueda de presión baja del distribuidor de la bomba de vacío. A continuación, detenga la bomba de vacío.
- (6) Abra la válvula bidireccional girándola 1/4 y, a continuación, ciérrela después de 10 segundos. Compruebe que todas las juntas estén apretadas usando jabón líquido o un detector electrónico de fugas.
- (7) Gire los vástagos de las válvulas de 2 y 3 direcciones para cerrar completamente las válvulas. Desconecte la manguera flexible de la bomba de vacío.
- (8) Vuelva a colocar y apriete todas las tapas de la válvula.

# Instrucciones de instalación

## Puesta en marcha

### Operación de prueba

Realice una operación de prueba después de completar la comprobación de fuga de gases y de seguridad eléctrica.

1. Conecte la electricidad de la unidad exterior.
2. Pulse el botón de encendido/apagado del mando a distancia para comenzar la prueba.
3. Pulse el botón MODO y seleccione los modos ENFRIAMIENTO, CALENTAMIENTO y VENTILADOR para confirmar todas las funciones.

### Comprobaciones del sistema

1. Oculte las tuberías de refrigerante cuando sea posible.
2. Asegúrese de que haya una pendiente de descenso en toda la longitud de la manguera de drenaje.
3. Compruebe que las tuberías de refrigerante y las conexiones estén correctamente aisladas.
4. Apriete las tuberías a la pared exterior cuando sea posible.
5. Selle e impermeabilice el orificio de la pared por donde pasan los cables de conexión y las tuberías de refrigerante.

### Unidad interior

1. ¿Funcionan correctamente todos los botones del mando a distancia?
2. ¿Funcionan correctamente las luces de la pantalla?
3. Funciona correctamente la rejilla oscilante?
4. ¿Funciona el desagüe?

### Unidad exterior

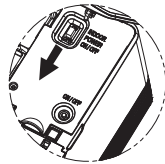
1. Pulse el botón de modo para elegir ENFRIAR y ajuste la temperatura de la sala a 61 °F (16 °C) y espere 3 minutos para que el compresor funcione. ¿Se encienden el compresor y el ventilador exterior en modo de enfriamiento?
2. Pulse el botón de modo para elegir CALENTAR y ajuste la temperatura de la sala a 85 °F (30 °C) y espere 3 minutos para que el compresor funcione. ¿Se encienden el compresor y el ventilador exterior en modo de calentamiento?

# Cuidado y mantenimiento

## Panel frontal y mantenimiento de carcasa

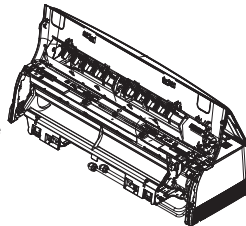
- 1** Interrumpa la alimentación moviendo el interruptor en la dirección de la flecha.

Nota: Primero apague el aparato antes de desconectar la alimentación eléctrica.



- 2**

Abra el panel frontal y la carcasa frontal, consulte las Fig. 9-Fig. 12 de INSTALACIÓN DE LA UNIDAD INTERIOR.



- 3** Límpiela con un paño suave y seco.

Utilice un paño húmedo para limpiar el panel frontal si estuviera sucio.



Utilice un paño seco y suave para limpiarlo.

- 4** Nunca utilice sustancias volátiles, como gasolina ni polvo para pulido para limpiar el aparato.

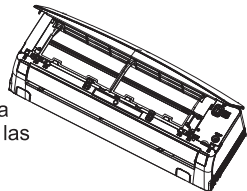


- 5** Nunca rocíe agua sobre la unidad interior.



- 6**

Cierre el panel frontal y la carcasa frontal, consulte las Fig. 22-Fig. 26 de INSTALACIÓN DE LA UNIDAD INTERIOR.

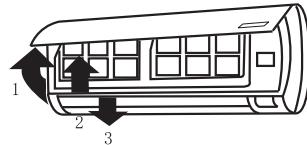


## Mantenimiento del filtro de aire

Es necesario limpiar el filtro de aire cuando se ha utilizado aproximadamente 200 horas.

Límpielo de la siguiente forma:

- 1** Detenga el aparato y retire el filtro de aire.



1. Abra el panel frontal.
2. Presione el asa del filtro suavemente desde delante.
3. Agarre el asa y deslícelo fuera del filtro.

- 2** Limpie y vuelva a instalar el filtro de aire.

Si hubiera suciedad evidente, lávelo con una solución de detergente en agua templada. Después de limpiarlo, déjelo secar bien a la sombra.



- 3** Vuelva a cerrar el panel frontal.

Limpie el filtro de aire cada dos semanas si el climatizador funciona en un entorno muy polvoriento.

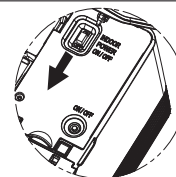
# Cuidado y mantenimiento

- ⚠ El siguiente procedimiento es de limpieza profunda y debe realizarlo un profesional.
- ⚠ Los usuarios tienen estrictamente prohibido realizarlo personalmente, de lo contrario, será bajo su propio riesgo.

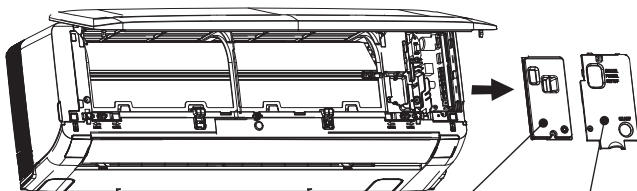
## Mantenimiento de la carcasa frontal, el conducto de aire y el ventilador

- 1** Interrumpa la alimentación moviendo el interruptor en la dirección de la flecha.

Nota: Primero apague el aparato antes de desconectar la alimentación eléctrica.



- 2** 1. Retire la cubierta de los cables y la cubierta de la caja eléctrica.  
2. Desconecte el cable del motor del ventilador y el cable del motor de la rejilla.

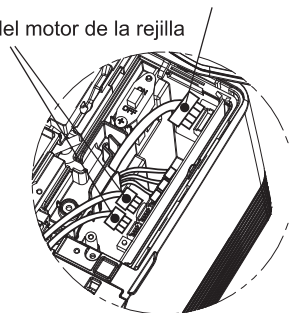


Cubierta de la caja eléctrica

cubierta de cableado

Cable del motor del ventilador

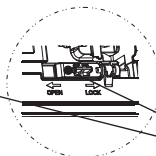
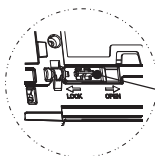
Cable del motor de la rejilla



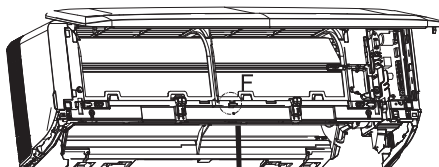
- 3** 1. Abra las cubiertas de los tornillos y retire los tornillos. Consulte la Fig. 10 de INSTALACIÓN DE LA UNIDAD INTERIOR.  
2. Abra los ejes de límite.  
3. Retire la carcasa frontal para limpiarla.

Nota: Preste atención al límite de la posición F, algunos modelos tienen dos lugares.

Nota: cuando desee limpiar la carcasa frontal con agua, primero debe retirar todos los motores de la carcasa frontal.



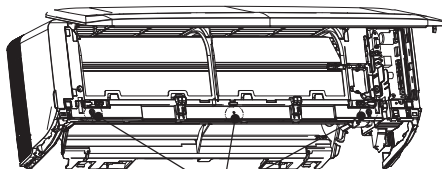
Eje de límite



Carcasa frontal

- 4** Retire los tornillos del conducto de aire (posición G y posición H).

Nota: Los modelos de la serie 808 no tienen tornillos en la posición H.



G

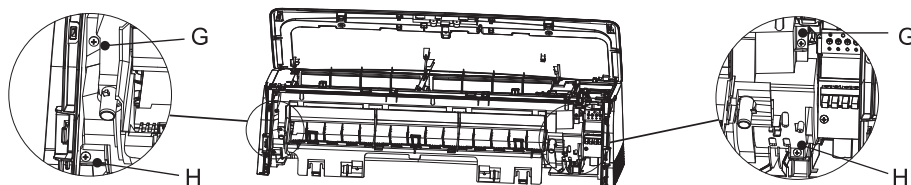
## Cuidado y mantenimiento

- ⚠ El siguiente procedimiento es de limpieza profunda y debe realizarlo un profesional.
- ⚠ Los usuarios tienen estrictamente prohibido realizarlo personalmente, de lo contrario, será bajo su propio riesgo.

### Mantenimiento de la carcasa frontal, el conducto de aire y el ventilador

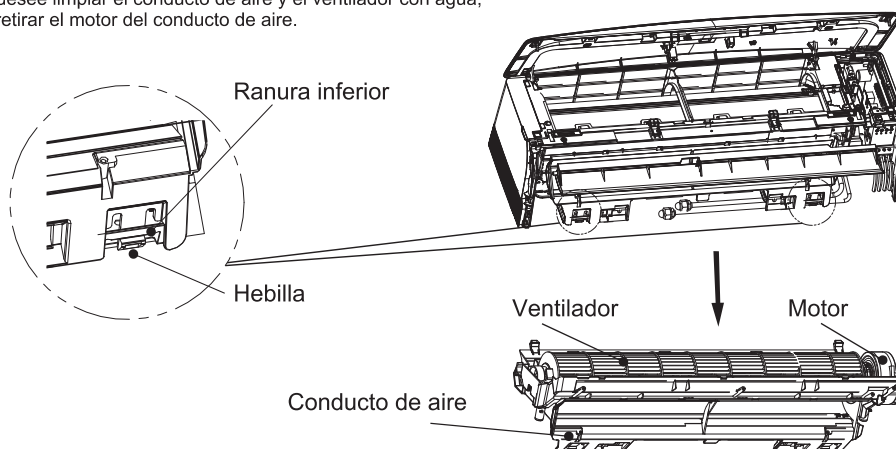
#### 4 Retire los tornillos del conducto de aire (posición G y posición H).

Nota: Los modelos de la serie 808 no tienen tornillos en la posición H.



#### 5 1. Presione las 2 hebillas del conducto de aire para soltarlo de las 2 ranuras de la placa de montaje. 2. Retire el conducto de aire.

Nota: cuando desee limpiar el conducto de aire y el ventilador con agua, primero debe retirar el motor del conducto de aire.



#### 6 Después de limpiarla, instala la máquina siguiendo en orden inverso la secuencia de desmontaje.

Nota: Si se lavan la carcasa frontal, el conducto de aire y el ventilador con agua, deben secarse bien antes de volver a instalarlos.

# Protección

## Condiciones de funcionamiento

**El dispositivo protector podría fallar y detener el aparato en los casos siguientes.**

CALEFACCIÓN	La temperatura del aire exterior es superior a 75 °F (24 °C)
	La temperatura del aire exterior es inferior a -13°F (-25 °C)
	La temperatura ambiente es superior a 80,6 °F (27 °C)
REFRIGERACIÓN	La temperatura del aire exterior es superior a 115 °F (46 °C)
	La temperatura ambiente es inferior a 70 °F (21 °C)
SECO	La temperatura ambiente es inferior a 64,5 °F (18 °C)

\* Para modelos de condiciones climáticas tropicales (T3), el punto de temperatura es de 131 °F (55 °C) en lugar de 109 °F (43 °C). La temperatura de algunos productos puede estar fuera del rango. Para casos específicos, consulte con el distribuidor.

Si el aire acondicionado funciona en modo REFRIGERACIÓN o SECO con una puerta o ventana abierta durante mucho rato, cuando la humedad supere el 80 %, podría gotear condensación de la salida de aire.

## Contaminación acústica

- Instale el climatizador en un lugar que pueda soportar su peso para utilizarlo de forma más silenciosa.
- Instale la unidad exterior en un lugar donde el aire descargado y el ruido del funcionamiento no molesten a los vecinos.
- No coloque obstáculos frente a la salida de aire de la unidad exterior, ya que ello incrementaría el nivel de ruido.

## Características del protector

**El dispositivo protector funcionará en los siguientes casos.**

- 1 Para reiniciar la unidad después de detenerla o cambiar de modo durante el funcionamiento, deberá esperar 3 minutos.
- 2 Si se detiene el funcionamiento completamente, vuelva a pulsar el botón de **encendido/apagado** para reiniciarla. Deberá volver a ajustar el temporizador si se ha cancelado.

## Características del modo CALEFACCIÓN

### Pre calentamiento

Al comienzo de la operación de CALEFACCIÓN, el flujo de aire de la unidad interior se descarga al cabo de unos 2-5 minutos.

### Descongelación

En modo CALEFACCIÓN, el aparato se descongelará automáticamente para mejorar la eficiencia. Este procedimiento dura habitualmente 2-10 minutos. Durante la descongelación, los ventiladores dejan de funcionar.

Una vez completada la descongelación, vuelve automáticamente al modo CALEFACCIÓN.

**Nota:** El modo de Calefacción NO está disponible en climatizadores de solo frío Modelo.

## Consejos de ahorro de energía

**1. La temperatura ambiente para relajarse durante la noche es correcta:** Durante las horas de sueño no se necesita el mismo nivel de enfriamiento o calentamiento. Intente usar el modo Sueño para relajar gradualmente la temperatura ambiente y permitir que la unidad funcione menos y ahorre energía.

**2. Cortinas y persianas:** En verano, deberá bloquear los efectos del sol. Cierre las cortinas y persianas de las ventanas de los lados sur y oeste del hogar para ayudar a bloquear el calor solar. En invierno, el sol será su amigo. Abra cortinas y persianas para permitir que entre el calor solar en la habitación.

**3. Cierre las puertas:** Si no necesita calentar o enfriar toda la casa, confine el calentamiento y el enfriamiento a una sala cerrando puertas. Limite el espacio que calienta o enfría a la capacidad especificada de la unidad.

**4. Mantenimiento de la unidad:** Es posible que solo necesite realizar un mantenimiento básico. A la unidad exterior le irá bien limpiarla rociándola con una manguera, especialmente en áreas con árboles donde semillas y otros restos puedan engancharse a las aletas de las bobinas y hacer que la unidad deba trabajar más.

**5. Reorganice la sala:** Si hay muebles que obstruyan el flujo de aire quizá se esté calentando o enfriando el respaldo de una silla o la parte delantera de una sofá en lugar de el espacio de vivienda en sí. Utilice las rejillas oscilantes para ayudar a dirigir el aire en la dirección correcta de la sala. Retire o reorganice los obstáculos que bloqueen el flujo de aire.

**6. Pruebe 75 grados:** 75 °C (24 °C) es un buen punto para que el climatizador funcione a su nivel de rendimiento óptimo. Incluso un cambio de 1 grado de la temperatura puede hacer que la unidad utilice más energía!

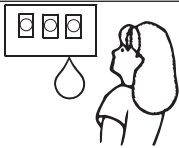
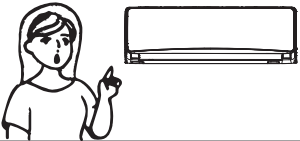
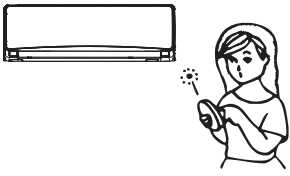
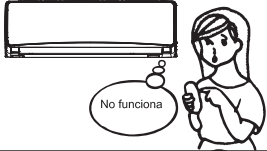

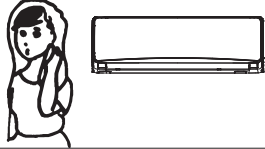
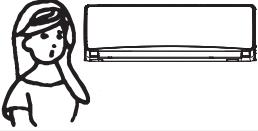
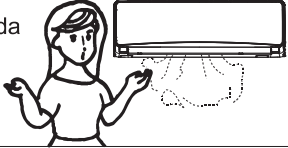
**7. Iluminación:** Apague las luces para ayudar a reducir el calor. Cada bombilla es un pequeño calentador. El climatizador debe emplear energía para compensar el calor de las luces y mantener la temperatura deseada de la sala.

**8. ¿Hay alguien en casa?** Si fuera posible, cuando esté ausente ponga la unidad en modo Automático y asegúrese de cerrar las ventanas y cortinas. Aunque la temperatura ambiente será incómoda durante unos minutos cuando vuelva a casa, la unidad la pondrá a su temperatura deseada en poco tiempo.

**9. No olvide el ventilador:** El ventilador es muy parecido a un coche. Cuanto más rápido funciona, más energía consume. Algunas veces necesitamos que el coche vaya más rápido, pero ir lento es lo bastante bueno la mayoría de veces. Intente ahorrar dinero utilizando la velocidad del ventilador lenta, cómoda y silenciosa lo máximo posible.

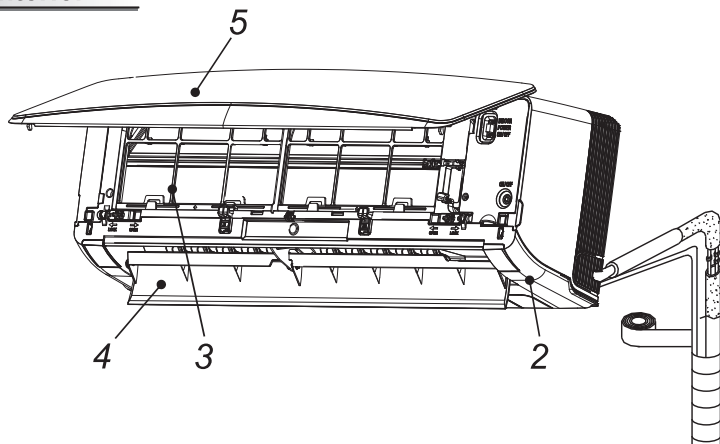
## Resolución de problemas

Es posible que los siguientes casos no sean siempre un mal funcionamiento, compruébelo antes de pedir una revisión del aparato.

Problema	Análisis
<p>No funciona</p> 	<ul style="list-style-type: none"> <li>• Si el protector se dispara o se funde un fusible, espere 3 minutos y vuelva a encender el aparato. El dispositivo protector podría evitar que la unidad funcione.</li> <li>• Las pilas del mando a distancia podrían estar agotadas.</li> <li>• Compruebe si el aparato está enchufado correctamente.</li> </ul>
<p>No sale aire de enfriamiento o calentamiento</p> 	<ul style="list-style-type: none"> <li>• ¿Está sucio el filtro de aire?</li> <li>• ¿Están bloqueadas las entradas y salidas del climatizador?</li> <li>• ¿Está ajustada correctamente la temperatura?</li> </ul>
<p>Control inefectivo</p> 	<ul style="list-style-type: none"> <li>• Si hay presentes interferencias fuertes (por una descarga de electricidad estática excesiva o anomalías en la tensión de la alimentación eléctrica), el aparato podría funcionar anormalmente. Desconecte la alimentación y vuelva a conectarla 2-3 segundos más tarde.</li> </ul>
<p>No funciona inmediatamente</p> 	<ul style="list-style-type: none"> <li>• Si cambia de modo durante el funcionamiento, tardará 3 minutos.</li> </ul>
<p>Olor peculiar</p> 	<ul style="list-style-type: none"> <li>• Este olor podría venir de otra fuente, como un mueble, cigarrillo, etc. que haya sido aspirada en la unidad y salga con el aire.</li> </ul>
<p>Se escucha sonido de agua fluyendo</p> 	<ul style="list-style-type: none"> <li>• Provocado por el flujo del refrigerante en el interior del climatizador. No es un motivo de preocupación.</li> <li>• Sonido de descongelación durante el modo de calentamiento.</li> </ul>
<p>Se escuchan crujidos.</p> 	<ul style="list-style-type: none"> <li>• El sonido podría estar generado por la expansión o contracción del panel frontal debido al cambio de temperatura.</li> </ul>
<p>Sale neblina de la salida</p> 	<ul style="list-style-type: none"> <li>• Aparece neblina cuando el aire de la sala se vuelve muy frío. Esto se debe al aire frío descargado de la unidad interior durante los modos de ENFRIAMIENTO o SECADO.</li> </ul>
<p>Las luces indicadoras del compresor se iluminan constantemente, el indicador de funcionamiento parpadea y el ventilador interior se detiene.</p>	<ul style="list-style-type: none"> <li>• La unidad cambia de modo de calentamiento a descongelación. El indicador se apagará y volverá al modo de calentamiento.</li> </ul>

# Identificación de piezas

## Unidad interior



## Nombre de la pieza

1. Mando a distancia

2. Carcasa frontal

3. Filtro de aire

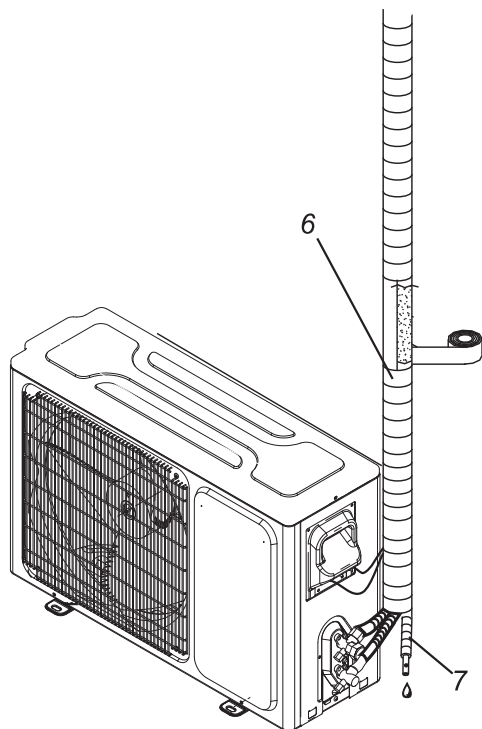
4. Rejilla horizontal

5. Panel frontal

6. Tuberías y cable de alimentación

7. Manguera de drenaje

## Unidad exterior



☑ Las figuras de este manual están basadas en la vista externa de un modelo estándar. En consecuencia, la forma podría diferir de la del climatizador que haya seleccionado.

# Introducción a la pantalla

Indicador de temperatura ..... 1



Ver la temperatura ajustada ajustada.  
Muestra FC después de 200 horas de uso como recordatorio para limpiar el filtro.  
Después de limpiar el filtro, pulse el botón ubicado en la unidad interior tras el panel frontal para restablecer la pantalla (opcional).  
Muestra la temperatura establecida en modo de humedad (opcional).



Indicador de funcionamiento ..... 2

Se ilumina cuando el climatizador está funcionando.  
Parpadea durante la descongelación.



Indicador de temporizador ..... 3

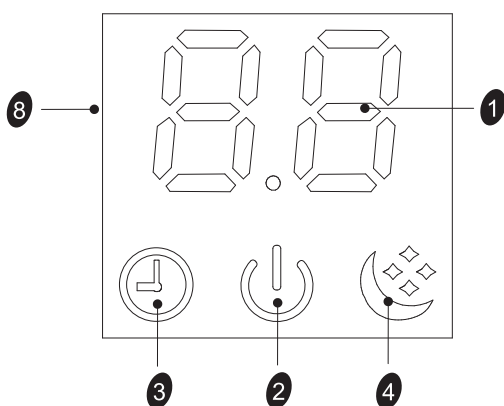
Se ilumina durante el tiempo establecido.



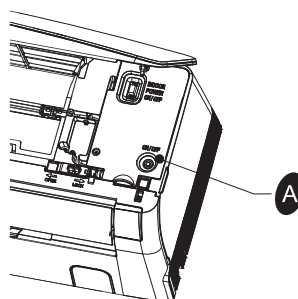
Indicador de modo sueño ..... 4

Se ilumina en modo Suspensión.

Receptor de señal ..... 8



Botón de emergencia **A**



**ON/OFF** Para encender o apagar el AC, pulse el botón.

❑ Los símbolos pueden ser diferentes en estos modelos, pero las funciones son similares.





**FRIEDRICH**

1 8 8 3

# Installation Manual

## DUCTLESS SPLIT SYSTEMS



FRANÇAIS

Manual for the following models:

- FRHSW09A3A
- FRHSW12A3A
- FPHSW09A1A
- FPHSW12A1A
- FRHSR09A3A
- FRHSR12A3A
- FPHSR09A1A
- FPHSR12A1A



THE EXPERTS IN ROOM AIR CONDITIONING

# Contenu

---

<b>Instructions de sécurité</b> .....	1
<b>Préparation avant utilisation</b> .....	3
Préréglage .....	3
Préservation de l'environnement .....	3
<b>Mesures de sécurité</b> .....	4
<b>Instructions d'installation</b> .....	5
Schéma d'installation .....	5
Outils suggérés .....	6
Instructions sur site .....	7
Installation de l'unité intérieure .....	8
Installation de l'unité extérieure .....	16
Alimentation et câblage .....	18
Test et chargement sous vide .....	20
Démarrage .....	21
<b>Entretien et maintenance</b> .....	22
<b>Protection</b> .....	25
<b>Conseils pour économiser de l'énergie</b> .....	26
<b>Dépannage</b> .....	27
<b>Identification des pièces</b> .....	28
Unité intérieure .....	28
Unité extérieure .....	28
<b>Introduction de l'affichage</b> .....	29

**Instructions de fonctionnement de la télécommande. Voir « *Instructions de la télécommande* »**

## Instructions de sécurité

- 1. Pour garantir que l'unité fonctionne normalement, veuillez lire soigneusement ce manuel avant l'installation, et essayez d'effectuer l'installation strictement en conformité avec ce manuel.
- 2. Ne laissez pas d'air entrer dans le système de réfrigération ou le réfrigérant se décharger lorsque vous déplacez le climatiseur.
- 3. Mettez convenablement à la terre le climatiseur.
- 4. Vérifiez soigneusement les câbles de connexion et les tuyaux, assurez-vous qu'ils sont fixés de manière correcte et ferme avant de mettre le climatiseur sous tension.
- 5. Il doit y avoir un interrupteur pneumatique.
- 6. Après l'installation, le consommateur doit faire fonctionner le climatiseur correctement conformément à ce manuel, conserver un espace de stockage adapté pour la maintenance et les déplacements ultérieurs du climatiseur.
- 7. Le fusible de l'unité :

Modèle	Fusible de l'unité intérieure	Fusible de l'unité extérieure
9K(115V)	T 3,15A ou T 5A 250 V	T 20A 250V
12K(115V)	T 3,15A ou T 5A 250 V	T 25A 250V
9K-12K(208/230V)	T 3,15A ou T 5A 250 V	T 15A 250V
18K(208/230V)	T 3,15A ou T 5A 250 V	T 20A 250V
24K-36K(208/230V)	T 3,15A ou T 5A 250 V	T 30A 250V

- 8. Un appareil de courant résiduel (RCD) avec une valeur nominale supérieure à 10 mA devrait être incorporé dans le câblage fixe conformément à la réglementation nationale.
- 9. Attention: Un risque de choc électrique peut provoquer des blessures ou un décès : Déconnectez toutes les alimentations électriques à distance avant la mise en service.
- 10. La meilleure longueur de tuyau de raccord entre l'unité intérieure et l'unité extérieure est inférieure à 7,5 m (24,6 pieds). Cela affectera l'efficacité du climatiseur si la distance est supérieure à cette longueur.
- 11. Cet appareil électrique n'est pas prévu pour être utilisé par des personnes (y compris des enfants) avec des capacités physiques, sensorielles ou mentales réduites, ou un manque d'expérience et de connaissance, à moins qu'elle soit supervisée ou guidée concernant l'utilisation de l'appareil électrique par une personne responsable de leur sécurité. Les enfants doivent être surveillés par un adulte qui doit s'assurer qu'ils ne jouent pas avec l'appareil.
- 12. Cet appareil électrique peut être utilisé par des enfants âgés de 8 ans et plus et des personnes avec des capacités physiques, sensorielles ou mentales réduites, ou ayant un manque d'expérience et de connaissances à condition qu'elles soient supervisées ou guidées concernant l'utilisation de l'appareil électrique de manière sûre et comprennent les risques encourus. Les enfants ne devraient pas jouer avec l'appareil électrique. Le nettoyage et l'entretien utilisateur ne devraient pas être effectués par des enfants sans supervision.
- 13. Les piles dans la télécommande doivent être recyclées ou éliminées correctement. Élimination des piles usagées -- - Veuillez vous débarrasser des piles au point de collecte accessible mis en place pour les déchets municipaux.

## ***Instructions de sécurité***

---

- 14. Si l'appareil électrique est à câblage fixe, l'appareil électrique doit être inséré avec des moyens de déconnexion de l'alimentation principale ayant une séparation de contact dans tous les pôles qui fournissent une déconnexion totale sous les conditions de tensions de la catégorie III, et cela signifie qu'il doit être incorporé dans le câblage fixe conformément aux règles de câblage.
- 15. Si le cordon d'alimentation est endommagé, il doit être remplacé par le fabricant, son agent de service ou une personne qualifiée de manière similaire afin d'éviter tout danger.
- 16. L'appareil électrique doit être installé conformément aux réglementations de sécurité électriques locales et aux Codes électriques nationaux (CEN).
- 17. Le climatiseur doit être installé par des personnes professionnelles et qualifiées.
- 18. L'appareil électrique ne devrait pas être installé dans la buanderie.
- 19. Concernant l'installation, veuillez vous référer à la section « Instructions d'installation ».
- 20. Concernant la maintenance, veuillez vous référer à la section « Entretien et maintenance ».

## Préparation avant utilisation

### Remarque :

- Lors du chargement du réfrigérant dans le système, assurez-vous de le charger à l'état liquide, si le réfrigérant de l'appareil électrique est du R410A. Sinon, la composition chimique du réfrigérant (R410A) à l'intérieur du système peut changer et ainsi affecter les performances du climatiseur.
- Conformément au caractère du réfrigérant (R410A, la valeur du GWP est 2088), la pression du tube est très élevée, donc assurez-vous d'être prudent lorsque vous installez et réparez l'appareil.
- Si le cordon d'alimentation est endommagé, il doit être remplacé par le fabricant, son agent de service ou une personne qualifiée de manière similaire afin d'éviter tout danger.
- Le climatiseur doit être installé par des installateurs formés et qualifiés et des mécaniciens préposés à l'entretien.
- La température du circuit réfrigérant sera élevée, veuillez garder le câble d'interconnexion à distance du tube en cuivre.

### Préréglage

Avant d'utiliser le climatiseur, assurez-vous de vérifier et de préréglage les points suivants.

#### • **Préréglage de la télécommande**

Chaque fois après que les piles de la télécommande aient été remplacées ou que la télécommande ait été mise sous tension, le préréglage automatique de la télécommande actionne la pompe à chaleur. Si le climatiseur que vous avez acheté est un de type refroidissement uniquement, la télécommande de la pompe à chaleur peut aussi être utilisée.

#### • **Fonction de rétroéclairage de la télécommande (optionnel)**

Maintenez enfoncé n'importe quel bouton de la télécommande pour activer le rétroéclairage. Cela s'arrêtera automatiquement 10 secondes plus tard.

*Remarque : Le rétroéclairage est une fonction optionnelle.*

#### • **Préréglage de démarrage automatique**

Le climatiseur a une fonction de redémarrage automatique.

### Préservation de l'environnement

L'appareil électrique est composé de matériaux recyclables et réutilisables. La mise à la ferraille doit être effectuée conformément aux réglementations locales sur l'enlèvement des ordures. Avant de le mettre à la ferraille, assurez-vous de couper les cordons principaux, afin que l'appareil électrique ne puisse pas être réutilisé. Pour des informations plus détaillées concernant la manipulation et le recyclage de ce produit, contactez vos autorités locales qui gèrent avec le tri sélectif des déchets ou la boutique où vous avez acheté l'appareil électrique.





#### MISE A LA FERRAILLE DE L'APPAREIL ÉLECTRIQUE




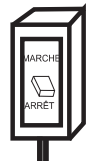















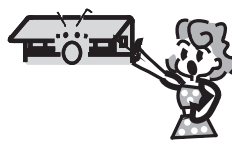





Ce marquage indique que ce produit ne devrait pas être éliminé avec d'autres déchets domestiques partout en Amérique du Nord. Afin d'éviter tout dommage sur l'environnement et/ou sur la santé humaine, recyclez-le de façon responsable, en favorisant au mieux la réutilisation des ressources. Pour retourner votre appareil usagé, contactez les centres de tri ou le magasin auprès duquel vous avez acheté l'appareil. Ceux-ci pourront prendre en charge le recyclage de votre appareil.



# Mesures de sécurité

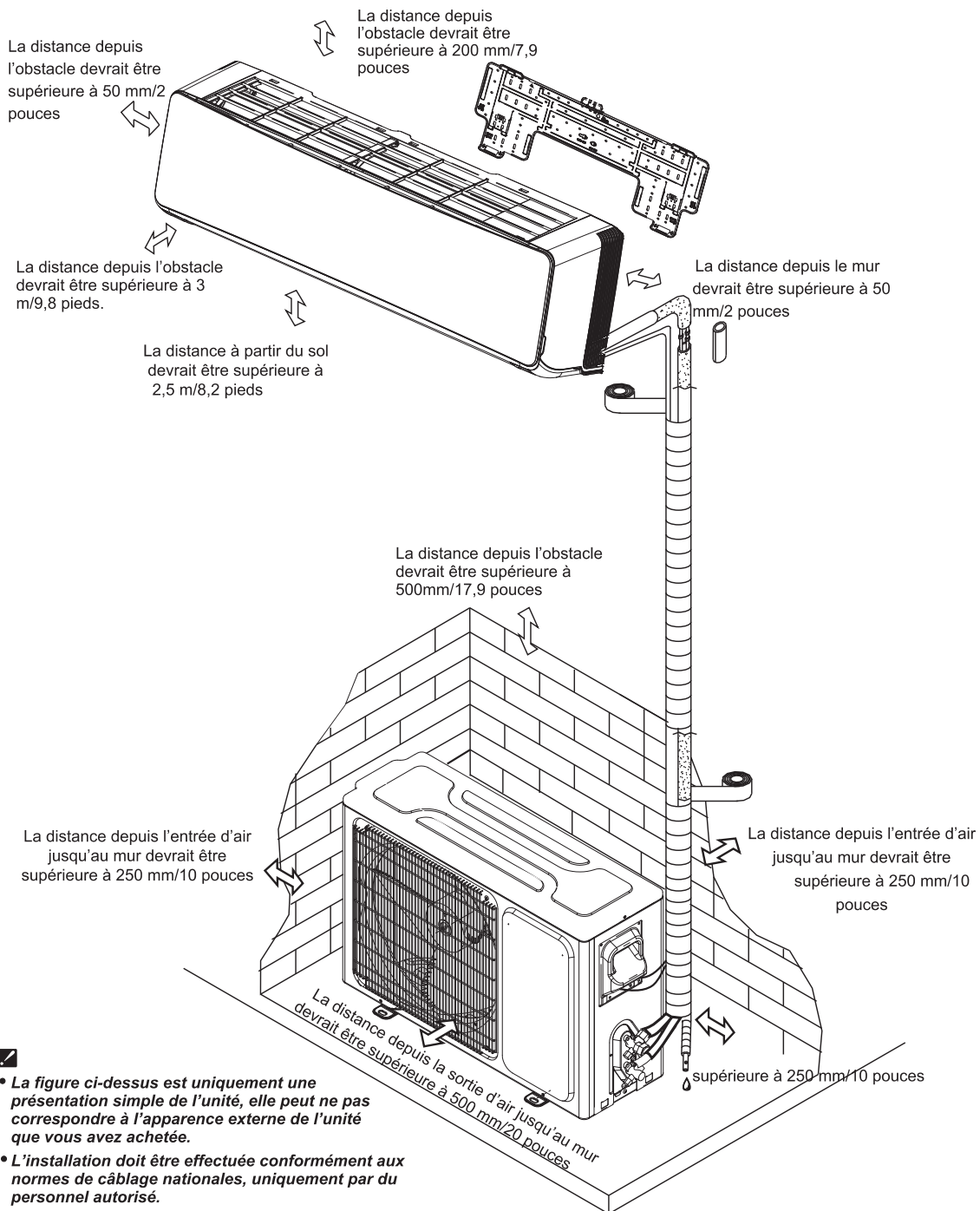
Les symboles dans ce manuel d'utilisation et d'entretien sont interprétés comme illustré ci-dessous.

-  assurez-vous de ne pas faire ceci.
-  La mise à la terre est essentielle.
-  Faites attention à une telle situation.
-  Attention: Une manipulation incorrecte peut entraîner un danger sérieux, tel que la mort, des blessures graves, etc.

 <p>Utiliser l'alimentation électrique correcte conformément aux exigences de la plaque signalétique. Sinon, des défauts ou des risques graves peuvent se présenter ou un incendie peut se déclencher.</p>	  <p>Gardez le disjoncteur ou la prise d'alimentation à l'abri de la saleté. Branchez le cordon d'alimentation correctement et fermement, de peur qu'une électrocution ou un incendie ne se déclarent en raison d'un contact insuffisant.</p>	   <p>N'utilisez pas le disjoncteur d'alimentation ou ne débranchez pas la prise pour éteindre l'appareil pendant son fonctionnement. Cela peut provoquer un incendie dû à une étincelle, etc.</p>
  <p>Ne pas tricoter, tirer ou piétiner le cordon d'alimentation, de peur que le cordon d'alimentation soit brisé. Un choc électrique ou un incendie est probablement causé par un cordon d'alimentation brisé.</p>	  <p>N'insérez jamais de bâton ou d'obstacle similaire dans l'unité. Étant donné que le ventilateur fonctionne à haute vitesse, cela peut provoquer des blessures.</p>	  <p>Il est dangereux pour votre santé si vous restez sous de l'air frais pendant une longue période. Il est conseillé de laisser que le flux d'air soit dévié dans toute la pièce.</p>
  <p>Arrêtez l'appareil électrique à l'aide de la télécommande d'abord en coupant l'alimentation électrique si un dysfonctionnement se produit.</p>	  <p>N'essayez pas de réparer l'appareil vous-même. Si cela n'est pas fait correctement, il peut provoquer un choc électrique, etc.</p>	  <p>Empêcher le flux d'air d'atteindre les cuisinières et le poêle-chaaleur.</p>
  <p>Ne touchez pas les boutons de commande si vos mains sont mouillées.</p>	  <p>Ne placez aucun objet sur l'unité extérieure.</p>	   <p>Il relève de la responsabilité de l'utilisateur de faire mettre l'appareil à la terre par un technicien agréé conformément aux ordonnances et codes locaux.</p>

# Instructions d'installation

## Schéma d'installation



• La figure ci-dessus est uniquement une présentation simple de l'unité, elle peut ne pas correspondre à l'apparence externe de l'unité que vous avez achetée.

• L'installation doit être effectuée conformément aux normes de câblage nationales, uniquement par du personnel autorisé.

# Instructions d'installation

## Outils suggérés

Afin d'installer votre climatiseur de manière plus convenable et plus sûre, vous pouvez utiliser ces outils spéciaux listés ci-dessous.



Clé standard



Tournevis



Clés hexagonales ou clés Allen



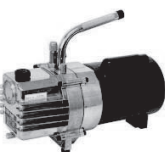
Clé à molette réglable/en croissant



Clé dynamométrique



Forets et mèches



Collecteur et manomètres



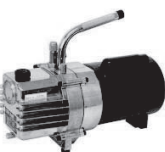
Pompe à aspirer



Pince sur ampèremètre



Niveau



Gants de travail



Lunettes de sécurité



Coupe-tuyau



Graduation pour réfrigérant



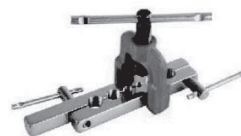
Outils évasés pour R410A



Jauge micron



Scie cloche



# Instructions d'installation

## Instructions sur site

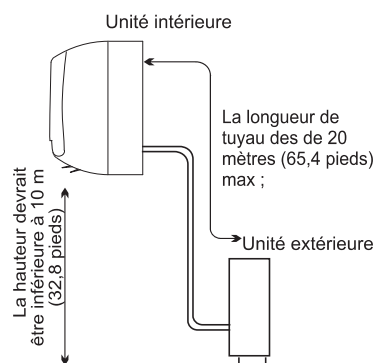
### Site pour l'installation de l'unité intérieure

- Un endroit où il n'y a aucun obstacle près de la sortie d'air et d'où l'air peut facilement être soufflé à chaque coin de la pièce.
- Là où un tuyau et un trou dans le mur peuvent facilement être disposés.
- Gardez l'espace nécessaire entre l'unité et le plafond et le mur conformément au schéma d'installation de la page précédente.
- Là où le filtre à air peut facilement être retiré.
- Conservez l'unité et la télécommande à un minimum de 1 m (3,28 pieds) de la télévision, de la radio, etc.
- Conservez-là aussi loin que possible des lampes fluorescentes.
- Ne placez rien près de l'entrée d'air qui pourrait empêcher l'absorption d'air.
- Installez-là sur un mur suffisamment résistant pour supporter le poids de l'unité.
- Installez à un endroit qui n'augmentera pas le bruit et les vibrations de fonctionnement.
- Gardez à distance d'une exposition directe à la lumière du soleil et des sources de chaleur. Ne placez pas de matériaux inflammables ou d'appareils à combustion sur le haut de l'unité.

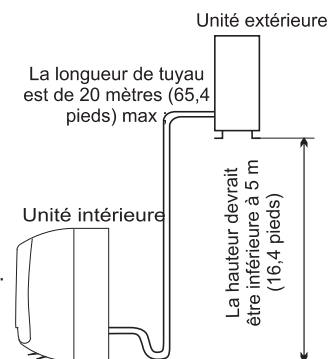
### Site pour l'installation de l'unité extérieure

- Là où il est pratique d'installer et bien ventilé.
- Évitez de l'installer à un endroit où un gaz inflammable pourrait fuir.
- Conservez à la distance minimale nécessaire du mur.
- Conservez l'unité éloignée de saleté de graisses, de sortie de gaz.
- Évitez de l'installer sur le bord de la route où il peut y avoir de l'eau boueuse.
- Une base fixe sur laquelle il n'est pas sujet à un bruit de fonctionnement accru.
- À un endroit où il n'y a pas de blocage de la sortie d'air.
- Évitez d'installer à un endroit directement exposé à la lumière du soleil, sur un côté ou près de sources de chaleur ou de ventilateurs. Gardez-le à distance des matériaux inflammables, des brouillards d'huile épais, et des endroits humides ou irréguliers.
- Si la longueur du tuyau est supérieure à 7,5 m (24,6 pieds), le réfrigérant devrait être chargé plus, conformément au tableau ci-dessous.

Modèle	Quantité requise de réfrigérant supplémentaire (en g/m)
9K-18K	20
24K	30
30K-36K	40



L'unité intérieure est située plus haut que l'unité extérieure



L'unité extérieure est située plus haut que l'unité intérieure

Si la hauteur ou la longueur du tuyau est en dehors des valeurs du tableau, veuillez consulter le vendeur.

# Instructions d'installation

## Installation de l'unité intérieure

### 1. Installation de la plaque de montage

- 1) Décidez d'un emplacement d'installation pour la plaque de montage en fonction de l'emplacement de l'unité intérieure et de la direction du tuyau.
- 2) Trouvez le centre de la plaque de montage conformément à la marque inscrite dessus. Installez ensuite une vis pour la fixer de manière préalable.
- 3) Maintenez la plaque de montage à l'horizontale avec une règle horizontale ou une ligne de chute.
- 4) Percez des trous de 32 mm de profondeur sur le mur pour fixer la plaque.
- 5) Fixez la plaque de montage avec au moins 7 vis autotaraudeuses. Pour certaines plaques de montage avec un support au milieu, un minimum de 8 vis est nécessaire. (Fig. 1).
- 6) Inspectez pour vérifier que la plaque de montage est bien fixée. Ensuite, percez un trou pour les tuyaux.

**Remarque :** Il est recommandé d'installer des chevilles pour le plâtre, les blocs de béton, les briques et les murs de ce type.

**Remarque :** Le centre du support de montage peut ne pas être le centre de l'unité intérieure.

**Remarque :** La forme de la plaque de montage peut être différente de celle ci-dessus, mais la méthode d'installation est similaire.

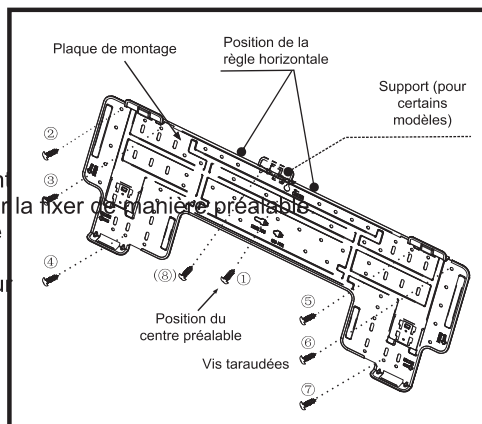
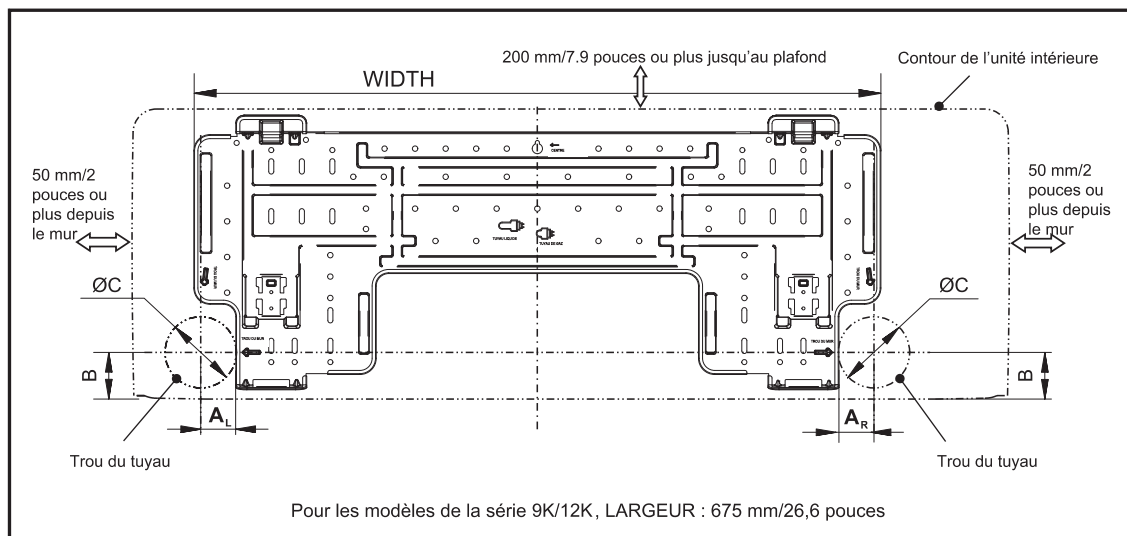


Fig. 1

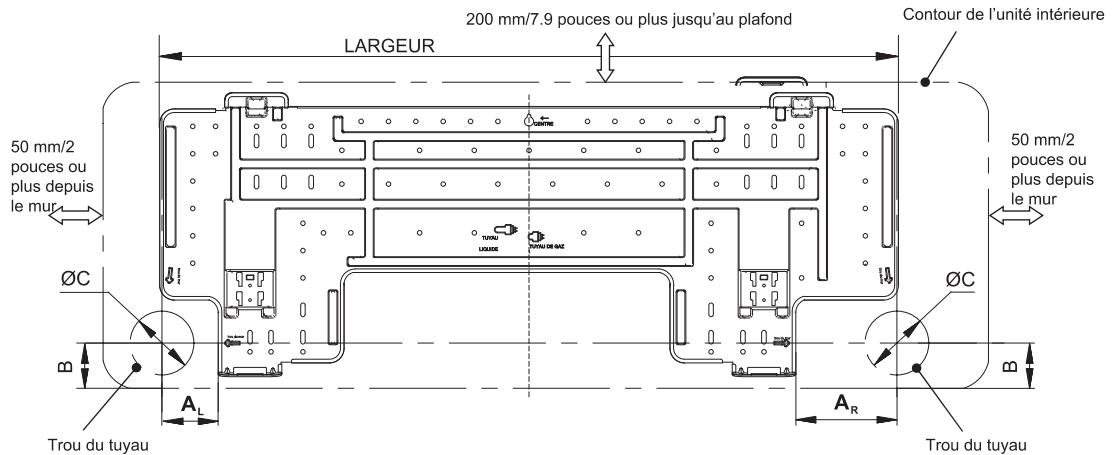
### • LES SCHÉMAS ET DIMENSIONS DE LA PLAQUE DE MONTAGE (Recommandés)



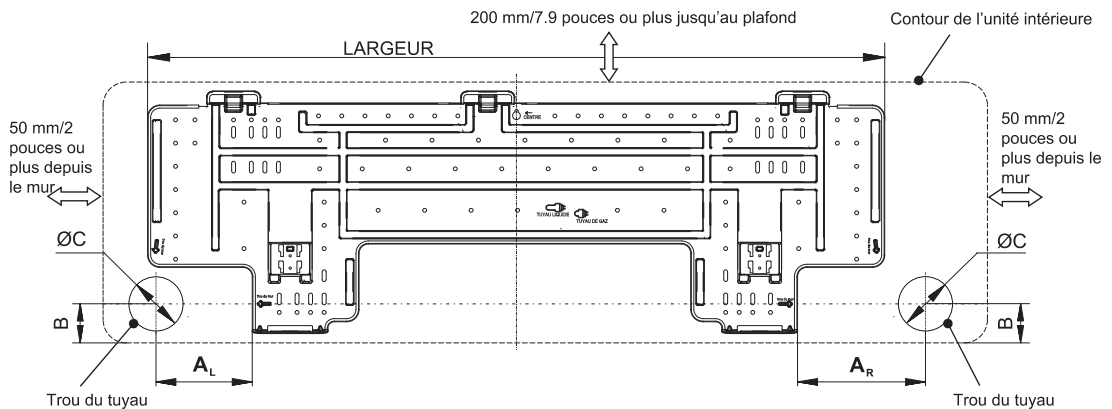
# Instructions d'installation

## Installation de l'unité intérieure

### • LES SCHÉMAS ET DIMENSIONS DE LA PLAQUE DE MONTAGE (Recommandés)



Pour les modèles de la série For 25SEER 12K, LARGEUR : 810mm/31,9 pouces



Pour les modèles de la série 18K/24K, LARGEUR : 950mm/37,4 pouces

# Instructions d'installation

## Installation de l'unité intérieure

Tableau des dimensions de montage du trou du mur par taille d'unité

Modèle d'unité	Taille A <sub>L</sub>	Taille A <sub>R</sub>	Taille B	Taille C
	mm/in	mm/pouce	mm/pouce	mm/pouce
Série 808	35/1.38	35/1.38	46/1.81	70/2.7
Série 908	62/2.44	110/4.33	49/1.93	70/2.7
Série 1080	124/4.88	165/6.50	50/1.97	70/2.7

### 2. Percez un trou pour les tuyaux

- 1) Décidez de la position du trou pour les tuyaux en fonction de l'emplacement de la plaque de montage.
- 2) Percez un trou dans le mur. Le trou devrait être incliné un peu vers le bas, vers l'extérieur.
- 3) Installez une gaine à travers le trou du mur pour que le mur reste propre. (Fig. 2).

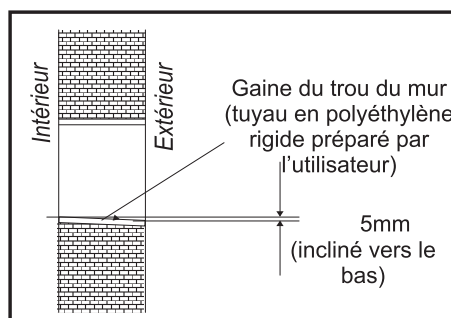


Fig. 2

### 3. Dispositions concernant les tuyaux

- 1) Mettez les tuyaux (tuyau de liquide et de gaz) et les câbles à travers le trou du mur depuis l'extérieur et faites les passer jusqu'à l'intérieur après avoir complété le raccord des tuyaux et des câbles pour connecter l'unité extérieure.
- 2) Décidez ou non de scier la pièce de déchargement conformément à la direction du tuyau. (Fig. 3).

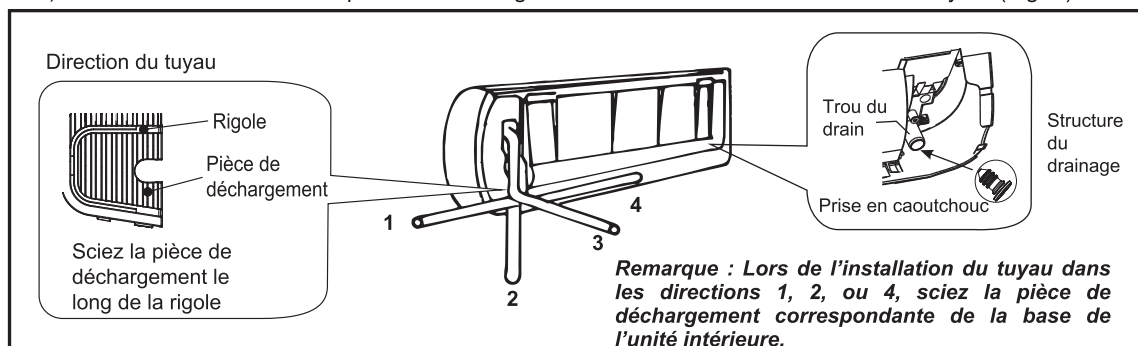


Fig. 3

# Instructions d'installation

## Installation de l'unité intérieure

**Remarque :** La structure du drainage est standard de chaque côté. Pour chaque côté de la structure de drainage, il peut être choisi un raccord de drainage sur la droite, sur la gauche ou des deux côtés. Si vous choisissez un raccord de drainage des deux côtés, un autre tuyau de drainage est nécessaire, car il y a uniquement un seul tuyau de drainage fourni par l'usine. Si vous choisissez un raccord de drainage d'un seul côté, assurez-vous que le trou du drain de l'autre côté est bien branché.

- Faites passer les tuyaux (tuyaux de liquide et de gaz) à travers le trou du mur depuis l'extérieur.
  - Couper le tuyau de liquide et le tuyau de gaz à la bonne longueur conformément à la marque de position sur la plaque de montage du mur (figure 4). Assurez-vous que la coupe est plane (figure 5).

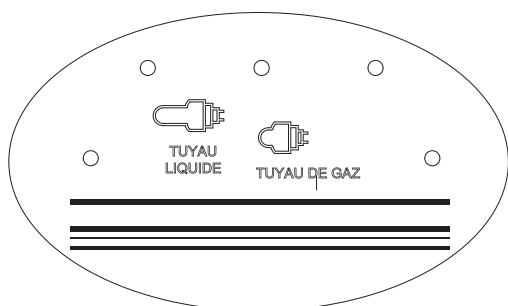


Fig. 4

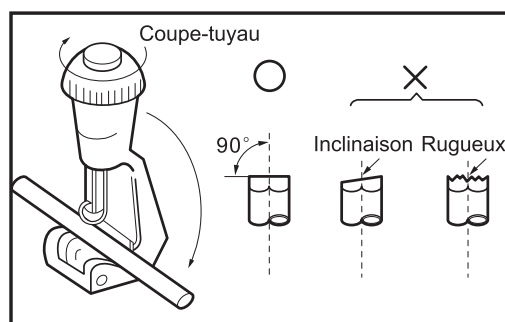


Fig. 5

- Enlevez les bavures sur les bords de coupe. Gardez la sortie du tuyau inclinée vers le bas pour éviter que de la poudre métallique n'entre dans le tuyau (figure 6).
- Évasez les tuyaux ; insérez la sortie du tuyau dans l'écrou en cuivre avant d'évaser le tuyau. Assurez-vous que le trou est plan avec une surface correcte et une épaisseur régulière. (Fig. 7).

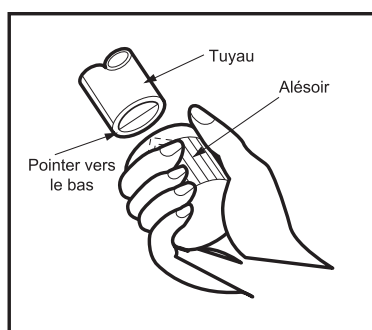


Fig. 6

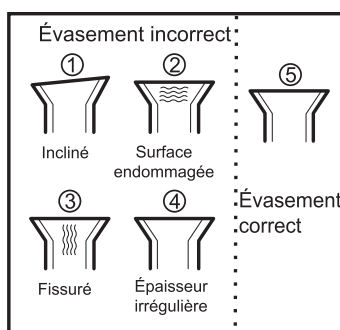


Fig. 7

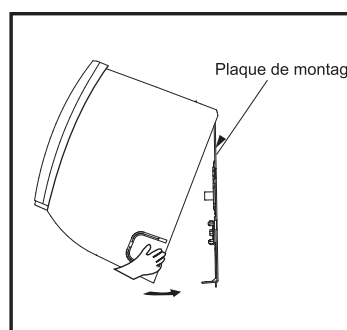


Fig. 8

## 4. Installation des tuyaux de l'unité intérieure

- Accrochez l'unité sur la plaque de montage (Fig.8).

# Instructions d'installation

## Installation de l'unité intérieure

- 2) Dans la position A, ouvrez le panneau avant comme illustré sur la Fig. 9.
- 3) Dans la position B, ouvrez les couvertures de vis comme illustrée sur la Fig.10 et retirez les vis.  
(Remarque:: Pour certains modèles, vous devez retirer 3 vis.)
- 4) Dans la position C, ouvrez la coque avant comme illustrée sur la Fig. 11. Ensuite dans la position D poussez les déflecteurs pour empêcher la coque avant de tomber comme illustré sur la figure 12.

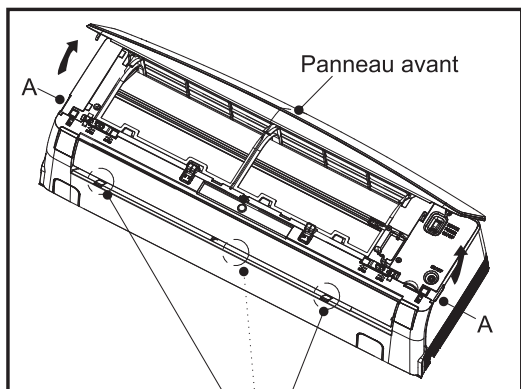


Fig. 9

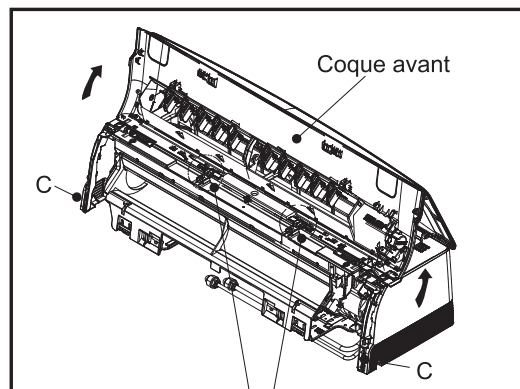


Fig. 11

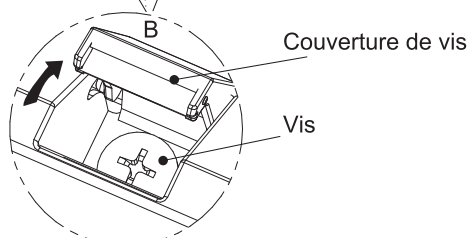


Fig. 10

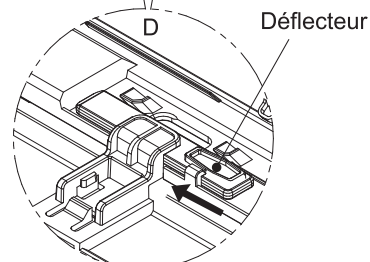


Fig. 12

- 5) Utilisez la plaque de support pour déplacer l'unité pas à pas afin d'atteindre le meilleur emplacement.  
(Fig. 13 et Fig. 14).

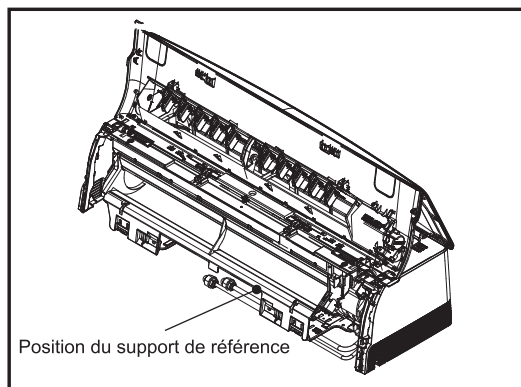


Fig. 13

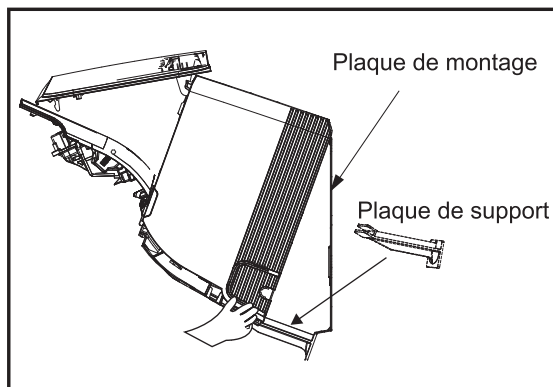


Fig. 14

**Remarque :** Les figures dans ce manuel peuvent différer de celle du climatiseur que vous avez sélectionné.

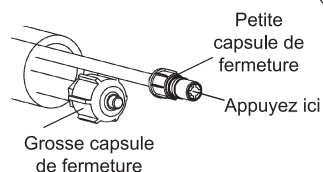
# Instructions d'installation

## Installation de l'unité intérieure

### 6) Connectez les tuyaux

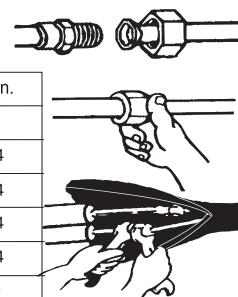
#### Connexion du tuyau :

- Avant de dévisser les couvercles de scellage grand et petit, appuyez sur le petit couvercle avec le doigt jusqu'à ce que le bruit d'évacuation s'arrête, puis relâchez le doigt.
- Connectez les tuyaux de l'unité intérieure avec deux clés. Faites particulièrement attention au couple admis comme illustré ci-dessous pour empêcher les tuyaux, les connecteurs et les raccords coniques d'être déformés et endommagés.
- Prévissez-les à la main d'abord, puis utilisez les clés.



☑ Si vous n'entendez pas le bruit de l'échappement, veuillez contacter le vendeur.

Modèle	Taille du tuyau	Couple	Largeur d'écrou	Épaisseur min.
9K-18K	Côté liquide (φ 6 mm ou 1/4 de pouce)	15~20N·m ou 11~15 pieds-livres	17 ou 5/8	0.5 ou 0.02
24K-36K	Côté liquide (φ 9.53 mm ou 3/8 de pouce)	30~35N·m ou 22~26 pieds-livres	22 ou 7/8	0.6 ou 0.024
9K-12K	côté gaz (φ 9.53 mm ou 3/8 de pouce)	30~35N·m ou 22~26 pieds-livres	22 ou 7/8	0.6 ou 0.024
18K	côté gaz (φ 12 mm ou 1/2 de pouce)	50~55N·m ou 37~41 pieds-livres	24 ou 0.94	0.6 ou 0.024
24K-36K	côté gaz (φ 16 mm ou 5/8 de pouce)	60~65N·m ou 44~48 pieds-livres	27 ou 1.1	0.6 ou 0.024
36K	côté gaz (φ 9.53 mm ou 3/8 de pouce)	60~65N·m ou 44~48 pieds-livres	32 ou 1.26	1.0 ou 0.039



**REMARQUE:** Les dimensions sont en « mm ou pouce », sauf si déclaré autrement dans le tableau

7) Après raccordement des tuyaux comme nécessaire, installez le tuyau de vidange. Connectez ensuite les cordons d'alimentation. Après connexion, enveloppez ensemble la tuyauterie, les cordons et le tuyau de vidange avec des matériaux thermiques d'isolation (fig.15 à fig.17).

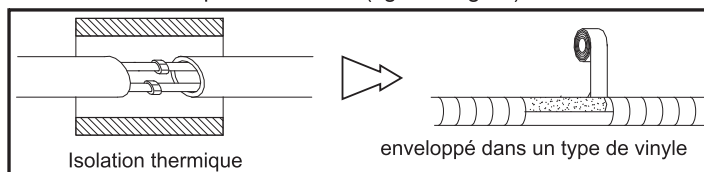


Fig. 15

**Remarque :** Enveloppez les joints de tuyauterie avec des matériaux d'isolation thermique et ensuite enveloppez-les avec un ruban en vinyle.

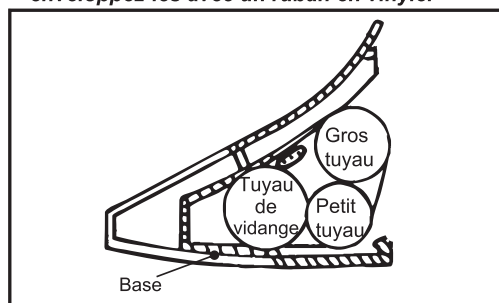


Fig. 16

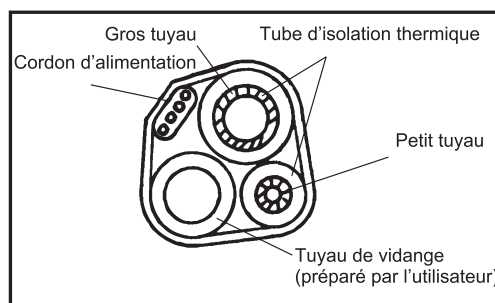


Fig. 17

**Remarque :** Placez le tuyau de vidange sous les tuyaux

**Remarque :** Le matériau d'isolation utilise de la mousse de polyéthylène de plus de 6 mm d'épaisseur.

**Remarque :** Le tuyau de vidange est préparé par l'utilisateur.

**Remarque :** Les figures dans ce manuel peuvent différer de celle du climatiseur que vous avez sélectionné.

# Instructions d'installation

## Installation de l'unité intérieure

8) Connectez le cordon d'alimentation (fig.18).

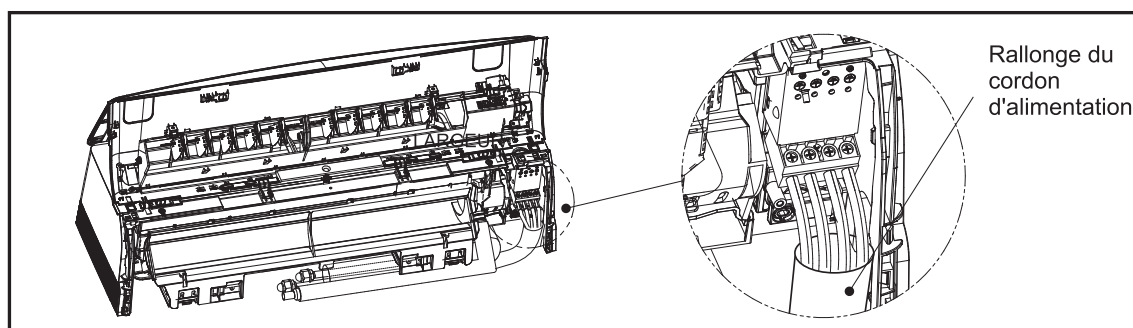


Fig. 18

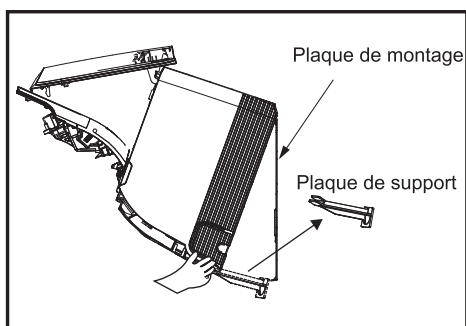


Fig. 19

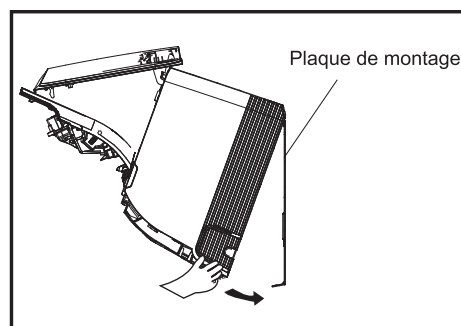


Fig. 20

9) Retirez la plaque de support comme illustré sur la fig.19. Puis déplacez l'unité étape par étape pour obtenir la meilleure installation, ensuite enfoncez les 2 sangles de la conduite de ventilation dans les 2 fentes du bas de la plaque de montage.(Fig.20 et Fig.21)

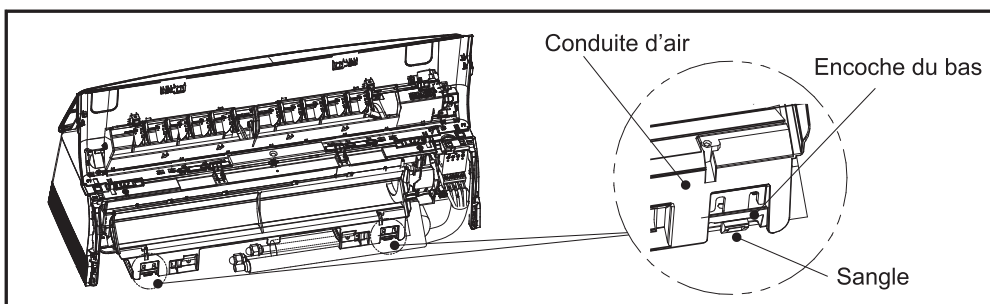


Fig. 21

**Remarque :** Les figures dans ce manuel peuvent différer de celle du climatiseur que vous avez sélectionné.

# Instructions d'installation

## Installation de l'unité intérieure

- 10) Tirez les déflecteurs comme illustrés sur la Fig. 22. Fermez la coque avant comme illustrée sur la Fig. 23. Ensuite en position E, appuyez pour attacher la coque avant comme illustrée sur la Fig. 24.

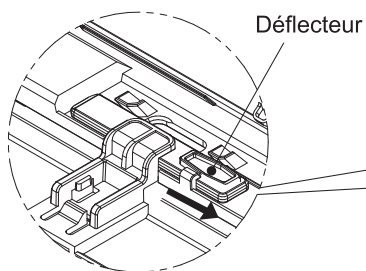


Fig. 22

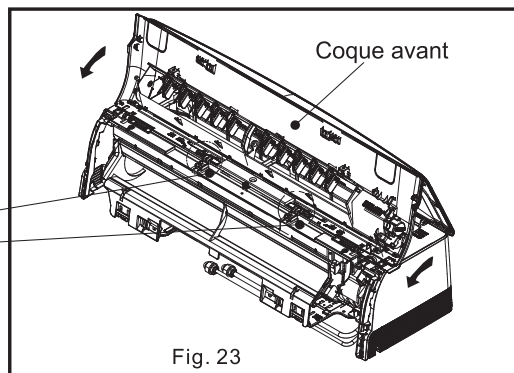


Fig. 23

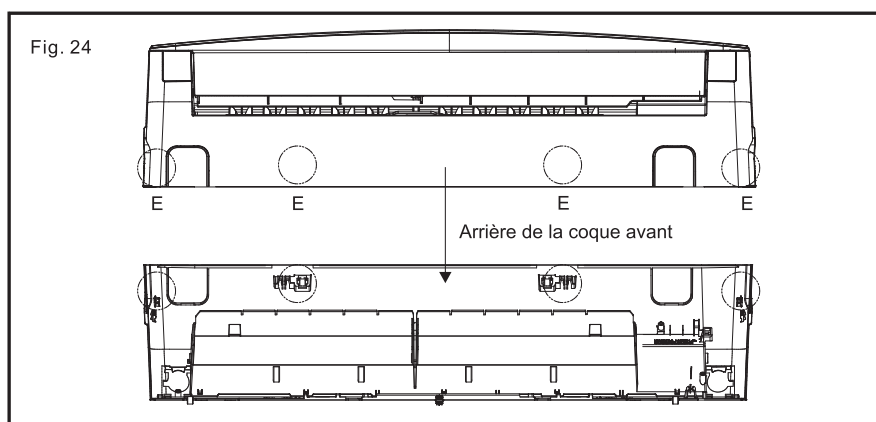


Fig. 24

- 11) Installez les vis et fermez les couvercles à vis comme illustrée sur la Fig.25 (Remarque: Pour certains modèles, vous devez installer 3 vis.)  
12) Fermez le panneau avant comme illustré sur la Fig. 26.

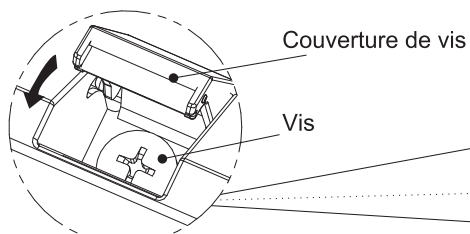


Fig. 25

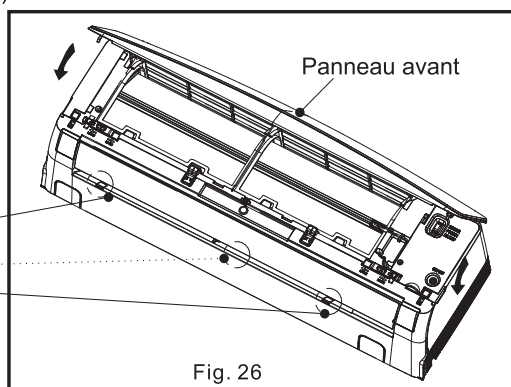


Fig. 26

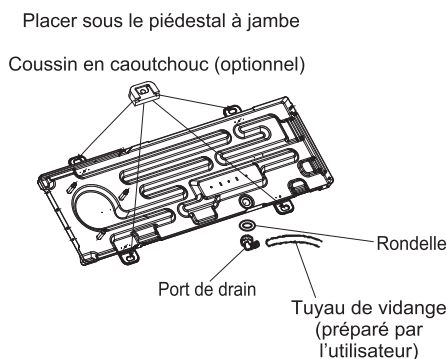
**Remarque :** Les figures dans ce manuel peuvent différer de celle du climatiseur que vous avez sélectionné.

# Instructions d'installation

## Installation de l'unité extérieure

### 1. Installez un drain de condensat pour l'unité extérieure

Les drains de condensat de l'unité extérieure quand l'unité fonctionne en mode chauffage. Afin de ne pas déranger votre voisin et de protéger l'environnement, installez un port de drain et un tuyau de drain pour diriger l'eau du condensat. Il suffit d'installer le port de drain et la rondelle en caoutchouc sur le châssis de l'unité extérieure, puis de connecter un tuyau de vidange au port comme le montre la figure de droite.



### 2. Installer un coussin de sol ou un support mural

1. Déterminez un emplacement convenable pour l'unité extérieure.
  2. Suivez toutes les instructions fournies par le fabricant pour l'installation des coussinets en caoutchouc des accroches murales.
  3. Vérifiez que les supports muraux ou le tampon en caoutchouc peuvent supporter le poids de l'unité extérieure en toute sécurité.
  4. Vérifiez que les supports muraux ou le coussin en caoutchouc sont à niveau et qu'ils respectent toutes les dimensions extérieures.
  5. Fixez avec des boulons et des écrous bien serrés sur un sol plat et solide.
- Si le support est installé sur le mur ou sur le toit, assurez-vous de bien le fixer pour éviter qu'il ne tremble en raison de vibrations importantes ou d'un vent fort.

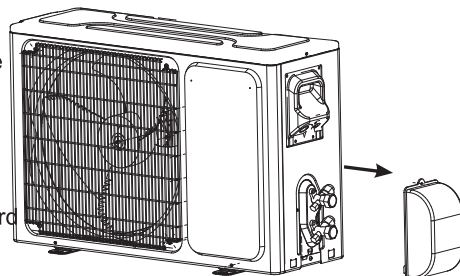
## **AVERTISSEMENT**

Les exigences de la Floride en matière de charge due au vent stipulent que l'unité extérieure doit être ancrée à la dalle de béton à l'aide de quatre boulons cunéiformes de 3/8 pouces de diamètre plus (ou l'équivalent) avec des rondelles anti-feu de 1 pouce de diamètre. Les boulons d'ancrage doivent être noyés dans du béton d'une pression minimale de 3000 PSI à une distance de 4 1/2 pouces de tout bord de béton. L'épaisseur du béton doit être supérieure à 1,5 fois la profondeur de l'ancrage.

# Instructions d'installation

## 3. Raccords des tuyaux à l'unité extérieure

- Retirez le couvercle de la vanne de service (si fourni) pour accéder aux vannes de service et aux ports de réfrigérant.
- Pliez et ajustez soigneusement la longueur des conduites de réfrigérant pour qu'elles correspondent aux raccords des vannes de service de l'unité extérieure avec les outils appropriés afin d'éviter les coudes.
- Appliquez une petite quantité d'huile réfrigérante sur le raccord évasé de la conduite de réfrigérant.
- Alignez correctement la tuyauterie et serrez l'écrou évasé à l'aide d'une clé standard et d'une clé dynamométrique, comme indiqué dans la section de tuyauterie intérieure.
- Serrez soigneusement les écrous évasés pour corriger le niveau de couple en se référant au tableau de couple suivant :



Couvercle de vanne de service

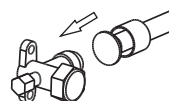


Tableau de couple

Diamètre de tube/pouce (mm)	Taille d'écrou/pouce (mm)	Couple de serrage	
		ft-lbs	N-m
1/4(6.35)	1/4(17)	11 to 15	15 to 20
3/8(9.5)	3/8(22)	22 to 26	30 to 35
1/2(12.7)	1/2(25)	37 to 41	50 to 55
5/8(15.9)	5/8(29)	44 to 48	60 to 65
3/4(19)	3/4(32)	52 to 55	70 to 75

**Remarque : Un serrage excessif peut endommager les raccords évasés et provoquer des fuites.**

# Instructions d'installation

## Alimentation et câblage

### Connexion du câble

#### • Unité intérieure

Connectez le cordon d'alimentation à l'unité intérieure en connectant les câbles aux terminaux sur le panneau de contrôle de manière individuelle conformément à la connexion de l'unité extérieure.

#### • Unité extérieure

1) Enlevez le panneau de croisement des câbles de l'unité en desserrant les vis. Connectez les câbles aux terminaux du panneau de contrôle individuellement comme suit.

2) Sécurisez le cordon d'alimentation sur le panneau de contrôle avec un serre-câbles.

3) Réinstallez le panneau de croisement du câble dans sa position originale avec les vis.

4) Utilisez un disjoncteur reconnu entre la source d'alimentation et l'unité. Un dispositif de déconnexion doit être mis en place afin de déconnecter toutes les lignes d'alimentation de manière adéquate.

Mise en garde :

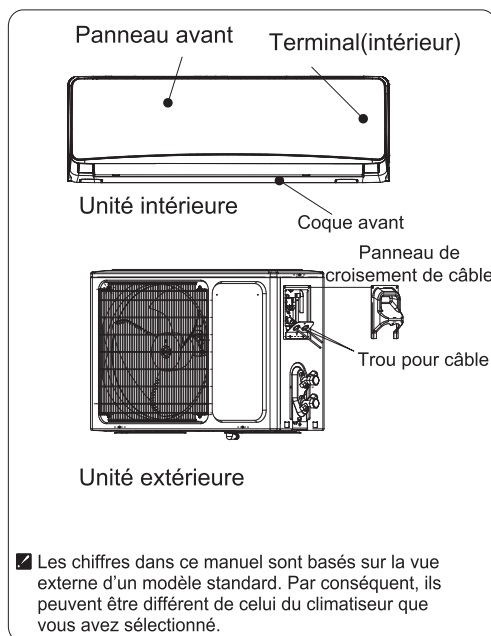
1. Ne manquez jamais d'avoir un circuit électrique individuel spécifiquement pour le climatiseur. Concernant la méthode de câblage, référez-vous au diagramme de circuit publié à l'intérieur de la porte d'accès.
2. Confirmez que l'épaisseur de câble est comme spécifiée dans les spécifications de la source d'alimentation électrique.
3. Vérifiez les câbles et assurez-vous qu'ils sont bien serrés après la connexion du câble.
4. Assurez-vous d'installer un disjoncteur à courant de fuite à la terre dans les zones humides.

### Spécifications du câble

capacité (Btuh)	Cordon d'alimentation		Rallonge du cordon d'alimentation	
	Type	Zones normales de section transversale	Type	Zones normales de section transversale
9K-12K(208/230V)	SJ TW	3X16 AWG	SJ TW	4X14 AWG
18K(208/230V)	SJ TW	3X14 AWG	SJ TW	4X14 AWG
24K-36K(208/230V)	SJ TW	3X12 AWG	SJ TW	4X14 AWG
9K, 12K(115V)	SJ TW	3X14 AWG	SJ TW	4X14 AWG

### Attention :

La fiche doit être accessible même après l'installation de l'appareil, au cas où il serait nécessaire de le débrancher. Si ce n'est pas possible, connectez l'appareil électrique à un dispositif de commutation bipolaire avec une séparation de contact d'au moins 3 mm placé dans une position accessible même après installation.

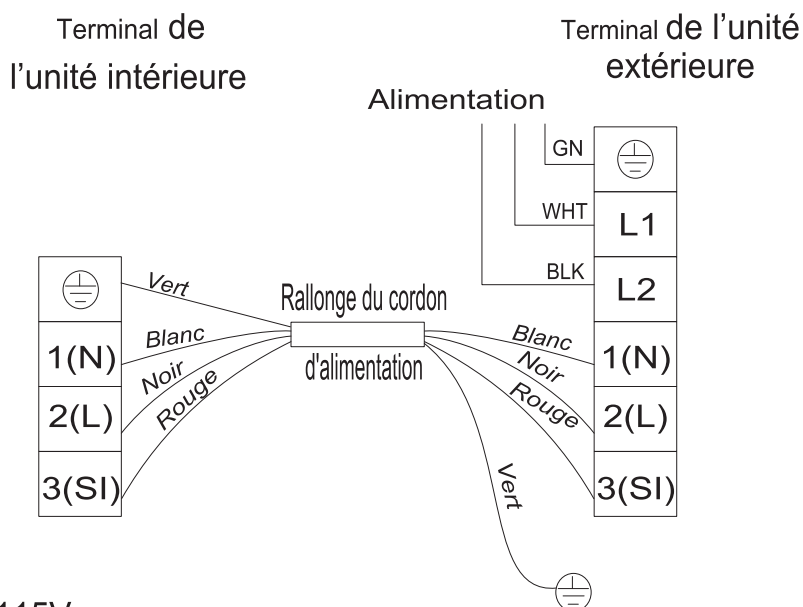


# Instructions d'installation

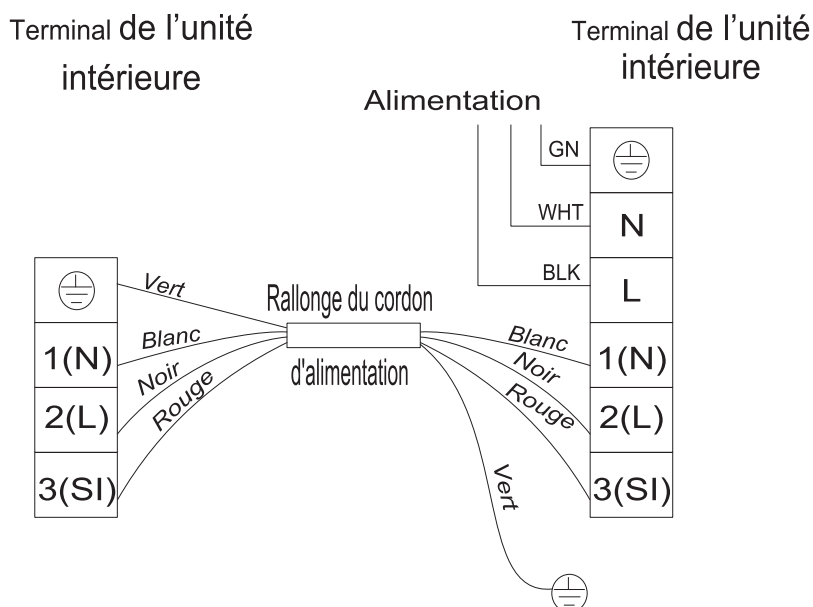
## Schéma de câblage

Assurez-vous que la couleur des fils de l'unité extérieure et du numéro de terminal est la même que celle de l'unité intérieure.

### 1) 208/230V



### 2) 115V



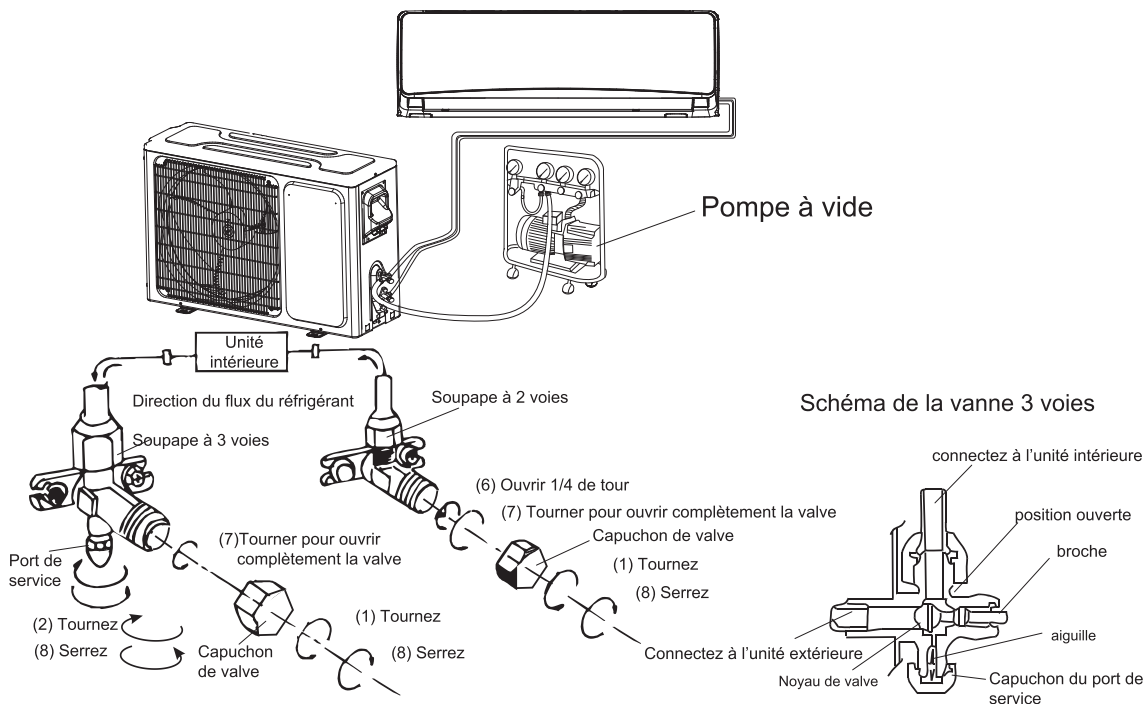
☑ Le schéma est pour référence uniquement, et le terminal réel doit prévaloir.

# Instructions d'installation

## Test et chargement sous vide

L'air qui contient l'humidité restant dans le cycle de réfrigération peut provoquer un dysfonctionnement du compresseur. Après avoir raccordé les unités intérieure et extérieure, évacuer l'air et l'humidité du cycle frigorifique à l'aide d'une pompe à vide, comme indiqué ci-dessous.

Remarque : Pour protéger l'environnement, veillez à ne pas décharger le réfrigérant directement dans l'air. Voir page suivante pour les étapes de purge d'air.



Comment mettre sous vide les tubes d'air :

- (1) Dévissez et enlevez les capuchons des vannes à 2 et 3 voies.
- (2) Dévissez et enlevez les capuchons de la vanne de service.
- (3) Raccordez le tuyau flexible de la pompe à vide à la vanne de service.
- (4) Démarrez la pompe à vide pendant 10-15 minutes jusqu'à atteindre une dépression absolue de 10 mm Hg.
- (5) Avec la pompe à vide toujours en marche, fermez le bouton basse pression du collecteur de la pompe à vide. Ensuite, arrêtez la pompe à vide.
- (6) Ouvrez la vanne 2 voies, 1/4 de tour, puis fermez-la après 10 secondes. Vérifiez l'étanchéité de tous les joints à l'aide d'un savon liquide ou d'un détecteur de fuites électronique.
- (7) Tournez la tige des vannes 2 et 3 voies pour fermer complètement les vannes. Débranchez le tuyau flexible de la pompe à vide.
- (8) Remettez en place et serrez tous les capuchons de valve.

# ***Instructions d'installation***

## **Démarrage**

### ***Essai de fonctionnement***

Effectuez un essai de fonctionnement après avoir complété les vérifications de fuite de gaz et de sécurité électrique.

1. Mettez en marche la déconnexion électrique de l'unité extérieure.
2. Enfoncez le bouton « MARCHE/ARRÊT » de la télécommande pour démarrer l'essai.
3. Enfoncez le bouton MODE, sélectionnez le mode REFROIDISSEMENT, CHAUFFAGE, VENTILATEUR pour confirmer toutes les fonctions.

### ***Vérifications de système***

1. Cachez les tuyaux de réfrigérants lorsque c'est possible.
2. Assurez-vous que les pentes des tuyaux de drain soient inclinées vers le bas sur toute sa longueur.
3. Assurez-vous que les tuyaux de réfrigérant et les raccords sont correctement installés.
4. Attachez les tuyaux à un mur extérieur, là où c'est possible.
5. Scellez et étanchéifiez le trou du mur par lequel passent les câbles d'interconnexion et les tuyaux réfrigérants.

### ***Unité intérieure***

1. Tous les boutons de la télécommande fonctionnent-elles correctement ?
2. Les lumières du panneau d'affichage fonctionnent-elles correctement ?
3. Les persiennes pivotantes fonctionnent-elles correctement ?
4. Le drain fonctionne-t-il ?

### ***Unité extérieure***

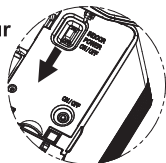
1. Appuyez sur le bouton de mode REFROIDISSEMENT et ajustez le réglage de la pièce sur 61 °F(16 °C) deg. et attendez jusqu'à 3 minutes à partir du temps de garde du compresseur. Le compresseur et le ventilateur extérieur s'allument-ils en mode refroidissement ?
2. Appuyez sur le bouton de mode CHAUFFAGE et ajustez le réglage de la pièce sur 85 °F(30 °C) deg. et attendez jusqu'à 3 minutes à partir du temps de garde du compresseur. Le compresseur et le ventilateur extérieur s'allument-ils en mode chauffage ?

# Entretien et maintenance

## Maintenance du panneau avant et de la coque

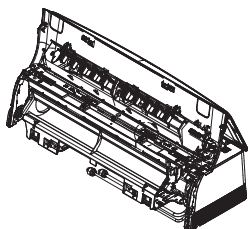
- 1** Coupez l'alimentation en déplaçant le commutateur d'alimentation dans la direction de la flèche.

Remarque : Éteignez l'appareil avant de couper l'alimentation électrique.



**2**

Ouvrir le panneau avant et la coque avant se référer à la Fig.9~Fig.12 de l'INSTALLATION DE L'UNITÉ INTÉRIEURE.



- 3** Essuyez avec un tissu souple et sec.

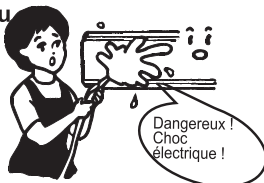
Utilisez un chiffon doux et humide pour nettoyer si le panneau avant est très sale.



- 4** N'utilisez jamais de substances volatiles comme de l'essence ou de la poudre à polir pour nettoyer l'appareil.

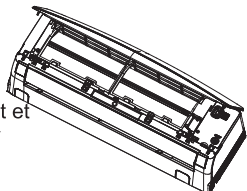


- 5** N'arrosez jamais l'unité intérieure avec de l'eau.



**6**

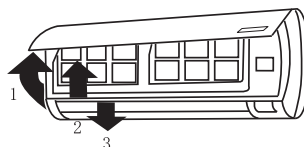
Fermez le panneau avant et la coque avant se référer aux Fig.22~Fig.26 de l'INSTALLATION DE L'UNITÉ INTÉRIEURE.



## Maintenance du filtre à air

Il est nécessaire de nettoyer le filtre à air après une utilisation d'environ 200 heures.  
Nettoyez comme suit :

- 1** Arrêtez l'appareil électrique et retirez le filtre à air.



1. Ouvrez le panneau frontal.
2. Appuyez sur la poignée du filtre délicatement depuis l'avant.
3. Attrapez la poignée et faites glisser le filtre à l'extérieur.

- 2** Nettoyez et réinstallez le filtre à air.

Si la saleté est visible, lavez avec une solution de détergent à l'eau tiède. Après le nettoyage, bien sécher à l'ombre.



- 3** Refermez le panneau avant.

Nettoyez le filtre à air toutes les deux semaines si le climatiseur fonctionne dans un environnement extrêmement poussiéreux.

# Entretien et maintenance

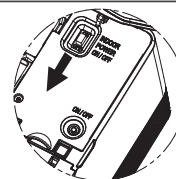
⚠ Ce qui suit est un nettoyage en profondeur et doit être effectué par un professionnel.

⚠ Il est strictement interdit aux utilisateurs d'opérer en privé, sinon ils le feront à leurs propres risques.

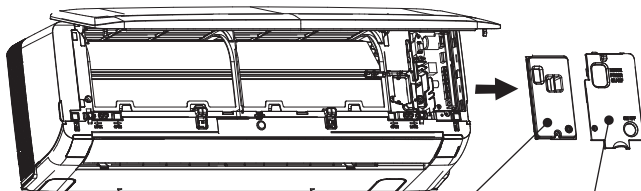
## Entretien de la coque avant, du conduit d'air et du ventilateur

- 1** Coupez l'alimentation en déplaçant le commutateur d'alimentation dans la direction de la flèche.

Remarque : Éteignez l'appareil avant de couper l'alimentation électrique.

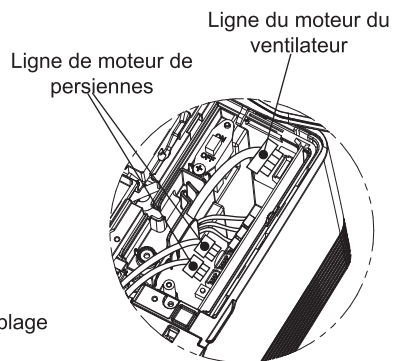


- 2** 1. Retirez le couvercle du câblage et le couvercle du boîtier électrique.  
2. Débranchez le câble du moteur du ventilateur et le câble du moteur des persiennes.



couvercle de boîte électrique

couvercle du câblage

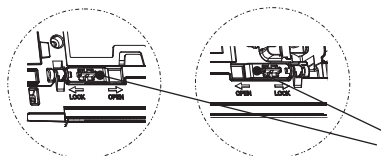


Ligne de moteur de persiennes

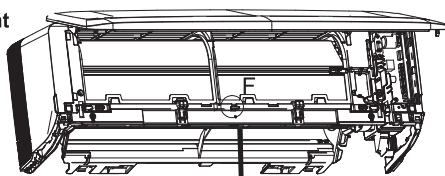
Ligne du moteur du ventilateur

- 3** 1 Ouvrez les couvercles des vis et retirez les vis en se référant à la Fig. 10 de l'INSTALLATION DE L'UNITÉ INTÉRIEURE.  
2. Ouvrez les axes de limite.  
3. Retirez la coque avant pour le nettoyage.

Remarque : Faites attention à la limite de la position F, certains modèles ont deux emplacements.  
Remarque : si vous voulez nettoyer la coque avant avec de l'eau propre, vous devez d'abord retirer tous les moteurs de la coque avant.



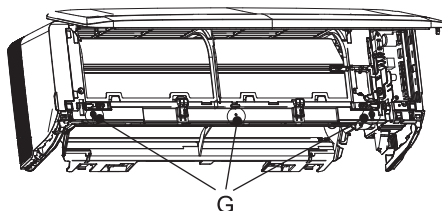
axe limite



Coque avant

- 4** Retirez les vis du conduit d'air (position G et position H).

Remarque : Les modèles de la série 808 n'ont pas de vis en position H.



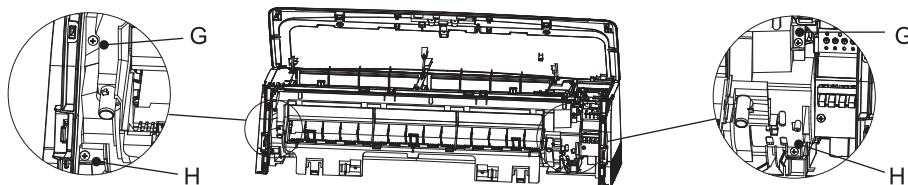
G

# Entretien et maintenance

- ⚠ Ce qui suit est un nettoyage en profondeur et doit être effectué par un professionnel.
- ⚠ Il est strictement interdit aux utilisateurs d'opérer en privé, sinon ils le feront à leurs propres risques.

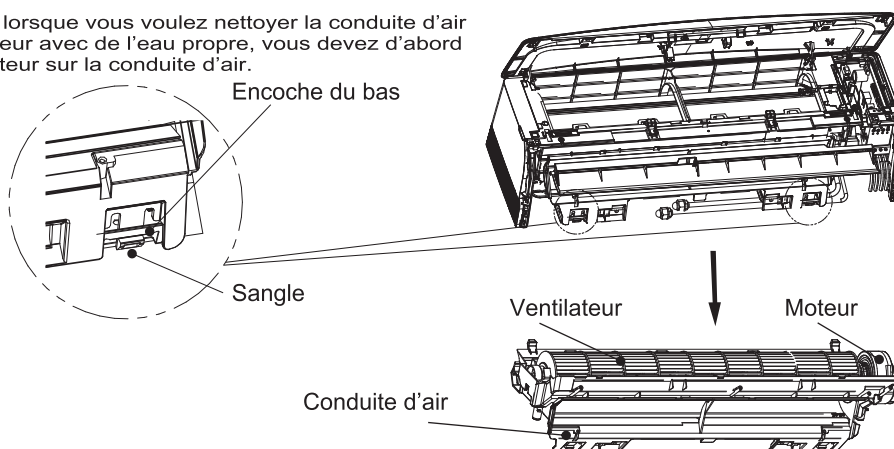
## Entretien de la coque avant, du conduit d'air et du ventilateur

- 4** Retirez les vis du conduit d'air. (position G et position H).  
Remarque : Les modèles de la série 808 n'ont pas de vis en position H.



- 5** 1. Appuyez sur les 2 sangles de la conduite d'air pour le dégager de 2 fentes du bas de la plaque de montage.  
2. Retirez la conduite d'air.

Remarque : lorsque vous voulez nettoyer la conduite d'air et le ventilateur avec de l'eau propre, vous devez d'abord retirer le moteur sur la conduite d'air.



- 6** Après le nettoyage, installez la machine conformément à la séquence de désassemblage.

Remarque : Si la coque avant, la conduite d'air et le ventilateur sont nettoyés avec de l'eau, ils doivent être entièrement séchés avant d'être installés.

# Protection

## Condition de fonctionnement

**L'appareil de protection peut se déclencher et arrêter l'appareil dans les cas listés ci-dessous.**

CHAUFFAGE	La température de l'air extérieur est supérieure à 75 °F(24 °C)
	La température de l'air extérieur est inférieure à -13°F(-25 °C)
	La température de la pièce est supérieure à 80,6 °F(27 °C)
REFROIDISSEMENT	La température de l'air extérieur est supérieure à 115 °F(46 °C)
	La température de la pièce est inférieure à 70 °F(21 °C)
DESHUMIDIFICATEUR	La température de la pièce est inférieure à 64,5°F(18°C)

*\*Pour les modèles à condition de climat tropical T3, le point de température est 131°F(55°C) au lieu de 109°F(43°C). La température de certains produits est autorisée au-delà de cette plage. Dans des situations particulières, veuillez consulter le marchand.*

*Si le climatiseur fonctionne en mode REFROIDISSEMENT ou SÉCHAGE avec la porte ou la fenêtre ouverte pendant un long moment lorsque l'humidité relative est supérieure à 80 %, des gouttes de rosée peuvent goutter depuis la sortie d'air.*

## Pollution sonore

- Installez le climatiseur à un endroit qui puisse supporter son poids afin qu'il puisse fonctionner plus tranquillement.
- Installez l'unité extérieure à un endroit où l'air déchargé et le bruit de l'opération n'ennuieront pas vos voisins.
- Ne placez aucun obstacle en face de la sortie d'air de l'unité extérieure, car cela augmente le niveau de bruit.

## Caractéristiques du protecteur

**L'appareil de protection fonctionnera dans les cas suivants.**

- 1 Lors du redémarrage de l'unité après un arrêt de fonctionnement ou un changement de mode pendant le fonctionnement, vous devez patienter 3 minutes.
- 2 Si l'ensemble du fonctionnement est arrêté, appuyez à nouveau sur le bouton **MARCHE/ARRÊT** pour redémarrer, la Minuterie devrait être à nouveau réglée si elle a été annulée.

## Caractéristiques du mode CHAUFFAGE

### Préchauffage

Au début de l'opération de CHAUFFAGE, le flux d'air de l'unité intérieur est déchargé de 2 à 5 minutes plus tard.

### Dégivrage

Pendant le fonctionnement en mode CHAUFFAGE, l'appareil électrique se dégivrera automatiquement pour augmenter l'efficacité. Cette procédure a généralement une durée de 2 à 10 minutes. Pendant le dégivrage, les ventilateurs arrêtent de tourner. Une fois le dégivrage complété, il retournera automatiquement en mode CHAUFFAGE.

**Note: Le chauffage n'est PAS disponible pour les modèles de climatiseur à refroidissement seulement.**


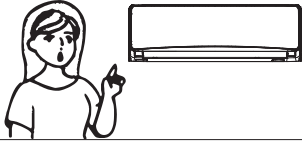
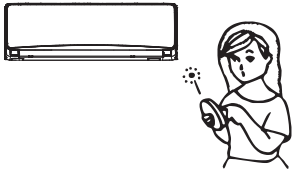
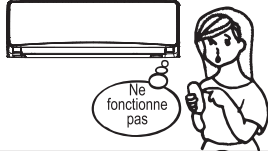
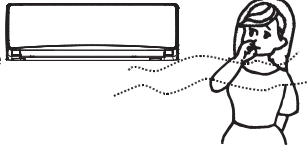
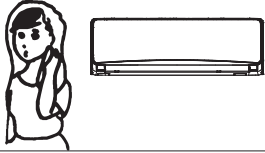
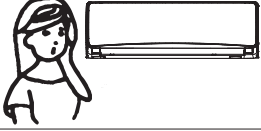
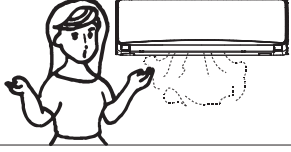
## Conseils pour économiser de l'énergie

---

- 1. Assouplir la température de la pièce pendant la nuit est OK:** Pendant les heures nocturnes, vous n'avez pas besoin du même niveau de refroidissement ou de chauffage. Essayez d'utiliser le mode veille pour assouplir graduellement la température de la pièce et permettre à l'unité de fonctionner à un régime plus faible pour économiser de l'énergie.
- 2. Rideaux et stores :** En été, vous devez bloquer les effets du soleil. Fermez les fenêtres, les rideaux et les stores des côtés sud et ouest de votre domicile pour aider à bloquer la chaleur du soleil. En hiver, le soleil est votre ami. Ouvrez les stores et les rideaux pour permettre au soleil de chauffer votre pièce.
- 3. Fermez les portes :** Fermez les portes votre maison entière, confinez le chauffage et le refroidissement dans une pièce en fermant les portes. Limitez l'espace que vous chauffez et refroidissez à une capacité spécifiée de l'unité.
- 4. Maintenance de l'unité :** Une maintenance basique peut être l'unique chose dont vous avez besoin. L'unité extérieure bénéficiera grandement d'un bon arrosage, particulièrement dans les espaces boisés où des graines et autres débris peuvent se coller dans les ailettes des spirales et rendre difficile le fonctionnement de l'unité !
- 5. Réarrangez la pièce :** Du mobilier qui gêne le flux d'air signifie que vous pourriez chauffer ou refroidir l'arrière de la chaise ou l'avant du canapé au lieu de l'espace de vie. Utilisez les persiennes pivotantes pour aider à diriger l'air dans la bonne direction pour la pièce ; retirez et réarrangez les obstacles bloquant le flux d'air.
- 6. Essayez 75 degrés :** 75 °F (24 °C) est une bonne température pour le fonctionnement d'un climatiseur à un niveau optimal. Même un changement de 1 degré de la température peut faire que l'unité utilise plus d'énergie !
- 7. Éclairage :** Éteindre les lumières peut aider à réduire la chaleur. Chaque ampoule est un petit chauffage. Votre climatiseur doit évacuer l'énergie pour vaincre la chaleur provenant de vos luminaires pour atteindre et maintenir la température souhaitée de la pièce.
- 8. Y a-t-il quelqu'un à la maison ?** Si possible, lorsque vous êtes de sortie, réglez votre unité sur le mode automatique et assurez vous que les fenêtres et les rideaux sont fermés. En dépit du fait que la température de la pièce sera inconfortable pendant quelques minutes lorsque vous rentrerez à la maison, l'unité remettra la pièce à la température souhaitée en très peu de temps.
- 9. N'oubliez pas le ventilateur :** Le ventilateur est similaire à une voiture. Plus il tourne vite, plus il consomme d'énergie. Parfois, nous avons besoin que la voiture aille vite, mais rouler lentement est suffisant la plupart du temps. Essayez d'économiser de l'argent en utilisant la vitesse de ventilateur faible autant que possible.

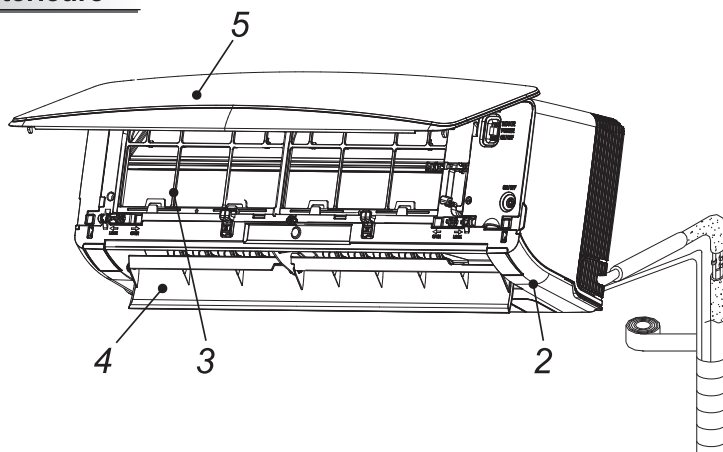
# Dépannage

Les cas suivants peuvent ne pas toujours constituer un dysfonctionnement, veuillez vérifier avant de demander une intervention de maintenance.

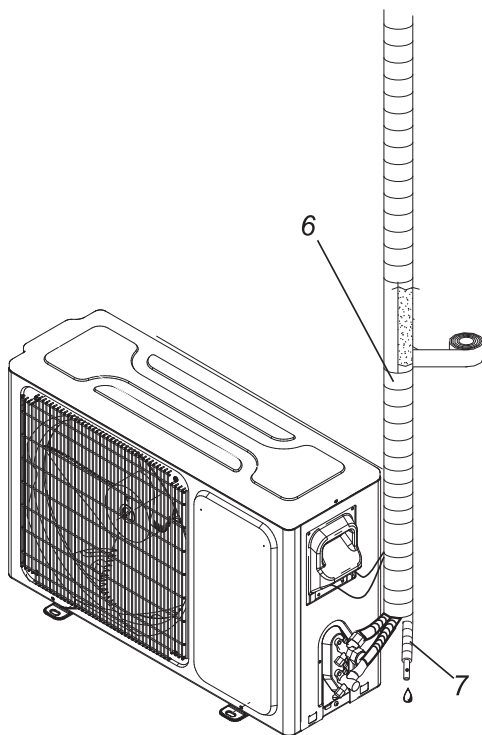
Problème	Analyse
<p>Ne fonctionne pas</p> 	<ul style="list-style-type: none"> <li>• Si le protecteur se déclenche ou que le fusible est grillé, veuillez attendre 3 minutes et redémarrez. L'appareil protecteur peut empêcher l'unité de fonctionner.</li> <li>• Les piles de la télécommande peuvent être hors d'usage.</li> <li>• Vérifiez si l'appareil électrique est branché correctement.</li> </ul>
<p>Aucun air froid ou chaud</p> 	<ul style="list-style-type: none"> <li>• Le filtre à air est-il sale ?</li> <li>• Les entrées et les sorties du climatiseur sont-elles bloquées ?</li> <li>• La température est-elle réglée convenablement ?</li> </ul>
<p>Contrôle inefficace</p> 	<ul style="list-style-type: none"> <li>• S'il y a une forte interférence (provenant d'une décharge d'électricité statique excessive ou d'une anomalie de la tension d'alimentation électrique), l'appareil électrique peut fonctionner de manière anormale. Déconnectez l'alimentation électrique et reconnectez-là 2 à 3 secondes plus tard.</li> </ul>
<p>Ne fonctionne pas immédiatement</p> 	<ul style="list-style-type: none"> <li>• S'il y a un changement du mode pendant le fonctionnement, il y aura un retard de 3 minutes.</li> </ul>
<p>Odeur étrange</p> 	<ul style="list-style-type: none"> <li>• Cette odeur peut provenir d'une autre source telle que le mobilier, une cigarette, etc, qui est aspirée dans l'unité et est rejetée avec l'air.</li> </ul>
<p>Un son d'eau qui s'écoule</p> 	<ul style="list-style-type: none"> <li>• Causé par le flux de réfrigérant dans le climatiseur. Ce n'est pas une cause de préoccupation. Son de dégivrage pendant le mode chauffage.</li> </ul>
<p>Un son de craquement est émis.</p> 	<ul style="list-style-type: none"> <li>• Le son peut être généré par l'expansion ou la contraction du panneau avant à cause d'un changement de température.</li> </ul>
<p>Formation de brume depuis la sortie</p> 	<ul style="list-style-type: none"> <li>• La brume apparaît quand l'air dans la pièce devient très froid. C'est à cause de l'air froid déchargé depuis l'unité intérieure pendant les modes REFROIDISSEMENT et SEC.</li> </ul>
<p>Le compresseur indique que les luminaires sont allumés en permanence, l'indicateur de fonctionnement clignote et le ventilateur intérieur s'arrête.</p>	<ul style="list-style-type: none"> <li>• L'unité est décalée depuis le mode chauffage vers le dégivrage. L'indicateur s'éteindra et retournera en mode chauffage.</li> </ul>

# Identification des pièces

## Unité intérieure



## Unité extérieure



Nom de la pièce

1. Télécommande

2. Coque avant

3. Filtre à air

4. Persienne horizontale

5. Panneau avant

6. Tuyaux et cordon de connexion d'alimentation

7. Tuyau de vidange

☑ Les chiffres dans ce manuel sont basés sur la vue externe d'un modèle standard. Par conséquent, ils peuvent être différents de celui du climatiseur que vous avez sélectionné.

# Introduction de l'affichage

Indicateur de température ..... 1



Affiche la température réglée  
 Il affiche FC après 200 heures d'utilisation pour rappeler que le filtre doit être nettoyé.  
 Après le nettoyage du filtre, appuyez sur le bouton de réinitialisation du filtre situé sur l'unité intérieure derrière le panneau avant, afin de réinitialiser l'affichage (optionnel).  
 Il affiche l'humidité réglée en mode humidité (optionnel).



Indicateur de fonctionnement ..... 2

Il s'allume lorsque le climatiseur fonctionne.  
 Il clignote durant le dégivrage.



Indicateur de minuterie ..... 3

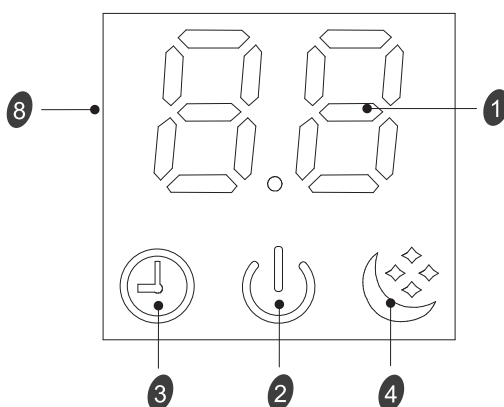
Il s'allume pendant le temps réglé.



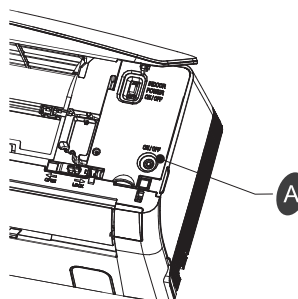
Indicateur de veille ..... 4

Il s'allume en mode veille.

Récepteur de signal ..... 8



Bouton d'urgence A



**ON/OFF** Pour faire fonctionner ou arrêter le AC en appuyant sur le bouton.

☑ Le symbole peut être différent de ces modèles, mais les fonctions sont similaires.

