

This Owner's Manual is provided and hosted by [Appliance Factory Parts](#).



FRIEDRICH MRH09Y3JA Owner's Manual

[Shop genuine replacement parts for FRIEDRICH
MRH09Y3JA](#)



[Find Your FRIEDRICH Air Conditioner Parts - Select From 1575 Models](#)

----- Manual continues below -----



FRIEDRICH

1883

Installation Manual

DUCTLESS SPLIT SYSTEMS



ENGLISH

FRANÇAIS

ESPAÑOL



Manual for:

MWH09Y3JA
MWH12Y3JA
MRH09Y3JA
MRH12Y3JA

THE EXPERTS IN ROOM AIR CONDITIONING

Contents

Safety Instructions	1
Preparation before Use	2
Preset	2
Safeguarding the Environment	2
Safety Precautions	3
Identification of Parts	4
Indoor Unit	4
Outdoor Unit	4
Display Introduction	5
Care and Maintenance	6
Protection	7
Troubleshooting	8
Installation Instructions	9
Installation Diagram	9
Suggested Tools	10
Site Instructions	11
Indoor Unit Installation	12
Outdoor Unit Installation	16
Power and Wiring	18
Vacuum Testing and Charging	20
Start-up	21

Remote controller operating instructions. See "remote controller instructions".

Safety Instructions

- To ensure proper operation, please review this manual prior to installation.
- Proper triple evacuation should be followed during installation.
- Follow proper grounding and bonding to ensure protection of users and equipment.
- Verify that wire terminals are tight and no wires are loose, also ensure there are no leaks at flare joints prior to applying power to system.
- Properly sized breaker should be installed before unit is in operation.
- Please keep manual for future use and for future users.
- Fuse values:

Model	Fuse of Indoor unit	Fuse of outdoor unit
9K-12K(208/230V)	T 3.15A 250V	T 15A 250V

- Verify power is completely disconnected before servicing equipment.
- Equipment is developed and certified with a 25ft. line-set.
- Follow local rules and regulations on disposal of batteries.
- The appliance shall be installed in accordance with local electrical safety regulations and National Electrical Codes(NEC).
- The air conditioner must be installed by professional or qualified persons.

Preparation before Use

Note

- Follow proper charging methods, R410A must be added in a liquid state if added as a gas, separation of the refrigerant may occur and cause system to perform incorrectly.
- System pressures can run high with R410A, please exercise caution when servicing equipment.
- The air conditioner must be installed by trained, qualified installers and service mechanics.
- The temperature of refrigerant circuit will be high, please keep the interconnection cable away from the copper tube.

Safeguarding the environment

This appliance is made of recyclable or re-usable material. Scrapping must be carried out in compliance with local waste disposal regulations.

For more detailed information on handling and recycling this product, contact your local authorities who deal with the separate collection of rubbish or the shop where you bought the appliance.

SCRAPPING OF APPLIANCE

This marking indicates that this product should not be disposed with other household wastes throughout the North America. To prevent possible harm to the environment or human health from uncontrolled waste disposal, recycle it responsibly to promote the sustainable reuse of material resources. To return your used device, please use the return and collection systems or contact the retailer where the product was purchased. They can take this product for environmental safe recycling.



Safety Precautions

Symbols in this Use and Care Manual are interpreted as shown below.



Be sure not to do.














Grounding is essential.



Pay attention to such a situation.

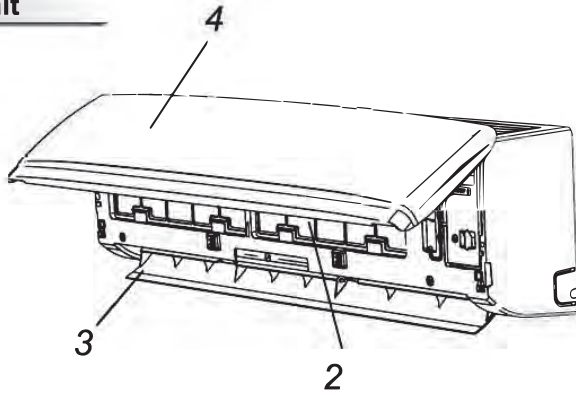


Warning: Incorrect handling could cause a serious hazard, such as death, serious injury, etc.

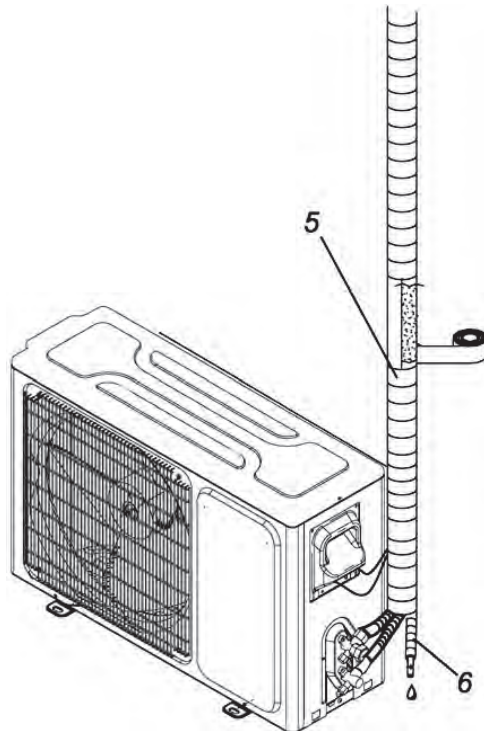
 <p>Use correct power supply in accordance with the rating plate requirement. Otherwise, serious faults or hazard may occur or a fire maybe break out.</p>	 <p>Keep the power supply circuit breaker or plug from dirt. Connect the power supply cord to it firmly and correctly, lest an electric shock or a fire break out due to insufficient contact.</p>	 <p>Do not use the power supply circuit breaker or pull off the plug to turn it off during operation. This may cause a fire due to spark, etc.</p>
 <p>Do not knit, pull or press the power supply cord, lest the power supply cord be broken. An electric shock or fire is probably caused by a broken power supply cord.</p>	 <p>Never insert a stick or similar obstacle to the unit. Since the fan rotates at high speed, this may cause an injury.</p>	<p>It is harmful to your health if the cool air reaches you for a long time. It is advisable to let the air flow be deflected to all the room.</p>
 <p>Turn off the appliance by remote control firstly before cutting off power supply if malfunction occurs.</p>	 <p>Do not repair the appliance by yourself. If this is done incorrectly, it may cause an electric shock, etc.</p>	 <p>Prevent the air flow from reaching the gas burners and stove.</p>
 <p>Do not touch the operation buttons when your hands are wet.</p>	 <p>Do not put any objects on the outdoor unit.</p>	 <p>It is the user's responsibility to make the appliance be grounded according to local codes or ordinances by a licenced technician.</p>

Identification of Parts

Indoor unit



Outdoor unit







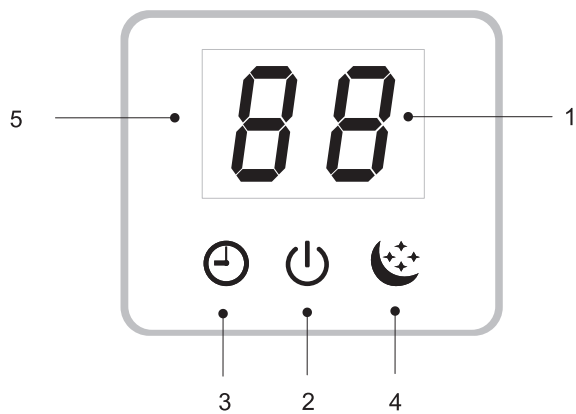
Part Name

- 1. Remote Controller
- 2. Air Filter
- 3. Horizontal Louvers
- 4. Front Panel
- 5. Pipes and Power Connection Cord
- 6. Drain Hose

☑ The figures in this manual are based on the external view of a standard model. Consequently, the shape may differ from that of the air conditioner you have selected.

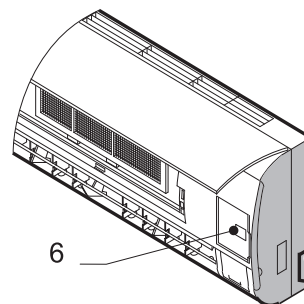
Display Introduction

	Temperature indicator 1 Display set temperature.
	Timer indicator 2 It lights up during set time.
	Sleep indicator 3 It lights up in sleep mode.
	Running Indicator 4 It lights up when the AC is running. It flashes during defrosting.
	IR receiver 5





Manual operation button 6

ON/OFF To let the AC run or stop by pressing the button.



Care and Maintenance

Front panel maintenance

1. Disconnect power supply
2. Pull front panel by sides, lift to open.
3. Wipe with a soft and dry cloth.
4. Use non-abrasive cleaners to wipe appliance.

5. Do not spray or pour water into appliance, delicate electronics inside.

6. Reinstall and shut the front panel.
Reinstall and shut the front panel by pressing position "b" downward.

Air filter maintenance

It is necessary to clean the air filter after using it for about 200 hours.

Clean it as follows:

1. Stop the appliance and remove the air filter.
 1. Open the front panel.
 2. Press the handle of the filter gently from the front.
 3. Grasp the handle and slide out the filter.
2. Clean and reinstall the air filter.

If filters are dirty or clogged, vacuum or wash in sink with warm water and allow to dry before re-installation.
3. Close the front panel again.
 - Clean the air filter every two weeks if the air conditioner operates in an extremely dusty environment.

System protection

Operating condition	
The protective device maybe trip and stop the appliance in the cases listed below.	
HEATING	Outdoor air temperature is over 75°F(24°C)
	Outdoor air temperature is below -13°F(-25°C)
	Room temperature is over 80.6°F(27°C)
COOLING	Outdoor air temperature is over *115°F(46°C)
	Room temperature is below 70°F(21°C)
DRY	Room temperature is below 64.5°F(18°C)

- | For quiet operation |
|--|
| <ul style="list-style-type: none"> • Ensure the wall bracket is installed firmly to the wall and mounted with proper anchors. • Install the outdoor unit in an area where air discharge will be unobstructed and won't effect neighboring buildings. |

- | System protection |
|---|
| <ol style="list-style-type: none"> 1. Compressor protection will require 3 minute reset is system if shutdown by system protection. 2. If system has stopped-cycle power at the remote to restart, if there was a timer set please set again. |

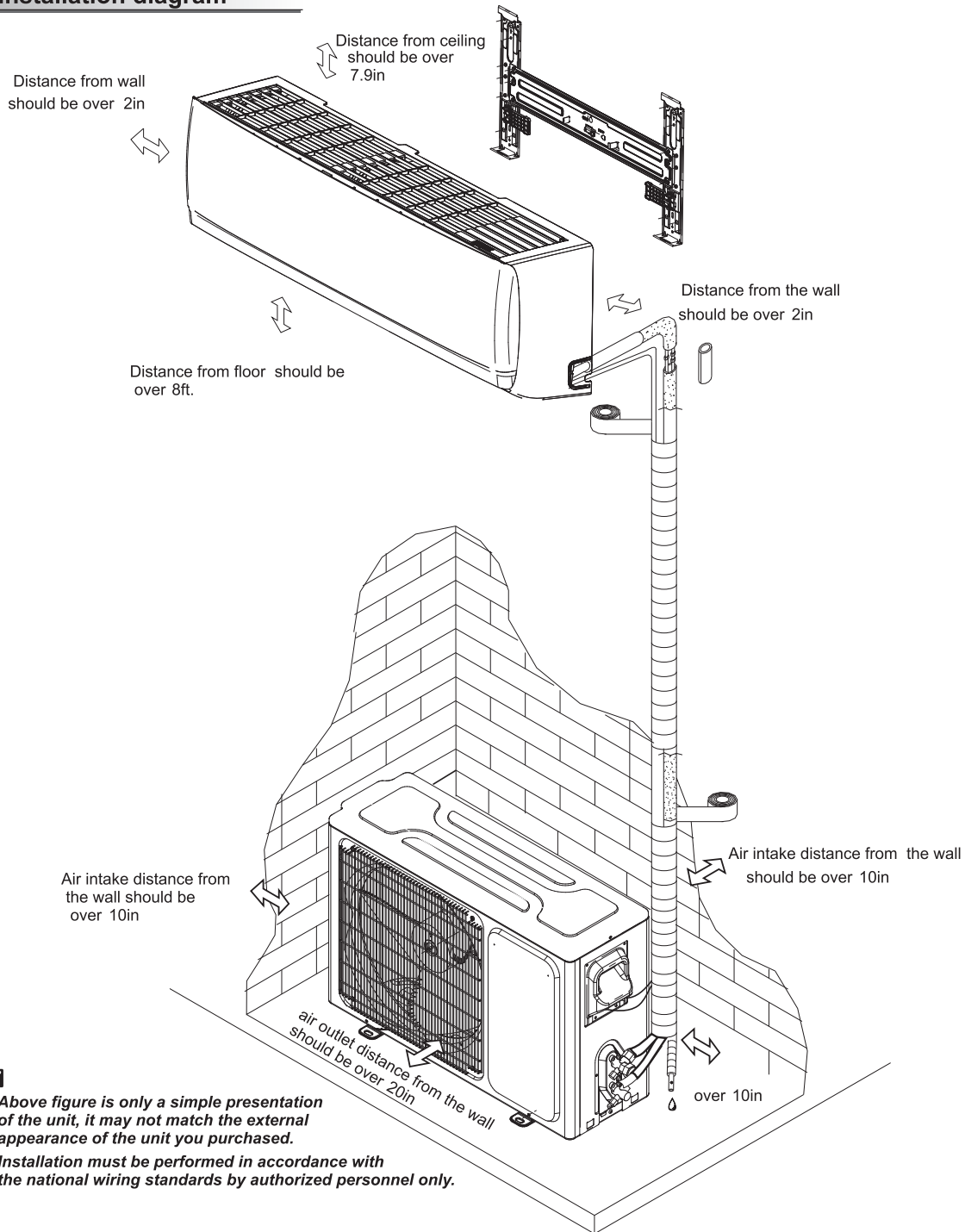
Features of HEATING mode
<p>Preheat</p> <p>When heating operation begins unit will not open louvers until coil temperature reaches 86 °F, once coil sensor is satisfied louvers will open. This is to keep cold air from being discharged.</p> <p>Defrost</p> <p>In HEATING operation the appliance will defrost (de-ice) automatically to raise efficiency. This procedure usually lasts 2-10 minutes. During defrosting, fans stop operation. After defrosting completes, it returns to HEATING mode automatically.</p>

Troubleshooting

Issue	Possible cause
Unit does not run	<ul style="list-style-type: none"> • Check breakers to ensure they are not tripped. (If tripped please contact your local service for inspection) Ensure batteries in remote control are still good.
No cooling or Heating	<ul style="list-style-type: none"> • Has the air filter been cleaned? • Is there adequate airflow to the air conditioner? • Adjust the set point of air conditioner
System does not seem to control properly	<ul style="list-style-type: none"> • The precision inverter system supplies communications between the outdoor portion of the system and indoor if Radio frequency or Electromagnetic interference is strong, system may not work properly. <ul style="list-style-type: none"> -Neon signs -Telecommunications equipment -High tension power line -TV interference <p>Can all cause the system to not work properly, if these exist in your installation please consult your installer for proper protections during installation.</p>
System does not operate when buttons are pressed	<ul style="list-style-type: none"> • If modes have changed or multiple modes have changed at one time, the compressor has a 3 minute time delay which must time out before operation.
Strange odor	<ul style="list-style-type: none"> • Please have a licensed contractor inspect system, coils may need to be cleaned.
Sound of water or gurgling noise	<ul style="list-style-type: none"> • Changes in the flow of refrigerant in the cooling/heating coils can sometime be audible due to changing speeds of the compressor, this is normal. • If in heat pump mode system may be in defrost and water may be draining out of the unit.
Clicking or cracking sound	<ul style="list-style-type: none"> • This could be the plastic material expanding or contracting due to rapidly changing temperatures.

Installation Instructions

Installation diagram



Installation Instructions

Suggested Tools

In order to install your air-conditioner more conveniently and safely, you might use those special tools listed below.

Standard Wrench

Screw Driver

Hex Keys or Allen Wrenches

Adjustable/Crescent Wrench

Torque wrench

Drill & Drill Bits

Manifold and Gauges

Vacuum Pump

Clamp on Amp Meter

Level

Work Gloves

Safety Glasses

Pipe Cutter

Refrigerant Scale

R410A Flaring Tool

Micron Gauge

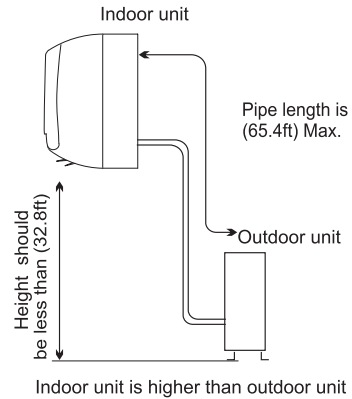
Hole Saw

Installation Instructions

Site Instructions

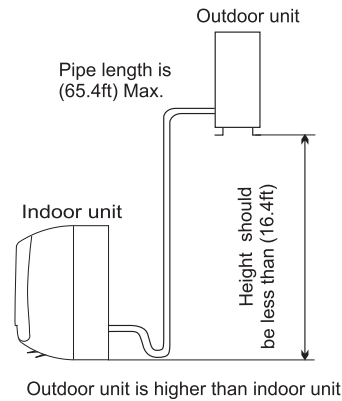
Site for Installing Indoor Unit

- Ensure that unit is mounted where air flow will not be restricted.
- Keep the required space from the unit to the ceiling and wall according to the installation diagram on previous page.
- Where the air filter can be easily removed.
- Keep the obstacles between the indoor unit and remote controller 3ft away from any source of radio frequency or electromagnet interference
- keep as far as possible from fluorescent lamps.
- Do not put anything near the air inlet to obstruct airflow.
- Install on a wall that is strong enough to bear the weight of the unit.
- Install in a place that will not increase operation noise and vibration.
- Keep away from direct sunlight and heating sources. Do not place flammable materials or combustion apparatuses on top of the unit.



Site for Installing Outdoor Unit

- Clear open space with good unrestricted airflow.
- Avoid installing it where flammable gas could leak.
- Keep the required distance apart from the wall.
- Keep the outdoor unit away from greasy dirt.
- A fixed base where it is not subject to increased operation noise.
- Where there is not any blockage of the air outlet.
- Avoid installing under direct sunlight, in an aisle or sideways, or near heat sources and ventilation fans. Keep away from flammable materials, thick oil fog, and wet or uneven places.
- In case the pipe length is more than (24.6ft), the refrigerant should be charged additionally, according to below table.



Model	Required amount of additional refrigerant (oz/ft)
9K-12K	0.2

If the height or pipe length is out of the scope of the table, please consult your installer or Friedrich Air Conditioning.

Installation instructions

Indoor unit installation

1. Installing the Mounting Plate

- 1) Decide an installing location for the mounting plate according to the indoor unit location and piping direction.
- 2) Find the center of the mounting plate according to the mark on it. Then install a screw to fix it preliminary.
- 3) Keep the mounting plate horizontally with a horizontal ruler or dropping line.
- 4) Insert the plastic plugs to the hole, fix the mounting plate with tapping screws.
- 5) Align the 2 holes of the template with the 2 holes of the mounting plate as shown in Fig. 1.
- 6) Inspect if the mounting plate is well fixed. Then drill a hole for piping.

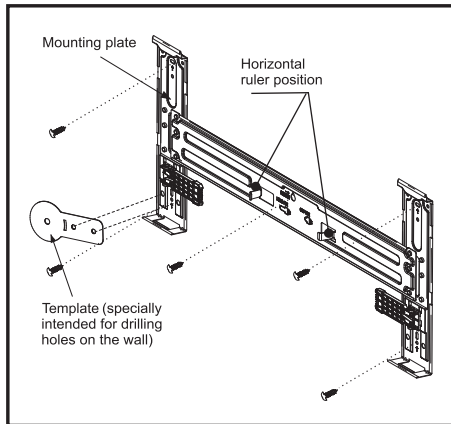


Fig. 1

2. Drill a Hole for Piping

- 1) Decide the position of hole for piping according to the location of mounting plate (see the position and size of the template as shown in Fig. 1).
- 2) Drill a hole on the wall. The hole should tilt a little downward toward outside.
- 3) Install a sleeve through the wall hole to keep the wall tidy and clean.

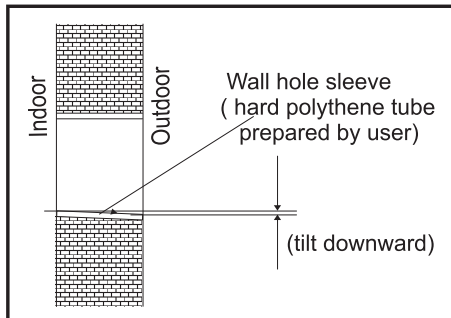


Fig. 2

Note: If you have a hole on the wall, you need to align the round part of the paper board with the hole on the wall. Then align the 2 holes of the mounting plate with the 2 holes of the paper board (shown in fig. 1) to decide the installing location for the mounting plate.

3. Piping Provision

- 1) Put the piping (liquid and gas pipe) and cables through the wall hole from outside.
- 2) Cut the pipe and cable. Cut the liquid pipe and gas pipe to the right length according to the position mark on the wall mounting plate (Fig. 3). Ensure that the cut is flat (Fig. 4).

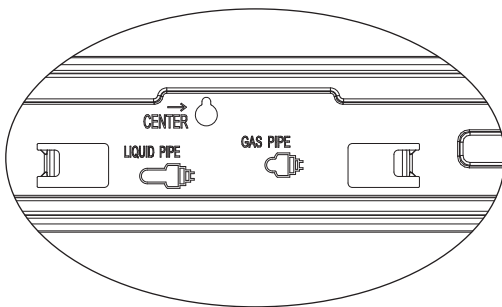


Fig. 3

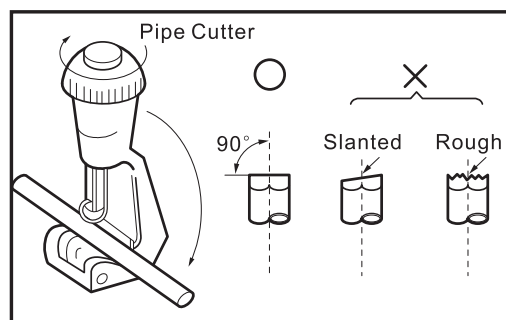


Fig. 4

Note: The shape of your mounting plate may be different from the one above, but installation method is similar.

Installation instructions

Indoor unit installation

- 3) Remove burrs on the cutting edges. Keep the pipe outlet down to avoid the metal powder into the pipe(Fig. 5).
- 4) Flare the pipes. Insert the pipe outlet into the copper nut before flaring the pipe. Ensure that the hole is flat with sound surface and even thickness. (Fig. 6)

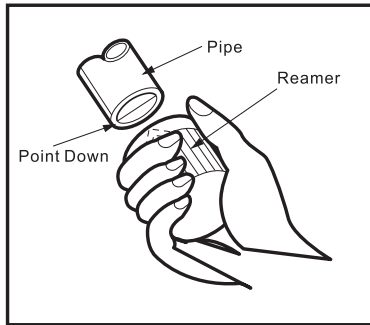


Fig. 5

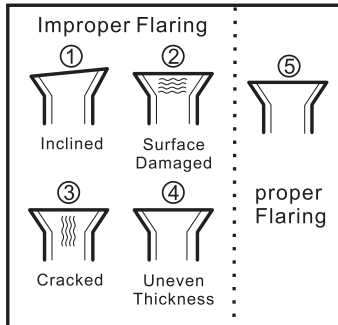


Fig. 6

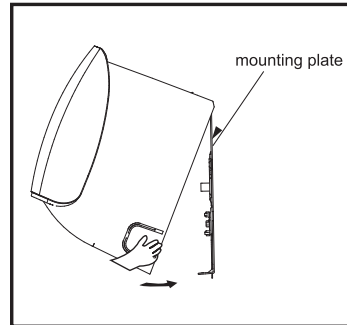


Fig. 7

4. Indoor Unit Piping Installation

- 1) Hang the unit onto mounting plate(Fig. 7).
- 2) Open the screw cover as shown in Fig. 8 and remove the screw. Then remove the trim panel as shown in Fig. 9.

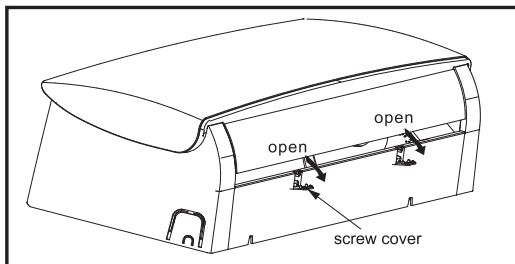


Fig. 8

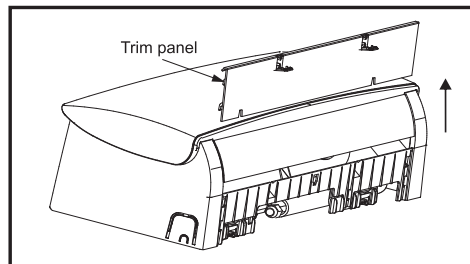


Fig. 9

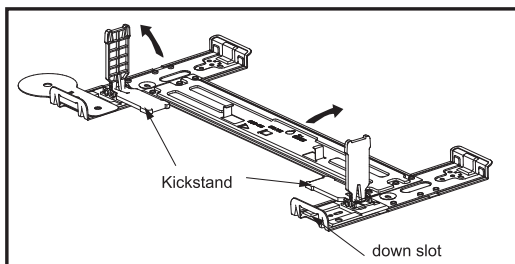


Fig. 10

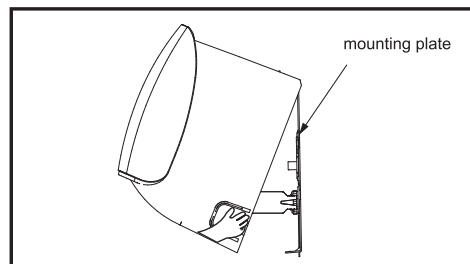


Fig. 11

- 3) Open the two supports on the wall mounting plate to 90 degrees as shown in Fig. 10 and move the unit step by step to reach the best location(Fig. 11).

Installation instructions

Indoor unit installation

4) Refer to Fig.12 to connect the piping.

Piping Connection:

- a. Connect indoor unit pipes with two wrenches. Pay special attention to the allowed torque as shown below to prevent the pipes, connectors and flare nuts from being deformed and damaged.
- b. Pre-tighten them with fingers at first, then use the wrenches.

Model	Pipe size	Torque	Nut width	Min.thickness
9,12K	Liquid Side (1/4 inch)	15~20N·m	0.67in	0.019in
9,12K	Gas Side (3/8 inch)	30~35N·m	0.87in	0.023in

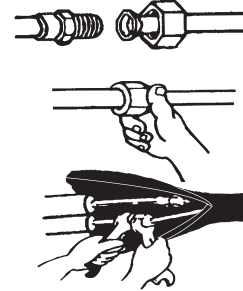


Fig. 12

5) After connecting piping as required, install the drain hose. Then connect the power cords. After connecting, wrap the piping, cords and drain hose together with thermal insulation materials (Fig.13-Fig.15).

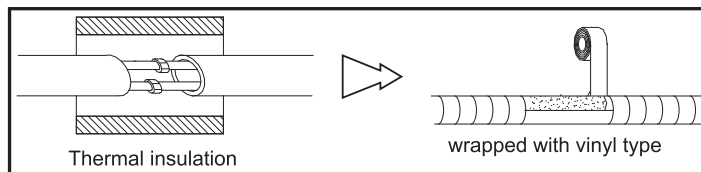


Fig. 13

Note: Wrap the piping joints with thermal insulation materials and then wrap with a vinyl tape.

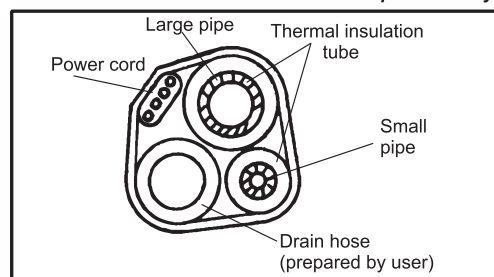


Fig. 14

Note: Place the drain hose under the piping.
Note: Drain hose is prepared by user.

Installation instructions

Indoor unit installation

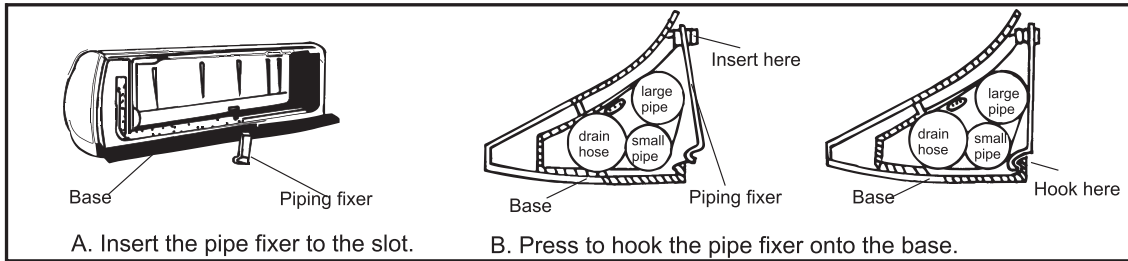


Fig. 15

Note: Drain pipe should point downward for easy drain flow. Do not arrange the drain pipe twisted, sticking out or wave around, do not immerse the end of it in water.

Note: If an extension drain hose is connected to the drain pipe, make sure to thermal insulated when passing along the indoor unit.

Note: When the piping is directed to the right, piping, power cord and drain pipe should be thermal insulated and fixed onto the back of the unit with a piping fixer.

- 6). Open the front panel and wiring distribution cover(Fig.16), then guide the power connecting cord and power cord through the guide rail of the electric box(Fig.17).

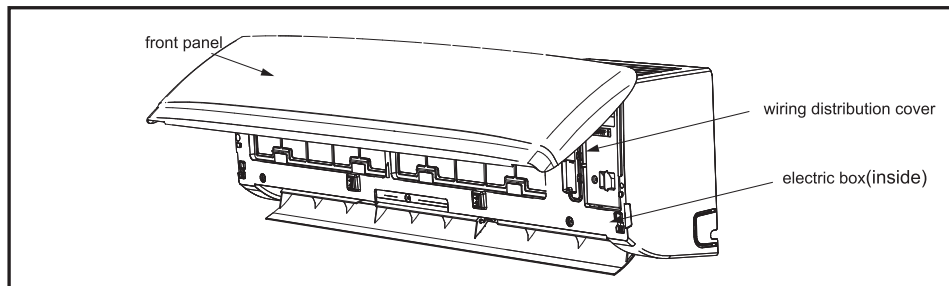


Fig. 16

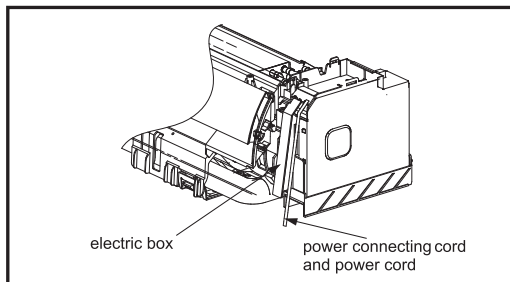


Fig. 17

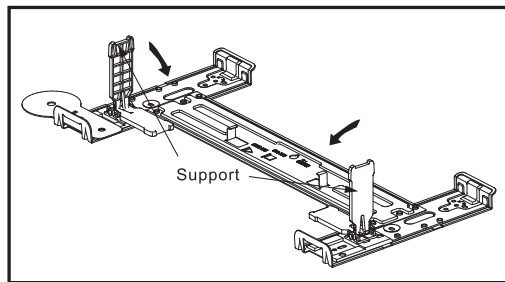


Fig. 18

- 7) Close the two supports on the wall mounting plate as shown in Fig. 18. Then move the unit step by step to reach the best installation, then press the unit into 2 down slots (Fig.19).

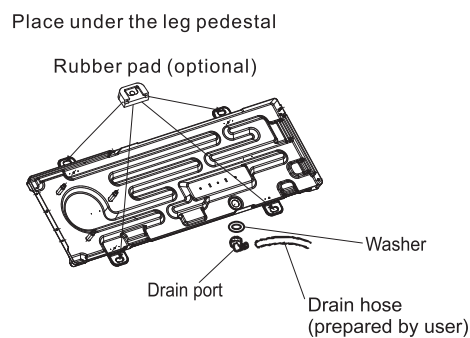
Note: The figures in this manual may differ from that of the air conditioner you have selected.

Installation Instructions

Outdoor Unit Installation

1. Install Condensate Drain for Outdoor Unit

The condensate drains from the outdoor unit when the unit operates in heating mode. install a drain port and a drain hose to direct the condensate water. Just install the drain port and rubber washer to the chassis of the outdoor unit, then connect a drain hose to the port as the right figure demonstrates.



2. Install Ground Pad or Wall Hangers

1. Determine proper location for outdoor unit.
 2. Follow all instructions provided by manufacturer for installing wall hangers rubber pad.
 3. Verify the wall hangers or rubber pad can safely support the weight of the outdoor unit.
 4. Verify the wall hangers or rubber pad is level and meets all outdoor dimensional clearance.
 5. Fix with bolts and nuts tightly on a flat and strong floor.
- If installed on the wall or roof, make sure to fix the support well to prevent it from shaking due to serious vibration or strong wind.

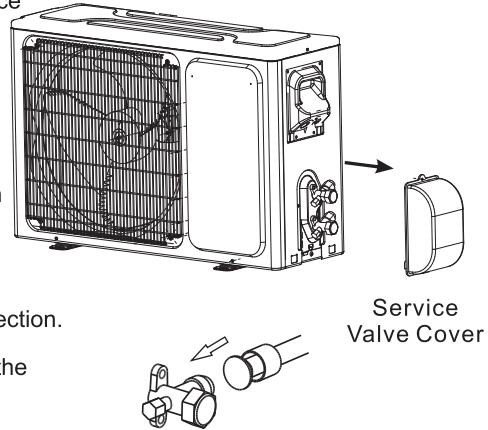
WARNING

Florida wind load requirements state that outdoor unit must be anchored to concrete pad using four 3/8-in diameter power wedge bolt plus (or equivalent) with 1-in diameter fender washers. Anchor bolts must be embedded into 3000 PSI minimum concrete at a distance of 4 1/2-in from any concrete edge. The concrete thickness must exceed 1.5 times the anchor depth.

Installation Instructions

3. Piping Connections to Outdoor Unit

- Remove service valve cover(if provided) to access the service valves and refrigerant ports.
- Carefully bend and adjust length of refrigerant pipes to meet outdoor unit service valves connection with proper tools to avoid kinks.
- Apply a small amount of refrigerant oil to the flare connection on the refrigerant pipe.
- Properly align piping and tighten flare nut using a standard wrench and a torque wrench as shown in the indoor piping section.
- Carefully tighten flare nuts to correct torque level referring to the following Torque Table:



Torque Table

Pipe diameter /inch	Nut Size /inch	Tightening Torque	
		ft-lbs	N-m
1/4	1/4	11 to 15	15 to 20
3/8	3/8	22 to 26	30 to 35
1/2	1/2	37 to 41	50 to 55
5/8	5/8	44 to 48	60 to 65

Note: Over tightening may damage flare connections and cause leaks.

Installation Instructions

Power and Wiring

Connecting of the Cable

- Indoor Unit

Connect the power cord to the indoor unit by connecting the wires to the terminals on the control board individually in accordance with the outdoor unit connection.

Note: For some models, it is necessary to remove the cabinet to connect to the indoor unit terminal.

- Outdoor Unit

1) Remove the cable cross board from the unit by loosening the screw. Connect the wires to the terminals on the control board individually as follows.

2) Secure the power cord onto the control board with cable clamp.

3) Reinstall the cable cross board to the original position with the screw.

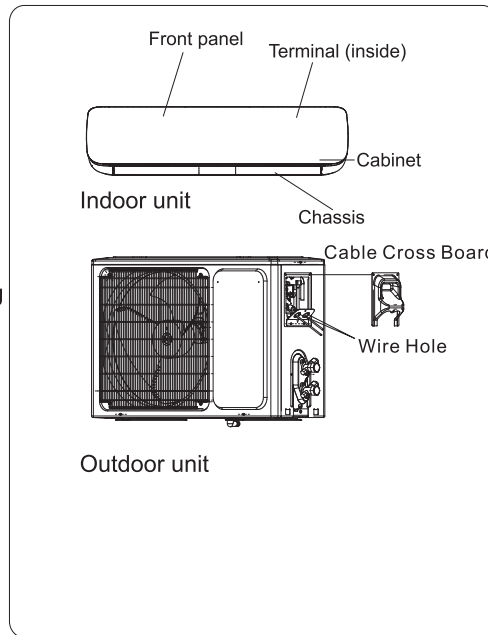
4) Use a recognized circuit breaker between the power source and the unit. A disconnecting device to adequately disconnect all supply lines must be fitted.

Caution:

- Never fail to have an individual power circuit specifically for the air conditioner. As for the method of wiring, refer to the circuit diagram posted on the inside of the access door .
- Confirm that the cable thickness is as specified in the power source specification.
- Check the wires and make sure that they are all tightly fastened after cable connection.
- Be sure to install an earth leakage circuit breaker in wet or moist areas.

Cable Specifications

capacity(Btuh)	Power cord	Power connecting cord
9K-12K(208/230V)	3X16 AWG	4X14 AWG



Installation Instructions

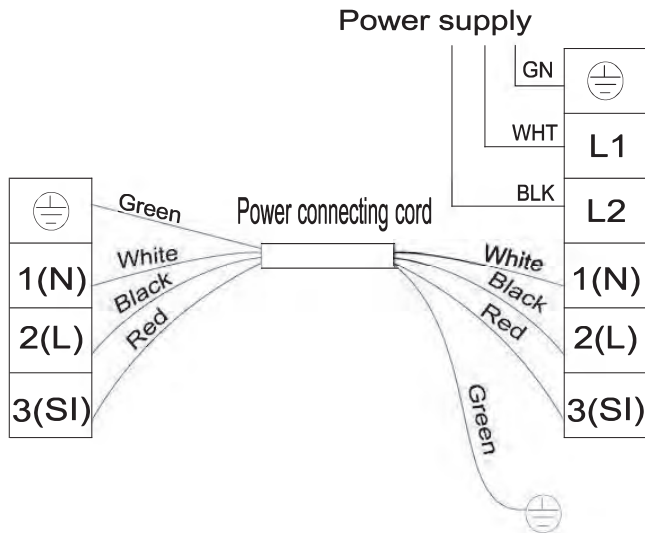
Wiring diagram

Make sure that the color of the wires in the outdoor unit and terminal No. are the same as those of the indoor unit.

1) 208/230V

Indoor unit
Terminal

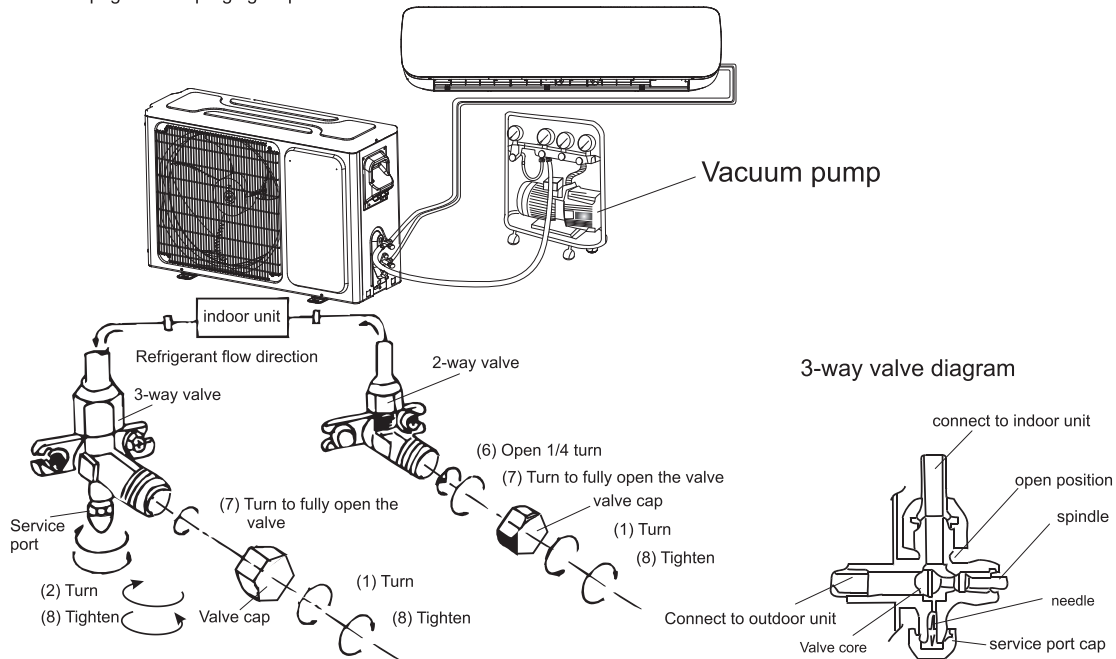
Outdoor unit
Terminal



Installation Instructions

Vacuum Testing and Charging

Note: To protect the environment, be sure not to discharge the refrigerant to the air directly.
See next page for air purging steps.



How to Vacuum Air Tubes:

- (1) Unscrew and remove caps from 2 and 3-way valves.
- (2) Unscrew and remove cap from service valve.
- (3) Connect vacuum pump flexible hose to the service valve.
- (4) Start vacuum pump for 10-15 minutes until reaching a vacuum of 10 mm Hg absolutes.
- (5) With vacuum pump still running close the low pressure knob on vacuum pump manifold. Then stop the vacuum pump.
- (6) Open 2-way valve , 1/4 turn, then close it after 10 seconds. Check tightness of all joints using liquid soap or an electronic leak detector.
- (7) Turn 2 and 3-way valves stem to fully close the valves. Disconnect the flexible vacuum pump hose.
- (8) Replace and tighten all valve caps.

Installation Instructions

Start-up

Test Operation

Perform test operation after completing gas leak and electrical safety check.

1. Turn on electrical disconnect to outdoor unit.
2. Push the "ON/OFF" button on Remote Controller to begin testing.
3. Push MODE button, select COOLING, HEATING, FAN mode to confirm all functions.

System Checks

1. Conceal refrigerant pipes where possible.
2. Make sure drain hose slopes downward along entire length.
3. Ensure all refrigerant pipes and connections are properly insulated.
4. Fasten pipes to outside wall, when possible.
5. Seal and weatherproof wall hole which the interconnecting wires and refrigerant pipes pass through.

Indoor Unit

1. Do all Remote controller's buttons function properly?
2. Do the display panel lights work properly?
3. Does the swing louver function properly?
4. Does the drain work?

Outdoor Unit

1. Push the mode button to COOL and adjust the room setting to 61 °F(16°C) deg. wait up to 3 minutes from compressor time guard. Does compressor and outdoor fan turn on in cooling mode?
2. Push the mode button to HEAT and adjust the room setting to 85 °F(30°C) deg. wait up to 3 minutes for compressor time guard. Does compressor and outdoor fan turn on in heat mode?



FRIEDRICH

1883

Installation Manual

DUCTLESS SPLIT SYSTEMS



Manual for:

MWH09Y3JA
MWH12Y3JA
MRH09Y3JA
MRH12Y3JA

ESPAÑOL

THE EXPERTS IN ROOM AIR CONDITIONING

Contenido

Instrucciones de seguridad	1
Preparación antes del uso	2
Programación	2
Protección del medio ambiente	2
Precauciones de seguridad	3
Identificación de las partes	4
Unidad interna	4
Unidad externa	4
Introducción de la pantalla	5
Cuidado y mantenimiento	6
Protección	7
Consejos para el ahorro de energía	8
Solución de problemas	9
Instrucciones para la instalación	10
Diagrama de instalación	10
Herramientas sugeridas	11
Instrucciones del sitio	12
Instalación de la unidad interna	13
Instalación de la unidad externa	17
Energía y cableado	19
Prueba de vacío y carga	21
Puesta en marcha	22

***Instrucciones del funcionamiento del control remoto.
Ver "Instrucciones del control remoto".***

Instrucciones de seguridad

- Para garantizar que la unidad funcione con normalidad, leer cuidadosamente el manual antes de la instalación y realizar la instalación siguiendo este manual.
- Al mover el aire acondicionado, no dejar que el aire ingrese al sistema de refrigeración o a la descarga del refrigerante.
- Conectar el aire acondicionado a tierra de manera correcta.
- Verificar cuidadosamente los cables y la tubería. Asegurar de que estén correctos y firmes antes de conectar la electricidad.
- Debe haber un interruptor de aire.
- Luego de la instalación, el usuario debe operar el aire acondicionado de manera correcta según el manual. Tener un lugar de almacenamiento correcto para el mantenimiento y traslado del aire acondicionado en el futuro.
- El fusible de la unidad:

Modelo	Fusible de la unidad interna	Fusible de la unidad externa
9K-12K(208/230V)	T 3.15A 250V	T 15A 250V

- Se debe incorporar en el cableado fijo un Dispositivo de Corriente Residual (RCD por sus siglas en inglés) con un rango superior a 10mA según las normas nacionales.
- Advertencia: Riesgo de descarga eléctrica: puede causar lesiones o la muerte. Desconectar todos los suministros eléctricos remotos antes de realizar el servicio.
- La mejor longitud de la tubería de conexión entre la unidad interna y la externa es menos que 7,5 metros (24,6 pies). Si la distancia es mayor que la longitud afectará la eficiencia del aire acondicionado.
- Este electrodoméstico puede ser utilizado por menores de 8 años en adelante y por personas con capacidades físicas, sensoriales o mentales reducidas o falta de experiencia o conocimiento sólo si han sido supervisados o instruidos sobre el uso del electrodoméstico en una forma segura y hayan entendido los peligros que incluye. Los niños no deben jugar con el electrodoméstico. La limpieza y el mantenimiento no debe realizarse por los niños sin supervisión.
- Las pilas del control remoto se deben reciclar o desechar de manera correcta. Eliminación de las pilas --- Desechar las pilas como desechos municipales en el punto de recolección.
- Si el electrodoméstico es de instalación fija, debe estar equipado con medios de desconexión desde el suministro y una separación de contacto en todos los polos que brindan una desconexión completa bajo una sobretensión de categoría III; estos medios se deben incorporar en la instalación fija según las normas de instalación eléctrica.
- Para evitar peligros, si el cable de suministro está dañado, lo debe reemplazar el fabricante, el agente de servicio o una persona similar calificada.
- Se debe instalar el electrodoméstico según las normas de seguridad eléctrica local y el Código Nacional de Electricidad (NEC, por sus siglas en inglés).
- El aire acondicionado debe ser instalado por un profesional o personas calificadas.
- No se debe instalar el electrodoméstico en la sala de lavandería.

Preparación antes del uso

Nota

- Cuando se carga el refrigerante en el sistema, asegurar que la carga esté en estado líquido si se trata del refrigerante R410A. De lo contrario, la composición química del refrigerante (R410A) dentro del sistema puede cambiar y afectar el rendimiento del equipo.
- Según la naturaleza del refrigerante (R410A, el valor de GWP es 2088), la presión del tubo es muy alta; se debe ser cuidadoso cuando se instala y repara el electrodoméstico.
- Para evitar riesgos, si el cable de suministro está dañado, lo debe reemplazar el fabricante, el agente de servicio o una persona similar calificada.
- El aire acondicionado debe ser instalado por personas capacitadas y calificadas o por el servicio mecánico.
- La temperatura del circuito refrigerante será alta, mantener el cable de interconexión lejos del tubo de cobre.

Programación

Antes de utilizar el aire acondicionado, verificar y programar lo siguiente.

• Programación del control remoto

Cada vez que se reemplazan las pilas del control remoto con pilas nuevas o que se energiza, la configuración automática del control remoto es bomba de calor. Si el aire acondicionado que compró es *Cooling Only* (Solo frío), también se puede utilizar el control remoto para bomba de calor.

• Función de luz de fondo el control remoto (opcional)

Mantener presionado cualquier botón del control remoto para activar la luz de fondo. Se apaga automáticamente después de 10 segundos.

Nota: La luz de fondo es una función opcional.

• Programación Auto Restart

El aire acondicionado tiene la función de *Auto-Restart* (Reinicio automático).

Protección del medio ambiente

Este electrodoméstico está hecho de materiales reciclables o reutilizables. El descarte debe llevarse a cabo de acuerdo a las normas locales de desecho. Antes de realizar el descarte, cortar el cable principal para que el electrodoméstico no se pueda reutilizar.

Para una información más detallada sobre el manejo y reciclaje del producto, contactar a las autoridades locales que se encargan de la separación de basura o a la tienda donde compró el electrodoméstico.

DESARME DEL ELECTRODOMÉSTICO

Esta marca indica que el producto no puede desecharse con otros desperdicios del hogar en todo Norte América. Para evitar posibles daños al ambiente o a la salud humana debido a la eliminación de desechos sin control, reciclar responsablemente para promover la reutilización sustentable de los recursos materiales. Para devolver el dispositivo usado, utilizar los sistemas de devolución y colección o contactar al distribuidor donde compró el producto.

Ellos pueden tomar este producto para reciclar y cuidar el ambiente.



Precauciones de seguridad

Los símbolos en este Manual de Uso y Cuidado se especifican a continuación.



No hacerlo.








La conexión a tierra es esencial.



Prestar atención a la situación.

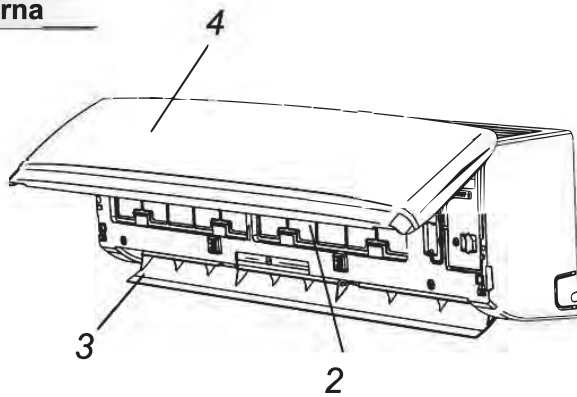


Advertencia: El manejo incorrecto puede causar serios peligros como la muerte, lesiones graves, etc.

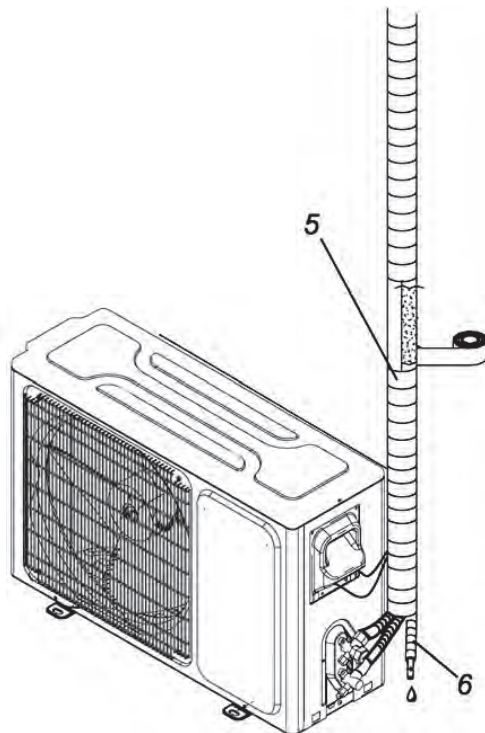
 <p>Utilizar un suministro de energía correcto según el requisito de rango de la placa. De lo contrario, pueden ocurrir fallas graves, peligros o hasta un incendio.</p>	 <p>Evitar que el disyuntor del circuito de suministro de energía o el enchufe tenga polvo. Conectar el cable de suministro de energía de manera firme y correcta para que no haya descargas eléctricas o incendios debido al mal contacto.</p>	<p>No utilizar un disyuntor del suministro de energía o tirar del enchufe durante el funcionamiento. Esto puede causar un incendio debido a las chispas, etc.</p>
<p>No unir, tirar o presionar el cable de suministro de energía para que no se rompa el cable. Puede ocurrir una descarga eléctrica o incendios si se rompe el cable.</p>	<p>Nunca se debe colocar un palo o un artículo similar en la unidad. Ya que el ventilador rota a gran velocidad, esto puede causar daños.</p>	<p>El aire fresco en contacto con Ud. durante un largo tiempo es perjudicial para su salud. Se aconseja que el flujo de aire se desvíe por toda la habitación.</p>
 <p>Apagar el electrodoméstico con el control remoto primero antes de cortar el suministro de energía en caso de que ocurra un mal funcionamiento.</p>	 <p>No debe reparar el electrodoméstico usted mismo. Si se hace de manera incorrecta, puede causar descargas eléctricas, etc.</p>	<p>Evitar que el flujo de aire esté en contacto con quemadores de gas y hornos.</p>
 <p>No tocar los botones cuando sus manos estén húmedas.</p>	 <p>No colocar ningún objeto en la unidad interna.</p>	 <p>Es responsabilidad del usuario que el electrodoméstico esté conectado a tierra por un técnico con licencia, según los códigos locales u ordenanzas.</p>

Identificación de las partes

Unidad interna



Unidad externa



Nombre de la pieza

1. Control remoto

2. Filtro de aire

3. Rejillas horizontales

4. Panel delantero

5. Tubería y cable de alimentación

6. Manguera de drenaje

Las imágenes de este manual están basadas en la vista externa de un modelo estándar. Por lo tanto, la forma puede diferir un poco del aire acondicionado que usted eligió.

Introducción de la pantalla

Indicador de temperatura 1

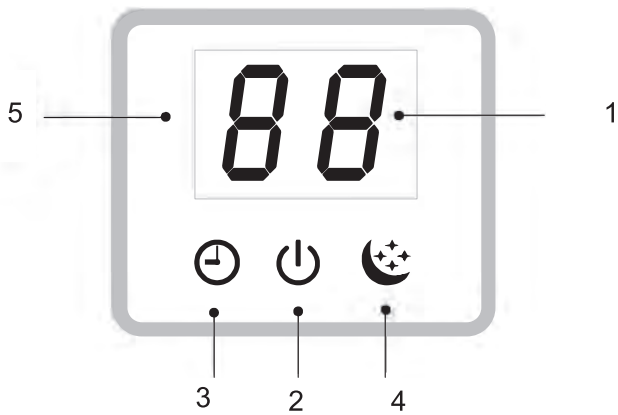


Indicador de funcionamiento Run 2
Se ilumina cuando AC está funcionando.
Parpadea durante la descongelación.

Indicador Timer 3
Se ilumina durante el tiempo determinado.

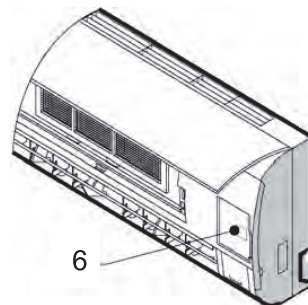
Indicador Sleep 4
Se ilumina en el modo Sleep.

Receptor de señal 5



Botón de emergencia 6

ON/OFF Presionar el botón para que el aire acondicionado funcione o se detenga.



Cuidado y mantenimiento

Mantenimiento del panel delantero	
1	Cortar el suministro de energía.
2	Agarrar desde la posición "a" y tirar hasta sacar el panel delantero.
3	Limpiar con un paño suave y seco. Si está muy sucio, usar un paño suave y húmedo para limpiar el panel delantero.
4	Para limpiar el electrodoméstico, nunca se deben utilizar sustancias volátiles como gasolina o polvo de pulir.
5	Nunca se debe rociar agua en la unidad interna
6	Reinstalar y cerrar el panel delantero. Reinstalar y cerrar el panel delantero presionando desde la posición "b" hacia abajo.

Mantenimiento del filtro de aire	
Es necesario limpiar el filtro de aire después de utilizarlo por 200 horas. Se debe limpiar como se indica a continuación:	
1	Parar el electrodoméstico y quitar el filtro de aire. 1. Abrir el panel delantero. 2. Presionar suavemente la manija del filtro desde la parte delantera. 3. Agarrar la manija y deslizar el filtro.
2	Limpiar y reinstalar el filtro de aire. Si la suciedad es visible, lavar con una solución de detergente en agua tibia. Luego de la limpieza, dejar secar en la sombra.
3	Cerrar el panel delantero nuevamente. <input checked="" type="checkbox"/> Limpiar el filtro de aire cada dos semanas si el aire acondicionado funciona en un ambiente con mucha suciedad.

Protección

Condiciones de funcionamiento

El dispositivo de protección puede activarse y pararse en los siguientes casos.

HEATING	La temperatura del aire exterior es más de 75 (24°C)
	La temperatura del aire exterior es menor de -13°F (-25°C)
	La temperatura ambiente es más de 80,6 (27°C)
COOLING	La temperatura del aire exterior es más de *115 (46°C)
	La temperatura ambiente es menor de 70 (21°C)
DRY	La temperatura ambiente es menor de 64,5 (18°C)

** Para los modelos de condiciones de climas tropicales (T3), el punto de temperatura es 131 (55°C) en lugar de 109 (43°C). Está permitido llevar la temperatura de algunos productos más allá del rango. En situaciones específicas, consultar con el comerciante.*

Si el aire acondicionado funciona en modo COOLING o DRY con la ventana o puerta abierta por mucho tiempo cuando la humedad relativa es más del 80%, la condensación puede gotear de la salida.

Contaminación sonora

- Instalar el aire acondicionado en un lugar que soporte el peso para que funcione en silencio.
- Instalar la unidad externa en un lugar donde la descarga de aire y el ruido del funcionamiento no moleste a los vecinos.
- No colocar ningún obstáculo en frente de la salida del aire de la unidad interna para no incrementar el nivel de ruidos.

Características de protección

El dispositivo de protección funcionará en los siguientes casos.

- 1 Reiniciar la unidad una vez que el funcionamiento pare o se cambie el modo durante el funcionamiento; se necesita esperar 3 minutos.
- 2 Si se detienen todas las operaciones, presionar el botón ON/OFF para reiniciar. El reloj debería establecerse nuevamente si se canceló.

Características del modo HEATING

Pre calentamiento

Al principio del funcionamiento HEATING, el flujo de aire de la unidad interna se descarga 2-5 minutos más tardes.

Descongelación

En el funcionamiento HEATING, el electrodoméstico se descongelará automáticamente para aumentar la eficiencia.

Este procedimiento tarda 2-10 minutos. Durante el descongelamiento, el ventilador se detiene. Luego de finalizar el descongelamiento, vuelve a modo HEATING automáticamente.

Nota: El modo Heating NO está disponible para los aires acondicionados de sólo frío.

Consejos para el ahorro de energía

1. La temperatura ambiente relajante de la noche está OK: Durante las horas nocturnas no se requiere el mismo nivel de enfriamiento o calor. Tratar de usar el modo Sleep gradualmente para relajar la temperatura de la habitación y dejar que la unidad funcione menos y ahorre energía.

2. Cortinas y persianas: En el verano, se necesita bloquear los efectos del sol.

Cerrar las cortinas de las ventanas y persianas del lado sur y oeste de su casa para bloquear el calor del sol. En invierno, el sol es su amigo. Abrir las cortinas y persianas para dejar que el calor del sol entre a la habitación.

3. Cerrar las puertas: Si no necesita calentar o enfriar todo el hogar, limitar el calor y el frío en una habitación al cerrar las puertas. Limitar el espacio que está enfriando y calentando para especificar la capacidad de la unidad.

4. Mantenimiento de la unidad: Algunos mantenimientos básicos pueden ser todo lo que necesite. ¡La unidad externa se beneficiará de una buena manguera, en especial en zonas arboladas donde las semillas y otros restos pueden pegarse en las aletas y hacer que la unidad trabaje más fuerte!

5. Reorganización de la habitación: Los muebles que obstruyen el flujo de aire pueden calentar o enfriar el respaldo de la silla o el frente del sofá en lugar de todo el living. Utilizar las rejillas oscilantes para dirigir el aire en la dirección correcta de la habitación. Eliminar o reacomodar los obstáculos que bloquean el flujo de aire.

6. Probar 75 grados: 75 (24°C) es un buen punto para que un aire acondicionado funcione en un nivel óptimo. ¡Aún al cambiar 1 grado de temperatura puede hacer que la unidad ahorre más energía!

7. Iluminación: Al apagar las luces puede ayudar a reducir el calor. Cada bombilla es un pequeño calentador. El aire acondicionado pierde energía en superar el calor de las luces para alcanzar y mantener la temperatura deseada.

8. ¿Hay alguien en casa? Si es posible, mientras usted no esté, ponga la unidad en modo Auto y asegurar que las ventanas y cortinas estén cerradas. Aunque la temperatura de la habitación no sea confortable por unos minutos cuando vuelve al hogar, la unidad tendrá la habitación en la temperatura deseada a tiempo.

9. No se debe olvidar el ventilador: El ventilador es como un auto. Cuanto más rápido funcione, más energía consume. A veces necesitamos que el auto vaya rápido pero, la mayoría de las veces, es mejor que vaya lento. Trate de ahorrar dinero mediante el uso lento de la velocidad del ventilador el mayor tiempo posible.

Solución de problemas

Puede que los siguientes casos no siempre sean un malfuncionamiento, verificar antes de preguntar al servicio.

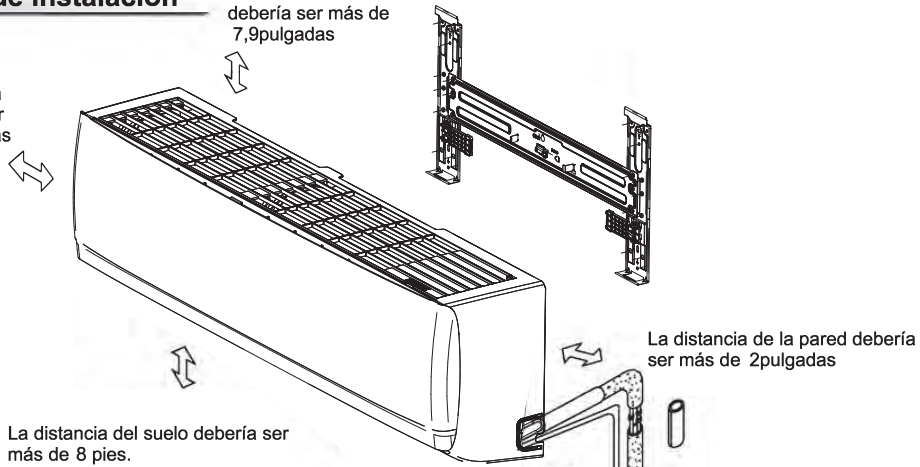
Problema	Análisis
No funciona	<ul style="list-style-type: none"> • Si el protector o el fusible están fundidos, esperar 3 minutos y encender otra vez. El dispositivo protector puede evitar que la unidad funcione. • Las pilas en el control remoto pueden estar agotadas. • Verificar si el electrodoméstico está enchufado.
No hay aire frío o caliente	<ul style="list-style-type: none"> • ¿Está sucio el filtro de aire? • ¿La entrada y salida de aire del aire acondicionado están bloqueadas? • ¿La temperatura está configurada correctamente? • ¿Están las ventanas y puertas abiertas?
Control no efectivo	<ul style="list-style-type: none"> • Si hay una fuerte interferencia (desde la descarga de electricidad excesiva o anomalía del voltaje del suministro de energía), el electrodoméstico puede no funcionar de manera normal. Desconectar el suministro de energía y conectarla 2-3 horas después.
No funciona inmediatamente	<ul style="list-style-type: none"> • Cambio de modo durante el funcionamiento, 3 minutos de retraso.
Olor extraño	<ul style="list-style-type: none"> • Este olor puede provenir de otras fuentes como muebles, cigarrillos, etc., que es succionado por la unidad y lo expulsa con el aire.
Sonido de agua que fluye	<ul style="list-style-type: none"> • Se produce por el flujo del refrigerante en el aire acondicionado. No es un tema para preocuparse. • Sonido de descongelación durante el modo Heating.
Se escucha un crujido	<ul style="list-style-type: none"> • El sonido se puede producir por la expansión y contracción del panel delantero debido al cambio de temperatura.
Pulverización de niebla desde la salida	<ul style="list-style-type: none"> • Aparece niebla cuando el aire de la habitación se enfría mucho. Esto es por el aire frío descargado de la unidad interna durante los modos COOLING o DRY.
El indicador del compresor se ilumina constantemente, el indicador de funcionamiento parpadea y los ventiladores internos se detienen.	<ul style="list-style-type: none"> • La unidad está cambiando del modo Heating al Defrost. El indicador se apagará y volverá al modo Heating.

Instrucciones para la instalación

Diagrama de instalación

La distancia de la pared debería ser más de 2pulgadas

La distancia del techo debería ser más de 7,9pulgadas

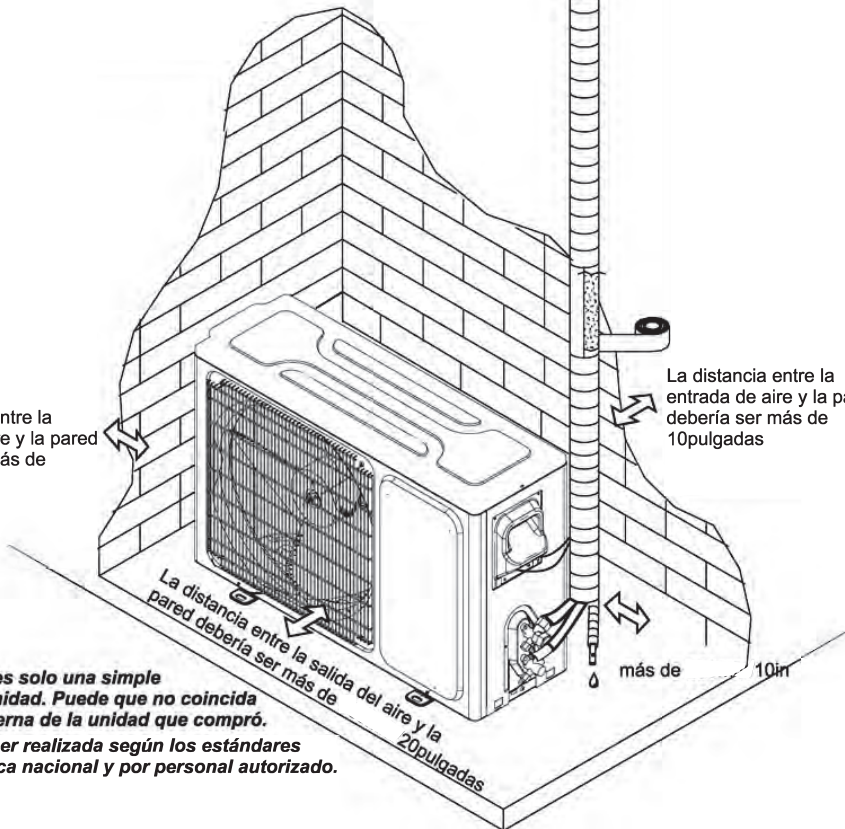


La distancia del suelo debería ser más de 8 pies.

La distancia de la pared debería ser más de 2pulgadas

La distancia entre la entrada de aire y la pared debería ser más de 10pulgadas

La distancia entre la entrada de aire y la pared debería ser más de 10pulgadas



La distancia entre la salida del aire y la pared debería ser más de 20pulgadas

más de 10in

- La imagen de arriba es solo una simple presentación de la unidad. Puede que no coincida con la apariencia externa de la unidad que compró.
- La instalación debe ser realizada según los estándares de instalación eléctrica nacional y por personal autorizado.

Instrucciones para la instalación

Herramientas sugeridas

Para instalar el aire acondicionado de manera convencional y segura debería utilizar las herramientas especiales que se mencionan a continuación.

Llave inglesa estándar

Destornillador

Llave hexagonal o llave Allen

Llave ajustable/creciente

Llave de torsión

Taladro y brocas

Colector y medidores

Bomba de vacío

Abrazadera y amperímetro

Nivelador

Guantes de trabajo

Guantes de seguridad

Cortatubos

Escala de refrigerante

Abocardador R410A

Medidor de micrones

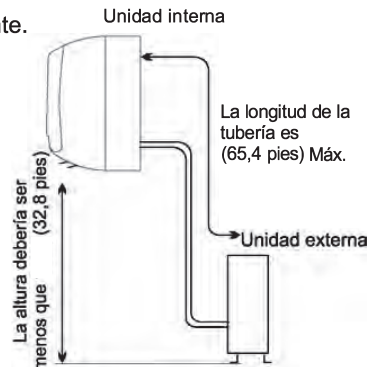
Sierra de perforación

Instrucciones para la instalación

Instrucciones del sitio

Sitio para instalar la unidad interna

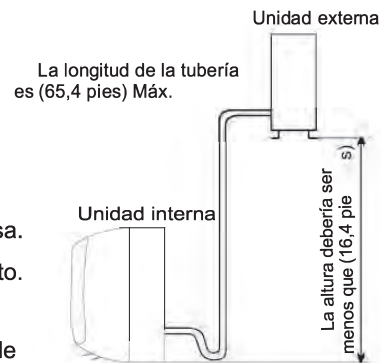
- Donde no haya obstáculos cerca de la salida del aire y el aire pueda salir fácilmente a cada rincón.
- Donde la tubería y el orificio de la pared pueden organizarse fácilmente.
- Mantenga el espacio requerido desde la unidad hasta el techo y la pared según el diagrama de instalación de la página anterior.
- Donde el filtro de aire se pueda sacar fácilmente.
- Mantenga la unidad y el control remoto a (3,2 pies) o más del televisor, radio, etc.
- Lo más lejos posible de lámparas fluorescentes.
- No coloque nada cerca de la entrada de aire para no obstruir la absorción de aire.
- Instálelo en una pared lo suficientemente fuerte para soportar el peso de la unidad.
- Instálelo en un lugar donde no aumente el sonido y la vibración del funcionamiento.
- Manténgalo alejado de la luz directa del sol y de fuentes de calor. No coloque materiales inflamables o aparatos de combustión sobre la unidad.



Indoor unit is higher than outdoor unit

Sitio para instalar la unidad externa

- Donde sea conveniente instalar y muy ventilado.
- Evite instalar donde haya fugas de gas inflamable.
- Mantenga la distancia requerida desde la pared.
- Mantenga la unidad externa lejos de polvos, salidas de gas de vulcanización.
- Evite instalar cerca de la calle donde hay riesgo de agua fangosa.
- Una base fija para que no incremente el ruido del funcionamiento.
- Donde nada bloquee la salida de aire.
- Evite instalarla bajo la luz directa del sol, en un pasillo o cerca de fuentes de calor y ventiladores. Manténgala lejos de materiales inflamables, niebla espesa de aceite y lugares húmedos o irregulares.
- En caso de que la longitud de la tubería sea más que (24,6pies), el refrigerante debería ser cargado adicionalmente según la siguiente tabla.



Outdoor unit is higher than indoor unit

Modelo	Cantidad requerida para refrigerante adicional (oz/ft)
9K-12K	0,2

Si la altura o la longitud de la tubería está fuera del alcance de la tabla, consultar al comerciante.

Instrucciones para la instalación

Instalación de la unidad interna

1. Instalación de la placa de montaje

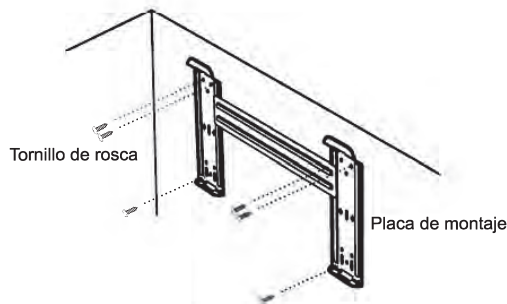
- Decidir un lugar para instalar la placa de montaje según la ubicación de la unidad interna y la dirección de la tubería.

Nota: se recomienda instalar tarugos para las placas de yeso, bloques de concreto, ladrillo y estos tipos de paredes.

- Mantener la placa de montaje de forma horizontal utilizando un nivel horizontal o un nivelador.
- Marcar el centro de la unidad interna en la placa de montaje para futuras referencias.

Nota: el centro del soporte de montaje no debe ser el centro de la unidad interna.

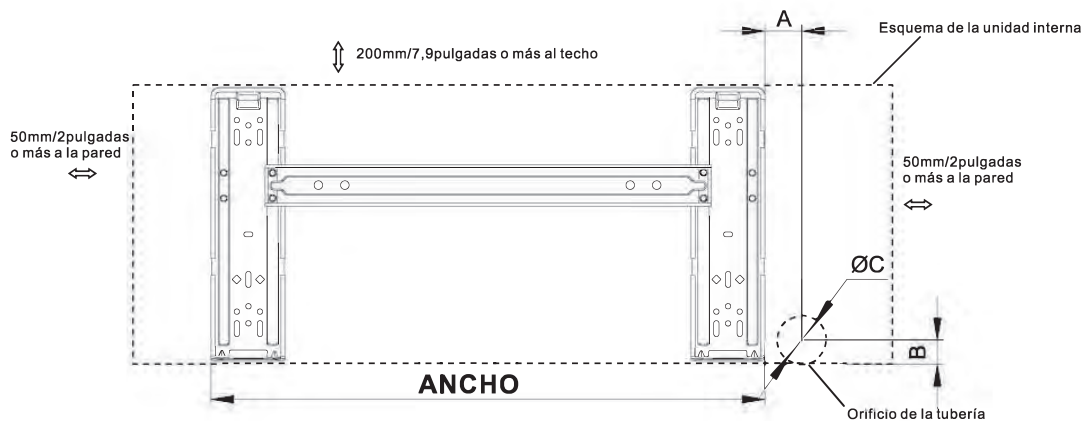
- Atornillar la placa de montaje en la pared con un mínimo de cinco tornillos de manera separada para que soporte el peso de la unidad interna de manera correcta.



Nota: La forma de la placa de montaje puede diferir de la de arriba pero el método de instalación es similar.

Nota: Como se muestra en la figura de arriba, los seis orificios coinciden con los tornillos roscados en la placa de montaje que se deben usar para fijar la placa, los otros están preparados.

DIAGRAMAS Y DEMENSIONES DEL SOPORTE DE MONTAJE (Recomendado)

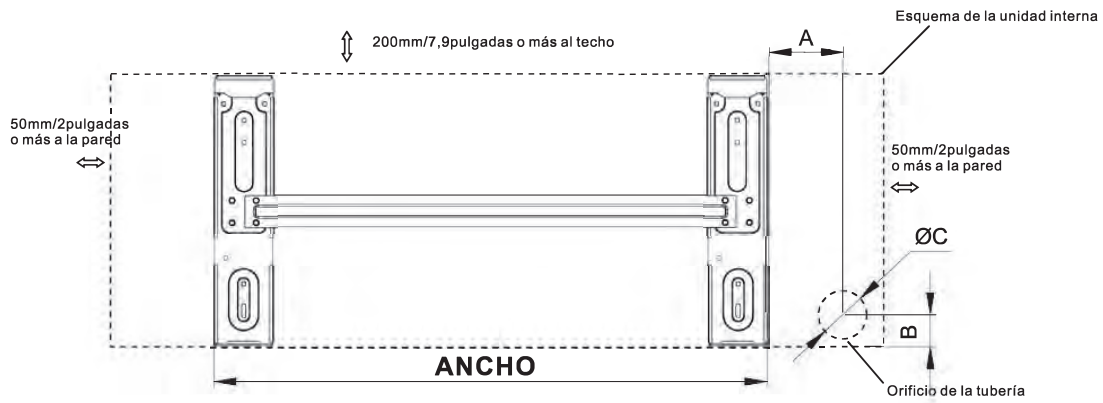


Para el modelo Serie 808, ANCHO: 592mm/23,3pulgadas

Instrucciones para la instalación

Instalación de la unidad interna

DIAGRAMAS Y DIMENSIONES DEL SOPORTE DE MONTAJE (Recomendado)



Para el modelo Serie 908, ANCHO: 629 mm/24,8pulgadas

Instrucciones para la instalación

Instalación de la unidad interna

2. Perforar un orificio en la pared para interconectar la tubería, el drenaje y cableado.

- Decidir la posición del orificio para la tubería según la ubicación de la placa de montaje.
- Perforar un orificio en la pared. El orificio debería estar inclinado un poco hacia abajo y hacia el exterior.
- Instalar el casquillo a través del orificio de la pared para mantener la pared ordenada y limpia.

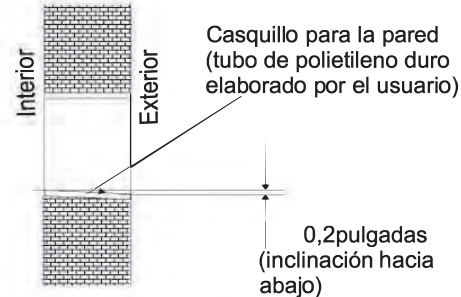


Tabla del orificio de la pared- tamaño de montaje por tamaño de la unidad

Modelo de la unidad	Tamaño A	Tamaño B	Tamaño C
	mm/in	mm/in	mm/in
Series 808	70/2.75	35/1.38	70/2.7
Series 908	137/5.4	40/1.57	70/2.7

3. Conexiones de la tubería y manguera de drenaje a la unidad interna

- Colocar la tubería (líquido y gas) y los cables a través del orificio de la pared desde el exterior o colocarlos a través del interior después de completar la conexión de tuberías y cables para conectar a la unidad externa.
- Decidir si desea ver la pieza de descarga de acuerdo con la dirección de la tubería (como se muestra a continuación)



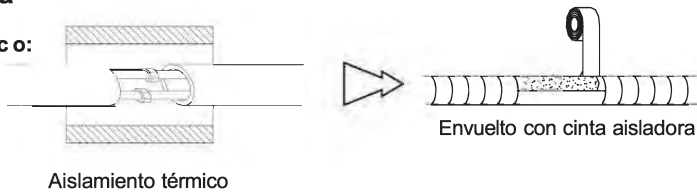
- Luego de conectar la tubería, instalar la manguera de drenaje y conectar el cable de alimentación. Luego de la conexión, envolver la tubería, los cables y la manguera de drenaje juntos con materiales de aislamiento térmico.

Nota: Ambos lados de la estructura de drenaje son estándar. Para ambos lados de la estructura, se pueden elegir derecha, izquierda o ambos lados para la conexión del drenaje. Si se eligen ambos lados, se necesita otra manguera de drenaje y sólo se ofrece una manguera de fábrica. Si elige un lado, asegurar que el orificio de la manguera en el otro lado esté bien conectado.

Instrucciones para la instalación

Instalación de la unidad interna

- **Juntas de la tubería de aislamiento térmico:** Envolver las juntas de la tubería con material de aislamiento térmico y luego con cinta aisladora.



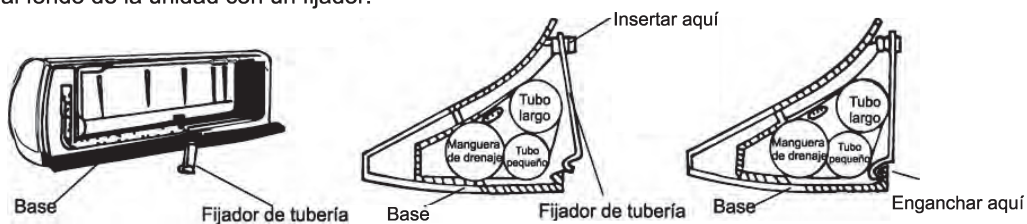
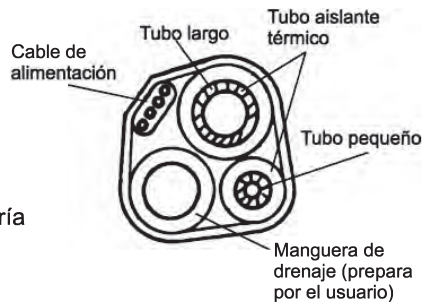
Aislamiento térmico

- **Tubería de aislamiento térmico:**

- Colocar la manguera de drenaje bajo la tubería.
- Los materiales de aislamiento usan espuma de polietileno de 6mm de espesor.

Nota: La manguera de drenaje se prepara por el usuario.

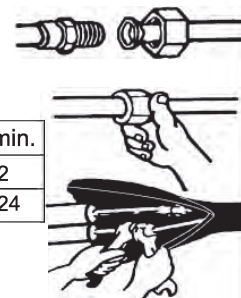
- No acomodar la tubería de drenaje de forma que se enrolle, sobresalga o agite. No sumergir el extremo en el agua.
- Si una extensión de la manguera de drenaje se conecta con la tubería de drenaje, se debe aislar cuando pasa por la unidad interna.
- Cuando la tubería es dirigida a la derecha, la tubería, el cable de alimentación y la tubería de drenaje deberían estar aisladas térmicamente y fijadas al fondo de la unidad con un fijador.



A. Insertar el fijador de tubería en la ranura. B. Presionar para enganchar el fijador en la base.

Conexión de la tubería:

- Conectar los tubos de la unidad interna con dos llaves inglesas. Poner atención para dejar un torque como se muestra a continuación para evitar que los tubos, los conectores y las tuercas cónicas se deformen o se dañen.
- Primero, pre ajustar con los dedos y luego con las llaves.



Modelo	Tamaño de tubería	Torque	Ancho de la tuerca	Espesor min.
9K-12K	Lado líquido (ϕ 6 o 1/4)	15~20N·m o 11~15ft·lbs	17 o 5/8	0.5 o 0.02
9K-12K	Lado gas (ϕ 9.53 o 3/8)	0~35N·m o 22~26ft·lbs	22 o 7/8	0.6 o 0.024

NOTA:

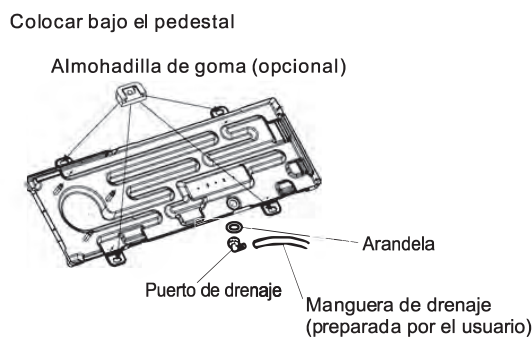
Las dimensiones están en "mm o pulgadas" al menos que se mencione en la tabla.

Instrucciones para la instalación

Instalación de la unidad externa

1. Instalar el drenaje condensado para la unidad externa.

La condensación se drena desde la unidad externa cuando la unidad funciona en modo Heating. Para no molestar al vecino y proteger el medio ambiente, instalar un puerto de drenaje y una manguera de drenaje para dirigir el agua condensada. Instalar el puerto de drenaje y la arandela de goma en el chasis de la unidad externa. Luego, conectar una manguera de drenaje al puerto como se muestra en la figura de la derecha.



2. Instalar la placa a tierra o los ganchos de la pared.

1. Determinar la ubicación adecuada para la unidad externa.
 2. Seguir las instrucciones brindadas por el fabricante para instalar los ganchos de la almohadilla de goma en la pared.
 3. Verificar que los ganchos o la almohadilla de goma puedan soportar el peso de la unidad externa.
 4. Verificar que los ganchos o la almohadilla de goma estén a nivel y cumplan con las dimensiones de la unidad externa.
 5. Fijar con pernos y tuercas sobre un piso plano y fuerte.
- Si se instala en la pared o en el techo, fijar bien el soporte para evitar sacudidas debido a las vibraciones o vientos fuertes.

ADVERTENCIA

Los requerimientos de carga de viento de Florida establecen que la unidad externa debe estar asegurada a una base concreto de 3/8 pulgadas de diámetro, perno, cuña (o equivalente) con arandelas de 1 pulgada. Los pernos de anclaje deben estar incrustados al concreto de 3000 PSI mínimo a una distancia de 4 1/2 pulgadas desde el borde del concreto. El espesor del concreto debe exceder 1,5 veces la profundidad del perno.

Instrucciones para la instalación

3. Conexión de la tubería a la unidad externa

- Quitar el cobertor de la válvula de servicio (si se proporciona) para acceder a los puertos de las válvulas de servicio y refrigerantes.
- Doblar cuidadosamente y ajustar el largo de la tubería refrigerante para cubrir la conexión de las válvulas de servicio de la unidad externa con las herramientas adecuadas para evitar torceduras.
- Aplicar una cantidad pequeña de aceite refrigerante en la conexión de tubería refrigerante.
- Alinear adecuadamente la tubería y ajustar la tuerca utilizando una llave estándar o una llave de torsión como se muestra en la sección de tubería interna.
- Ajustar cuidadosamente la tuerca para corregir el nivel de torque como en la siguiente tabla de torque:

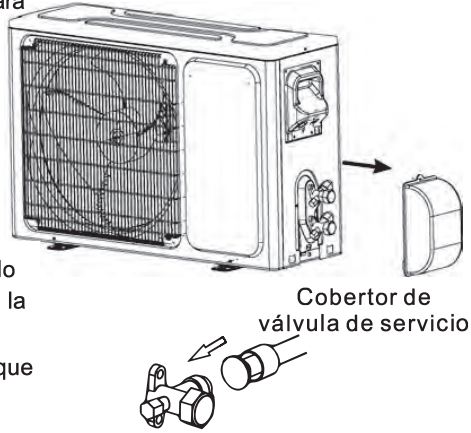


Tabla de torque

Diámetro de la tubería/pulgada (mm)	Tamaño de la tuerca/pulgada (mm)	Par de torsión	
		ft-lbs	N-m
1/4(6.35)	1/4(17)	11 hasta 15	15 hasta 20
3/8(9.5)	3/8(22)	22 hasta 26	30 hasta 35
1/2(12.7)	1/2(25)	37 hasta 41	50 hasta 55
5/8(15.9)	5/8(29)	44 hasta 48	60 hasta 65

Nota: Si se aprieta demasiado se puede dañar la tuerca de conexión y causar fugas.

Instrucciones para la instalación

Energía y cableado

Conexión del cable

- Unidad interna
Conectar el cable de alimentación a la unidad interna mediante la conexión de cables a las terminales del tablero de control de forma individual de acuerdo con la conexión de la unidad externa.

Nota: Para algunos modelos, se necesita el gabinete para conectar con la terminal de la unidad interna.

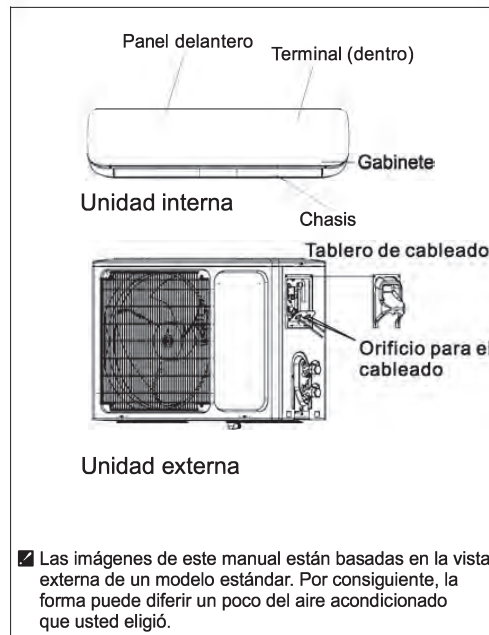
- Unidad externa
 - 1) Quitar el tablero de la unidad desajustando el tornillo. Conectar los cables a la terminal del tablero de manera individual de la siguiente manera.
 - 2) Asegurar el cable de alimentación en el tablero de control con una abrazadera.
 - 3) Volver a instalar el tablero de la unidad a su posición original con un tornillo.
 - 4) Utilizar un disyuntor entre la fuente de alimentación y la unidad. Se debe proporcionar un dispositivo de desconexión para desconectar todas las líneas de suministro.

Precaución:

1. Nunca se debe dejar de tener un circuito de energía individual específico para el aire acondicionado. Para los métodos del cableado, ver el diagrama del circuito publicado dentro del acceso de la puerta.
2. Confirmar que el espesor del cable sea tan específico como en las especificaciones de la fuente de energía.
3. Verificar los cables y asegurar que estén bien sujetos después de la conexión.
4. Instalar un disyuntor de fugas a tierra en áreas húmedas o mojadas.

Cable Specifications

Capacidad (Btuh)	Cable de alimentación	Cable de conexión de energía
	Área de sección transversal normal	Área de sección transversal normal
9K-12K(208/230V)	3X16 AWG	4X14 AWG



Atención:

El enchufe debe estar accesible aún después de la instalación del electrodoméstico en caso de necesitar desconectarlo. Si no es posible, conectar el electrodoméstico a un interruptor bipolar con una separación de contacto de al menos 3mm colocado en una posición accesible después de la instalación.

Instrucciones para la instalación

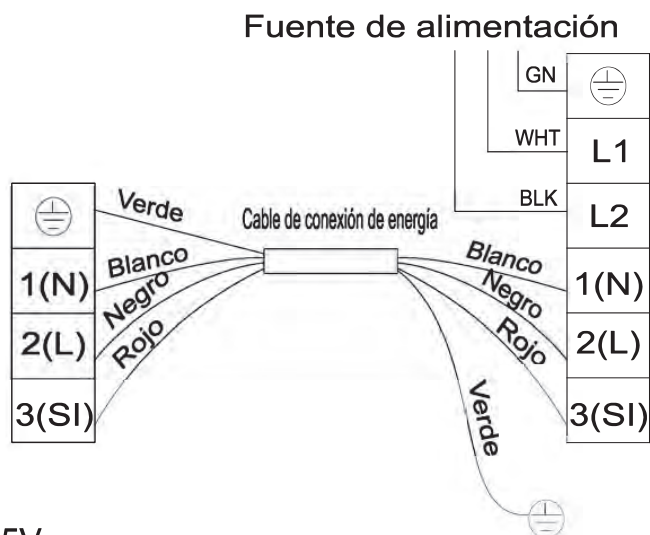
Diagrama del cableado

Asegurar que el color de los cables de la unidad interna y el nº de la terminal sean los mismos que aquellos de la unidad interna.

1) 208/230V

Unidad interna
Terminal

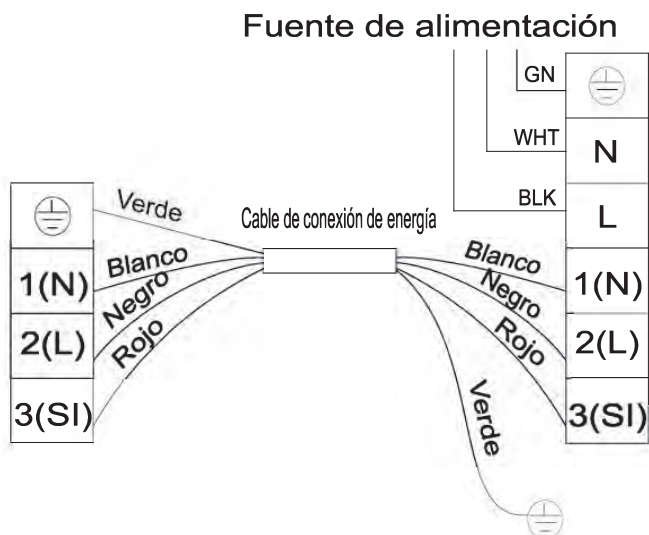
Unidad externa
Terminal



2) 115V

Unidad interna
Terminal

Unidad externa
Terminal



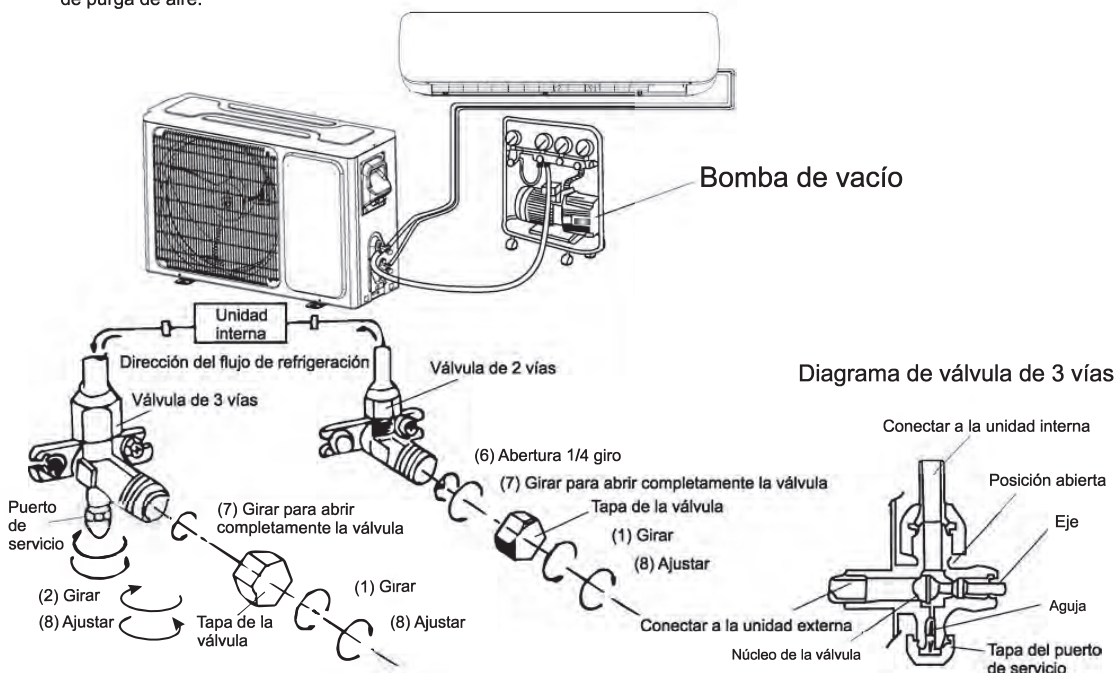
El diagrama es sólo de referencia y la terminal real prevalecerá.

Instrucciones para la instalación

Prueba de vacío y carga

El aire que contiene humedad en el ciclo de refrigeración puede causar un mal funcionamiento en el compresor. Luego de conectar las unidades internas y externas, liberar el aire y la humedad del ciclo refrigerante utilizando una bomba de vacío como se muestra a continuación.

Nota: Para proteger el ambiente, no descargar el refrigerante en el aire directamente. Ver la siguiente página para los pasos de purga de aire.



Cómo aspirar los tubos de aire:

- (1) Desatornillar y quitar las tapas de las válvulas de 2 y 3 vías.
- (2) Desatornillar y quitar la tapa de la válvula de servicio.
- (3) Conectar la manguera flexible de la bomba de vacío a la válvula de servicio.
- (4) Comenzar el bombeo por 10-15 minutos hasta alcanzar 100mm HG absolutos.
- (5) Con la bomba de vacío aún funcionando, cerrar la perilla de presión baja del colector de la bomba de vacío. Luego, parar el bombeo de vacío.
- (6) Abrir la válvula de 2 vías 1/4 giro y 10 segundos después cerrarla. Verificar el ajuste de las juntas utilizando jabón líquido o un detector electrónico de fugas.
- (7) Girar el vástago de las válvulas de 2 y 3 vías para cerrar completamente las válvulas. Desconectar la manguera flexible de la bomba de vacío.
- (8) Reemplazar y ajustar las tapas de todas las válvulas.

Instrucciones para la instalación

Puesta en marcha

Operación de prueba

Realizar la operación de prueba después de completar la verificación de fugas de gas y seguridad eléctrica.

1. Encender la desconexión eléctrica a la unidad externa.
2. Presionar el botón "ON/OFF" del control remoto para comenzar las pruebas.
3. Presionar el botón MODE, seleccionar el modo COOLING, HEATING, FAN para confirmar todas las funciones.

Verificación del sistema

1. Ocultar las tuberías refrigerantes cuando sea posible.
2. Asegurar que las pendientes de la manguera de drenaje estén hacia abajo en toda la extensión.
3. Asegurar que todas las tuberías refrigerantes y conexiones estén aisladas.
4. Ajustar la tubería fuera de la pared cuando sea posible.
5. Sellar el orificio de la pared que interconecta el cableado y la tubería refrigerante para que sea prueba de agua.

Unidad interna

1. ¿Funcionan bien todos los botones del control remoto?
2. ¿Las luces del panel funcionan bien?
3. ¿Las rejillas oscilantes funcionan correctamente?
4. ¿Funciona el drenaje?

Unidad externa

1. Presionar el botón mode hasta COOL y ajustar la configuración de la habitación a 61° (16°C), esperar 3 minutos para darle tiempo al compresor. ¿El compresor y los ventiladores externos están encendidos en el modo COOL?
2. Presionar el botón mode hasta HEAT y ajustar la configuración de la habitación a 85° (30°C), esperar 3 minutos para darle tiempo al compresor. ¿El compresor y los ventiladores externos están encendidos en el modo HEAT?



FRIEDRICH

1883

Installation Manual

DUCTLESS SPLIT SYSTEMS



FRANÇAIS



Manual for:

MWH09Y3JA
MWH12Y3JA
MRH09Y3JA
MRH12Y3JA

THE EXPERTS IN ROOM AIR CONDITIONING

Table des matières

Consignes de sécurité	1
Préparation post-utilisation	2
Préréglage	2
Respect de l'environnement	2
Consignes de sécurité	3
Identification des pièces	4
Unité intérieure	4
Unité extérieure	4
Présentation des fonctions	5
Entretien et maintenance	6
Protection	7
Astuces pour économiser l'énergie	8
Dépannage	9
Consignes d'installation	10
Schéma d'installation	10
Outils suggérés	11
Consignes relatives au site	12
Installation de l'unité intérieure	13
Installation de l'unité extérieure	17
Alimentation et câblage	19
Charge et décharge	21
Démarrage	22

Pour les consignes d'utilisation de la télécommande, voir la rubrique « Consignes d'utilisation de la télécommande »

Consignes de sécurité

- Afin de garantir le fonctionnement correct de cet appareil, merci de lire attentivement cette notice avant d'installer le climatiseur, en tenant de respecter les consignes qui y sont livrées.
- Ne laissez l'air pénétrer ni à l'intérieur du système de réfrigération ni à l'intérieur du système d'évacuation du liquide frigorigène lorsque vous déplacez l'appareil.
- Reliez correctement l'appareil à la terre.
- Vérifiez les câbles et conduits de raccordement attentivement. Assurez-vous qu'ils sont en bon état et solides avant de procéder au branchement de l'appareil.
- Un interrupteur pneumatique doit être utilisé.
- Une fois l'installation terminée, l'opérateur doit faire fonctionner le climatiseur conformément aux consignes fournies dans cette notice, et la conserver afin de pouvoir dépanner/entretenir le climatiseur par la suite.
- Fusible de cet appareil :

Modèle	Fusible de l'unité intérieure	Fusible de l'unité extérieure
9K-12K(208/230V)	T 3.15A 250V	T 15A 250V

- Un interrupteur à courant différentiel, doté d'une capacité minimum de 10mA, doit être intégré aux câbles fixes, conformément aux Règlements Nationales en vigueur.
- Mise en garde : risque d'électrocution, susceptible d'entraîner de graves blessures, voire la mort. Débranchez toutes les sources d'alimentation électriques à distance avant de procéder à la manipulation des dispositifs.
- La meilleure longueur de raccordement entre l'unité intérieure et l'unité extérieure se situe en-dessous de 7,5 mètres (24,6pieds). Si la distance recommandée n'était pas respectée, cela impacterait l'efficacité du climatiseur.
- Cet appareil peut être utilisé par des enfants âgés de 8 ans et plus, ainsi que par des personnes dont les capacités mentales, physiques et sensorielles sont diminuées, ou manquant de l'expérience/des connaissances nécessaires pour le faire fonctionner, dans la mesure où elles sont placées sous la surveillance d'un tiers conscient des risques impliqués et des mesures à prendre en cas de danger. Les enfants ne doivent pas jouer avec cet appareil. Le nettoyage et la maintenance de l'appareil ne doivent pas être effectués par des enfants sans surveillance.
- Les piles de la télécommande doivent être recyclées ou éliminées de façon correcte. Élimination des piles --- Merci de vous débarrasser des piles auprès du point de collecte le plus proche de chez vous, et non pas avec le reste de vos déchets domestiques.
- Si l'appareil est relié par un câble fixe, il doit être doté d'un système de déconnexion relié à l'alimentation principale en contact avec les différents pôles afin d'éviter les risques de surtension. Ce dispositif de sécurité doit être conforme aux Règlements électrique en vigueur.
- Si le cordon d'alimentation est endommagé, vous devez le faire remplacer par le fabricant, l'un de ses agents ou un technicien qualifié, afin de réduire tous les risques présents.
- Cet appareil doit être installé conformément aux Normes Électriques de Sécurité et au Code National de l'Électricité (CNE).
- Le climatiseur doit être installé par un technicien qualifié et/ou agréé.
- L'appareil ne doit pas être installé dans une buanderie.

Préparation post-utilisation

Remarque



- Lorsque vous alimentez le système en liquide frigorigène, assurez-vous que ce dernier est bien liquide, s'il s'agit d'un liquide de type R410A. Dans le cas contraire, la composition chimique du liquide frigorigène (R410A) à l'intérieur du système peut varier et donc avoir des répercussions sur la performance du climatiseur.
- Selon le type de liquide frigorigène utilisé (R410A, la valeur GWP est 2088), la pression du conduit est très élevée ; soyez donc très vigilant lorsque vous installez et réparez l'appareil.
- Si le cordon d'alimentation est endommagé, vous devez le faire remplacer par le fabricant, l'un de ses agents ou un technicien qualifié, afin de réduire tous les risques présents.
- Le climatiseur doit être installé par un technicien qualifié et/ou agréé.
- La température du circuit de réfrigération sera élevée ; merci de maintenir le câble d'interconnexion à l'écart du tube en cuivre.

Préréglage

Avant d'utiliser le climatiseur, vérifiez et préréglez bien les éléments suivants.

• Préréglage de la télécommande

Dès que la télécommande est équipée de nouvelles piles ou chargée en électricité, la télécommande règle automatiquement la pompe à chaleur. Si le climatiseur que vous avez acheté est un modèle Cooling Only (non réversible), la télécommande ne procédera pas à ce réglage.

• Fonction de rétroéclairage de la télécommande (optionnel)

Maintenez enfoncé n'importe quelle touche de la télécommande afin d'activer le rétroéclairage. Ce dernier s'arrête de fonctionner automatiquement au bout de 10 secondes.

Remarque : la fonction de rétro-éclairage est optionnelle.

• Préréglage du Redémarrage Automatique (Auto-Restart)

Le climatiseur est doté d'une fonction de Redémarrage Automatique (Auto-Restart).

Respect de l'environnement

Le climatiseur est doté d'une fonction de Redémarrage Automatique (Auto-Restart). Respect de l'environnement

Cet appareil est constitué de matériaux ou réutilisables. L'élimination doit être effectuée conformément aux Règlements en vigueur. Avant de vous en débarrasser, pensez bien à couper le cordon d'alimentation, pour que l'appareil ne puisse plus être utilisé.

Pour obtenir des informations plus détaillées à propos de l'élimination correcte de cet appareil, contactez les Autorités chargées de l'élimination des déchets autres que domestiques, ou la boutique auprès de laquelle vous avez acheté l'appareil.

ÉLIMINATION DE L'APPAREIL

Ce symbole indique que cet appareil ne peut pas être mélangé aux déchets domestiques sur le territoire Nord-américain. Afin d'éviter tout risque potentiel pour l'environnement ou l'Homme, recyclez-le de façon responsable. Cela permettra de réutiliser les ressources disponibles. Pour éliminer votre appareil, contactez les Centres de Tri agréés près de chez vous, ou rendez-vous après de la boutique où vous l'avez acheté.

Ces entités seront en mesure de vous proposer les mesures d'élimination les plus adaptées.




Consignes de sécurité











Les symboles utilisés dans cette notice sont décryptés à la suite :

 À ne surtout pas faire.

 Connexion au sol obligatoire.

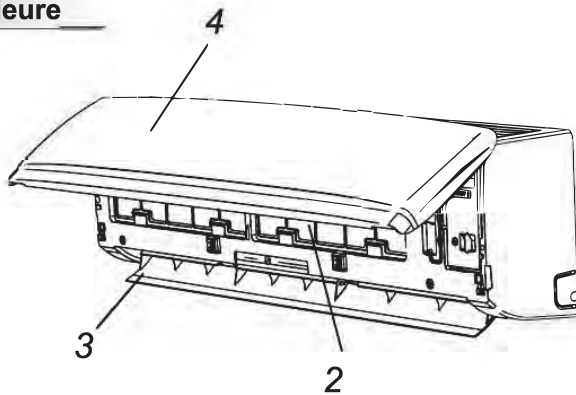
 Soyez vigilant dans ce genre de situation

 Mise en garde : une mauvaise manipulation peut provoquer un risque élevé, tel qu'une blessure grave, voire le décès.

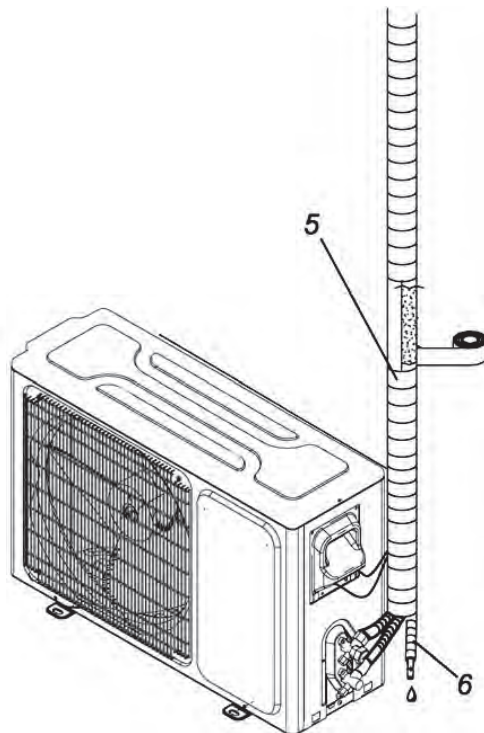
<p></p> <p>Utilisez une source d'alimentation correcte et vérifiez bien que les valeurs indiquées sur la plaque nominative sont respectées. Dans le cas contraire, cela pourrait entraîner des détériorations graves pour le système, voire générer un incendie.</p>	<p></p> <p>Vérifiez que les prises et le disjoncteur ne soient pas poussiéreux. Reliez le cordon d'alimentation fermement et selon les normes en vigueur, afin d'éviter les risques d'incendie et/ou d'électrocution dus à un mauvais contact.</p>	<p>Ne modifiez pas la position des fusibles sur le disjoncteur pendant le fonctionnement de l'appareil. Cela pourrait provoquer des étincelles, voire déclencher un incendie, etc.</p>
<p></p> <p>Ne tordez pas, n'enfoncez pas et ne tirez pas sur le cordon d'alimentation, sous peine de fissurer les conduits électriques. Une électrocution ou un incendie pourrait alors survenir.</p>	<p></p> <p>N'insérez jamais de bâton ou objet similaire à l'intérieur de l'appareil. Dans la mesure où le ventilateur tourne à vitesse élevée, cela pourrait provoquer des blessures.</p>	<p>Être exposé à l'air froid en continu n'est pas bon pour votre santé. Nous vous conseillons de diriger les grilles d'aération de façon à ce que l'air circule dans toute la pièce.</p>
<p></p> <p>En cas de dysfonctionnement, éteignez l'appareil au moyen de la télécommande avant de couper l'électricité.</p>	<p></p> <p>Ne réparez pas l'appareil vous-même. Si cela est mal fait, vous risqueriez de vous blesser gravement etc.</p>	<p></p> <p>Empêchez que l'air soufflé n'entre en contact avec les brûleurs à gaz et les fours.</p>
<p></p> <p>Ne touchez pas les boutons de l'appareil si vous avez les mains mouillées.</p>	<p></p> <p>Ne mettez aucun objet à l'intérieur de l'unité intérieure.</p>	<p></p> <p>Il est de votre responsabilité de vous assurer que l'appareil est relié à la terre selon les Codes électriques en vigueur ; pour cela, contactez un technicien agréé.</p>

Identification des pièces

Unité intérieure



Unité extérieure



Nom de la pièce

1. Télécommande

2. Filtre à air

3. Grilles d'aération horizontale

4. Panneau avant

5. Conduits et cordon de raccordement électrique

6. Embout d'évacuation

Les illustrations de cette notice se basent sur la vue externe d'un modèle standard. Aussi, la forme de l'appareil peut varier, selon le modèle acheté.

Présentation des fonctions

Témoin lumineux de température 1

88



Indicateur de marche intégré 2

S'allume lorsque le CA est activé.
Clignote pendant le dégivrage.



Témoin lumineux « Minuteur » 3

S'allume pendant le réglage de l'heure.



Témoin lumineux « Veille » 4

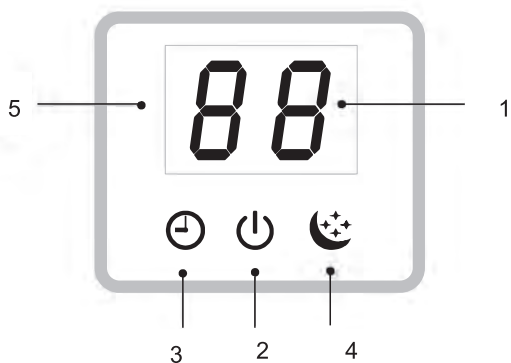
S'allume lorsque la Veille est activée.



Témoin lumineux « Mode » 5

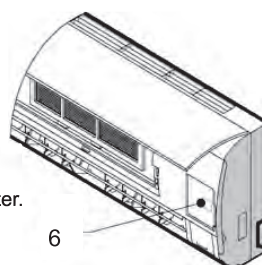
Le mode Chauffage est affiché en orange,
les autres modes en blanc

Récepteur de signal 6



Bouton d'urgence 6

ON/OFF Pour activer le mode CA (courant alternatif), ou l'arrêter.



Entretien et maintenance

Maintenance du panneau avant
Coupez l'alimentation
Placez l'appareil sur la position "a" et tirez vers l'extérieur pour retirer le cache avant.
Essuyez avec un chiffon propre et sec. Utilisez un chiffon humide si l'appareil est très sale.
N'utilisez jamais de substances volatiles telles que le gasoil ou les poudres de polissage pour nettoyer l'appareil.
Ne déversez jamais d'eau directement sur l'appareil
Réinstallez le cache et refermez-le bien. Réinstallez -le sur la position "b", représentée ci-dessous.

Maintenance du filtre avant
Il est nécessaire de nettoyer le filtre à air après avoir utilisé l'appareil environ 200 heures. Suivez la procédure de nettoyage suivante :
Arrêtez l'appareil et retirez le filtre. 1. Ouvrez le cache avant. 2. Appuyez sur la poignée du filtre délicatement. 3. Saisissez la poignée et faites glisser le filtre pour l'extraire.
Nettoyez et réinstallez le filtre à air. Si la saleté est tenace, utilisez un mélange d'eau savonneuse tiède. Une fois le filtre nettoyé, laissez-le sécher à l'air libre.
Refermez le cache avant. <input checked="" type="checkbox"/> Nettoyez le filtre à air toutes les deux semaines si le climatiseur fonctionne dans un environnement particulièrement poussiéreux.

Protection

Condition de fonctionnement

Le dispositif de sécurité peut s'enclencher et entraîner l'arrêt de l'appareil, dans les cas suivants :

CHAUFFAGE (HEATING)	La température de l'air extérieur est supérieure à 75 (24°C)
	La température de l'air extérieur est inférieure à -13°F(-25°C)
	La température de la pièce est supérieure à 80,6 (27°C)
CLIMATISATION (COOLING)	La température de l'air extérieur est supérieure à *115(46°C)
	La température de la pièce est inférieure à 70 (21°C)
AIR SEC (DRY)	La température de la pièce est inférieure à 64,5 (18°C)

**Pour les modèles destinés à fonctionner sous climats tropicaux (T3), la température de point est de 131 (55°C) au lieu de 109 (43°C). La température de certains produits est autorisée à dépasser cette valeur. Dans certains cas spécifiques, il est conseillé de contacter le vendeur directement. Si le climatiseur fonctionne en mode COOLING ou DRY avec une porte ou une fenêtre ouverte pendant une longue durée et que l'humidité relative est supérieure à 80%, il se peut que de la condensation se forme.*

Pollution sonore

- Installez le climatiseur dans un endroit où son poids peut être facilement supporté, afin de garantir son bon fonctionnement.
- Installez l'unité extérieure dans un endroit où l'air rejeté ainsi que le bruit provoqué par le fonctionnement du système ne dérangeront pas vos voisins.
- Veillez à ce qu'il n'existe aucun obstacle face à la sortie d'air de l'unité extérieure, car cela risquerait d'augmenter le niveau sonore.

Fonctions du système de sécurité

Le système de sécurité s'activera dans les cas suivants.

- 1 Si vous redémarrez l'appareil après l'avoir arrêté ou que vous changez de mode pendant son fonctionnement, vous devez patienter 3 minutes pour que les nouveaux paramètres soient pris en compte par le système.
- 2 Si l'appareil a arrêté complètement de fonctionner, appuyez sur le bouton ON/OFF pour le redémarrer. Le Minuteur devra être réglé de nouveau s'il a été annulé.

Fonctions du mode CHAUFFAGE (HEATING)

Préchauffage

Après l'activation du mode HEATING, le flux d'air de l'unité intérieure est éjecté après 2-5 minutes.

Dégivrage

En mode HEATING, l'appareil dégivrera automatiquement pour augmenter ses capacités. Cette procédure dure en général 2 à 10 minutes. Pendant le dégivrage, les ventilateurs arrêtent de fonctionner.

Une fois le dégivrage terminé, l'appareil retourne automatiquement en mode HEATING.

Remarque : Le mode chauffage n'est PAS disponible sur les modèles non réversibles.

Astuces pour économiser l'énergie

1. La température de la pièce est correcte le soir : pendant la nuit, vous n'avez pas besoin du même niveau de chauffage/climatisation. Essayez d'utiliser le mode Veille (Sleep) pour faire adapter de façon graduelle la pièce à la température ambiante, sans que la différence ne soit trop brutale et pour faire des économies d'énergie.

2. Rideaux et stores : en été, vous devez vous protéger du soleil.

Fermez les volets et les rideaux côté sud/ouest de votre maison pour éviter de stocker la chaleur. En hiver, le soleil est votre ami. Ouvrez les rideaux et les stores pour faire pénétrer le soleil à l'intérieur.

3. Portes fermées : si vous n'avez pas besoin de chauffer l'intégralité de votre foyer, restreignez le chauffage et la climatisation à une seule pièce, en fermant les portes. Limitez l'espace que vous chauffez/climatisez pour ne pas faire fonctionner l'appareil inutilement.

4. Entretien basique : certaines petites tâches sont nécessaires pour le bon entretien de votre appareil. L'unité extérieure risque de se salir rapidement ; particulièrement si votre zone est poussiéreuse ou que des débris sont susceptibles d'être transportés par le vent. Dans ce cas, c'est l'appareil dans son intégralité qui fonctionnera moins bien!

5. Réaménagement de la pièce : les meubles peuvent empêcher l'air de circuler librement (canapés, tables, chaises)... Essayez de dégager la pièce au maximum et empêchez que les meubles ne bloquent la circulation de l'air. Utilisez la grille d'aération réglable pour diriger l'air dans la pièce; retirez les éléments gênants ou redirigez la grille.

6. Essayez le 75 degrés: 75 (24°C) est une bonne température pour un climatiseur, car à cette température, l'appareil fonctionne à ses pleines capacités. Un seul petit degré de différence peut vous faire dépenser trop d'énergie!

7. Éclairage : éteindre les lumières peut faire baisser la chaleur. Chaque ampoule est un petit radiateur à elle seule. Votre climatiseur doit alors s'adapter en fonction de la chaleur déjà présente dans la pièce pour vous apporter la bonne température ; cela lui demande beaucoup d'énergie.

8. Y-a-t-il quelqu'un à la maison? Dans la mesure du possible, lorsque vous n'êtes pas chez vous, éteignez l'appareil et laissez les fenêtres/portes fermées. Même si la température est légèrement inconfortable lorsque vous rentrez chez vous, cela ne durera que quelques minutes et l'appareil remettra rapidement la pièce à bonne température.

9. N'oubliez pas le ventilateur : le ventilateur fonctionne comme un véhicule. Plus il tourne vite, plus il dépense d'énergie. Parfois, nous voulons que le véhicule aille plus vite, mais bien souvent, lentement il est tout aussi efficace. Essayez de faire des économies en faisant tourner le ventilateur le plus lentement possible.

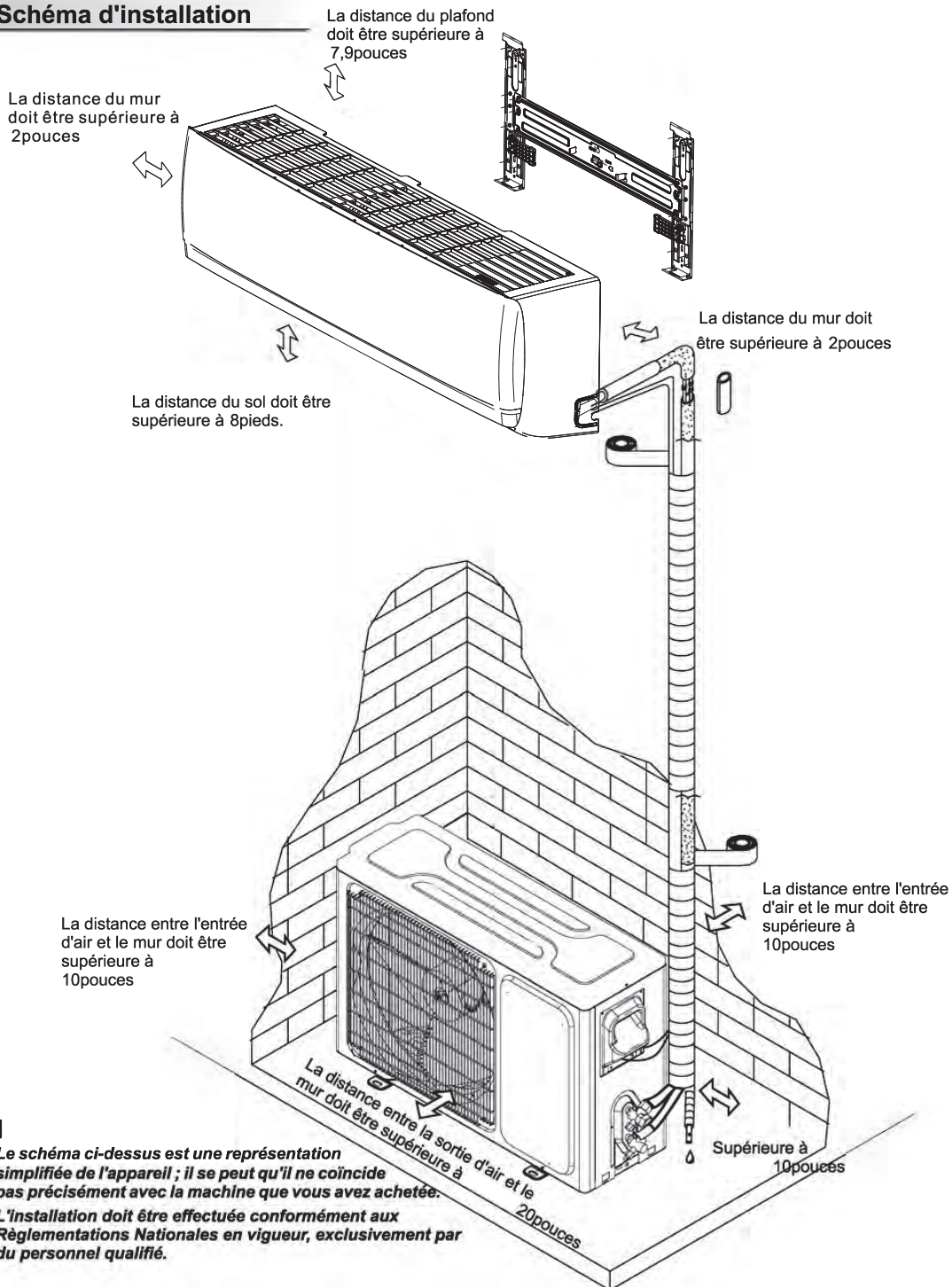
Dépannage

Les problèmes suivants ne signifient pas systématiquement un défaut de l'appareil ; veuillez vous reporter à la Table suivante avant de contacter l'Assistance Clients.

Problème	Analyse
Ne fonctionne pas	<ul style="list-style-type: none"> • Si le disjoncteur a sauté ou que le fusible a sauté, merci de patienter 3 minutes et redémarrez l'appareil. Il se peut que le système de sécurité empêche l'appareil de fonctionner. • Il se peut que les piles de la télécommande soient usagées. • Vérifiez que l'appareil est correctement connecté à l'électricité.
Le chauffage ou la climatisation ne fonctionne pas	<ul style="list-style-type: none"> • Le filtre à air est peut-être encrassé? • Les aérations sont-elles bien dégagées ? • La température est-elle correctement réglée ? • Les portes/fenêtres sont-elles bien fermées ?
L'appareil ne répond plus	<ul style="list-style-type: none"> • Si vous constatez une interférence importante (décharge d'électricité statique excessive, problème au niveau de la tension d'alimentation), l'appareil risque de dysfonctionner. Débranchez l'alimentation et branchez de nouveau après avoir patienté 2-3 secondes.
L'appareil ne répond pas immédiatement	<ul style="list-style-type: none"> • Si vous modifiez le mode de fonctionnement pendant que l'appareil est en marche, 3 minutes sont nécessaires pour que les changements soient pris en compte.
Odeur particulière	<ul style="list-style-type: none"> • Cette odeur peut provenir d'une autre source telle qu'un objet, une cigarette, ou autre, coincée dans l'appareil et bloquant la sortie d'air.
Bruit d'« eau qui coule »	<ul style="list-style-type: none"> • Ce bruit est dû au son émis par le liquide frigorigène qui circule dans le climatiseur. Cela ne signifie en aucun cas un dysfonctionnement du système. • En mode « HEATING », son de dégivrage.
Bruit de « craquellement »	<ul style="list-style-type: none"> • Ce son peut être dû à l'expansion ou la contraction du panneau avant, provoquée par un changement de température.
Vapeur émanant de la grille d'aération	<ul style="list-style-type: none"> • De la vapeur se forme lorsque l'air de la pièce devient très froid. Cela est dû au fait que l'air froid est éjecté de l'unité intérieure pendant l'activation des modes COOLING ou DRY.
Le témoin lumineux du compresseur est allumé en permanence, le témoin lumineux principal clignote et ventilateur ne fonctionne plus.	<ul style="list-style-type: none"> • L'unité passe du mode HEATING au mode Dégivrage (DEFROST). Le témoin lumineux s'éteint et se rallume lorsque le mode HEATING est activé.

Consignes d'installation

Schéma d'installation



- Le schéma ci-dessus est une représentation simplifiée de l'appareil ; il se peut qu'il ne coïncide pas précisément avec la machine que vous avez achetée.
- L'installation doit être effectuée conformément aux Règlements Nationales en vigueur, exclusivement par du personnel qualifié.

Consignes d'installation

Outils suggérés

Afin d'installer votre climatiseur de façon sécurisée et adaptée, voici une liste d'outils que vous pouvez utiliser.

Clé anglaise classique

Tournevis

Clé hexagonales ou clés Allen

Clés anglaises réglables/à molette

Clés dynamométriques

Forets et perceuse

Collecteurs et jauges

Pompe à vide

Pince / Mètre

Niveau

Gants de travail

Lunettes de sécurité

Coupe-conduits

Graduation agent frigorigène

Outil de brûlage R410A

Jauge microns

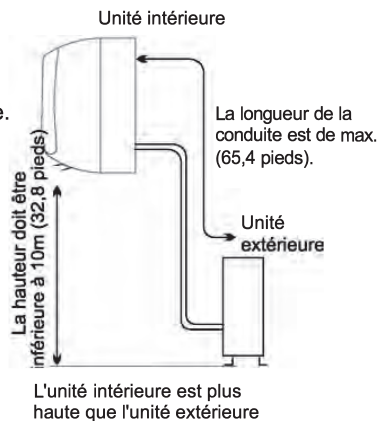
Scie cloche

Consignes d'installation

Consignes relatives au site

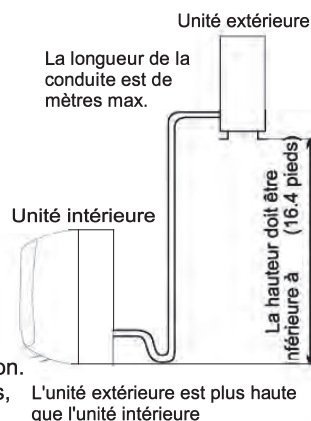
Site destiné à accueillir l'unité intérieure

- Partout où il n'existe aucun obstacle susceptible d'encombrer la sortie d'air et que l'air peut être expulsé sans difficulté.
- Partout où des conduites peuvent être installées et des trous percés dans les murs.
- Laissez m'espace nécessaire entre le plafond et l'appareil, et l'appareil et le mur, tel que cela est montré sur le diagramme de la page précédente.
- Partout où le filtre à air peut être retiré sans difficulté.
- Maintenez l'appareil ainsi que la télécommande à 1m (3,28pieds) minimum de la télévision, radio etc.
- Maintenez l'appareil éloigné au maximum des lampes fluorescentes.
- Ne rien placer devant l'entrée d'air.
- Installez l'appareil sur un mur suffisamment solide pour supporter le poids de l'appareil.
- Installez le dispositif dans un lieu où les bruits et les vibrations ne risquent pas d'être amplifiés.
- Tenez à l'écart des rayons directs du soleil et des sources de chaleur. Ne placez pas de matériaux inflammables ni d'appareils à combustion sur le dessus de l'appareil.



Site destiné à accueillir l'unité extérieure

- Partout où l'appareil peut être installé facilement et où une bonne ventilation existe.
- Évitez d'installer l'appareil où il existe un risque possible de gaz inflammable.
- Respectez les distances recommandées entre l'appareil et les murs.
- Maintenez l'unité extérieure à l'écart des mélanges graisses/poussière, des sorties de gaz.
- Évitez d'installer l'appareil à proximité d'une route, afin d'éviter la présence de boue.
- Installez l'appareil sur une base fixe, afin d'éviter l'apparition de bruits.
- Partout où la sortie d'air n'est pas bloquée.
- Évitez d'exposer l'appareil aux rayons directs du soleil, dans un endroit trop sombre, près de la route, près de sources de chaleur et de ventilation. Maintenez-le également éloigné des substances inflammable, des huiles, et des endroits humides et peu sécurisés.
- Dans le cas où la longueur de la conduite dépasserait (24,6 pieds), le liquide frigorigène doit être réapprovisionné, comme le montre l'illustration suivante.



Modèle	Volume supplémentaire requis de liquide frigorigène (oz/ft)
9K-12K	0.20

Si la longueur de la conduite ou la hauteur ne correspondent pas aux valeurs mentionnées dans la Table, veuillez contacter le fabricant.

Consignes d'installation

Installation de l'unité intérieure

1. Installation du socle d'assemblage

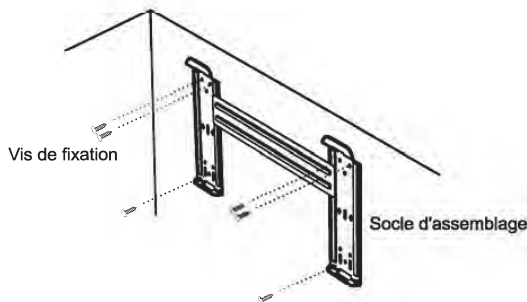
- Choisissez un lieu d'installation pour le socle d'assemblage, en tenant compte du sens d'installation des conduites et de l'emplacement de l'unité intérieure.

Remarque : il est conseillé d'installer les vis pour le Placoplatre, le béton, les briques et autres types de parois murales similaires.

- Maintenez le socle d'assemblage à l'horizontal, au moyen d'un niveau horizontal ou d'un mètre.
- Marquez le centre de l'unité intérieure sur le socle d'assemblage pour votre référence.

Remarque : il se peut que le centre du bras d'assemblage ne soit pas le centre de l'unité intérieure.

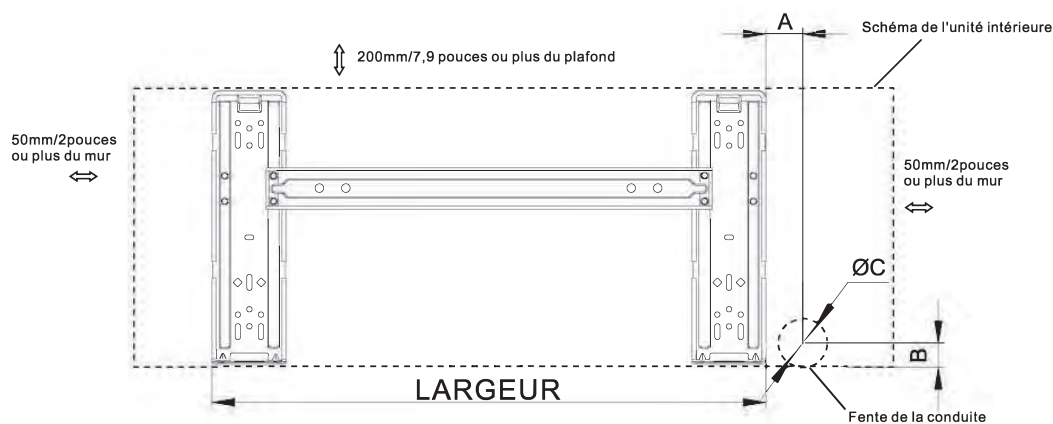
- Fixez le socle d'assemblage au mur au moyen de cinq vis minimum, que vous espacerez de façon régulière afin de bien répartir le poids de l'appareil.



Remarque : la forme de votre socle d'assemblage peut varier de celui représenté ci-dessus, mais la procédure d'installation est similaire.

Remarque : comme le montre l'illustration ci-dessus, les six fentes accueillant les vis de fixation doivent servir à fixer le socle d'assemblage ; les autres sont préparées.

SCHÉMAS D'ASSEMBLAGE DES SUPPORTS ET DIMENSIONS (Recommandés)

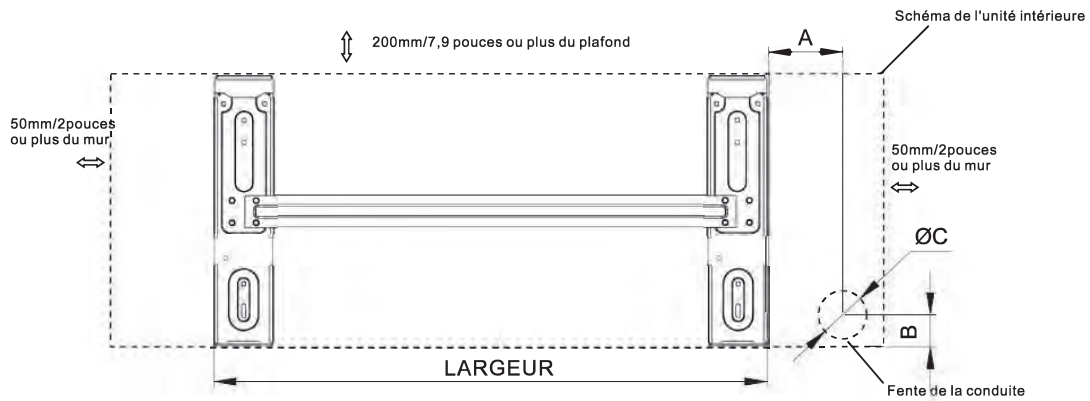


Pour les gammes 808, LARGEUR : 592mm/23,3 pouces

Consignes d'installation

Installation de l'unité intérieure

SCHÉMAS D'ASSEMBLAGE DES SUPPORTS ET DIMENSIONS (Recommandés)



Pour les gammes 908, LARGUEUR : 629mm/24,8 pouces

Consignes d'installation

Installation de l'unité intérieure

2. Percez un trou dans le mur pour interconnecter les conduites, le système d'évacuation et les câbles

- Choisissez de la position à donner au trou pour raccorder au mieux les conduits au socle d'assemblage.
- Percez un trou dans le mur. Le trou doit être légèrement incliné vers le bas et vers l'extérieur.
- Installez un manchon dans le trou percé, pour que le mur reste propre et dégagé.

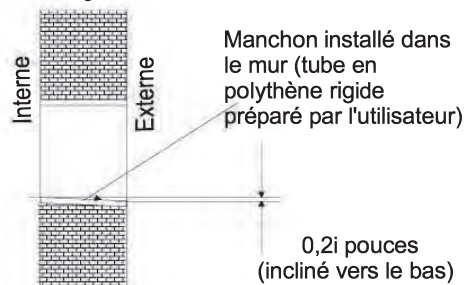
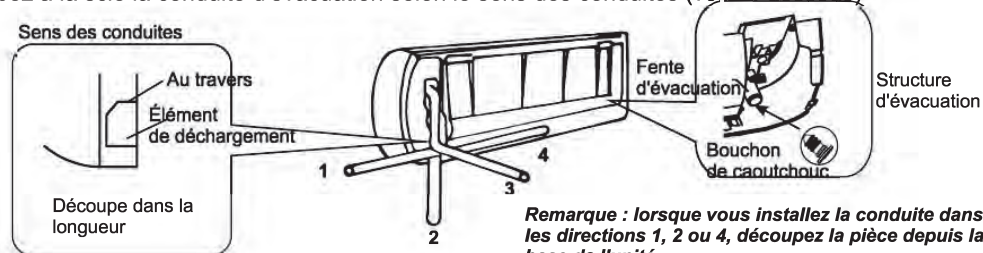


Table des dimensions à respecter selon les modèles

Modèle de l'appareil	Dimension A	Dimension B	Dimension C
	mm/in	mm/in	mm/in
Gamme808	70/2.75	35/1.38	70/2.7
Gamme908	137/5.4	40/1.57	70/2.7

3. Raccordements des conduites et de l'embout d'évacuation avec l'unité intérieure

- Placez les conduites (conduite à gaz et à liquide) ainsi que les câbles dans le trou percé au mur, depuis l'extérieur ou en les poussant vers l'intérieur après avoir achevé le raccordement des câbles et conduites internes avec l'unité extérieure.
- Découpez à la scie la conduite d'évacuation selon le sens des conduites (voir ci-dessous).



Remarque : lorsque vous installez la conduite dans les directions 1, 2 ou 4, découpez la pièce depuis la base de l'unité.

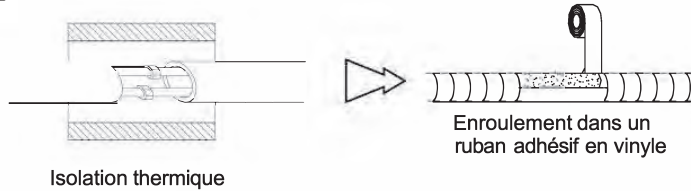
- Après avoir raccordé les conduites, installez l'embout d'évacuation. Puis, reliez les cordons d'alimentation. Une fois le branchement effectué, enroulez la conduite, les cordons et l'embout d'évacuation dans un isolant thermique.

Remarque : les deux côtés de la structure d'évacuation sont standards. Pour ces deux côtés, vous pouvez choisir de faire évacuer le système par la gauche ou la droite. Si vous choisissez une évacuation des deux côtés, un autre embout d'évacuation doit être installé, car il n'existe qu'un seul embout d'évacuation fourni avec l'appareil. Si vous décidez de faire évacuer le système par un seul côté, assurez-vous que l'embout d'évacuation de l'autre côté est correctement raccordé.

Consignes d'installation

Installation de l'unité intérieure

- **Isolation thermique des joints étanches :** enrroulez les joints étanches dans un matériau d'isolation thermique, puis dans un ruban adhésif en vinyle.

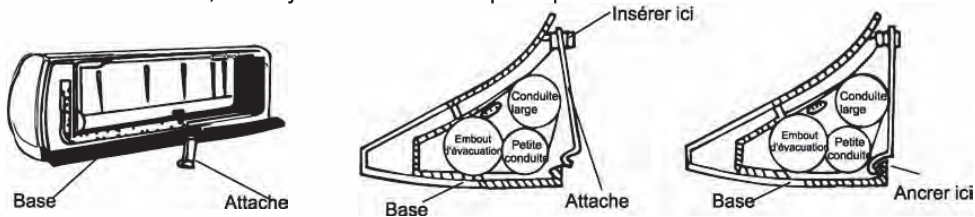
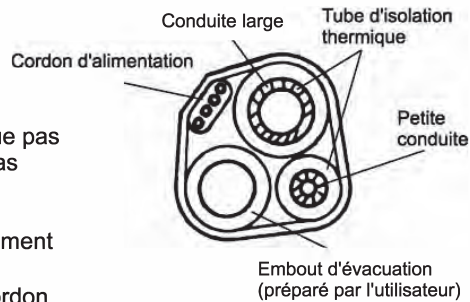


- **Isolation thermique des conduites :**

- Positionnez le conduit d'évacuation sous la conduite.
- Le matériau isolant utilise de la mousse polythène sur 6mm d'épaisseur.

Remarque : l'embout d'évacuation est préparé par l'utilisateur.

- Positionnez le conduit d'évacuation de façon à ce qu'il ne risque pas de s'enrouler, de se tordre ou de trop s'étirer. Ne le plongez pas (ni ses extrémités) dans l'eau.
- Si un embout d'évacuation supplémentaire est relié au conduit d'évacuation principal, vérifiez bien que ce dernier est correctement isolé de l'unité intérieure.
- Lorsque la conduite est dirigée vers la droite, la conduite, le cordon d'alimentation et l'embout d'évacuation doivent être isolés thermiquement puis fixés à l'arrière de l'unité, au moyen d'une attache spécifique.

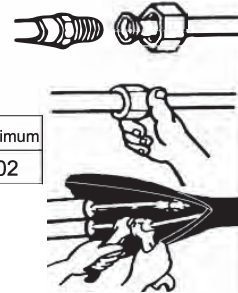


A. Insérez l'attache dans la fente.

B. Appuyez pour bien ancrer l'attache sur la base.

Raccordement des conduites :

- Reliez les conduites de l'unité intérieure au moyen de deux clés. Soyez particulièrement attentifs à respecter le couple indiqué ci-dessous pour éviter que les conduites, connecteurs et écrous évasés ne se déforment et soient endommagés.
- Presserez les éléments manuellement dans un premier temps, puis servez-vous des clés.



Modèle	Dimension de la conduite	Couple	Largeur de l'écrou	Épaisseur minimum
9K-12K	Volume du liquide (φ 6 ou 1/4)	15~20N·m ou 11~15ft·lbs	17 ou 5/8	0.5 ou 0.02

REMARQUE :

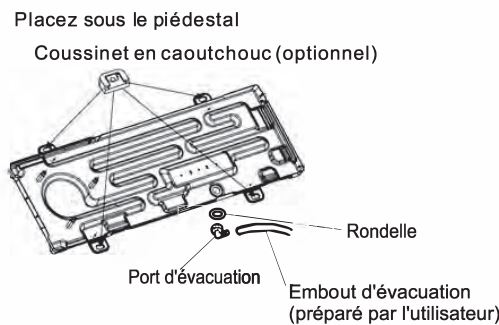
Les dimensions sont données en mm ou en pouces, sauf contre-indications dans la table

Consignes d'installation

Installation de l'unité extérieure

1. Installation du dispositif d'évacuation du condensat sur l'unité extérieure

L'évacuation du condensat permet de décharger l'unité extérieure lorsque cette dernière fonctionne en mode Chauffage (HEAT). Afin de ne pas déranger vos voisins et de protéger l'environnement, installez un port d'évacuation et un embout d'évacuation pour évacuer l'eau condensée. Installez simplement un port d'évacuation et une rondelle en caoutchouc sur le châssis de l'unité extérieure, puis reliez un embout d'évacuation au port, comme sur l'illustration suivante.



2. Installez les coussinets ou les crochets de suspension.

1. Déterminez le meilleur emplacement pour l'unité extérieure.
2. Suivez les consignes livrées par le fabricant lorsque vous installez les supports muraux.
3. Vérifiez que les fixations et/ou les coussinets peuvent supporter le poids de l'unité extérieure.
4. Vérifiez que les fixations et/ou les coussinets sont bien nivelés et respectent les espaces requis.
5. Fixez le tout au moyen de boulons et d'écrous, en prenant appui sur une surface plane et solide. Si vous installez l'unité sur un toit, assurez-vous bien que les vibrations et le vent ne risquent pas de faire chuter l'appareil.

MISE EN GARDE

Les Normes en vigueur en Floride obligent à fixer l'unité extérieure sur un socle en béton, au moyen de quatre clavettes de 3/8 pouces de diamètre (ou équivalent), ainsi qu'avec des rondelles de 1 pouce de diamètre. Les vis de fixations doivent être intégrées à une couche de béton de 3000 PSI minimum, à une distance de 4 ½ pouces des angles. Cette épaisseur ne doit pas dépasser 1,5 fois la profondeur d'ancrage.

Consignes d'installation

3. Raccordements électriques de l'unité extérieure

- Retirez le cache (si le système en est muni) pour pouvoir accéder aux robinets de service et aux ports de réfrigération.
- Ajustez délicatement la longueur des conduites à liquide frigorigène afin d'atteindre les robinets de service. Utilisez les outils adaptés pour ne pas endommager le réseau.
- Appliquez un peu d'huile sur les raccords.
- Alignez correctement et serrez les vis en respectant les couples indiqués, dans la rubrique qui s'y rapporte.
- Serrez bien les vis pour que le couplage soit correct :

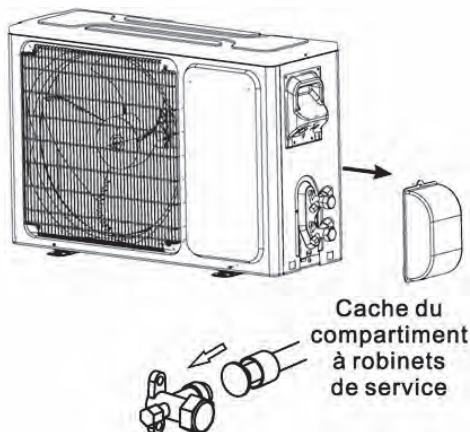


Table de couples

Diamètre de la conduite /pouces (mm)	Dimension de l'écrou /pouces (mm)	Couple de serrage	
		ft-lbs	N-m
1/4(6.35)	1/4(17)	11 à 15	15 à 20
3/8(9.5)	3/8(22)	22 à 26	30 à 35
1/2(12.7)	1/2(25)	37 à 41	50 à 55
5/8(15.9)	5/8(29)	44 à 48	60 à 65

Remarque : un serrage trop fort peut endommager les raccords à sertir et provoquer des fuites.

Consignes d'installation

Alimentation et câblage

Raccordement du câble

Unité intérieure

Connectez le cordon d'alimentation à l'unité intérieure en reliant les câbles aux bornes du tableau de contrôle, en tenant compte des branchements de l'unité extérieure.

Remarque : pour certains modèles, il est nécessaire de retirer le cabinet pour réaliser le raccordement avec la borne de l'unité intérieure.

Unité extérieure

1) Retirez la section de câble de l'unité en desserrant les vis. Connectez les câbles aux bornes individuellement au panneau de contrôle, de la façon suivante.

2) Sécurisez le cordon d'alimentation sur le panneau de contrôle au moyen d'une pince.

3) Réinstallez la section de câble dans sa position d'origine, au moyen d'une vis.

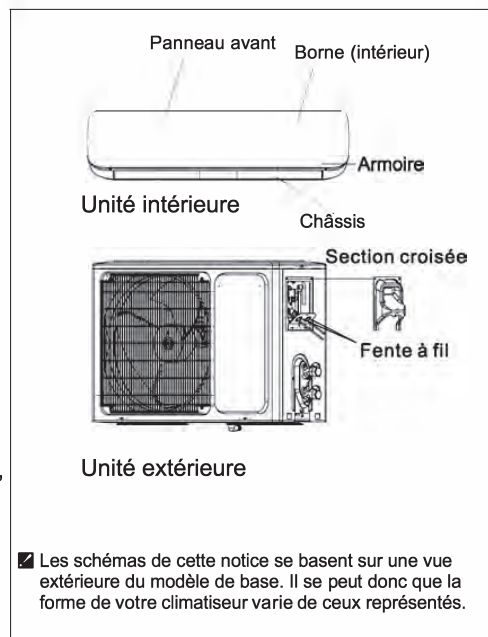
4) Installez un disjoncteur adapté au entre la source d'alimentation et l'unité. Un système de déconnexion raccordé au réseau doit être installé.

Attention :

1. N'oubliez jamais d'installer un circuit électrique individuel spécifiquement relié au climatiseur.
- En ce qui concerne la méthode de câblage, consultez le diagramme présent à l'intérieur de la porte d'accès.
2. Vérifiez que l'épaisseur des câbles est conforme à celle mentionnée sur plaque nominative
3. Vérifiez que les câbles sont bien reliés et qu'ils sont correctement serrés.
4. Pensez bien à installer un disjoncteur relié au sol dans les endroits humides ou mouillés.

Caractéristiques du câble

Capacité(Btuh)	Cordon d'alimentation	Cordon d'alimentation
	Zones transversales standard	Zones transversales standard
9K-12K(208/230V)	3X16 AWG	4X14 AWG



Attention:

La prise doit être accessible même une fois l'installation de l'appareil achevée, dans le cas où il serait nécessaire de le débrancher. Si cela n'est pas possible, reliez l'appareil à un commutateur muni d'une séparation de contact d'au moins 3 mm, situé dans un endroit accessible même après installation.

Consignes d'installation

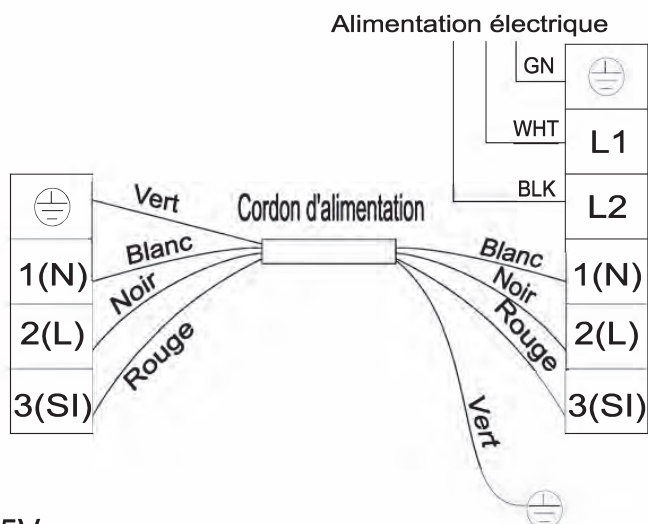
Schéma de câblage

Assurez-vous que la couleur des câbles de l'unité extérieure et de la borne est similaire à celle de l'unité intérieure.

1) 208/230V

Unité intérieure
Borne

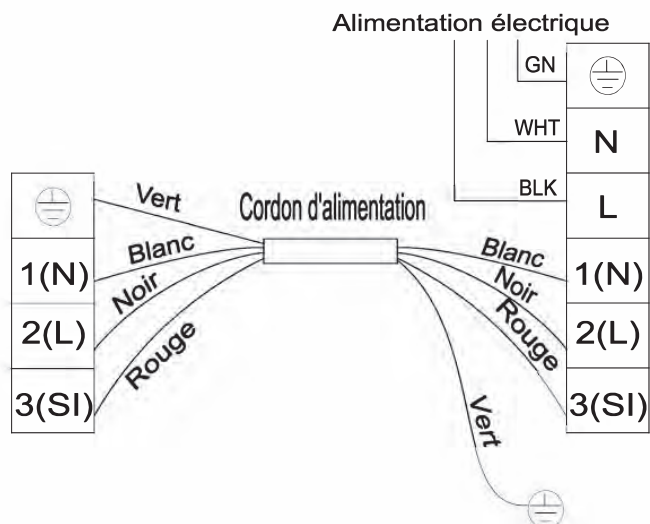
Unité extérieure
Borne



2) 115V

Unité intérieure
Borne

Unité extérieure
Borne



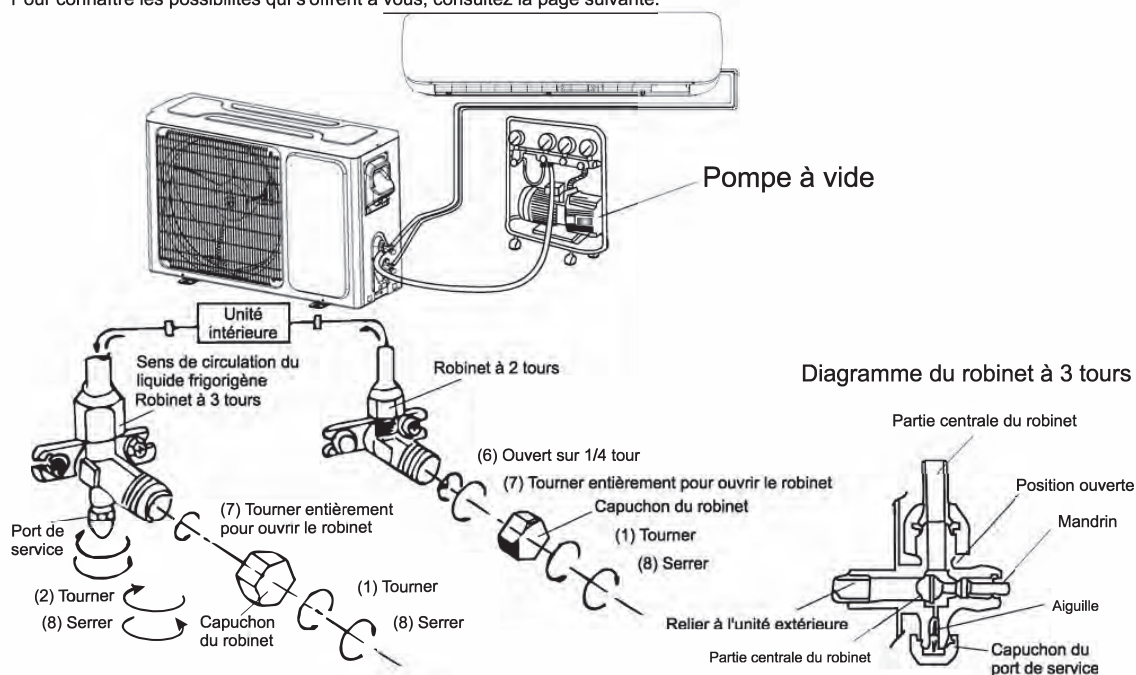
▣ Ce schéma est donné à titre purement indicatif, et la valeur indiquée sur la borne prévaut.

Consignes d'installation

Charge et décharge

Le circuit est chargé en humidité et en eau, ce qui peut entraîner un dysfonctionnement du compresseur. Après avoir connecté les unités intérieures et extérieures, libérez l'air et l'humidité contenus dans le circuit de réfrigération au moyen d'une pompe à vide, comme cela est représenté ci-dessous.

Remarque : pour protéger l'environnement, pensez à ne pas décharger le liquide réfrigérant directement dans l'air qui vous entoure. Pour connaître les possibilités qui s'offrent à vous, consultez la page suivante.



Comment vider les tubes à air :

- (1) Dévissez et retirez les capuchons des robinets à 2 et 3 tours.
- (2) Dévissez et retirez le capuchon du robinet de service.
- (3) Branchez le flexible du dispositif d'évacuation au robinet de service.
- (4) Démarrez la pompe à vide et faites-la tourner pendant 10-15 minutes jusqu'à ce que l'aspiration atteigne 10 mm Hg absolus.
- (5) Avec la pompe toujours en fonctionnement, fermez le bouton de pression basse situé sur le levier de la pompe. Arrêtez ensuite la pompe.
- (6) Ouvrez le robinet à 2 tours, puis refermez-le après 10 secondes. Vérifiez l'épaisseur de tous les joints au moyen de savon liquide ou d'un détecteur de fuites électronique.
- (7) Refermez bien les robinets à 2 et 3 tours. Débranchez le flexible de la pompe.
- (8) Remettez les capuchons des robinets en place et serrez-les bien.

Consignes d'installation

Démarrage

Test de mise en marche

Après avoir vérifié que le réseau électrique est correct et qu'il n'existe aucune fuite de gaz, vous pouvez tester la mise en marche de l'appareil.

1. Démarrez l'unité extérieure.
2. Appuyez sur le bouton "ON/OFF" de la télécommande pour lancer le test.
3. Enclenchez le bouton MODE, sélectionnez le mode COOLING, HEATING, FAN pour confirmer toutes les fonctions.

Vérification du système

1. Dès que possible, vérifiez l'état des conduites.
2. Assurez-vous que les conduits ne sont pas pliés/courbés.
3. Vérifiez que l'ensemble des raccords est bien isolé.
4. Serrez les conduites au maximum afin de les sécuriser.
5. Pour les conduites contenant le liquide frigorigène, vérifiez bien qu'il n'existe aucun risque de fuite, et colmatez si besoin.

Unité intérieure

1. Les touches de la télécommande fonctionnent-elles toutes correctement?
2. Les témoins lumineux sont-ils tous fonctionnels?
3. La grille d'aération bascule-t-elle correctement?
4. L'évacuation s'effectue-t-elle correctement?

Unité extérieure

1. Appuyez sur le bouton MODE /COOL et ajustez le réglage sur 61 (16°C) . Attendez 3 minutes, le temps pour le compresseur de se mettre en route. Le compresseur et le ventilateur extérieur sont-ils en mode COOL?
2. Appuyez sur le bouton MODE/ HEAT et ajustez le réglage sur 85(30°C) Attendez 3 minutes, le temps pour le compresseur de se mettre en route. Le compresseur et le ventilateur extérieur sont-ils en mode HEAT?

