

This Owner's Manual is provided and hosted by [Appliance Factory Parts](http://www.appliancefactoryparts.com).



FRIEDRICH ZCP12DA Owner's Manual

[Shop genuine replacement parts for FRIEDRICH
ZCP12DA](#)



[Find Your FRIEDRICH Air Conditioner Parts - Select From 1577 Models](#)

----- Manual continues below part list -----

Available Replacement Parts for FRIEDRICH ZCP12DA

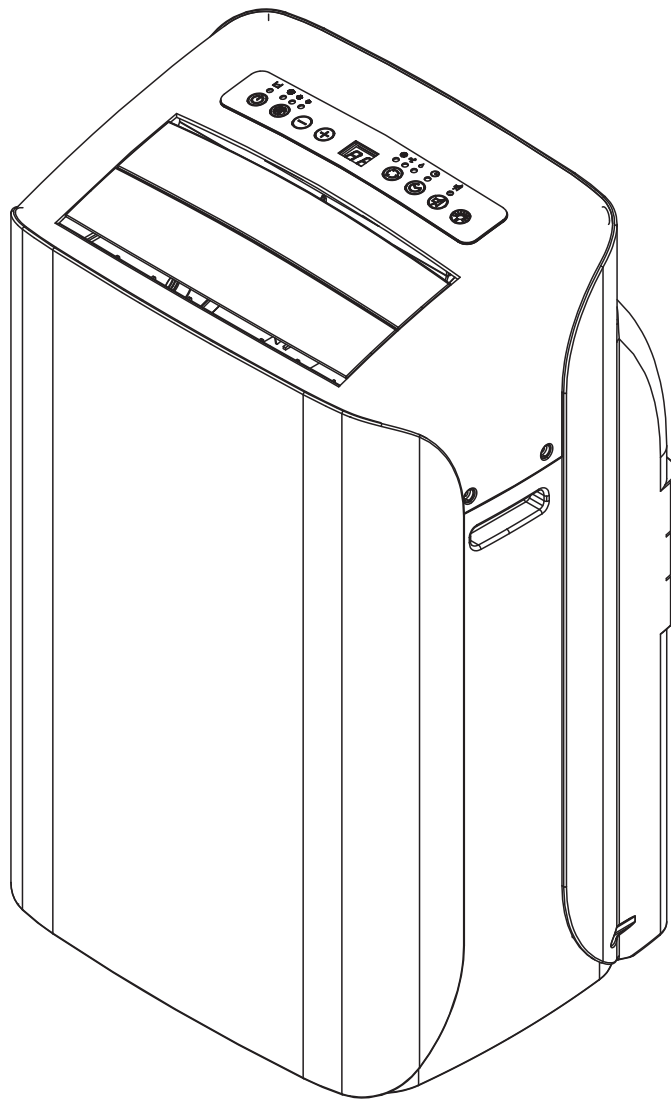
P67904001	TURNING WHEEL TYPE=PAC
P67905093	Large diameter hose
P67905094	Small diameter hose
P67905086	TWIN HOLE PLATE
P67905087	LONG PLATE
P67905088	SHORT PLATE
P67905089	LGE HOSE CONNECTOR



FRIEDRICH ZONEAIRE PORTABLE AIR CONDITIONER

FRIEDRICH
1883

Use and Care Manual



For use with ZHP14DA and ZCP12DA

WARNING

- This appliance can be used by children 8 years and above and persons with reduced physical sensory or mental capabilities or lack of experience and knowledge if they have been given supervisor instruction concerning use of the appliance in a safe way and understand the hazards involved.
- Children shall not play with the appliance.
- Cleaning and user maintenance shall not be made by children without supervision.
- Do not operate your air conditioner in a wet room such as a bathroom or laundry room.
- If the power cord on this unit is damaged, it must be replaced by the manufacturer, its service agent or qualified persons in order to avoid a hazard.
- Only install and operate this appliance as outlined in this instruction manual. At all times, use care when using this appliance.
- This appliance is only designed for home air-conditioning.
- Do not modify this appliance in any way to avoid danger.
- Electrical equipment and installations regulated by national legislation must be followed.
- Children must not use this appliance unsupervised.
- For safety reasons, anyone with psychological, physical or any medical condition that may impair judgment should only use this appliance when under the supervision of a responsible adult.
- For safety sake, never use a damaged power cable. Always refer to the manufacturer or an authorized technical service center if appliance requires repair.
- It is essential that the appliance is connected to an efficiently grounded system checked by a qualified electrician.
- The use of extension cords is not recommended.
- The air filter should be cleaned a minimum of once a week.
- Do not place the air conditioner near any heating appliance.
- The appliance should be transported upright or on its side. Any internal circuit water should be emptied before moving. Do not turn on the appliance for at least one hour before starting it.
- Flammable substances or pressurized containers (e.g. aerosol cans) should be kept a minimum of 30 cm away.
- The appliance should not be installed in rooms containing sulphur, gas or oil.
- Do not disconnect the appliance by pulling on the power cable. Always disconnect the appliance before any cleaning or maintenance is undertaken.
- Do not store anything on top of the appliance, especially heavy or hot objects.
- Repairs must only be undertaken by manufacturers' authorized service centers. Failure to comply may be dangerous.
- Do not store the appliance covered with plastic bags.
- Remember the environment when disposing of packaging around the appliance and when the appliance has reached its used by date.

WARNING

Correctly dispose of the product at the end of its working life. Do not send to urban waste but use a specialized waste collection center or a dealer providing this service. Correct disposal allows recycling, conserving energy and resources and avoids negative consequences to the environment and health. Refer to crossed out wheeled dustbin symbol as a reminder.



ELECTRICAL CONNECTIONS

- Failure to follow these important safety instructions absolves all liability for the manufacturer.

Before plugging the appliance into the main socket, ensure that:

- The value indicated on the rating plate must be the same as the main power supply.
- The power socket and the electrical circuit are sufficient for the appliance.
- The main socket matches the plug. Replace the plug if necessary by a qualified person.
- Ensure the main socket is grounded.

WARNING

Improper handling can cause serious damage to the appliance.
Read this manual carefully before operating the unit.

Do not wet the housing or control panel.



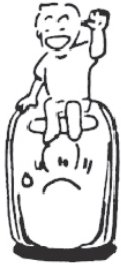
Do not cover the air outlet while in use.



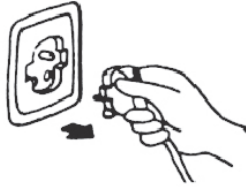
Do not allow children to play with the controls or drop any objects into the air outlet.



Do not place objects or let any person sit on top of the unit.



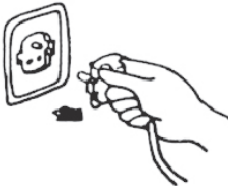
Always turn the unit off and remove the power plug from the socket when cleaning.



Do not attempt to remove any part of the casing unless by an authorised technician.



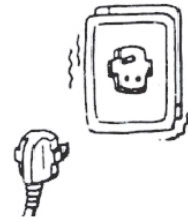
Remove the plug from the socket if the unit is not being used for long period.



Use only the correct power supply 115V~60Hz.



Do not operate the unit with damaged plug or loose socket point.



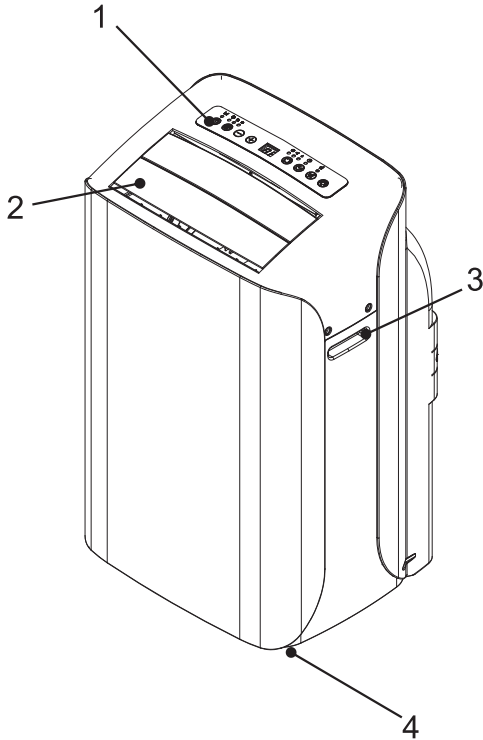
Make sure that the back of the unit is at least 30cm or more from a wall.
Do not place the unit in front of curtains or drapes in case they fall against the back air intake.

WARNING

- If the power cord on this unit is damaged it must be replaced by the manufacturer, its service agent or qualified persons in order to avoid a hazard.
- This appliance is not intended for use by children or other persons without assistance or supervision if their physical, sensory or mental capabilities prevent them from using it safely. Children should be supervised to ensure that they do not play with the appliance.

IDENTIFICATION OF PARTS

Identification of parts



1. Control panel

2. Air outlet

3. Handle hole

4. Caster

5. Air filter

6. Air outlet (Heat exchange)

7. Air intake (Evaporator)

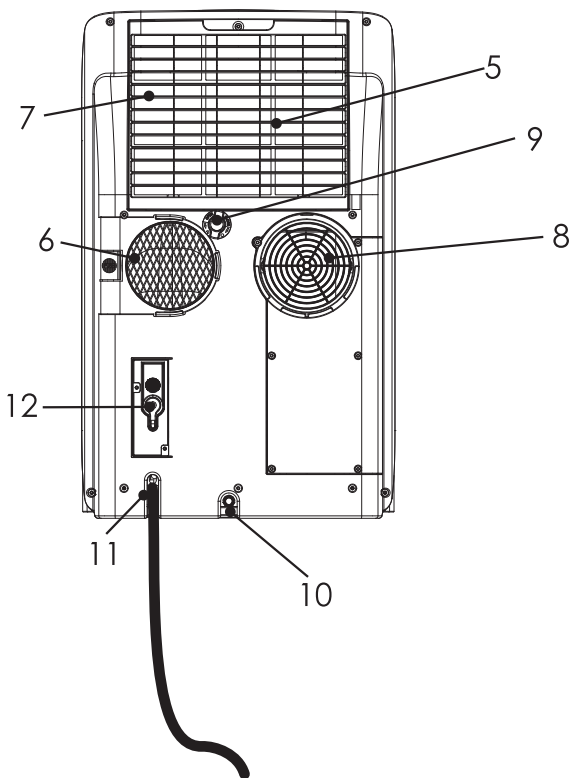
8. Air intake (Condenser)

9. Water outlet drain for continuous
drain operation
(Dehumidify mode only)

10. Water outlet drain
(Note: Please ensure that the water
outlet drain is properly installed
before use.)

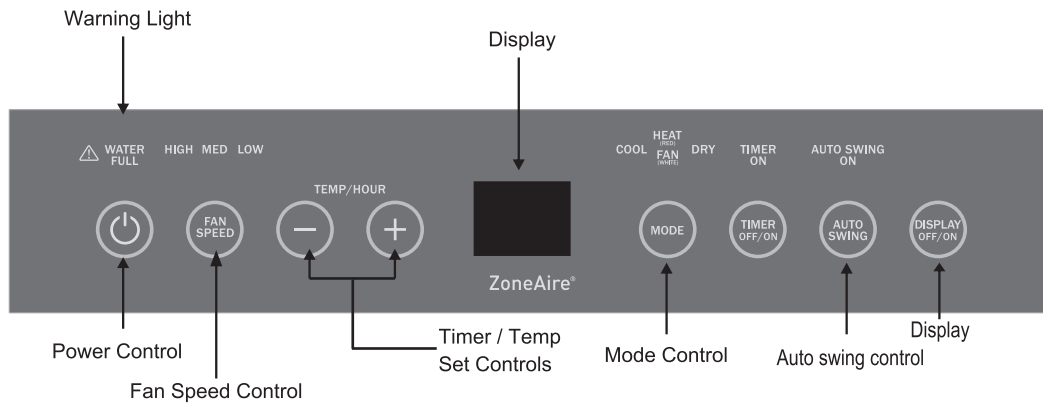
11. Power supply cord

12. Built-in drain pump
(ZHP14DA model only)



OPERATION

CONTROL PANEL



Power Control

The power control turns the unit on and off.

Warning Light ▲

Condensed water may accumulate in the unit. If the internal tank becomes full, the Warning Light will shine and the unit will not operate until the unit has been drained.

Mode Control

The Mode Control has 4 settings:

- Cool
- Dehumidify
- Fan
- Heating

The settings are adjusted with Mode Control button. A light will indicate which setting is currently being used.

● Cooling Mode

During the cooling mode the air is cooled and hot air is exhausted to the outside through the exhaust tube. Adjust fan speed and air temperature to suit your desired comfort level.

Note : The air exchange hoses must vent outside the room when using cool mode.

● Dehumidify Mode

Air is dehumidified as it passes through the unit, without being in full cooling mode. If room temperature is >25 degree Celsius, fan speed can be adjusted; otherwise fan speed is fixed to "low".

Note : If the unit is to be used as a dehumidifier, do not connect the exhaust hose let the warm air return to the room. Continuous drainage is then necessary.

● Fan Mode

Air is circulated throughout the room with no cooling.

Note: unit does not need to be vented in Fan mode

● Heating Mode (ZHP14DA model only)

When Heating mode is selected the indicator light will shine red.

Heating is activated only when the ambient temperature is below 25 degree Celsius.

Note : The air exchange hoses must vent outside the room when using heating mode.

Fan Speed Control

The Fan Speed Control has 3 settings: High, Medium, and Low.

Timer

Auto turn off :

With machine in running mode, press timer button to select number of hours you would like the unit to run in air conditioning mode until it automatically shuts off.

Auto turn on :

With machine in stand by mode, press timer button to select number of hours until you would like the unit to automatically start running in air conditioning mode.

Timer / Temp set controls

- Used for adjusting the timer and thermostat.
- The default display is room temperature.
- In cooling mode, when "+" or "-" button is pressed, the set temperature is displayed and may be adjusted. A few seconds after, the display will revert back to room temperature. Temperature is only adjustable in cool mode. The time is adjustable between 1~24 hours. Note : By pressing both "+" / "-" set buttons at the same time, the display will toggle between Celsius and Fahrenheit.

Auto swing control

Auto swing function switch

Display

You can turn the front and top panel lights on and off by hitting the **Lamp On/Off switch**.

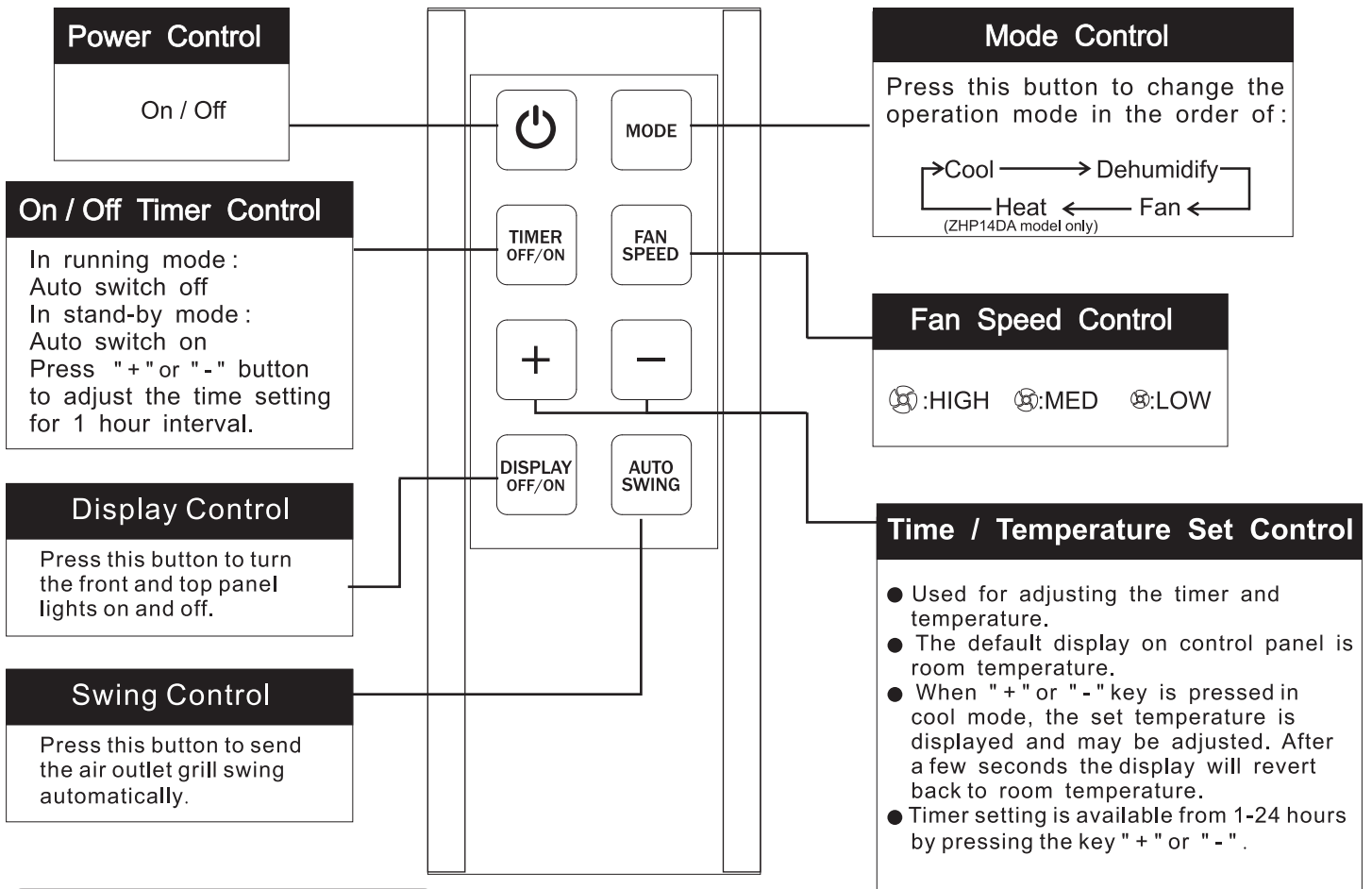
After switching the air conditioner off, you must wait 3 minutes before switching it back on again.

OPERATION

Air Conditioner Remote Control

The functions work the same as your air conditioner's touch controls. All key functions can be accessed from the remote control.

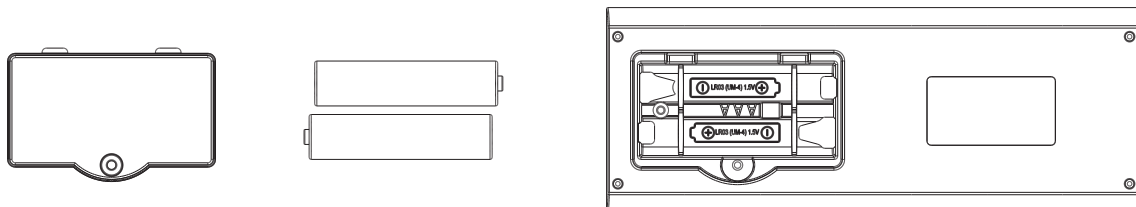
CONTROL PANEL



Notes

- Do not drop the remote control.
- Do not place the remote control in a location exposed to direct sunlight.
- The remote control should be placed about 1 meter or more away from TV, or any other electrical appliances.

Battery replacement: Remove the cover on the back of the remote control and insert the batteries with the (+) and (-) poles pointing in the proper direction.



CAUTION

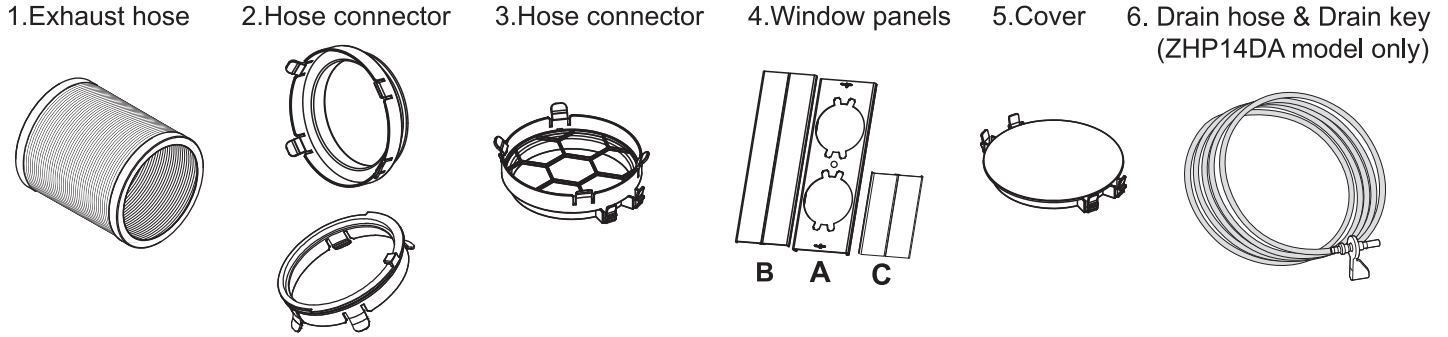


- Use only AAA or IEC R03 1.5V batteries.
- Remove the batteries if the remote control is not used for a month or longer.
- Do not attempt to recharge the supplied batteries.
- All batteries should be replaced at the same time, do not mix old battery .
- Do not dispose of the batteries in a fire as they may explode.

INSTALLATION INSTRUCTIONS

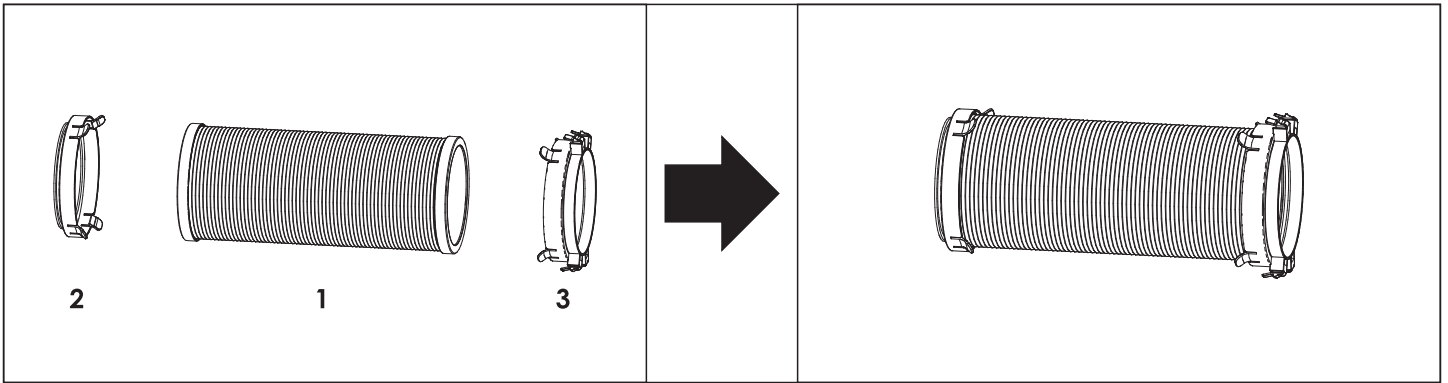
Accessories Include

- 1. Exhaust hose 2 pieces
- 2. Hose connector 2 pieces
- 3. Hose connector 2 pieces
- 4. Window panel and extension panels, extends from 20" up to 39" 3 pieces
- 5. Cover 2 pieces
- 6. Drain hose & Drain key (ZHP14DA model only) 1 piece

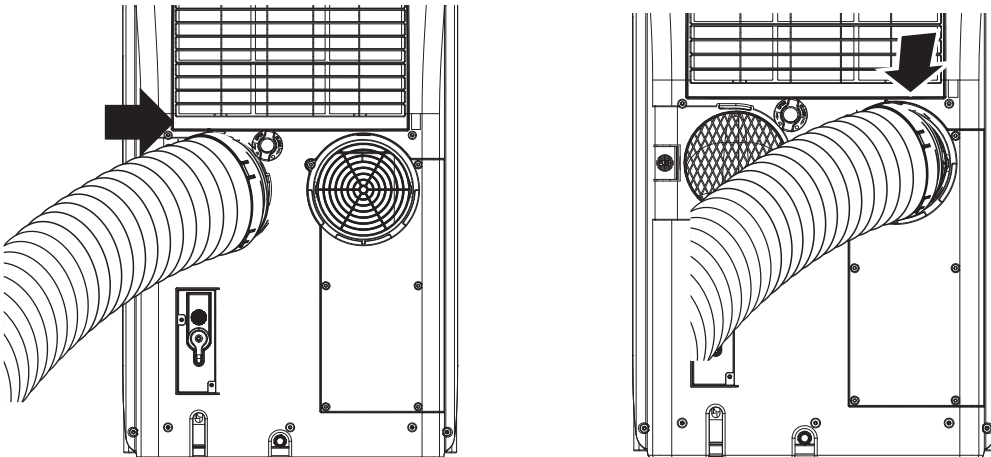


Installation :

1.Connect the connectors #2, and #3 to 2 sides of exhaust hose #1 to create an exhaust assembly.



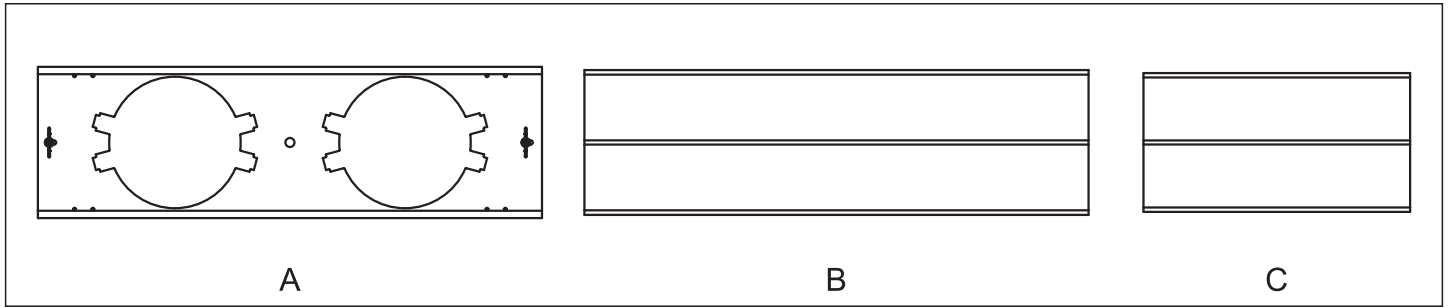
2. Sliding in one end of hose assembly (with hose connector #2) to rear panel.



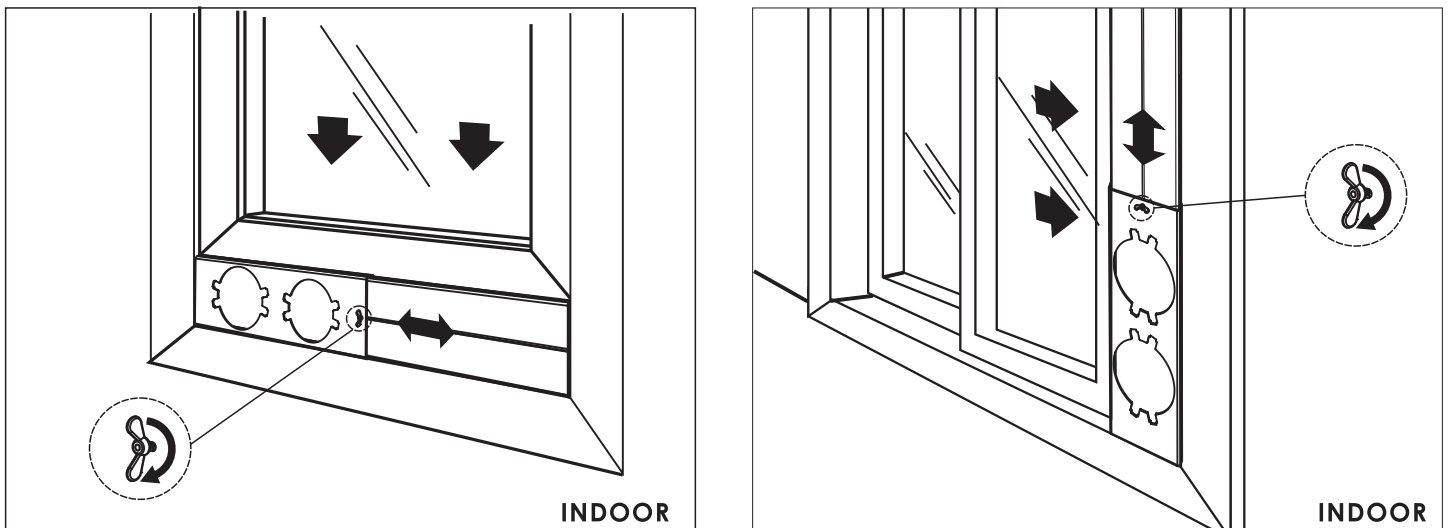
INSTALLATION INSTRUCTIONS

3. Insert the window panels B and C to each end of main panel A.

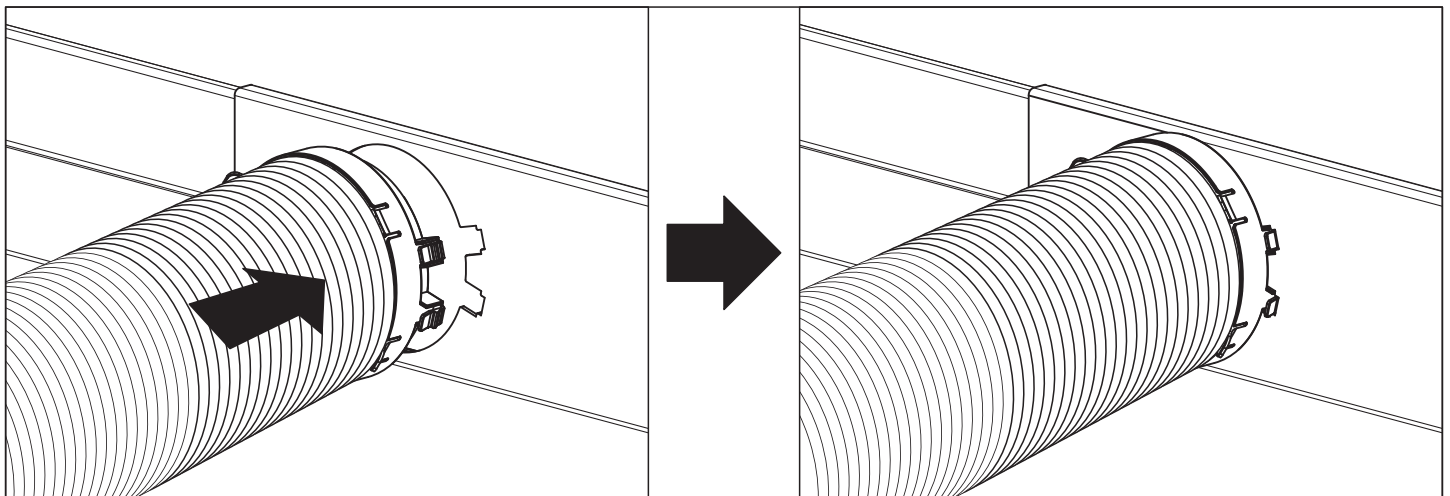
Adjusting to fix the length of window panels by using the screws and nuts mounted on the 2 ends of main panel A.



4. Open the window and place window panels into window. Adjust the extension panels to fit width or height of window by the screw and nut sets mounted on the main panel A.



5. Insert the other end of exhaust hose assembly (with hose connector #3) onto window bracket.



6. Repeat procedures 1-5 above for the installation of second hose assembly.

7. Plug the power cord into the wall outlet and press the "Reset" button.

8. Please allow 8" of space around the unit for proper air circulation.

9. When removing the portable air conditioner for storage, the window panel may be left in place. Simply place the cover (#5) over the hole on the window panel.

CONTINUOUS DRAINAGE

Built-in Drain Pump (ZHP14DA model only)

The condensate produced in heating mode can also be drained through the supplied drain hose utilizing the internal built-in drain pump. Follow the steps below for proper operation of the pump.
NOTE : The built in drain pump can be used in all modes.

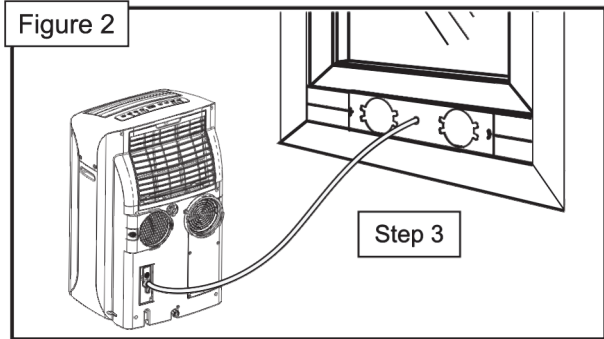
Installation: (See Figures 1&2)

STEP 1. Connect the supplied drain hose to the drain key.

STEP 2. Connect the drain key and hose to the drain outlet located on the rear panel.

STEP 3. Lead the other end of drain hose to a suitable location for drainage, like a drain or sink or the outlet located on the window panel kit. Use caution when using the drainage outlet on window panel kit to avoid creating a slipping hazard.

Figure 2



Dismantle: (See Figure 3)

STEP 1. Press the release button on the unit rear panel.

STEP 2. Pull out the drain key and hose.

STEP 3. Store the drain hose for next time usage.

(No image for this step)

Figure 3

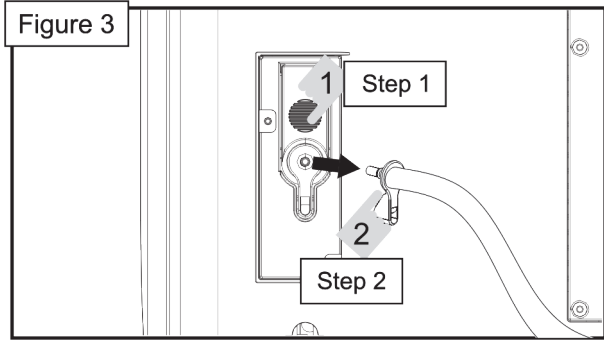
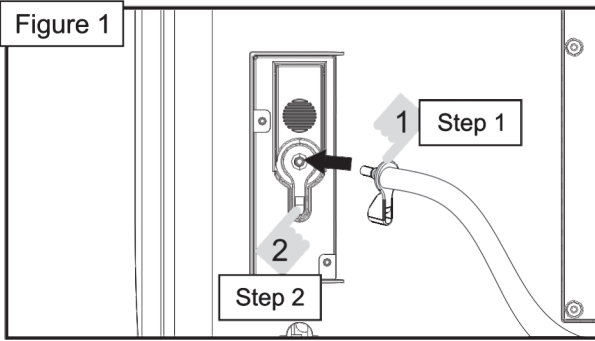


Figure 1



TROUBLESHOOTING

The following cases may not always be a malfunction, please check it before asking for service.

Trouble	Analysis
Does not run	<ul style="list-style-type: none"> ·If the protector trip or fuse is blown. ·Please wait for 3 minutes and start again, protector device may be preventing unit from working. ·If batteries in the remote control are used up. ·If the plug is not properly plugged.
Stops running during operation	<ul style="list-style-type: none"> ·If the set temperature is close to room temperature, you can lower the set temperature. ·Air outlet be blocked by obstacle. Take the obstacle away.
Runs but does not cool	<ul style="list-style-type: none"> ·If the door or window open. ·If there is other heater appliance work nearby, like heater or lamp, etc... ·The air filter is dirty, please clean it. ·Air outlet or intake be blocked. ·Set temperature is too high.
Does not run and water full indicator is lit	<ul style="list-style-type: none"> ·Drain the water into a prepared container by the drainage pipe on the rear panel of the unit. If it still doesn't work, please consult a qualified technician.
LED display "E1"	<ul style="list-style-type: none"> ·The temperature sensor error
LED display "E2"	<ul style="list-style-type: none"> ·The coil sensor error

INSTALLATION INSTRUCTIONS

Appliance maintenance

1 Cut off the power supply

Turn off the appliance first before disconnecting from power supply



2 Wipe with a soft dry cloth.

If unit is quite dirty use a mild detergent and damp cloth.



3 Never use volatile substance such as gasoline or polishing powder to clean the appliance.



4 Never sprinkle water onto the main unit.



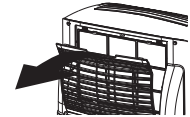
Dangerous!
Electric shock!

Air filter maintenance

It is necessary to clean the air filter after using it for about 100 hours. Clean it as follows:

1 Stop the appliance and remove the air filter.

Stop the appliance first, then pull back the air filter.



2 Clean and reinstall the air filter

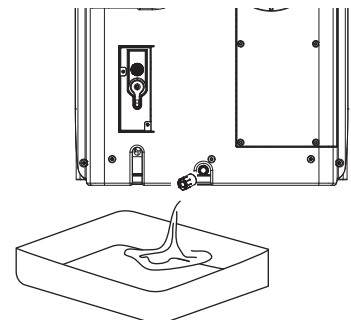
If the dirt is conspicuous, wash it with a solution of detergent in lukewarm water. After cleaning, dry it in a shaded and cool place, then reinstall it...



3 Clean the air filter every two weeks If the air conditioner operates in an extremely dusty environment.

Maintenance after using

- 1.If the appliance will not be used for a long time, be sure to pull out the rubber plug of the drain port underside, in order to drain the water.
- 2.Before storing away run the unit in fan mode only for few hours to dry any moisture on the coils to prevent mold.
- 3.Stop the appliance and pull out the power supply plug, then take out the batteries of remote controller and keep it in a safe place.
- 4.Clean the air filter and reinstall it.
- 5.Remove the air hoses and keep them in a safe place, and cover the hole tightly.



SPECIFICATIONS

- Figures noted, in the contents are for reference only; variation may result due to application in different countries or regions, and shall be based on the best of practical operation.

Description of product	Portable Air Conditioner	Heat Pump Portable Air Conditioner
Model	ZCP12DA	ZHP14DA
Voltage/Frequency	AC 115V ~ 60Hz	AC 115V ~ 60Hz
Current Consumption	9.8 A	11.4 A
Coolant	R-410A	R-410A
Timer	24 hour	24 hour
Dimensions (W) X(H)X (D)	447 x 747 x 405 mm	447 x 747 x 405 mm
Weight (N.W.)	30.6 kg	35 kg

Do not vent R-410A into atmosphere: R-410A is a fluorinated greenhouse gas, covered by Kyoto Protocol, with a Global Warming Potential (GWP) = 2088.

"Waste electrical products should not be disposed of with household waste. Please recycle where facilities exist. Check with your local authority or retailer for recycling advice."

