

Use & Care Guide
Manual de Uso y Cuidado
English/Español

Kenmore®

Liquid Propane Gas Grill

Parrilla a gas de propane liquido

Model/Modelo: 122.33492413-Stainless Steel/ Acero Inoxidable
Item/Artículo: 640-05861277-1-Stainless Steel/ Acero Inoxidable

P/N 19000617A2
Sears Brands Management Corporation
Hoffman Estates, IL 60179 U.S.A.
www.kenmore.com
www.sears.com
www.kmart.com



Table of Contents

Warranty-----	3
Safety Precautions-----	4
Hardware Contents-----	7
Package Parts List-----	8
Assembly Instructions-----	11
Lighting Instructions-----	30
Cooking Instruction-----	32
Cooking Chart-----	33
Cleaning and Maintenance-----	34
Troubleshooting-----	35
Parts Diagram -----	49
Parts List-----	50

⚠ CALIFORNIA RESIDENTS ONLY - WARNING:
This product and the fuels used to operate this product (liquid propane), and the products of combustion of such fuels, can expose you to chemicals including benzene, which is known to the State of California to cause cancer and reproductive harm. For more information go to www.P65Warnings.ca.gov.

- ⚠ WARNING**
1. Do not store or use gasoline or other flammable liquids or vapors in the vicinity of this or any other appliance.
 2. An LP cylinder not connected for use shall not be stored in the vicinity of this or any other appliance.

- ⚠ DANGER**
If you smell gas:
1. Shut off gas to the appliance.
 2. Extinguish any open flame.
 3. Open lid.
 4. If odor continues, keep away from the appliance and immediately call your gas supplier or your fire department.

Installer please leave the instruction with the consumer;
Please retain the instruction manual for future reference.

Repair Protection Agreements

Congratulations on making a smart purchase. Your new Kenmore® product is designed and manufactured for years of dependable operation. But like all products, it may require repair from time to time. That's when having a Repair Protection Agreement can save you money and aggravation.

Here's what the Repair Protection Agreement* includes:

- ✓ **Product replacement** up to \$1500 if your covered product can't be fixed.
- ✓ **Expert service** by experienced service technicians trusted in millions of homes every year.
- ✓ **Unlimited service and no charge** for parts and labor on all covered repairs.
- ✓ **Discount of 25%** from regular price of service and related installed parts not covered by the agreement.
- ✓ **Fast help by phone** – phone support from a service agent on all products to help troubleshoot problems. Think of us as a “talking owner’s manual.”

Once you purchase the Repair Protection Agreement, a simple phone call is all that it takes for you to schedule service. You can call anytime day or night.

The Repair Protection Agreement is a risk-free purchase. If you cancel for any reason during the product warranty period, we will provide a full refund. Or, a prorated refund anytime after the product warranty period expires. Purchase your Repair Protection Agreement today!

Some limitations and exclusions apply. For prices and additional information call 1-800-827-6655.

Sears Installation Service

For Sears professional installation of home appliances, garage door openers, water heaters, and other major home items, call **1-844-553-6667**.

KENMORE LIMITED WARRANTY

WITH PROOF OF SALE, the following warranty coverage applies when this appliance is correctly installed, operated and maintained according to all supplied instructions.

FOR ONE YEAR from the date of sale this appliance is warranted against defects in material or workmanship. A defective appliance will receive free repair or replacement at option of seller.

FOR TEN YEARS from the date of sale, any stainless steel burner that rusts through or burns through will be replaced free of charge. If rust through or burn through occurs within the first year, a new burner will be installed at no charge. If rust through or burn through occurs after the first year, a new burner will be supplied but not installed at no charge. You are responsible for the labor cost of burner installation after the first year from the date of sale.

For warranty coverage details to obtain free repair or replacement, visit the web page:
www.kenmore.com/warranty

All warranty coverage excludes ignitor batteries and grill part paint loss, discoloration or surface rusting, which are either expendable parts that can wear out from normal use within the warranty period, or are conditions that can be the result of normal use, accident or improper maintenance.

All warranty coverage is void if this appliance is ever used for other than private household purposes.

This warranty covers ONLY defects in material and workmanship, and will NOT pay for:

1. Expendable items that can wear out from normal use within the warranty period, including but not limited to batteries, screw-in base light bulbs and surface coatings or finishes.
2. A service technician to clean or maintain this appliance, or to instruct the user in correct appliance installation, operation and maintenance.
3. Service calls to correct appliance installation not performed by Sears authorized service agents, or to repair problems with house fuses, circuit breakers, house wiring, and plumbing or gas supply systems resulting from such installation.
4. Damage to or failure of this appliance resulting from installation not performed by Sears authorized service agents, including installation that was not in accord with electrical, gas or plumbing codes.
5. Damage to or failure of this appliance, including discoloration or surface rust, if it is not correctly operated and maintained according to all supplied instructions.
6. Damage to or failure of this appliance, including discoloration or surface rust, resulting from accident, alteration, abuse, misuse or use for other than its intended purpose.
7. Damage to or failure of this appliance, including discoloration or surface rust, caused by the use of detergents, cleaners, chemicals or utensils other than those recommended in all instructions supplied with the product.
8. Damage to or failure of this appliance resulting from natural or other catastrophe, such as flood, fire or storm.
9. Damage to or failure of parts or systems resulting from unauthorized modifications made to this appliance.
10. Service to an appliance if the model and serial plate is missing, altered, or cannot easily be determined to have the appropriate certification logo.

Disclaimer of implied warranties; limitation of remedies

Customer's sole and exclusive remedy under this limited warranty shall be product repair or replacement as provided herein. Implied warranties, including warranties of merchantability or fitness for a particular purpose, are limited to one year on the appliance and ten years on the burners, or the shortest period allowed by law. Seller shall not be liable for incidental or consequential damages. Some states and provinces do not allow the exclusion or limitation of incidental or consequential damages, or limitation on the duration of implied warranties of merchantability or fitness, so these exclusions or limitations may not apply to you.

This warranty applies only while this appliance is used in the United States.

This warranty gives you specific legal rights, and you may also have other rights which vary from state to state.

Precautions

WARNING

Failure to comply with these instructions could result in a fire or explosion that could cause serious bodily injury, death, or property damage.

WARNING

Your grill will get very hot. Never lean over the cooking area while using your grill. Do not touch cooking surfaces, grill housing, lid or any other grill parts while the grill is in operation, or until the gas grill has cooled down after use.

Failure to comply with these instructions may result in serious bodily injury.

Grill Installation Codes

The installation must conform with local codes or, in the absence of local codes, with either the national fuel gas code, ANSI Z 223.1/NFPA 54, Natural gas and propane installation code, CSA B149.1, or propane storage and handling code, B149.2, or the standard for Recreational vehicles, ANSI A 119.2, and CSA Z240 RV series recreational vehicle code, as applicable.

LP gas grill models are designed for use with a standard 20 lb. Liquid Propane Gas tank, not included with grill. Never connect your gas grill to an LP gas tank that exceeds this capacity.

A tank of approximately 12 inches in diameter by 18-1/2 inches high is the maximum size LP gas tank to use.

You must use an OPD gas tank which offers an Overfill Prevention Device.

This safety feature prevents the tank from being overfilled which can cause malfunction of the LP gas tank, pressure regulator and/or grill.

The LP gas tank must be constructed and marked in accordance with specifications of the U.S. Dept. of Transportation (DOT). In Canada, the LP gas tank must meet the National Standard of Canada, CAN/CSA-B339, Cylinders, spheres and Tubes for Transportation of Dangerous Goods and Commission.

1. The LP gas tank must have a shutoff valve, terminating in an LP gas supply tank valve outlet, that is compatible with a Type 1 tank connection device. The LP gas tank must also have a safety relief device that has a direct connection with the vapor space of the tank.
2. The tank supply system must be arranged for vapor withdraw.
3. The LP gas tank used must have a collar to protect the tank valve.

Proper Placement and Clearance of Grill

Never use your gas grill in a garage, porch, shed, breezeway or any other enclosed area. Your gas grill is to be used **outdoors only**, at least 36 inches from the back and side of any combustible surface. Your gas grill should not be used under overhead combustible construction. Do not obstruct the flow of ventilation air around the gas grill housing.

- Do not install this outdoor gas grill in or on recreational vehicles or boats
- Keep outdoor gas grill area clear and free from combustible materials, gasoline and other flammable vapors and liquids
- Do not obstruct the flow of combustion and ventilation air. Check for this each time prior to using grill.
- **Never** connect an unregulated LP gas tank to your gas grill. The gas pressure regulator assembly supplied with your gas grill is adjusted to have an outlet pressure of 11" water column (W.C.) for connection to an LP gas tank.
- Only use the pressure regulator and the hose assembly supplied with your gas grill. Replacement pressure regulators and hose assemblies must be those specified in this manual.

- Have your LP gas tank filled by a reputable propane gas dealer and visually inspected and re-qualified at each filling.
- Do not store a spare LP gas tank under or near this appliance.
- Never fill the tank beyond 80 percent full . If this information is not followed exactly a fire causing death or serious injury may occur.
- Always keep LP gas tanks in an upright position.
- Do not store or use gasoline or other flammable vapors and liquids in the vicinity of this gas grill.
- Do not subject the LP gas tank to excessive heat.
- Never store an LP gas tank indoors. If you store your gas grill in the garage or other indoor location, **always** disconnect the LP gas tank first and store it safely outside.



Always keep the LP cylinder at 90° (upright) orientation to provide vapor withdraw.

- Place dust cap on cylinder valve outlet whenever the cylinder is not in use. Only install the type of dust cap on the cylinder valve outlet that is provided with the cylinder valve. Other types of caps or plugs may result in leakage of propane.
- LP gas tanks must be stored outdoors in a well-ventilated area and out of reach of children. Disconnected LP gas tanks must not be stored in a building, garage or any other enclosed area.
- When your gas grill is not in use the gas must be turned off at the LP gas tank.
- The pressure regulator and hose assembly must be inspected before each use of the grill. If there is excessive abrasion or wear or if the hose is cut, it must be replaced prior to the grill being used again.
- Keep the gas pressure regulator hose away from hot grill surfaces and dripping grease. Avoid unnecessary twisting of hose. Visually inspect the hose prior to each use for cuts, cracks, excessive wear or other damage. If the hose appears damaged do not use the gas grill. Call **1-844-553-6667** for a replacement hose.
- **Never** light your gas grill with the lid closed or before checking to ensure the burner tubes are fully seated over the gas valve orifices.
- **Never** allow children to operate your grill.



WARNING

A strong gas smell, or the hissing sound of gas indicates a serious problem with your gas grill or the LP gas tank. Failure to immediately follow the steps listed below could result in a fire or explosion that could cause serious bodily injury, death, or property damage.

- Shut off gas supply to the gas grill.
- Turn the control knobs to OFF position.
- Put out any flame with a proper fire extinguisher.
- Open Grill Lid.
- Get away from the LP gas tank.
- Do not try to fix the problem yourself.
- If odor continues or you have a fire you can not extinguish, call your fire department. Do not call near the LP gas tank because your telephone is a form of electrical device and could create a spark resulting in fire and/or explosion.

NOTE: The normal flow of gas through the pressure regulator and hose assembly can create a humming noise. A low volume of noise is perfectly normal and will not interfere with operation of the grill. If humming noise is loud and excessive you may need to purge air from the gas line or reset the pressure regulator excess gas flow device. This purging procedure should be done every time a new LP gas tank is connected to your grill. For help with this procedure refer to page 31, Item 4 of "If Grill Still Fails To Light".

CAUTION: Beware of Flash-Back

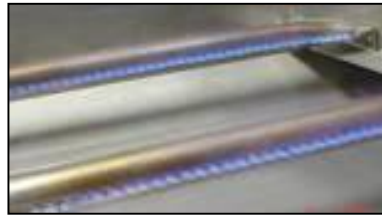
CAUTION: Spiders and small insects occasionally spin webs or make nests in the grill burner tubes during transit and warehousing. These webs can lead to gas flow obstruction which could result in a fire in and around burner tubes. This type of fire is known as "FLASH-BACK" and can cause serious damage to your grill and create an unsafe operating condition for the user.

Although an obstructed burner tube is not the only cause of "FLASH-BACK", it is the most common cause.

To reduce the chance of "FLASH-BACK", you must clean the burner tubes before assembling your grill, and at least once a month in late summer or early fall when spiders are most active. Also perform this burner tube cleaning procedure if your grill has not been used for an extended period of time.

See Cleaning Burner Tubes and Ports on page # 36.

Burner Flame Check



Visually check the burner flames prior to each use. The flames should look like picture, if they do not, refer to the cleaning burner tubes and ports, see page 36 of this manual.

Checking for LP gas leaks

Never test for leaks with a flame. Prior to first use, at the beginning of each season, or every time your LP gas tank is changed, you must check for gas leaks.

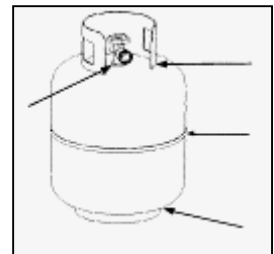
1. Make a 50/50 (soap/water) mild soap solution.
2. Turn the control knobs to full OFF position; then turn gas ON at supply tank.
3. Apply the soap solution with a clean brush to all gas connections. See below. If growing bubbles appear in the solution the connections are not properly sealed. Check each fitting and tighten or repair as necessary.

Gas Connection Leak Check

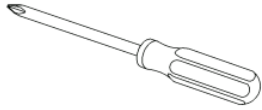


4. If you have a gas connection leak you cannot repair, turn gas OFF at supply tank, disconnect fuel line from your grill and call **1-844-553-6667** or your gas supplier for repair assistance.
5. Also apply soapy solution to the tank seams. See below. If growing bubbles appear, shut tank OFF and do not use or move it! Contact an LP gas supplier or your fire department for assistance.

Gas Tank Leak Check



Tools Needed / Herramientas necesarias



Some parts come with Screws pre-installed.
Loosen and tighten for final assembly.



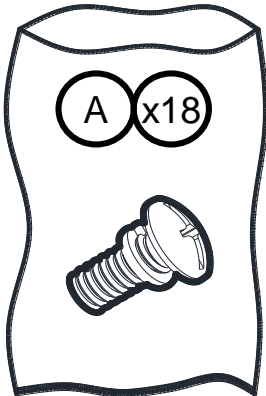
Algunas partes vienen con los tornillos pre instalados.
Afloje y apriete para el ensamble final.

Hardware package list/ Lista de tornillos del paquete

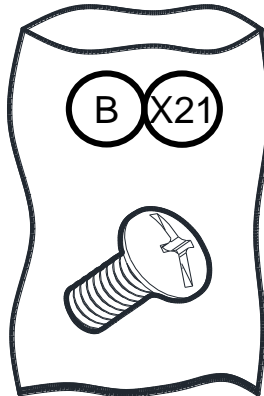
Truss head screw
with locking washer
1/4-20x 5/8 "
Tornillo de cabeza ovalada
1/4-20x 5/8 "

Truss Head Screw
1/4-20x 5/8 "
Tornillos de cabeza reforzada con
la arandela 1/4-20x 5/8 "

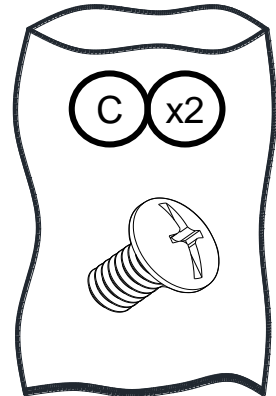
Truss Head Screw
1/4-20x 5/16 "
Tornillos de cabeza
reforzada con la arandela
1/4-20x 5/16 "



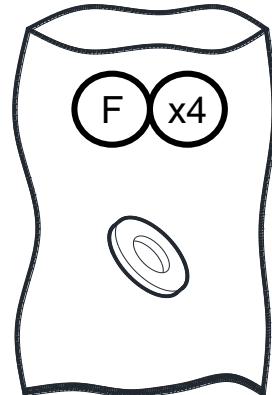
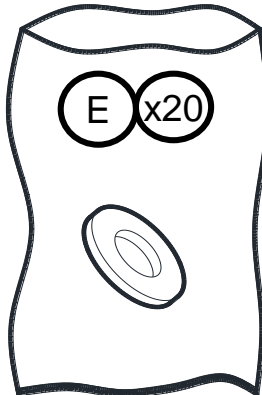
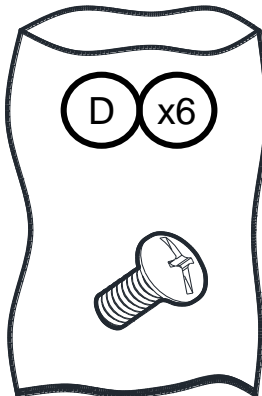
Flat Head Screw
5/32-32 x 3/8 "
Tornillo de cabeza plana 5/32-
32 x 3/8 "



Flat Washer 1/4"
Arandela plana 1/4"



Flat Washer 5/32"
Arandela plana 5/32"



Package parts List
Lista de contenido del paquete

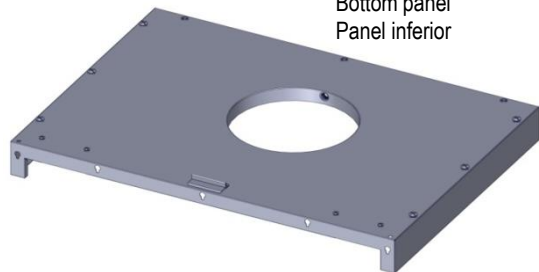
1

Tank Bolt
Tornillo para la bandeja del
tanque



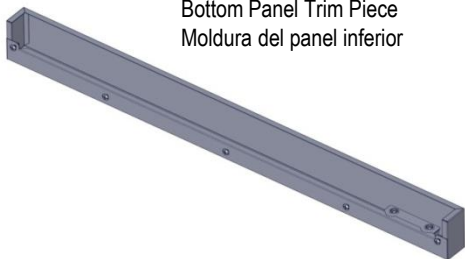
2

Bottom panel
Panel inferior



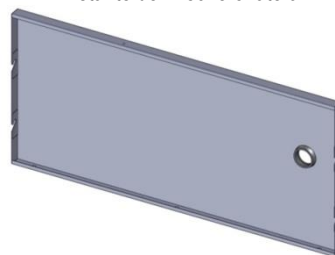
3

Bottom Panel Trim Piece
Moldura del panel inferior



4

Back Panel
Estante del mechero lateral



5

Side Panel, left
Panel lateral izquierdo



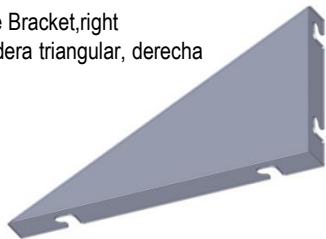
6

Side Panel, right
Panel lateral derecho



7

Triangle Bracket, right
Abrazadera triangular, derecha



8

Triangle Bracket, left
Abrazador triangular, izquierda



9

Cart Beam
Armazón del carro



10 x2

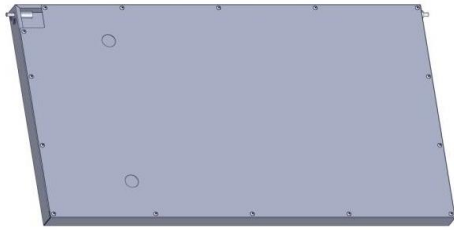
Door Handle
Mango de la puerta



Package parts List
Lista de contenido del paquete

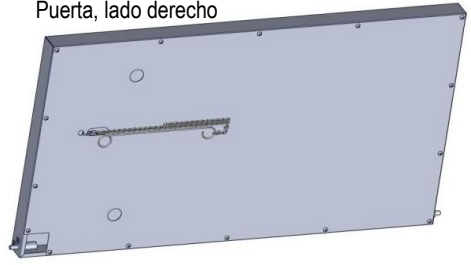
11

Door, left
Puerta, lado izquierdo



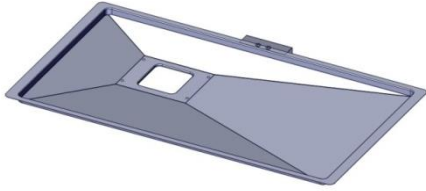
12

Door, right
Puerta, lado derecho



13

Grease Tray
Bandeja para grasa



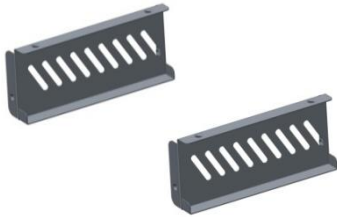
14

Grease cup baffle
Listón de barrera diagonal



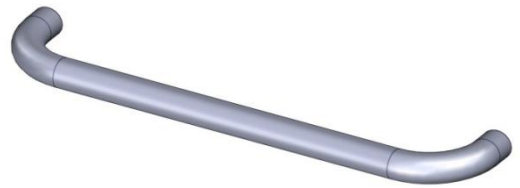
15 x2

Grease tray bracket
Recipiente para grasa abrazadera-



16

Main lid handle
Mango de la tapa principal



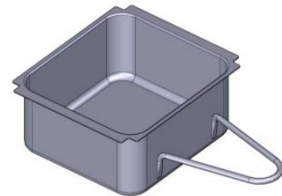
17 x2

Handle bezel
Asiento del mango



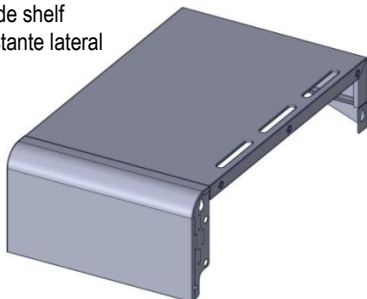
18

Grease cup
Recipiente para grasa



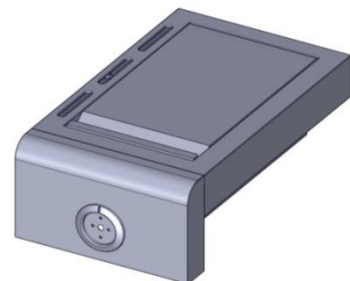
19

Side shelf
Estante lateral



20

Sear burner with side shelf front panel
Mechero de marcado con estante lateral del panel delantero



Package parts List Lista de contenido del paquete

21



Grill Head
Cabezal de la parrilla

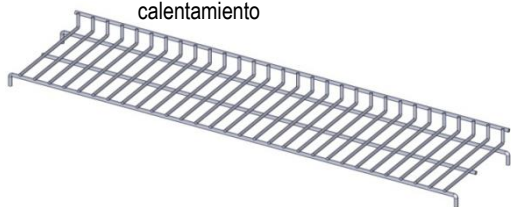
22

Control Knob
Perilla de control



23

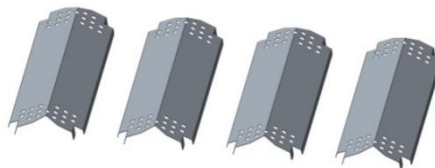
Warming Rack
Rejilla de calentamiento



24

x4

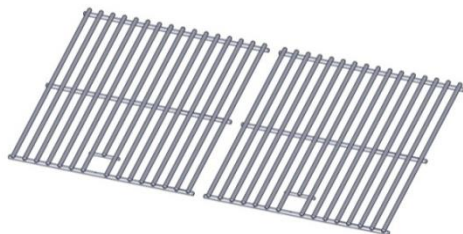
Flame Tamer
Domador de llamas



25

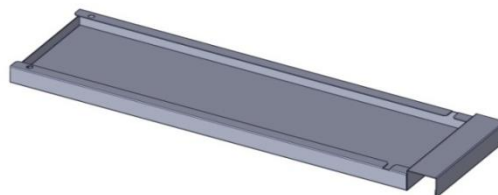
x2

Cooking Grids
Rejilla de cocción con agujero



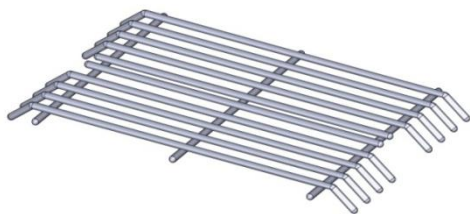
26

Sear Burner Grease Tray
Bandeja para grasa del mechero de marcado



27

Sear Burner Cooking Grid
Parrilla del mechero de marcado



28

Battery
Batería



Stationary casters with brake
Rueda estacionario

Stationary Casters
Rueda estacionario con freno

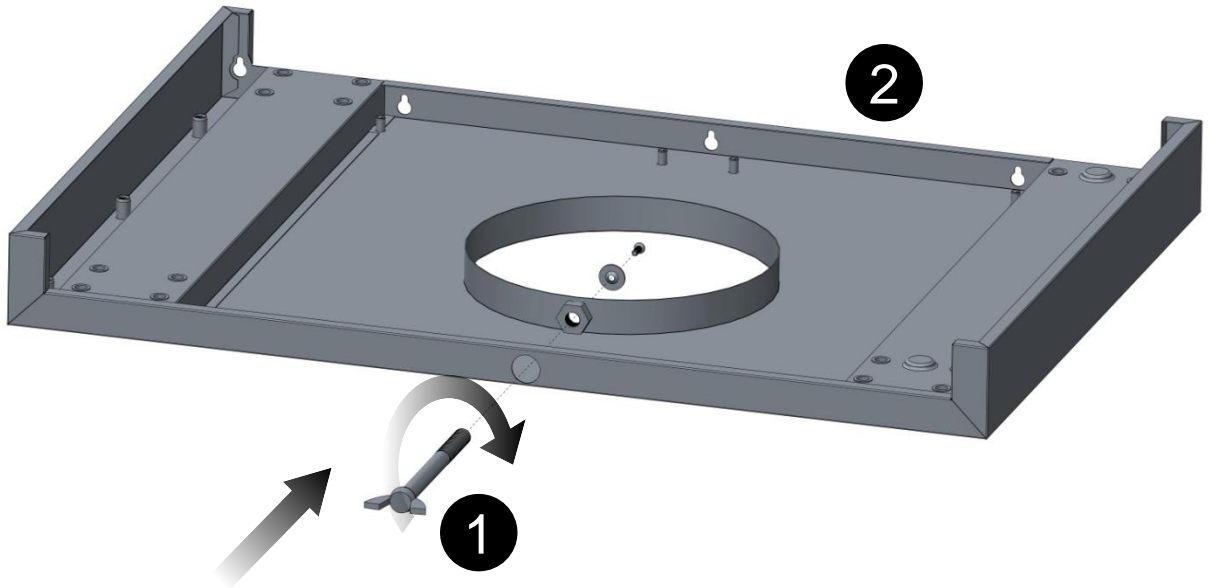


If you are missing hardware or have damaged parts after unpacking grill, call 1-800-913-8999 for replacement. To order replacement parts after using grill, call 1-844-553-6667.

Si le falta hardware o ha dañado partes después de desembalar la parrilla, llame al 1-800-913-8999 para repuesto. Para ordenar partes de repuesto después de usar la parrilla, llame al 1-844-553-6667.

1

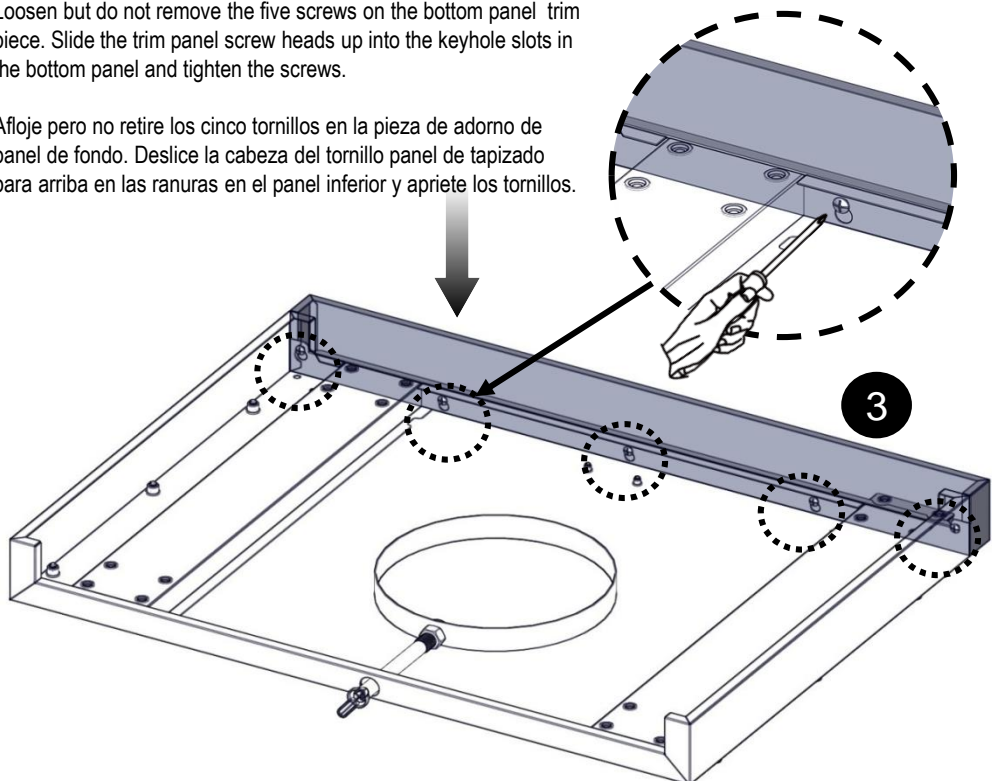
Screw the tank bolt to bottom panel by turning to the right.
Atornillar el tornillo del tanque al panel inferior girando a la derecha.



2

Loosen but do not remove the five screws on the bottom panel trim piece. Slide the trim panel screw heads up into the keyhole slots in the bottom panel and tighten the screws.

Afloje pero no retire los cinco tornillos en la pieza de adorno de panel de fondo. Deslice la cabeza del tornillo panel de tapizado para arriba en las ranuras en el panel inferior y apriete los tornillos.



3

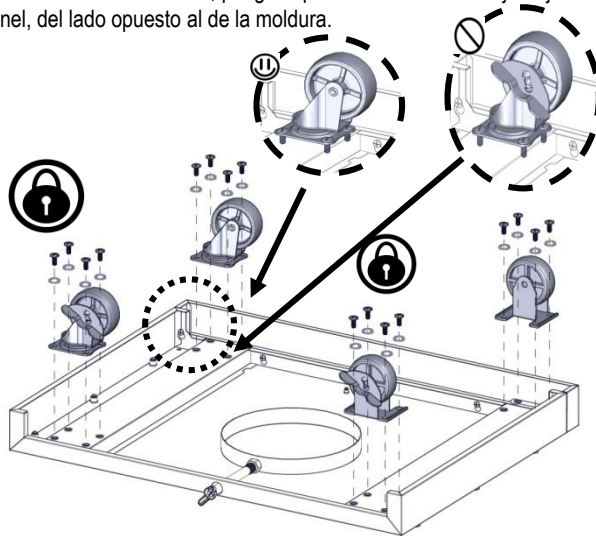
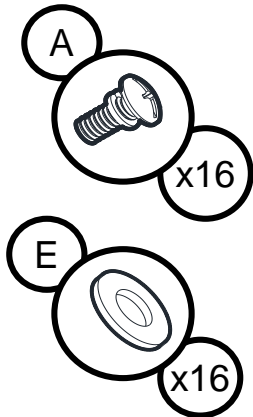


Attach each of the four casters to bottom panel using (4) 1/2-20x5/8" screws with locking washers (A) and (4) 1/4" flat washers (E).

Hint: For ease of caster assembly, turn bottom panel upside down. Attach the two casters with brakes to the rear side of the panel, opposite to the panel trim piece.

Coloque cada una de las cuatro ruedas al panel inferior con tornillos de 1/2-20 x 5/8"(4) con la fijación de las arandelas (A) y (4) 1/4 plana (E).

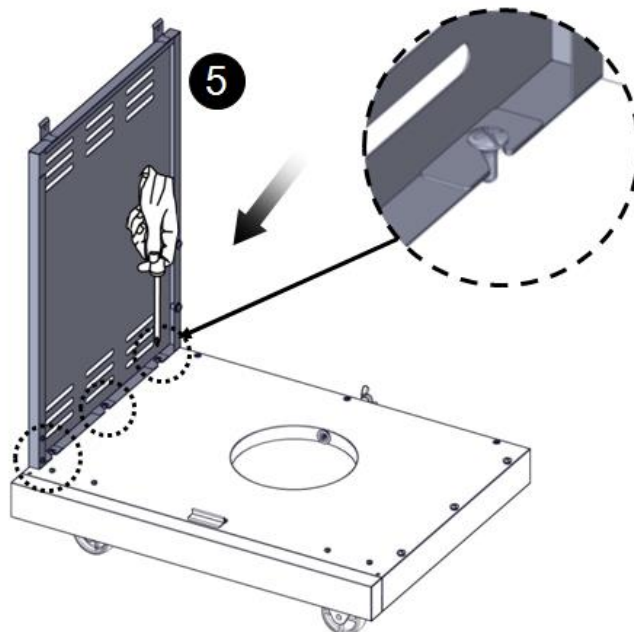
Sugerencia: Para facilitar el ensamble de las ruedas, ponga el panel inferior boca abajo. Fije las dos ruedas con frenos al lado trasero del panel, del lado opuesto al de la moldura.



4

Loosen but do not remove the three screws that are pre-assembled on left side bottom panel. Slide slots in bottom of left side panel beneath the protruding screw heads of bottom panel as shown below, and then tighten screws.

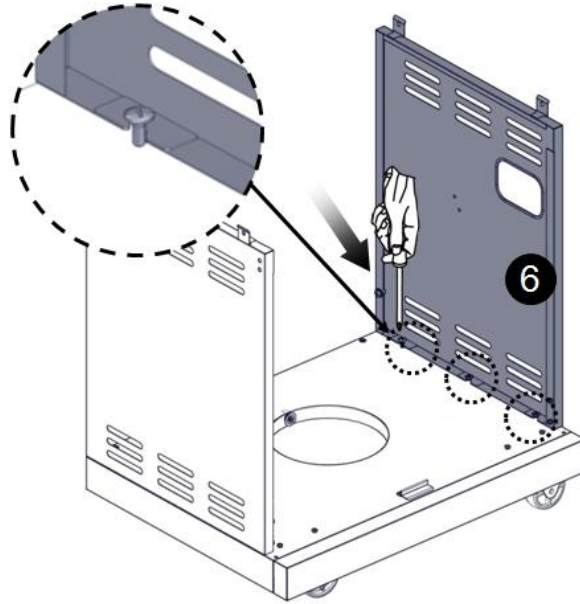
Afloje pero no retire los tres tornillos que están premontados en el lado izquierdo del panel inferior. Deslice las ranuras de la parte inferior del panel de la izquierda debajo de la cabeza del tornillo que sobresale del panel inferior como se muestra abajo y luego apriete los tornillos.



5

Loosen but do not remove the three screws that are pre-assembled on right side bottom panel. Slide slots in bottom of right side panel beneath the protruding screw heads of bottom panel as shown below, and then tighten screws.

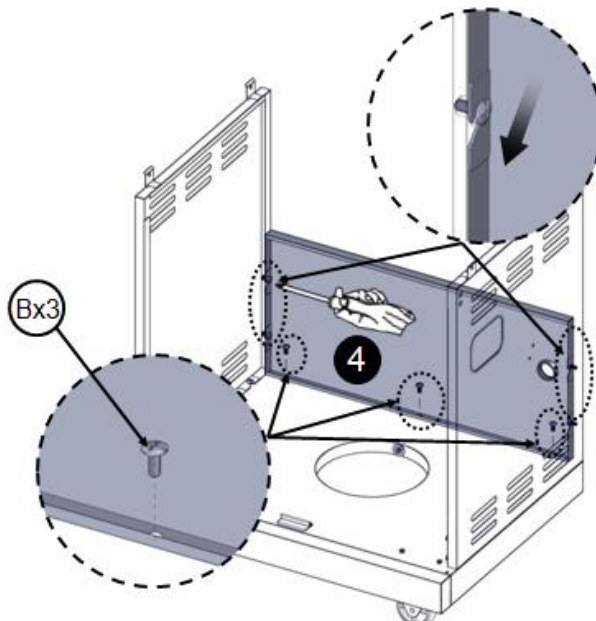
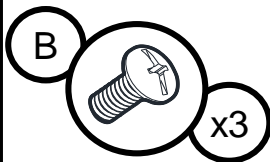
Afloje pero no retire los tres tornillos que están premontados en el panel inferior del lado derecho. Deslice las ranuras de la parte inferior del panel del lado derecho debajo de la cabeza del tornillo que sobresale del panel inferior como se muestra abajo y luego apriete los tornillos.



6

Attach back panel bottom edge to bottom panel using three Truss Head Screws 1/4-20x5/8" (B). Loosen the two pre-assembled screws on each side panel. Slide the two slots on each side edge of back panel beneath the protruding side panel screw heads as shown below, and then tighten the screws.

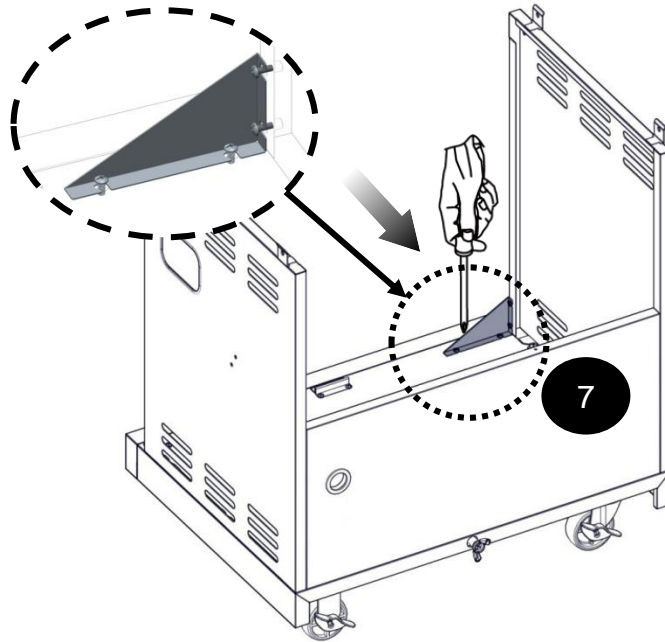
Fije el borde inferior de la trasera al panel inferior utilizando tres tornillos de cabeza segmental 1/4 x 20 x 5/8" (B). Afloje los dos tornillos preensamblados en cada panel lateral. Deslice los dos ranuras en cada borde lateral de panel debajo de la cabeza del tornillo que sobresale lado panel posterior como se muestra abajo y luego apriete los tornillos.



7

Loosen but do not remove the four screws on the left side panel and bottom panel. Slide the four slots in the bracket under the four screw heads and tighten the screws.

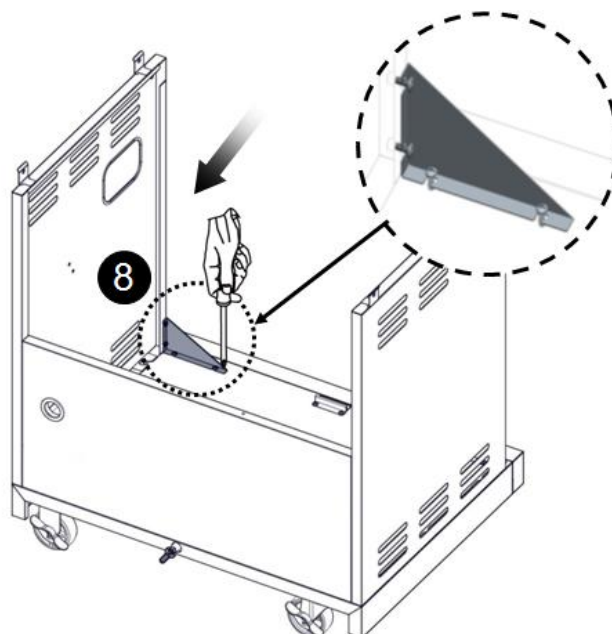
Afloje sin retirar los cuatro tornillos del panel izquierdo y del inferior. Deslice las cuatro ranuras en la abrazadera abajo de la cabeza de los cuatro tornillos y apriete los tornillos.



8

Loosen but do not remove the four screws on the right side panel and bottom panel. Slide the four slots in the bracket under the four screw heads and tighten the screws.

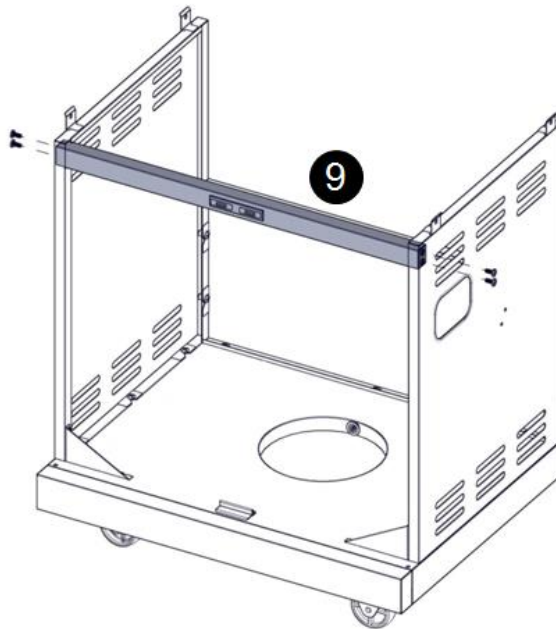
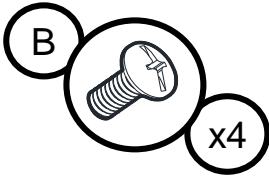
Afloje sin retirar los cuatro tornillos del panel derecho y del inferior. Deslice las cuatro ranuras en la abrazadera abajo de la cabeza de los cuatro tornillos y apriete los tornillos.



9

Use four Truss Head Screws 1/4-20x 5/8 " (B) to attach the cart beam to the right and left side panels.

Utilice cuatro tornillos (B) de Truss Head Screw 1/4-20x 5/8 " para conectar el bastidor del carro a los paneles laterales derecho e izquierdo.

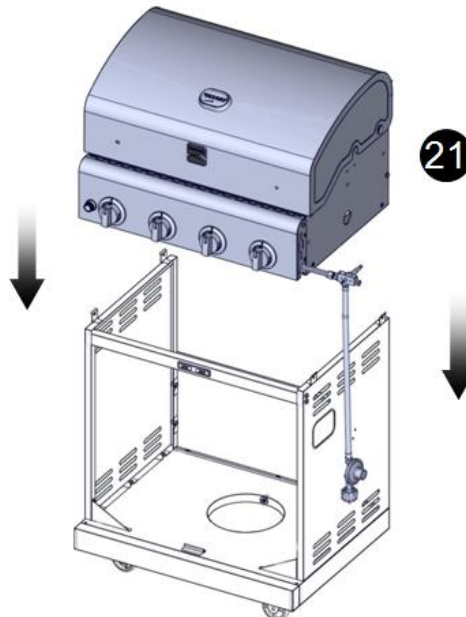


10



With the aid of an assistant, carefully place the grill head onto the grill cart.

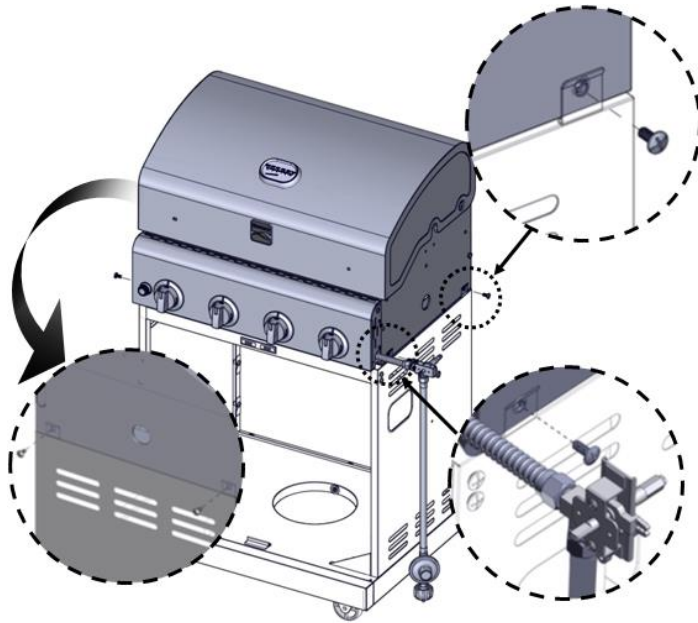
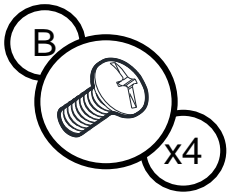
Con la ayuda de un asistente coloque cuidadosamente el cabezal en el carro del asador.



11

Attach grill head to left and right side panels using two Truss Head Screws 1/4-20x 5/8 " (B) for each side.

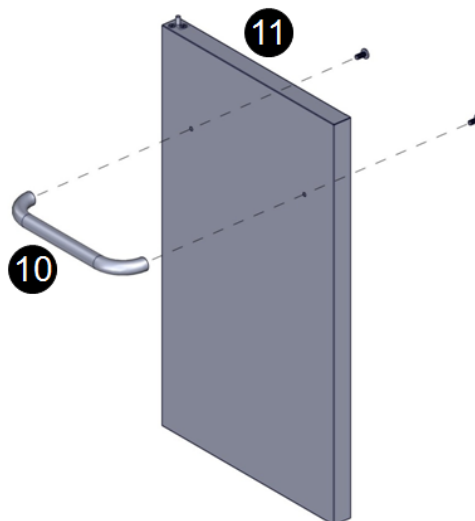
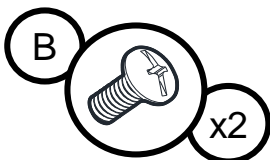
Fije el cabezal en los paneles izquierdo y derecho con dos tornillos de Truss Head Screw 1/4-20x 5/8 " (B) en cada lado



12

Attach a door handle to left door using two Truss Head Screws 1/4-20x 5/8 " (B). Be careful not to drop screws into door interior when attaching handles.

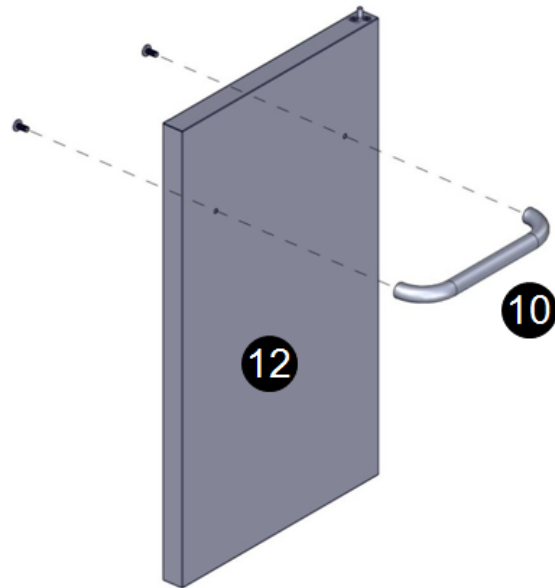
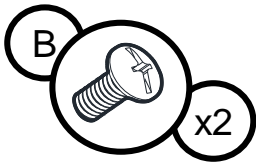
Fije la manija de una puerta a cada puerta usando dos tornillos 1/4-20 x 5/8"(B). Tenga cuidado de no soltar tornillos en el interior de la puerta cuando maneja.



13

Attach a door handle to right door using two Truss Head Screws 1/4-20x 5/8 " (B). Be careful not to drop screws into door interior when attaching handles.

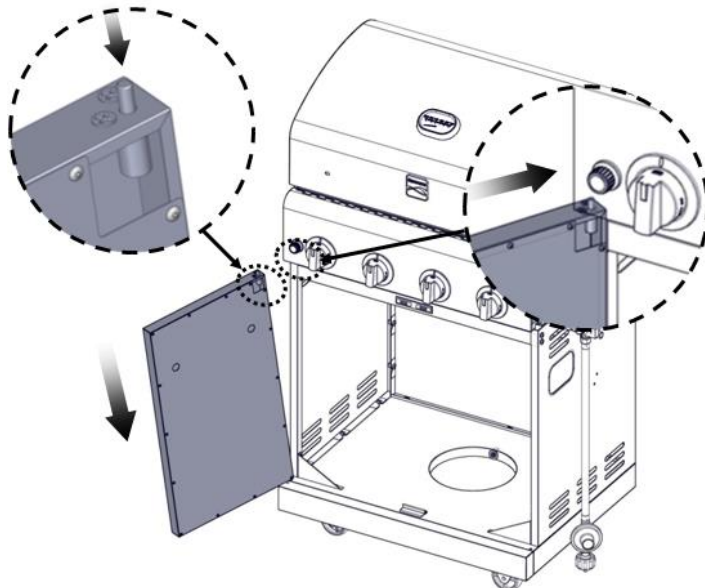
Fije la manija de una puerta a cada puerta usando dos tornillos 1/4-20 x 5/8"(B). Tenga cuidado de no soltar tornillos en el interior de la puerta cuando maneja.



14

Insert the bottom hinge pin of left door into the hole in the bottom panel. Then push down the spring-loaded top hinge pin and allow it to spring back up into the hole under the control panel.

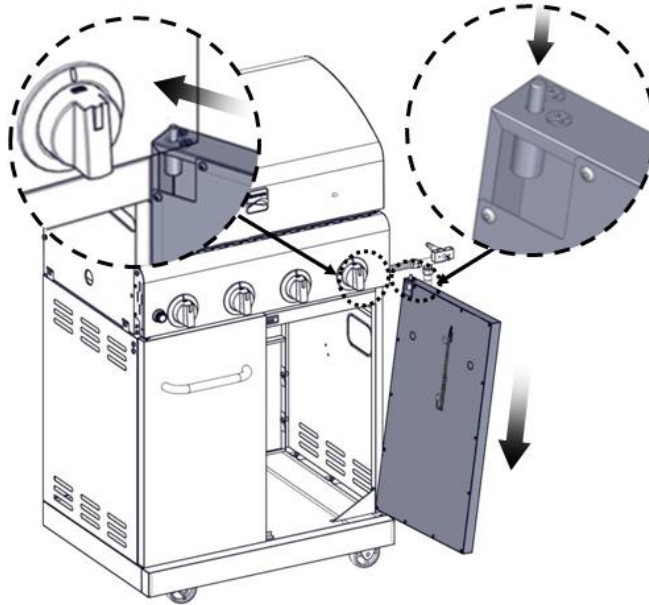
Inserte el pasador de la bisagra inferior de la puerta izquierda en el agujero del panel inferior. Después empuje hacia abajo el pasador de la bisagra con resorte y permita que brinque hacia arriba en el agujero abajo del panel de control.



15

Insert the bottom hinge pin of right door into the hole in the bottom panel. Then push down the spring-loaded top hinge pin and allow it to spring back up into the hole under the control panel.

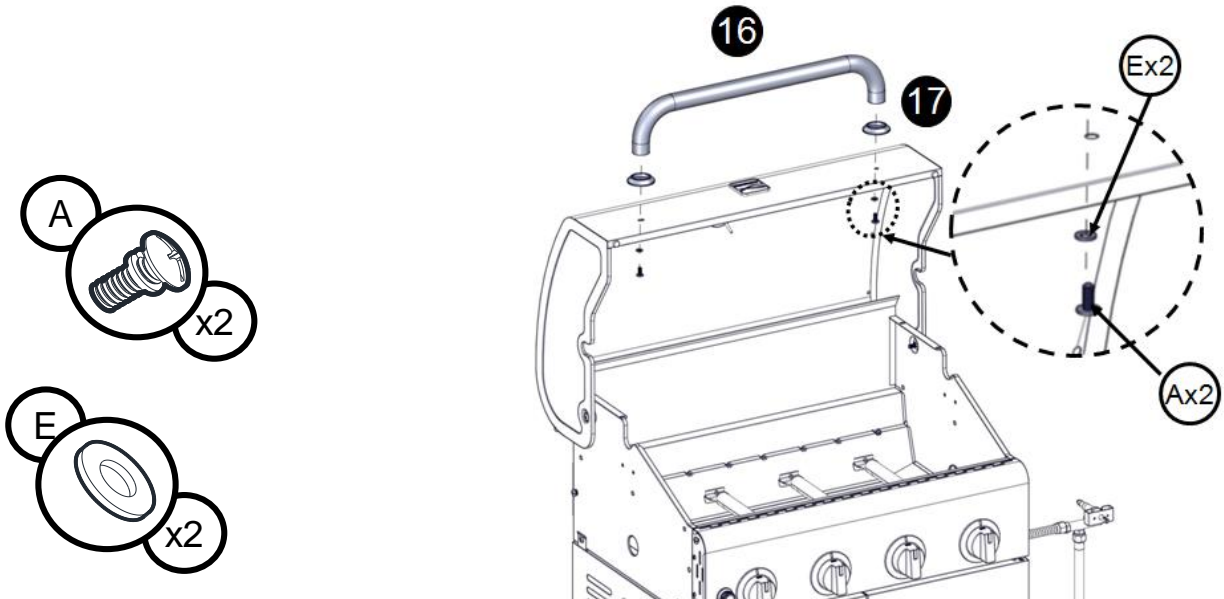
Inserte el pasador de la bisagra inferior de la puerta derecha en el agujero del panel inferior. Después empuje hacia abajo el pasador de la bisagra con resorte y permita que brinque hacia arriba en el agujero abajo del panel de control.



16

From underside of grill lid, insert two truss head screws with locking washer 1/4-20x 5/8 " (A) and 1/4" flat washers (E) through lid and handle bezels into handle ends. Tighten screws to secure handle to lid.

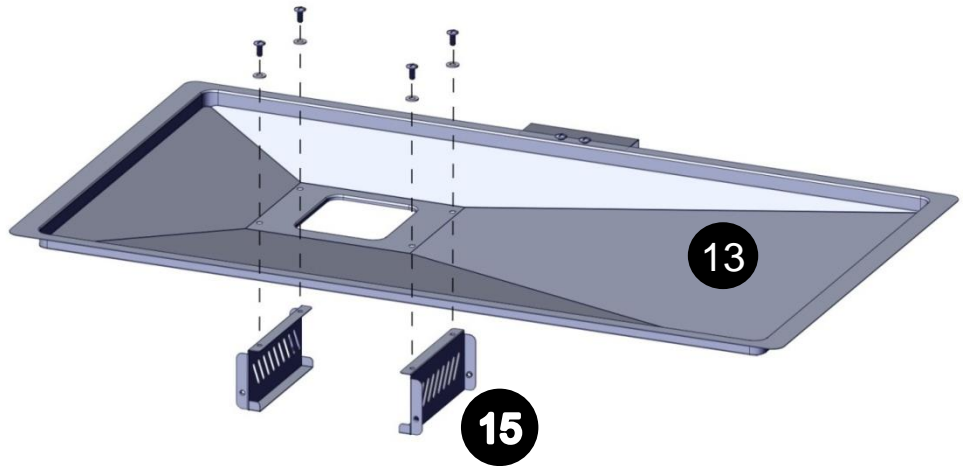
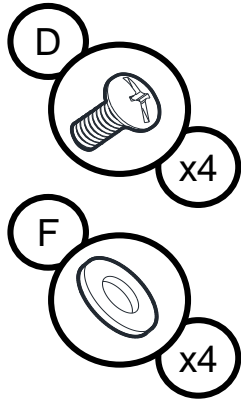
Por abajo de la tapa del asador, inserte dos tornillos Truss head screw with locking washer 1/4-20x 5/8 " (A) con arandelas planas de 1/4" (E) a través de la tapa y los biseles del mango en los extremos del mango. Apriete los tornillos para fijar el mango en la tapa.



17

Attach the grease cup brackets to the grease tray by using four flat head screws 5/32-32 x 3/8 " (D) and four 5/32" flat washers (F).

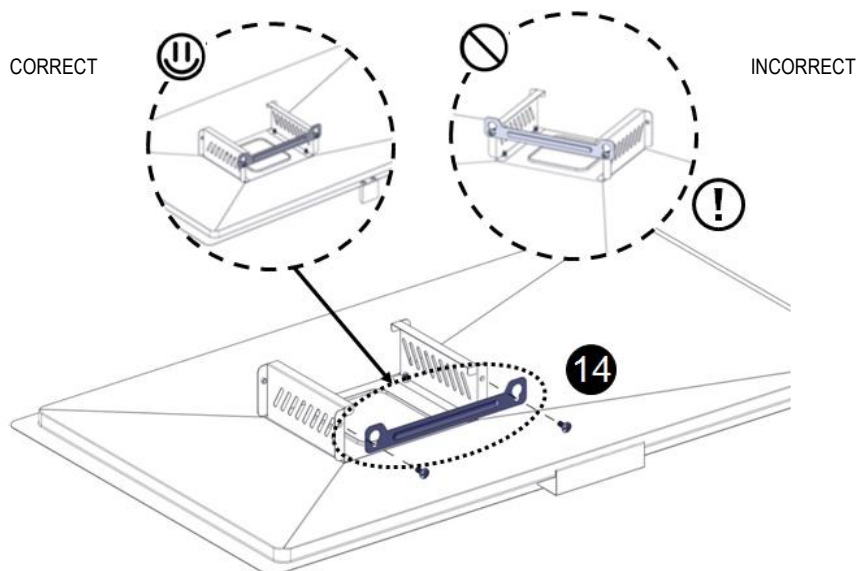
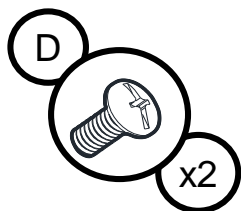
Sujete las abrazaderas del recipiente para grasa con cuatro tornillos (D) de Tornillo de cabeza plana 5/32-32 x 3/8 " y cuatro arandelas planas (F) de 5/32".



18

Use two flat head screws 5/32-32 x 3/8 " (D) to attach the grease cup baffle to the back of the grease cup brackets as shown. The baffle prevents pushing the grease cup too far into the bracket.

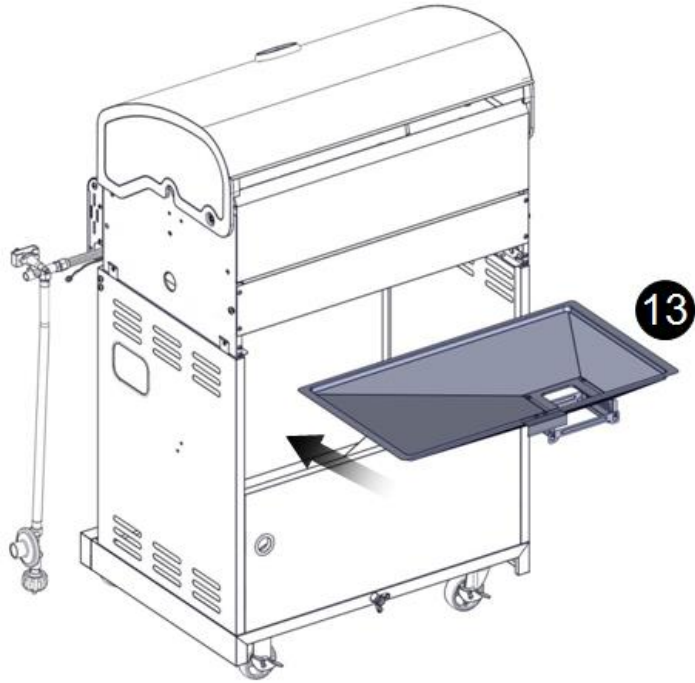
Use dos tornillos tornillo de cabeza plana 5/32-32 x 3/8 " para fijar la compuerta del recipiente para grasa a la parte posterior de la abrazadera de la compuerta del recipiente para grasa como se muestra. La compuerta evita que se presione el recipiente para grasa demasiado dentro de la abrazadera.



19

Insert the grease tray from the back of the grill as shown below.

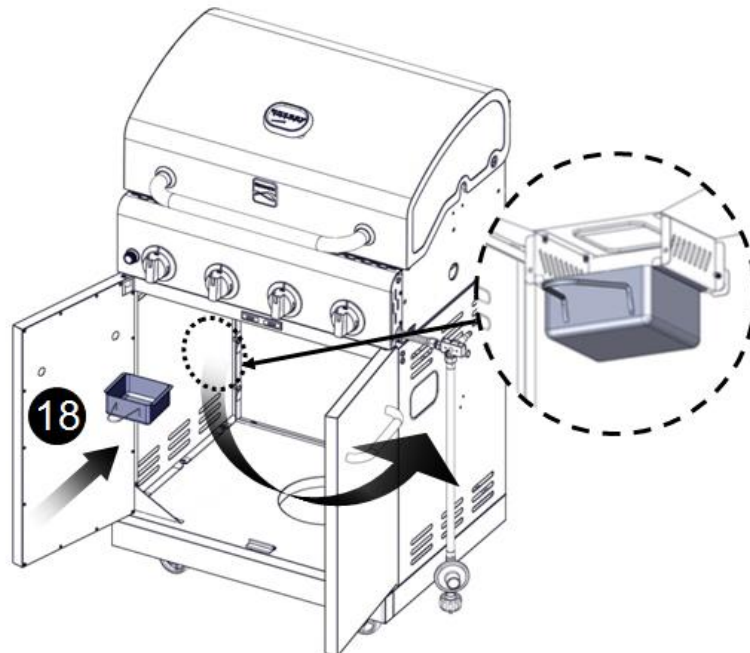
Inserte la bandeja de grasa de la parte posterior de la parrilla como se muestra a continuación.



20

Insert the the grease cup into the grease cup brackets on the bottom of the grease tray.

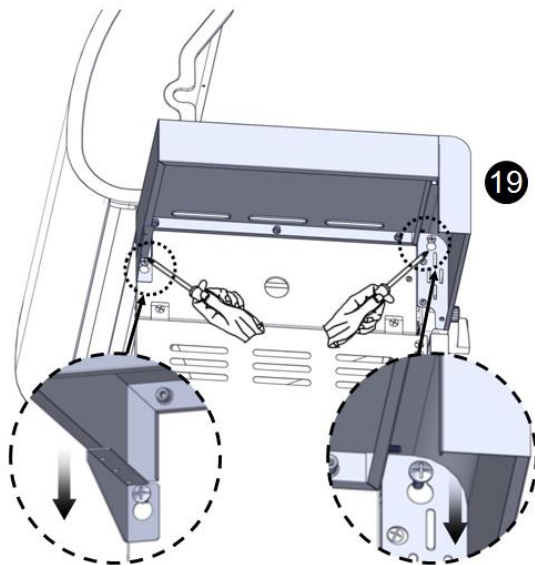
Inserte el la taza para la grasa en los soportes de taza de grasa en la parte inferior de la bandeja de grasa.



21

Open grill head lid. Loosen but do not remove the two screws on the outside surface of the grill head. Place the slotted holes on side shelf over the two screw heads and drop down. Do not tighten screws until end of next step.

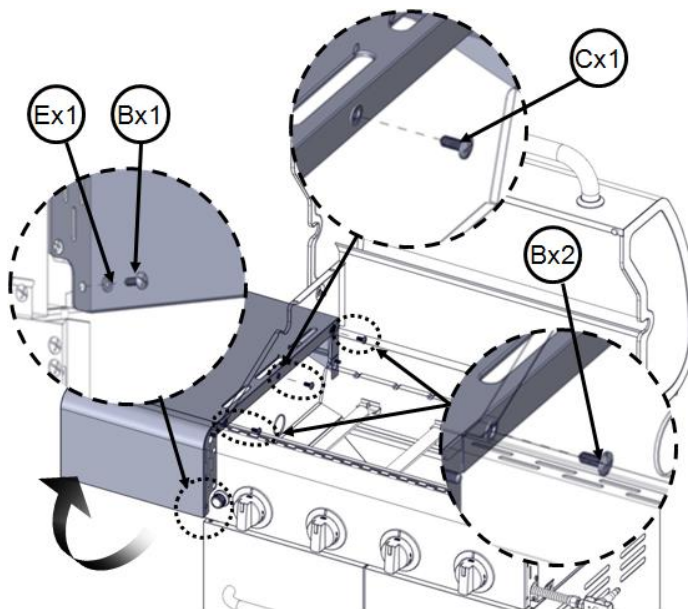
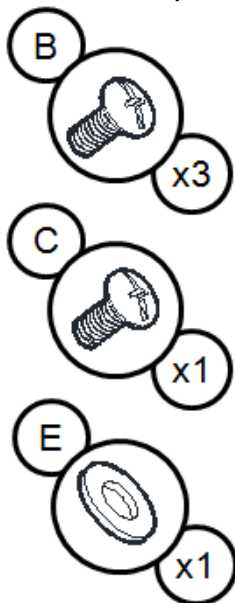
Abra la tapa del cabezal de la parrilla. Afloje sin retirar los dos tornillos de la superficie exterior del cabezal. Alinee los agujeros ranurados de la repisa lateral con la cabeza de los dos tornillos y deje caer la repisa. No apriete los tornillos hasta que no termine el siguiente paso.



22

From inside of grill head, use two truss head screws 1/4-20x5/8" (B) to attach side shelf to grill head through front and back holes. Use one truss head screw 1/4-20x5/16" (C) to attach through center hole. From the inside of the shelf front panel as shown below, use one truss head 1/4-20x5/8" (B) and one 1/4" flat washer (E) to attach the shelf panel to the main control panel. Tighten the two screws loosened in the previous step.

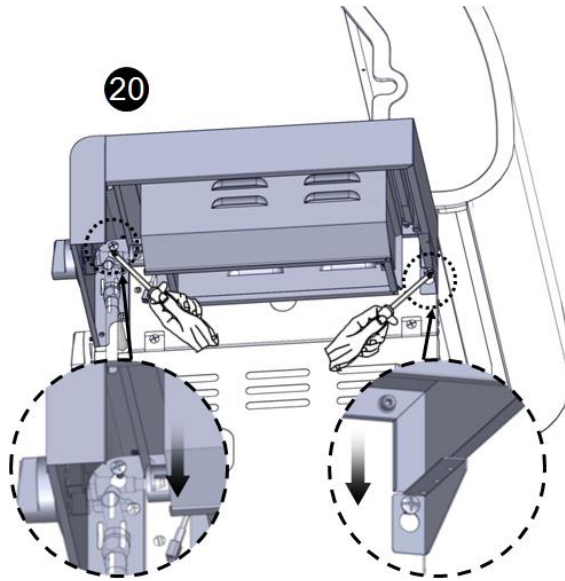
Desde adentro de la cabeza de la parrilla, utilice dos tornillos de cabeza segmental 1/4-20 x 5/8"(B) para sujetar el estante lateral a través de orificios anterior y posterior de la parrilla. Utilice un tornillo de cabeza truss 1/4-20 x 5/16"(C) para conectar a través del centro. Desde el interior del panel frontal como se muestra a continuación, utilice una armadura de cabeza 1/4-20 x 5/8"(B) un 1/4 Arandela plana (E) para sujetar el panel del estante al panel de control principal. Apriete los dos tornillos aflojados en el paso anterior.



23

Remove grate from searing side burner shelf and set aside. Open grill main lid. Loosen but do not remove the two screws on the outside surface of the main lid. Place the slotted holes on searing side burner shelf over the two screw heads and drop down. Do not tighten screws until end of next step.

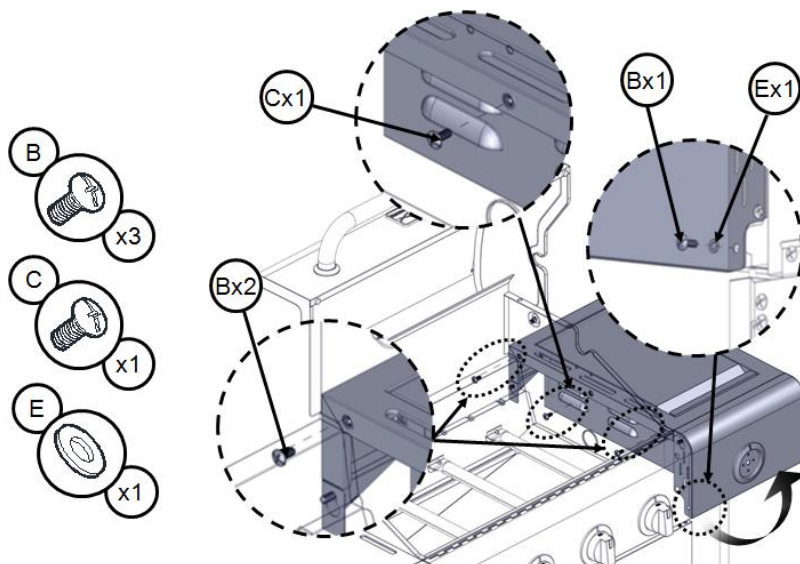
Quite la rejilla del estante del mechero lateral y déjela aparte. Abra la tapa del cabezal de la parrilla. Afloje sin retirar los dos tornillos de la superficie exterior del cabezal. Alinee los agujeros ranurados de la repisa del mechero lateral para marcado con la cabeza de los dos tornillos y deje caer la repisa. No apriete los tornillos hasta que no termine el siguiente paso.



24

From inside of grill head, use two truss head screws 1/4-20x5/8" (B) to attach the sear burner shelf to grill head through front and back holes. Use one truss head screw 1/4-20x5/16" (C) to attach through center hole. From the inside of the shelf front panel as shown below, use one truss head 1/4-20x5/8" (B) and one 1/4" flat washer (E) to attach the shelf panel to the main control panel. Tighten the two screws loosened in the previous step.

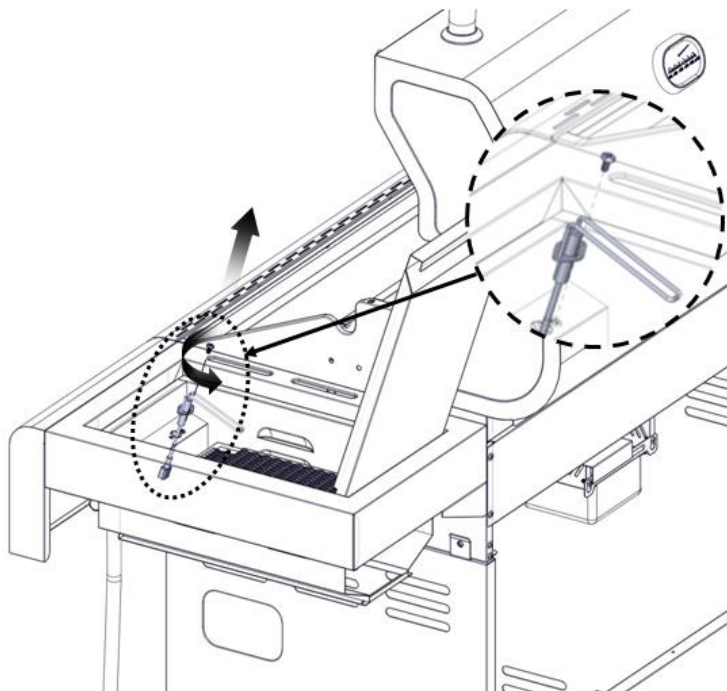
Desde dentro de la tapa principal, use dos tornillos de cabeza segmental 1/4-20 x 5/8"(B) para sujetar el estante de la hornilla para dorar la cabeza a través de orificios anterior y posterior de la parrilla. Utilice un tornillo cabeza truss 1/4-20 x 5/16"(C) para conectar a través del centro. Desde el interior del estante panel frontal como se muestra a continuación, utilice una armadura de cabeza 1/4-20 x 5/8"(B) un 1/4 Arandela plana (E) para sujetar el panel del estante al panel de control principal. Apriete los dos tornillos aflojados en el paso anterior.



25

Remove the screw fastening the ignition electrode to the front of the side burner shelf and remove electrode.

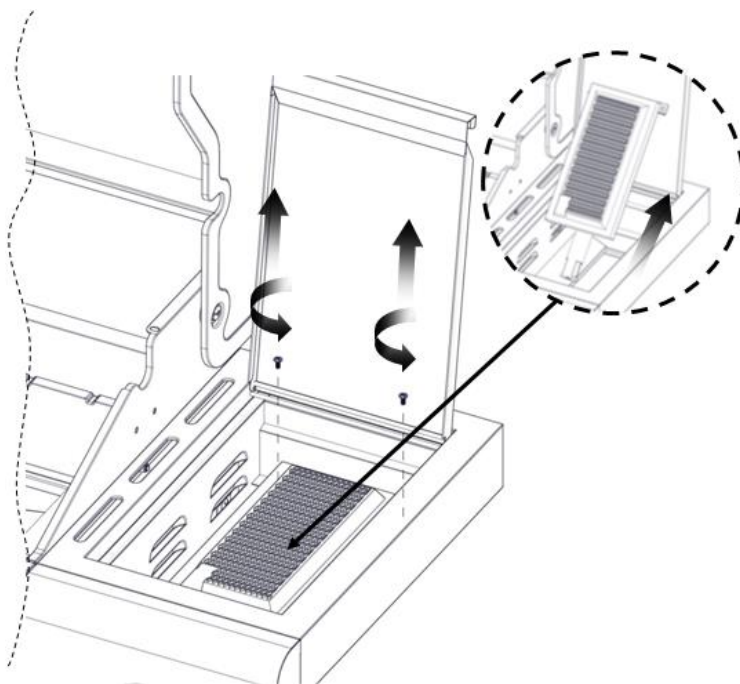
Quite el tornillo que sujeta el electrodo de ignición al frente de la repisa del mechero lateral y retire el electrodo.



26

Remove the two screws fastening the searing burner to the side shelf and remove searing burner.

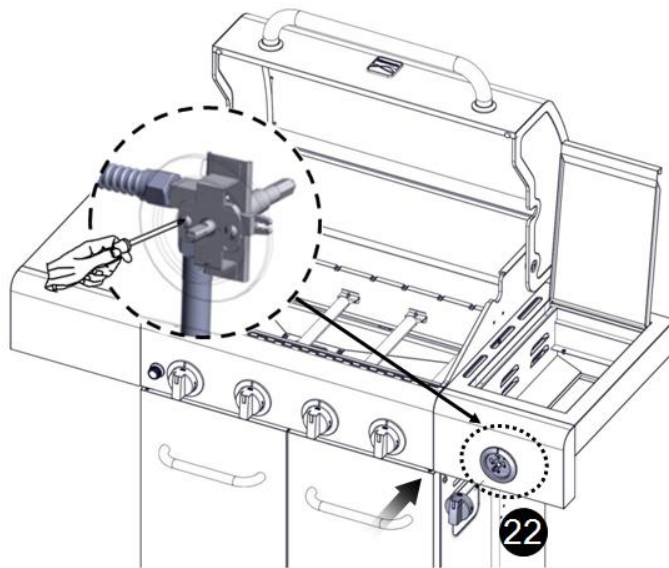
Quite los dos tornillos que sujetan el mechero de marcado en la repisa lateral y retire el mechero de marcado.



27

Loosen but do not remove the 2 screws that are pre-attached to the sear burner gas control valve. Insert the control knob stem and two screws through the corresponding holes in the control panel. Align the screws on the valve with the large side of the holes on the bezel and slide the screws down to smaller holes and tighten the screws to secure. Push the sear burner control knob onto the control knob stem.

Afloje pero no retire los 2 tornillos que están preinstalados en la válvula de control de gas de la hornilla para dorar. Inserte el vástago de la perilla de control y dos tornillos en los agujeros correspondientes en el panel de control. Alinee los tornillos de la válvula con el lado grande de los agujeros en el bisel y deslice los tornillos hasta los orificios más pequeños y apriete los tornillos para asegurarlo. Presione la perilla de control de la hornilla para dorar en el vástago de la perilla de control.



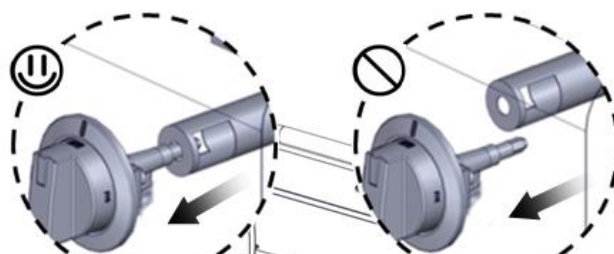
28



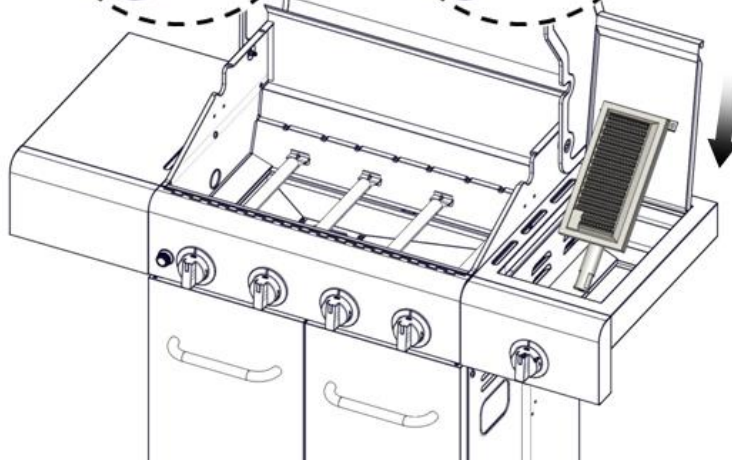
Insert the orifice of the sear burner tube over the gas control valve.

Insertar el orificio del tubo de la hornilla para dorar sobre la válvula de control de gas.

CORRECT



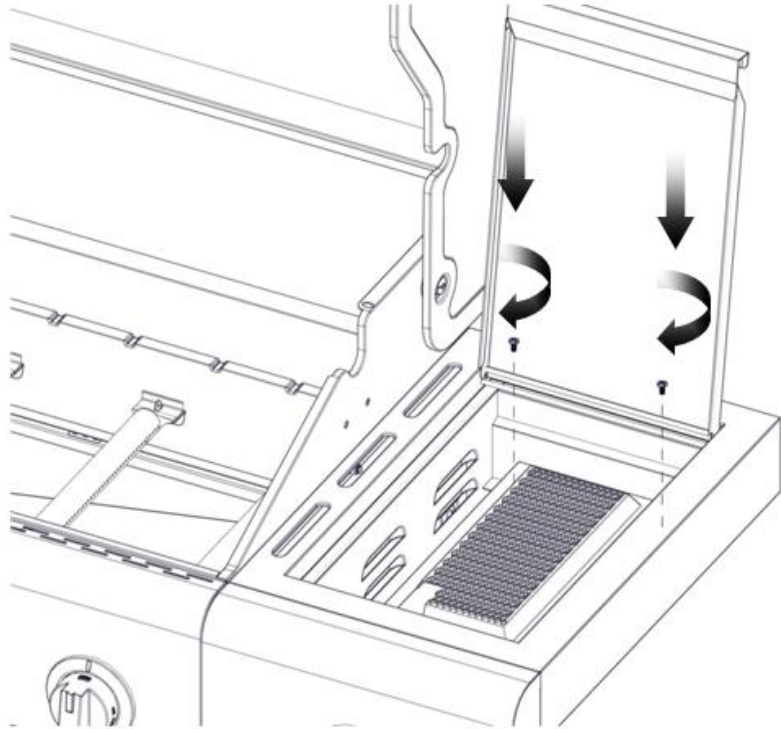
INCORRECT



29

Return and secure the burner to the shelf by inserting and tightening the two previously removed screws.

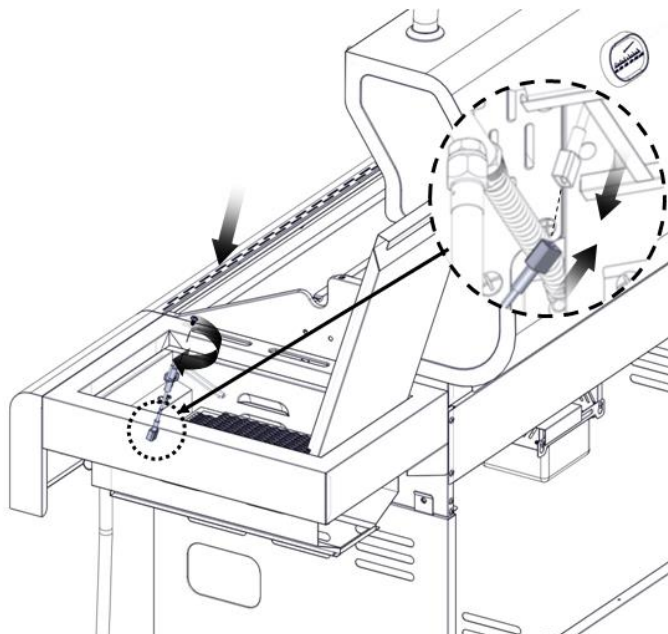
Regrese y fije el mechero a la repisa, insertando y apretando los dos tornillos que quitó anteriormente.



30

Return and secure the ignition electrode to the shelf by inserting and tightening the previously removed screws. Plug sear burner ignition wire from grill head into ignition electrode wire hanging from underside of sear burner.

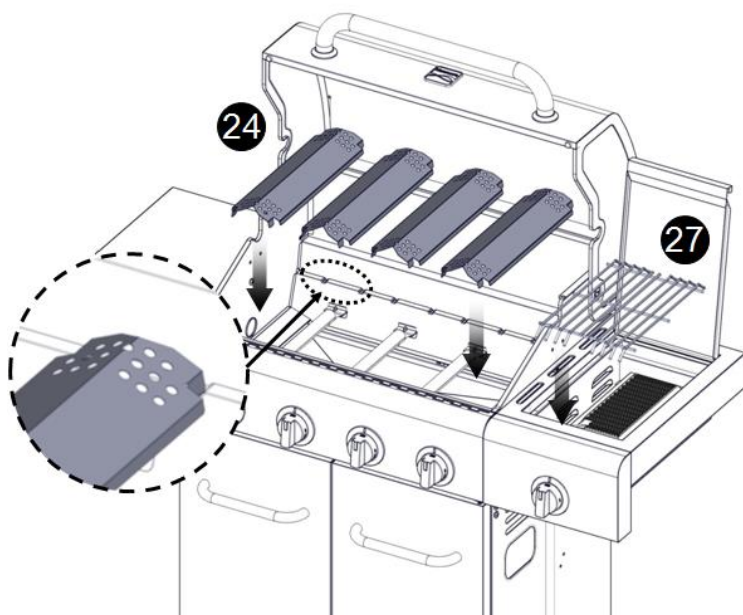
Volver y fije el electrodo de encendido a la plataforma introduciendo y apretando los tornillos retirados anteriormente. La hornilla para dorar encendido cable de la cabeza de la parrilla en alambre de electrodo de ignición cuelgan de la parte inferior de la hornilla para dorar.



31

Return cooking grate to sear burner shelf. Place the heat diffusers into the grill head.

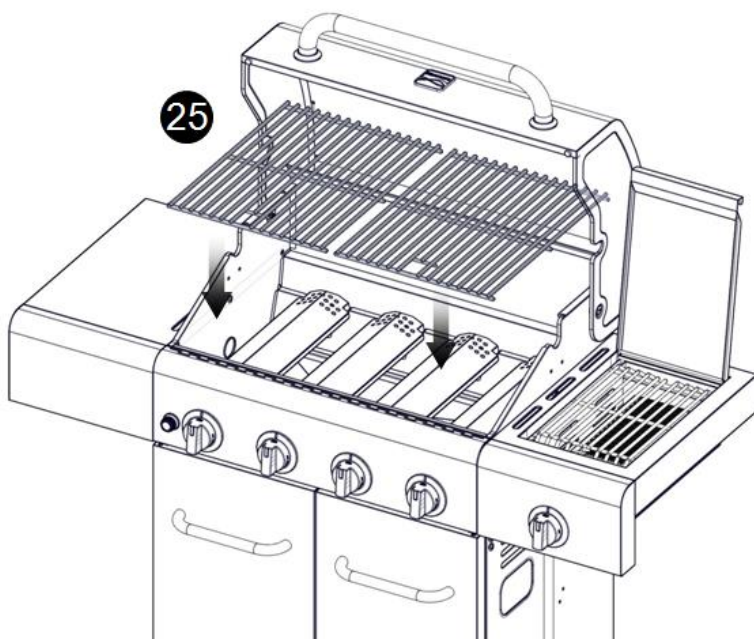
Regrese la parrilla de cocción a la parrilla de hornilla para dorar. Coloque los difusores de calor en la cabeza de la parrilla.



32

Place the main cooking grates into the grill head.

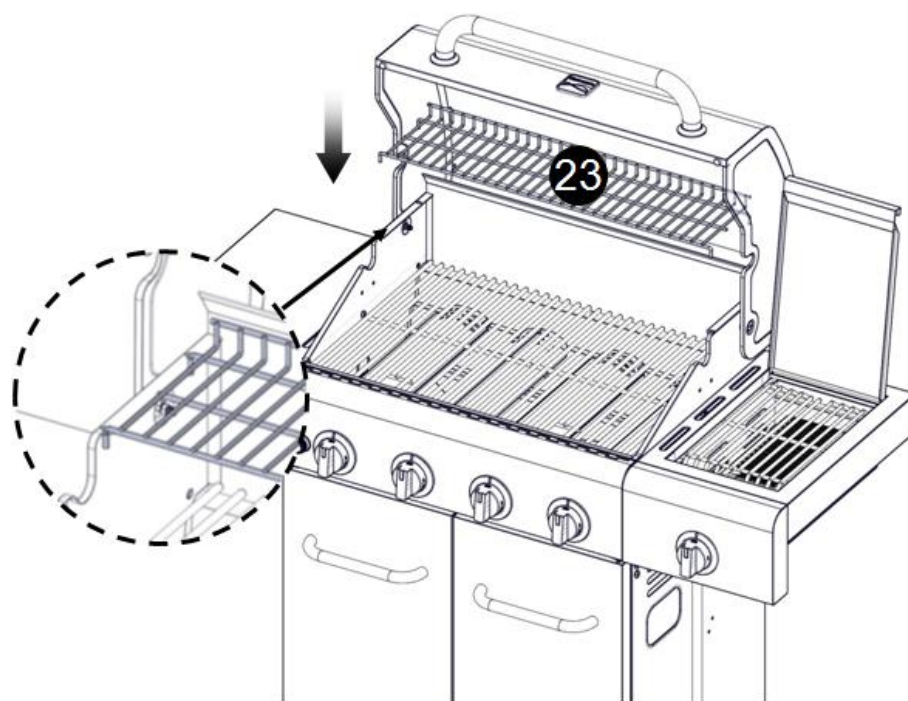
Coloque as rejillas principales de cocción en la parrilla.



33

Place the warming rack into the grill head.

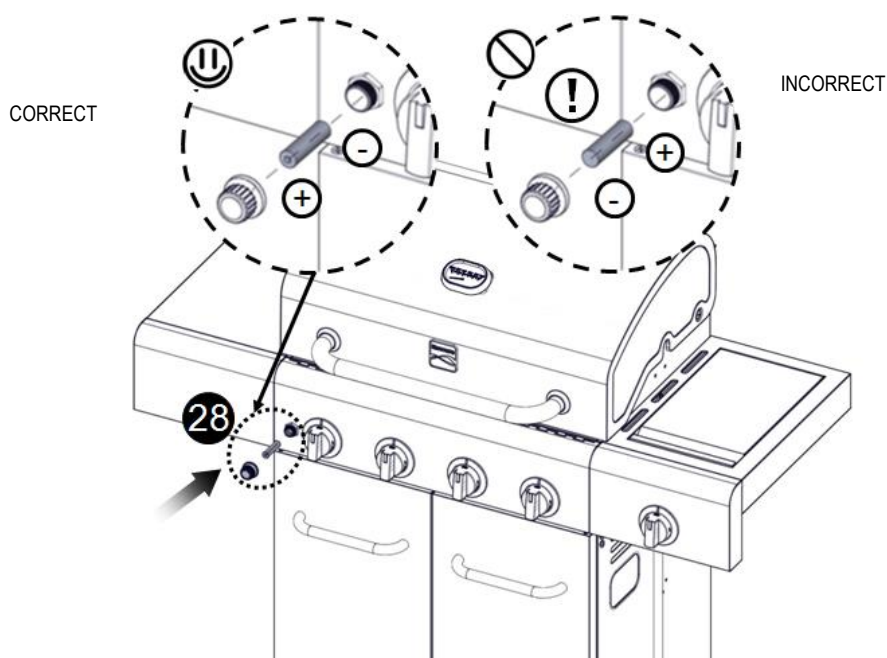
Coloque el panel de calentamiento en la parrilla.



34 !

Unscrew the electronic ignition button and place the battery into the compartment with the positive terminal (+) facing outward. Replace the ignition button after the battery has been installed.

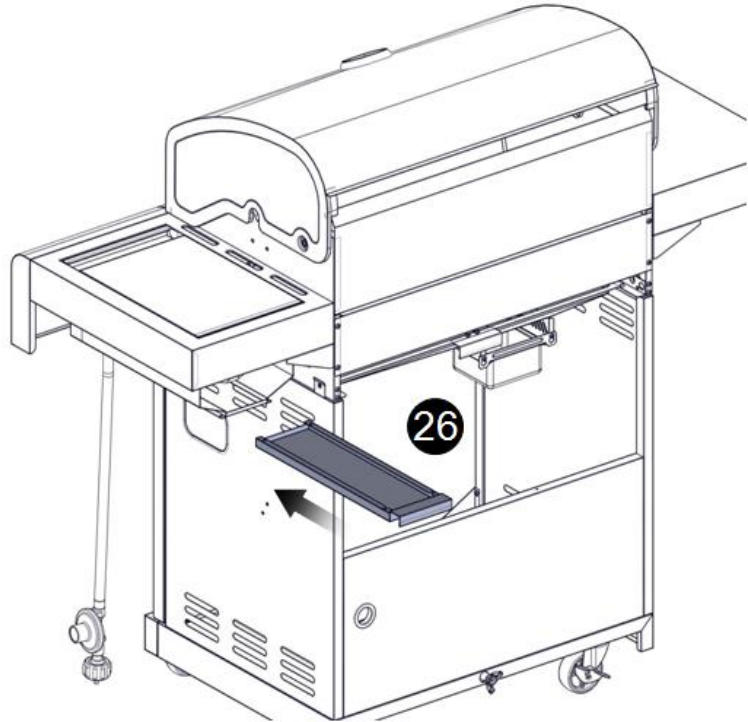
Destornille el botón de encendido eléctrico y coloque la batería en el hueco con el extremo positivo (+) hacia afuera. Vuelva a colocar el botón de encendido luego de que la batería se haya instalado.



35

Insert sear burner grease tray into position below sear burner shelf.

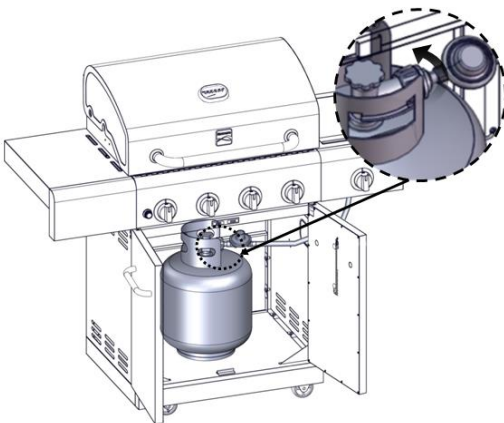
Inserte la bandeja para grasa en su posición, abajo de la repisa del mechero lateral.



36

From the front of cart, place LP Tank into the hole in bottom panel. Connect regulator to the LP tank as follows:

- 1.LP tank must be properly secured onto grill.
- 2.Turn all control panel knobs to OFF position,
- 3.Turn LP tank OFF by turning OPD hand wheel clockwise to a full stop.
- 4.Remove the protective cap from LP tank valve. Always use cap and strap supplied with valve.
- 5.Hold regulator and insert nipple into LP tank valve. Hand-tighten the coupling nut, holding regulator in a straight line with LP tank valve so as not to cross thread the connection.
- 6.Turn the coupling nut clockwise and tighten to a full stop. The regulator will seal on the back-check feature in the LP tank valve, resulting in some resistance. And additional one-half to three quarters turn is required to complete the connection. Tighten by hand only- do not use tools.



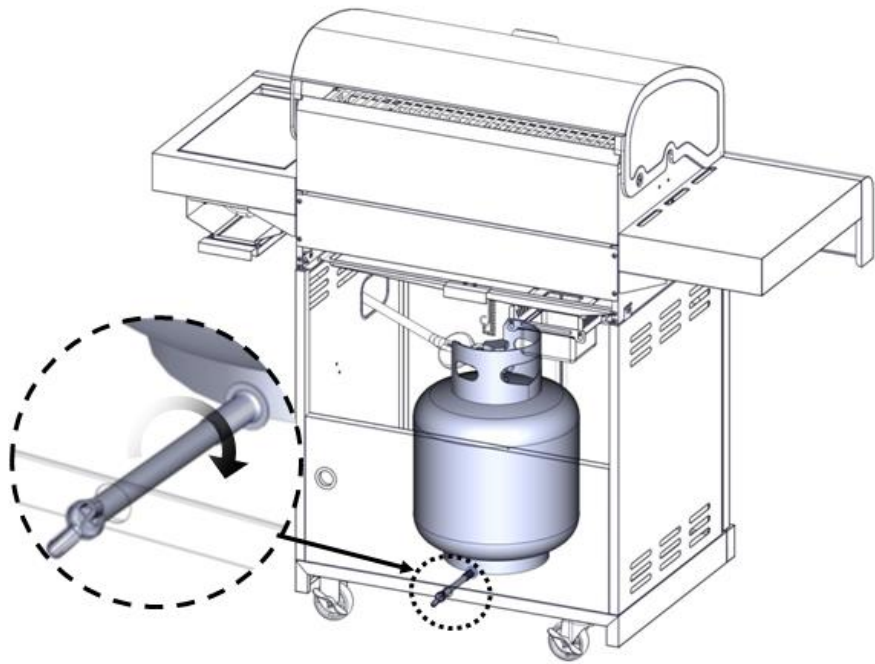
Desde el frente del carro, coloque el tanque de gas LP en el orificio del panel inferior. Conecta el regulador al tanque de propano líquido como sigue:

- 1.Tanque de gas LP debe estar asegurado adecuadamente en parrilla.
- 2.Gire el control de los mandos del panel OFF posición,
- 3.Apagar tanque de gas LP por girar el volante OPD en sentido horario para detenerse por completo.
- 4.Retire la tapa protectora de válvula de tanque de gas LP. Utilice siempre la correa suministrada con la válvula y tapa.
- 5.Sujete el regulador e introduzca el pezón en válvula de tanque de gas LP. Apriete a mano la tuerca de acoplamiento, con regulador en línea recta con la válvula de tanque de gas LP para que no se barra la conexión.
- 6.Turn the coupling nut clockwise and tighten to a full stop. The regulator will seal on the back-check feature in the LP tank valve, resulting in some resistance. And additional one-half to three quarters turn is required to complete the connection. Tighten by hand only- do not use tools.

37

Secure the tank in place by turning the wing nut bolt to the right.

Fije el tanque en su lugar girando la tuerca de mariposa hacia la derecha.



Grill Lighting Instruction

Grill Lighting Instructions for Main Burners

1. Do not smoke while lighting grill or checking gas supply connections.
2. Be sure that LP gas tank is sufficiently full.



WARNING

Failure to open grill lid during the lighting procedure could result in a fire or explosion that could cause serious bodily injury, death, or property damage.

3. Be sure all gas connections are securely tightened.
4. Turn on gas supply.
5. Open the grill main lid.
6. Push and turn any main burner control knob to HI position. Push Electronic Ignition button for 3 to 5 seconds to light burner. ⚡



7. If the burner does not light after 5 seconds, turn knob to OFF. Turn gas OFF at LP tank and wait 5 minutes for gas to clear. Then turn gas ON at tank and repeat step 6.
8. If burner still does not light, see Match Lighting section and If Grill Still Fails to Light section on following page.
9. To light additional burners, turn burner knob(s) to HI ⚡. Push and hold electronic ignition button to light burner. Adjust knob(s) to desired setting.

USING THE SEAR BURNER:

Inspect the gas supply hose prior to turning the gas "ON". If there is evidence of cuts, wear or abrasion, it must be replaced prior to use. Do not use the sear burner if the odor of gas is present. **WARNING: Always keep your face and body as far away from the burner as possible when lighting.**

LIGHTING INSTRUCTIONS FOR SEAR BURNER

1. Make sure the lid is open.
2. Push and slowly turn the Sear Burner knob to IGNITE/ON position. Keep knob pressed in until the burner is lit.
3. If burner does not light within 5 seconds, turn the knob to OFF position and repeat the lighting procedure.
4. If burner fails to light after step 3, turn the knob to OFF position, wait 5 minutes, then repeat the lighting procedure or light by match.





WARNING

Never lean over the grill cooking area while lighting your gas grill. Keep your face and body a safe distance (at least 18 inches) from the cooking grid surface when lighting your grill by match.

Match light

- If the burner will not light after several attempts then the burner can be match lit, before using the match allow 5 minutes for any accumulated gas to dissipate.
- Clip a paper match on one end of the lighting rod.
- Light match.
- Hold lighting rod and insert lighted match right next to the burner ports or ceramic file.
- Push and turn the designated control knob to IGNITE/HIGH.
- Burner should ignite immediately.



WARNING

Should a “FLASH-BACK” fire occur in/or around the burner tubes, follow the instructions below. Failure to comply with these instructions could result in a fire or explosion that could cause serious bodily injury, death, or property damage.

- Shut off gas supply to the gas grill.
- Turn the control knobs to OFF position.
- Put out any flame with a proper fire extinguisher.
- Open grill lid.
- Once the grill has cooled down, clean the burner tubes and burners according to the cleaning instructions found on page 36.

If Grill Still Fails To Light

1. Check gas supply and connections for leaks. Check that all wire connections are secure.
2. Repeat basic lighting procedure. If your grill still fails to operate, turn the gas off at source, turn the control knobs to OFF, then check the following:

- Misalignment of burner tubes over orifices

Correction: Reposition burner tubes over orifices.

- Plugged orifice

Correction: Remove burners from grill, carefully lift each burner up and away from gas valve orifice. Remove the orifice from gas valve and gently clear any obstruction with a fine wire. Then reinstall all orifices, burners, and cooking components.

- Burner tube obstruction

If an obstruction is suspected in grill burner tubes, clean the tubes according to the instructions on page 34.

3. If the grill still does not light you may need to purge air from the gas line or reset the pressure regulator excess gas flow device. **Note:** This procedure should be done every time a new LP gas tank is connected to your grill.

To purge air from your gas line and/or reset the pressure regulator excess gas flow device:

- Turn all control knobs to the OFF position.
- Turn off the gas at the tank valve.
- Disconnect pressure regulator from LP gas tank.
- Let unit stand for 5 minutes.
- Reconnect pressure regulator to the LP gas tank.
- Turn the tank valve on slowly until ¼ to ½ open.
- Open the grill lid.
- Push and turn any control knob to HIGH.
- Turn control knobs to HIGH until all the burners are lit
- You may start to use the grill

4. If all checks or corrections have been made and your grill still fails to light, call for repair service at **1-844-553-6667**.

Congratulations

Your Kenmore gas grill is now ready for use. Before the first use and at the beginning of each season (and whenever the LP gas tank has been changed):

1. Read all safety, lighting and operating instructions.
2. Check gas valve orifices, burner tubes and burner ports for any obstructions.
3. Perform gas leak check according to instructions found on page 6.

Important

Before cooking on your grill the first time, wash cooking grids and cooking rack with warm, soapy water. Rinse and dry thoroughly. Season with cooking oil regularly. After cooking is completed, turn grill to HIGH setting for 3 to 5 minutes to burn off excess grease or food residue.

DISCONNECTING THE LIQUID PROPANE CYLINDER

Turn the grill burner valves "OFF" and make sure the grill is cool.

Turn the Liquid Propane Cylinder valve "OFF" by turning clockwise until it stops.

Detach the pressure regulator assembly from the cylinder valve by turning the quick coupling nut counterclockwise.

Place dust cap on cylinder valve outlet whenever the cylinder is not in use. Only install the type of dust cap on the cylinder valve outlet that is provided with the cylinder valve. Other types of caps or plugs may result in leakage of propane.

Cooking Instructions



WARNING

Do not leave the grill unattended.

Your grill will get very hot. Never lean over the cooking area while using your grill. Do not touch cooking surfaces, grill housing, Grill Lid or any other grill parts while the grill is in operation, or until the grill has cooled down after use. Failure to comply with these instructions may result in serious bodily injury.

Burn-off

Before cooking on your gas grill for the first time, you will want to "burn off" the grill to eliminate any odor or foreign matter. Just ignite the burners, lower the Lid, and operate grill on the HIGH setting for 3 to 5 minutes.

Cooking Temperatures

High setting: Only use this setting for fast warm-up, searing steaks or chops and for burning food residue off the grill after cooking is complete. **Never** use the HIGH setting for extended cooking.

Medium to Low Settings: Most recipes specify medium to low settings, including all smoking, rotisserie cooking and for cooking lean cuts such as fish.

NOTE: Temperature settings will vary with the temperature and the amount of wind outside your home.

Direct Cooking

The direct cooking method can be used with the supplied cooking grids and food placed directly over the lit grill Burners. The method is ideal for searing and whenever you want meat, poultry or fish to have an open-flame barbecued taste. Deep frying and smoking are also best cooked in this manner because they require direct heat.



WARNING

Do not line the bottom of the grill housing with aluminum foil, sand or any substance that will restrict the flow of grease into the grease tray. Failure to comply with these instructions could result in a fire or explosion which could cause serious bodily injury, death, or property damage.

Indirect Cooking

To cook **indirectly**, the food should be placed on the left or right side of your grill with the burner lit on the opposite side.

Flare-ups

The fats and juices dripping from grilled food can cause flare-ups. Since flare-ups impart a favorably, distinctive taste and color to food cooked over an open flame, they should be accepted up to a point. Nevertheless, uncontrolled flaring can result in a ruined meal.

Grill Cooking Chart

WARNING: To ensure that it is safe to eat, food must be cooked to the minimum internal temperatures listed in the table below.

USDA* Safe Minimum Internal Temperatures	
Fish	145° F
Pork	160° F
Egg Dishes	160° F
Steaks and Roasts of Beef, Veal or Lamb	145° F
Ground Beef, Veal or Lamb	160° F
Whole Poultry (Turkey, Chicken, Duck, etc.)	165° F
Ground or Pieces Poultry (Chicken Breast, etc.)	165° F

* United States Department of Agriculture

FOOD	Weight or thickness	Temperature	Time	Special instructions and tips
Vegetables	NA	Medium	8 to 20 minutes	Slice or chop vegetables and dot with butter or margarine. Wrap tightly in heavy duty foil. Grill turning occasionally.
Potatoes	Whole	Medium	40 to 60 minutes	Wrap individually in heavy duty foil. Cook rotating occasionally.
Meat/Steaks	1/2 to 3/4 inches	High-Medium	4 to 15 minutes	Pre heat grill for 15-20 minutes then sear steaks on each side for two minutes. Next grill 3 to 5 minutes on each side or until desired doneness.
Ground Meats	1/2 to 3/4 inches	Medium	8 to 15 minutes	Grill turning once when juices rise to the surface or until desired amount of doneness. Do not leave hamburgers unattended since a flare-up could occur quickly.
Ribs	1/2 or full rack	Medium	20 to 40 minutes	Grill turning occasionally. During last few minutes brush with barbecue sauce, turn several times.
Hot dogs	NA	Medium	5 to 10 minutes	Grill turning four times. 2-4 minutes on each of four sides.
Poultry-Cut	1/4 to 1/2 pounds	Low or Medium	20 to 40 minutes	Grill turning occasionally. During last few minutes brush with barbecue sauce if desired, turn several times.
Poultry Whole	2 to 3 pounds	Low or	1 to 1-1/2 hours	Use poultry stand and brush frequently as desired
		Medium	40 to 60 minutes	Use poultry stand and brush frequently as desired
Fish	3/4 to 1 inch	Medium	8 to 15 minutes	Grill turning once to desired doneness. Brush with melted butter, margarine or oil.

Cleaning and Maintenance

To ensure a proper working unit the following proper care and maintenance is suggested.

Cleaning Cooking Grids

We suggest you wash your cooking grids in a mild soap and warm water solution. You can use a wash cloth or soft brush to clean your cooking grids.

Cleaning Heat Diffusers

Periodically you should wash the heat diffusers in a soap and warm water solution. Use a soft brush to remove stubborn burnt-on cooking residue. The heat diffusers should be dry before you reinstall them.

Grease Tray and Cup:

Regularly clean the grease drippings from the Grease Tray and Grease Cup.

When the grill has completely cooled down after use, remove the cup from the tray and slide the tray out of the grill. Clean the grease drippings from the cup and tray surfaces by washing with mild detergent or nonabrasive cleaner and warm soapy water. Wipe dry with a soft nonabrasive cloth. Slide the tray back into the grill and replace the cup back into the tray before using the grill again.

Annual Cleaning of Grill Interior

Burning-off the grill after every use will keep it ready for your next use. However, once a year you should give the entire grill a thorough cleaning to keep it in top operating condition. Follow these steps.

1. Turn all burner valves to full OFF position.
2. Turn LP gas tank valve to full OFF position.
3. Detach LP gas hose and pressure regulator assembly from your gas grill. Inspect for any damage and replace as necessary with manufacturer replacement part number found on parts list.
4. Remove and clean heat diffusers, cooking grids and grill burners.
5. Cover each gas valve orifice with aluminum foil.
6. Brush inside and bottom of grill with a nylon brush, and wash with a mild soap and warm water solution. Rinse thoroughly and let dry.
7. Remove the aluminum foil, then reinstall heat diffusers, and cooking grids.
8. Reconnect gas source and observe burner flame for correct operation.

Cleaning Exterior Surface

We suggest you wash your grill using a mild soap and warm water solution. You can use a wash cloth or sponge for this process. Do not use abrasives or a brush that might remove finish during the cleaning process.

Cleaning Exterior Stainless Steel Surfaces

Weathering and extreme heat can cause exterior stainless steel surfaces to turn tan in color. Machine oils used in manufacturing process of stainless steel can also cause this tanning color. Use a stainless steel cleaner to polish stainless steel surfaces of your grill. Never use abrasive cleaners or scrubbers because they will scratch and damage your grill.

Cleaning Burner Tubes and Burner Ports

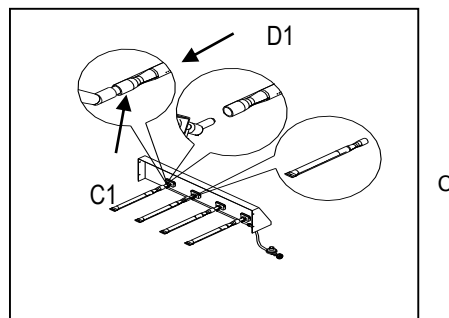
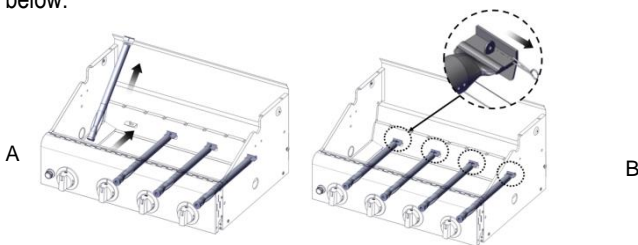
To reduce the chance of "FLASH-BACK" the procedure below should be followed at least once a month in late summer or early fall when spiders are most active or when your grill has not been used for a period of time.

1. Turn all burner valves and gas tank valve to off position.
2. Detach the LP gas pressure regulator assembly from your gas grill.
3. Remove cooking grids, heat diffusers, and grease tray from the grill.
4. Remove the cotter pin from the burner and lift the burners up and away from the gas valve orifice.
5. Using a bent stiff wire in the shape of a hook, air hose or a bottle brush, run it through the burner tube and inside several times to remove any debris.
6. Replace burners:

Step 1. Place the opening at the front end of the cleaned (or new) burner over the main burner gas valve. Make sure the orifice stud (C1) of the gas valve is inside the burner opening (D1) as shown in C below.

Step 2. Lower the back end of the burner onto the burner ledge at the back of firebox. See A below.

Step 3. Slide the burner back end over the attachment tab on the burner ledge. Use cotter pin to secure burner back end in place. See B below.





WARNING

The location of the burner tube with respect to the orifice is vital for safe operation. Check to ensure the orifice is inside the burner tube before using the gas grill. If the burner tube does not fit over the valve orifice, lighting the burner may cause explosion and/or fire.

2. Clean any clogged ports with a stiff wire, such as an open paper clip.
3. Inspect each burner for damage (cracks or holes) and if such damage is found, order and install a new burner. After installation check to ensure that gas valve orifices are correctly placed inside the ends of the burner tubes.

Regardless of which burner cleaning procedure you use, we recommend you also complete the following steps to help prolong burner life.

1. Use a fiber pad or nylon brush to clean the entire outer surface of each burner until free of food residue and dirt.



WARNING

Spiders and insects can nest inside the burners of the grill and disrupt gas flow. This very dangerous condition could cause a fire behind the valve panel, thereby damaging the grill and making it unsafe for operation. Inspect the grill burners at least twice a year to make sure they are free from insect nest obstruction.

Troubleshooting

BEFORE CALLING FOR SERVICE

If the grill does not function properly, use the following check list before calling for service.

You should inspect the burners at least once a year or immediately after any of the following conditions occur:

PROBLEMS	WHAT TO DO
Grill won't light when the control knob is rotated.	<p>Check to see if LP tank is empty.</p> <p>Clean wires and/or electrode by rubbing with alcohol and clean swab.</p> <p>Wipe with dry cloth.</p> <p>Make sure the wire is connected to electrode assembly.</p> <p>Do other burners on the unit operate?</p> <p>Check to see if other burners operate. If so, check the gas orifice on the malfunctioning burner for an obstruction.</p>
Burner flame is yellow or orange, in combination with the odor of gas.	Refer to Clean Burner Tubes and Burner Ports on page 36. If problem still exists, call 1-844-553-6667.
Low heat with knob in "HI" position.	<p>Is the fuel hose bent or kinked?</p> <p>Is the grill in a dusty area?</p> <p>Is there adequate gas supply available?</p> <p>If it is only one burner that appears low, does the orifice or burner need cleaning?</p> <p>Is the gas supply or gas pressure low?</p>

Garantía-----	37
Precauciones de seguridad-----	38
Listado del contenido del paquete-----	7
Contenido del equipo-----	8
Instrucciones de ensamblaje -----	41
Instrucciones de cocción-----	44
Tabla de cocción en la parrilla-----	45
Limpieza y mantenimiento -----	46
Localización y resolución de problemas -----	48
Diagrama de piezas -----	49
Listado de piezas -----	51

⚠ RESIDENTES DE CALIFORNIA SOLAMENTE - ADVERTENCIA: Este producto y los combustibles usados para operar este producto (propano líquido), y los productos de la combustión de tales combustibles, pueden exponerle a los productos químicos incluyendo el benceno, que es conocido por el Estado de California para causar cáncer y daño reproductivo.

Para más información, visite www.P65Warnings.ca.gov

© 2017 Sears Brands, LLC

Acuerdos de protección por reparaciones

Felicitaciones por hacer una compra tan inteligente. Su nuevo producto Kenmore está diseñado y fabricado para que disfrute de años de uso digno de confianza. Pero como todos los productos, es posible que ocasionalmente necesite reparaciones. Por ello, tener un Acuerdo de Protección por Reparaciones puede ahorrarle dinero y evitar que el problema empeore.

Le presentamos el Acuerdo de Protección por Reparaciones * que contempla:

- Servicios profesionales** realizados por nuestros 10.000 especialistas en reparaciones
- Servicio ilimitado y sin cargo** en repuestos y mano de obra de todas las reparaciones cubiertas
- Reemplazo del producto** hasta \$1.500 si el producto cubierto no puede repararse
- Descuento** del 25% del precio regular de servicio y partes relacionadas instaladas no cubiertas por el acuerdo; además, 25% de descuento sobre el precio regular de la revisión de mantenimiento preventivo
- Asistencia telefónica rápida** – lo llamamos Resolución Rápida – asistencia telefónica que brinda un representante de Sears. Piense en nosotros como si fuéramos un "manual del usuario parlante"

Quando adquiera el Acuerdo de Protección por Reparaciones, todo lo que necesita es hacer un simple llamado para programar un servicio para su dispositivo. Puede llamar en cualquier momento del día o de la noche, o programar por Internet una cita para que le brinden el servicio.

El Acuerdo de Protección por Reparaciones constituye una compra sin riesgos. Si lo cancela por cualquier motivo durante el periodo de garantía del producto, le devolveremos por completo su dinero. En caso contrario, podremos efectuar un reembolso proporcional en cualquier momento posterior al vencimiento del periodo de garantía. ¡Adquiera hoy mismo su Acuerdo de Protección por Reparaciones!

Se aplican ciertas limitaciones y exclusiones. Si desea conocer precios e información adicional en EE. UU., llame al 1-800-488-1222.

*** la cobertura en Canadá varía en algunos artículos. Si desea conocer todos los detalles, llame a Sears Canadá al 1-800-469-4663.**

Instalador favor deje las instrucciones con el consumidor; Por favor, guarde el manual de instrucciones para futuras consultas.

GARANTÍA LIMITADA KENMORE

CON PRUEBA DE VENTA, aplica la siguiente cobertura de garantía cuando este dispositivo se instala, opera y mantiene de manera correcta y según todas las instrucciones suministradas.

Se garantiza este dispositivo contra cualquier defecto en materiales o mano de obra POR UN AÑO a partir de la fecha de compra. Un dispositivo defectuoso recibirá reparación gratuita, o reemplazo, a discreción del vendedor.

A partir de la fecha de compra y DURANTE DIEZ AÑOS, todos los quemadores de acero inoxidable que se oxiden o quemaduras a través se reemplazarán sin costo alguno. Si el óxido por fuego u ocurre dentro del primer año, un nuevo quemador se instalará de forma gratuita. Si el óxido por fuego u ocurre después del primer año, un nuevo quemador será suministrado pero no instalado sin costo alguno. Luego del primer año contado desde la fecha de compra, usted es responsable del costo de la mano de obra correspondiente a la instalación de partes.

Para los detalles de la cobertura de la garantía para obtener reparación gratuita o reemplazo, visite la página de Internet: www.kenmore.com/warranty

Ninguna garantía cubre las baterías del encendedor y la pérdida de pintura de las piezas de la parrilla, la pérdida de color o el óxido en la superficie, ya sea que se trate de piezas prescindibles que pueden desgastarse por el uso normal dentro del periodo de garantía o debido a condiciones que pueden surgir del uso normal del producto, de un accidente o del mantenimiento incorrecto.

Toda cobertura por garantía quedará nula en caso de que este dispositivo se utilice con fines diferentes al uso en el hogar.

Esta garantía cubre SÓLO defectos en materiales y mano de obra y no pagará por:

1. Artículos reemplazables que puedan desgastarse con el uso normal dentro del periodo de garantía, por ejemplo, sin que sean todos, baterías, focos con base para atornillar y revestimientos y acabados de superficies.
2. Un técnico de servicio para limpiar o mantener este dispositivo, o para enseñar al usuario la correcta instalación, operación y mantenimiento del dispositivo.
3. Las llamadas de servicio para corregir la instalación del dispositivo que no hayan llevado a cabo los agentes de servicio autorizado de Sears, o para reparar problemas con fusibles en el hogar, cortadores de circuitos, cableado del hogar y sistemas de plomería o suministro de gas como resultado de dicha instalación.
4. Daños o fallas de este dispositivo como resultado de una instalación que no hayan llevado a cabo los agentes de servicio autorizado de Sears, incluida la instalación que no se haga de acuerdo con los códigos eléctricos, de gas o de plomería.
5. Daños o fallas de este dispositivo, incluida la decoloración u oxidación de la superficie, si no se opera y mantiene de manera correcta según todas las instrucciones suministradas.
6. Daño o falla de este dispositivo, incluida la decoloración u oxidación de la superficie, causado por accidentes, modificaciones, abusos, maltratos o uso diferente al propósito destinado.
7. Daño o falla de este dispositivo, incluida la decoloración u oxidación de la superficie causada por el uso de detergentes, limpiadores, sustancias químicas o utensilios que no sean los recomendados en todas las instrucciones suministradas con el producto.
8. Daño o falla de este dispositivo como resultado de catástrofes naturales o de otro tipo, tales como inundación, incendio o tormentas.
9. Daño o falla de partes o sistemas causados por modificaciones no autorizadas hechas a este dispositivo.
10. Servicio a un dispositivo si la placa de clasificación con el número de modelo y de serie no está presente, ha sido alterada, o no puede determinarse fácilmente que tenga el logotipo de certificación apropiado.

Renuncia a las garantías implícitas; limitación de acciones y recursos legales

El único y exclusivo recurso del cliente dentro de esta garantía limitada será la reparación del producto como se establece en la presente. Las garantías implícitas, como la garantía de comercialización o adecuación para un propósito determinado, están limitadas a un año sobre el dispositivo y a diez años sobre los quemadores de acero inoxidable, o al periodo más corto permitido por la ley. El vendedor no será responsable de daños incidentales o consecuentes. En algunos estados y provincias no se permite la exclusión o limitación de daños incidentales o consecuentes, o la limitación en la duración de las garantías implícitas de comercialización o adecuación, por lo que esas exclusiones y limitaciones podrían no aplicarse en el caso de usted.

Esta garantía se aplica únicamente si este aparato se utiliza en Estados Unidos.

Esta garantía le brinda derechos legales específicos y es posible que goce de otros derechos que varían de un estado a otro.

Sears Brands Management Corporation, Hoffman Estates, IL 60179

ADVERTENCIA

En caso de que estas instrucciones no se cumplieran, ello podría dar como resultado un incendio o una explosión que podría causar lesiones corporales graves, la muerte o daños a la propiedad.

ADVERTENCIA

Su parrilla llegará a tener una temperatura muy elevada. Nunca se incline sobre el área de cocción mientras use la parrilla. No toque las superficies de cocción, la carcasa de la parrilla, la tapa o cualquier otra pieza de la parrilla mientras esta esté operando o hasta que la parrilla de gas se haya enfriado luego de usarla. **El incumplimiento de estas instrucciones puede dar como resultado lesiones corporales graves.**

ADVERTENCIA

1. **No almacene ni use gasolina u otros líquidos o vapores inflamables en las cercanías de este o cualquier otro dispositivo.**
2. **No se debe almacenar en las cercanías de este o cualquier otro dispositivo un cilindro de propano líquido (LP, por sus siglas en inglés) que no esté conectado para su uso.**

PELIGRO

En caso de que usted huelga gas :

1. **Cierre el suministro de gas del dispositivo.**
2. **Apague cualquier tipo de llama abierta.**
3. **Abra la tapa.**
4. **Si el olor persiste, manténgase alejado del dispositivo y llame inmediatamente a su proveedor del servicio de gas o al departamento de bomberos.**

Un tanque de 12 pulgadas de diámetro por 18½ pulgadas de alto aproximadamente es el tamaño máximo del tanque de gas LP para usar en la parrilla.

Debe usar un tanque de gas OPD que brinda un Dispositivo de Prevención por Sobrecarga.

Esta función de seguridad evita que el tanque se sobrecargue lo que puede ocasionar un funcionamiento incorrecto del tanque de gas LP, del regulador y/o de la parrilla.

El tanque de gas LP debe estar construido y marcado de acuerdo con las especificaciones del Departamento de Transporte de Estados Unidos (DOT, por sus siglas en inglés). En Canadá, el tanque de gas LP debe cumplir con las Normas Nacionales de Canadá, norma CAN/CSA-B339, sobre cilindros, esperas y tubos de la Comisión y Transporte de Mercadería Peligrosa.

1. El tanque de gas LP debe tener una válvula de cierre que cancele la salida del suministro de gas LP de la válvula del tanque y que sea compatible con un dispositivo de conexión para tanque Tipo 1. El tanque de gas LP también debe contar con un dispositivo de escape de seguridad que tenga una conexión directa con el espacio de vapor del tanque.
2. El sistema de suministro del tanque debe estar adaptado para la salida de vapores.
3. El tanque de gas LP debe tener un collarín que proteja la válvula del tanque.

Colocación correcta y espacio libre de la parrilla

Nunca use la parrilla de gas en un garaje, entrada, cobertizo, corredor o cualquier otro lugar cerrado. La parrilla de gas debe utilizarse **sólo al aire libre**, al menos 36 pulgadas desde la parte de atrás y del costado de cualquier superficie combustible. La parrilla de gas no debe utilizarse en una construcción combustible elevada.

Códigos de instalación de la parrilla

La instalación debe cumplir con los códigos locales o, en ausencia de ellos, con todo código de gas combustible a nivel nacional, norma ANSI Z 223.1/NFPA 54, el código de instalación para gas propano y gas natural, norma CSA B149.1 o el código de manipulación y almacenamiento de propano, norma B149.2, o las normas para vehículos recreativos, norma ANSI A 119.2, y el código de vehículos recreativos serie CSA Z240 RV, según corresponda.

Los modelos de parrilla de gas LP están diseñados para que se usen con un tanque de gas propano líquido de 20 lb, que no está incluido con la parrilla. Nunca conecte su parrilla de gas a un tanque de gas LP que supere esta capacidad.

- No obstruya el flujo de aire de la ventilación que se encuentra en la carcasa de la parrilla de gas.
- No instale esta parrilla de gas para exteriores en o sobre vehículos recreativos o botes
- Mantenga despejada y sin materiales combustibles, gasolina y demás vapores y líquidos inflamables el área donde se encuentra la parrilla de gas para exteriores
- No obstruya el flujo de combustión y del aire de la ventilación. Controle esto con anterioridad cada vez que use la parrilla.
- **Nunca** conecte un tanque de gas LP sin regular a la parrilla de gas. El ensamble del regulador de gas que viene con su parrilla de gas está adaptado para que tenga una presión de salida de una columna de agua (W.C.) de 11" para la conexión a un tanque de gas LP.
- Sólo use el ensamble del regulador y la manguera que viene con su parrilla de gas. Los ensambles de los reguladores y de la manguera de reemplazo deben ser los que se especifican en este manual.
- Haga llenar su tanque de gas LP por un distribuidor de gas propano de confianza, haga que le practiquen una inspección ocular y lo dejen en condiciones cada vez que llene el tanque.
- No guarde un tanque de gas LP de repuesto debajo de o cerca de este dispositivo.
- Nunca llene el tanque superando el 80 por ciento de la capacidad. Si esta instrucción no se cumpliera con exactitud, es posible que se produzca un incendio que ocasione la muerte o lesiones graves.
- Siempre mantenga los tanques de gas LP en una posición vertical.
- No almacene o use gasolina u otros vapores o líquidos inflamables en las cercanías de esta parrilla de gas.
- No someta el tanque de gas LP a un calor excesivo.
- Nunca almacene en un ambiente cerrado un tanque de gas LP. Si usted guarda su parrilla de gas en el garaje o en otro lugar cerrado, **siempre** desconecte el tanque de gas LP en primer término y guárdelo afuera en un lugar seguro.



Conserve siempre el cilindro de propano líquido a 90° (vertical) para proporcionar la eliminación del vapor

- Coloque la tapa anti-polvo sobre la salida de la válvula del cilindro siempre que el mismo no esté en uso. Instale sólo el tipo de tapa anti-polvo sobre la salida de la válvula del cilindro que viene con la mencionada válvula. Otros tipos de tapas o tapones pueden causar fugas de propano.

- Los tanques de gas LP deben guardarse en exteriores, en áreas bien ventiladas y fuera del alcance de los niños. No deben guardarse los tanques de gas LP desconectados en viviendas, garajes o en cualquier otro tipo de lugar cerrado.
- Cuando su parrilla de gas no esté en uso, se debe cerrar el paso de gas en el tanque de gas LP.
- El ensamble del regulador y la manguera deben inspeccionarse con anterioridad cada vez que se use la parrilla. En caso de que exista abrasión o desgaste excesivo o si la manguera está cortada, se debe reemplazar antes de que se utilice la parrilla nuevamente.
- Mantenga la manguera del regulador de gas alejada de superficies calientes de la parrilla y que recolecten grasa. Evite la torsión innecesaria de la manguera. Haga una inspección visual de la manguera con anterioridad cada vez que use la parrilla para detectar cortes, rajaduras, desgaste excesivo u otros daños. Si la manguera pareciera estar dañada, no use la parrilla de gas. Llame al 1-844-553-6667 para solicitar una manguera de reemplazo.
- **Nunca** encienda su parrilla de gas con la tapa cerrada o antes de controlar a fin de asegurarse si los tubos de los mecheros están colocados por completo en los orificios de las válvulas de gas.
- **Nunca** permita que los niños operen la parrilla.



ADVERTENCIA

Un fuerte olor a gas o un sonido siseante del gas indica un problema grave respecto de la parrilla de gas o el tanque de gas LP. En caso de que las siguientes instrucciones no se cumplieran, ello podría dar como resultado un incendio o una explosión que podría causar lesiones corporales graves, la muerte o daños a la propiedad.

- Cierre el suministro de gas de la parrilla.
- Gire las perillas de control a la posición de apagado (OFF).
- Apague cualquier tipo de llama con un extintor de incendios adecuado.
- Abra la tapa de la parrilla.
- Aléjese del tanque de gas LP.
- No intente solucionar el problema usted mismo.
- Si el olor persiste o tiene un incendio que no puede apagar, llame al departamento de bomberos de su área. No llame cerca del tanque de gas LP ya que el teléfono es una forma de dispositivo eléctrico y podría generar chispas que den como resultado un incendio y/o una explosión.

NOTA: El flujo normal de gas que va por el ensamble del regulador y la manguera puede causar un zumbido. Un volumen bajo de ruido es perfectamente normal y no interferirá con la operación de la parrilla. Si el zumbido es fuerte y excesivo, es posible que deba purgar el aire de la línea de gas o reajustar el dispositivo de flujo de gas en exceso del regulador. Este procedimiento de purga debe hacerse cada vez que se conecte un nuevo tanque de gas LP a la parrilla. Para obtener asistencia con este procedimiento, consulte la página 55, del título "En caso de que aún no se encienda la parrilla" o llame al Centro de Información sobre Parrillas al 1-844-553-6667.

PRECAUCIÓN: Tenga cuidado con los fogonazos

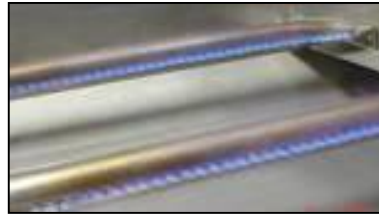
PRECAUCIÓN: Las arañas y los insectos pequeños pueden ocasionalmente tejer telillas o hacer nidos en los tubos de los mecheros de la parrilla durante el transporte o mientras están en el depósito. Estas telillas pueden causar obstrucciones en el flujo de gas que podrían hacer que se quemen los tubos de los mecheros y áreas circundantes. Este tipo de evento se lo conoce como "FOGONAZO" y puede causar graves daños a la parrilla y generar condiciones de operación riesgosas para el usuario.

Aunque el tubo de un mechero obstruido no es la única causa para que se genere un "FOGONAZO", es la más común.

A fin de minimizar las probabilidades de que ello ocurra, usted debe limpiar los tubos de los mecheros antes de armar la parrilla y luego por lo menos una vez al mes hacia el final del verano o a principios del otoño que es cuando las arañas tienen mayor actividad. Asimismo realice este procedimiento de limpieza si usted no ha usado la parrilla durante un tiempo prolongado.

Consulte la sección Limpieza de Tubos y Puertos de los Mecheros en la página 55.

Control de las llamas de los mecheros



Controle en forma visual las llamas de los mecheros antes de cada uso. Las llamas debe tener el aspecto que se observa en la imagen. En caso contrario, consulte la sección sobre limpieza de los tubos y puertos de los mecheros en la página 55 de este manual.

Verificación para detectar fugas de gas LP

Nunca haga pruebas para detectar fugas con una llama. Antes de usarla por primera vez, al comienzo de cada estación o cada vez que se cambie el tanque de gas LP, debe verificar el dispositivo para detectar fugas de gas.

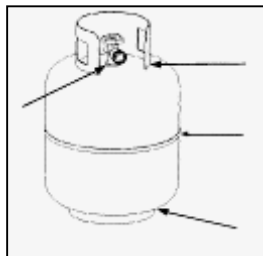
1. Haga una solución de jabón suave en partes iguales (50% agua/ 50% jabón).
2. Gire las perillas de control a la posición de apagado (OFF); luego abra el paso de gas (ON) en el tanque de suministro.
3. Aplique la solución jabonosa con un cepillo limpio en todas las conexiones de gas. Observe a continuación. Si aparecen formaciones de burbujas en la solución, las conexiones no están selladas apropiadamente. Verifique cada conexión y ajústelas o repárelas según sea necesario.

Verificación para la detección de fugas en la conexión de gas



4. Si tiene una fuga en la conexión de gas que no pueda reparar, cierre el paso de gas (OFF) en el tanque de suministro, desconecte la línea de combustible de la parrilla y llame al 1-844-553-6667 o a su proveedor de servicios de gas para que lo asista en la reparación.
5. Asimismo, aplique la solución jabonosa en las juntas del tanque. Observe a continuación. Si aparecen formaciones de burbujas, cierre el tanque (OFF) y no lo use ni lo mueva. Contacte al proveedor especialista en gas LP o al departamento de bomberos de su localidad para obtener asistencia.

Verificación para la detección de fugas en el tanque de gas



Instrucciones de encendido de la parrilla

Instrucciones de encendido para los mecheros principales

1. No fume mientras enciende la parrilla o verifica las conexiones del suministro de gas.
2. Asegúrese de que el tanque de gas LP esté lo suficientemente lleno.



ADVERTENCIA

En caso de que no abra la tapa de la parrilla durante el procedimiento de encendido, ello podría dar como resultado un incendio o una explosión que podría causar lesiones corporales graves, la muerte o daños a la propiedad

3. Asegúrese de que todas las conexiones de gas estén ajustadas de forma segura.
4. Abra el paso de suministro de gas.
5. Abra la tapa principal de la parrilla.
6. Presione y gire cualquiera de las perillas de control del mechero principal a la posición de máximo ⚡. Pulse el botón Encendido Electrónico durante 3 a 5 segundos para encender el mechero.



7. Si el mechero no se enciende luego de 5 segundos, gire la perilla a posición de apagado (OFF). Apague el gas (OFF) del tanque LP y aguarde 5 minutos para que se despeje el gas. Luego encienda el gas (ON) en el tanque y repita el paso 6
8. Si todavía el mechero no se enciende, consulte las secciones "Encendido con cerillo" y "Si no se puede encender la parrilla" en la siguiente página.
9. Para encender más mechero, gire la(s) perilla(s) del mechero a la posición de máximo ⚡. Presione y mantenga presionado el botón de encendido electrónico para encender el mechero. Ajuste la(s) perilla(s) en la posición deseada.

USO DEL MECHERO SECADOR:

Inspeccione la manguera del suministro de gas antes de abrir el paso del gas (ON). Si hubiera evidencias de cortes, desgaste o abrasión, debe reemplazarla antes de usar la parrilla. No use el mechero lateral si hubiera olor a gas.

ADVERTENCIA: Siempre mantenga su rostro y su cuerpo tan alejado como pueda del mechero al encenderlo.

INSTRUCCIONES DE ENCENDIDO PARA EL MECHERO SECADOR

1. Abra por completo la tapa del mechero secador.
2. Presione y gire la perilla del mechero secador a la posición de máximo ⚡ Presione y mantenga presionado el botón Encendido Electrónico de 3 a 5 segundos para encender el mechero.
3. Si el mechero lateral no se enciende luego de 5 segundos, gire la perilla a posición de apagado (OFF). Apague el gas (OFF) del tanque LP y espere 5 minutos para que se despeje el gas. Luego encienda el gas (ON) del tanque y repita el paso 2.
4. Si todavía el mechero no se enciende, consulte las secciones "Encendido con cerillo" y "Si no se puede encender la parrilla" en la siguiente.

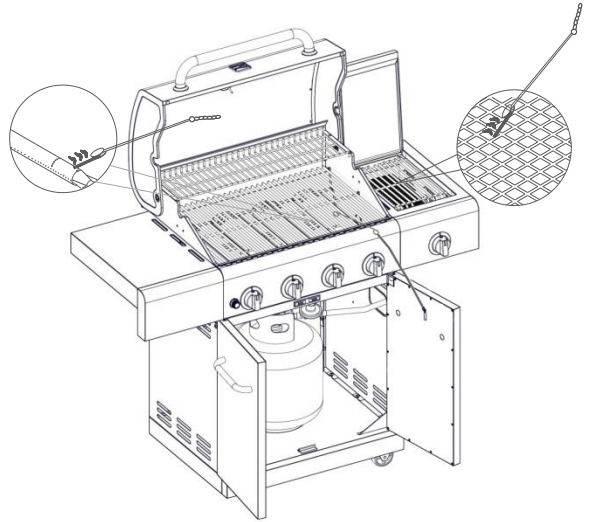


ADVERTENCIA

Nunca se incline sobre el área de cocción de la parrilla mientras enciende la parrilla de gas. Mantenga su rostro y su cuerpo a una distancia segura (como mínimo, 18 pulgadas) de la superficie de la rejilla de cocción cuando encienda la parrilla con un cerillo.

Encendido manual de la parrilla con un cerillo

1. Coloque un cerillo en la varilla de encendido manual.
2. Siga los pasos 1 a 5 del Procedimiento de Encendido Básico.
3. Encienda el cerillo y extienda la varilla de encendido hasta la superficie de la rejilla de cocción.
4. Gire la perilla de control que desee hasta la posición de máximo ⚡ para liberar la salida del gas. El mechero debe encenderse de inmediato.



ADVERTENCIA

En caso de que ocurriera un "FOGONAZO" en o cerca de los tubos de los mecheros, siga las siguientes instrucciones. En caso de que estas instrucciones no se cumplieran, ello podría dar como resultado un incendio o una explosión que podría causar lesiones corporales graves, la muerte o daños a la propiedad.

- Cierre el suministro de gas de la parrilla.
- Gire las perillas de control a la posición de apagado (OFF).
- Apague cualquier tipo de llama con un extintor de incendios adecuado.
- Abra la tapa de la parrilla.
- Cuando la parrilla se haya enfriado, limpie los tubos del mechero y los mecheros según las instrucciones de limpieza que están en la página 55.

Si no se puede encender la parrilla

1. Verifique el suministro y las conexiones de gas para detectar fugas. Verifique que la totalidad de las conexiones de cables sean seguras.

2. Repita el procedimiento de encendido básico. Si todavía la parrilla no funciona, apague la fuente de gas, gire las perillas de control a la posición de apagado (OFF), y verifique lo siguiente:

- Alineación errónea de los tubos de los mecheros sobre los orificios

Corrección: vuelva a posicionar los tubos de los mecheros sobre los orificios.

- Orificio tapado

Corrección: quite los mecheros de la parrilla, con cuidado levante cada uno de los mecheros y aléjelos del orificio de la válvula de gas. Quite el orificio de la válvula de gas y con gentileza destape cualquier obstrucción con un alambre delgado. Luego vuelva a instalar todos los orificios, mecheros y componentes de cocción.

Obstrucción de tubo quemador

Si se sospecha una obstrucción en los tubos del quemador parrilla, limpie los tubos de acuerdo con las instrucciones en la página 51.

Obstrucción de tubo quemador

Si se sospecha una obstrucción en los tubos del quemador parrilla, limpie los tubos de acuerdo con las instrucciones en la página 51.

3. Si el asador no se enciende aún deberá purgar el aire de la tubería de gas o reajustar el dispositivo de flujo de presión regulador exceso de gas. Nota: Este procedimiento debe realizarse cada vez que conecte un nuevo tanque de gas LP a su parrilla.

Para purgar el aire de la línea de gas o reajustar el dispositivo de flujo de exceso de gas de regulador de presión:

- Gire todas las perillas de control a la posición OFF.
- Cierre el gas en la válvula del tanque.
- Desconecte el regulador de presión de tanque de gas LP.
- Debe reposar por 5 minutos.
- Vuelva a conectar el regulador al tanque de gas LP.
- Abra la válvula del tanque lentamente hasta $\frac{1}{4}$ a $\frac{1}{2}$.
- Abra la tapa de la parrilla.
- Empuje y gire la perilla de cualquier control a alta.
- Gire las perillas de control al alta hasta que se enciendan todos los quemadores
- Usted puede comenzar a usar la parrilla

4. Si todas las verificaciones o correcciones efectuadas y su parrilla todavía no se enciende, llame a servicio de reparación en 1-844-553-6667.

Felicitaciones

Su parrilla de gas Kenmore ya está lista para usarse. Antes de usarla por primera vez y al principio de cada estación (y siempre que se haya cambiado el tanque de gas LP):

1. Lea todas las instrucciones relativas a la seguridad, el encendido y la operación del dispositivo.
2. Verifique los orificios de la válvula de gas, los tubos de los mecheros y los puertos de los mecheros para detectar todo tipo de obstrucciones.
3. realizar comprobación de fugas de gas según las instrucciones en la página 44.

Importante

Antes de cocinar en su parrilla por primera vez, lave las rejillas y plataformas de cocción con agua caliente y jabonosa. Enjuáguelas y séquelas minuciosamente. Colóqueles aceite para cocinar en forma regular. Luego de que la cocción se termine, ponga la parrilla en la posición de máximo (HIGH) durante 3 a 5 minutos para quemar el exceso de grasa o los residuos de comida

DESCONEXIÓN DEL CILINDRO DE PROPANO LÍQUIDO

Gire las válvulas del mechero de la parrilla a la posición de apagado (OFF) y asegúrese de que la parrilla esté fría. Gire la válvula del cilindro de propano líquido a la posición de apagado (OFF) girando las mismas en sentido de las agujas del reloj hasta que haga tope. Desprenda el ensamble del regulador de presión de la válvula del cilindro girando la arandela de acoplamiento rápido en sentido contrario de las agujas del reloj. Coloque la tapa para polvo sobre la salida de la válvula del cilindro cuando el cilindro no se use. Instale sólo el tipo de tapa para polvo en la salida de la válvula del cilindro que viene con dicha válvula. Otros tipos de tapas o tapones pueden dar como resultado fugas de propano.

Instrucciones de cocción



ADVERTENCIA

No deje la parrilla sin prestarle atención. Su parrilla llegará a tener una temperatura muy elevada. Nunca se incline sobre el área de cocción mientras use la parrilla. No toque las superficies de cocción ni la carcasa de la parrilla. Tampoco toque la tapa de la parrilla ni otras partes de la misma mientras la parrilla esté en funcionamiento o hasta que la parrilla se haya enfriado luego de su uso. El incumplimiento de estas instrucciones puede dar como resultado lesiones corporales graves.



ADVERTENCIA

No cubra la parte posterior de la carcasa de la parrilla con láminas de aluminio, arena o cualquier otra sustancia que limite el paso del flujo de grasa hacia la bandeja para grasa.

En caso de que estas instrucciones no se cumplieran, ello podría dar como resultado un incendio o una explosión que podría causar lesiones corporales graves, la muerte o daños a la propiedad.

Incineración

Antes de cocinar en su parrilla de gas por primera vez, usted deberá "incinerarla" para eliminar cualquier tipo de olor o material extraño. Encienda los mecheros, baje la tapa y ponga en funcionamiento la parrilla en una posición de máximo (HIGH) durante 3 a 5 minutos.

Temperaturas de cocción

Posición máxima: Use esta posición únicamente para calentar rápidamente, marcar los filetes o chuletas y para incinerar residuos de la parrilla luego de terminar de cocinar. **Nunca** use la posición máxima (HIGH) para cocciones prolongadas.

Posiciones media y baja: La mayoría de las recetas especifican uso de llama media a baja, incluso para ahumar, asar y cocinar cortes magro como el pescado.

NOTA: Las posiciones de la temperatura variarán con la temperatura y el nivel de viento que haya en el exterior de su casa.

Cocción directa

El método de cocción directa puede utilizarse con las rejillas de cocción que acompañan el producto y los alimentos se colocan directamente sobre los mecheros de la parrilla encendidos. Este método es ideal para marcar los alimentos y siempre que desee comer carne vacuna, pollo o pescado que tenga un sabor a asado hecho con llama abierta. El freído en profundidad y el proceso de ahumado se preparan mejor de esta manera porque necesitan calor directo.

Cocción indirecta

Para cocinar de forma **indirecta**, los alimentos deben colocarse en el lateral derecho o izquierdo de la parrilla con el mechero del lado opuesto encendido.

Llamarada

Las grasas y los jugos que caen de la comida asada pueden causar llamaradas. Dado que las llamaradas imparten un sabor y color favorablemente distintivo a la comida que se cocina con llama abierta, deben tolerarse hasta cierto punto. No obstante, las llamaradas sin controlar pueden dar como resultado en que la comida se eche a perder.

Tabla de cocción en la parrilla

ADVERTENCIA: Para asegurarse de que lo que se prepara para comer no conlleve riesgos, los alimentos deben cocinarse a un mínimo de temperatura interna que se detalla en la tabla siguiente.

Temperaturas seguras mínimas de cocción interna de la USDA*

Pescado	62,78° C/145° F
Cerdo	71,11° C/160° F
Platos con huevos	71,11° C/160° F
Filetes y asados de carne vacuna, de ternera o de cordero	62,78° C/145° F
Carne vacuna, de ternera o de cordero picada	71,11° C/160° F
Aves enteras (pavo, pollo, pato, etc.)	73,89° C/165° F
Carne de ave picada o partes de aves (pechuga de pollo, etc.)	73,89° C/165° F

*Departamento de Agricultura de Estados Unidos

Alimento	Peso o espesor	Temperatura	Tiempo	Instrucciones especiales y sugerencias
Vegetales	N/A	Media	De 8 a 20 minutos	Corte en rodajas o pique los vegetales y salpique con mantequilla o margarina Envuelva con firmeza una lámina resistente Cocínelos en la parrilla dándolos vuelta en forma ocasional.
Patatas	Enteras	Media	De 40 a 60 minutos	Envuelva cada patata con firmeza una lámina resistente Cocínelas rotándolas en forma ocasional.
Carnes/filetes	½ a ¾ pulgadas	Máxima - media	De 4 a 15 minutos	Caliente la parrilla previamente durante 15-20 minutos, luego marque los filetes de cada lado durante 2 minutos. Áselos de 3 a 5 minutos de cada lado o hasta el punto de cocción deseado.
Carnes picadas	½ a ¾ pulgadas	Media	De 8 a 15 minutos	Áselas dándolas vuelta cuando aparezcan los jugos en la superficie o hasta que el punto deseado de cocción. No deje de prestarles atención a las hamburguesas dado que podría ocasionarse una llamarada rápidamente.
Costillas	½ estante o todo el estante	Media	De 20 a 40 minutos	Cocínelos en la parrilla dándolos vuelta en forma ocasional. Durante los últimos minutos agregue salsa para asado. Deles vuelta varias veces.
Salchichas	N/A	Media	De 5 a 10 minutos	Áselas dándolas vuelta cuatro veces. Hágalo de 2-4 minutos de cada uno de los cuatro lados.
Cortes de aves	¼ a ½ libras	Baja o media	De 20 a 40 minutos	Cocínelos en la parrilla dándolos vuelta en forma ocasional. Durante los últimos minutos agregue salsa para asado si lo desea y deles vuelta varias veces.
Aves enteras	2 a 3 libras	Baja o	De 1 a 1 ½ horas	Use bases para aves y coloque salsa con la frecuencia deseada
		Media	De 40 a 60 minutos	Use bases para aves y coloque salsa con la frecuencia deseada
Pescado	¾ a 1 pulgada	Media	De 8 a 15 minutos	Áselo dándolo vuelta una vez hasta el punto de cocción deseado. Coloque una mezcla de mantequilla, de margarina o de aceite.

Limpeza y Mantenimiento

Para asegurarse de que la unidad funcione correctamente, se sugiere que se lleven a cabo las siguientes pautas de cuidado y mantenimiento apropiado.

Limpeza de las rejillas de cocción

Sugerimos que lave las rejillas de cocción con una solución hecha con jabón suave y agua tibia. Puede usar un paño de limpieza o un cepillo suave para limpiar las rejillas de cocción.

Limpeza de los difusores de calor

En forma periódica, debe lavar los difusores de calor con una solución hecha con jabón y agua tibia. Use un cepillo suave para sacar los residuos de cocción quemados rebeldes. Se deben secar los difusores de calor antes de que los vuelva a instalar.

Bandeja de grasa y la Copa:

Limpe regularmente los goteos de grasa de la bandeja de grasa y la grasa de la Copa. ? Cuando la parrilla se haya enfriado completamente después de su uso, retire la copa de la bandeja y deslice? La bandeja de la parrilla. Limpe la grasa de grasa de las superficies de la taza y la bandeja por lavado? Con un detergente suave o un limpiador no abrasivo y agua tibia jabonosa. Seque con un paño suave? No abrasivo. Deslice la bandeja en la parrilla y sustituir la copa de nuevo en la bandeja? Antes de usar la parrilla nuevamente.

Limpeza anual del interior de la parrilla

Incinerar la parrilla luego de cada uso la mantendrá lista para la próxima vez que la use. Sin embargo, usted debe una vez al año limpiar la parrilla a fondo para mantenerla en excelentes condiciones de funcionamiento. Siga estos pasos

1. Gire todas las válvulas de los mecheros a una total posición de apagado (OFF).
2. Gire la válvula del tanque de gas a una total posición de apagado (OFF).
3. Desprenda el ensamble de la manguera de gas LP y del regulador de la parrilla de gas. Haga una inspección para detectar cualquier tipo de daño y reemplace piezas según sea necesario según el número de pieza de reemplazo del fabricante que se encuentra en el listado de piezas
4. Quite y limpie los difusores de calor, las rejillas de cocción y los mecheros de la parrilla.
5. Cubra cada uno de los orificios de las válvulas de gas con lámina de aluminio.

6. Limpie con un cepillo de nylon el interior y la parte posterior de la parrilla y lávelos con una solución hecha con jabón suave y agua tibia.

Enjuáguelas minuciosamente y déjelas secar.

7. Quite las láminas de aluminio, vuelva a instalar los difusores de calor y las rejillas de cocción.

8. Vuelva a conectar la fuente de gas y observe la llama del mechero para ver si funciona correctamente.

Limpeza de las superficies externas

Sugerimos que lave la parrilla con una solución hecha con jabón suave y agua tibia. Puede usar para este procedimiento un paño de limpieza o una esponja. No use productos abrasivos o un cepillo que pueda levantar el acabado durante el proceso de limpieza.

Limpeza de las superficies externas de acero inoxidable

Las inclemencias del clima y el calor intenso pueden provocar que las superficies de acero inoxidable se pongan de un color canela. El aceite de máquina que se usa en el proceso de fabricación también puede causar este color canela. Utilice un limpiador para acero inoxidable para pulir las superficies de este material de su parrilla. Nunca utilice limpiadores abrasivos o estropajos porque rayarán y dañarán la parrilla.

Limpeza de los tubos y los puertos de los mecheros

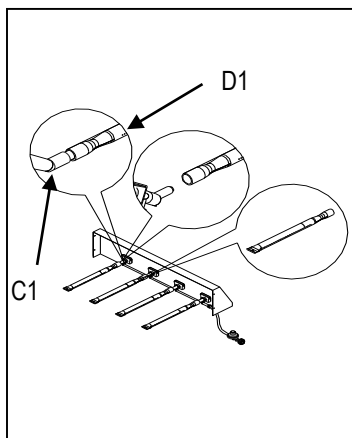
Para reducir la posibilidad de "FOGONAZO", se debe cumplimentar el siguiente procedimiento por lo menos una vez al mes hacia fines del verano o a principios del otoño cuando las arañas tienen mayor actividad o cuando no haya utilizado la parrilla por un periodo prolongado.

1. Gire todas las válvulas de los mecheros y la válvula del tanque de gas a una posición de apagado.
2. Desprenda el ensamble del regulador de gas LP de la parrilla de gas.
3. Quite las rejillas de cocción, los difusores de calor y la bandeja para grasa de la parrilla.
4. Retire el pasador de la hornilla y levante los quemadores y del orificio de la válvula de gas.
5. Con un alambre curvo resistente en forma de anzuelo, una manguera de aire comprimido o un cepillo cilíndrico, limpie por el tubo del mechero y en el interior del mismo varias veces para sacar todo tipo de residuo.
6. Reemplazar los quemadores:

Paso 1. La abertura en la hornilla delantera de limpia (o nuevo) sobre la válvula de gas del quemador principal. Asegúrese de que el perno (C1) del orificio de la válvula de gas está dentro de la hornilla abriendo (D1) como se muestra en C más abajo.

Paso 2. Baje el extremo posterior del quemador sobre la repisa del quemador en la parte posterior de cámara de combustión. Ver A continuación.

Paso 3. Deslice el extremo posterior del quemador sobre la lengüeta de fijación en la repisa del quemador. Utilice chaveta al extremo posterior del quemador seguro en su lugar. Véase B más abajo.



C

Independientemente de qué procedimiento de limpieza emplee, le recomendamos también realizar los siguientes pasos para ayudar a prolongar la utilidad del mechero.

1. Use una almohadilla de fibra o un cepillo de nylon para limpiar toda la superficie externa de cada uno de los mecheros hasta que no tengan residuos de comida ni suciedad.

2. Limpie los puertos obstruidos con un alambre resistente, como un clip para papel abierto.

3. Haga una inspección de cada mechero para detectar daños (rajaduras u hoyos) y en caso de que encuentre tal daño, solicite e instale un nuevo mechero. Luego de la instalación, verifique con el fin de asegurarse que los orificios de la válvula de gas se encuentran correctamente colocados en los extremos de los tubos de gas.



ADVERTENCIA

Los insectos y las arañas pueden hacer nidos dentro de los mecheros de la parrilla e interrumpir el flujo de gas. Esta situación extremadamente peligrosa podría causar que se prenda fuego detrás del panel de la válvula, por lo que dañaría la parrilla y haría insegura su operación. Inspeccione los quemadores de la parrilla por lo menos dos veces al año para asegurarse de que estén libres de obstrucción nido insectos.



ADVERTENCIA

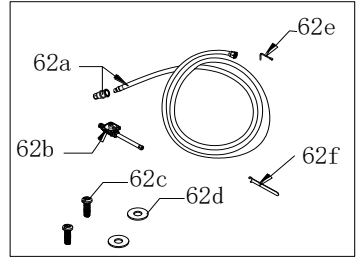
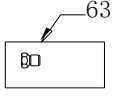
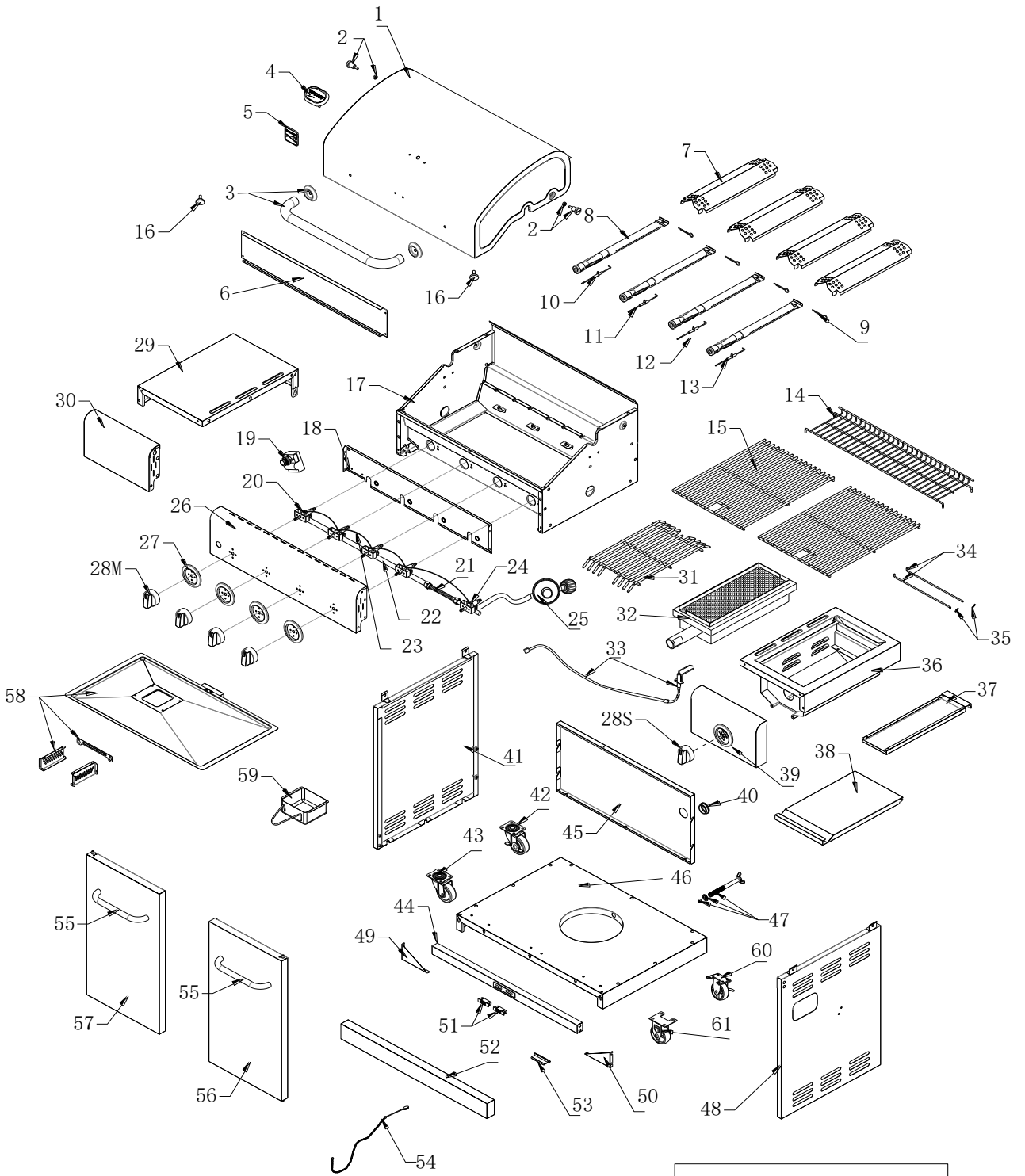
La ubicación del tubo del mechero con respecto al orificio es fundamental para un funcionamiento sin riesgos. Verifique para asegurarse de que el orificio se encuentra adentro del tubo del mechero antes de usar la parrilla de gas. Si el tubo del mechero no encaja sobre el orificio de la válvula, al encenderse el mechero se puede provocar una explosión y/o incendio.

ANTES DE LLAMAR AL SERVICIO

Si la parrilla no funciona adecuadamente, emplee la siguiente lista de verificación antes de llamar para solicitar servicios.

Debe inspeccionar los mecheros una vez al año o inmediatamente después de que ocurra cualquiera de las siguientes situaciones :

PROBLEMAS	QUÉ HACER
La parrilla no enciende cuando se gira la perilla de control	<p>Verifique si el tanque LP está vacío.</p> <p>Limpie los cables y/o electrodos frotándolos con alcohol y un hisopo limpio.</p> <p>Limpie con un paño seco.</p> <p>Asegúrese de que el cable está conectado al ensamble del electrodo.</p> <p>¿Los otros mecheros de la unidad funcionan?</p> <p>Verifique si los otros mecheros funcionan. De ser así, verifique si el orificio de gas del mechero que funciona mal tiene una obstrucción.</p>
La llama del mechero es amarilla o naranja y también hay olor a gas.	<p>Consulte la sección Limpieza de los tubos y los puertos del mechero de la página 51. Si el problema persiste, llame al 1-844-553-6667.</p>
El nivel de calor en la posición máxima (HI) es bajo.	<p>¿La manguera de combustible está doblada o enrollada?</p> <p>¿La parrilla está en una zona polvorienta?</p> <p>¿Existe un suministro de gas adecuado disponible?</p> <p>Si sólo un mechero es el que tiene un nivel bajo, ¿el orificio o el mechero necesitan una limpieza?</p> <p>¿El suministro o la presión de gas tienen un nivel bajo?</p>



Parts List for model 122.33492413

No.	Part No.	PART (Description)	Warranty	Qty	No.	Part No.	PART (Description)	Warranty	Qty
1	0830S-001	Main Lid	1	1	36	0830S-036	Sear Burner Bowl Assembly	1	1
2	0830S-002	Main Lid Screw	1	2	37	0830S-037	Sear Burner Grease Tray	1	1
3	0830S-003	Main Lid Handle	1	1	38	0830S-038	Sear Burner Lid	1	1
4	0830S-004A	Temperature Gauge	1	1	39	0830S-039	Sear Burner Control Panel	1	1
5	0830S-005	Logo	1	1	40	0830S-040	Rubber Grommet	1	1
6	0830S-006	Back Panel, top	1	1	41	0830S-041	Side Panel, Left	1	1
7	0830S-007	Flame Tamer	1	4	42	0830S-042	Swivel Caster with Brake	1	1
8	0830S-008	Main Burner	10	4	43	0830S-043	Swivel Caster	1	1
9	0830S-009	Burner Pin Assembly	1	4	44	0830S-044	Cart Beam, Front	1	1
10	0830S-010	Main Burner Igniter Wire A	1	1	45	0830S-045	Back Panel, bottom	1	1
11	0830S-011	Main Burner Igniter Wire B	1	1	46	0830S-046	Bottom Panel	1	1
12	0830S-012	Main Burner Igniter Wire C	1	1	47	0830S-047	Tank Bolt	1	1
13	0830S-013	Main Burner Igniter Wire D	1	1	48	0830S-048	Side Panel, Right	1	1
14	0830S-014	Warming Rack	1	1	49	0830S-049	Triangle Bracket, Left	1	1
15	0830S-015	Cooking Grid with Hole	1	2	50	0830S-050	Triangle Bracket, Right	1	1
16	0830S-016	Hood Buffer	1	2	51	0830S-051	Door Magnet	1	2
17	0830S-017	Main burner bowl assembly	Non-replaceable		52	0830S-052	Bottom panel trim piece	1	1
18	0830S-018	Front baffle	1	1	53	0830S-053	Door iron piece	1	1
19	0830S-019	Electronic Igniter Module	1	1	54	0830S-054	Lighting Rod	1	1
20	0830S-020	Main Gas Valve	1	4	55	0830S-055	Door Handle	1	2
21	0830S-021	Side Burner Flex Gas Line	1	1	56	0830S-056	Door, Right	1	1
22	0830S-022	Main Manifold	1	1	57	0830S-057	Door, Left	1	1
23	0830S-023	Igniter junction wire	1	1	58	0830S-058A	Grease Tray	1	1
24	0830S-024	Side Burner Gas Valve	1	1	59	0830S-059	Grease cup	1	1
25	0830S-025	Regulator, LP	1	1	60	0830S-060	Stationary Caster with Brake	1	1
26	0830S-026	Control panel	1	1	61	0830S-061	Stationary Caster	1	1
27	0830S-027	Bezel	1	4	62a	0830S-062a	NG Gas Hose with Quick connector assembly	sold separately	
28	0830S-028	Main control knob	1	4	62b	0830S-062b	NG regulator assembly	sold separately as set with #62	1
29M	0830S-029M	Sear burner Control Knob	1	1	62c	0830S-062c	Truss Head Screw with Lock		2
29S	0830S-029S	Side shelf	1	1	62d	0830S-062d	Flat Washer		2
30	0830S-030	Side shelf control panel	1	1	62e	0830S-062e	6mm Wrench		1
31	0830S-031	Sear burner cooking grid	1	1	62f	0830S-062f	6mm Nut Driver		1
32	0830S-032	Sear burner	1	1	63	0830S-063	NG orifice pack (Sear burner NG orifice (1.9mm))	1	1
33	0830S-033	Sear burner igniter wire	1	1	64		KD Hardware pack	1	1
34	0830S-034	Sear Burner Lid Hinge Rod	1	2	65		Manual	1	1
35	0830S-035	Sear Burner Lid Hinge Rod Pin	1	2	66				

Listado de las piezas del Modelo 122.33492413

No.	Part No.	PIEZA (Descripción)	Cobertura por garantía (Anual)	Cant.	No.	Part No.	PIEZA (Descripción)	Cobertura por garantía (Anual)	Cant.
1	0830S-001	Tapa principal	1	1	36	0830S-036	Pasador de barra de la bisagra de la tapa del mechero de marcado	1	1
2	0830S-002	Tornillo de la tapa principal	1	2	37	0830S-037	Ensamble de la cuba del mechero de marcado	1	1
3	0830S-003	Mango de la tapa principal	1	1	38	0830S-038	Bandeja para grasa del mechero de marcado	1	1
4	0830S-004A	Medidor de temperatura	1	1	39	0830S-039	Tapa del mechero de marcado	1	1
5	0830S-005	Logotipo	1	1	40	0830S-040	Panel de control del mechero de marcado	1	1
6	0830S-006	Panel trasero, parte superior	1	1	41	0830S-041	Arandelas aislantes de goma	1	1
7	0830S-007	Domador de llama	1	4	42	0830S-042	Panel lateral, lado izquierdo	1	1
8	0830S-008	Mechero principal	10	4	43	0830S-043	Rueda giratoria con freno	1	1
9	0830S-009	Montaje del perno del quemador	1	4	44	0830S-044	Rueda giratoria	1	1
10	0830S-010	Cable A del encendedor del mechero principal	1	1	45	0830S-045	Marco del carro, frente	1	1
11	0830S-011	Cable B del encendedor del mechero principal	1	1	46	0830S-046	Panel trasero, parte inferior	1	1
12	0830S-012	Cable C del encendedor del mechero principal	1	1	47	0830S-047	Panel inferior	1	1
13	0830S-013	Cable D del encendedor del mechero principal	1	1	48	0830S-048	Perno del tanque	1	1
14	0830S-014	Plataforma calentadora	1	1	49	0830S-049	Panel lateral, lado derecho	1	1
15	0830S-015	Rejilla de cocción con agujeros	1	2	50	0830S-050	Abrazadera triangular izquierda	1	1
16	0830S-016	Tope de la cubierta	1	2	51	0830S-051	Abrazadera triangular derecha	1	2
17	0830S-017	Ensamble de la cuba del mechero principal	No reemplazable		52	0830S-052	Imán para la puerta	1	1
18	0830S-018	Compuerta delantera	1	1	53	0830S-053	Moldura del panel inferior	1	1
19	0830S-019	Módulo del encendedor electrónico	1	1	54	0830S-054	Pieza de la puerta de hierro	1	1
20	0830S-020	Válvula de gas principal	1	4	55	0830S-055	Varilla de encendido	1	2
21	0830S-021	Línea de gas flexible para el mechero lateral	1	1	56	0830S-056	Mango de la puerta	1	1
22	0830S-022	Colector principal	1	1	57	0830S-057	Puerta, lado derecho	1	1
23	0830S-023	Cable de empalme del encendedor	1	1	58	0830S-058A	Puerta, lado izquierdo	1	1
24	0830S-024	Válvula de gas del mechero lateral	1	1	59	0830S-059	Bandeja para grasa	1	1
25	0830S-025	Regulator, LP	1	1	60	0830S-060	Recipiente para grasa	1	1
26	0830S-026	Regulador, del propano líquido	1	1	61	0830S-061	Ensamble del regulador de gas natural	1	1
27	0830S-027	Panel de control	1	4	62a	0830S-062a	Manguera de gas natural con ensamble del conector rápido	Se vende por separado como conjunto	
28	0830S-028	Bisel	1	4	62b	0830S-062b	Tornillo de cabeza ovalada con bloqueo	se vende por separado como conjunto con n° 62	1
29M	0830S-029M	Perilla del quemador central izquierdo del asador	1	1	62c	0830S-062c	Arandela plana		2
29S	0830S-029S	Perilla del quemador izquierdo del asador	1	1	62d	0830S-062d	Llave inglesa de 6 mm		2
30	0830S-030	Estante lateral	1	1	62e	0830S-062e	Rueda estacionaria		1
31	0830S-031	Panel de control del estante lateral	1	1	62f	0830S-062f	Rueda estacionario con freno		1
32	0830S-032	Parrilla del mechero de marcado	1	1	63	0830S-063	Mechero de marcado NG orificio (1.9mm)	1	1
33	0830S-033	Mechero de marcado	1	1	64		Paquete de equipos	1	1
34	0830S-034	Cable de encendedor del mechero de marcado	1	2	65		Manual	1	1
35	0830S-035	Varilla de la bisagra de la tapa del mechero de marcado	1	2	66				

Kenmore®

Customer Care Hotline

To schedule in-home repair service
or order replacement parts

Para pedir servicio de reparación
a domicilio, y ordenar piezas

1-844-553-6667

www.kenmore.com

