



# FRIGIDAIRE

## Factory Parts Catalog

Product No.	LFMV164QFA
Market	North America
Color	stainless steel
Volts	120
Watts	1000
Wiring Diagram	316495069
Owner's Guide	316902416
Installation Instructions	316495063

### **Frigidaire**

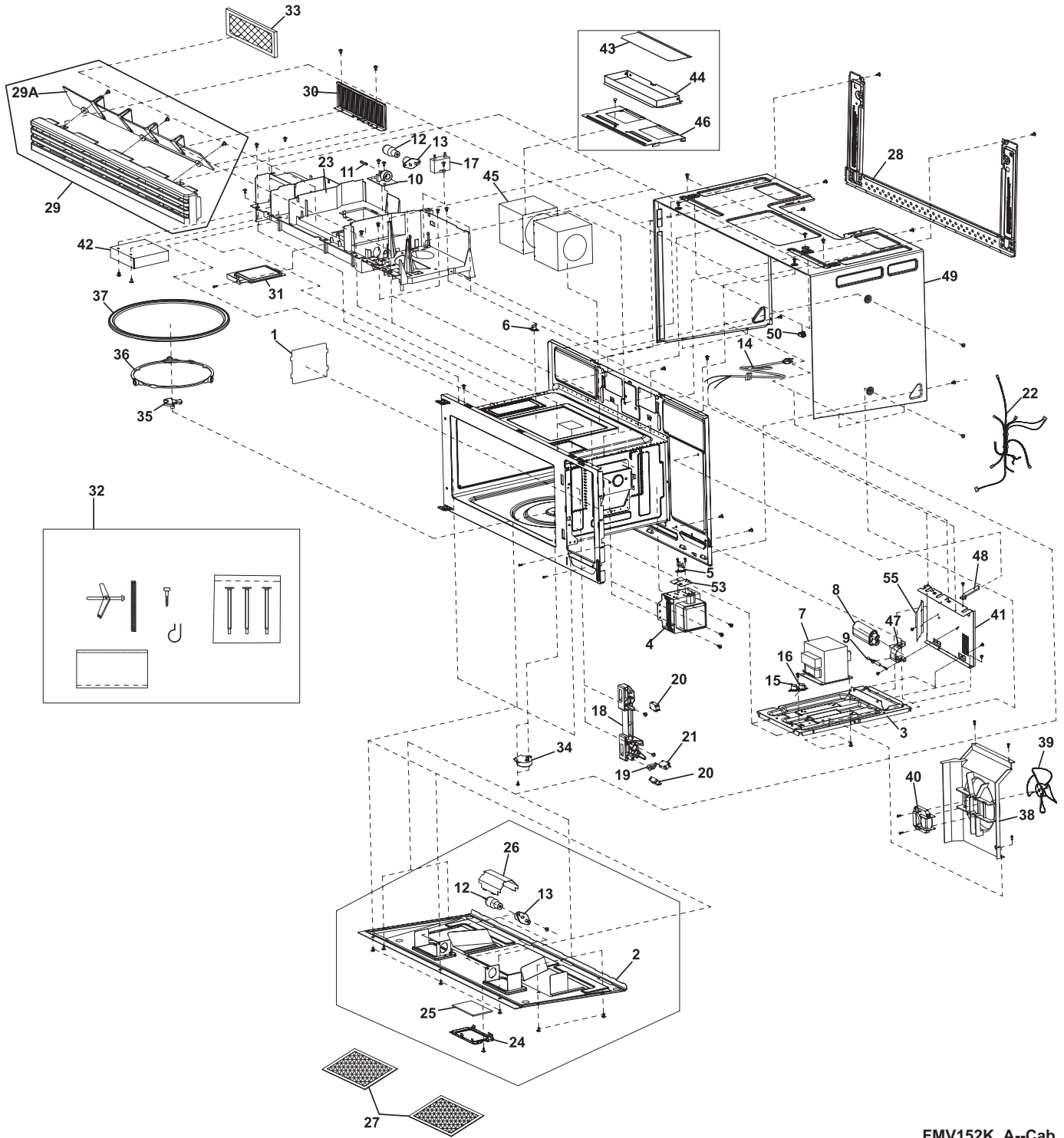
P.O. BOX 8020  
CHARLOTTE, NC 28262

Publication No.  
**5995653796**  
14/11/13  
(EN/SERVICE/KC)  
099

### **OVER-RANGE MICROWAVE**

Model No.  
LFMV164Q

OVEN, CABINET

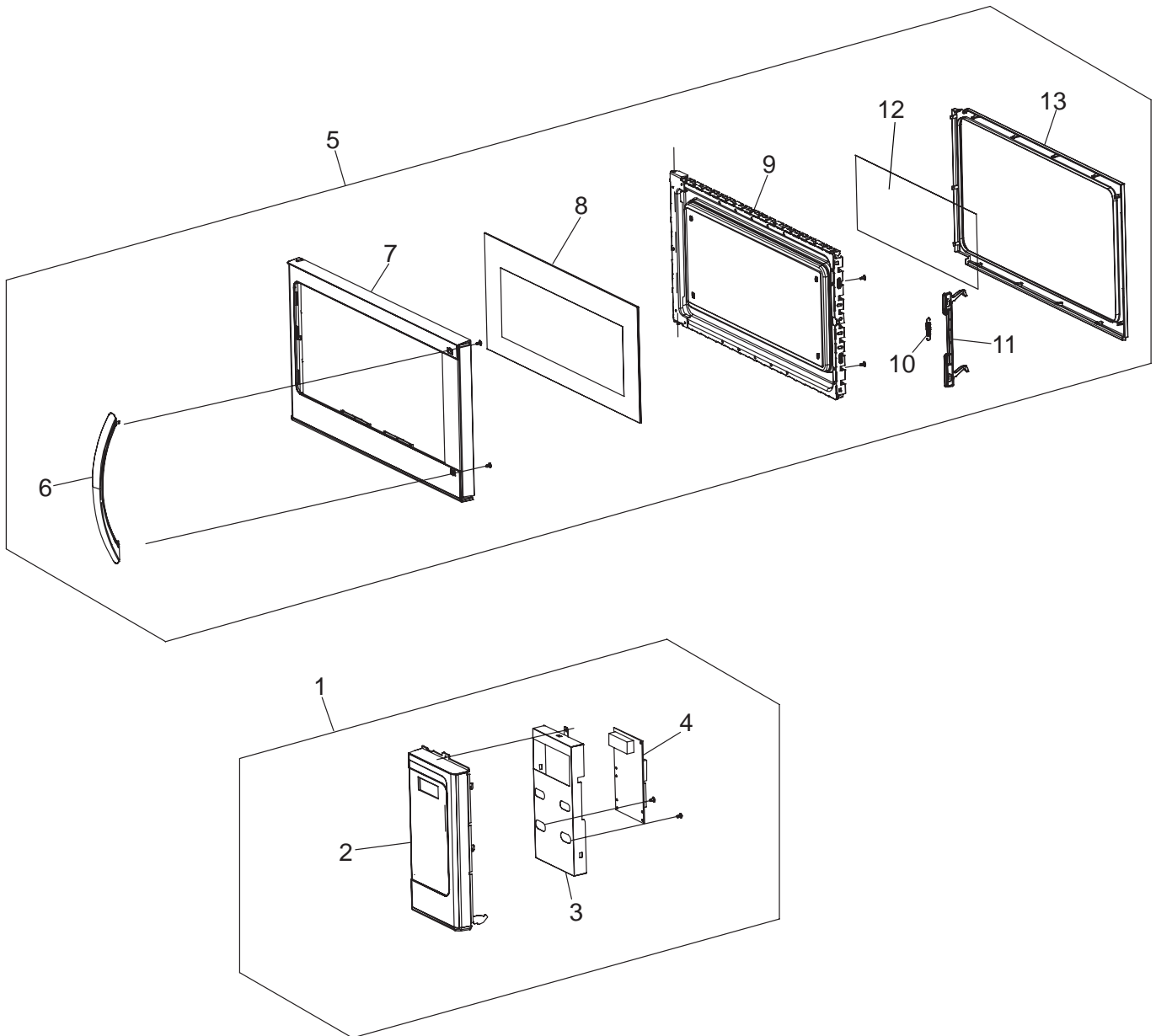


FMV152K\_A--Cab

**OVEN,CABINET**

POS. NO	PART NO.	DESCRIPTION
1	5304464061	Cover, waveguide
2	5304472476	Cover, unit base
3	5304464063	Base, transformer, right side
4 #	5304464072	Magnetron
5 #	5304464073	Thermostat
6 #	5304464074	Thermostat, cutout, oven cavity
7 #	5304464075	Transformer, power, HV
8 #	5304464253	Capacitor, high voltage
9 #	5304472472	Diode, high voltage
10 #	5304472447	Filter, noise, electronic
11 #	5304464087	Fuse
12	5304464090	Lamp, light bulb
13 #	5304464091	Lampholder, socket
14 #	5304464092	Power Cord, electric
15 #	5304464093	Thermostat, cutout, transformer
16 #	5304464094	Thermostat, cutout, vent motor
17 #	5304464095	Capacitor, start
18	5304464096	Latch Hook
19 #	5304464097	Lever, switch
20 #	5304464099	Switch, interlock
21 #	5304464098	Switch, monitor
22 #	5304464100	Wiring Harness, main
23	5304464101	Duct, air
24	5304464102	Frame, lens holder
25	5304464103	Lens, cooktop lamp, glass
26	5304464104	Cover, lamp
27 #	5304464105	Filter, grease, 5" X 7 1/2"
28	5304464255	Plate, mounting, rear
29	5304499545	Grille, exhaust, stainless
29A	5304472495	Louver, vent
30	5304464256	Cover, control shield, right
31	5304464111	Cover, lamp, oven cavity
32	5304492620	Mounting Kit, with templates
33 #	5304464577	Filter, charcoal, 2" X 10"
34 #	5304464113	Motor, turntable
35	5304472494	Coupler, turntable/motor
36	5304464115	Support, turntable ring
37	5304464116	Turntable, tray, glass
38	5304464117	Duct, cooling fan
39 #	5304464257	Fan Blade, cooling fan
40 #	5304464118	Motor, cooling fan
41	5304472451	Duct, hood intake, right side
42	5304472452	Vent, air outlet
43	5304464119	Damper, door, exhaust adapter
44	5304464120	Frame, damper housing, exhaust adapter
45 #	5304464121	Motor, hood/vent fan
46	5304472453	Cover, vent motor
47	5304464123	Retainer, capacitor strap
48	5304464124	Spacer
49	5304472455	Cabinet, outer casing, black
50	5304464598	Mounting Nut Kit
53	5304472439	Bracket, thermostat
55	5304472454	Vent, air, magnetron
*	5304472496	Screw Kit, black

**CONTROL PANEL,DOOR,MISC.**



FFMV162L-door

**CONTROL PANEL,DOOR,MISC.**

---

POS. NO	PART NO.	DESCRIPTION
1 #	5304499541	Control Assembly, black/stnls
2 #	5304499542	Control Panel, w/membrane, SS
3	5304464065	Panel, control mount, bracket
4 #	5304477390	Control Board, printed circuit
5	5304499543	Door Assembly, stainless
6	5304477401	Handle Assembly, door, stainless
7	5304499544	Panel, outer door, stainless steel
8	5304464067	Panel, glass, black, outer door
9	5304472444	Panel, inner door, black
10	5304464069	Spring, door latch
11 #	5304477389	Latch, door
12	5304474405	Seal, door, mylar film
13	5304464071	Choke Cover, inner door

WIRING DIAGRAM

**SCHEMATIC**  
 NOTE: CONDITION OF OVEN  
 1. DOOR CLOSED.  
 2. CLOCK APPEARS ON DISPLAY.

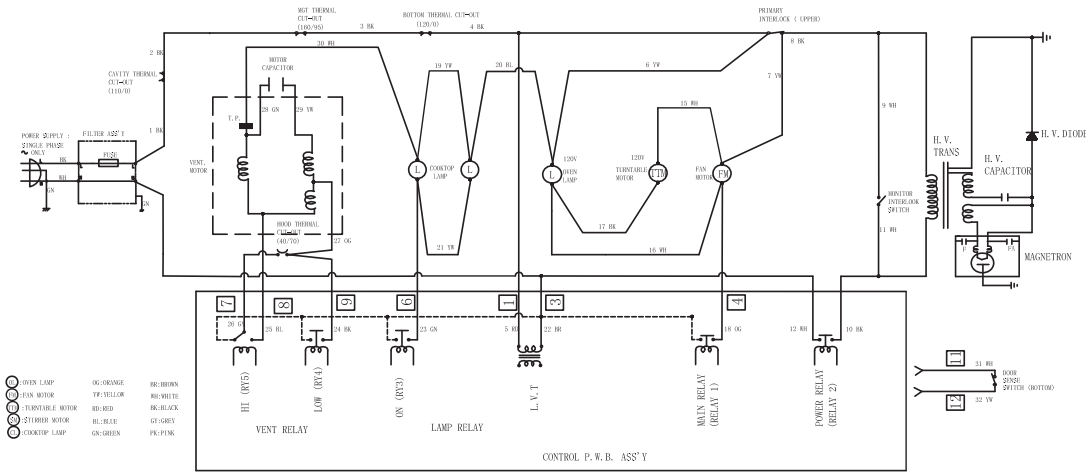


Figure O-1. Oven Schematic-O Condition

**SCHEMATIC**  
 NOTE: CONDITION OF OVEN  
 1. DOOR CLOSED.  
 2. COOKING TIME PROGRAMMED.  
 3. VARIABLE COOKING CONTROL "HIGH".

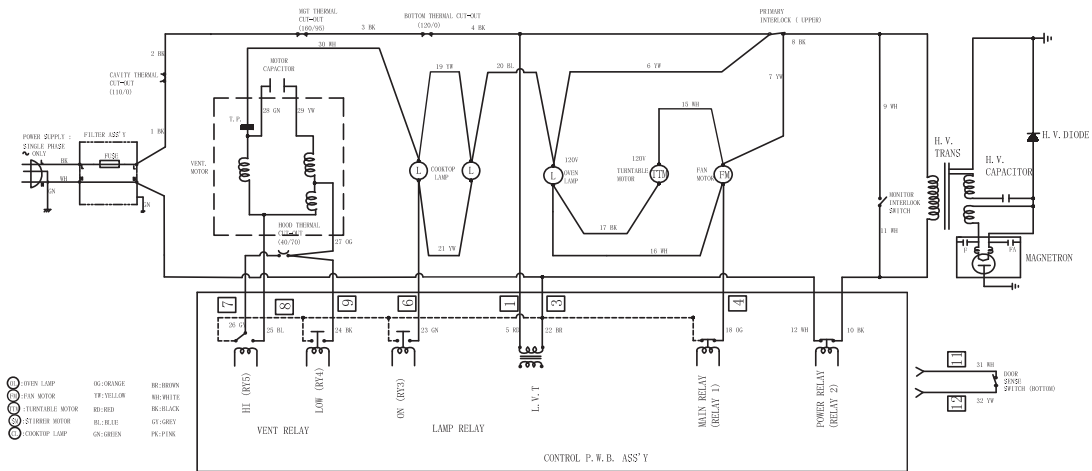


Figure O-2. Oven Schematic-Cooking Condition

FFMV162L-SCH