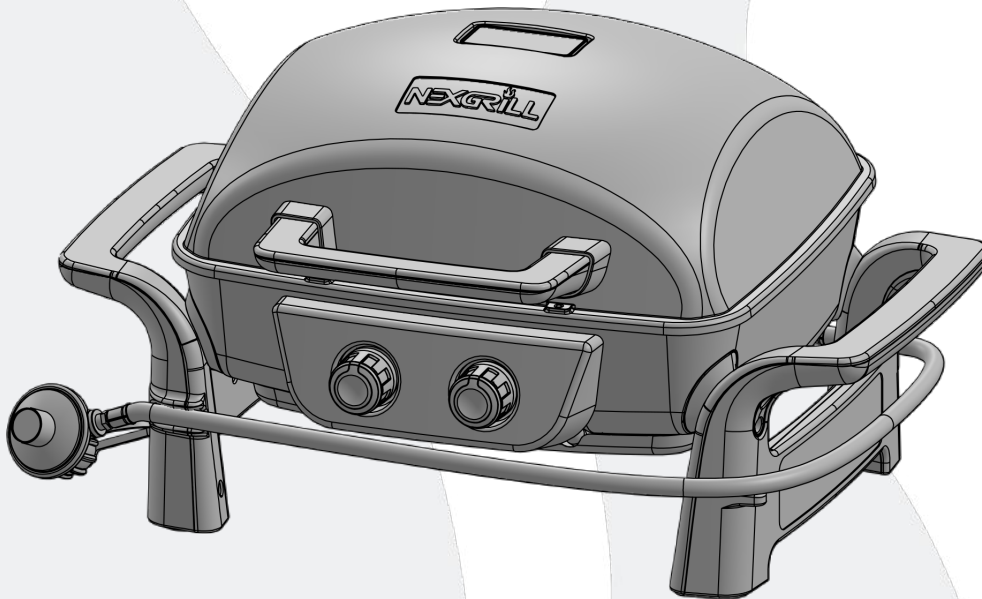




OWNER'S MANUAL  
MANUEL D'UTILISATION  
MANUAL DEL PROPIETARIO

## FORTRESS™/MC/MR 2.0

2-BURNER CAST ALUMINUM TABLETOP GAS GRILL  
BARBECUE DE TABLE AU GAZ EN ALUMINIUM À 2 BRÛLEURS POUR L'EXTÉRIEUR  
PARRILLA DE GAS PORTÁTIL DE ALUMINIO FUNDIDO CON 2 QUEMADORES



FOR OUTDOOR USE ONLY. NOT FOR COMMERCIAL USE.

UTILISER À L'EXTÉRIEUR UNIQUEMENT.  
NE PAS UTILISER À DES FINS COMMERCIALES.

PARA USO AL AIRE LIBRE SOLAMENTE.  
NO PARA USO COMERCIAL.

ITM. / ART. 1902307

Model/Modèle/Modelo: 820-0072



- This instruction manual contains important information necessary for the proper assembly and safe use of the appliance.
- Read and follow all warnings and instructions before assembling and using the appliance.
- Follow all warnings and instructions when using the appliance.
- Keep this manual for future reference.
- Cette notice contient des renseignements importants permettant un assemblage adéquat et à une utilisation sécuritaire de l'appareil.
- Lire et suivre toutes les mises en garde et toutes les instructions avant l'assemblage et l'utilisation de l'appareil.
- Suivre toutes les mises en garde et toutes les instructions lors de l'utilisation de l'appareil.
- Conservez cette notice pour consultation ultérieure.
- Este manual de instrucciones contiene información importante necesaria para el correcto montaje y el uso seguro del aparato.
- Lea y siga todas las advertencias e instrucciones antes de ensamblar y usar el aparato.
- Siga todas las advertencias e instrucciones al usar el aparato.
- Conserve este manual para futuras referencias.

# TABLE OF CONTENTS / TABLE DES MATIÈRES / TABLA DE CONTENIDOS

EN

Important Safety Information.....	1
Parts List .....	3
Assembly Instructions .....	4
Connection Instructions.....	8
Operating Instructions .....	11
Care and Maintenance .....	13
Warranty.....	16
Replacement Parts .....	17
Troubleshooting.....	18

FR

Mises en garde importantes.....	19
Liste des pièces.....	21
Instructions d'assemblage.....	22
Instructions de raccordement.....	26
Instructions d'utilisation .....	29
Entretien et nettoyage.....	31
Énoncé de garantie .....	34
Liste des pièces de rechange .....	35
Dépannage .....	36

ES

Información de seguridad importante.....	37
Lista de partes.....	39
Instrucciones de montaje.....	40
Instrucciones de conexiones.....	44
Instrucciones de funcionamiento.....	47
Cuidado y mantenimiento.....	49
Garantía .....	52
Lista de piezas de reemplazo.....	53
Solucion de problemas.....	54

## IMPORTANT SAFETY INFORMATION

**DANGER: If you smell gas:**

1. Shut off gas to the appliance.
2. Extinguish any open flame.
3. Open lid.
4. If odor continues, keep away from the appliance and immediately call your gas supplier or local fire department.

**DANGER**

1. Never operate this appliance unattended.
2. Never operate this appliance within 3.05 m (10 ft) of any structure, combustible material or other gas cylinder.
3. Never operate this appliance within 7.62 m (25 ft) of any flammable liquid.
4. This appliance is not intended for and should never be used as a heater.
5. If a fire should occur, keep away from the appliance and immediately call your fire department. Do not attempt to extinguish an oil or grease fire with water.

**FAILURE TO FOLLOW THESE INSTRUCTIONS COULD RESULT IN FIRE, EXPLOSION OR BURN HAZARD, WHICH COULD CAUSE PROPERTY DAMAGE, PERSONAL INJURY OR DEATH.**

**CALIFORNIA RESIDENTS ONLY - WARNING:**

This product and the fuels used to operate this product (liquid propane), and the products of combustion of such fuels, can expose you to chemicals including benzene, which is known to the State of California to cause cancer and reproductive harm.

For more information, go to: [www.P65Warnings.ca.gov](http://www.P65Warnings.ca.gov).

# IMPORTANT SAFETY INFORMATION

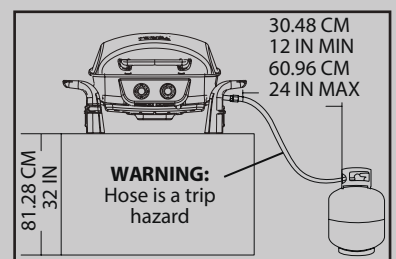
Read the following instructions carefully before attempting to assemble, operate or install the product. Failure to follow these instructions may result in serious bodily injury and/or property damage. If you have questions regarding the product, please call our customer service department at: 1-866-984-7455 (USA), 1-800-648-5864 (Canada), or 1-909-718-1945 (International). Languages spoken: English, French, and Spanish 8 a.m.-5 p.m. PST Monday-Friday. You can also reach us by email at: CostcoService@grillservices.com.

LP gas supply cylinder to be used must be constructed and marked in accordance with the specifications for LP gas cylinders of the U.S. Department of Transportation (DOT) or the National Standard of Canada, CAN-B339, Cylinders, Spheres and Tubes for the Transportation of Dangerous Goods.



1. The installation must conform with local codes or, in the absence of local codes, with the National Fuel Gas Codes, the National Fuel Gas Code, ANSI Z223.1/NFPA 54, Storage and Handling of Liquefied Petroleum Gases, ANSI/NFPA 58, or the Standard for Recreational Vehicles, ANSI A119.2/NFPA 1192, and the Recreational Vehicle Code, CSA Z240 RV, as applicable.
2. Tabletop grill is for outdoor use only. Grill should be operated in a well-ventilated space. Never operate in an enclosed space, garage or building. Your grill is not intended to be installed in or on recreational vehicles and/or boats.
3. Heated liquids remain at scalding temperatures long after the cooking process. Do not touch the cooking appliance until liquids have cooled to 46.11 °C (115 °F) or lower.
4. Do not install or use grill within 91.44 cm (36 in) of combustible materials from back and sides of grill. Grill shall not be located under overhead surfaces (closed carport, garage, porch, patio) that can catch fire.
5. Never attempt to attach this grill to the self-contained LP gas system of a camper trailer or motor home.
6. It is the responsibility of the assembler/owner to assemble, install and maintain gas grill. Do not let children and pets operate or play near your tabletop grill. Failure to follow these instructions could result in serious personal injury and/or property damage.
7. Always open lid before lighting grill. When grill is not in use, close the LP gas cylinder valve.
8. Carefully follow instructions in this manual for proper assembly and leak-testing of your grill. Do not use grill until leak checked. If leak is detected at any time, it must be stopped and corrected before using grill further.
9. Appliance area should be kept clear and free from combustible materials, gasoline, bottled gas in any form and other flammable vapours and liquids. Do not obstruct flow of combustion and ventilation air.
10. Never try to light grill with lid closed! Buildup of gases is very dangerous and could cause an explosion.
11. Keep any electrical cord or fuel supply hose away from heated surfaces.
12. Propane is a flammable gas and improper handling may result in explosion and/or fire and serious accident or injury.
13. This appliance will be hot during and after use. Use insulated oven mitts or gloves for protection from hot surfaces or splatter from cooking liquids.
14. Do not leave your grill unattended while in operation.
15. Do not use while under the influence of drugs or alcohol.
16. Do not store any spare LP (propane) cylinder, full or empty, under or near your grill.
17. Appliance is not intended for commercial use or rental.
18. The cylinder must be disconnected when the appliance is not in use.

- Operate the grill only on a tabletop, no higher than 81.28 cm (32 in) and no lower than 60.96 cm (24 in).
- Place the propane tank on the ground adjacent to the tabletop and with a minimum clearance of 30.48 cm (12 in) and no further than 60.96 cm (24 in) from the grill.
- Failure to follow these instructions could cause the propane tank to overheat and vent propane, which could ignite, causing serious personal injuries or property damage and/or a tripping hazard over the gas hose or propane tank, pulling the grill off the tabletop, causing serious personal injuries or property damage.



## OUTDOOR GRILL SAFETY

**THE FUEL SYSTEM:** Gas grills are used safely by millions of people when following simple safety precautions.

The items in the fuel system are designed for operation with this grill. They must not be replaced with any other brand. (See parts list for replacement items.)

**GAS BURNER:** The gas burner is constructed of stainless steel and should not require maintenance other than inspection for insects/nests inside the air intake slots.

**LP GAS REGULATOR CAUTION:** The gas pressure regulator provided with this appliance must be used. This regulator is equipped with the required orifice and is set for the required outlet pressure for this appliance. This combination of orifice size and pressure regulation specifications provides the intended cooking performance.

**FUEL SUPPLY HOSE:** The hose-connected regulator provided with this appliance is 91.44 cm (3 ft) length. Keep the fuel hose away from any heated surface(s).

**PROPANE FUEL WARNING:**

Propane is a flammable gas. Improper handling may result in an explosion and/or fire and serious accident or injury. Your grill is designed to operate with propane (LP) gas only and is equipped with the proper orifice for propane gas.

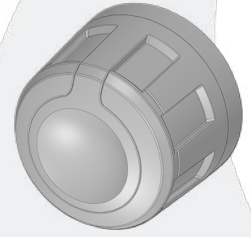
**CAUTION:** Do not connect this grill with any gas supply other than propane. Propane gas is heavier than air and settles in lower areas. Make certain adequate ventilation is available when using your grill. The gas cylinder must only be stored outside in a well-ventilated area out of the reach of children when the grill is not in use.

# PARTS LIST

**A**



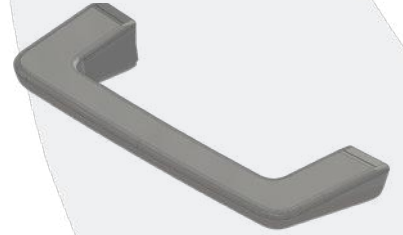
**Bx2**



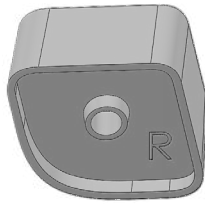
**Cx2**



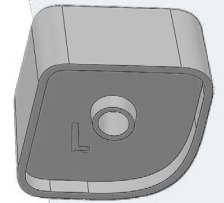
**D**



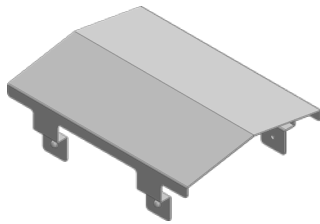
**E**



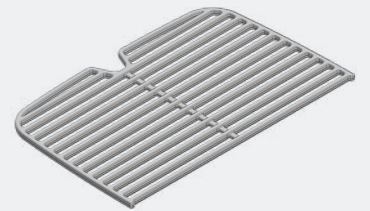
**F**



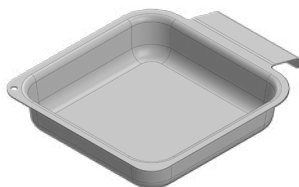
**G**



**Hx2**



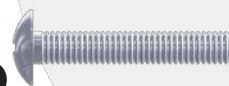
**I**



**Jx8**



**Kx2**



**Lx2**





### PREPARATION

Before beginning assembly, installation or operation of product, make sure all parts are present and undamaged. Compare parts with package contents list and diagram above. If any part is missing or damaged, do not attempt to assemble, install or operate the product. Contact customer service for replacement parts.

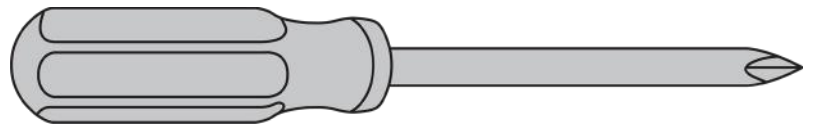
**READ ALL SAFETY WARNINGS, ASSEMBLY AND INSTALLATION INSTRUCTIONS CAREFULLY BEFORE ATTEMPTING TO ASSEMBLE.**

## ASSEMBLY INSTRUCTIONS



**QUESTIONS, PROBLEMS, MISSING PARTS?** Before returning to your retailer, call our Customer Service Department at: 1-866-984-7455 (USA), 1-800-648-5864 (Canada), or 1-909-718-1945 (International) from 8 a.m. to 5 p.m. PST Monday-Friday. Languages spoken: English, Spanish and French. You can also reach us by email at: [CostcoService@grillservices.com](mailto:CostcoService@grillservices.com).

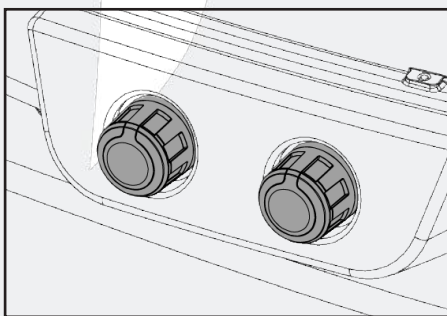
### TOOLS NEEDED (NOT INCLUDED)



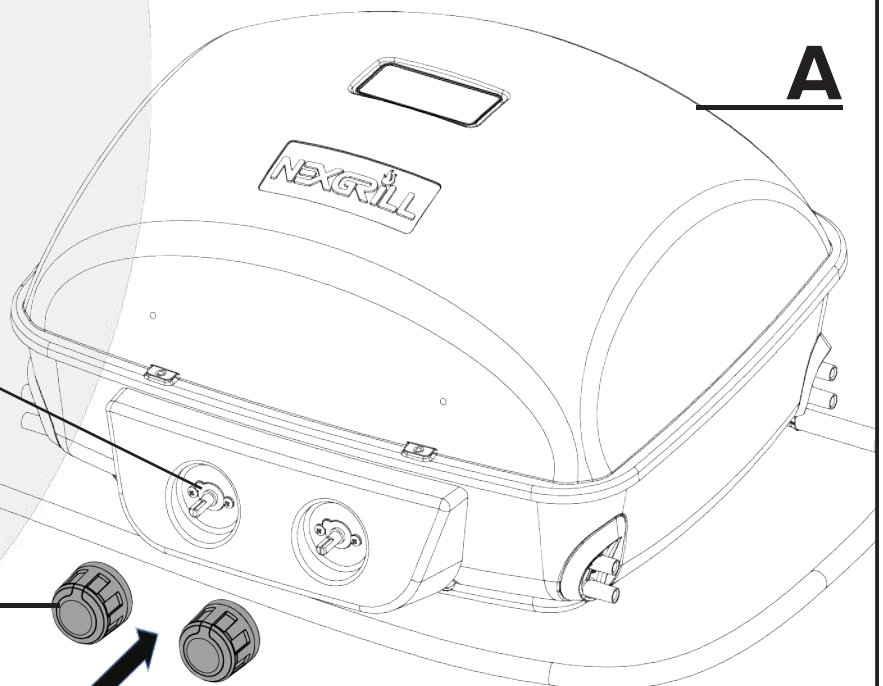
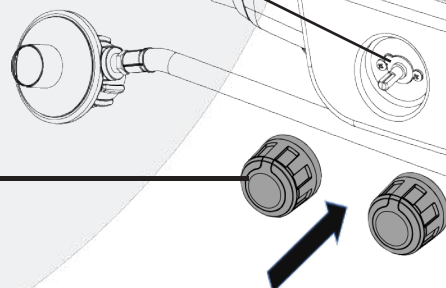
Phillips head screwdriver

### ASSEMBLY STEPS

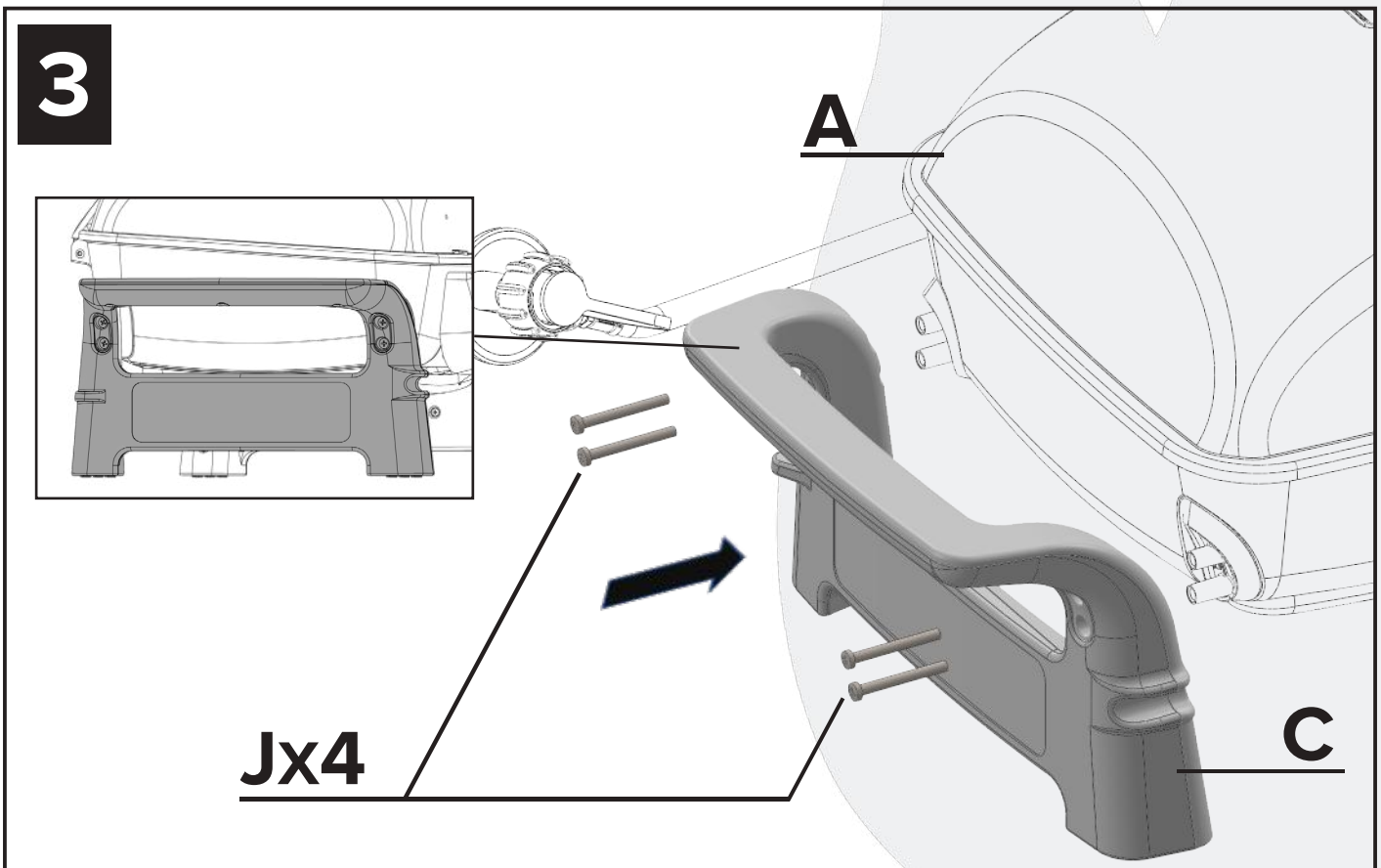
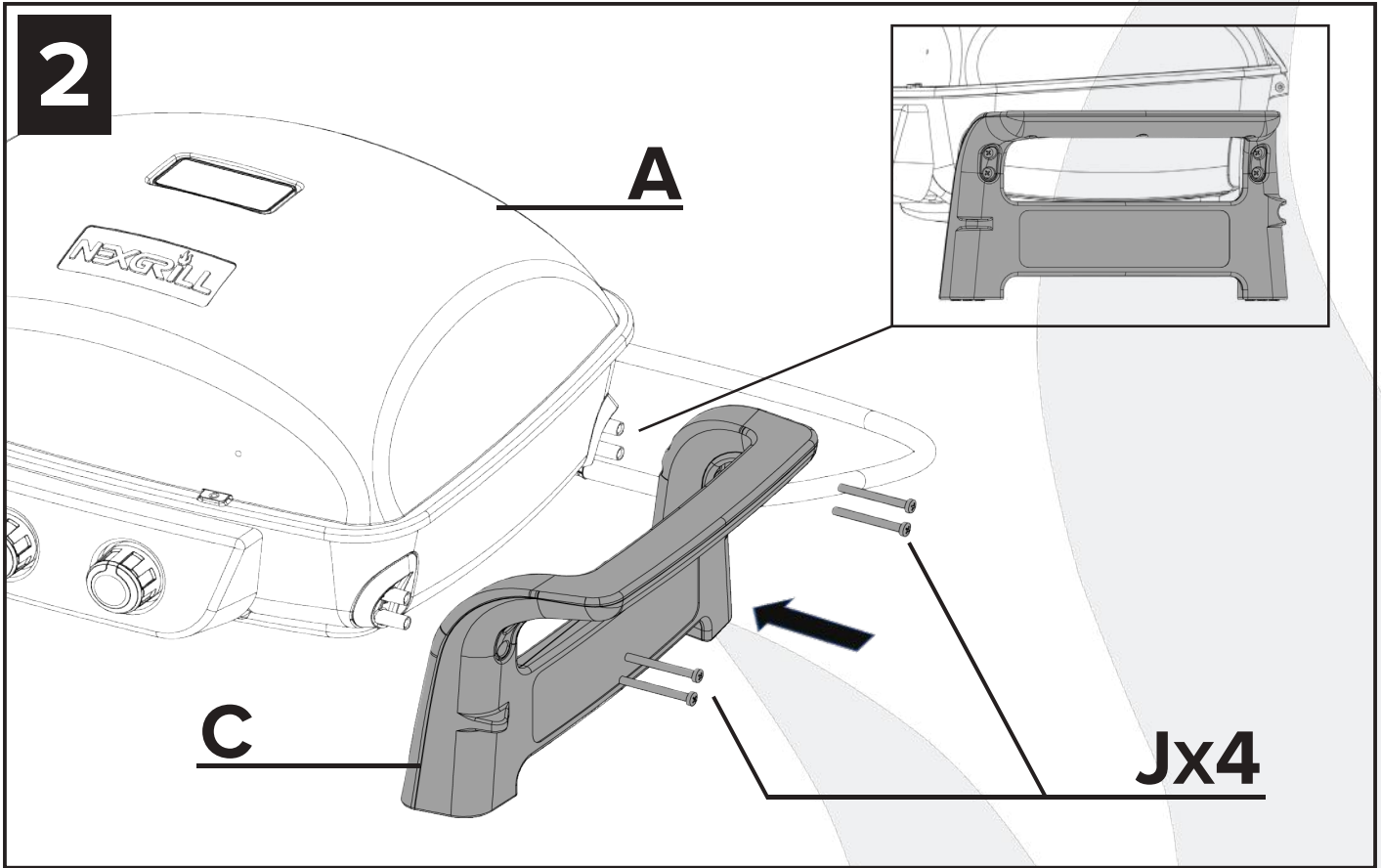
**1**

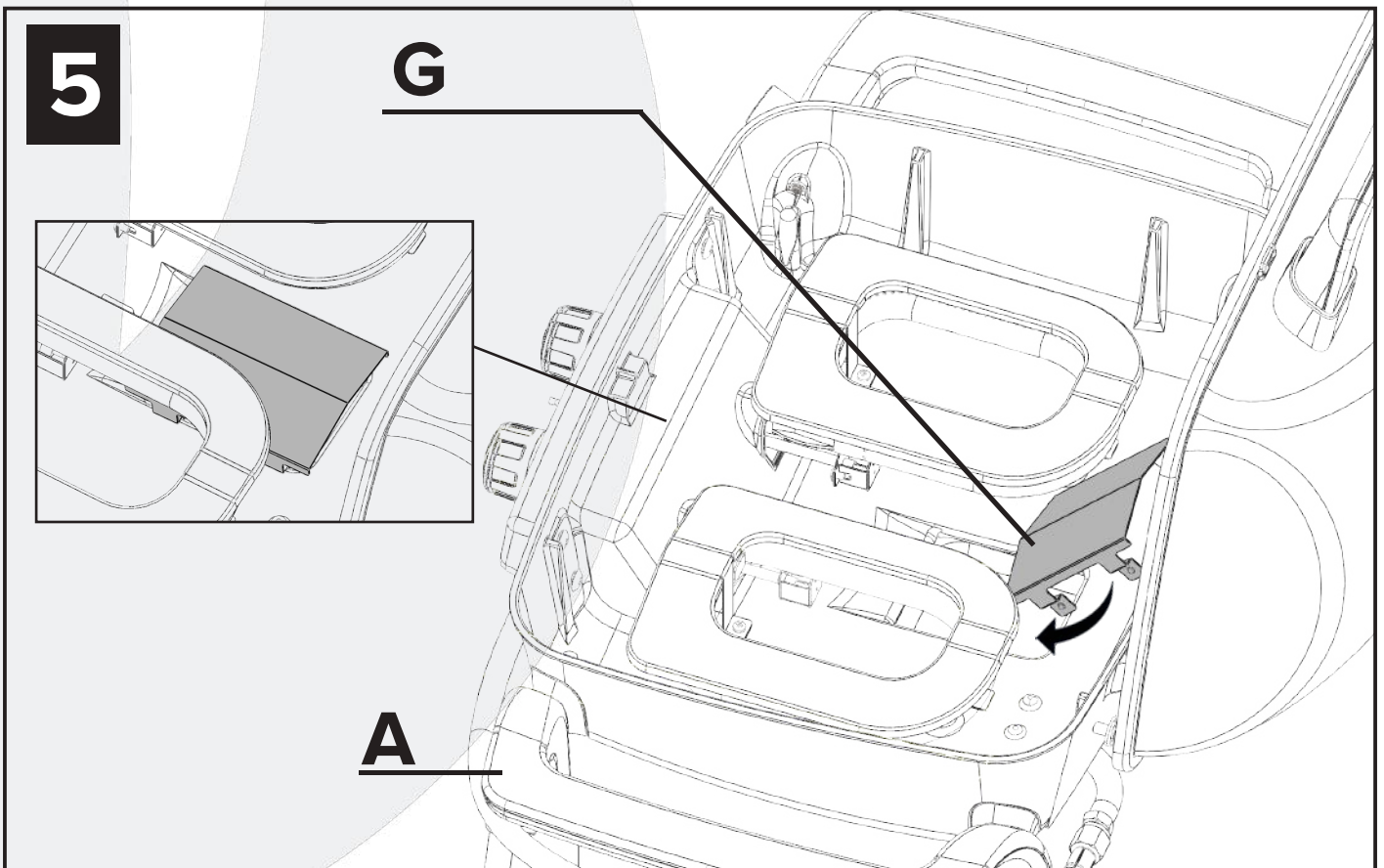
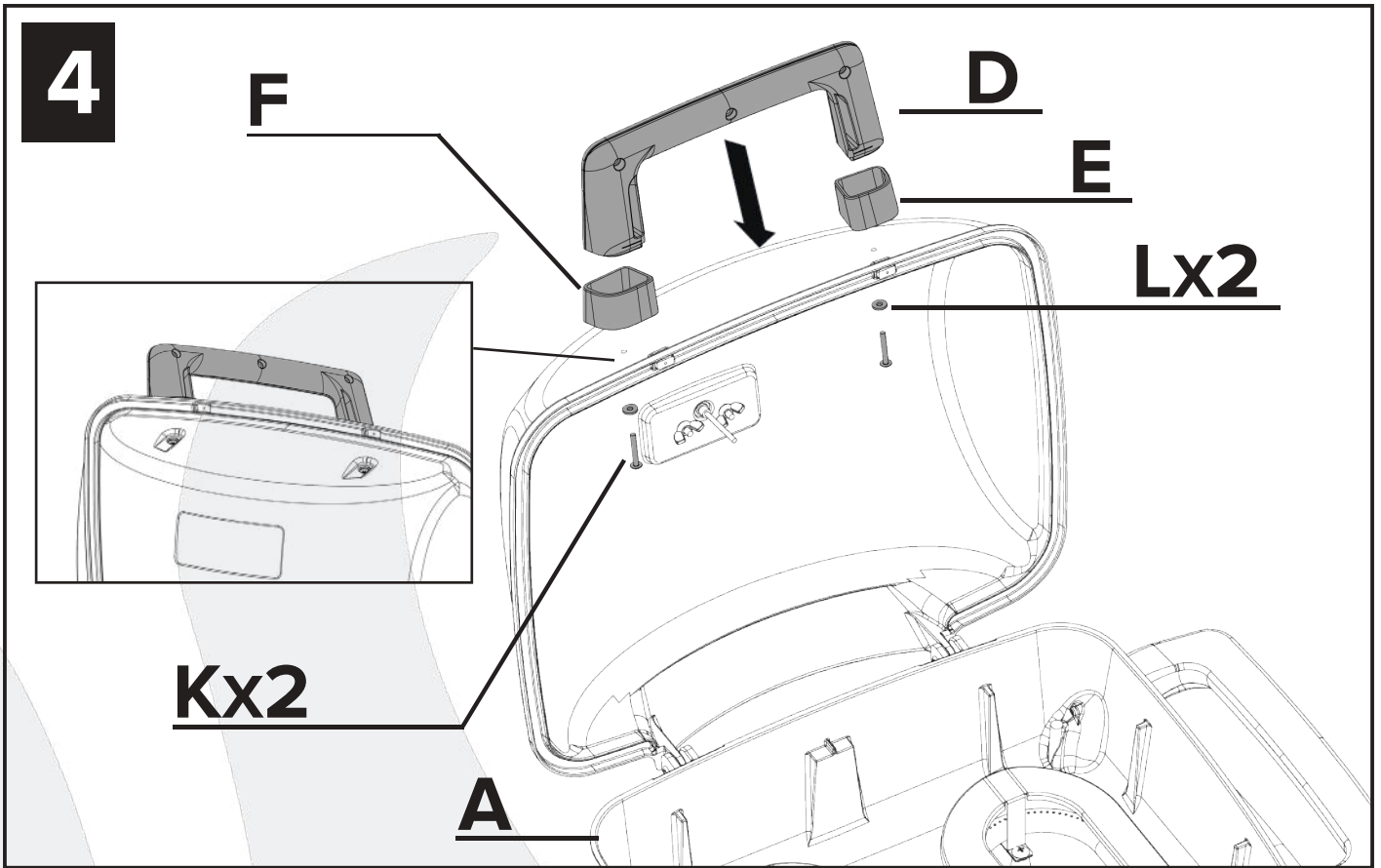


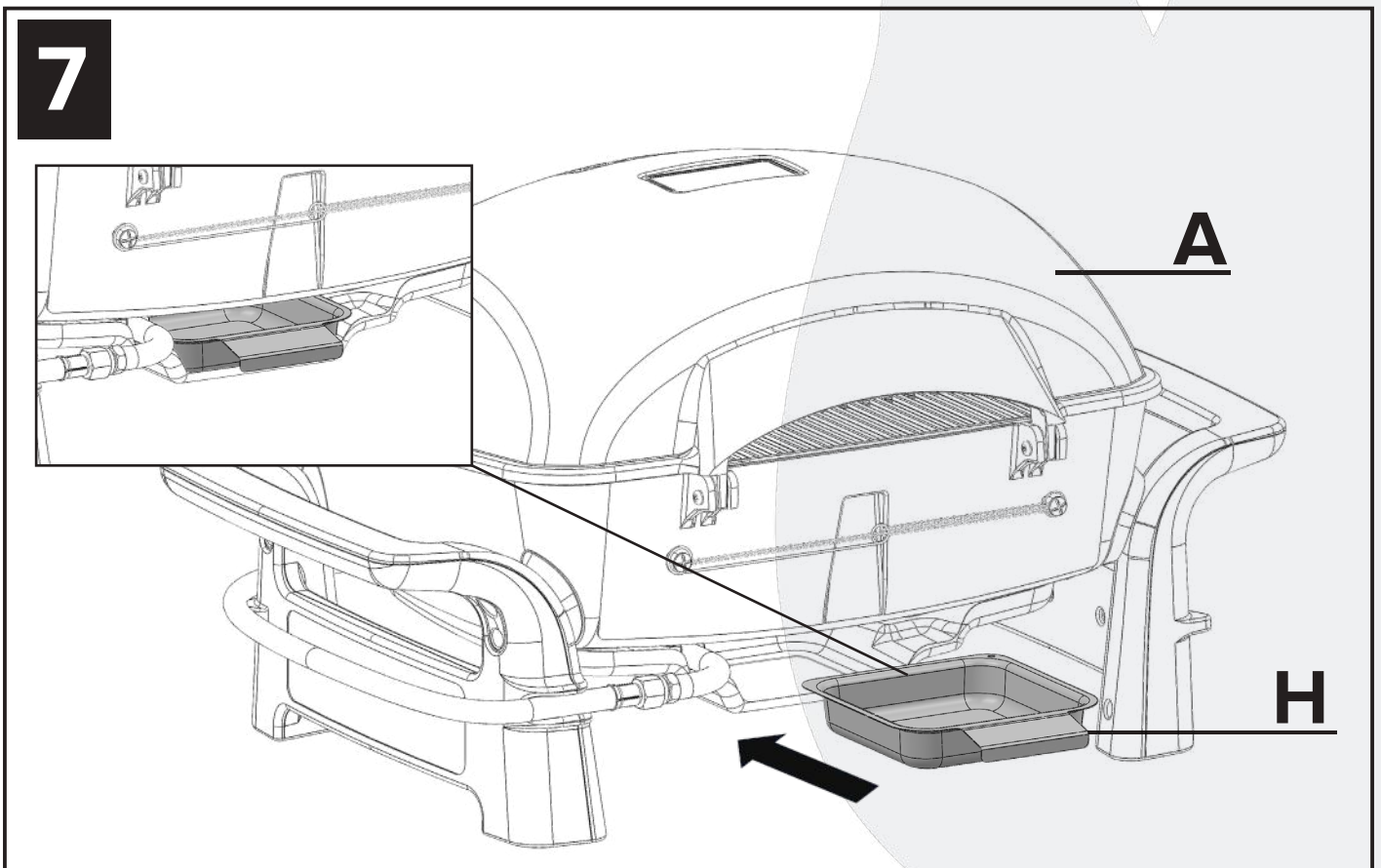
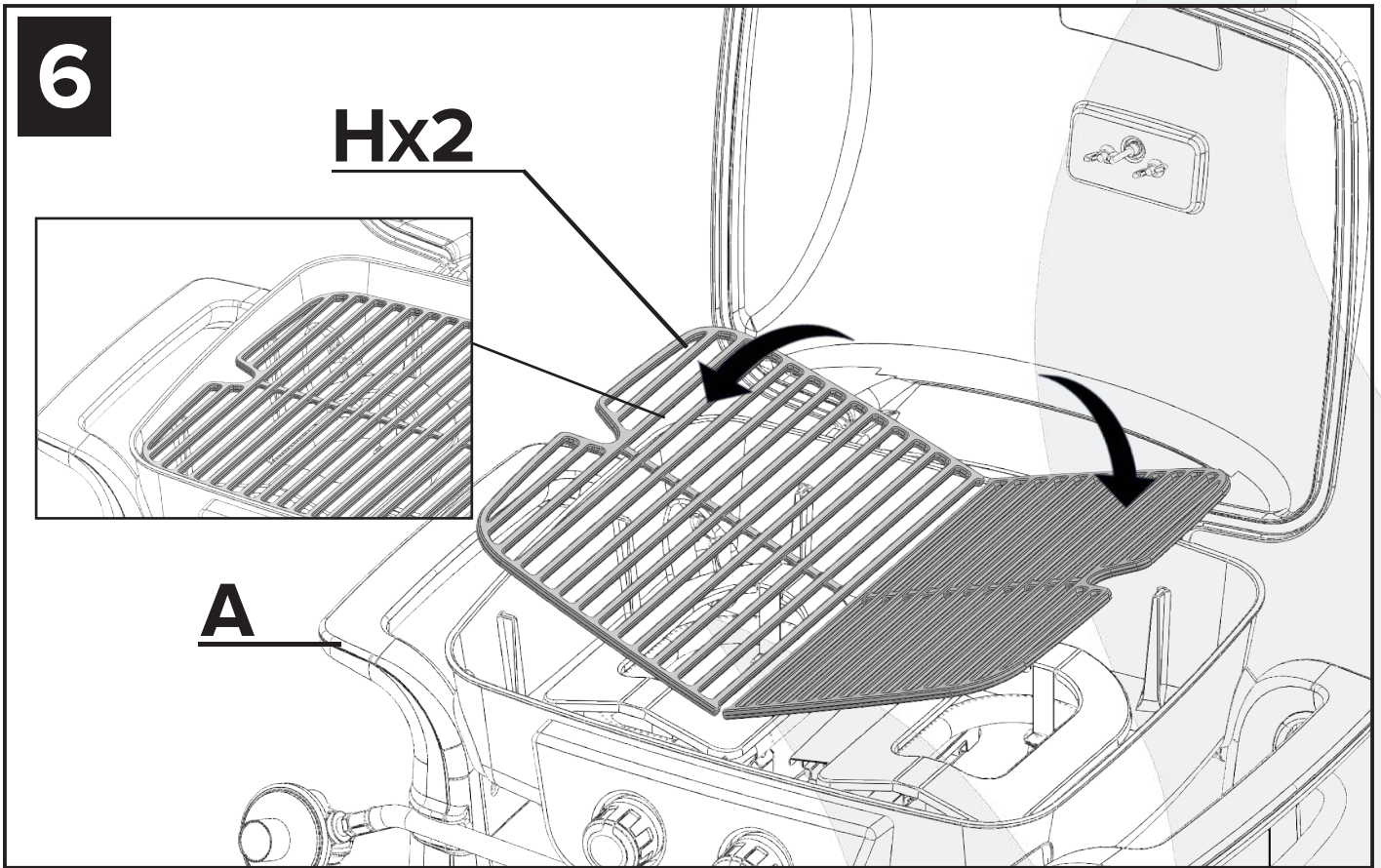
**Bx2**













# CONNECTION INSTRUCTIONS

## GAS HOOK-UP

Only the pressure regulator and hose assembly supplied with the grill should be used. Any replacement pressure regulator and hose assembly must be specified by the grill manufacturer. This grill is configured for liquid propane. Do not use a natural gas supply.

Total gas consumption (per hour) with all burners set on "HIGH":

<b>EACH BURNER</b>	<b>6,750 BTU/HR</b>
<b>TOTAL</b>	<b>13,500 BTU/HR</b>

The installation of this appliance must conform with local codes or, in the absence of local codes, with either the National Fuel Gas Code, ANSI Z223.1/NFPA 54, National Gas Propane Installation Code, CSA B149.1, or Propane Storage and Handling Code, B149.2, or the Standard for Recreation Vehicles, ANSI A119.2/NFPA 1192, and CSA Z240 RV Series, Recreation Vehicle Code, as applicable.

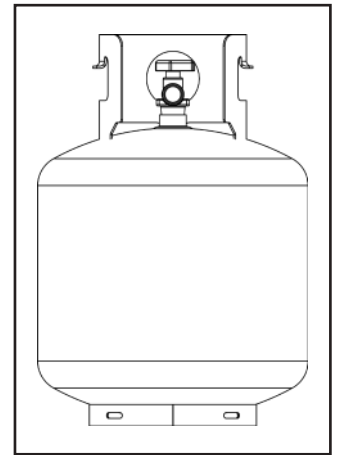
## LIQUID PROPANE CYLINDER REQUIREMENTS

A dented or rusty liquid propane cylinder may be hazardous and should be checked by your supplier. Never use a cylinder with a damaged valve. The liquid propane cylinder must be constructed and marked in accordance with the specifications for liquid propane cylinders by the United States Department of Transportation (DOT) or the National Standard of Canada, CAN/CSA-B339, Cylinders, Spheres and Tubes for Transportation of Dangerous Goods Commission. The 9 kg (20 lb) cylinder must have a shut-off valve terminating in a valve outlet specified, as applicable, for connection type QCC1 in the standard for compressed gas cylinder valve outlet and inlet connection ANSI/CGA-V-1.

Storage of an outdoor cooking gas appliance indoors is permissible only if the cylinder is disconnected and removed from the outdoor cooking gas appliance. The cylinder system must be arranged for vapour withdrawal. The cylinder must include a collar to protect the cylinder valve. Manifold pressure: (operating) 27.9 cm (11 in) water column, (non-operating) 28.4 cm (11.2 in) water column.

The liquid propane cylinder must be fitted with an overfill protection device (OPD).

If fitted, remove the plastic valve cover from the liquid propane cylinder. Make sure the grill's gas hose does not contact the grease pan or grill firebox when the liquid propane cylinder is positioned.



9 KG (20 LB) CYLINDER

## CONNECTING THE LIQUID PROPANE CYLINDER



### WARNING:

**NEVER ATTEMPT TO USE DAMAGED OR OBSTRUCTED EQUIPMENT. SEE YOUR LOCAL LIQUID PROPANE DEALER FOR REPAIR.**

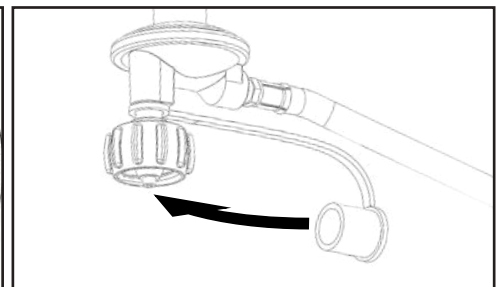
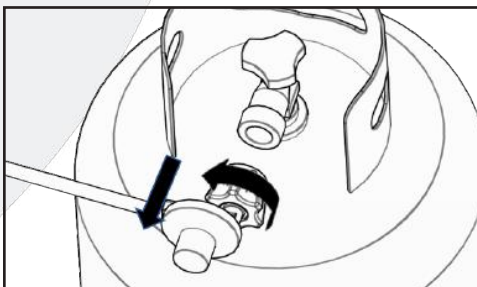
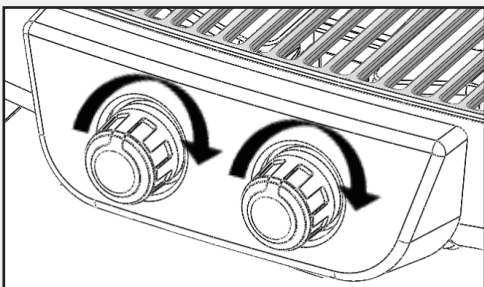
## REPLACING THE LIQUID PROPANE CYLINDER

Turn the grill burner knobs clockwise to "OFF" (O) and make sure the grill is cool.

Turn the liquid propane cylinder valve to the CLOSED position by turning clockwise until it stops.

Detach the regulator assembly from the cylinder valve by turning the quick-coupling nut counterclockwise. Cover the regulator connector with the protective plug.

Place dust cap on cylinder valve outlet whenever the cylinder is not in use. Only install the type of dust cap on the cylinder valve outlet that is provided with the cylinder valve. Other types of caps or plugs may result in leakage of propane.



# LEAK TEST



## WARNING:

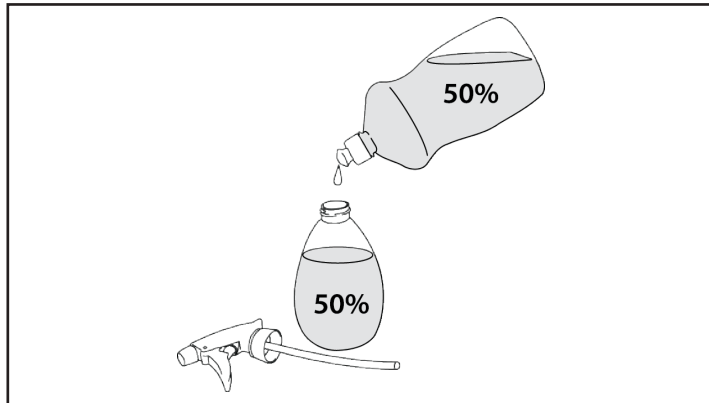
**CHECK ALL GAS SUPPLY FITTINGS FOR LEAKS BEFORE EACH USE. DO NOT USE THE GRILL UNTIL ALL CONNECTIONS HAVE BEEN CHECKED AND DO NOT LEAK. DO NOT SMOKE WHILE LEAK-TESTING. NEVER LEAK-TEST WITH AN OPEN FLAME.**

## GENERAL

Although gas connections on the grill are leak-tested prior to shipment, a complete leak test must be performed at the installation site. Before each use, check all gas connections for leaks using the procedures listed below. If the smell of gas is detected at any time, you should immediately check the entire system for leaks.

## BEFORE TESTING

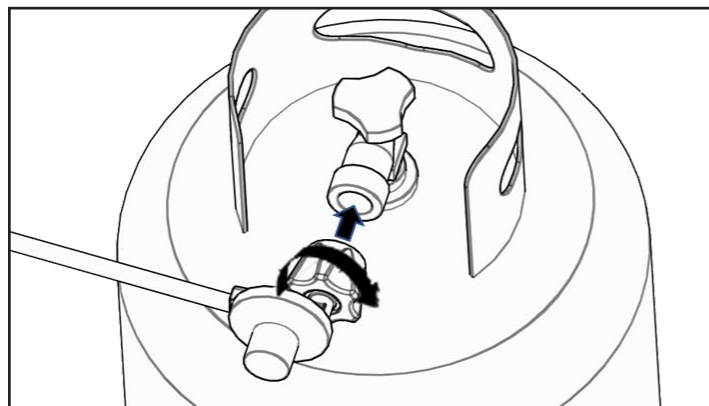
Make sure all packing materials have been removed from the grill, including the burner tie-down straps.



## STEP 1

### CREATE THE SOAPY WATER

Prepare a 50/50 solution of water and ammonia-free dish detergent, to be applied using a spray bottle or brush.



## STEP 2

### CONNECTING THE LIQUID PROPANE CYLINDER

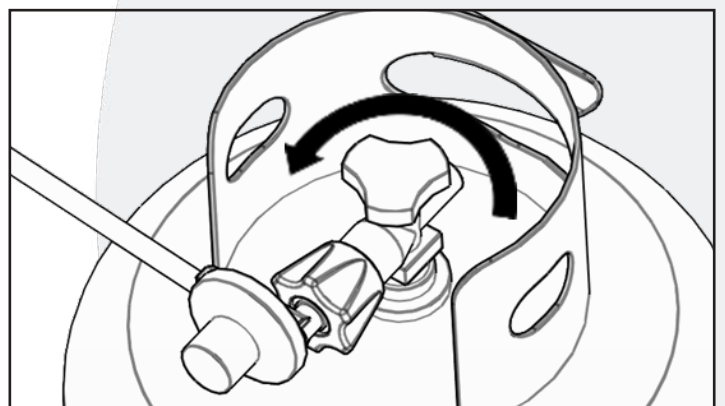
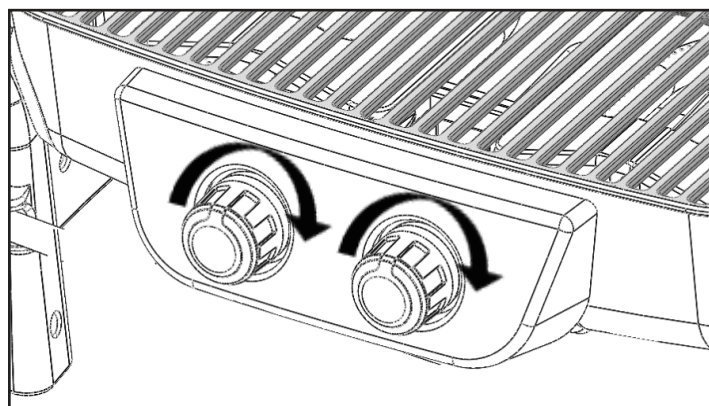
The cylinder valve should be in the CLOSED position. If not, turn the valve clockwise until it stops.

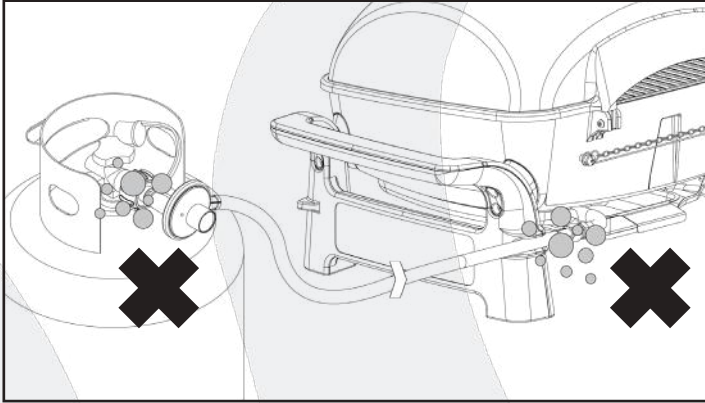
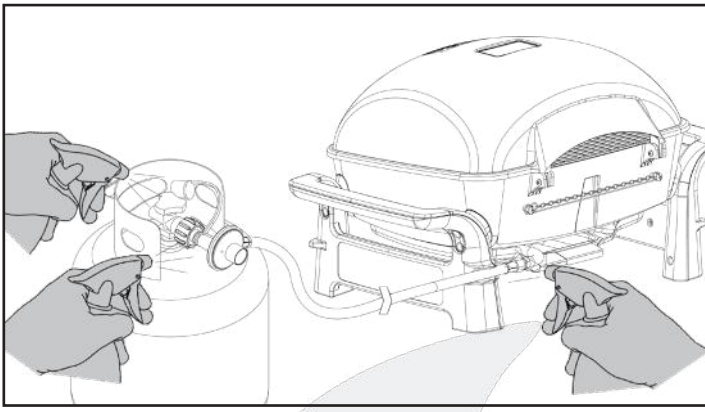
Make sure the cylinder valve has the proper type-1 external male thread connections per latest ANSI Z21.81 standard.

Make sure the burner valves are in the "OFF" (O) position.

Inspect the valve connections and regulator assembly.

Remove debris and inspect the hose for damage. Remove the protective plug from the regulator connector. When connecting the regulator assembly to the valve, use your hand to tighten the nut clockwise until it stops. Use of a wrench could damage the quick-coupling nut and result in a hazardous situation. Open the cylinder valve fully by turning the valve counterclockwise.





## STEP 3

### TO TEST

1. Make sure the burner valves are in the "OFF" (●) position.
2. Turn the liquid propane cylinder valve counterclockwise to open the valve.
3. Apply the soap solution to all gas fittings. Soap bubbles will appear where a leak is present.
4. If a leak is present, immediately turn the liquid propane cylinder valve to the CLOSED position and tighten leaky fittings.
5. Turn the liquid propane cylinder valve back to the OPEN position and recheck.
6. Should the gas continue to leak from any of the fittings, turn the liquid propane cylinder valve to the CLOSED position and contact our Customer Service Department at: 1-866-984-7455 (USA), 1-800-648-5864 (Canada), or 1-909-718-1945 (International). Languages spoken: English, French, and Spanish 8 a.m.-5p.m. PST Monday-Friday. Or email us at: [CostcoService@grillservices.com](mailto:CostcoService@grillservices.com).
7. If there is evidence of excessive abrasion or wear, or the hose is cut, it must be replaced prior to the outdoor cooking gas appliance being put into operation.



#### WARNING:

**DO NOT STORE GRILL INDOORS UNLESS THE CYLINDER IS DISCONNECTED. DO NOT STORE CYLINDER IN A BUILDING, GARAGE, OR ANY OTHER ENCLOSED AREA, AND KEEP OUT OF REACH OF CHILDREN AT ALL TIMES.**

### INSTALLER FINAL CHECK

Maintain specified clearance of 91.44 cm (36 in) from combustible materials and construction.

1. All internal packaging has been removed.
2. The hose and regulator are properly connected to the liquid propane cylinder.
3. The unit has been tested and is free of leaks.
4. The gas supply shutoff valve has been located.



#### WARNING:

1. **THE GRILL AND ITS INDIVIDUAL SHUTOFF VALVE MUST BE DISCONNECTED FROM THE GAS SUPPLY PIPING SYSTEM DURING ANY PRESSURE TESTING OF THAT SYSTEM AT TEST PRESSURE IN EXCESS OF 3.5 KPA (0.5 PSI).**
2. **THE OUTDOOR COOKING GAS APPLIANCE MUST BE ISOLATED FROM THE GAS SUPPLY PIPING SYSTEM BY CLOSING ITS INDIVIDUAL MANUAL SHUTOFF VALVE DURING ANY PRESSURE TESTING OF THE GAS SUPPLY PIPING SYSTEM AT TEST PRESSURE EQUAL TO OR LESS THAN 3.5 KPA (0.5 PSI).**



#### WARNING:

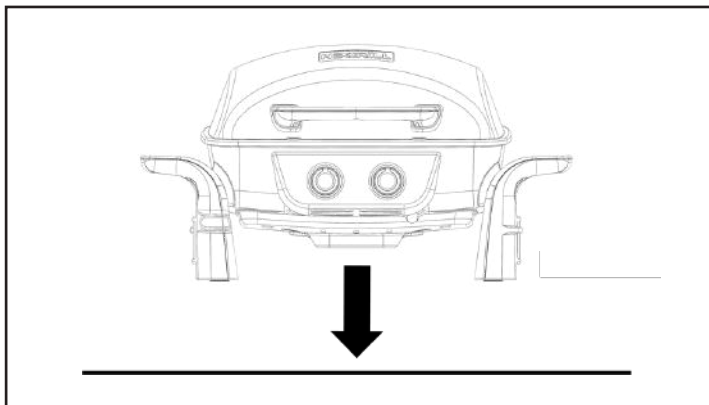
1. **DO NOT STORE SPARE LIQUID PROPANE CYLINDERS UNDER OR NEAR THIS APPLIANCE.**
2. **NEVER FILL THE CYLINDER BEYOND 80 PERCENT CAPACITY.**
3. **IF THE INFORMATION IN ITEMS 1 AND 2 IS NOT FOLLOWED EXACTLY, A FIRE CAUSING DEATH OR SERIOUS INJURY MAY OCCUR.**

# OPERATING INSTRUCTIONS



THIS COOKING APPLIANCE IS FOR OUTDOOR USE ONLY AND SHALL NOT BE USED IN A BUILDING, GARAGE OR ANY OTHER ENCLOSED AREA.

## PREPARING TO LIGHT YOUR GRILL



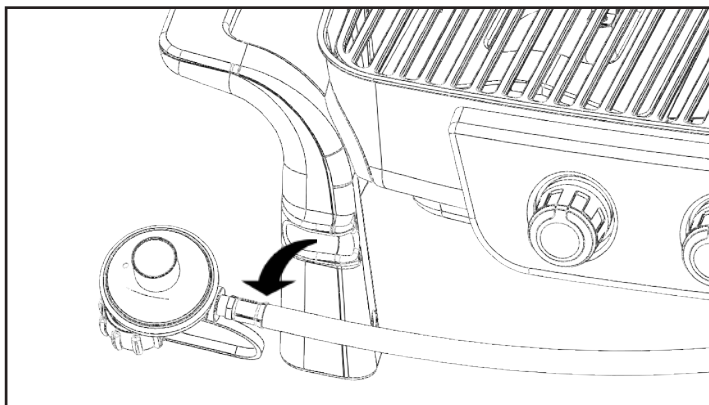
### STEP 1

FIND A LEVEL SURFACE ON WHICH TO PLACE THE GRILL.

### MOVING INSTRUCTIONS

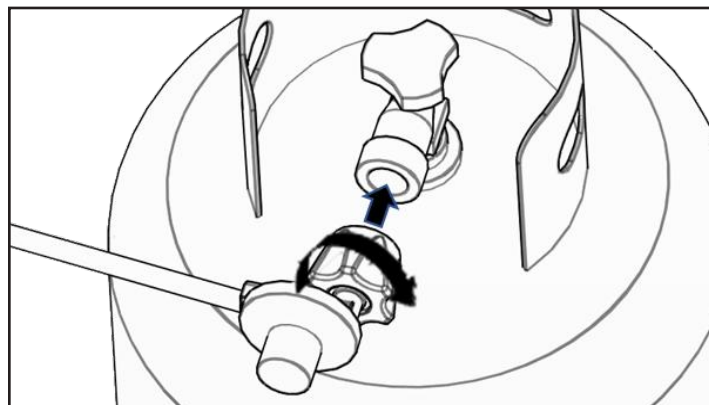
Caution: Never move the grill with burners lit or the grill is still hot. Make sure control knob is in the "OFF" (O) position. Disconnect the propane cylinder from the regulator. Remove the regulator from the propane tank. Be sure the grill has completely cooled for at least 30 minutes. Close the lid. Use the side handles to carry the grill.

**NOTE:** It is best to leave the grease tray in place attached to the bottom of the grill; some grease may continue to drip from drain hole during transport.



### STEP 2

REMOVE HOSE FROM THE CLIPS ON THE FRONT OF THE GRILL.



### STEP 3

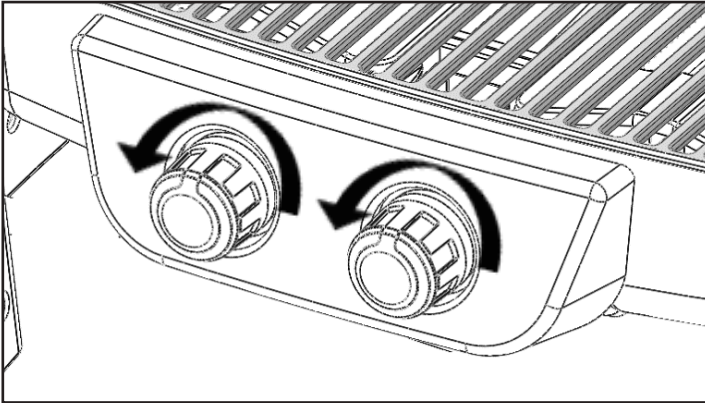
CONNECT TO TANK.





## IMPORTANT - FIRST TIME USE:

It is important that the grill be lit and allowed to heat up for at least 10 minutes before any food is placed on the cooking grid. It is normal for some smoke to appear during the initial operation of the grill. After initial heating, the grill is ready for use. A cooking spray may be used on the cooking grids to allow easier clean up.

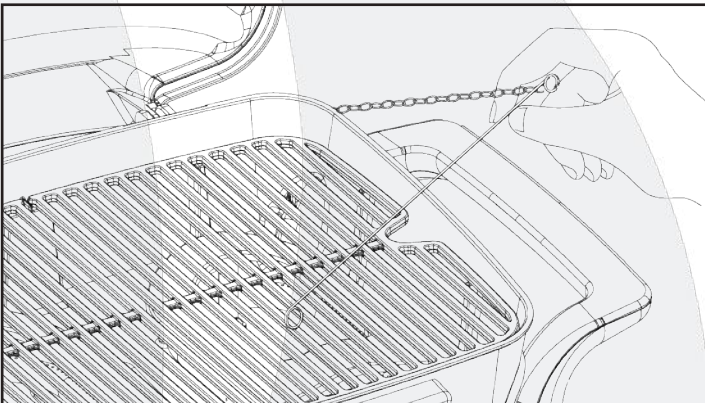


## STEP 4

OPEN THE LID AND TURN KNOB TO IGNITE.



If ignition does not occur within 3-5 seconds, turn the control knob "OFF" (○). Wait 5 minutes before attempting to re-light the grill. If the grill fails to ignite after the second attempt, call our Customer Service Department at: 1-866-984-7455 (USA), 1-800-648-5864 (Canada), or 1-909-718-1945 (International). Languages spoken: English, French, Spanish 8 a.m.-5 p.m. PST Monday-Friday. You can also reach us by email at: [CostcoService@grillservices.com](mailto:CostcoService@grillservices.com) for assistance. With burner lit, gently close the lid and allow the grill to warm up for 5-10 minutes prior to use.



If the knob won't spark, insert a match into the lighting rod. Ignite the match and insert through the cooking grids to the burner.

## USING YOUR GRILL

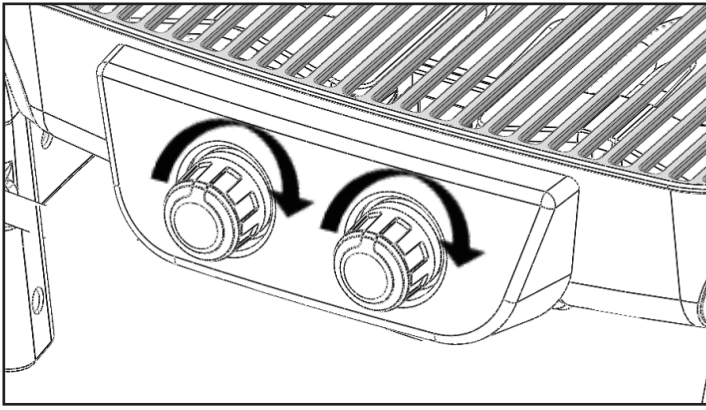


1. Allow the grill to warm up with the lid closed for 5 minutes prior to cooking.
2. You may cook on the grill in any weather. If the ambient temperature is extremely cold or hot, the cooking times will be slightly increased or decreased. Keep the grill out of excessive winds when operating.
3. The cooking times listed below are only suggestions. Cooking times vary depending on thickness of meats and the desired degree of preparation.

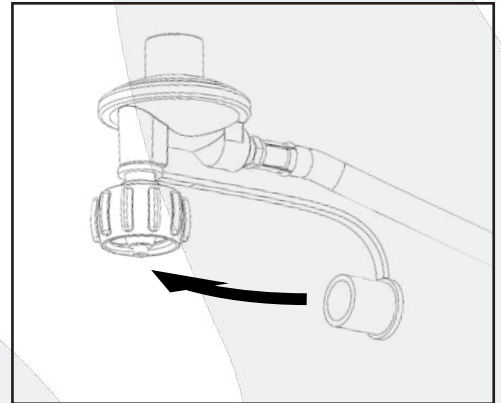
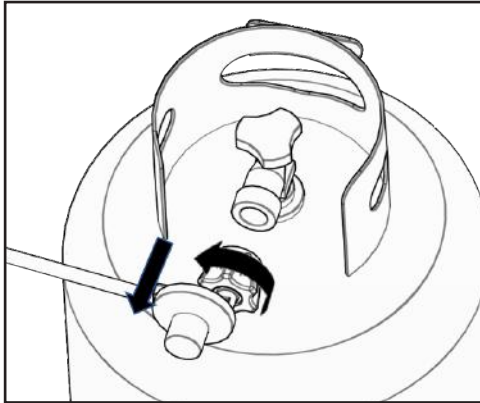
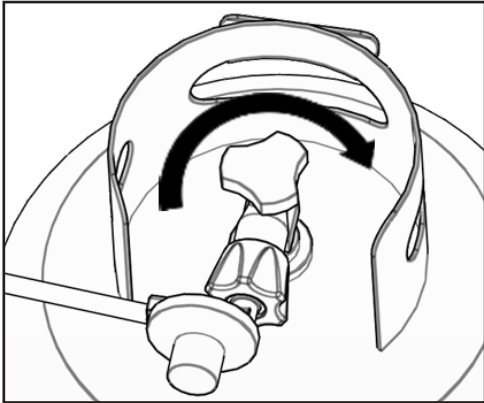


Steak – (T-Bone), thick cut, medium doneness: grill 10 minutes on each side on MED setting.  
Chicken – (Quarters): grill 30 minutes per side on MED setting. Check for doneness.  
Pork – (Ribs/chops): grill 10-20 minutes per side on MED setting. Check for doneness.  
Fish – grill 20-30 minutes on LOW setting.  
Turkey – (Breast): grill 10 minutes per 0.5 kg or per pound or until internal temperature reaches 76 °C (170 °F) on MED setting.

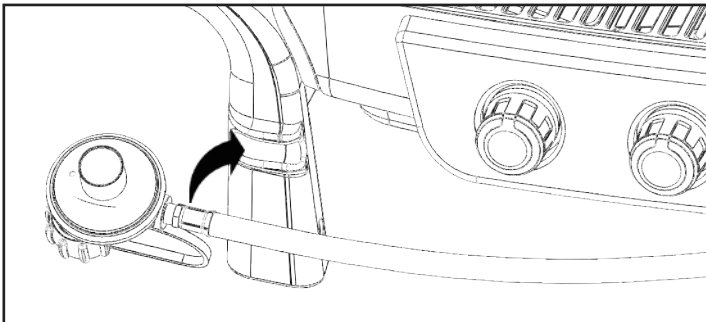
## TURNING OFF YOUR GRILL



1. Turn knob to "OFF" (●) position.
2. Turn the propane cylinder valve to the CLOSED position.  
**CAUTION:** Do not attempt to re-light the grill without following all the lighting instructions.
3. Allow the grill body to cool at least 30 minutes before attempting to move or transport.



## STORAGE AND TRANSPORTATION REQUIREMENTS



Cover the regulator connector with the protective plug and place the hose onto the clips located in front of grill before transporting and storing.

## CARE AND MAINTENANCE

### THERE IS VERY LITTLE CARE AND MAINTENANCE NEEDED.

The tabletop grill is designed and made of materials that will last many years with normal use. Following these instructions will improve the longevity of the grill and quality of cooking. To ensure safe operation of your grill, the area of cooking should always be kept free of combustible materials of any type, such as gasoline or other flammable vapours or liquids.

**OUTSIDE GRILL PARTS:** This is cast aluminum and plastic. It can be cleaned easily with warm soapy water.

**COOKING GRID AND GREASE TRAY:** The cooking grids are made of coated cast iron. They should be scrubbed with a grill brush immediately after cooking, while the grill is still warm. The grease tray can be cleaned easily with warm soapy water.

**CAUTION:** The grease tray must be kept clean and free of heavy buildup for the grill to perform properly and to eliminate flare-ups.

## SPIDER WEB INSPECTION



### NATURAL HAZARD • SPIDERS AND OTHER INSECTS

**FACT:** Sometimes spiders and other small insects climb into the burner tube. The spiders spin webs, build nests and lay eggs. The webs or nests can be very small, but they are very strong and can block the flow of gas, causing an unsafe situation. Clean burner prior to use after storing, at the beginning of grilling season or after a period of one month not being used.

## WHEN TO LOOK FOR SPIDERS

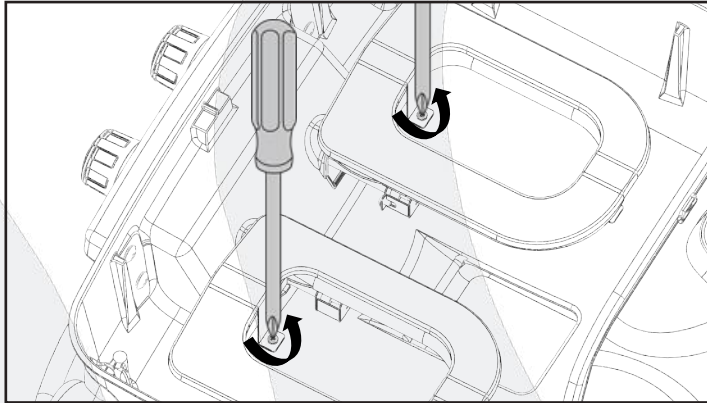
You should inspect the burners at least twice a year or immediately after any of the following conditions occur:

1. Gas can be smelled in conjunction with burner flames appearing yellow.
2. The grill does not reach temperature.
3. The grill heats unevenly.
4. The burners make popping noises.

## CLEANING

**BURNERS** – Extreme care should be taken when removing and replacing a burner. It must be correctly centred on the orifice before any attempt is made to relight the grill. Frequency of cleaning will depend on how often you use the grill.

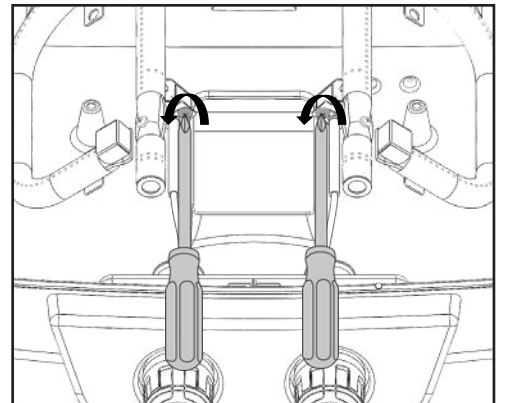
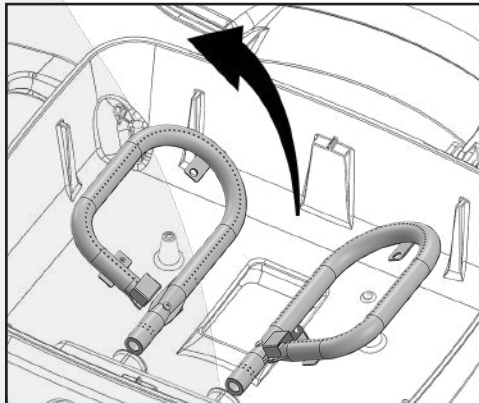
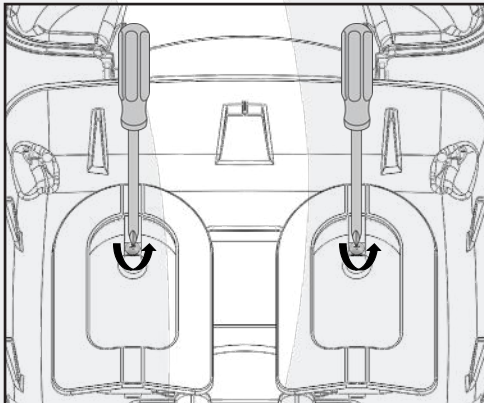
Failure to properly place the burner over the orifice could cause a fire to occur behind and beneath the valve panel, thereby damaging the grill and making it unsafe to operate. Before cleaning, make sure the gas supply is CLOSED and control knobs are in the "OFF" (O) position and the burners have cooled. Disconnect the hose and regulator from the gas cylinder.



### STEP 1

To remove the burners for cleaning:

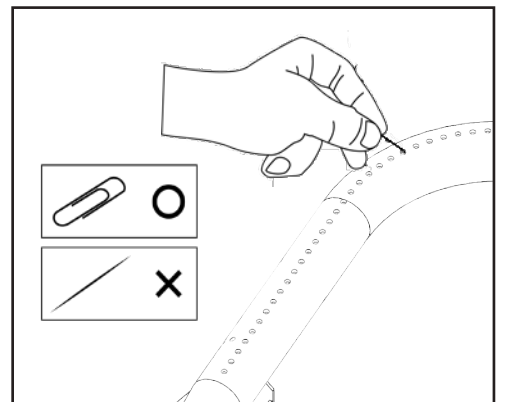
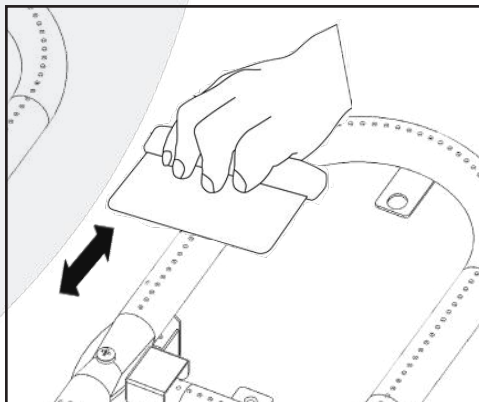
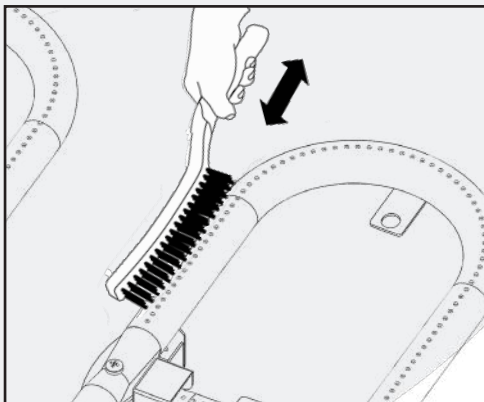
1. Remove the heat tent located between the burners.
2. Locate the burner screws at the front and rear of the firebox.
3. Remove the screws and slightly lift the burners out of the firebox.
4. Remove igniters from burners.



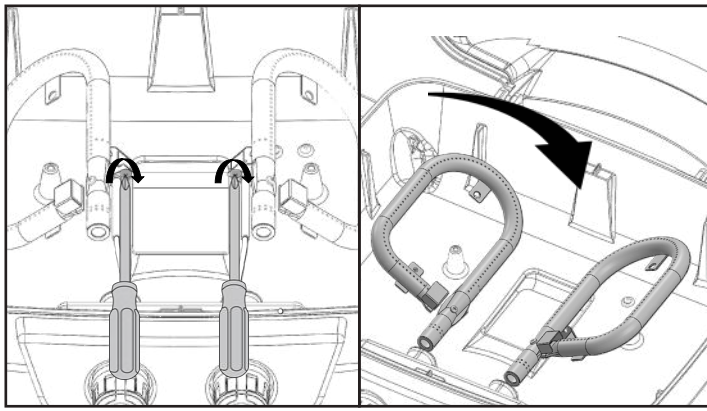
### STEP 2

To clean the grill burners:

1. Clean the exterior of the burner with a wire brush. Use a metal scraper for stubborn stains or debris.
2. Clear clogged ports with a straightened paper clip. Never use a wooden toothpick as it may break off and clog the port.
3. Check and clean burners / venturi tubes for insects and insect nests. A clogged tube can lead to a fire beneath, and behind the main control panel.



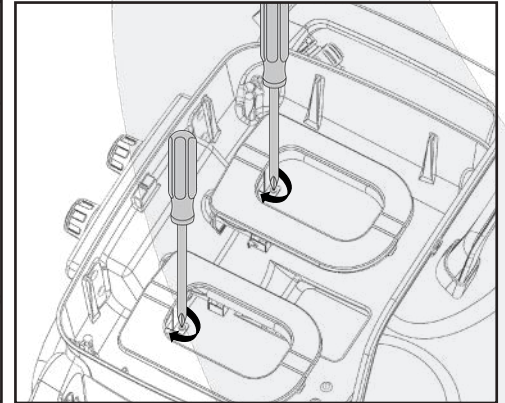
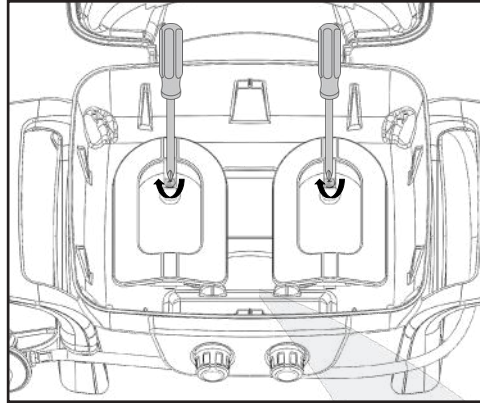
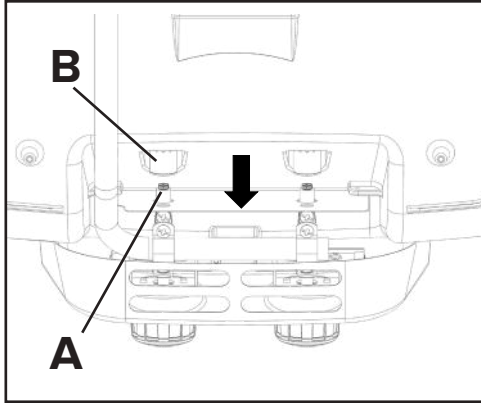




## STEP 3

To reinstall the burners:

1. Assemble ignitors to the burners.
2. Insert the burners onto the main burner gas valves.
3. Make sure the orifice tip (A) is inside the burner venturi (B).
4. Align the burner screws holes with the firebox holes, insert screws and tighten.
5. Install heat tent on top of the firebox hole located in between the burners.



### FIREBOX

Use warm soapy water to clean this area. Do not allow grease to build up.

### DRAIN HOLE

The drain hole must be kept clear of grease and food particles to allow drippings to drain properly into the grease tray. This must be done to maintain proper operation of your grill.



This grill, like all equipment, will look better and last longer if kept out of the weather when not in use.

## STORAGE



**CAUTION:** Do not store propane cylinders in enclosed areas. When using a cover or moving the grill, always wait until the grill has cooled for at least 30 minutes.

- Do not obstruct the flow of combustion and ventilation air.
- A clogged tube can lead to a fire beneath the appliance.



This unit must be kept in an area free from combustible materials, gasoline and other flammable vapors and liquids. Make sure all openings into the grill body are free of blockages or debris and there are no objects or materials blocking the flow of combustion or ventilation. Make sure the legs are in the up position when using the grill. Check burner air inlet openings (behind the inlet guard on the right end of the grill body) for insect nests or blockages. Make sure the slots in the burner tube are clear.

When the grill is not in use, turn the control knobs to the "OFF" (O) position. Close the propane cylinder valve and detach regulator. If stored indoors, detach and leave the propane cylinder outdoors. Propane cylinders must be stored out of reach of children.



# WARRANTY STATEMENT

Nexgrill warrants to the original consumer-purchaser only that this product (Model #820-0072) shall be free from defects in workmanship and materials after correct assembly and under normal and reasonable home use for the periods indicated below beginning on the date of purchase. The manufacturer reserves the right to require photographic evidence of damage, or the return of defective parts, postage and or freight pre-paid by the consumer, for review and examination.

**MAIN BURNERS:** 5 year LIMITED warranty against perforation.

**COOKING GRID:** 5 year LIMITED warranty; does not cover dropping, chipping, scratching, or surface damage.

**ALL OTHER PARTS:** 2 year LIMITED warranty (Includes, but is not limited to, valves, frame, housing, control panel, igniter, regulator, hoses)

\*Does not cover chipping, scratching, cracking surface corrosion, scratches or rust.

Upon consumer supplying proof of purchase as provided herein, Manufacturer will repair or replace the parts that are proven defective during the applicable warranty period. Parts required to complete such repair or replacement shall be free of charge to you except for shipping costs, as long as the purchaser is within the warranty period from the original date of purchase. The original consumer-purchaser will be responsible for all shipping charges of parts replaced under the terms of this limited warranty. This limited warranty is applicable in the United States and Canada, is only available to the original owner of the product and is not transferable. Manufacturer requires reasonable proof of your date of purchase. Therefore, you should retain your sales receipt and/or invoice. If the unit was received as a gift, please ask the gift-giver to send in the receipt on your behalf, to the below address. Defective or missing parts subject to this limited warranty will not be replaced without registration or proof of purchase. This limited warranty applies to the functionality of the product ONLY and does not cover cosmetic issues such as scratches, dents, corrosions or discolouring by heat, abrasive and chemical cleaners or any tools used in the assembly or installation of the appliance, surface rust, or the discolouration of stainless-steel surfaces. Surface rust, corrosion, or powder paint chipping on metal parts that does not affect the structural integrity of the product is not considered a defect in workmanship or material and is not covered by this warranty. This limited warranty will not reimburse you for the cost of any inconvenience, food, personal injury or property damage. If an original replacement part is not available, a comparable replacement part will be sent. You will be responsible for all shipping charges of parts replaced under the terms of this limited warranty.

#### ITEMS MANUFACTURER WILL NOT PAY FOR:

- Service calls to your home.
- Repairs when your product is used for other than normal, single-family household or residential use.
- Damage resulting from accident, alteration, misuse, lack of maintenance/cleaning, abuse, fire, flood, acts of God, improper installation, and installation not in accordance with electrical or plumbing codes or use of products not approved by the manufacturer.
- Any food loss due to product failures.
- Replacement parts or repair labour costs for units operated outside the United States or Canada.
- Pickup and delivery of your product.
- Postage fees or photo processing fees for photos sent in as documentation.
- Repairs to parts or systems resulting from unauthorized modifications made to the product.
- The removal and/or reinstallation of your product.
- Shipping cost, standard or expedited, for warranty/non-warranty and replacement parts.

#### DISCLAIMER OF IMPLIED WARRANTIES; LIMITATION OF REMEDIES

Repair or replacement of defective parts is your exclusive remedy under the terms of this limited warranty. Manufacturer will not be responsible for any consequential or incidental damages arising from the breach of either this limited warranty or any applicable implied warranty, or for failure or damage resulting from acts of God, improper care and maintenance, grease fire, accident, alteration, replacement of parts by anyone other than Manufacturer, misuse, transportation, commercial use, abuse, hostile environments (inclement weather, acts of nature, animal tampering), improper installation or installation not in accordance with local codes or printed manufacturer instructions.

THIS LIMITED WARRANTY IS THE SOLE EXPRESS WARRANTY GIVEN BY THE MANUFACTURER. NO PRODUCT PERFORMANCE SPECIFICATION OR DESCRIPTION WHEREVER APPEARING IS WARRANTED BY MANUFACTURER EXCEPT TO THE EXTENT SET FORTH IN THIS LIMITED WARRANTY. ANY IMPLIED WARRANTY PROTECTION ARISING UNDER THE LAWS OF ANY STATE OR PROVINCE, INCLUDING IMPLIED WARRANTY OF MERCHANTABILITY OR FITNESS FOR A PARTICULAR PURPOSE OR USE, IS HEREBY LIMITED IN DURATION TO THE DURATION OF THIS LIMITED WARRANTY.

Neither dealers nor the retail establishment selling this product has any authority to make any additional warranties or to promise remedies in addition to or inconsistent with those stated above. Manufacturer's maximum liability, in any event, shall not exceed the documented purchase price of the product paid by the original consumer. This warranty only applies to units purchased from an authorized retailer and or re-seller. NOTE: Some states and provinces do not allow an exclusion or limitation of incidental or consequential damages, so some of the above limitations or exclusions may not apply to you; this limited warranty gives you specific legal rights as set for herein. You may also have other rights, which vary from province to province.

If you wish to obtain performance of any obligation under this limited warranty, you should write to:

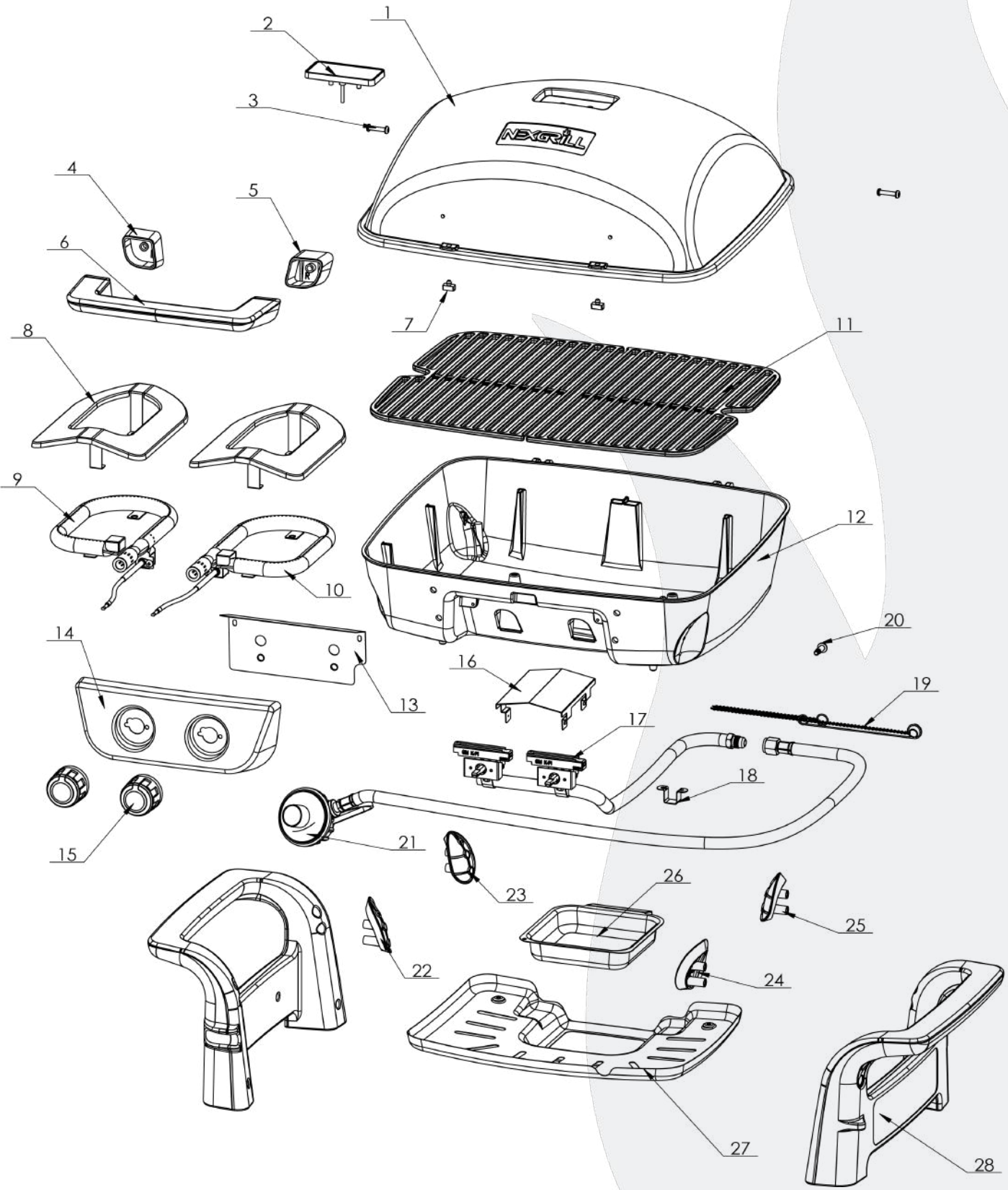
Nexgrill Customer Relations  
14050 Laurelwood Place,  
Chino, CA 91710

All consumer returns, parts orders, general questions, and troubleshooting assistance can be acquired by calling customer service department at: 1-866-984-7455 (USA), 1-800-648-5864 (Canada), or 1-909-718-1945 (International).

Languages spoken: English, French, and Spanish 8 a.m.-5 p.m. PST Monday-Friday.

CostcoService@grillservices.com

# REPLACEMENT PARTS LIST



NO.	PART (DESCRIPTION)	WARRANTY COVERAGE	QTY	NO.	PART (DESCRIPTION)	WARRANTY COVERAGE	QTY
<b>1</b>	Main lid	5 years* <sup>▲</sup> (Material) 2 years <sup>▲</sup> (Paint)	1	<b>15</b>	Control knob	2 years	2
<b>2</b>	Temperature gauge	2 years	1	<b>16</b>	Grease cup heat shield	2 years	1
<b>3</b>	Main lid screw	2 years	2	<b>17</b>	Main gas valve	2 years	2
<b>4</b>	Main lid handle seat, left	2 years	1	<b>18</b>	Main manifold bracket	2 years	1
<b>5</b>	Main lid handle seat, right	2 years	1	<b>19</b>	Lighting rod screw	2 years	2
<b>6</b>	Main lid handle	2 years	1	<b>20</b>	Lighting rod	2 years	1
<b>7</b>	Lid stopper	2 years	2	<b>21</b>	Regulator	2 years	1
<b>8</b>	Flame tamer	2 years	2	<b>22</b>	Cart leg heat insulator, front right	2 years	1
<b>9</b>	Main burner, left	5 years	1	<b>23</b>	Cart leg heat insulator, rear right	2 years	1
<b>10</b>	Main burner, right	5 years	1	<b>24</b>	Cart leg heat insulator, front left	2 years	1
<b>11</b>	Cooking grid	5 years	2	<b>25</b>	Cart leg heat insulator, rear left	2 years	1
<b>12</b>	Firebox	5 years* <sup>▲</sup> (Material) 2 years <sup>▲</sup> (Paint)	1	<b>26</b>	Grease box	2 years	1
<b>13</b>	Control panel heat shield	2 years	1	<b>27</b>	Grease box support base	2 years	1
<b>14</b>	Main control panel	2 years	1	<b>28</b>	Cart leg	2 years	2

\* - NO RUST-THROUGH OR BURN-THROUGH OF ALUMINUM CASTING.

▲ - EXCLUDING FADING OR DISCOLORATION.

## TROUBLESHOOTING

PROBLEMS	WHAT TO DO
Grill will not light	<ol style="list-style-type: none"> <li>1. Check to see if the liquid propane cylinder is empty.</li> <li>2. Check burner ports for any blockage. Use a paper clip to clear plugged ports.</li> <li>3. Check the gas orifice on the burner for an obstruction. If orifice is blocked, clean with a needle.</li> </ol>
Burner flame is yellow or orange in conjunction with gas odor.	<ol style="list-style-type: none"> <li>1. Check for spiders and insects.</li> <li>2. Call our customer service department at: 1-866-984-7455 (USA), 1-800-648-5864 (Canada), or 1-909-718-1945 (International). Languages spoken: English, French, and Spanish 8 a.m.-5 p.m. PST Monday-Friday. You can also reach us by email at: <a href="mailto:CostcoService@grillservices.com">CostcoService@grillservices.com</a></li> </ol>
Low heat with the control knob on the "HIGH" setting.	<ol style="list-style-type: none"> <li>1. Make sure the grill area is clear of dust.</li> <li>2. Make sure the burner and orifice are clean.</li> <li>3. Check for spiders and insects.</li> <li>4. Is there adequate gas supply available?</li> <li>5. Is the grill being preheated for 5-10 minutes?</li> </ol>

# MISES EN GARDE IMPORTANTES

**DANGER : Si vous sentez une odeur de gaz :**

1. Coupez l'admission de gaz de l'appareil.
2. Éteindre toute flamme nue.
3. Ouvrir le couvercle.
4. Si l'odeur persiste, appelez immédiatement votre fournisseur de gaz ou votre service des incendies.

**DANGER**

1. Ne jamais faire fonctionner cet appareil sans surveillance.
2. Ne jamais faire fonctionner cet appareil à moins de 3,05 m (10 pi) d'une autre bouteille de gaz.
3. Ne jamais faire fonctionner cet appareil à moins de 7,62 m (25 pi) d'un liquide inflammable.
4. Ne jamais utiliser comme appareil de chauffage.
5. Si un incendie devait se produire, restez loin de l'appareil et appelez immédiatement le service des incendies. Ne tentez pas d'éteindre l'huile ou la graisse en feu avec de l'eau.



**LE NON RESPECT DES INSTRUCTIONS SUIVANTES PEUT ENTRAÎNER DES DOMMAGES MATÉRIELS, DES BLESSURES GRAVES OU LA MORT RÉSULTANT D'UN INCENDIE OU D'UNE EXPLOSION.**

**RÉSIDENTS DE LA CALIFORNIE UNIQUEMENT – AVERTISSEMENT**

Cet article, les combustibles utilisés pour le faire fonctionner (propane) et les produits de la combustion peuvent vous exposer à des produits chimiques, notamment le benzène, considéré par l'état de la Californie comme pouvant causer le cancer ou des problèmes reproductifs.

Pour en savoir plus: [www.P65Warnings.ca.gov](http://www.P65Warnings.ca.gov).



## AUTRES RENSEIGNEMENTS SUR LA SÉCURITÉ

**SYSTÈME D'ALIMENTATION :** Des millions de personnes utilisent sécuritairement des grils au propane en suivant de simples mesures de sécurité. Les composants du système d'alimentation sont conçus pour être utilisés avec ce gril. Ils ne doivent pas être remplacés par des composants d'une autre marque. (Voir la liste des pièces de rechange.)

**BRÛLEUR À GAZ :** Le brûleur à gaz est fait d'acier inoxydable et ne devrait pas nécessiter d'entretien autre que l'inspection pour retirer les insectes ou les nids à l'intérieur des prises d'air.

**MISE EN GARDE RELATIVE AU RÉGULATEUR DE PRESSION :** Le régulateur de pression de gaz de l'appareil doit être utilisé. Il est muni d'un orifice de la bonne taille et est réglé selon la pression requise pour cet appareil, combinaison essentielle pour obtenir les résultats de cuisson attendus.

**CONDUITE DE GAZ :** La conduite de gaz avec régulateur de pression fournie avec l'appareil mesure 91,44 cm (3 pi) de long. Tenir la conduite loin des surfaces chaudes.

**AVERTISSEMENT DU CARBURANT DU PROPANE :**

Le propane est un gaz inflammable. Toute manipulation inappropriée pourrait provoquer une explosion ou un incendie et entraîner des accidents et des blessures graves. Le gril a été conçu pour fonctionner au propane uniquement et est équipé d'un orifice approprié pour ce gaz.

**MISE EN GARDE –** Ne pas raccorder le gril à une source de gaz autre que du propane. Comme le gaz propane est plus lourd que l'air, il demeure dans les zones basses. Vérifier que l'aération est adéquate durant l'utilisation du gril. Lorsque le gril n'est pas utilisé, la bouteille de propane doit être entreposée à l'extérieur, dans une zone bien aérée, hors de la portée des enfants.



# MISES EN GARDE IMPORTANTES

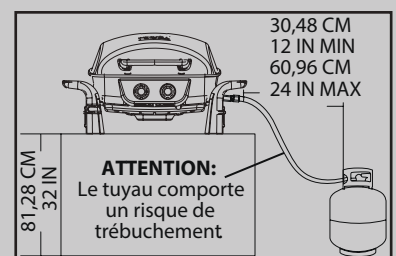
Lire attentivement les consignes suivantes avant l'assemblage, l'utilisation ou l'installation du produit. Leur non-respect pourrait entraîner des blessures graves ou des dommages matériels. Adresser toute question à notre service à la clientèle, au 1-866-984-7455 (États-Unis), au 1-800-648-5864 (Canada) ou au 1-909-718-1945 (International) en semaine, entre 8 h et 17 h (heure du Pacifique; service en anglais, en français et en espagnol), ou par courriel à [CostcoService@grillservices.com](mailto:CostcoService@grillservices.com).

La bouteille de propane utilisée doit avoir été fabriquée et identifiée conformément aux exigences du département des Transports (D.O.T.) des États-Unis sur les bouteilles de propane, ou de la norme CAN/CSA-B339, Bouteilles à gaz cylindriques et sphériques et tubes pour le transport des marchandises dangereuses.

1. L'installation doit être conforme aux codes locaux ou, en l'absence de ceux-ci, aux normes suivantes: codes nationaux du gaz combustible, National Fuel Gas Code (ANSI Z223.1/NFPA 54), Standard for the Storage and Handling of Liquefied Petroleum Gases (ANSI/NFPA 58), Standard on Recreational Vehicles (ANSI A119.2/NFPA 1192) ou norme CSA Z240 VC, Véhicules récréatifs, selon le cas.
2. Le gril de table est conçu pour un usage extérieur uniquement. Toujours l'utiliser dans un endroit bien aéré; ne jamais l'utiliser dans un espace clos, un garage ou un bâtiment. Ne pas l'installer dans ou sur des véhicules récréatifs ou des embarcations.
3. Les liquides chauffés demeurent à des températures élevées longtemps après la cuisson. Ne jamais toucher l'appareil de cuisson tant que les liquides ne se sont pas refroidis à une température de 46,11 °C (115 °F) ou moins.
4. Ne pas installer et utiliser le gril à moins de 91,44 cm (36 po) de matières combustibles situées à l'arrière ou sur les côtés du gril. Ne pas placer le gril sous une surface suspendue (abris d'auto, garage, porche ou patio fermés) qui pourrait s'enflammer.
5. Ne jamais raccorder le gril au système d'alimentation au propane autonome d'une caravane ou d'une autocaravane.
6. Il incombe à l'assembleur ou au propriétaire d'assembler, d'installer et d'entretenir le gril. Ne pas laisser d'enfants utiliser le gril. Empêcher les enfants et les animaux domestiques de jouer à proximité. Le non-respect de ces consignes pourrait entraîner des blessures graves ou des dommages matériels.
7. Ouvrir le couvercle avant d'allumer le gril. Lorsque le gril n'est pas utilisé, fermer le robinet de la bouteille de propane.
8. Suivre attentivement les instructions de ce manuel pour garantir un assemblage approprié et détecter les fuites. Ne pas utiliser le gril avant d'avoir vérifié qu'il n'y a pas de fuites. En cas de fuite, arrêter le gril et corriger le problème avant d'en reprendre l'utilisation.
9. Ne jamais utiliser l'appareil à proximité de matières combustibles, d'essence, de toute bouteille de gaz ni de vapeurs et de liquides inflammables. Ne pas bloquer la circulation de l'air de combustion et de ventilation.
10. Ne jamais allumer le gril lorsque le couvercle est fermé! L'accumulation de gaz est très dangereuse et pourrait provoquer une explosion.
11. Tenir les cordons d'alimentation électrique et la conduite de gaz loin des surfaces chaudes.
12. Le propane est un gaz inflammable. Toute manipulation inappropriée pourrait provoquer une explosion ou un incendie et entraîner des accidents et des blessures graves.
13. L'appareil est chaud pendant et après l'utilisation. Utiliser des gants isolants pour vous protéger des surfaces chaudes et des éclaboussures de liquides de cuisson.
14. Ne pas laisser le gril sans surveillance pendant l'utilisation.
15. Ne pas utiliser avec les facultés affaiblies par la drogue ou l'alcool.
16. Ne pas entreposer de bouteilles de propane, pleines ou vides, en dessous ou à proximité du gril.
17. L'appareil n'est pas destiné à un usage commercial ou à la location.
18. Débrancher la bouteille de propane lorsque l'appareil n'est pas utilisé.



- Toujours utiliser le gril sur une table, non plus haut que 81,28 cm et pas plus bas que 60,96 cm.
- Placer la bouteille de propane sur le sol, à côté de la table, en laissant un espace allant de 30,48 cm (12 po) à 60,96 cm (24 po) entre la bouteille et le gril.
- Respectez ces consignes pour éviter de surchauffer la bouteille et de causer une fuite de propane, qui pourrait s'enflammer et causer des blessures ou des dommages matériels graves, et pour éviter de trébucher sur la conduite de gaz ou la bouteille et de faire tomber le gril, ce qui pourrait entraîner des blessures ou des dommages matériels graves.

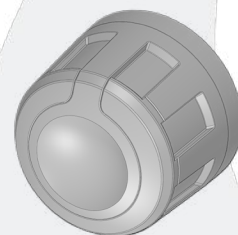


# LISTE DES PIÈCES

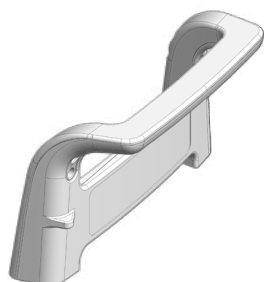
**A**



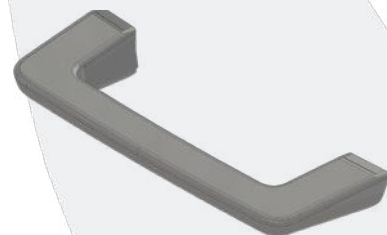
**Bx2**



**Cx2**



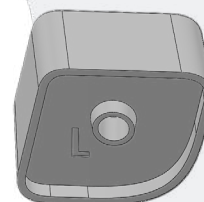
**D**



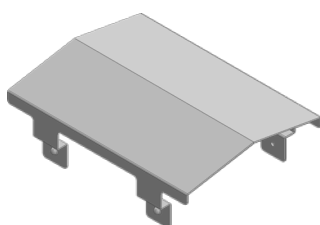
**E**



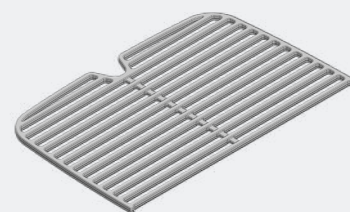
**F**



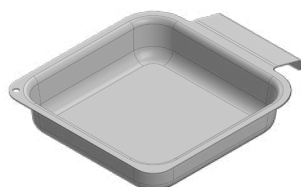
**G**



**Hx2**



**I**



**Jx8**



**Kx2**



**Lx2**



## PRÉPARATION



Avant de commencer l'assemblage, l'installation ou l'utilisation du produit, vérifier que toutes les pièces sont présentes et intactes. Comparer le contenu de l'emballage avec la liste des pièces ci-dessus. Si des pièces sont manquantes ou endommagées, ne pas tenter d'assembler, d'installer ou d'utiliser le produit. Communiquer avec le service à la clientèle pour obtenir des pièces de rechange.

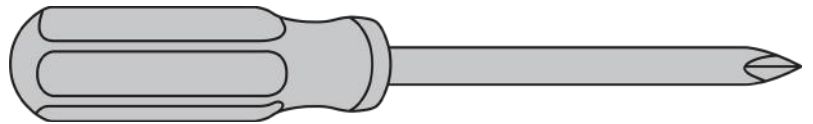
**LIRE ATTENTIVEMENT TOUTES LES CONSIGNES DE SÉCURITÉ AINSI QUE LES INSTRUCTIONS D'ASSEMBLAGE ET D'INSTALLATION AVANT L'ASSEMBLAGE.**

# INSTRUCTIONS D'ASSEMBLAGE



**DES QUESTIONS? IL MANQUE DES PIÈCES?** Avant de retourner chez le détaillant, appeler le service à la clientèle au 1-866-984-7455 (États-Unis), au 1-800-648-5864 (Canada) ou au 1-909-718-1945 (International) en semaine, entre 8 h et 17 h (heure du Pacifique; service en anglais, en espagnol et en français), ou écrire à [CostcoService@grillservices.com](mailto:CostcoService@grillservices.com).

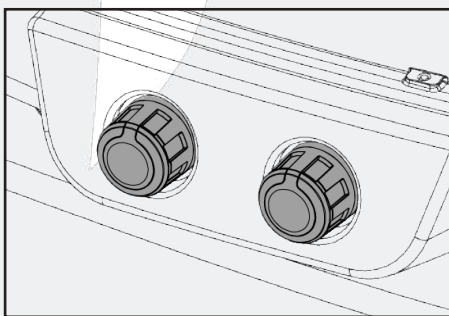
## OUTILS REQUIS (NON COMPRIS)



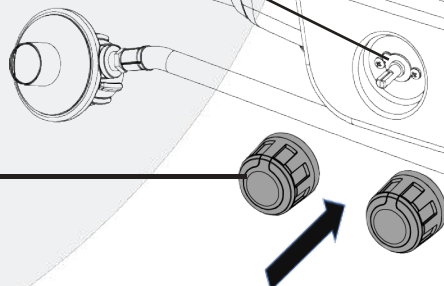
Tournevis cruciforme

## ÉTAPES D'ASSEMBLAGE

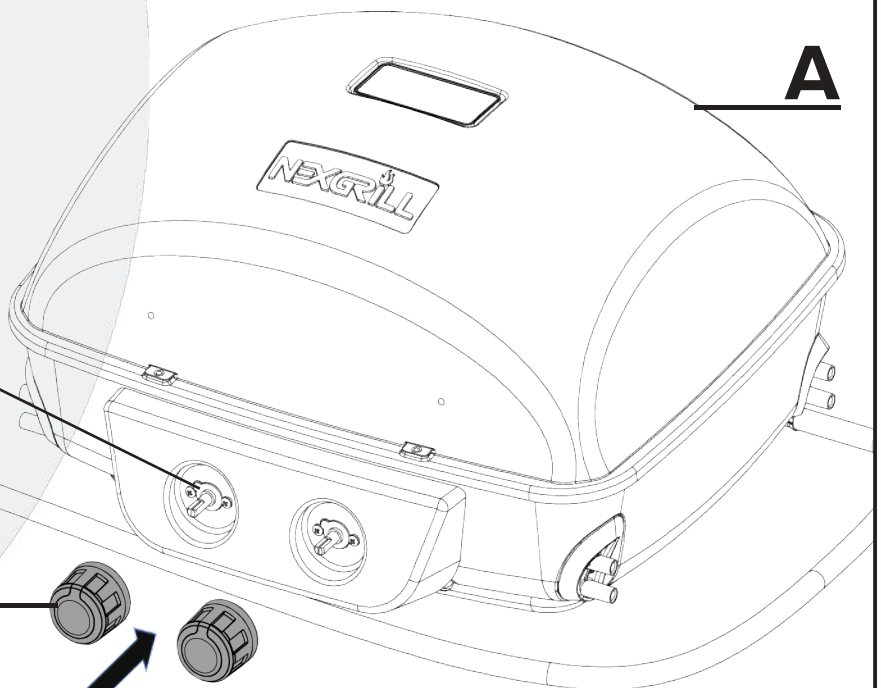
1

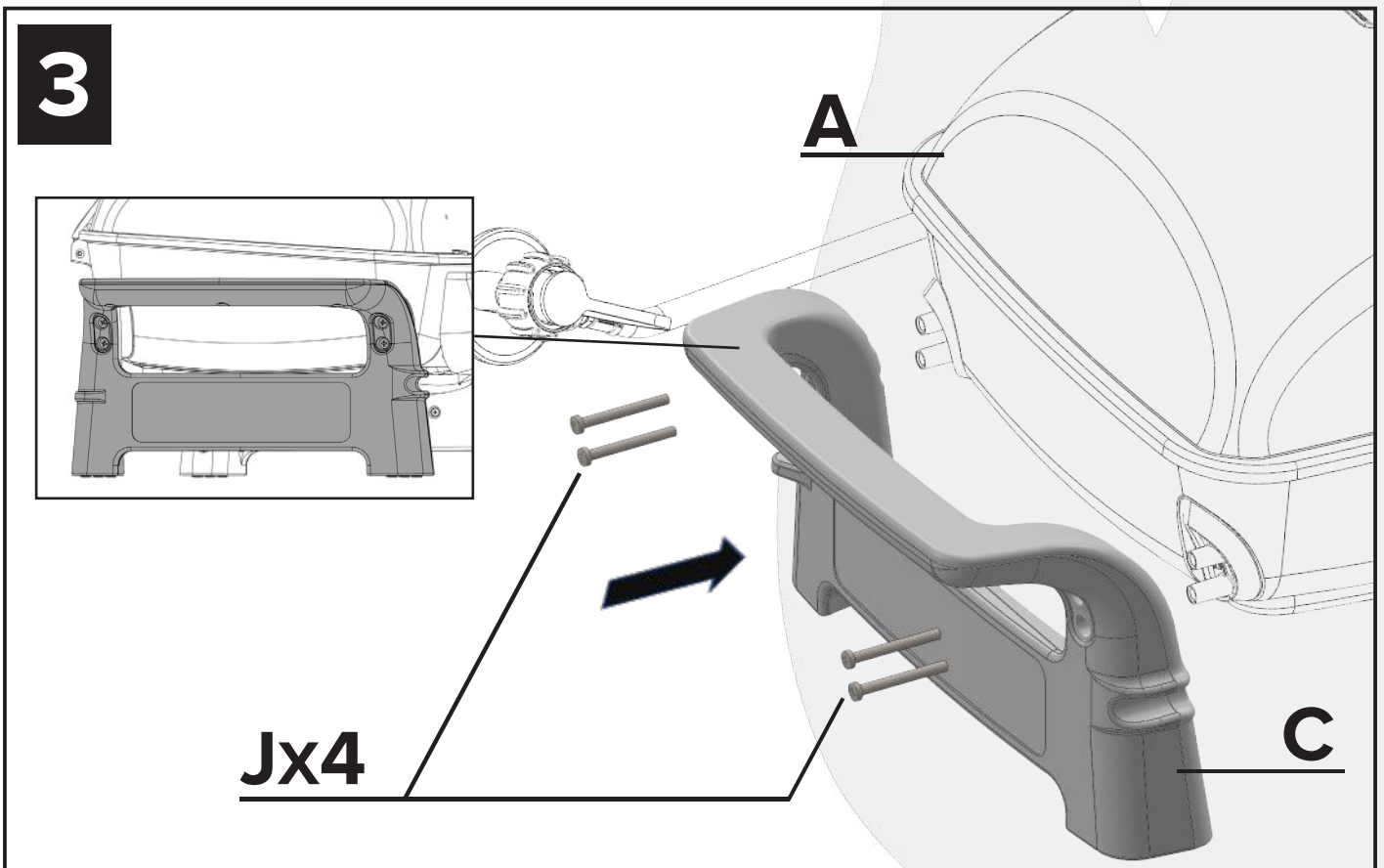
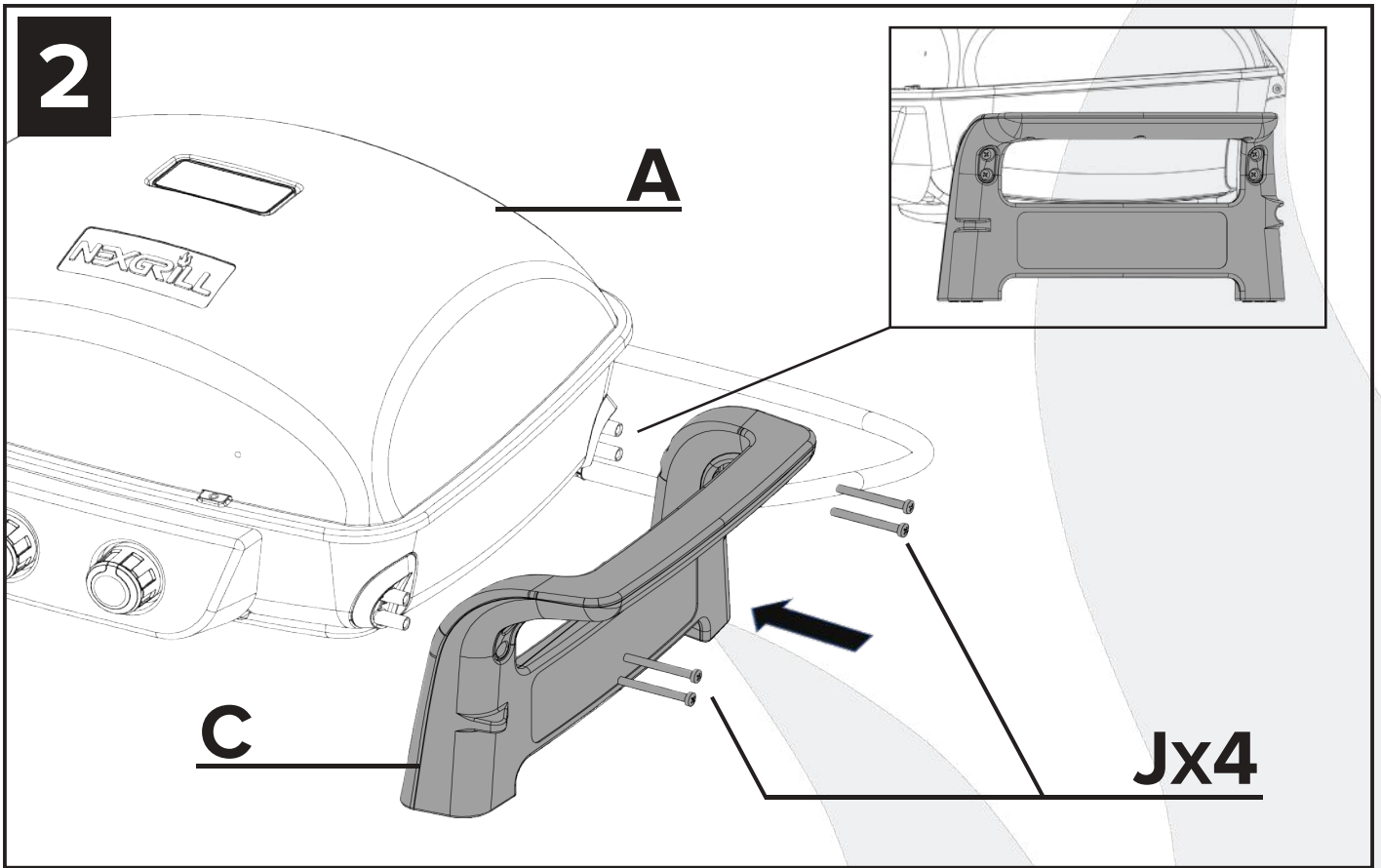


**Bx2**

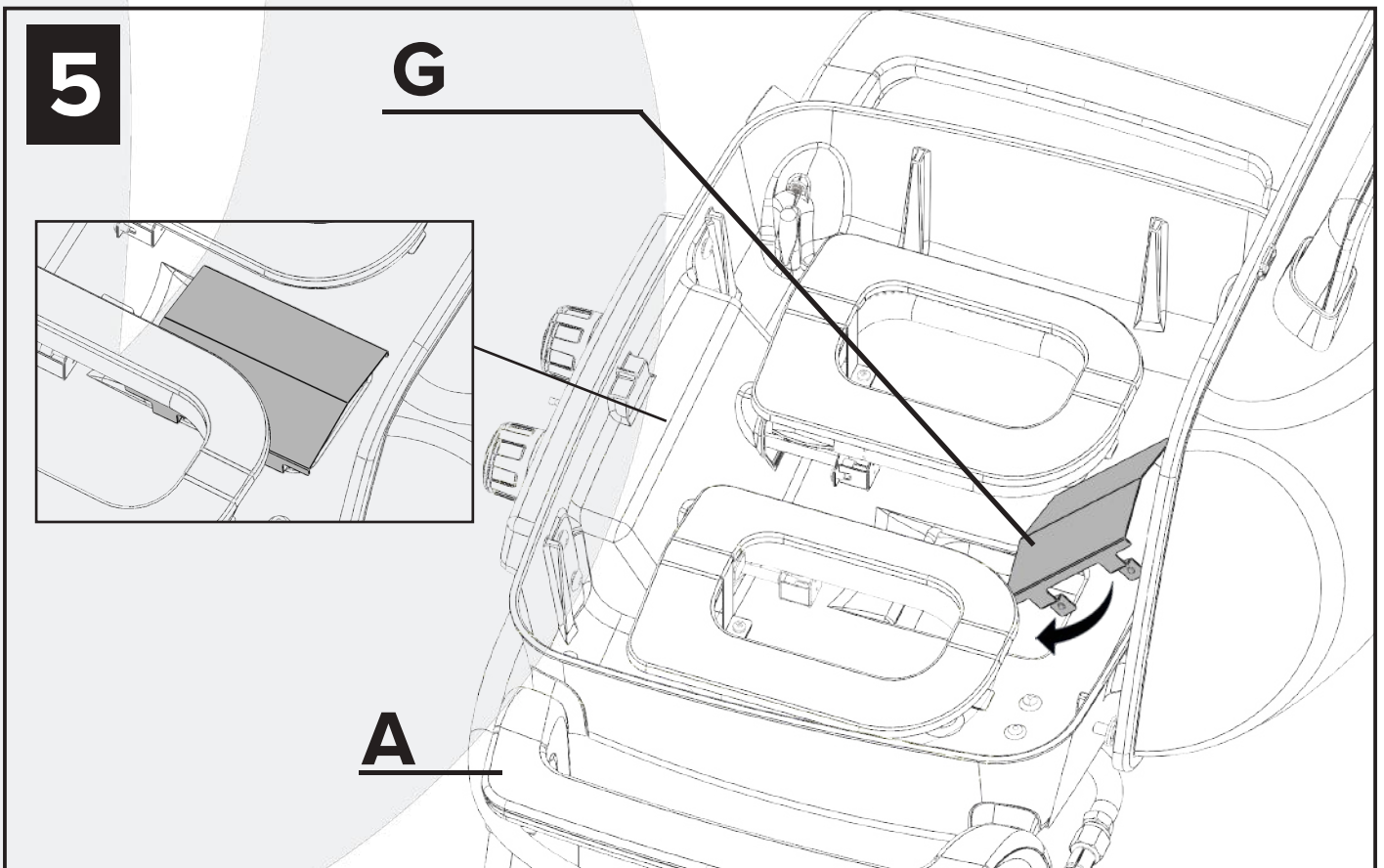
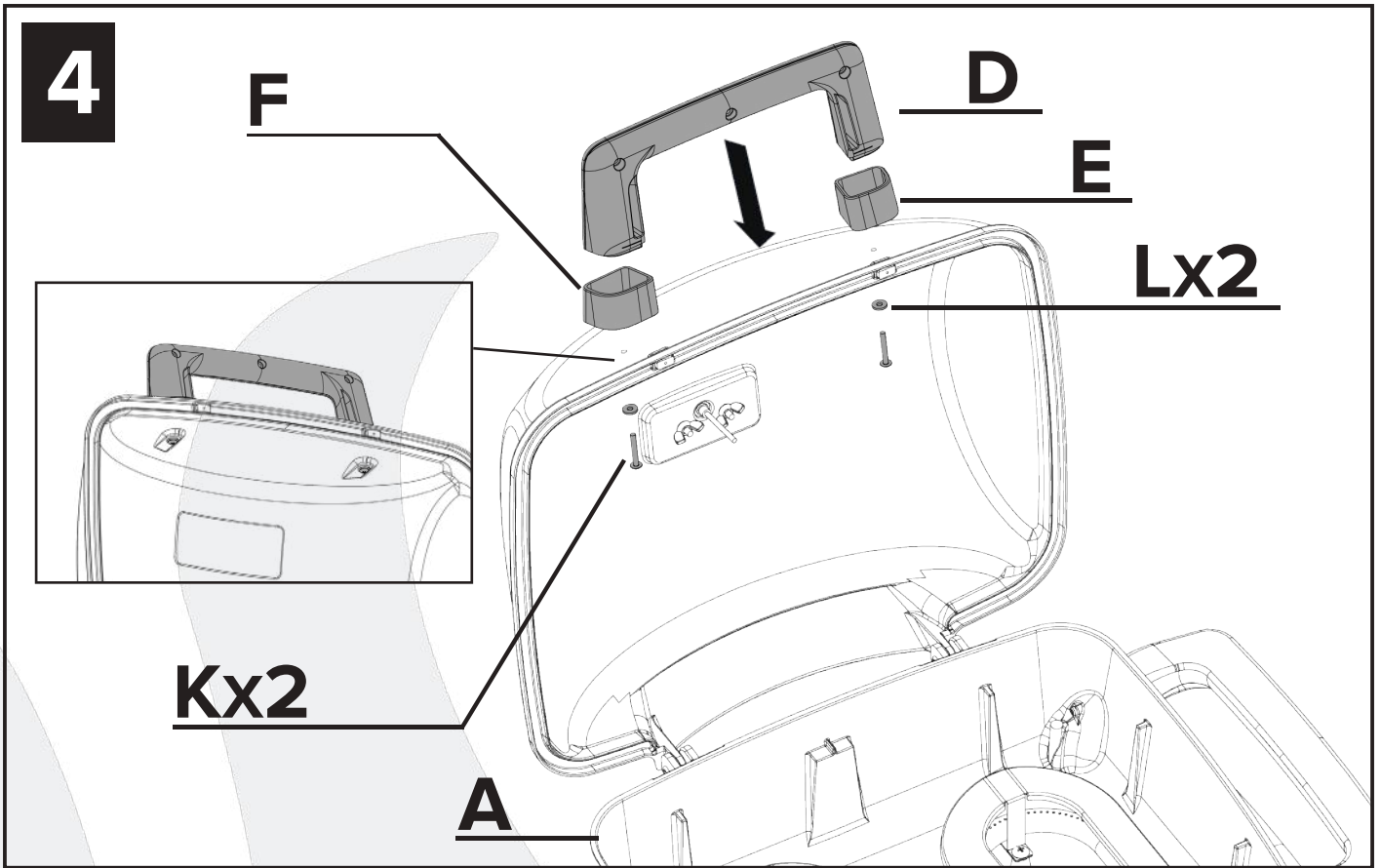


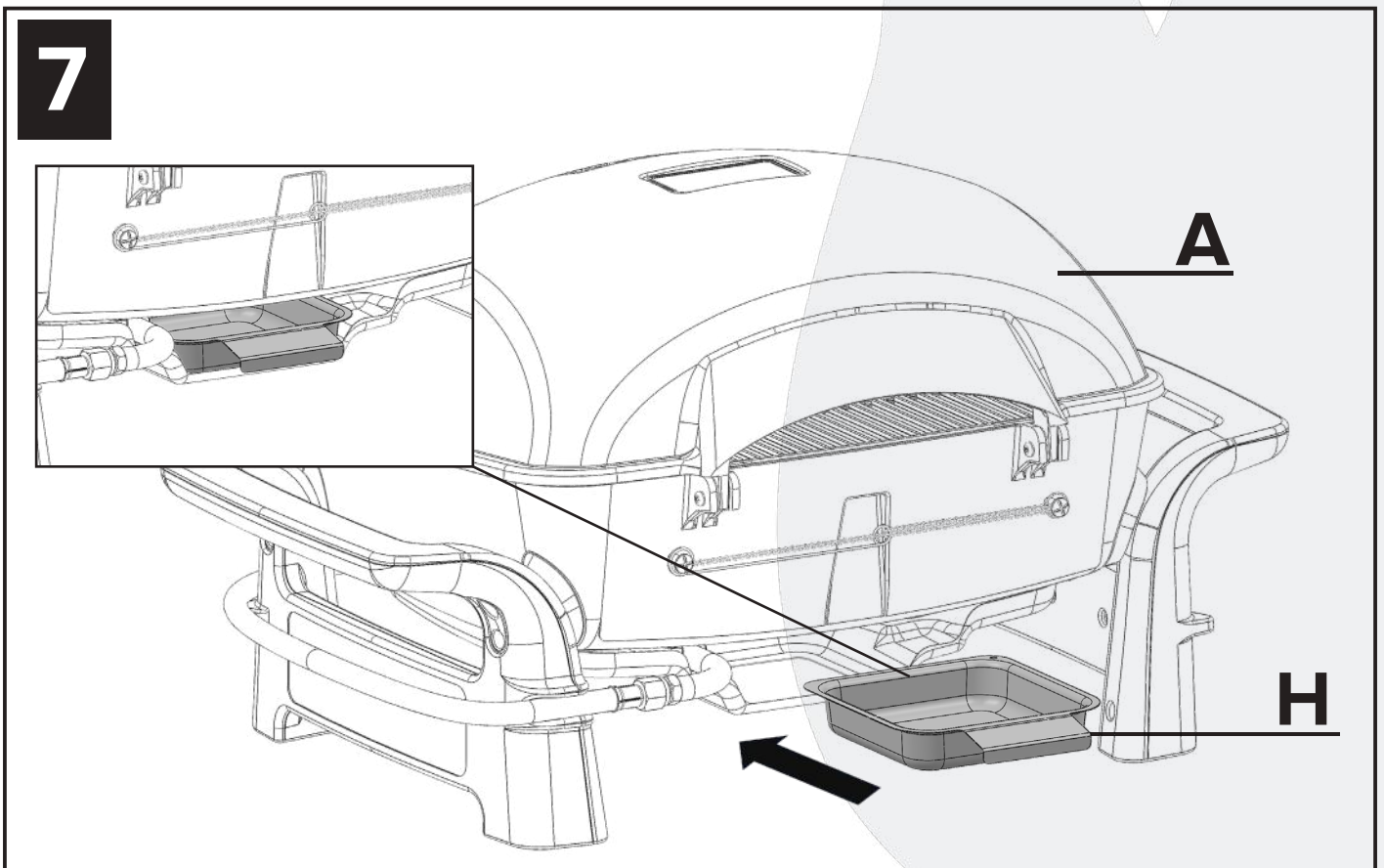
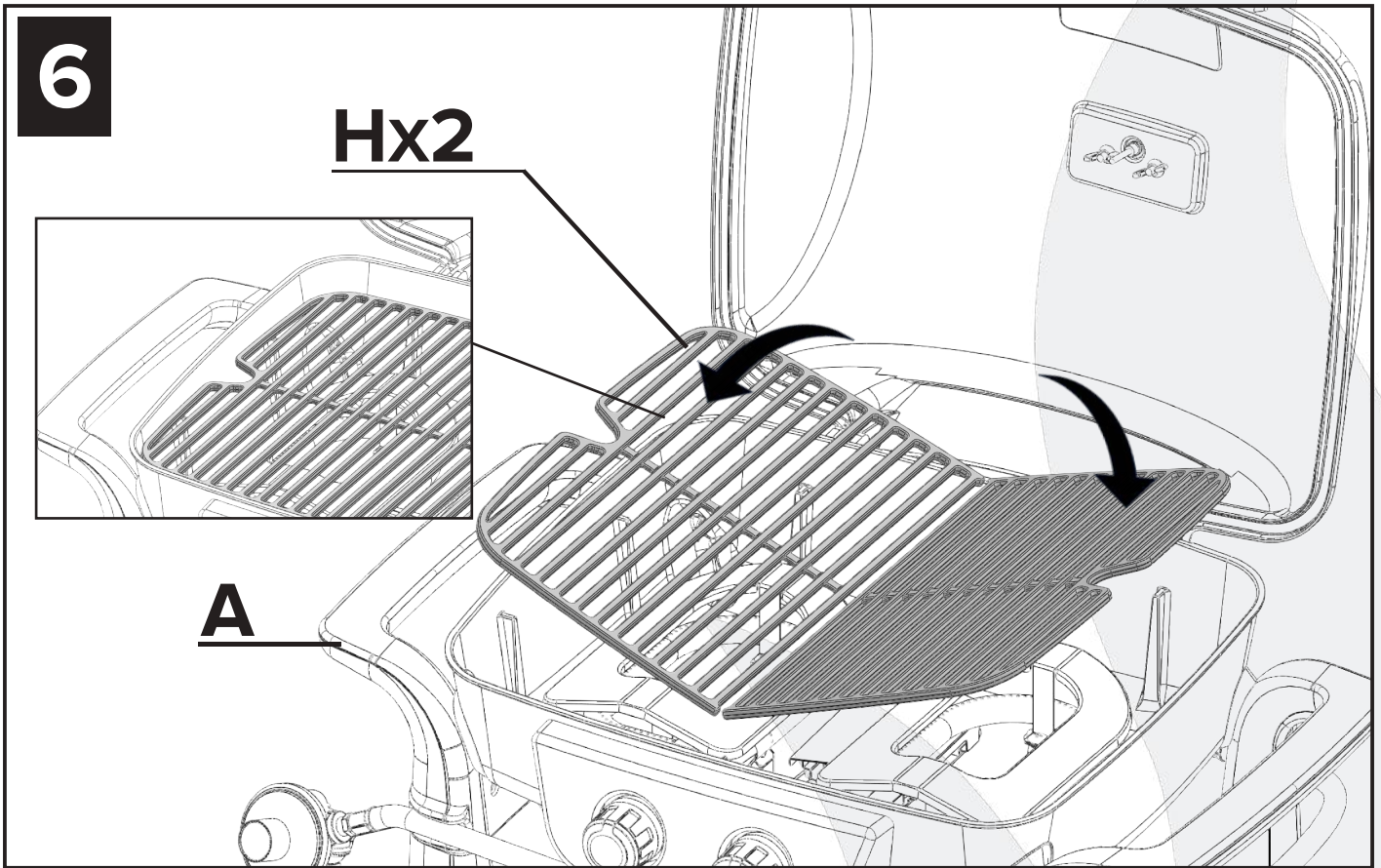
**A**











# INSTRUCTIONS DE RACCORDEMENT

## RACCORDEMENT DE LA CONDUITE DE GAZ

Utiliser uniquement la conduite avec régulateur de pression fournie avec le gril et les conduites de remplacement recommandées par le fabricant du gril. Le gril est conçu pour fonctionner au propane. Ne pas utiliser de gaz naturel.

Consommation totale de gaz (par heure) lorsque tous les brûleurs sont au réglage le plus élevé :

**BRÛLEURS INDIVIDUELS**      **6 750 BTU/HEURE**  
**TOTAL**                              **13 500 BTU/HEURE**

L'installation de l'appareil doit être conforme aux codes locaux ou, en l'absence de ceux-ci, aux normes suivantes : National Fuel Gas Code (ANSI Z223.1/NFPA 54), Code d'installation du gaz naturel et du propane (CSA B149.1), Code sur le stockage et la manipulation du propane (CSA B149.2), Standard on Recreational Vehicles (ANSI A119.2/NFPA 1192) ou norme CSA Z240 VC, Véhicules récréatifs, selon le cas.

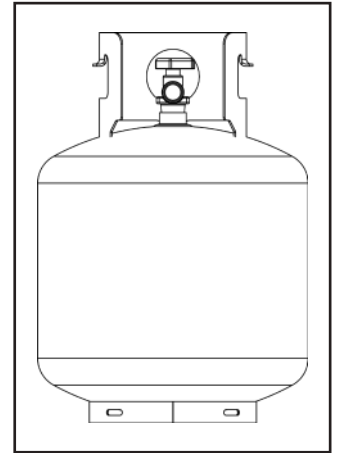
## EXIGENCES RELATIVES AUX BOUTEILLES DE PROPANE

Ne bouteille de propane bosselée ou rouillée peut constituer un danger et doit être inspectée par le fournisseur de gaz. Ne jamais utiliser de bouteilles dont le robinet est endommagé. La bouteille de propane utilisée doit avoir été fabriquée et identifiée conformément aux exigences du département des Transports (D.O.T.) des États-Unis sur les bouteilles de propane, ou de la norme CAN/CSA-B339, Bouteilles à gaz cylindriques et sphériques et tubes pour le transport des marchandises dangereuses. La bouteille de 9 kg (20 lb) doit être dotée d'une soupape d'arrêt menant à un robinet avec raccord de type QCC1, conformément à la norme Standard for Compressed Gas Cylinder Valve Outlet and Inlet Connections (ANSI/CGA V-1).

L'entreposage intérieur d'un appareil de cuisson au gaz pour l'extérieur est autorisé uniquement si la bouteille est débranchée et enlevée de l'appareil. La conduite d'alimentation en gaz doit pouvoir évacuer les vapeurs. La bouteille doit comporter un collet protégeant la soupape d'arrêt. Pression du manifold: 27,9 cm (11,2 po) de colonne d'eau en marche; 28,4 cm (11,2 po) de colonne d'eau à l'arrêt.

La bouteille de propane doit être dotée d'un dispositif antidébordement.

Si fourni, retirer le bouchon en plastique du robinet de la bouteille. Assurez-vous que le tuyau de gaz n'entre pas en contact avec le plateau à graisse ou la chambre de cuisson lorsque la bouteille est mise en place.



BOUTEILLE DE 9 KG (20 LB)

## RACCORDEMENT DE LA BOUTEILLE DE PROPANE



### AVERTISSEMENT

**NE JAMAIS UTILISER DE MATÉRIEL ENDOMMAGÉ OU OBSTRUÉ. CONSULTER LE FOURNISSEUR DE PROPANE POUR TOUTE RÉPARATION.**

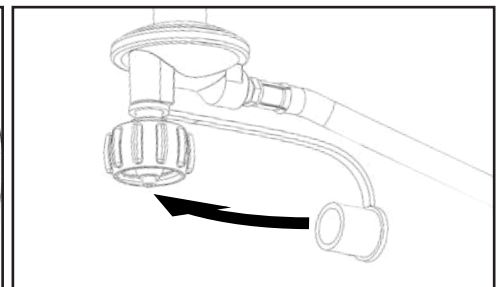
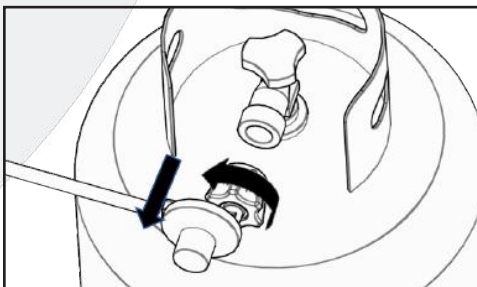
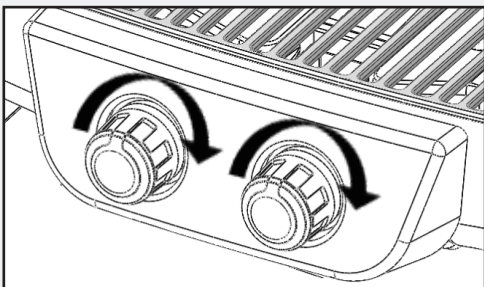
## REMPACEMENT DE LA BOUTEILLE DE PROPANE

Tourner les boutons du brûleur du gril dans le sens horaire (position **O**) et attendre que le gril refroidisse.

Fermer le robinet de la bouteille de propane en le tournant complètement dans le sens horaire.

Débrancher le régulateur du robinet en tournant l'écrou de raccordement rapide dans le sens antihoraire. Mettre le capuchon protecteur sur le raccord du régulateur.

Toujours placer un bouchon cachepoussière sur la sortie du robinet de la bouteille lorsque la bouteille n'est pas en service. Utiliser uniquement le type de bouchon cache-poussière fourni avec le robinet de la bouteille. D'autres types de bouchons peuvent permettre des fuites de propane.





# ESSAI D'ÉTANCHÉITÉ



## AVERTISSEMENT

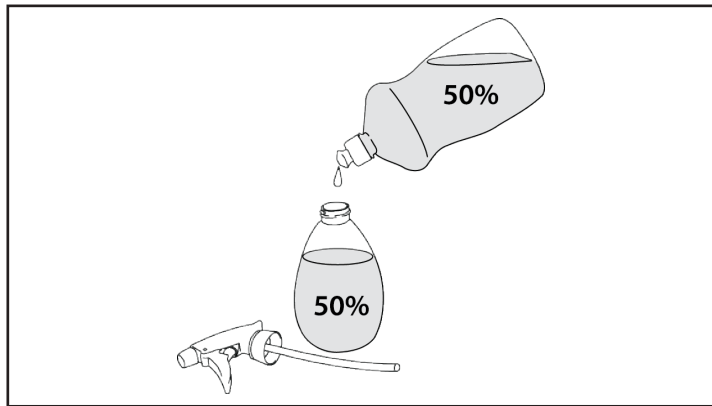
VÉRIFIER TOUS LES RACCORDEMENTS DE LA CONDUITE DE GAZ POUR DÉTECTER LES FUITES AVANT CHAQUE UTILISATION. NE PAS UTILISER LE GRIL SANS AVOIR INSPECTÉ TOUS LES RACCORDEMENTS. NE PAS FUMER PENDANT L'ESSAI D'ÉTANCHÉITÉ. NE JAMAIS EFFECTUER UN ESSAI D'ÉTANCHÉITÉ AVEC UNE FLAMME NUE.

## GÉNÉRALITÉS

Bien que les raccordements du gril aient été mis à l'essai en usine, un essai d'étanchéité complet doit être effectué sur les lieux d'installation. Avant chaque utilisation, vérifier que les raccordements ne fuient pas en suivant les instructions ci-dessous. En présence d'une odeur de gaz, soumettre immédiatement tous les raccordements à un essai d'étanchéité.

## AVANT L'ESSAI

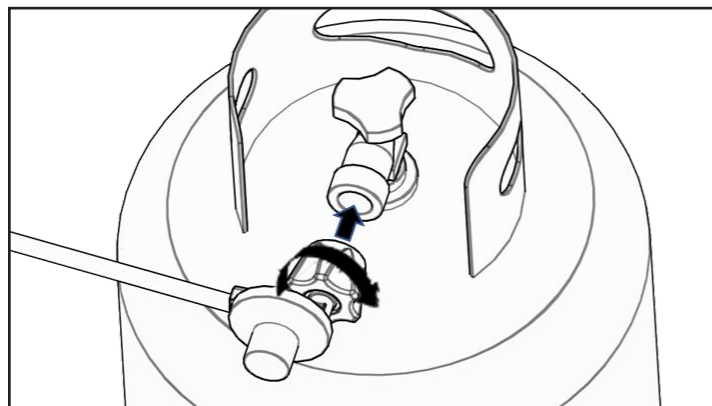
Vérifier que l'emballage a été entièrement retiré du gril, y compris les sangles des brûleurs.



## ÉTAPE 1

### PRÉPARER UN MÉLANGE D'EAU SAVONNEUSE

Préparer une solution constituée à parts égales d'eau et de savon à vaisselle sans ammoniac, à appliquer avec un pulvérisateur ou une brosse.




## ÉTAPE 2

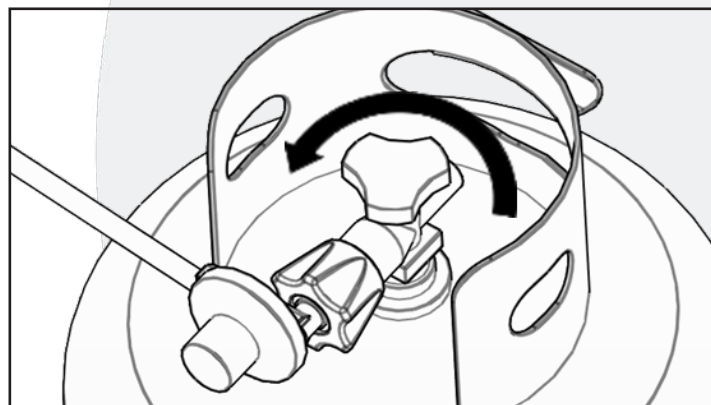
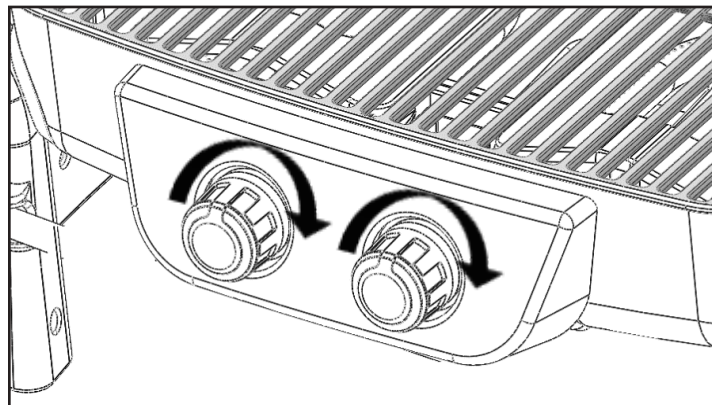
### RACCORDER LA BOUTEILLE DE PROPANE

Le robinet de la bouteille doit être fermé. Si ce n'est pas le cas, le tourner entièrement dans le sens horaire.

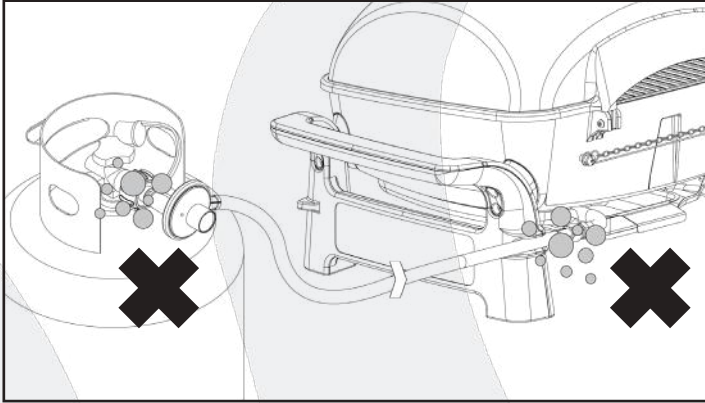
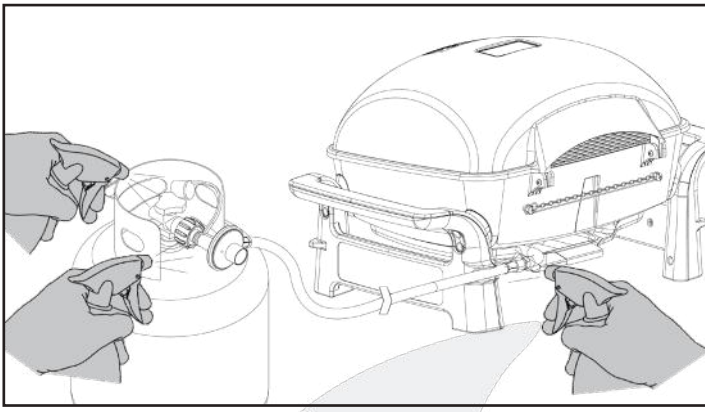
Vérifier que le robinet de la bouteille est doté d'un raccord fileté mâle externe de type 1, conformément à la plus récente norme ANSI Z21.81.

Vérifier que les brûleurs sont éteints (position ).

Vérifier les connexions entre le robinet de la valve et l'ensemble du régulateur. Retirer les débris et vérifier que la conduite n'est pas endommagée. Retirer le capuchon protecteur du raccord du régulateur. Lors du raccordement du régulateur au robinet, serrer fermement l'écrou de raccordement rapide dans le sens horaire, à la main; l'utilisation d'une clé pourrait l'endommager et entraîner une situation dangereuse. Ouvrir complètement le robinet de la bouteille en le tournant dans le sens antihoraire.







## ÉTAPE 3

### EFFECTUER L'ESSAI

1. Vérifier que les brûleurs sont éteints.
2. Tourner le robinet de la bouteille de propane dans le sens antihoraire pour l'ouvrir.
3. Appliquer l'eau savonneuse sur tous les raccordements de la conduite de gaz. Des bulles de savon apparaîtront en présence d'une fuite.
4. En cas de fuite, fermer immédiatement le robinet et resserrer les raccordements en cause.
5. Rouvrir le robinet et revérifier la présence de fuites.
6. Si la fuite persiste, fermer le robinet et communiquer avec le service à la clientèle au 1-866-984-7455 (États-Unis), au 1-800-648-5864 (Canada) ou au 1-909-718-1945 (International) en semaine, entre 8 h et 17 h (heure du Pacifique; service en anglais, en français et en espagnol), ou à [CostcoService@grillservices](mailto:CostcoService@grillservices).
7. Si la conduite est endommagée ou présente des signes d'abrasion ou d'usure excessive, elle doit être remplacée avant la prochaine utilisation.



#### AVERTISSEMENT

**NE PAS ENTREPOSER LE GRIL À L'INTÉRIEUR À MOINS D'AVOIR DÉBRANCHÉ LA BOUTEILLE. NE PAS ENTREPOSER LA BOUTEILLE DANS UN BÂTIMENT, UN GARAGE OU TOUT AUTRE ENDROIT FERMÉ. TOUJOURS TENIR HORS DE LA PORTÉE DES ENFANTS.**

### VÉRIFICATION FINALE APRÈS L'INSTALLATION

Tenir le gril à au moins 91,44 cm (36 po) de toute matière combustible ou structure.

1. L'emballage a entièrement été retiré de l'intérieur du gril.
2. La conduite avec régulateur est bien raccordée à la bouteille de propane.
3. Les raccordements ont été soumis à un essai d'étanchéité qui n'a révélé aucune fuite.
4. L'emplacement de la soupape d'arrêt du gaz a été déterminé.



#### AVERTISSEMENT

1. LE GRIL ET SA SOUPE D'ARRÊT DOIVENT ÊTRE DÉBRANCHÉS DE LA CONDUITE DE GAZ PENDANT LES ESSAIS DE PRESSION À UNE PRESSION SUPÉRIEURE À 3,5 KPA (0,5 PO/LB<sup>2</sup>).
2. SI, PENDANT UN ESSAI DE PRESSION DE LA CONDUITE DE GAZ, LA PRESSION BAISSE À 3,5 KPA (0,5 PO/LB<sup>2</sup>) OU MOINS, DÉBRANCHER L'APPAREIL DE LA CONDUITE DE GAZ EN FERMANT SA SOUPE D'ARRÊT.



#### AVERTISSEMENT :

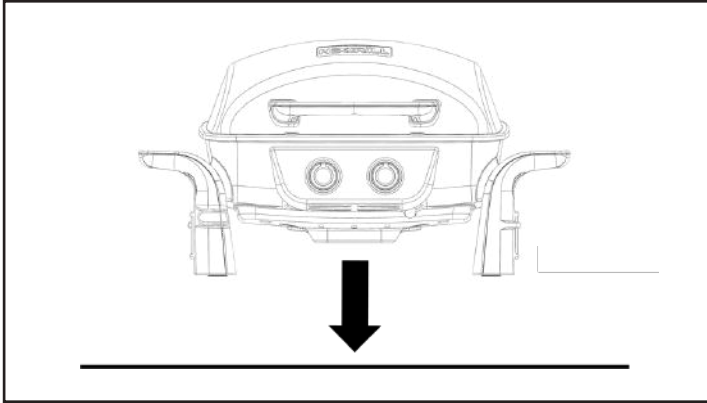
1. NE PAS ENTREPOSER DE BOUTEILLE DE PROPANE EN DESSOUS OU À PROXIMITÉ DE L'APPAREIL.
2. NE JAMAIS REMPLIR LA BOUTEILLE À PLUS DE 80 % DE SA CAPACITÉ.
3. LE NON-RESPECT DE CES CONSIGNES PEUT PROVOQUER UN INCENDIE QUI RISQUE D'ENTRAÎNER DES BLESSURES GRAVES OU MORTELLES.

# INSTRUCTIONS D'UTILISATION



CET APPAREIL DE CUISSON EST CONÇU POUR UN USAGE EXTÉRIEUR UNIQUEMENT ET NE DOIT PAS ÊTRE UTILISÉ DANS UN BÂTIMENT, UN GARAGE OU TOUT AUTRE ENDROIT FERMÉ.

## AVANT L'ALLUMAGE



### ÉTAPE 1

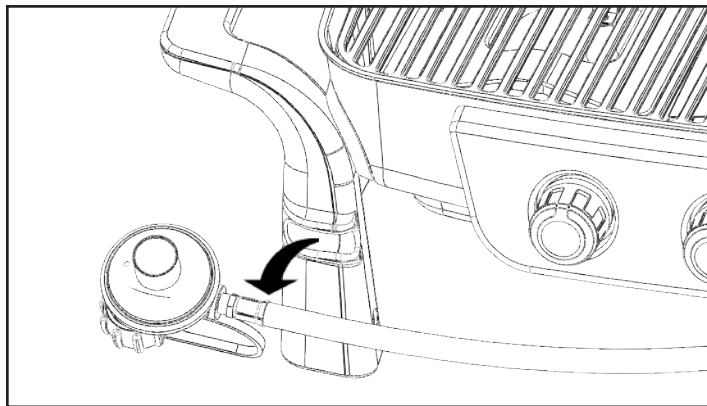
TROUVER UNE SURFACE PLANE OÙ PLACER LE GRIL.



### CONSIGNES DE DÉPLACEMENT

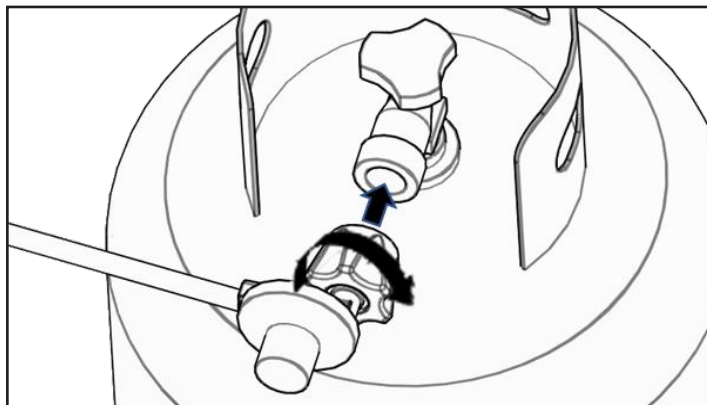
Attention : Ne jamais déplacer le grill lorsque les brûleurs sont allumés ou le grill est encore chaud. Vérifier que les brûleurs sont éteints (position O). Débrancher la conduite de gaz de la bouteille de propane et du grill. Attendre au moins 30 minutes que le grill refroidisse complètement. Fermer et verrouiller le couvercle. Fermez le couvercle. Transporter le grill par les poignées latérales.

**N.B. :** Il est recommandé de laisser le plateau à graisse en place, au bas du grill, puisque de la graisse pourrait encore s'égoutter de l'orifice de vidange pendant le transport.



### ÉTAPE 2

RETIRER LA CONDUITE DES ATTACHES À L'AVANT DU BARBECUE.



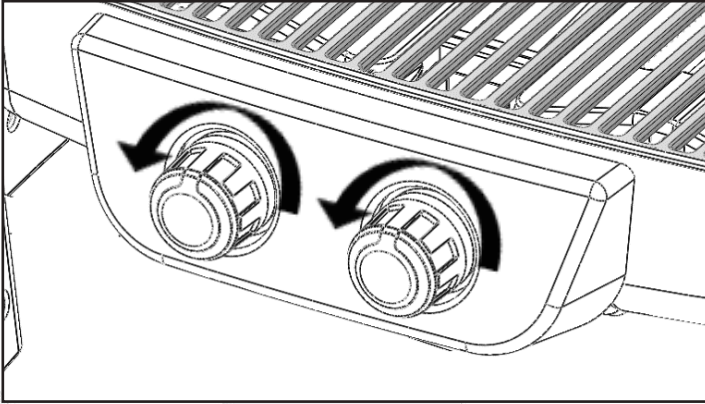
### ÉTAPE 3

CONNECTER À UN RÉSERVOIR.



## IMPORTANT – PREMIÈRE UTILISATION

Il importe d'allumer le gril et de le laisser chauffer pendant au moins 10 minutes avant de mettre des aliments sur la grille de cuisson. Il est normal que le gril dégage de la fumée à sa première utilisation. Après ce chauffage initial, le gril sera prêt à être utilisé. Pour faciliter le nettoyage, vaporiser un enduit antiadhésif sur la grille de cuisson.



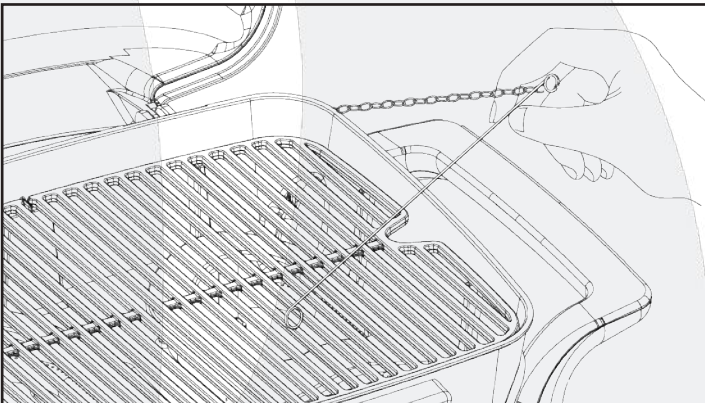
## ÉTAPE 4

**OUVRIR LE COUVERCLE ET ALLUMER LE GRIL EN TOURNANT LES BOUTONS.**



Si les brûleurs ne s'allument pas dans les 3 à 5 secondes, remettre les boutons en position arrêt, puis attendre 5 minutes avant de retenter d'allumer le gril. S'il ne s'allume toujours pas à la deuxième tentative, communiquer avec le service à la clientèle au 1-866-984-7455 (États-Unis), au 1-800-648-5864 (Canada) ou au 1-909-718-1945 (International) en semaine, entre 8 h et 17 h (heure du Pacifique; service en anglais, en français et en espagnol), ou par courriel à [CostcoService@grillservices](mailto:CostcoService@grillservices).

Une fois les brûleurs allumés, fermer doucement le couvercle et laisser le gril chauffer de 5 à 10 minutes avant de l'utiliser.



Si les boutons ne produisent pas d'étincelles, insérez une allumette dans la tige d'allumage. Allumer l'allumette, puis l'insérer entre les tiges de la grille jusqu'aux brûleurs.

## UTILISATION DU GRIL

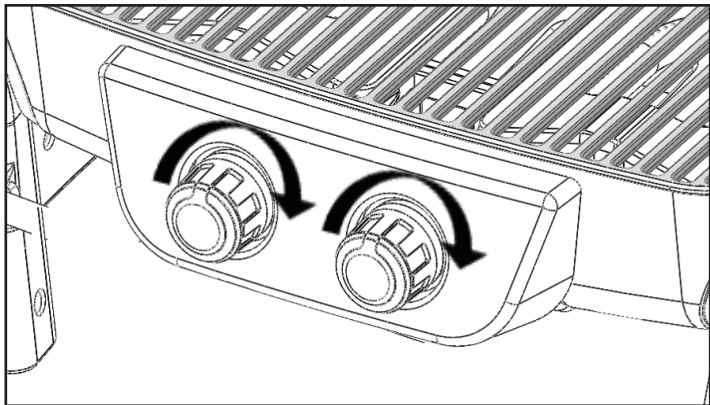


1. Fermer le couvercle et attendre que le gril se réchauffe pendant 5 minutes avant la cuisson.
2. Le gril peut être utilisé par n'importe quel temps. Le temps particulièrement froid ou chaud peut ralentir ou accélérer légèrement la cuisson. Tenir le gril à l'abri des vents forts.
3. Les temps de cuisson indiqués ci-dessous le sont à titre de référence et peuvent varier en fonction de l'épaisseur des viandes et de la cuisson souhaitée.

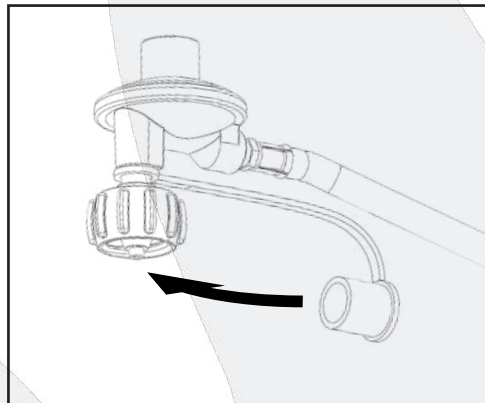
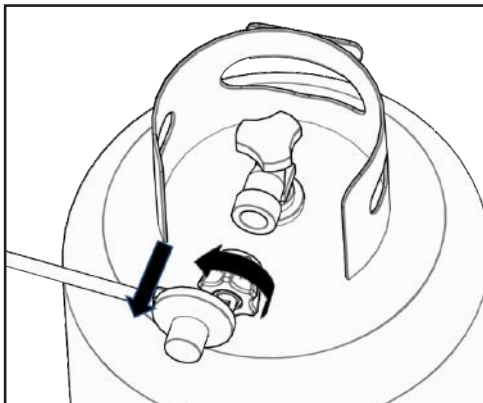
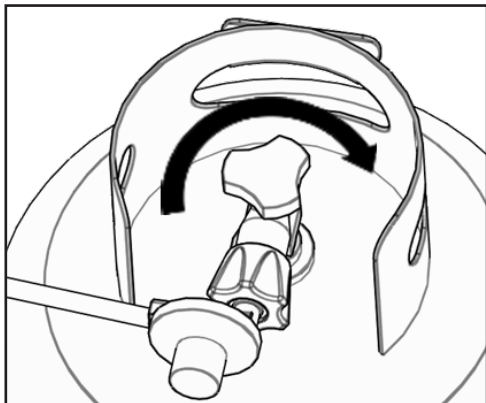


Bifteck d'ailoyau – Tranche épaisse, cuite à point : griller 10 minutes de chaque côté à intensité moyenne.  
Poulet – Quarts de poulet à frire de taille moyenne : griller 30 minutes de chaque côté à intensité moyenne. Vérifier que la viande est bien cuite.  
Porc – Côtes levées/côtelettes : griller de 10 à 20 minutes de chaque côté à intensité moyenne. Vérifier que la viande est bien cuite.  
Poisson – Griller de 20 à 30 minutes à intensité faible.  
Dinde – Poitrine : griller à intensité moyenne 10 minutes par 500 g ou jusqu'à ce que la température interne atteigne 77 °C (170 °F).

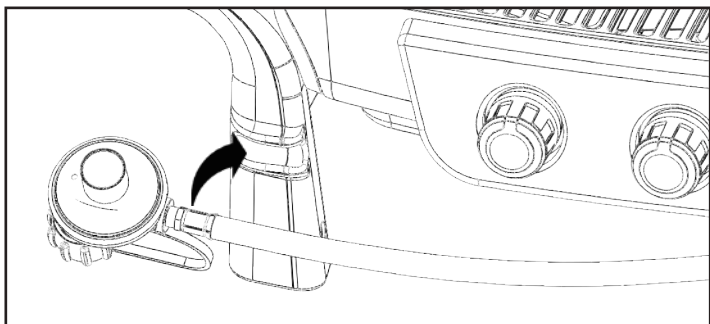
## ÉTEINDRE LE GRIL



1. Mettre les boutons en position éteinte (O).
2. Fermer le robinet du réservoir de propane.  
**MISE EN GARDE :** Ne pas rallumer le grill sans suivre toutes les consignes d'allumage.
3. Laisser le grill refroidir pendant au moins 30 minutes avant de le déplacer ou de le transporter.



## EXIGENCES D'ENTREPOSAGE ET DE TRANSPORT



Avant le transport et l'entreposage du barbecue, mettre le capuchon protecteur sur le raccord du régulateur et insérer la conduite dans les attaches à l'avant du barbecue.

## ENTRETIEN ET NETTOYAGE

### LE GRIL NÉCESSITE PEU DE NETTOYAGE ET D'ENTRETIEN.

Le grill de table est fait de matériaux qui ont une longue durée de vie dans des conditions d'utilisation normales. Le respect des consignes ci-dessous optimise la durée de vie du grill et la qualité de cuisson. Pour assurer une utilisation sécuritaire du grill, l'aire de cuisson ne doit jamais comporter de matières combustibles d'aucune sorte (p. ex. essence ou autres vapeurs et liquides inflammables).

**PIÈCES EXTERNES DU GRIL :** Ces pièces en fonte d'aluminium et en plastique se nettoient facilement avec de l'eau chaude savonneuse.

**GRILLE DE CUISSON ET PLATEAU À GRAISSE :** La grille de cuisson est en fonte recouverte. Il faut la nettoyer avec une brosse immédiatement après la cuisson, pendant que le grill est encore chaud. Le plateau à graisse se nettoie facilement avec de l'eau chaude savonneuse.

**MISE EN GARDE :** Le plateau à graisse doit toujours être propre et exempt d'accumulations qui pourraient empêcher le grill de fonctionner correctement et entraîner des embrasements.

## RETRAIT DES TOILES D'ARAIGNÉES

### DANGER NATUREL – ARAIGNÉES ET INSECTES

Les araignées et les petits insectes s'introduisent parfois dans le tube des brûleurs. Les araignées y tissent des toiles, construisent des nids et pondent des œufs. Ces toiles et ces nids peuvent être très petits, mais suffisamment résistants pour bloquer le flux du gaz, causant une situation dangereuse. Avant d'utiliser l'appareil, nettoyer les brûleurs après un entreposage, au début de la saison ou lorsqu'il n'a pas servi pendant un mois ou plus.





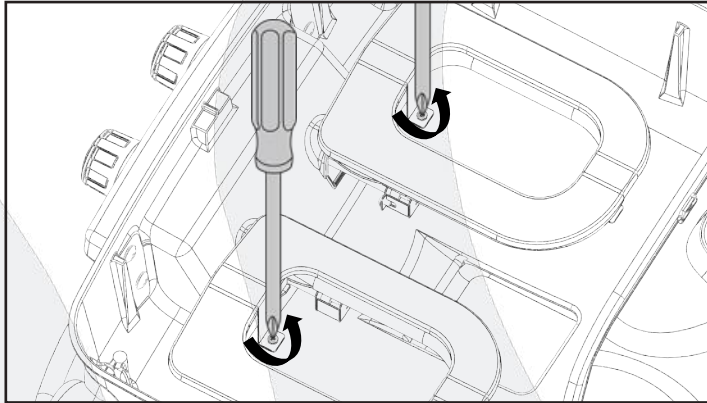
## VÉRIFICATION DE LA PRÉSENCE D'ARAIGNÉES

Inspecter les brûleurs au moins deux fois par an ou lorsque survient l'une des situations suivantes:

1. Les flammes produites par les brûleurs sont jaunes et accompagnées d'une odeur de gaz.
2. Le grill n'atteint pas la température souhaitée.
3. Le grill ne chauffe pas de manière uniforme.
4. Des petits bruits secs proviennent des brûleurs.

## NETTOYAGE

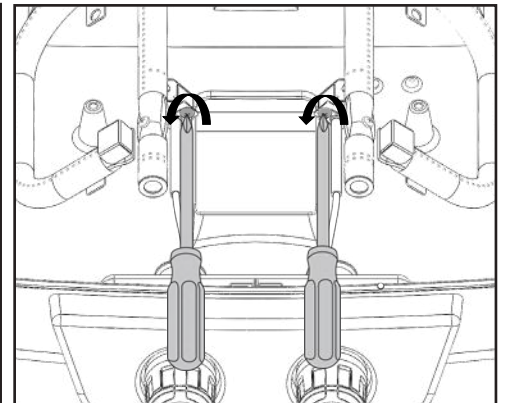
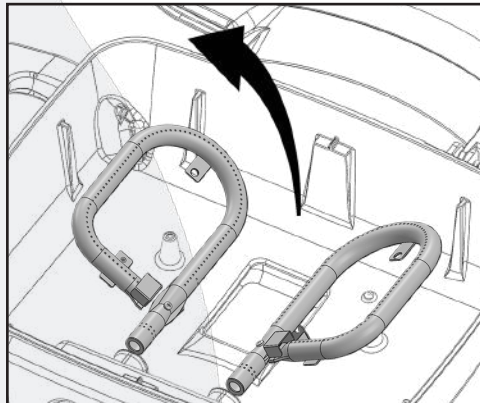
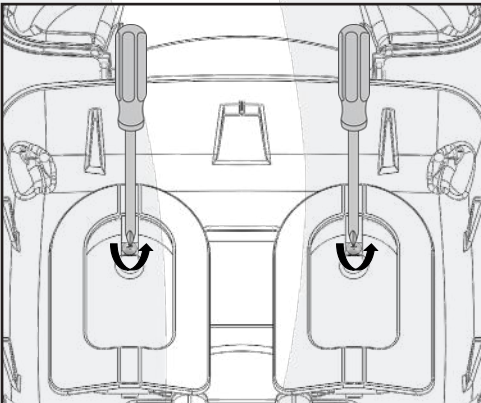
**BRÛLEURS** – La fréquence de nettoyage des brûleurs dépend de la fréquence d'utilisation du grill. Il faut faire extrêmement attention lorsque l'on enlève et remet en place les brûleurs. Ils doivent être correctement alignés avec les orifices avant que le grill ne soit rallumé. Autrement, des flammes pourraient naître derrière ou sous le panneau de commande, endommageant le grill et rendant son utilisation hasardeuse. Avant le nettoyage, vérifier que le robinet de la bouteille de propane et les boutons de commande sont en position fermée (O) et que les brûleurs sont refroidis. Débranchez le tuyau et le régulateur de la bouteille de gaz.



### ÉTAPE 1

Retirer les brûleurs:

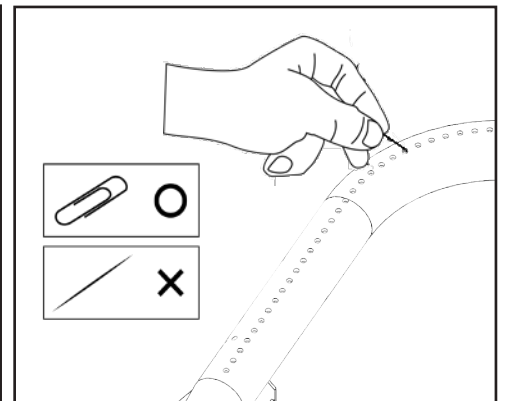
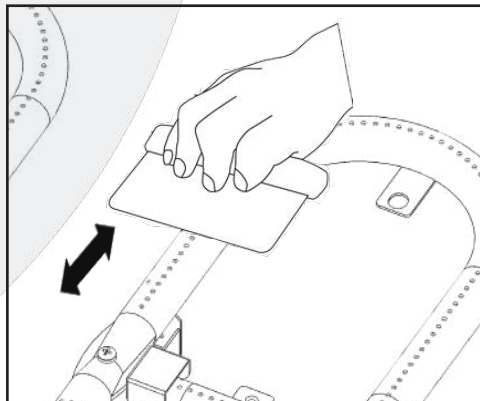
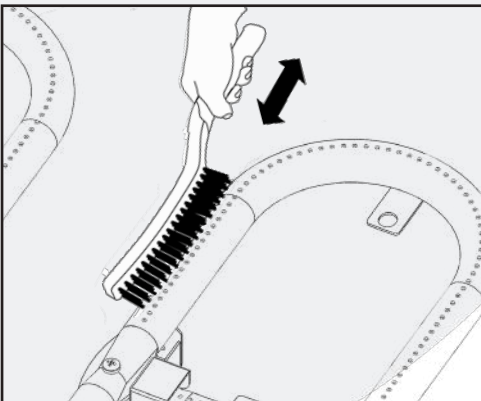
1. Retirer l'écran thermique de plateau à graisse située entre les brûleurs.
2. Repérer la vis de chaque brûleur à l'avant et à l'arrière de la chambre de cuisson.
3. Retirer la vis et soulever les brûleurs pour les dégager de la chambre de cuisson.
4. Retirer les allumeurs des brûleurs.

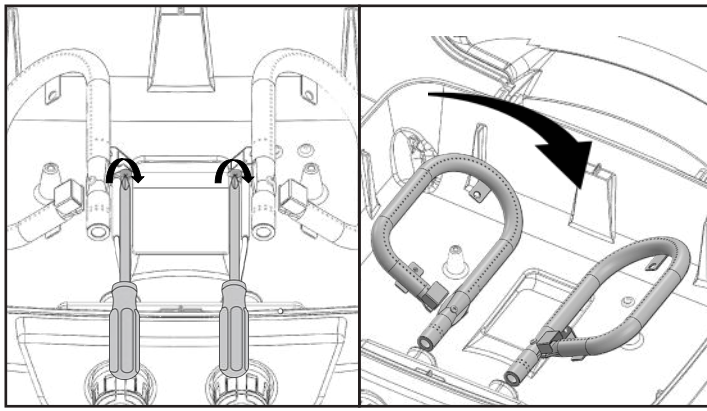


### ÉTAPE 2

Nettoyer les brûleurs:

1. Nettoyer l'extérieur des brûleurs avec une brosse métallique. Enlever les taches et les dépôts tenaces avec un grattoir métallique.
2. Dégager les orifices bloqués avec un trombone déplié. Ne jamais utiliser de cure-dents en bois, car il pourrait se briser et boucher l'orifice.
3. Inspecter les brûleurs et les tubes de venturi et retirer les insectes et les nids. Un tube bouché augmente le risque que des flammes naissent sous ou derrière le panneau de commande.

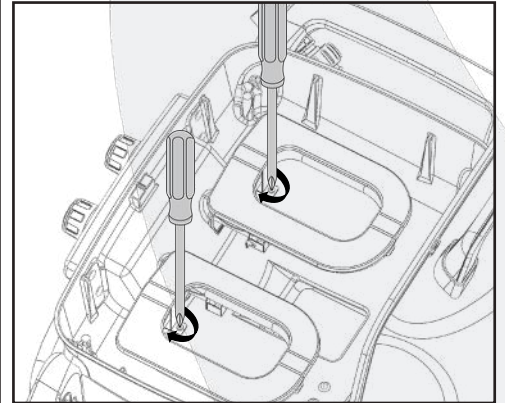
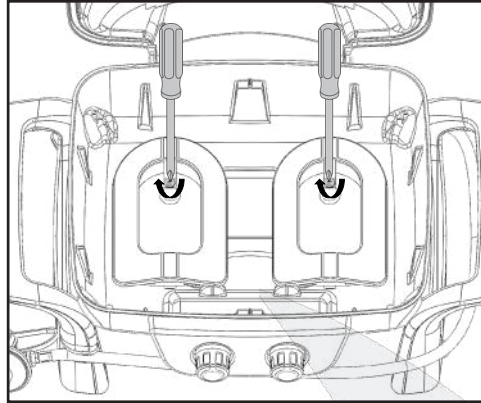
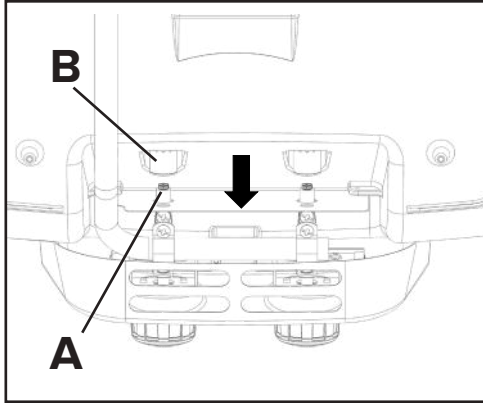




## ÉTAPE 3

Réinstaller les brûleurs :

1. Remettre les allumeurs en place sur les brûleurs.
2. Insérer les brûleurs sur la soupape à gaz.
3. Vérifier que les extrémités (A) sont à l'intérieur des tubes de venturi des brûleurs (B).
4. Aligner le trou de la vis des brûleurs à ceux de la chambre de cuisson, puis insérer et serrer les vis.
5. Installer l'écran thermique de plateau à graisse dans la partie supérieure du trou de la chambre de cuisson situé entre les brûleurs.



### CHAMBRE DE CUISSON

Nettoyer avec de l'eau chaude savonneuse. Éviter les accumulations de graisse.

### ORIFICE DE VIDANGE

L'orifice doit être exempt de graisse et de particules alimentaires pour que l'égouttement se fasse correctement dans le plateau à graisse. Il faut donc le nettoyer pour assurer le bon fonctionnement du grill.



Comme tout autre appareil, le grill conservera une meilleure apparence et durera plus longtemps s'il est à l'abri des intempéries quand il n'est pas utilisé.

## RANGEMENT



**MISE EN GARDE :** Ne pas entreposer les bouteilles de propane dans un endroit clos. Laisser le grill refroidir pendant au moins 30 minutes avant de le couvrir d'une housse ou de le déplacer.

- Ne pas bloquer la circulation de l'air de combustion et de ventilation.
- Un tube bouché augmente le risque d'apparition de flammes sous l'appareil.



Ne jamais utiliser l'appareil à proximité de matières combustibles, d'essence ni de vapeurs et de liquides inflammables. Veiller à ce que toutes les ouvertures du grill soient dégagées et exemptes de débris, et qu'aucun objet ou matière n'obstrue la circulation de l'air de combustion et de ventilation. Toujours déplier les pieds avant d'utiliser le grill. Vérifier qu'il n'y a pas d'insectes, de nids ou d'autres obstructions dans les prises d'air des brûleurs (derrière le dispositif de protection, à l'extrême droite du grill). Veiller à ce que les fentes dans les tubes des brûleurs soient dégagées.

Lorsque le grill n'est pas utilisé, tournez les boutons de commande en position d'arrêt (O), fermez le robinet de la valve sur la bouteille de propane et débranchez la bouteille propane de la conduite de gaz. Si le grill est entreposé à l'intérieur, débrancher la bouteille et la laisser à l'extérieur. Conserver les bouteilles de propane hors de la portée des enfants.

# ÉNONCÉ DE GARANTIE

Nexgrill garantit au premier acheteur seulement que ce produit (modèle 820-0072) sera exempt de défauts de matériaux et de fabrication, après un assemblage approprié et dans des conditions normale et raisonnable d'utilisation domestique, pour les périodes indiquées ci-dessous, à compter de la date d'achat. Le fabricant se réserve le droit d'exiger des photographies ou le retour des pièces défectueuses, dont l'envoi est aux frais du consommateur, aux fins d'évaluation et d'examen.

**BRÛLEURS PRINCIPAUX :** Garantie LIMITÉE de 5 ans contre la perforation.

**GRILLE DE CUISSON :** Garantie LIMITÉE de 5 ans ; ne couvre pas les égouttures, l'effritement, les égratignures ou les dommages superficiels.

**AUTRES PIÈCES :** Garantie LIMITÉE de 2 ans (y compris, sans toutefois s'y limiter les vannes, le cadre, le boîtier, le panneau de commande, l'allumeur, le régulateur et les tuyaux). \* Ne couvre pas l'effritement, les égratignures, la fissuration par corrosion et la rouille.

Dès réception de la preuve d'achat fournie par le consommateur, le fabricant réparera ou remplacera les pièces qui s'avèrent défectueuses pendant la période de garantie applicable, durant laquelle les pièces requises pour effectuer la réparation ou le remplacement seront gratuites à l'exception des frais de transport. Le premier acheteur est responsable de tous les frais de transport des pièces remplacées en vertu de la présente garantie limitée. La garantie limitée n'est valide qu'aux États-Unis et au Canada, n'est offerte qu'au premier propriétaire du produit et n'est pas transférable. Le fabricant exige une preuve raisonnable de la date d'achat. L'acheteur devrait donc conserver le reçu ou la facture. Si l'appareil est un cadeau, demander à l'acheteur d'envoyer le reçu à l'adresse ci-dessous. Les pièces défectueuses ou manquantes couvertes par la garantie limitée ne seront pas remplacées sans enregistrement du produit ou preuve d'achat. La garantie limitée couvre les problèmes fonctionnels SEULEMENT et non les problèmes esthétiques tels que les égratignures, les bosses, la corrosion ou la décoloration causée par la chaleur, les produits nettoyants abrasifs ou chimiques ou l'utilisation d'outil durant l'assemblage ou l'installation de l'appareil, la rouille superficielle ou la décoloration des surfaces en acier inoxydable. La rouille superficielle, la corrosion ou l'écaillage de la peinture en poudre sur les pièces en métal qui ne compromet pas l'intégrité structurelle du produit n'est pas considéré comme un défaut de matériaux ou de fabrication et n'est donc pas couvert par la garantie. La garantie limitée ne couvre pas les désagréments, la perte d'aliments, les blessures et les dommages matériels. Si une pièce de rechange d'origine n'est pas disponible, une pièce équivalente sera expédiée. Les frais de transport des pièces remplacées en vertu de la garantie limitée sont à la charge de l'acheteur.

LE FABRICANT N'EST PAS RESPONSABLE DES FRAIS LIÉS AUX ÉLÉMENTS SUIVANTS :

- Visites à domicile.
- Réparations d'un produit dont l'utilisation ne correspond pas à un usage unifamilial ou domestique normal.
- Dommages causés par un accident, une modification, une mauvaise utilisation, un manque d'entretien ou de nettoyage, un usage abusif, un incendie, une inondation, un cas de force majeure, une installation fautive, une installation non conforme aux codes de l'électricité ou de la plomberie, ou l'utilisation de produits non approuvés par le fabricant.
- Perte d'aliments due à une défaillance du produit.
- Pièces de rechange ou frais de main-d'œuvre pour la réparation d'appareils utilisés hors des États-Unis ou du Canada.
- Ramassage et livraison du produit.
- Port ou traitement des photographies envoyées à titre de preuve.
- Réparations de pièces ou de systèmes résultant de modifications non autorisées.
- Retrait ou réinstallation du produit.
- Expédition standard ou accélérée des pièces de rechange couvertes ou non par la garantie.

EXONÉRATION DE GARANTIES IMPLICITES; LIMITATION DES RECOURS

La réparation ou le remplacement des pièces défectueuses est le seul recours en vertu de la garantie limitée. Le fabricant n'est pas responsable des dommages indirects ou accessoires entraînés par la violation de la garantie limitée ou de toute garantie implicite applicable, ni des défauts ou des dommages causés par un cas de force majeure, un entretien et un nettoyage inadéquats, un feu de graisse, un accident, une modification du produit, le remplacement de pièces par une personne autre que le fabricant, une mauvaise utilisation, le transport du produit, un usage commercial ou abusif, un milieu hostile (intempéries, phénomènes naturels ou dommages causés par des animaux) ou une installation inadéquate ou non conforme aux codes locaux ou aux instructions imprimées du fabricant.

LA PRÉSENTE GARANTIE LIMITÉE EST LA SEULE GARANTIE EXPRESSE FOURNIE PAR LE FABRICANT. AUCUNE SPÉCIFICATION OU DESCRIPTION EN MATIÈRE DE RENDEMENT N'EST GARANTIE PAR LE FABRICANT SAUF DANS LA MESURE STIPULÉE PAR LA PRÉSENTE GARANTIE LIMITÉE. TOUTE GARANTIE IMPLICITE EN VERTU DES LOIS ÉTATIQUES OU PROVINCIALES, Y COMPRIS LA GARANTIE IMPLICITE DE QUALITÉ MARCHANDE ET D'ADAPTATION À UN USAGE DONNÉ, EST LIMITÉE À LA DURÉE DE LA PRÉSENTE GARANTIE LIMITÉE.

Ni le détaillant ni le commerçant n'est autorisé à offrir une garantie supplémentaire ou à promettre des recours au-delà de ceux susmentionnés ou incompatibles avec ceux-ci. Le montant de la responsabilité maximale du fabricant ne peut en aucun cas dépasser le prix d'achat documenté du produit payé par le premier acheteur. La garantie ne s'applique qu'aux appareils achetés auprès d'un détaillant ou d'un revendeur autorisé. N.B. : Puisque certains États et certaines provinces ne permettent pas l'exclusion ou la restriction des dommages indirects ou accessoires, certaines des restrictions ou des exclusions énoncées ci-dessus pourraient ne pas s'appliquer. La garantie limitée donne des droits spécifiques à l'acheteur, qui pourrait aussi avoir d'autres droits selon l'État ou la province où il habite.

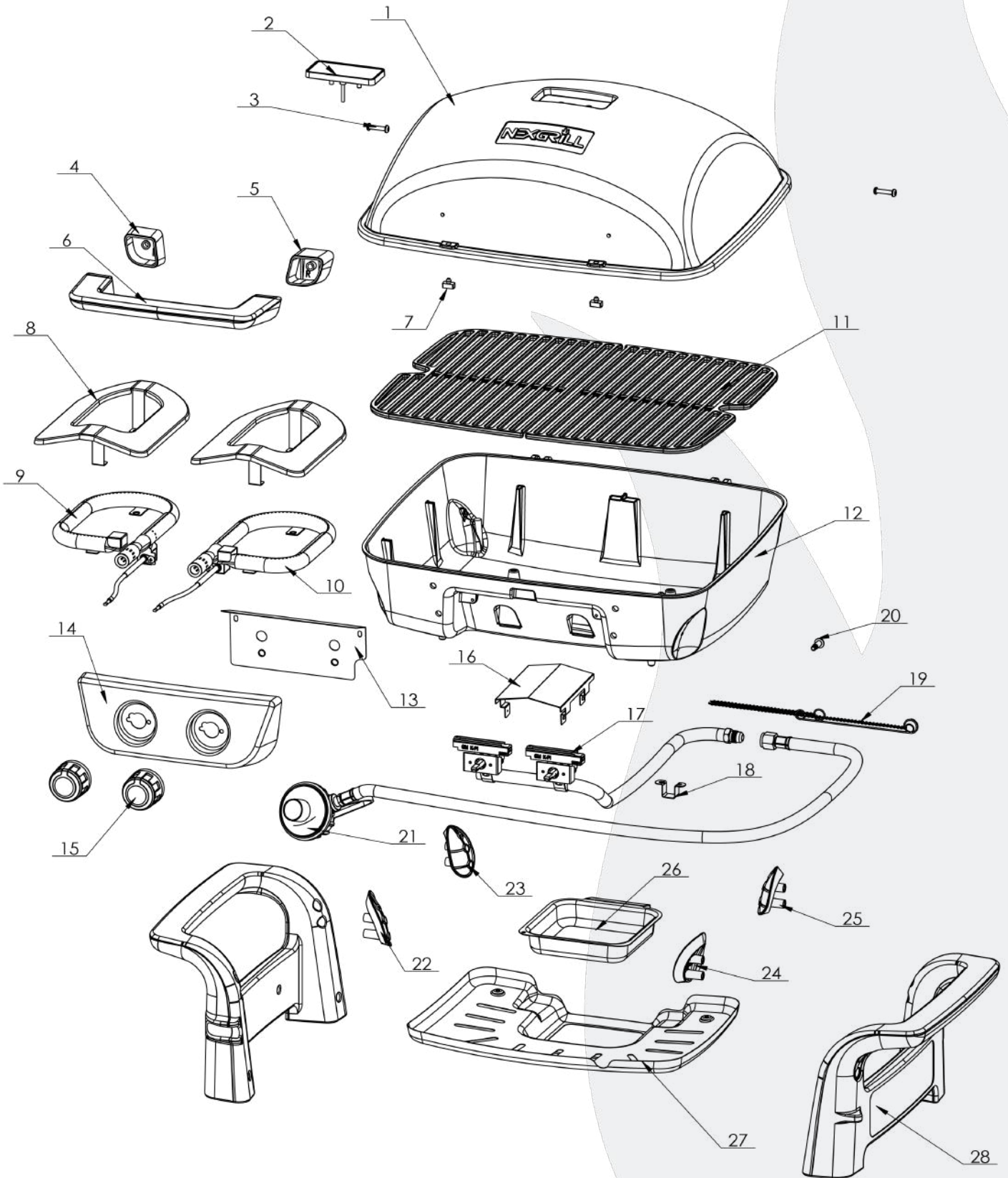
Pour demander l'exécution d'une obligation en vertu de cette garantie limitée, écrire à :

Nexgrill Customer Relations  
14050 Laurelwood Place  
Chino, CA 91710  
ÉTATS-UNIS

Pour retourner un produit, commander des pièces ou obtenir des renseignements généraux ou de l'assistance technique, communiquer avec le service à la clientèle au 1-866-984-7455 (États-Unis), au 1-800-648-5864 (Canada) ou au 1-909-718-1945 (International) en semaine, entre 8 h et 17 h (heure du Pacifique; service en anglais, en français et en espagnol).  
CostcoService@grillservices.com



# LISTE DES PIÈCES DE RECHANGE





N°	PIÈCE (DESCRIPTION)	GARANTIE	QTÉ	N°	PIÈCE (DESCRIPTION)	GARANTIE	QTÉ
<b>1</b>	Couvercle	5 ans* <sup>▲</sup> (Matériaux) 2 ans <sup>▲</sup> (Peinture)	1	<b>15</b>	Bouton de commande	2 ans	2
<b>2</b>	Indicateur de température	2 ans	1	<b>16</b>	Écran thermique de plateau à graisse	2 ans	1
<b>3</b>	Vis du couvercle	2 ans	2	<b>17</b>	Soupape à gaz	2 ans	2
<b>4</b>	Siège de la poignée du couvercle, gauche	2 ans	1	<b>18</b>	Support de collecteur principal	2 ans	1
<b>5</b>	Siège de la poignée du couvercle, droite	2 ans	1	<b>19</b>	Vis du tige d'allumage	2 ans	2
<b>6</b>	Poignée du couvercle	2 ans	1	<b>20</b>	Tige d'allumage	2 ans	1
<b>7</b>	Couvercle de fumeur	2 ans	2	<b>21</b>	Régulateur	2 ans	1
<b>8</b>	Dispositif de contrôle des flammes	2 ans	2	<b>22</b>	Isolant thermique des pattes, avant droit	2 ans	1
<b>9</b>	Brûleur principal gauche	5 ans	1	<b>23</b>	Isolant thermique des pattes, arrière droit	2 ans	1
<b>10</b>	Brûleur principal droit	5 ans	1	<b>24</b>	Isolant thermique des pattes, avant gauche	2 ans	1
<b>11</b>	Grille de cuisson	5 ans	2	<b>25</b>	Isolant thermique des pattes, arrière gauche	2 ans	1
<b>12</b>	Chambre de cuisson	5 ans* <sup>▲</sup> (Matériaux) 2 ans <sup>▲</sup> (Peinture)	1	<b>26</b>	Plateau à graisse	2 ans	1
<b>13</b>	Écran thermique panneau de commande	2 ans	1	<b>27</b>	Ferrure du plateau à graisse	2 ans	1
<b>14</b>	Panneau de commande	2 ans	1	<b>28</b>	Pattes	2 ans	2

\* - À L'EXCEPTION DES TROUS DANS LES PIÈCES EN FONTE D'ALUMINIUM CAUSÉS PAR LA CORROSION OU LA CHALEUR.

▲ - À L'EXCEPTION DE LA DÉCOLORATION OU DU TERNISSEMENT.

## DÉPANNAGE


PROBLÈME	SOLUTION
Le gril ne s'allume pas.	<ol style="list-style-type: none"> <li>Vérifier qu'il reste du propane dans la bouteille.</li> <li>Vérifier que les orifices des brûleurs ne sont pas obstrués. Utiliser un trombone pour les dégager.</li> <li>Vérifier que l'orifice de gaz des brûleurs n'est pas obstrué. Utiliser une aiguille pour le dégager.</li> </ol>
La flamme des brûleurs est jaune ou orangée, et accompagnée d'une odeur de gaz.	<ol style="list-style-type: none"> <li>Vérifier la présence d'araignées et d'insectes.</li> <li>Communiquer avec le service à la clientèle au 1-866-984-7455 (États-Unis), au 1-800-648-5864 (Canada) ou au 1-909-718-1945 (International) en semaine, entre 8 h et 17 h (heure du Pacifique; service en anglais, en français et en espagnol), ou par courriel à <a href="mailto:CostcoService@grillservices.com">CostcoService@grillservices.com</a>.</li> </ol>
Les brûleurs dégagent peu de chaleur alors que les boutons sont au réglage le plus élevé.	<ol style="list-style-type: none"> <li>Vérifier qu'il n'y a pas de poussière là où se trouve le gril.</li> <li>Vérifier que les brûleurs et les orifices sont propres.</li> <li>Vérifier la présence d'araignées et d'insectes.</li> <li>Vérifier qu'il reste suffisamment de propane.</li> <li>Faire préchauffer le gril pendant 5-10 minutes.</li> </ol>

# INFORMACIÓN DE SEGURIDAD IMPORTANTE

**PELIGRO:** Si usted siente olor a gas:


1. Cierre el suministro de gas al aparato.
2. Extinga cualquier llama que esté al descubierto.
3. Abra la tapa.
4. Si continúa el olor, manténgase lejos del aparato y llame inmediatamente a su proveedor de gas o al departamento de bomberos.

**PELIGRO**

- 
1. Nunca opere este dispositivo sin prestarle atención.
  2. Nunca opere este dispositivo dentro de una distancia de 10 pies (3,05 m) de cualquier tipo de estructura, material combustible u otro cilindro con gas.
  3. Nunca opere este dispositivo dentro de una distancia de 25 pies (7,62 m) de cualquier tipo de líquido inflamable.
  4. Este dispositivo no está diseñado ni debe usarse como calentor.
  5. En caso de incendio, manténgase alejado del dispositivo e inmediatamente llame al departamento de bomberos. No intente extinguir el fuego originado por grasa o aceite con agua.

**EN CASO DE QUE ESTAS INSTRUCCIONES NO SE CUMPLIERAN, ELLO PODRÍA DAR COMO RESULTADO UN INCENDIO O UNA EXPLOSIÓN QUE PODRÍA CAUSAR LESIONES CORPORALES GRAVES, LA MUERTE O DAÑOS A LA PROPIEDAD.**

**RESIDENTES DE CALIFORNIA SOLAMENTE - ADVERTENCIA:**



Este producto y los combustibles usados para operar este producto (propano líquido), y los productos de la combustión de tales combustibles, pueden exponerle a los productos químicos incluyendo el benceno, que es conocido por el Estado de California para causar cáncer y daño reproductivo. Para más información, visite [www.P65Warnings.ca.gov](http://www.P65Warnings.ca.gov)

## SEGURIDAD PARA LA PARRILLA

**EL SISTEMA DE COMBUSTIBLE:** Millones de personas usan las parrillas de gas sin peligro si siguen unas simples precauciones. Los elementos del sistema de combustible están diseñados para funcionar con esta parrilla. No debe de reemplazarlos por ninguna otra marca. (Vea la lista de partes si necesita artículos de repuesto.)

**QUEMADOR DE GAS:** El quemador de gas está construido de acero inoxidable y no requiere más mantenimiento que la inspección para ver si hay insectos o nidos adentro de las ranuras de entrada del aire.

**PRECAUCIÓN CON EL REGULADOR DE GAS LP:** Se debe usar el regulador de presión de gas que acompaña este dispositivo. Este regulador está equipado con el orificio requerido y está ajustado para la presión requerida de salida de este aparato. Esta combinación de tamaño de orificio y especificaciones de regulación de presión proporciona el rendimiento de cocción deseado.

**MANGUERA DE SUMINISTRO DE COMBUSTIBLE:** La manguera conectada al regulador que viene con este aparato mide 91,44 cm (3 pies) de longitud. Mantenga la manguera de combustible alejada de cualquier superficie caliente.

**ADVERTENCIA DE COMBUSTIBLE DE GAS PROPANO:**

El propano es un gas inflamable. Su manejo incorrecto puede causar explosiones, incendios y otros accidentes y lesiones graves. La parrilla está diseñada para funcionar exclusivamente con gas propano (LP) y está equipada con el orificio indicado para gas propano.

**PRECAUCIÓN:** No conecte esta parrilla con ningún suministro de gas que no sea propano. El gas propano es más pesado que el aire y tiende a asentarse en las áreas bajas. Asegúrese de que haya una ventilación adecuada al usar la parrilla. Cuando no esté usando la parrilla debe guardar el cilindro de gas afuera, en un área bien ventilada y fuera del alcance de los niños.

# INFORMACIÓN DE SEGURIDAD IMPORTANTE

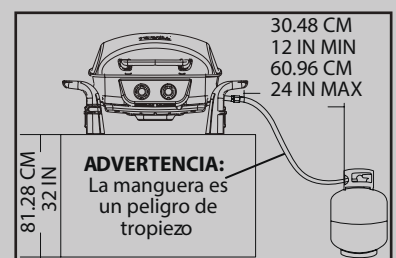
Lea las siguientes instrucciones con cuidado antes de ensamblar, instalar u operar el producto. El incumplimiento de estas instrucciones puede ocasionar lesiones graves y/o daños materiales. Para obtener un reemplazo del producto, por favor llame al Departamento del Servicio al Cliente al: 1-866-984-7455 (E.U.), 1-800-648-5864 (Canada), y 1-909-718-1945 (Internacional). Lenguajes hablados: Ingles, Frances, y Español de 8 a.m.-5 p.m., PST. Lunes –Viernes. También puede comunicarse con nosotros por correo electrónico a: CostcoService@grillservices.com.

El cilindro de suministro de gas LP debe estar construido y marcado según las especificaciones para los cilindros de gas LP del Departamento de Transporte de los Estados Unidos de América (DOT) o según la norma nacional de Canadá, CAN-B339, Cilindros, esferas y tubos para el transporte de artículos peligrosos.

1. La instalación debe apegarse a las normas locales o, a falta de éstas, a los códigos nacionales de gas combustible, al Código Nacional de Gas combustible ANSI Z223.1/NFPA 54, Almacenamiento y manejo de gases de petróleo licuados, ANSI/NFPA 58, o la norma de vehículos recreativos ANSI A119.2/NFPA 1192 y el código de vehículos recreativos CSA Z240 RV, según sea el caso.
2. La parrilla se debe utilizar exclusivamente en lugares abiertos. La parrilla debe usarse en lugares bien ventilados. Nunca la use en espacios cerrados, como cocheras y edificios. La parrilla no debe instalarse en vehículos o barcos recreativos.
3. Los líquidos calentados mantienen la temperatura de hervor aun mucho después del proceso de cocción. No toque el dispositivo de cocción hasta que la temperatura de los líquidos haya bajado a 46,11 °C (115 °F) o menos.
4. No la instale ni la use a menos de 91,44 cm (36 in) de distancia de materiales combustibles, contando de la parte trasera y de los lados de la parrilla. La parrilla no debe colocarse debajo de superficies elevadas (cochera cerrada, cochera, porche, patio) que puedan arder.
5. Nunca trate de conectar esta parrilla al sistema autónomo de gas LP de un remolque o casa rodante.
6. Es responsabilidad del dueño y de quien la ensamble ensamblar, instalar y darle mantenimiento a la parrilla de gas. No deje que los niños operen la parrilla ni que jueguen ellos o mascotas cerca de ella. El incumplimiento de estas instrucciones puede ocasionar lesiones graves y/o daños materiales.
7. Siempre abra la tapa antes de encender la parrilla. Cuando la parrilla no esté en uso, cierre la valvula del cilindro de gas LP.
8. Siga cuidadosamente las instrucciones de esta manual para ensamblar debidamente la parrilla y detectar si tiene fugas. No use la parrilla hasta haber revisado si tiene fugas. Si detecta una fuga en cualquier momento, debe apagar y corregirla antes de seguir usando la parrilla.
9. El área del aparato debe de mantenerse limpia y sin materiales combustibles, gasolina, gas embotellado en cualquier forma y otros vapores y líquidos inflamables. No obstruya el flujo de combustión y del aire de la ventilación.
10. ¡Nunca trate de encender la parrilla con la tapa cerrada! La acumulación de gases es muy peligrosa y puede causar una explosión.
11. Mantenga todos los cables eléctricos y la manguera de combustible alejados de superficies calientes.
12. El propano es un gas inflamable y su manejo incorrecto puede causar explosiones, incendios y otros accidentes y lesiones graves.
13. Este aparato estara caliente antes y después del uso. Use guantes aislados para horno u otro tipo de guantes para protegerse de las superficies calientes y las salpicaduras de los líquidos de cocción.
14. No descuide el asador mientras lo esté utilizando.
15. No lo use bajo los efectos de drogas o alcohol.
16. No guarde cilindros de repuesto de gas propano (LP), llenos o vacíos, abajo o cerca de la parrilla.
17. Este aparato no está destinado a usos comerciales ni para ser rentado.
18. Debe desconectar el cilindro cuando no utilice el aparato.



- Siempre opere la parrilla sobre una mesa, no superior a 81.28 cm (32 pulgadas) y no inferior a 60.96 cm (24 pulgadas).
- Coloque el tanque de gas propano en el suelo adyacente a la mesa y con un espacio libre mínimo de 30.48 cm (12 in) y no más de 60.96 cm (24 in) de la parrilla.
- No cumplir estas instrucciones puede hacer que el tanque de gas propano se sobrecaliente y ventile el propano, el cual podría encenderse ocasionando graves lesiones personales o daños materiales; además habría el riesgo de tropezarse con la manguera de gas o el tanque de propano, tirando la parrilla del mostrador lo que ocasionaría lesiones personales y daños materiales graves.



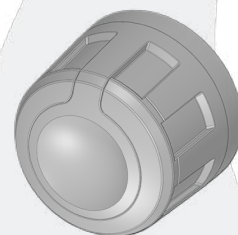
# LISTA DE PARTES

---

**A**



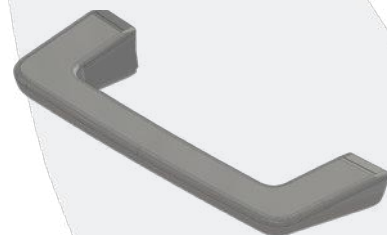
**Bx2**



**Cx2**



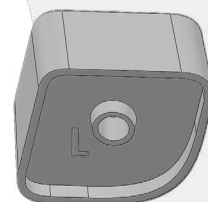
**D**



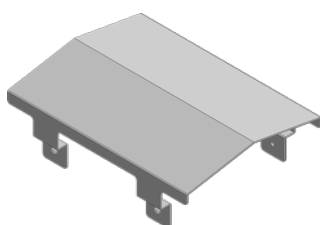
**E**



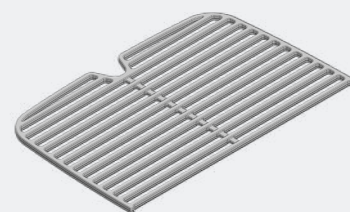
**F**



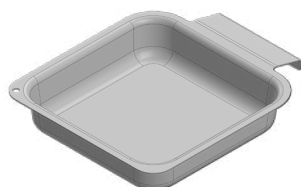
**G**



**Hx2**



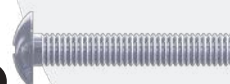
**I**



**Jx8**



**Kx2**



**Lx2**







### PREPARACIÓN

Antes de iniciar el ensamblado, la instalación o la operación del producto revise que estén todas las piezas e intactas. Compare las piezas con la lista de partes y el diagrama anterior. Si cualquiera de las piezas falta o se encuentra dañada, no intente armar, instalar u operar el producto. Contacte al servicio al cliente para solicitar piezas de repuesto.

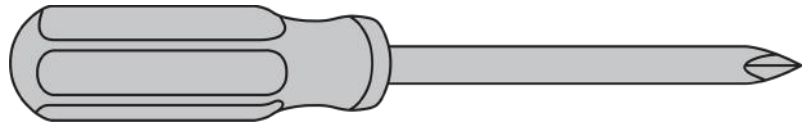
**LEA ATENTAMENTE TODAS LAS ADVERTENCIAS DE SEGURIDAD, INSTRUCCIONES DE MONTAJE E INSTALACIÓN ANTES DE INTENTAR MONTAR**

## INSTRUCCIONES DE MONTAJE



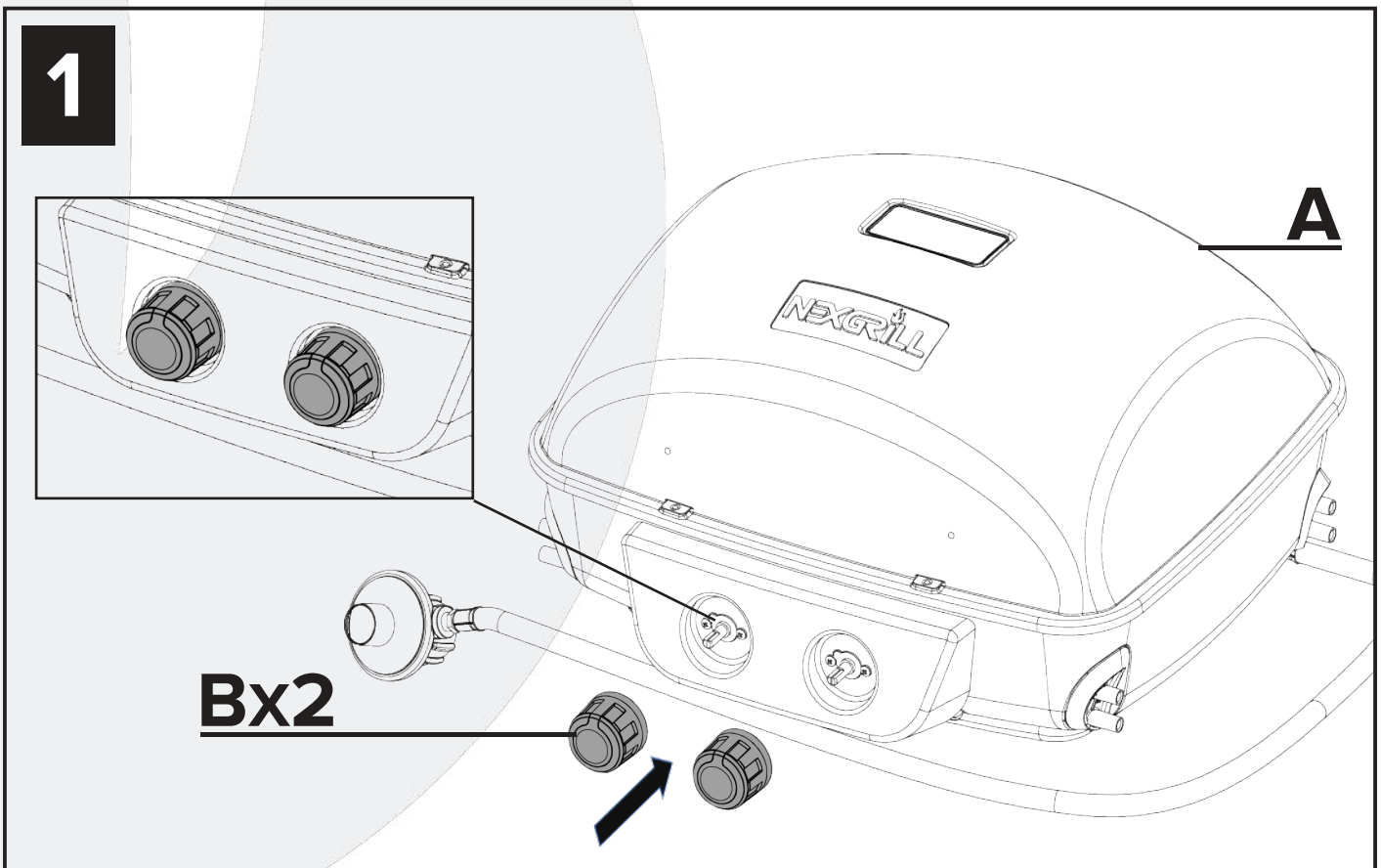
**PREGUNTAS, PROBLEMAS, PIEZAS FALTAN?** Antes de volver a la tienda, llame al Departamento de Servicio al Cliente al: 1-866-984-7455 (E.U.), 1-800-648-5864 (Canada), y 1-909-718-1945 (Internacional) de 8 a.m.-5 p.m., PST. Lunes a Viernes. Idiomas hablados: Inglés, Español, y Francés. También puede comunicarse con nosotros por correo electrónico a: [CostcoService@grillservices.com](mailto:CostcoService@grillservices.com).

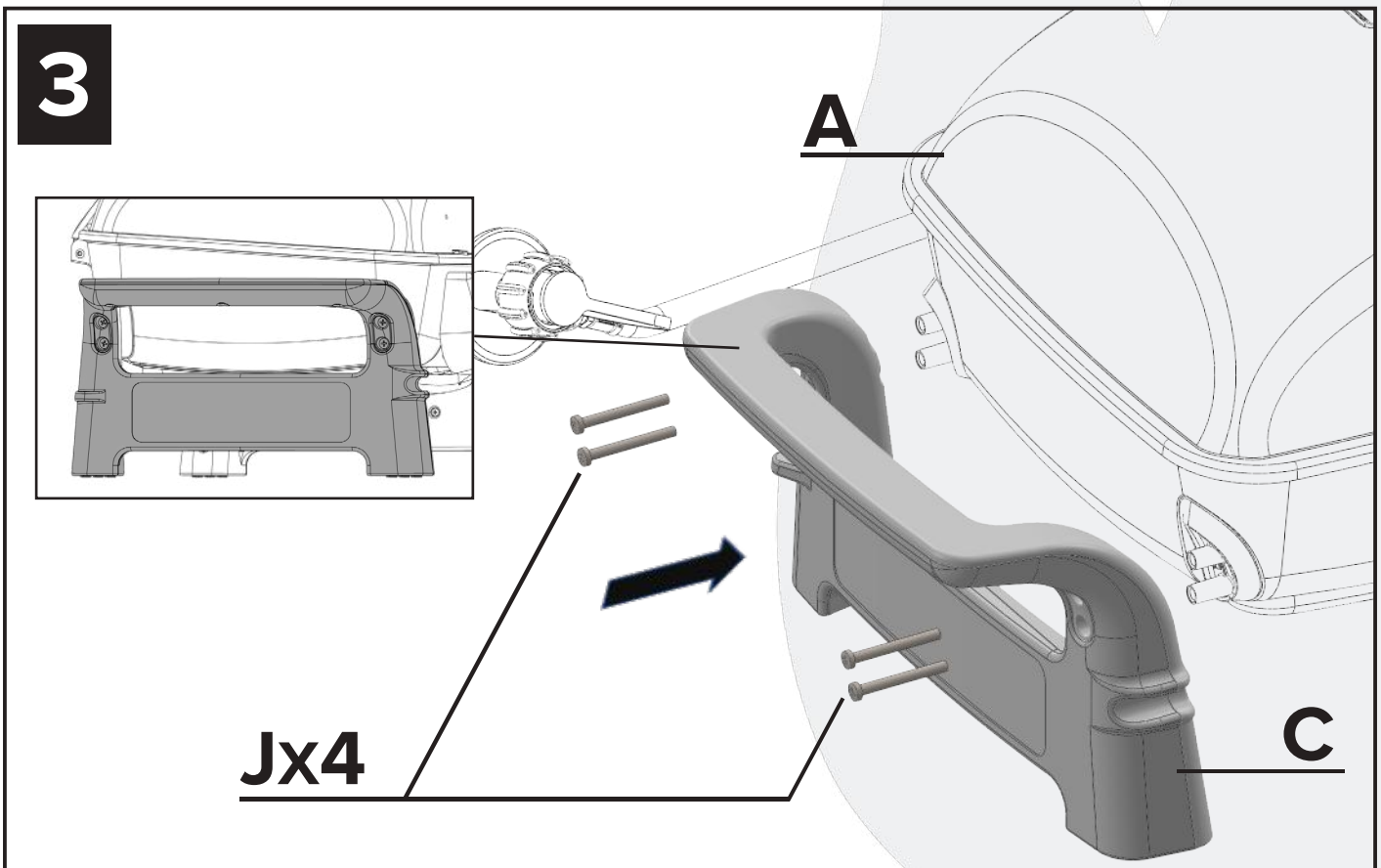
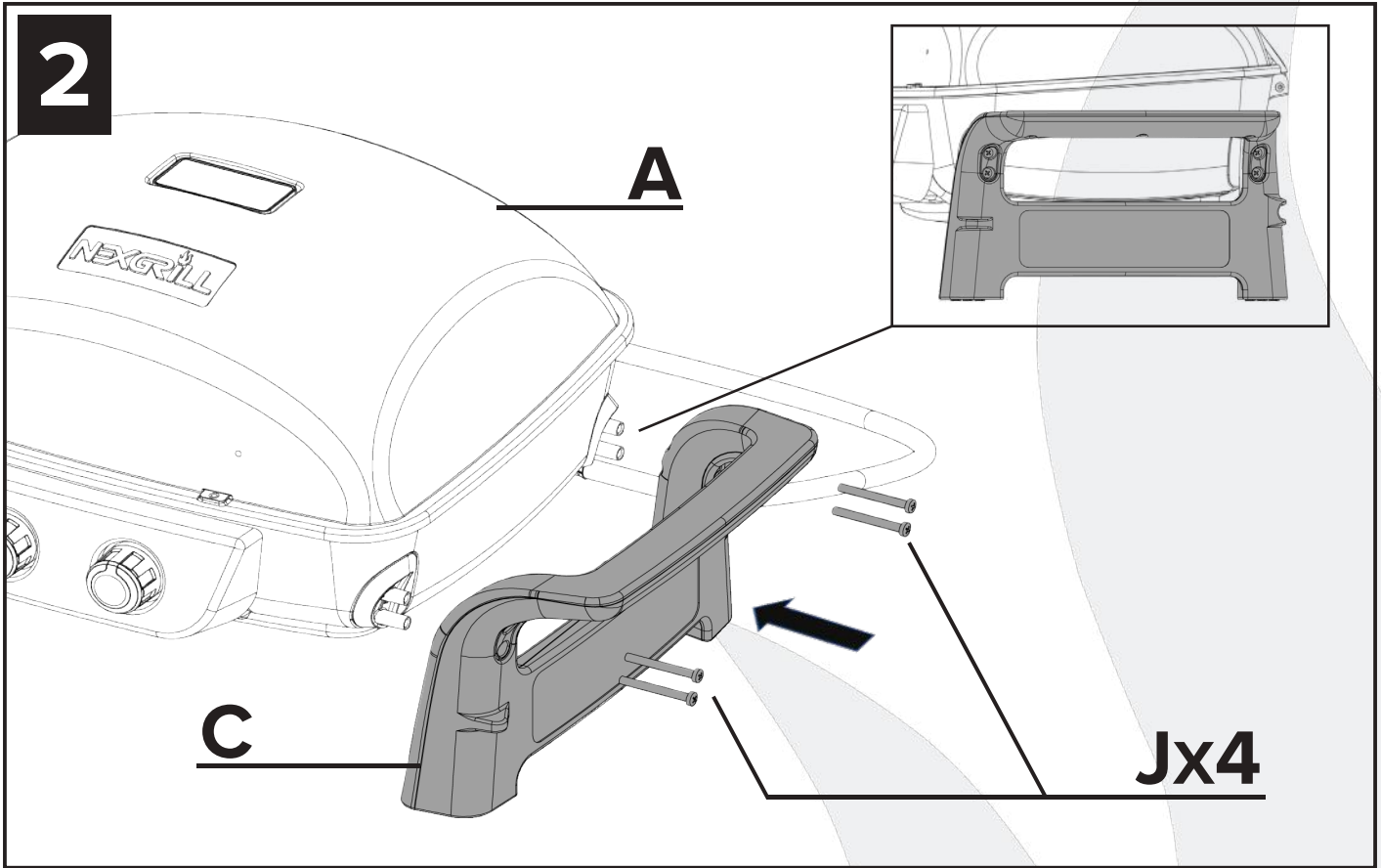
### HERRAMIENTAS NECESARIAS (NO INCLUIDAS)

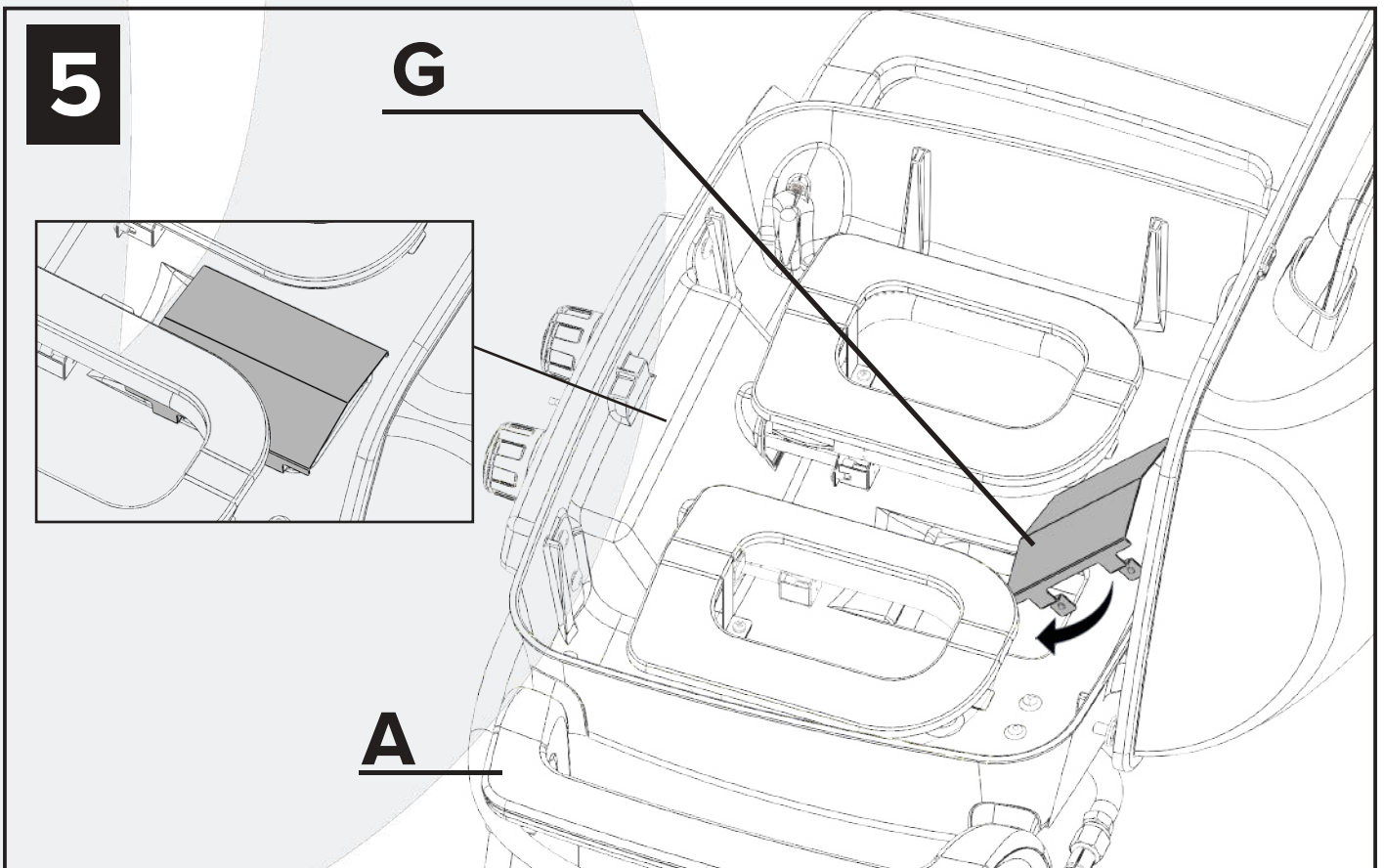
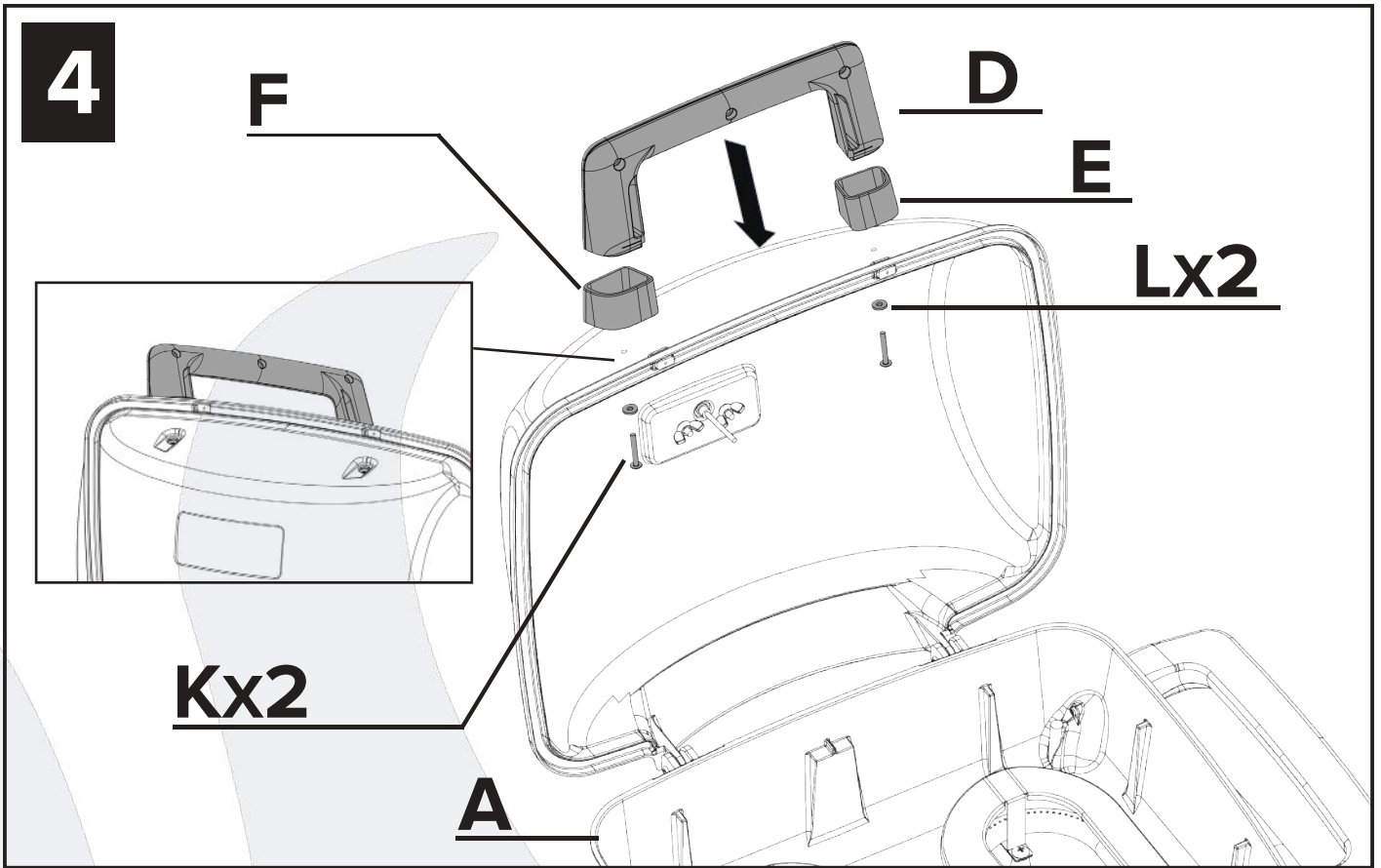


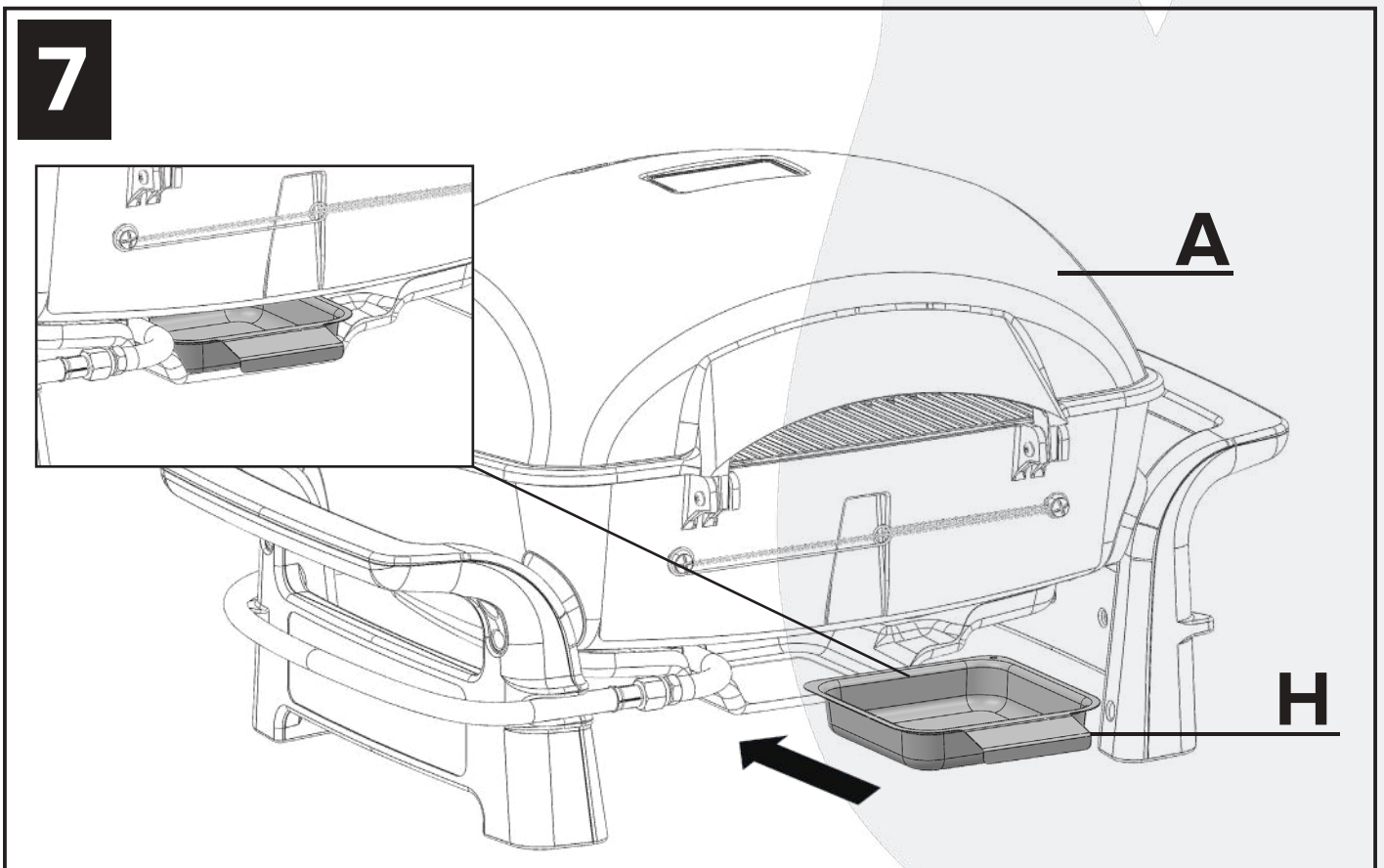
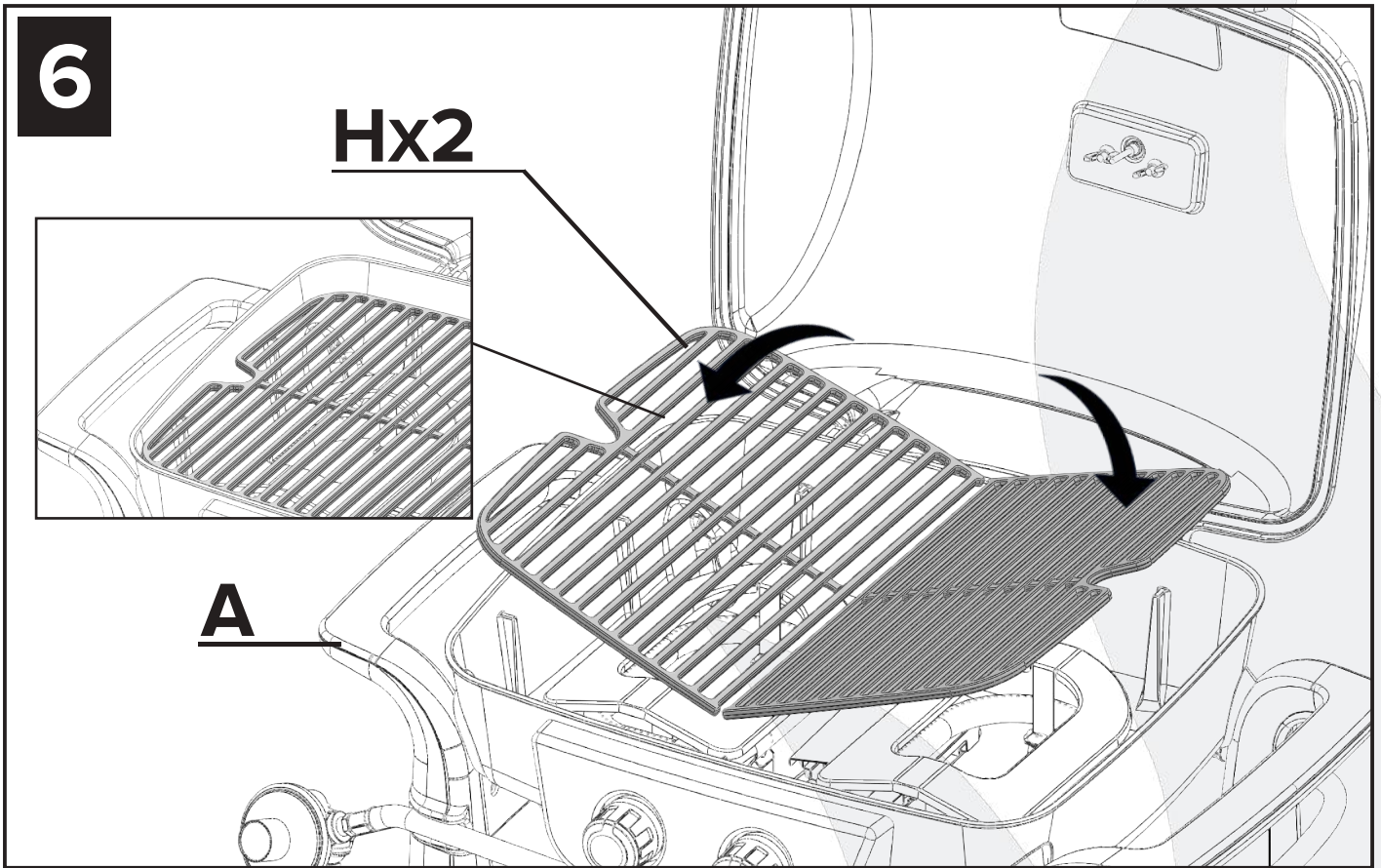
Destornillador de cruz

### PASOS DE MONTAJE











# INSTRUCCIONES DE CONEXIONES

## INSTALACIÓN DEL GAS

Sólo debe utilizar el regulador de presión y el ensamble de la manguera que vienen con la parrilla. Todo reemplazo del regulador de presión y del ensamble de la manguera debe ser el que indica el fabricante de la parrilla. Esta parrilla está configurada para su uso con propano líquido. No utilice un suministro de gas natural.

El consumo total de gas (por hora) con todos los quemadores en la posición máxima (HIGH):

<b>CADA QUEMADOR</b>	<b>6,750 BTU/HR</b>
<b>TOTAL</b>	<b>13,500 BTU/HR</b>

La instalación de este aparato debe cumplir con los códigos locales o, en ausencia de ellos, con el código nacional de gas combustible ANSI Z223.1/NFPA 54, el código nacional de instalación de gas propano, CSA B149.1, el código de almacenamiento y manejo de propano B149.2, o la norma de vehículos recreativos ANSI A119.2/NFPA 1192 y CSA Z240 serie RV del código de vehículos recreativos, según corresponda.

## REQUISITOS DEL CILINDRO DE PROPANO LÍQUIDO

Si el cilindro de propano líquido está abollado u oxidado, puede resultar peligroso y su proveedor debe revisarlo. Jamás utilice un cilindro con una válvula dañada. El cilindro de propano líquido debe estar construido y comercializado según lo dispuesto para los cilindros de propano líquido por el Departamento de Transporte de los Estados Unidos de América (DOT) o según la norma nacional de Canadá CAN/CSA-B339 de la Comisión de Cilindros, Esferas y Tubos para el Transporte de Artículos Peligrosos.

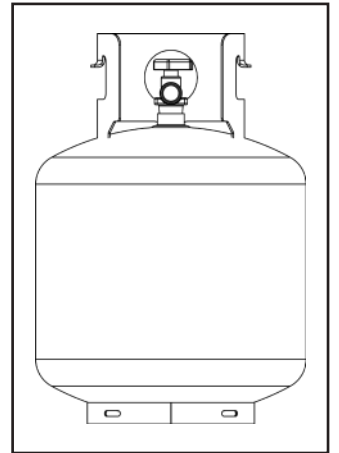
El cilindro de 9 kg (20 libras) debe tener una válvula de cierre con una terminal en una válvula de salida específica para conexiones tipo QCC1 según los estándares para salidas de válvulas de los cilindros para gas comprimido y las conexiones de entrada ANSI/CGA-V-1, según corresponda.

Podrá guardar el dispositivo de cocción a gas para espacios abiertos en un lugar cerrado sólo si desconecta el cilindro y lo quita del dispositivo. El sistema del cilindro debe estar adaptado para la salida de vapores. El cilindro debe contar con un aro que proteja a la válvula del cilindro.

Presión del colector: (en operación) columna de agua de 27.9 cm (11 in), (sin operar) columna de agua de 28.4 cm (11.2 in).

El cilindro de suministro de gas LP debe contar con un dispositivo de protección de sobrecarga.

Si equipado, retire la cubierta de plástico de la válvula del cilindro de propano líquido. Revise que la manguera de gas de la parrilla no entre en contacto con el depósito de grasa o el fogón al colocar el cilindro de propano líquido.



CILINDRO DE 9 KG (20 LIBRAS)

## CONEXIÓN DEL CILINDRO DE PROPANO LÍQUIDO



### ADVERTENCIA:

**JAMÁS INTENTE UTILIZAR EQUIPAMIENTO DAÑADO U OBSTRUIDO. PÓNGASE EN CONTACTO CON SU PROVEEDOR LOCAL DE PROPANO LÍQUIDO PARA SOLICITAR REPARACIONES.**

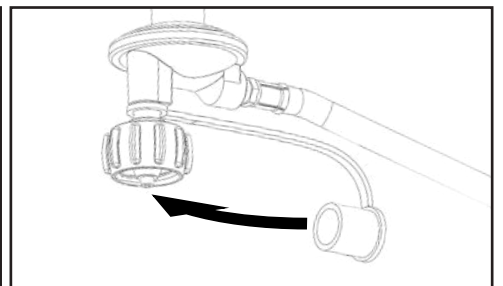
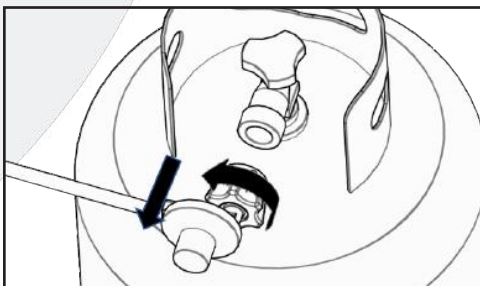
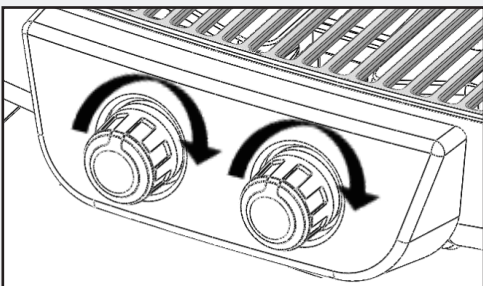
### REEMPLAZO DEL CILINDRO DE PROPANO LÍQUIDO

Gire las válvulas del quemador de la parrilla a la posición de apagado "OFF" (O) y asegúrese de que la parrilla esté fría.

Ponga la válvula del cilindro de propano líquido en posición de APAGADO girándola en sentido de las agujas del reloj hasta que se detenga.

Desprenda el ensamble del regulador de la válvula del cilindro girando la tuerca de acoplado rápido en sentido contrario de las agujas del reloj.

Coloque la tapa anti-polvo sobre la salida de la válvula del cilindro siempre que el mismo no esté en uso. Solo instale la tapa anti-polvo en la salida de la válvula del cilindro que se proporciona con ésta. Otros tipos de tapas o tapones pueden causar fugas de propano.



# PRUEBA PARA DETECTAR FUGAS



## ADVERTENCIA:

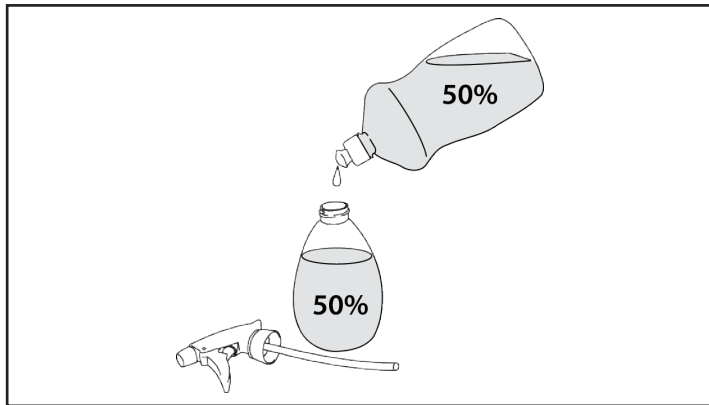
**ANTES DE UTILIZAR EL ASADOR, REVISE SI HAY FUGAS EN LOS ACCESORIOS DE SUMINISTRO DE GAS. NO UTILICE LA PARRILLA HASTA NO HABER VERIFICADO QUE NINGUNA CONEXIÓN TENGA FUGAS. NO FUME MIENTRAS BUSCA FUGAS DE GAS. NUNCA BUSQUE FUGAS DE GAS CUANDO HAYA UNA LLAMA ENCENDIDA.**

## GENERALIDADES

A pesar de que se ha realizado la prueba de detección de fugas en todas las conexiones de gas de la parrilla antes del envío, se debe realizar una prueba de detección de fugas completa en el lugar de instalación. Antes de cada uso, revise todas las conexiones de gas para detectar posibles fugas siguiendo los procedimientos detallados a continuación. Si detecta olor a gas en cualquier momento, debe de inmediato verificar el sistema completo para hallar fugas.

## ANTES DE REALIZAR LAS PRUEBAS

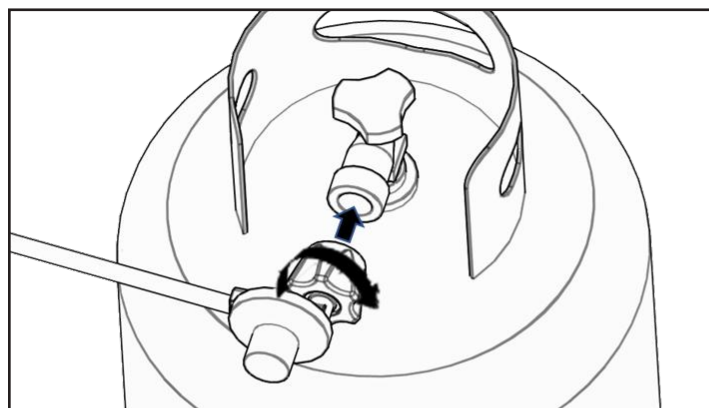
Asegúrese de haber quitado todos los envoltorios de la parrilla, incluso las correas utilizadas para atar el quemador.



## PASO 1

### CREE UNA AGUA JABONOSA

Prepare una solución de 50/50 agua y detergente libre de amoníaco, que se aplica con una botella de spray o pincel.



## PASO 2

### CONECTE EL CILINDRO DE PROPANO LÍQUIDO

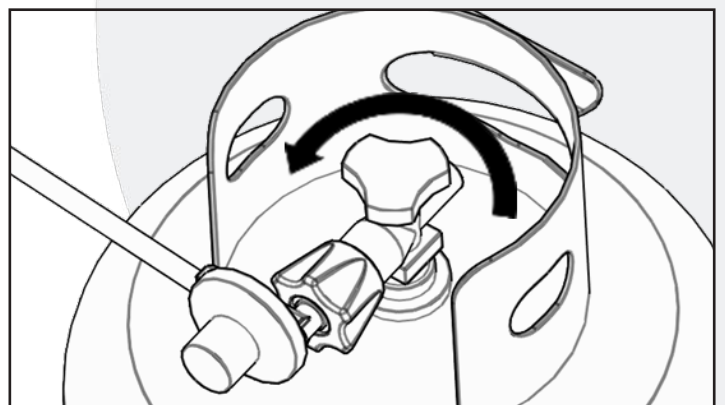
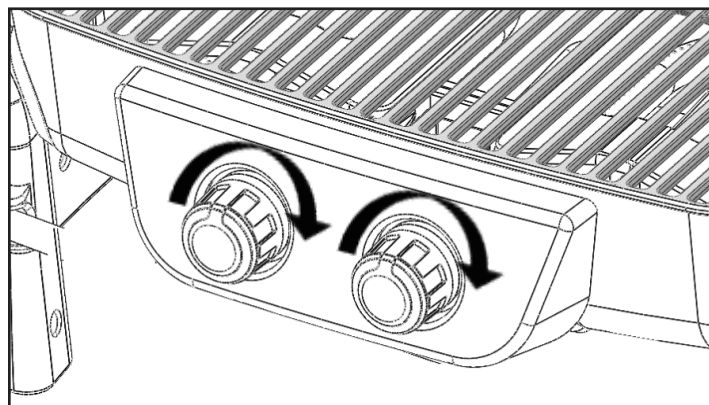
La válvula del cilindro debe estar en la posición de APAGADO. Si no está así, gire la válvula en sentido horario hasta que se detenga.

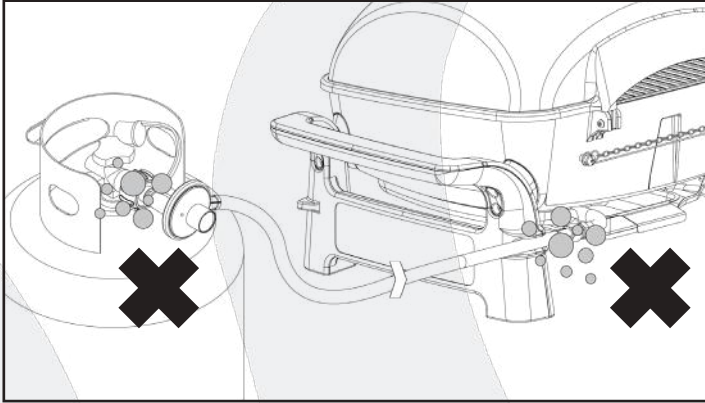
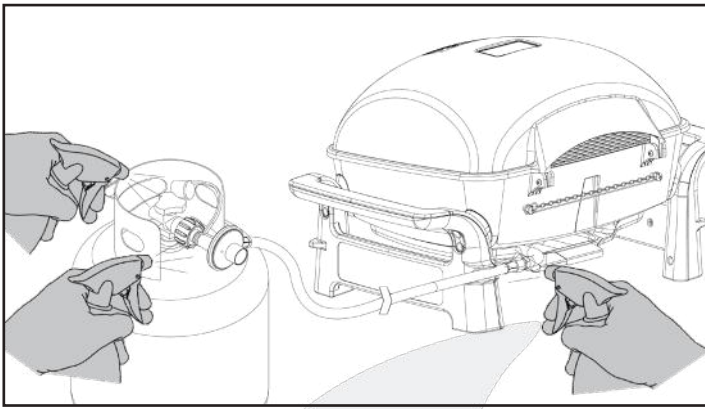
Revise que la válvula del cilindro tenga la conexión de rosca macho tipo 1 adecuadas, conforme la según la dernière norme ANSI Z21.81.

Asegúrese de que todas válvulas de los quemadores estén en posición de apagado "OFF" (O).

Revise las conexiones de las válvulas, los orificios de los quemadores, y el ensamble del regulador. Quite los residuos e inspeccione si la manguera tiene daños. Cubra el conector del regulador con el tapón de protección. Al conectar el ensamble del regulador a la válvula, ajuste la tuerca manualmente en el sentido de las agujas del reloj hasta que haga tope. Usar una llave de tuercas dañaría la tuerca de acoplado rápido y generaría una situación peligrosa.

Abra completamente la válvula del cilindro girando la válvula en sentido antihorario.





## PASO 3

### PARA HACER LA PRUEBA

1. Asegúrese de que las válvulas del quemador estén en posición de apagado "OFF" (●).
2. Gire la válvula del cilindro de propano líquido en sentido antihorario para abrir la válvula.
3. Aplique la solución jabonosa en todos los accesorios de gas. En caso de que haya alguna fuga, aparecerán burbujas de jabón.
4. Si hay una fuga, gire inmediatamente el propano líquido válvula del cilindro a la posición CERRADA y apriete guarniciones.
5. Voltee la válvula del cilindro de propano líquido a la posición OPEN posición y vuelva a comprobar.
6. Si el gas continúa con fugas de cualquiera de los accesorios, gire la válvula del cilindro de propano líquido a la posición CERRADA y comuníquese con nuestro Departamento de Servicio al Cliente al: 1-866-984-7455 (E.U.), 1-800-648-5864 (Canada), y 1-909-718-1945 (Internacional). Idiomas hablados: Ingles, Frances, y Español 8 a.m.-5p.m. PST de Lunes a Viernes. O envíenos un correo electrónico a [CostcoService@grillservices.com](mailto:CostcoService@grillservices.com).
7. En caso de que exista abrasión o desgaste excesivo o si la manguera está cortada, esta debe reemplazarse antes de utilizar el dispositivo de cocción a gas para espacios abiertos. Sólo deben utilizarse en la parrilla aquellas partes que recomienda el fabricante. El reemplazo de cualquier parte dejará sin efecto la garantía.



#### ADVERTENCIA:

**NO GUARDE LA PARRILLA EN UN AMBIENTE CERRADO A MENOS QUE EL CILINDRO ESTÉ DESCONECTADO. NO GUARDE EL CILINDRO EN UN EDIFICIO, COCHERA U OTRA ÁREA CERRADA Y MANTÉNGALO FUERA DEL ALCANCE DE LOS NIÑOS EN TODO MOMENTO.**

### VERIFICACIÓN FINAL DEL INSTALADOR

Mantenga la distancia especificada de 91,44 cm (36 in) con respecto de los materiales combustibles y la construcción.

1. Se han quitado todos los envoltorios internos.
2. La manguera y el regulador se han conectado adecuadamente al cilindro de propano líquido.
3. Se ha realizado la prueba en la unidad y no se han detectado fugas.
4. Se ha localizado la válvula de cierre del suministro de gas.



#### ADVERTENCIA:

1. LA PARRILLA Y SU VÁLVULA INDIVIDUAL DE APAGADO DEBEN DESCONECTARSE DEL SISTEMA DE TUBERÍAS DE SUMINISTRO DE GAS CUANDO SE REALICE UNA PRUEBA DE PRESIÓN DEL SISTEMA A PRESIONES MAYORES DE 3.5 KPA (0.5 PSI).
2. SE DEBE AISLAR EL DISPOSITIVO DE COCCIÓN PARA EXTERIORES DEL SISTEMA DE TUBERÍAS DE SUMINISTRO DE GAS CERRANDO LA VÁLVULA INDIVIDUAL DE CERRADO MANUAL DURANTE LA REALIZACIÓN DE CUALQUIER PRUEBA DE PRESIÓN DEL SISTEMA DE TUBERÍAS DE SUMINISTRO DE GAS CUANDO LAS PRESIONES SEAN IGUALES O MENORES DE 3.5 KPA (0.5 PSI).



#### ADVERTENCIA:

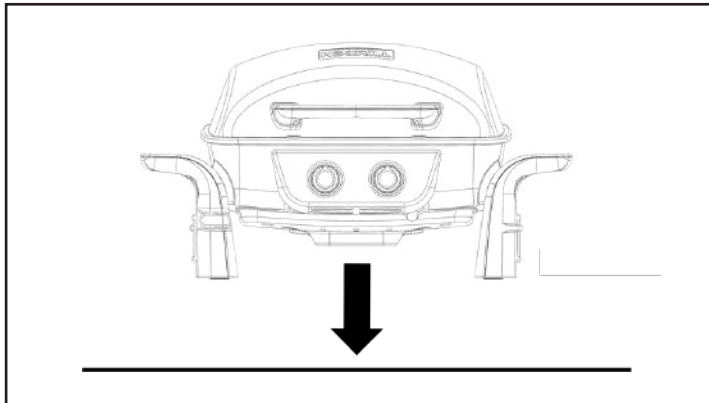
1. NO GUARDE LOS CILINDROS DE PROPANO LÍQUIDO DE REPUESTO DEBAJO DE O CERCA DE ESTE APARATO.
2. NUNCA LLENE EL CILINDRO A MÁS DEL 80 POR CIENTO DE SU CAPACIDAD.
3. SI NO SE CUMPLEN EXACTAMENTE LAS INSTRUCCIONES DE LOS PUNTOS 1 Y 2, PUEDE OCURRIR UN INCENDIO O EXPLOSIÓN QUE PROVOQUE MUERTES O LESIONES GRAVES.

# INSTRUCCIONES DE FUNCIONAMIENTO



ESTE APARATO ES PARA USO EXCLUSIVO EN EXTERIORES Y NO DEBE DE USARSE EN EDIFICIOS, COCHERAS O CUALQUIER OTRA ÁREA CERRADA.

## PREPARANDO PARA ENCENDER SU PARRILLA



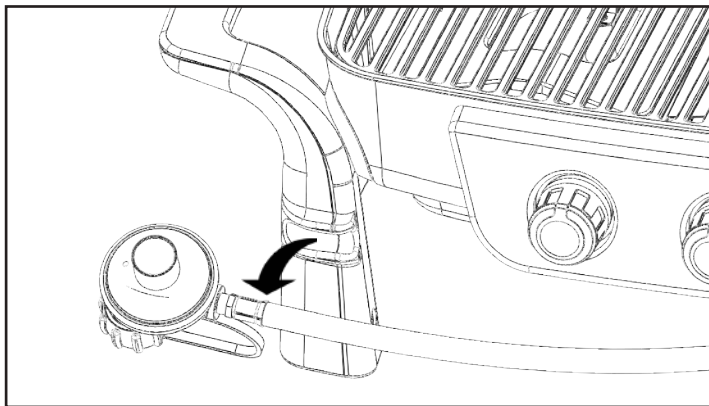
### PASO 1

ENCUENTRE UNA SUPERFICIE PLANA SOBRE LA CUAL COLOCAR LA PARRILLA.



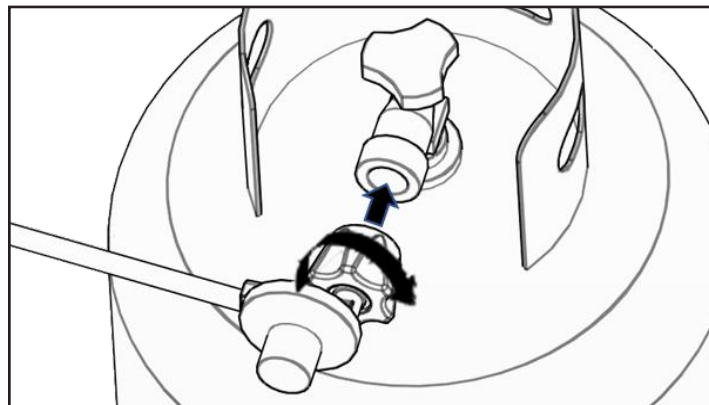
### INSTRUCCIONES PARA TRASLADAR

Precaución: Nunca mueva la parrilla con los quemadores encendidos o si la parrilla está caliente. Revise que la perilla de control esté en la posición de apagado "OFF" (O). Desconecte el cilindro de propano del regulador. Quite el regulador de la parrilla. Asegúrese de que la parrilla se haya enfriado por completo durante 30 minutos por lo menos. Cierre la tapa. Use las asas laterales para transportar la parrilla. **NOTA:** Es mejor dejar la charola de grasa fijada a la parte inferior de la parrilla; durante el traslado puede seguir goteando algo de grasa por el agujero de drenaje.



### PASO 2

RETIRE LA MANGUERA DE LOS CLIPS EN EL FRENTE DE LA PARRILLA.



### PASO 3

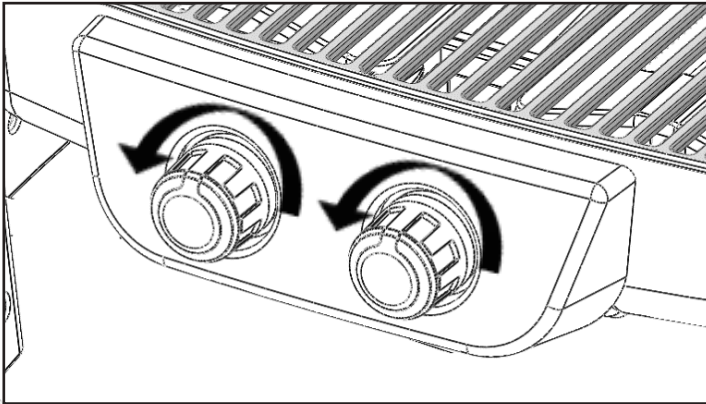
CONECTE EL TANQUE.





## IMPORTANTE - USANDO POR PRIMERA VEZ:

Es importante que la parrilla esté encendida y se deje calentar por lo menos 10 minutos antes de poner los alimentos en la rejilla de cocción. Es normal que haya algo de humo durante la operación inicial de la parrilla. Después del calentamiento inicial, la parrilla está lista para usarse. Puede usar un rocío de cocina en las rejillas de cocción para facilitar la limpieza posterior.

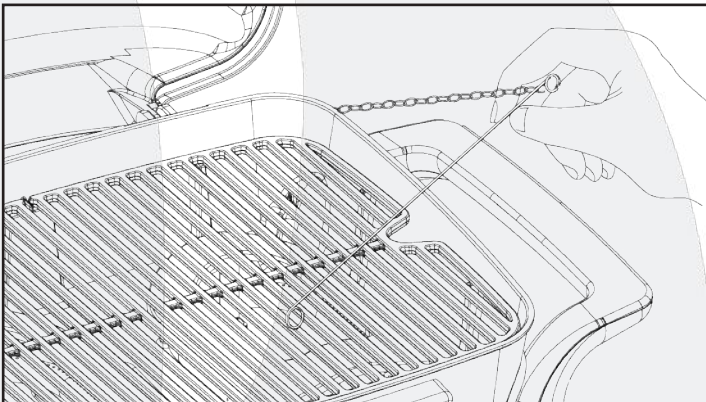


## PASO 4

### ABRA LA TAPA Y ENCIENDA LA PERILLA



Si no enciende en 3 a 5 segundos, gire la perilla de control a la posición de apagado "OFF" (O). Espere 5 minutos para volver a tratar de encender la parrilla. Para obtener un reemplazo del producto, por favor llame al Departamento de Servicio al Cliente al: 1-866-984-7455 (E.U.), 1-800-648-5864 (Canada), y 1-909-718-1945 (Internacional). Lenguajes hablados: Ingles, Frances, y Español de 8 a.m.-5 p.m., PST. Lunes a Viernes. También puede comunicarse con nosotros por correo electrónico a [CostcoService@grillservices.com](mailto:CostcoService@grillservices.com). Con el quemador encendido, cierre la tapa suavemente y espere de 5 a 10 minutos para que se caliente la parrilla antes de usarla.



Si la perilla no chispa, inserte una cerilla en la barra de iluminación. Encienda la mecha e inserte a través de las rejillas de cocción al quemador.

## USANDO SU PARRILLA



1. Deje que la parrilla se caliente con la tapa cerrada unos 5 minutos antes de empezar a cocinar.
2. Se puede cocinar en la parrilla en cualquier clima. Si la temperatura ambiental esta extremadamente fría o caliente, el tiempo de cocción puede aumentar o reducirse ligeramente. Mantenga la parrilla lejos de corrientes de aire al usarla.
3. Los tiempos de cocción que se indican a continuación son solo sugerencias. El tiempo de cocción varía con el grosor de la carne y el grado deseado de cocción.



Bistec – (T-Bone), corte grueso, término medio: asar 10 minutos cada lado con la flama en MED.

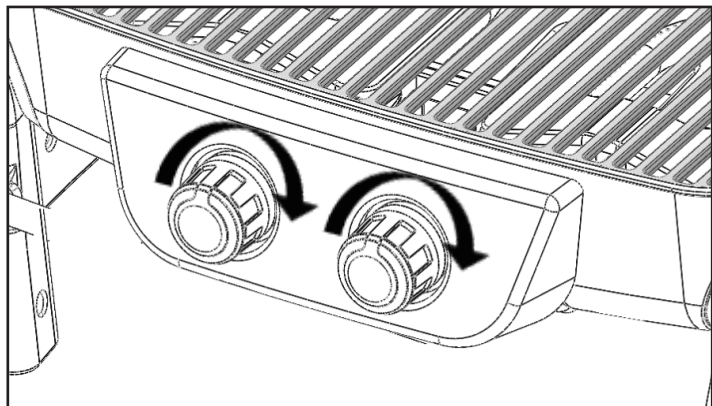
Pollo – (cuartos): asar 30 minutos por lado con flama en MED. Revise el término.

Puerco – (costillas, chuletas): Asar de 10 a 20 minutos por lado con flama en MED. Revise el término.

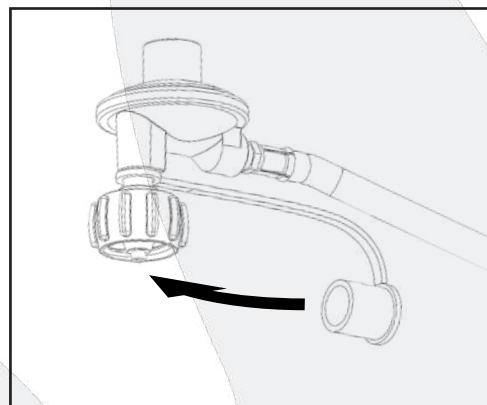
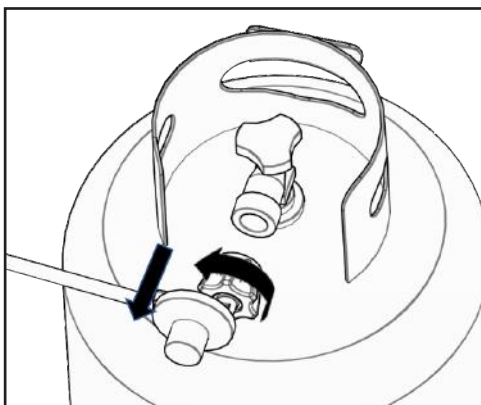
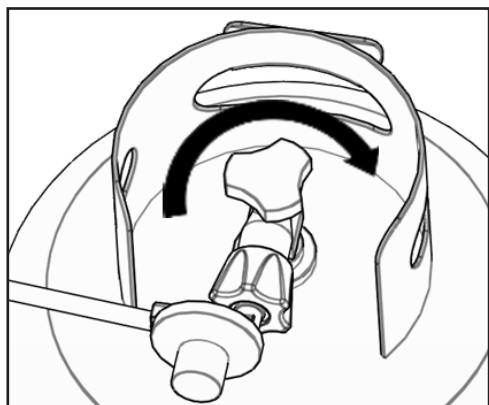
Pescado – Asar 20-30 minutos con flama en LOW.

Pavo – (pechuga): Asar 10 minutos por libra (454 gr) o hasta que la temperatura alcance los 76 °C (170 °F) con flama en MED.

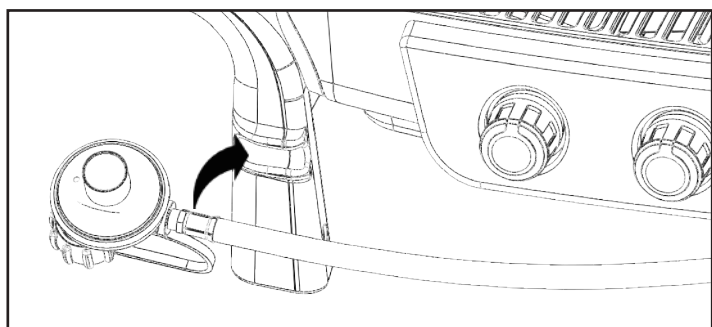
## APAGANDO TU PARRILLA



1. Gire la perilla a la posición de apagado "OFF" (⊖).
2. Gire la valvula del cilindro de propano a la posición de APAGADO.  
**Precaución:** No trate de volver a encender la parrilla sin seguir todas las instrucciones de encendido.
3. Espere por lo menos 30 minutos a que la parrilla se enfríe antes de moverla o transportarla.



## REQUISITOS DE ALMACENAMIENTO Y TRANSPORTE



Cubra el conector del regulador con el tapón protector y coloque los clips en la parte frontal de la parrilla antes de transportarlo y almacenarlo.

## CUIDADO Y MANTENIMIENTO

### HAY CUIDADOS Y MANTENIMIENTO MUY POCO NECESARIOS.

La parrilla está diseñada y fabricada con materiales que duran muchos años con uso normal. Siga estas instrucciones para prolongar la duración de la parrilla y aumentar la calidad de su cocina. Para asegurar el funcionamiento de la parrilla, el área de cocción siempre debe estar libre de materiales combustibles de cualquier tipo, como gasolina y otros vapores y líquidos inflamables.

**LAS PARTES EXTERNAS DE LA PARRILLA** – Se trata de fundición de aluminio y plástico. Se puede limpiar fácilmente con agua tibia y jabón.

**REJILLA DE COCCIÓN Y DEPÓSITO DE GRASA** – Las rejillas de cocción están hechas de hierro fundido recubierto. Deben limpiarse con un cepillo de parrilla inmediatamente después de cocinar, mientras que la parrilla todavía está caliente. La bandeja de grasa se puede limpiar fácilmente con agua tibia y jabón.

**PRECAUCIÓN** : El depósito de grasa debe mantenerse limpio y libre de residuos acumulados para que la parrilla funcione debidamente y se eliminen las llamaradas.

## INSPECCIÓN DE TELA DE ARAÑA

### PELIGROS NATURALES • ARAÑAS Y OTROS INSECTOS

**DATO** : A veces, las arañas y otros insectos pequeños trepan por el tubo del quemador. Las arañas tejen sus telas, construyen nidos y ponen huevos. Las telarañas y los nidos, aunque sean pequeños, son muy fuertes y pueden bloquear el flujo del gas. Causando una situación insegura. Limpie el quemador antes de usarlo después de haber estado guardado, al principio de la temporada de parrilladas o después de un mes de no haberlo usado.



## CUÁNDO INSPECCIONAR EN BÚSQUEDA DE ARAÑAS

Debe inspeccionar los quemadores al menos dos veces al año o inmediatamente después de que ocurra cualquiera de las siguientes situaciones:

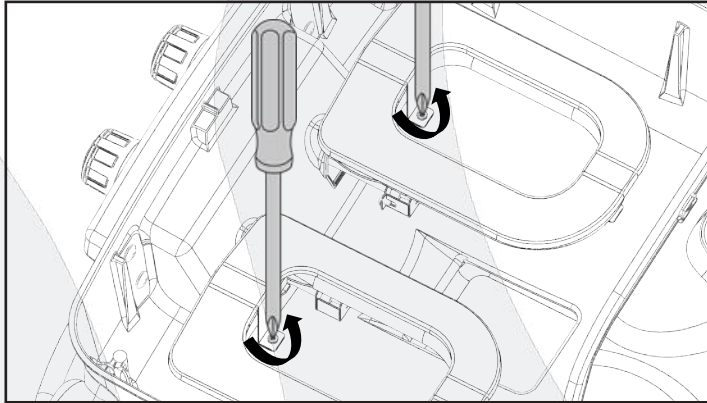
1. Olor a gas junto con llamas amarillas en los quemadores.
2. La parrilla no toma temperatura.
3. La parrilla no se calienta de manera uniforme.
4. Los quemadores hacen ruido como si reventaran.

## LIMPIEZA

**QUEMADORES** – se debe tener extremo cuidado al extraer y reemplazar un quemador.

Deben estar centrados correctamente en los orificios antes de volver a encender la parrilla. La frecuencia de limpiado dependerá de cuán a menudo utilice la parrilla.

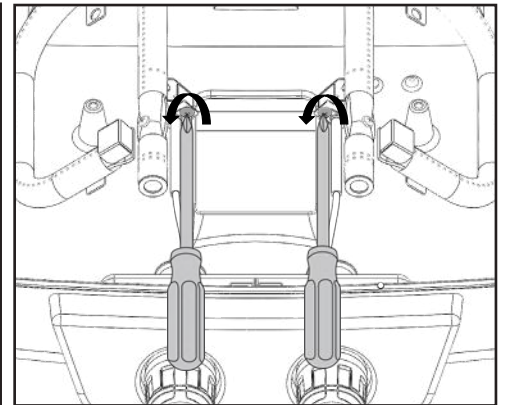
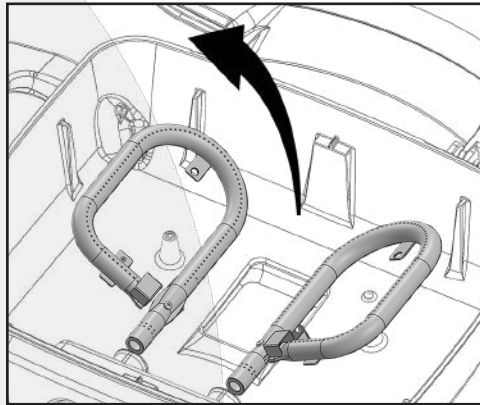
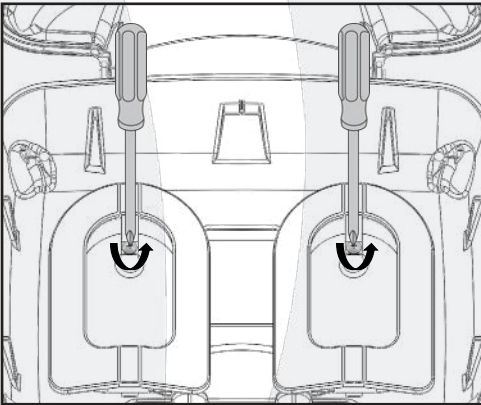
Si no logra colocar correctamente el quemador sobre el orificio podría provocar un incendio detrás o debajo del panel de válvulas y por lo tanto, se podría dañar la parrilla y su utilización no sería del todo segura. Antes de limpiar la parrilla, asegúrese de que el suministro de gas este APAGADO y las perillas de control estén en la posición de “OFF” (O) de que los quemadores se hayan enfriado. Desconecte la manguera y el regulador del cilindro de gas.



### PASO 1

Para remover los quemadores para su limpieza:

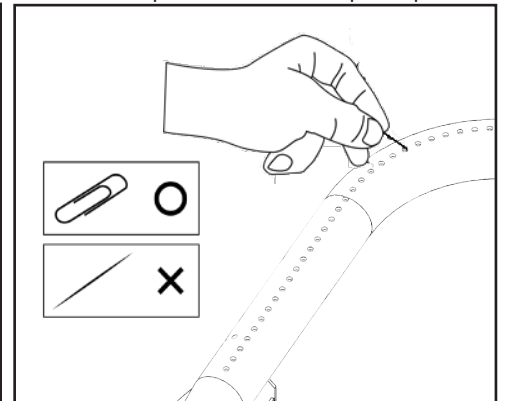
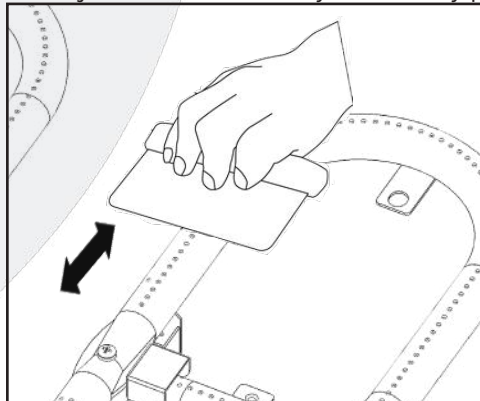
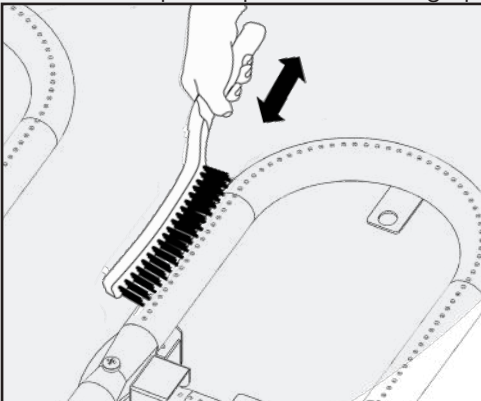
1. Retire la carpa térmica ubicada entre los quemadores.
2. Ubique los tornillos de los quemadores en la parte delantera y trasera del fogón.
3. Retire los tornillos y levante los quemadores para sacarlo del fogón.
4. Quite los encendedores de los quemadores.



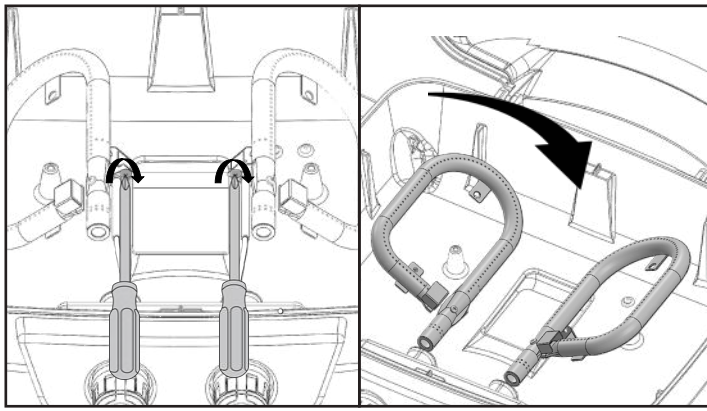
### PASO 2

Cómo limpiar los quemadores de la parrilla:

1. Limpie la parte externa del quemador con un cepillo de alambre. Use una espátula de metal para sacar los residuos o las manchas difíciles.
2. Limpie los puertos obstruidos con un clip estirado. Nunca use un palillo de madera ya que podría romperse y obstruir el puerto.
3. Inspeccione y limpie los tubos de los quemadores y el difusor en caso de que haya insectos o nidos de insectos. Un tubo obstruido puede provocar un fuego por debajo de los meche ros y el difusor y por detrás del panel de control principal.



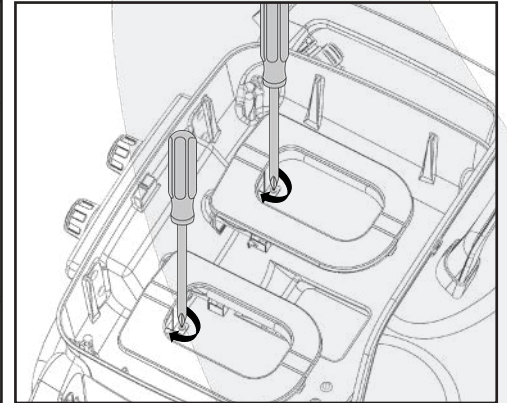
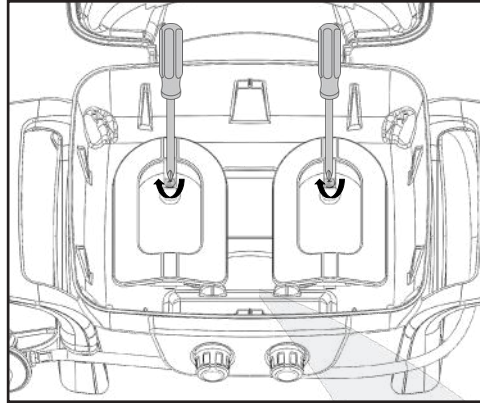
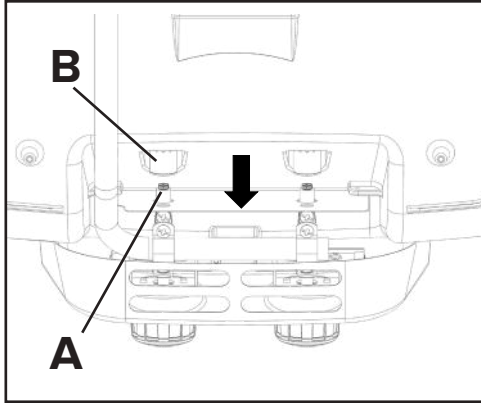




## PASO 3

Cómo reinstalar los quemadores:

1. Montar los encendedores a los quemadores.
2. Inserte los quemadores sobre las válvulas de gas de los quemadores.
3. Asegúrese de que el parte superior del orificio (A) se encuentre dentro del difusor del quemador (B) como se muestra.
4. linee el agujero del tornillo del quemador con el agujero del fogón, inserte el tornillo y apriete.
5. Instale la carpa térmica en la parte superior del orificio de la caja de fuego ubicada entre los quemadores.



### FOGÓN

Use agua jabonosa tibia para limpiar esta área. No permita que se acumule la grasa.

### HOYO DE DRENAJE

Debe mantener libre de grasa y partículas de comida al hoyo de drenaje para permitir que el goteo se drene debidamente hacia el depósito de grasa. Debe de hacer esto para mantener el funcionamiento correcto de la parrilla.



Esta parrilla, como todos los equipos, se verá mejor y durará más si se mantiene fuera del clima cuando no se usa.

## ALMACENAMIENTO



**PRECAUCIÓN:** No guarde cilindros de gas propano en áreas cerradas. Cuando vaya a ponerle una cubierta o a moverla, espere que la parrilla se enfríe por lo menos durante 30 minutos.

- No obstruya el flujo de combustión y del aire de la ventilación.
- Un tubo obstruido puede ocasionar un incendio debajo del aparato.



Esta unidad debe conservarse en un área libre de materiales combustibles, gasolina y otros vapores y líquidos inflamables.

Revise que todas las aperturas del cuerpo de la parrilla estén libres de bloqueos o desechos y que no haya objetos o materiales que bloqueen el flujo del combustible o de la ventilación. Revise que las patas estén en posición vertical al utilizar la parrilla. Revise que en las aperturas de toma de aire de los quemadores (detrás de la guarda de entrada en el extremo derecho del cuerpo de la parrilla) no haya nidos de insectos ni otras obstrucciones. Revise que estén despejadas las ranuras del tubo del quemador. Cuando la parrilla no esté en uso, gire las perillas de control a posición "OFF" (O). Gire la valvula del cilindro de propano a posición de APAGADO y desconecte el regulador. Si se almacena en el interior, separe y deje el cilindro de propano afuera. Los cilindros de propano deben de guardarse lejos del alcance de los niños.



# DECLARACION DE GARANTIA

Nexgrill garantiza solamente al consumidor-comprador original de este producto (Modelo N° 820-0072) que el mismo estará libre de defectos en los materiales y la mano de obra después del ensamblaje correcto y bajo uso normal y razonable en el hogar, durante los períodos indicados a continuación, a partir de la fecha de compra. El fabricante se reserva el derecho de exigir evidencia fotográfica del daño o la devolución de las piezas defectuosas con los gastos por envío y/o flete prepagados por el consumidor, para su revisión y examen.

**QUEMADORES:** Garantía LIMITADA de 5 años contra perforaciones.

**REJILLAS DE COCCION:** Garantía LIMITADA de 5 años; no cubre caída, desportilladuras, rayones o daños en la superficie.

**TODAS OTRAS PIEZAS:** Garantía LIMITADA de 2 años (incluye, pero sin limitación, válvulas, marco, caja de fuego, panel de control, encendedor, regulador, mangueras); \*No cubre desportilladuras, corrosión en la superficie agrietada, rayones ni óxido.

Una vez que el consumidor provea la prueba de compra como se indica en la presente, el Fabricante reparará o reemplazará las piezas que hayan probado ser defectuosas durante el período cubierto por la garantía. Las piezas necesarias para completar la reparación o el reemplazo se proveerán gratuitamente, excepto por los costos de envío, siempre y cuando el comprador esté dentro del período de la garantía a partir de la fecha de compra original. El comprador-consumidor original será responsable por todos los cargos por envío de las piezas reemplazadas bajo los términos de esta garantía limitada. Esta garantía limitada es aplicable solamente en los Estados Unidos, está disponible solamente para el dueño original del producto y no es transferible. El fabricante requiere una prueba razonable de la fecha de compra. Por lo tanto, usted deberá conservar su recibo de compra y/o la factura. Si la unidad fue recibida como regalo, solicite a la persona que le hizo el regalo que envíe el recibo en su nombre a la dirección que aparece debajo. Las piezas defectuosas o faltantes que estén cubiertas por esta garantía limitada no serán reemplazadas sin el registro o la prueba de compra. Esta garantía limitada se aplica SOLAMENTE a la funcionalidad del producto y no cubre problemas estéticos tales como rayones, abolladuras, corrosión o decoloración ocasionada por el calor, los limpiadores abrasivos y químicos o cualquier herramienta usada en el ensamblaje o la instalación del aparato, óxido de la superficie o decoloración de las superficies de acero inoxidable. El óxido, la corrosión o las desportilladuras de la pintura en polvo de la superficie en las piezas de metal que no afecten la integridad estructural del producto no se considera un defecto en la mano de obra ni en los materiales, y por lo tanto no están cubiertos bajo esta garantía. Bajo esta garantía limitada, usted no recibirá un reembolso por el costo de cualquier inconveniencia, alimento, herida personal o daño a la propiedad. Si no existe una pieza original de repuesto, se le enviará una pieza de repuesto equivalente. Usted será responsable por todos los cargos por envío de las piezas reemplazadas bajo los términos de esta garantía limitada.

## EL FABRICANTE NO PAGARÁ POR LOS SIGUIENTES ARTÍCULOS:

- Visitas de servicio a su hogar.
- Reparaciones cuando su producto se use de un modo diferente al doméstico o residencial normal de una familia.
- Daños causados por accidente, alteración, uso indebido, falta de mantenimiento/limpieza, abuso, incendio, inundación, actos fortuitos, instalación incorrecta, instalación que no esté de acuerdo con los códigos eléctricos o de plomería, o el empleo de productos no aprobados por el fabricante.
- Cualquier pérdida de comida debida a la falla del producto.
- Costos de piezas de repuesto o gastos de reparación para unidades que se empleen fuera de los Estados Unidos o Canadá.
- Recogida y entrega de su producto.
- Cargos por envío o cargos por procesamiento de fotos enviadas como documentación.
- Reparaciones de piezas o sistemas como resultado de modificaciones no autorizadas que se hayan efectuado en el producto.
- La remoción y/o reinstalación del producto.
- Costos por transporte, común o acelerado, para las piezas de repuesto bajo garantía o sin garantía.

## EXCLUSIÓN DE GARANTÍAS IMPLÍCITAS; LIMITACIÓN DE RECURSOS

La reparación o el reemplazo de las piezas defectuosas será su único recurso bajo los términos de esta garantía limitada. El fabricante no será responsable por cualquier daño consecuente o incidental que surja del incumplimiento de esta garantía limitada o de cualquier garantía implícita que sea aplicable, ni por la falla o daños ocasionados por actos fortuitos, el cuidado y mantenimiento inadecuados, incendios ocasionados por grasa, accidentes, alteraciones, el reemplazo de piezas por parte de alguien que no sea el Fabricante, uso indebido, transporte, uso comercial, abuso, medioambientes hostiles (inclemencias del tiempo, catástrofes naturales, manipulación por parte de animales), instalación incorrecta o instalación que no esté de acuerdo con los códigos locales o las instrucciones impresas por el fabricante.

ESTA GARANTÍA LIMITADA SERÁ LA ÚNICA GARANTÍA EXPRESA OTORGADA POR EL FABRICANTE. NO EXISTIRÁ NINGUNA OTRA GARANTÍA POR PARTE DEL FABRICANTE CON RESPECTO AL DESEMPEÑO SEGÚN LA ESPECIFICACIÓN O LA DESCRIPCIÓN DEL PRODUCTO, EN DONDE SEA QUE APAREZCA, EXCEPTO EN LA MEDIDA EN QUE SE HA INDICADO EN ESTA GARANTÍA LIMITADA. TODA PROTECCIÓN POR GARANTÍAS IMPLÍCITAS QUE SURJA BAJO LAS LEYES DE CUALQUIER ESTADO, INCLUIDAS LAS GARANTÍAS IMPLÍCITAS DE COMERCIABILIDAD O DE CAPACIDAD PARA UN PROPÓSITO O USO EN PARTICULAR, ESTARÁ LIMITADA EN SU DURACIÓN A LA DURACIÓN DE ESTA GARANTÍA LIMITADA.

Ni los distribuidores, ni el establecimiento minorista que venda este producto, tendrán ninguna autoridad para hacer garantías adicionales o para prometer recursos adicionales a los establecidos anteriormente o en contra de los mismos. En todo caso, la máxima responsabilidad del fabricante no excederá del precio documentado por la compra del producto pagado por el consumidor original. Esta garantía se aplica solamente para las unidades compradas a un minorista o revendedor autorizado.

NOTA: Algunos estados no permiten la exclusión o limitación de daños incidentales o consecuentes, de modo que las limitaciones o exclusiones indicadas anteriormente pueden no aplicarse en su caso; esta garantía limitada le otorga derechos legales específicos según se indica en la presente. Es posible que usted tenga también otros derechos que varían de un estado a otro.

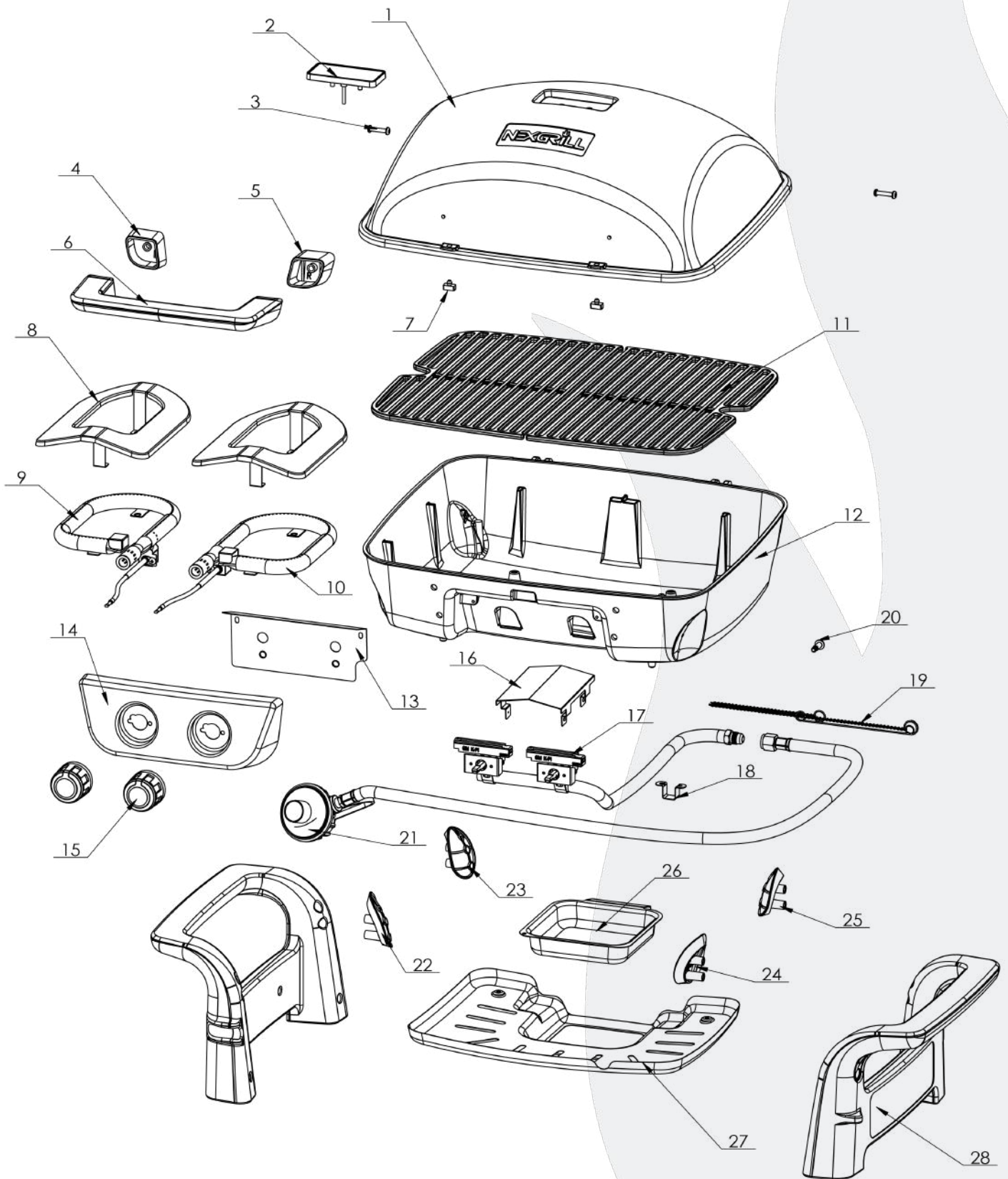
Si usted desea llevar a cabo una acción por cualquier obligación bajo esta garantía limitada, deberá escribir a:

Nexgrill Customer Relations  
14050 Laurelwood Place,

Para obtener un reemplazo del product. Por favor, llame al Departamento de Servicio al Cliente al: 1-866-984-7455 (E.U.), 1-800-648-5864 (Canada), y 1-909-718-1945 (Internacional). Lenguajes hablados: Ingles, Frances, y Español de 8 a.m.-5 p.m., PST. Lunes a Viernes.

CostcoService@grillservices.com

# LISTA DE PIEZAS DE REEMPLAZO



NO.	PIEZA (DESCRIPCIÓN)	COBERTURA DE GARANTÍA	CANT.	NO.	PIEZA (DESCRIPCIÓN)	COBERTURA DE GARANTÍA	CANT.
1	Tapa principal	5 años* <sup>▲</sup> (Material) 2 años <sup>▲</sup> (Pintura)	1	15	Perilla de control	2 años	2
2	Medidor de temperatura	2 años	1	16	Escudo térmico de la caja de grasa	2 años	1
3	Tornillo de tapa principal	2 años	2	17	Válvula principal de gas	2 años	2
4	Asiento de la tapa principal, izquierdo	2 años	1	18	Soporte de la distribuidor principal	2 años	1
5	Asiento de la tapa principal, derecha	2 años	1	19	Tornillo de barra de iluminación	2 años	2
6	Agarradera de la tapa principal	2 años	1	20	Barra de iluminación	2 años	1
7	Tapón de la tapa principal	2 años	2	21	Regulador LP	2 años	1
8	Domador de llama	2 años	2	22	Aislante de calor de pata del carro, delantero derecho	2 años	1
9	Quemador principal, izquierdo	5 años	1	23	Aislante de calor de pata del carro, trasero derecho	2 años	1
10	Quemador principal, derecho	5 años	1	24	Aislante de calor de pata del carro, delantero izquierdo	2 años	1
11	Parrilla de coccion	5 años	2	25	Aislante de calor de pata del carro, trasera izquierda	2 años	1
12	Caja de fuego	5 años* <sup>▲</sup> (Material) 2 años <sup>▲</sup> (Pintura)	1	26	Caja de grasa	2 años	1
13	Escudo térmico del panel de control	2 años	1	27	Soporte de caja de grasa	2 años	1
14	Panel de control principal	2 años	1	28	Pata del carro	2 años	2

\* - NINGÚN HERRUMBRE O QUEMADURAS DE CASTING DE ALUMINIO.

▲ - EXCLUYENDO DESVANECIMIENTO O DISCOLORACIÓN.

## SOLUCION DE PROBLEMAS

PROBLEMAS	QUÉ HACER
La parrilla no enciende	<ol style="list-style-type: none"> <li>Revise para ver si el cilindro de propano líquido está vacío.</li> <li>Revise los puertos del quemador para verificar si hay bloqueos. Use un clip de papel de alambre suave para despejarlos puertos obstruidos.</li> <li>Revise el orificio del gas en el quemador para verificar si hay una obstrucción. Si el orificio esta bloqueado, limpie con una aguja o un alambre fino. NUNCA USE UN PALILLO DE MADERA.</li> </ol>
La llama del quemador es amarilla o anaranjada en conjunción con olor a gas.	<ol style="list-style-type: none"> <li>Busque arañas e insectos.</li> <li>Comuníquese con nuestro Departamento de Servicio al Cliente al: 1-866-984-7455 (E.U.), 1-800-648-5864 (Canada), y 1-909-718-1945 (Internacional). Idiomas hablados: Ingles, Frances, y Español 8 a.m.-5p.m. PST de Lunes a Viernes. O envíenos un correo electrónico a <a href="mailto:CostcoService@grillservices.com">CostcoService@grillservices.com</a></li> </ol>
Calor bajo con la perilla de control en el ajuste "HIGH".	<ol style="list-style-type: none"> <li>Asegúrese de que el área de la parrilla esté libre de polvo.</li> <li>Asegúrese de que el quemador y el orificio estén limpios.</li> <li>Revise si hay arañas e insectos.</li> <li>¿Existe suministro de gas adecuado?</li> <li>¿La parrilla está precalentada durante 5 a 10 minutos?</li> </ol>

Distributed by:  
Costco Wholesale Corporation  
P.O. Box 34535  
Seattle, WA 98124-1535  
USA  
1-800-774-2678  
www.costco.com



©2019 NEXGRILL INDUSTRIES, INC.  
CHINO, CA. 91710  
WWW.NEXGRILL.COM  
1-800-913-8999

Made In Taiwan / Fabriqué en Taïwan / Hecho en Taiwán