

This Owner's Manual is provided and hosted by [Appliance Factory Parts](#).



# Broil-Mate 7653-67 Owner's Manual

[Shop genuine replacement parts for Broil-Mate 7653-67](#)



[Find Your Broil-Mate Grill Parts - Select From 682 Models](#)

----- Manual continues below part list -----

## Available Replacement Parts for Broil-Mate 7653-67

<a href="#">18013</a>	LARGE PROBE HEAT INDICATOR
<a href="#">S21124</a>	SCREW PHCP #8 X 12 +
<a href="#">10390-E10</a>	BURNER SIDE 10BTU W/ELEC #8 +
<a href="#">Y-12220</a>	S/B BUSHING SB 1.375 16 HEY
<a href="#">10342-246</a>	IGNITOR ELECTRONIC TRIPLE +
<a href="#">Y-12222</a>	MAGNET - DOOR
<a href="#">10240-20</a>	DOOR PIN TOP
<a href="#">27055-901</a>	GREASE TRAY PORC FORMED 440 +
<a href="#">59005-034</a>	CONTROL ASSY 4V S/B LP
<a href="#">59005-037</a>	CONTROL ASSY 4V S/B NG
<a href="#">18431</a>	OEM FLAV R WAVE - BARON
<a href="#">52007-181</a>	COOKING GRID 550 PORC BLK +
<a href="#">20005-000</a>	HARDWARE BAG STICK & CHAIN SS
<a href="#">10342-T21</a>	ELECTRODE WIRE S/B 35 INCH
<a href="#">53009-951</a>	SIDE BURNER TRIVET BLK
<a href="#">52924-144R</a>	BURNER - MAIN
<a href="#">10111-K45</a>	HOSE 3/8 INCH ASSEMBLY NG 10 FOOT +
<a href="#">10081-69BM</a>	NAMEPLATE BROILMATE
<a href="#">10342-E12</a>	ELECTRODE W/WIRE +
<a href="#">24009-936</a>	HANDLE RING
<a href="#">10472-K431</a>	CONTRL KNOB RESIN LRG BLCK W/SS BA STRIP
<a href="#">21071-13</a>	DOOR HANDLE 500 GPB
<a href="#">22001-168</a>	CONTROL KNOB BEZEL SML
<a href="#">22002-268</a>	CONTROL KNOB BEZEL LARGE
<a href="#">24005-12AB</a>	LID-HANDLE BENT,
<a href="#">52005-991</a>	WARMING RACK 440 PORC
<a href="#">21035-991</a>	GREASE RAIL 440/500 SABLE BLK
<a href="#">21009-951</a>	TANK COLLAR CLAMP 625/750 BLK PULL OUT
<a href="#">51239-901</a>	TANK PREVENTION BRACKET 440 + BLK
<a href="#">51335-211</a>	TOP MAGNET BRACKET 440 BLACK

<a href="#">52009-901</a>	GREASE PAN - BLACK HIGH HEAT PAINT
<a href="#">57139-13</a>	BRACKET U-CHANNEL REAR 330/440/550
<a href="#">10111-15A</a>	HOSE ASSEMBLY SS
<a href="#">10114-16</a>	HOSE & REG ASSY 17 INCH LP +
<a href="#">52904-144NG</a>	BURNER ASSY MAIN SINGLE TUBE + NG
<a href="#">53001-011A</a>	SHELF ASSEMBLY 330/440 RHS + SS FASCIA
<a href="#">10892-286</a>	CASTER 3 INCH W/O LEG LEVEL
<a href="#">51639-908</a>	CASTER BRACKET RESIN BLK AB
<a href="#">27249-904</a>	GREASE SHIELD MODULAR, 6.5 x 6
<a href="#">22025-903</a>	COLLECTOR BOX ASSY 500 430SS

# OMC

ASSEMBLY MANUAL & PARTS LIST • MANUEL DE MONTAGE & LISTE DE PIÈCES • MANUAL DE ARMADO Y LISTA DE PARTES



**STERLING** 565384/87  
565344/47

**HUNTINGTON** 365384/87  
365344/47

**BROIL-MATE** 765384/87  
765344/47



**STERLING** 565284/87

**HUNTINGTON** 365284/87

**BROIL-MATE** 765284/87



**STERLING** 565364/67  
565324/27

**HUNTINGTON** 365364/67  
365324/27

**BROIL-MATE** 765364/67  
765324/27



**STERLING** 565264/67

**HUNTINGTON** 365264/67

**BROIL-MATE** 765264/67



**STERLING** 565354/57

**HUNTINGTON** 365354/57

**BROIL-MATE** 765354/57



**STERLING** 565254/57

**HUNTINGTON** 365254/57

**BROIL-MATE** 765254/57



**STERLING** 565954T/57T

RETAIN FOR FUTURE REFERENCE • VEUILLEZ CONSERVER POUR REFERENCE ULTERIEURE • CONSERVAR PARA FUTURAS CONSULTAS

1-800-265-2150

[info@omcbbq.com](mailto:info@omcbbq.com)

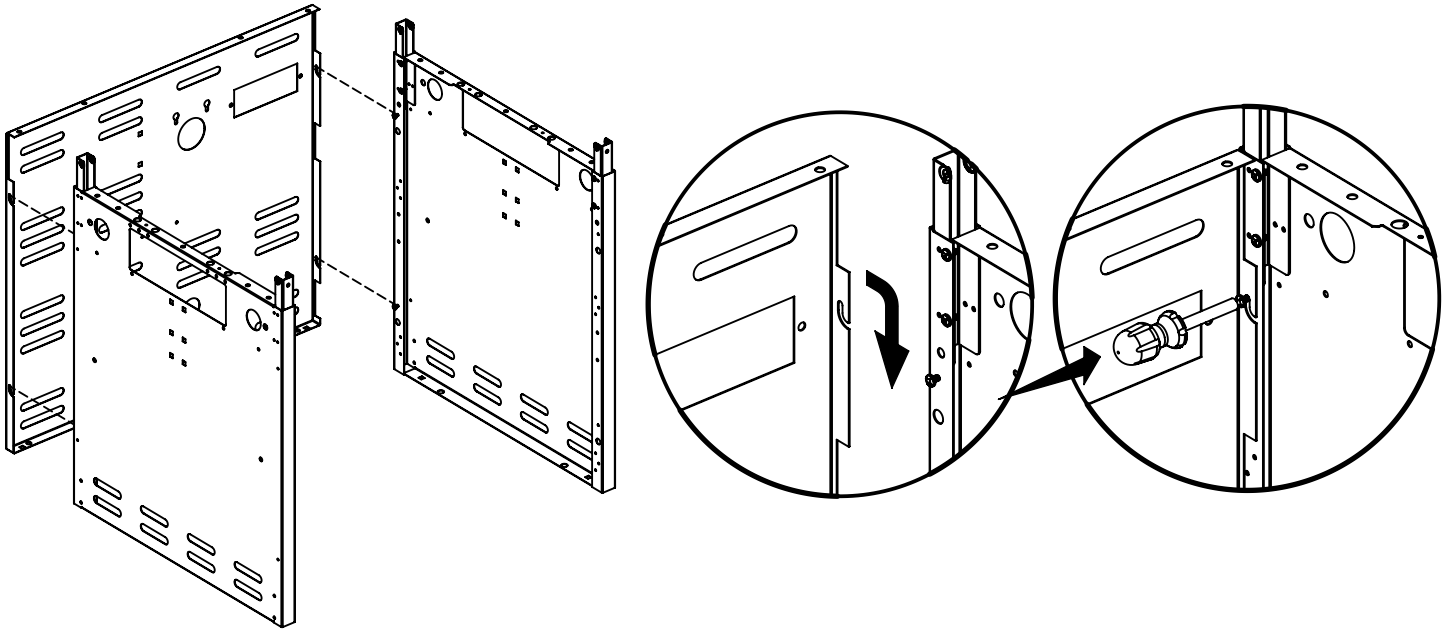
*Onward*  
SINCE 1906  
**MANUFACTURING COMPANY**  
1000 EAST MARKET STREET  
HUNTINGTON, INDIANA, 46750, USA

50084-E48 Rev C 11/17

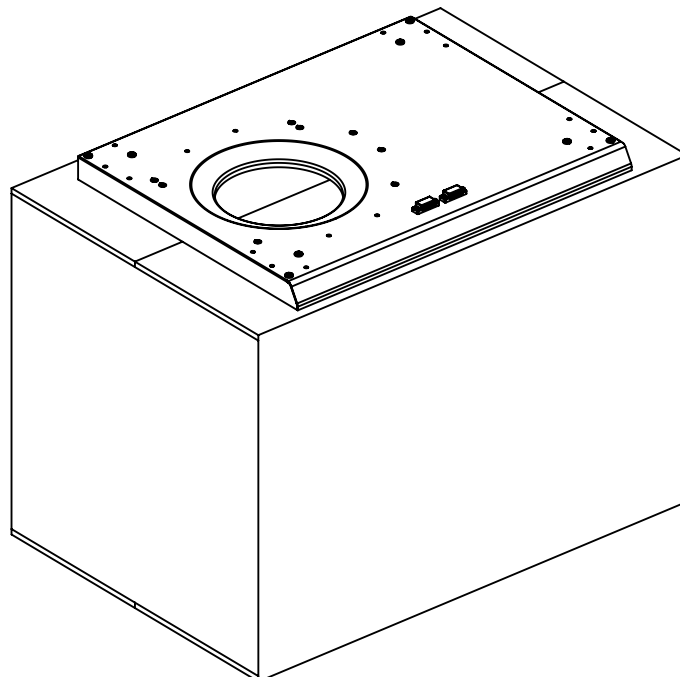


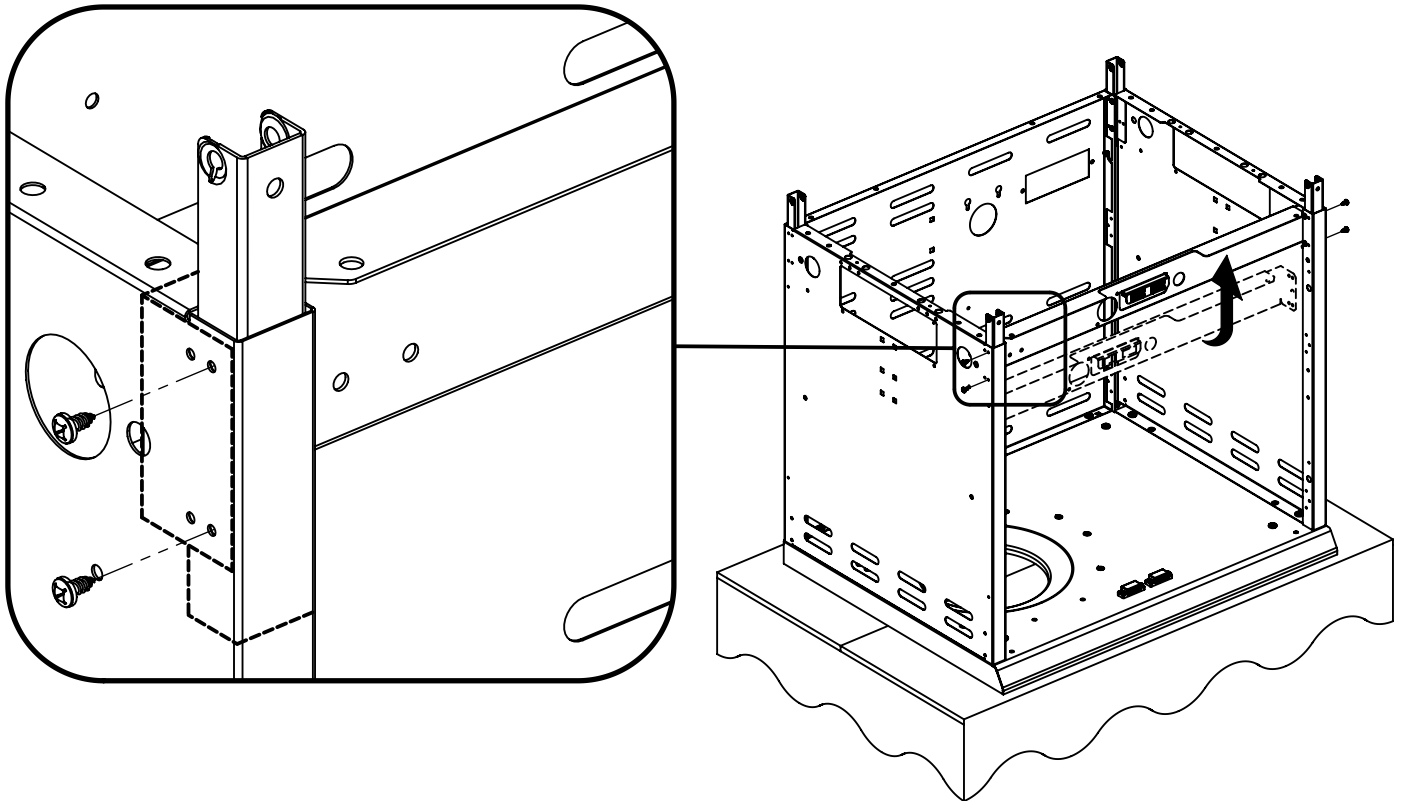
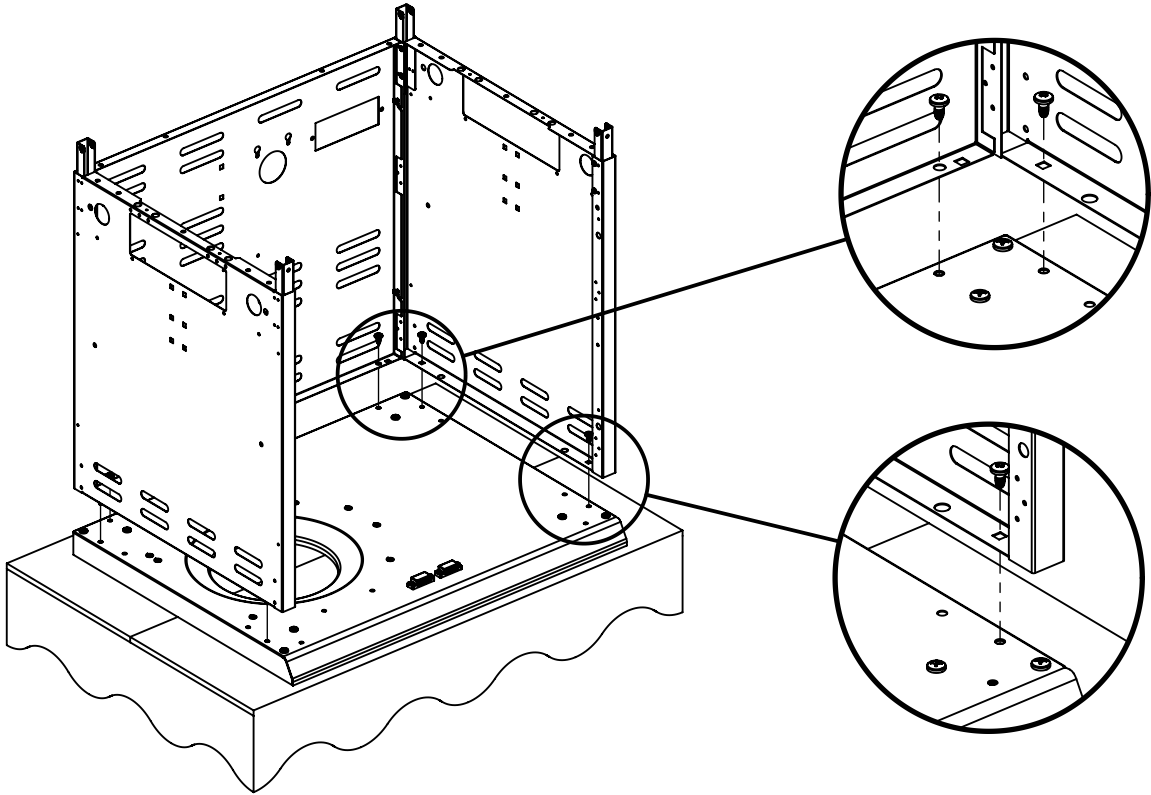
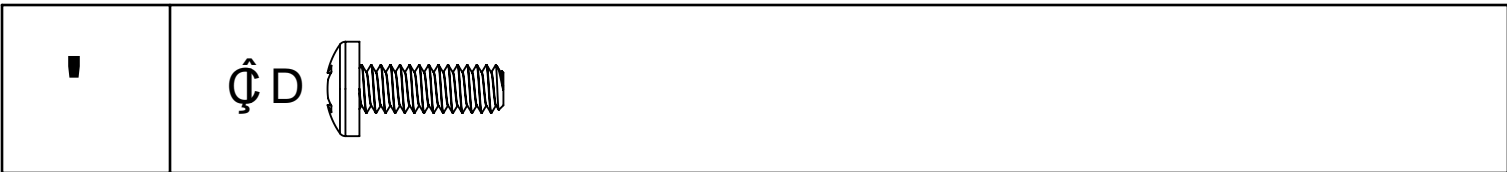


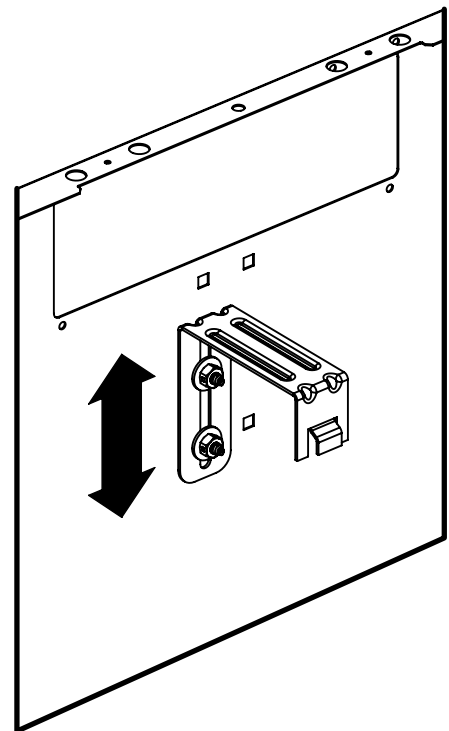
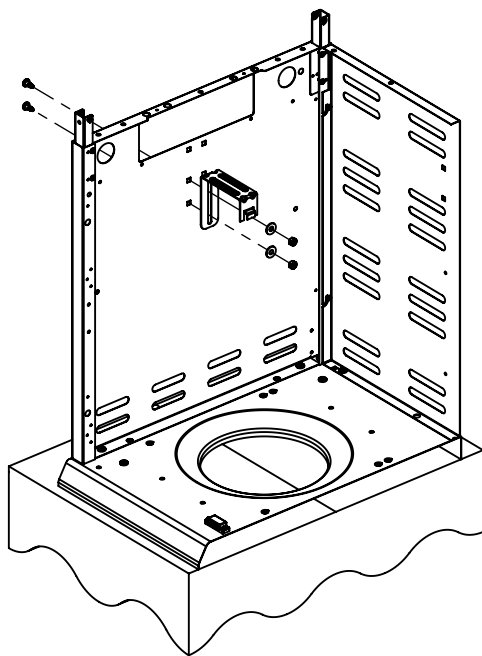
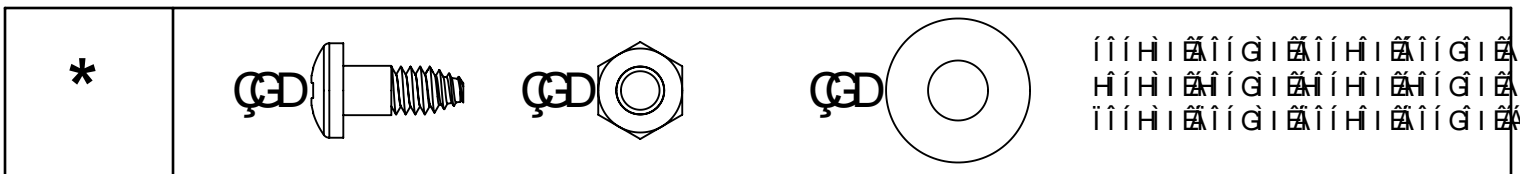
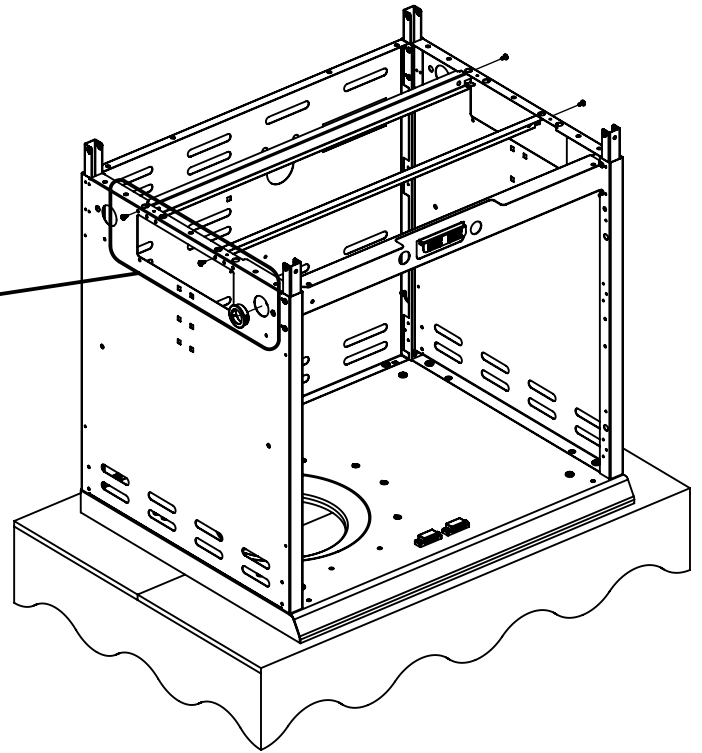
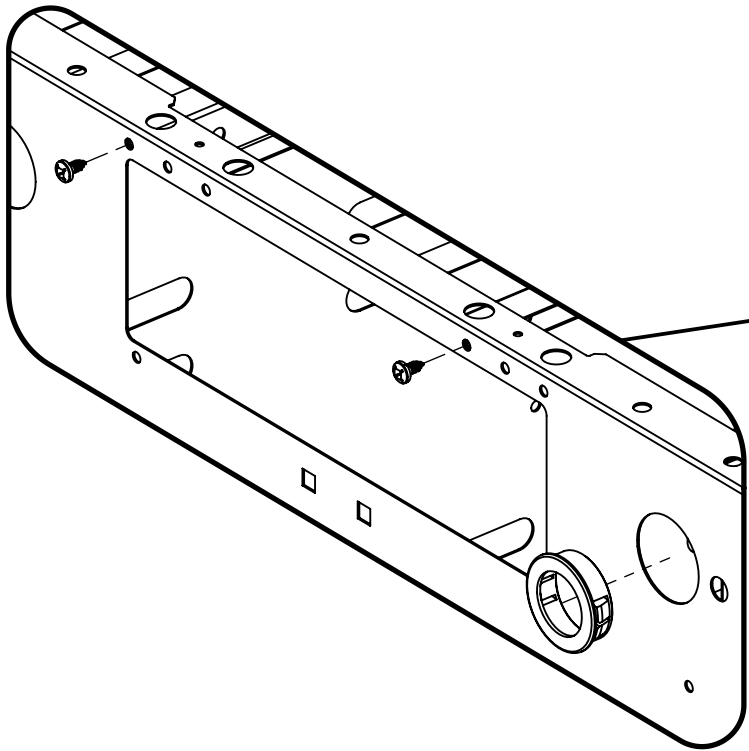
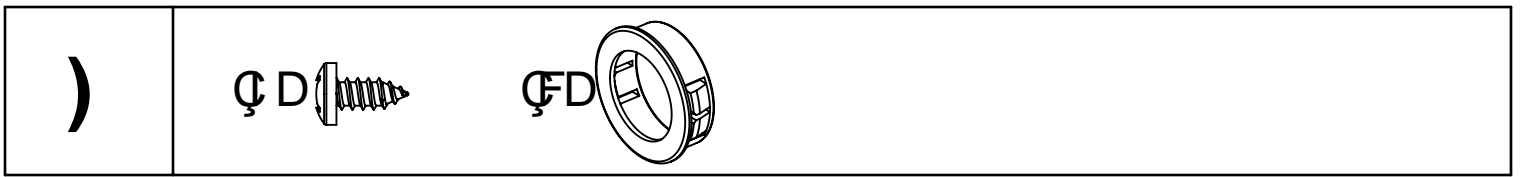
%

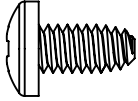


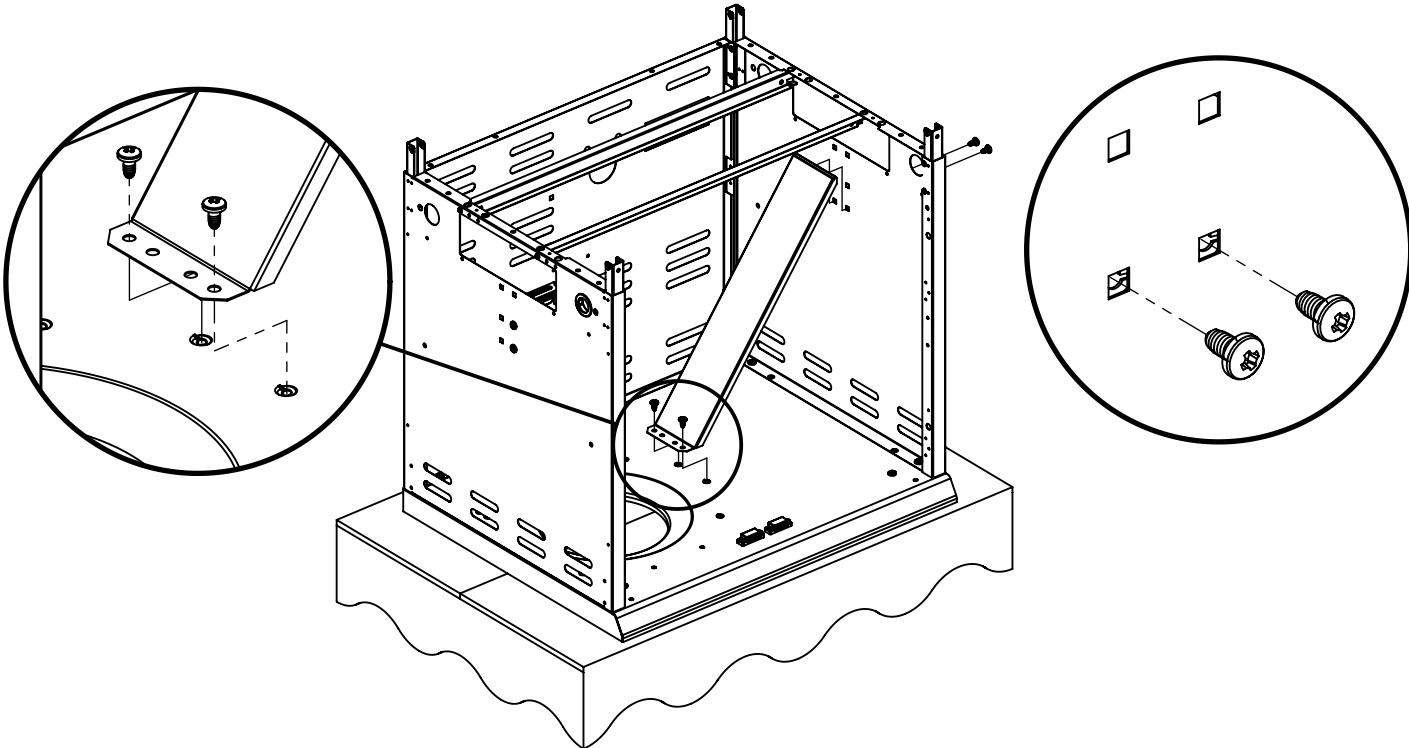
&



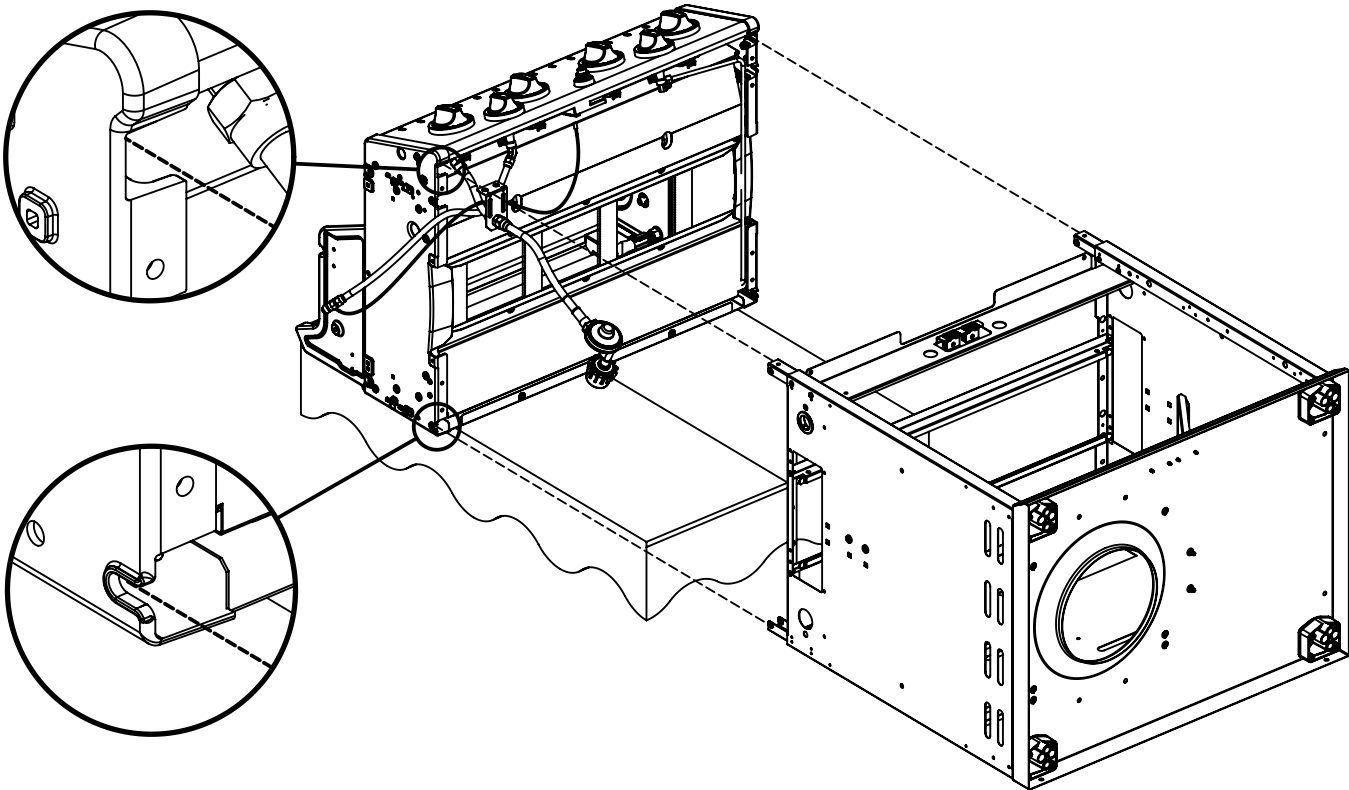


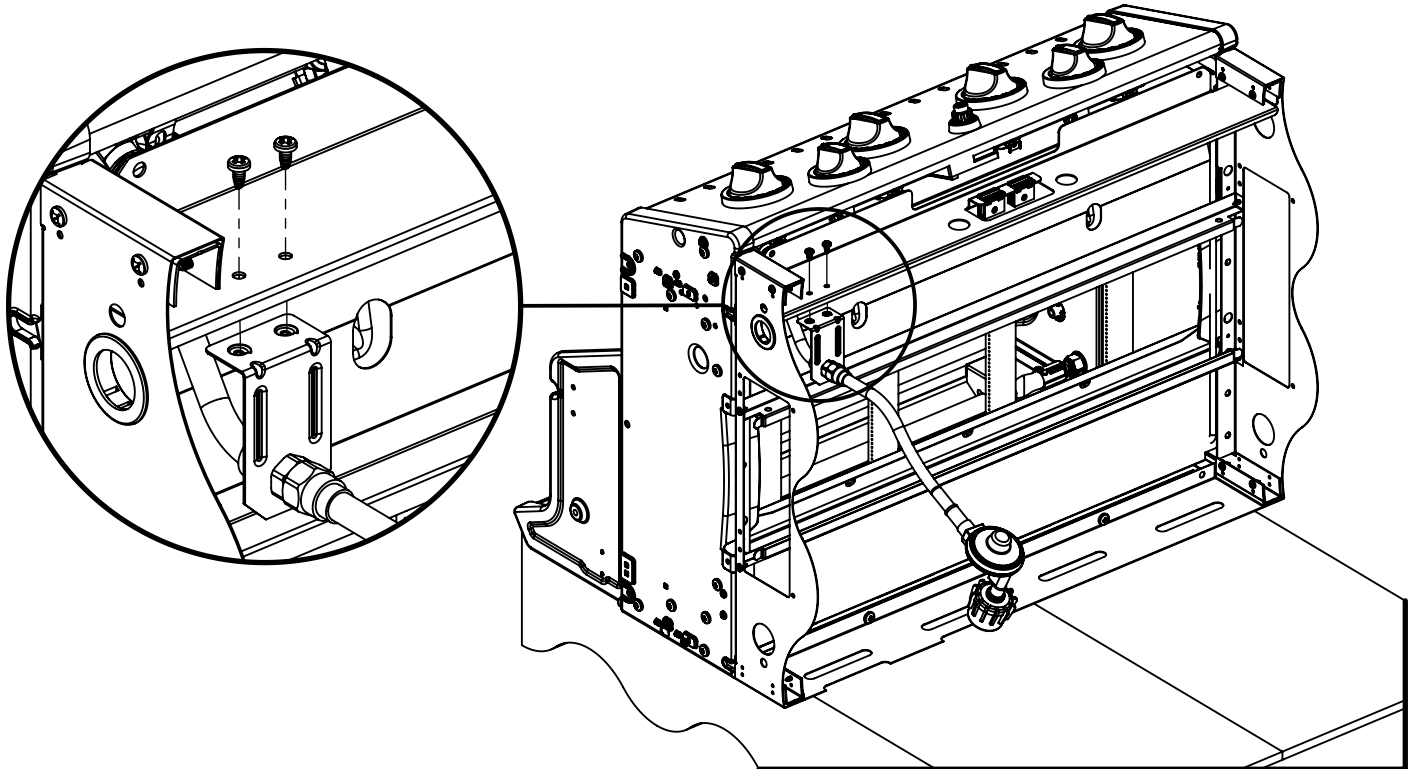
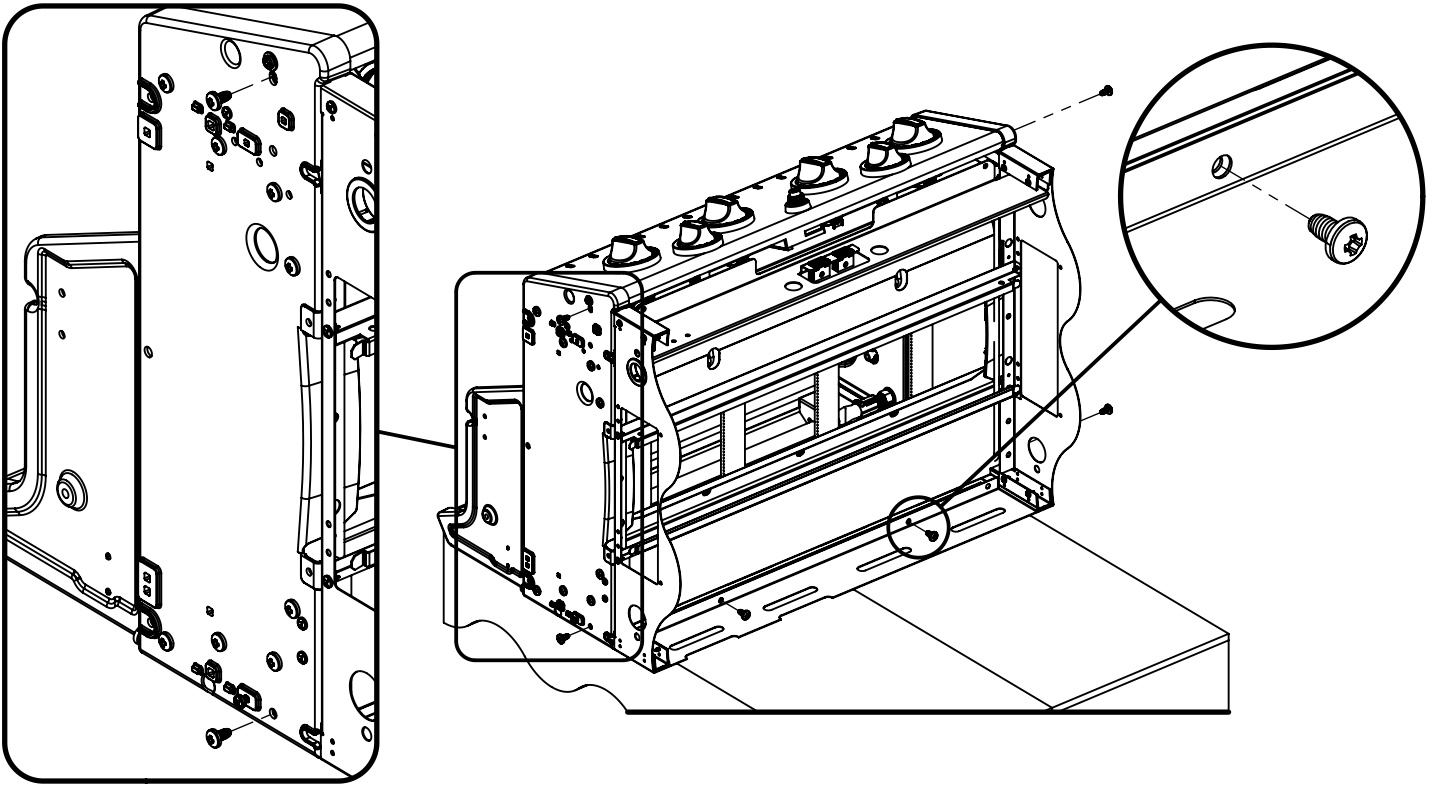
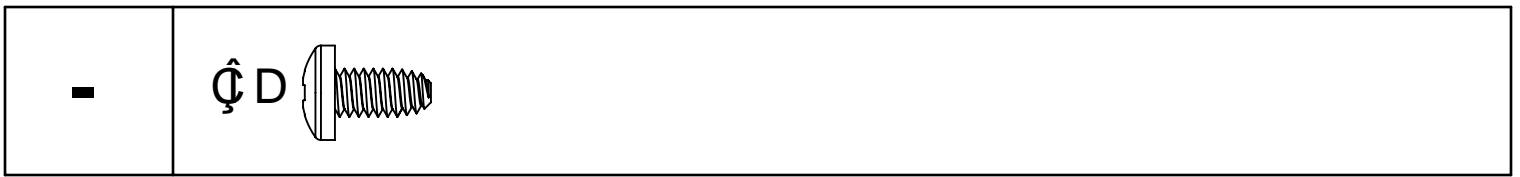


+	Ç D 
---	---

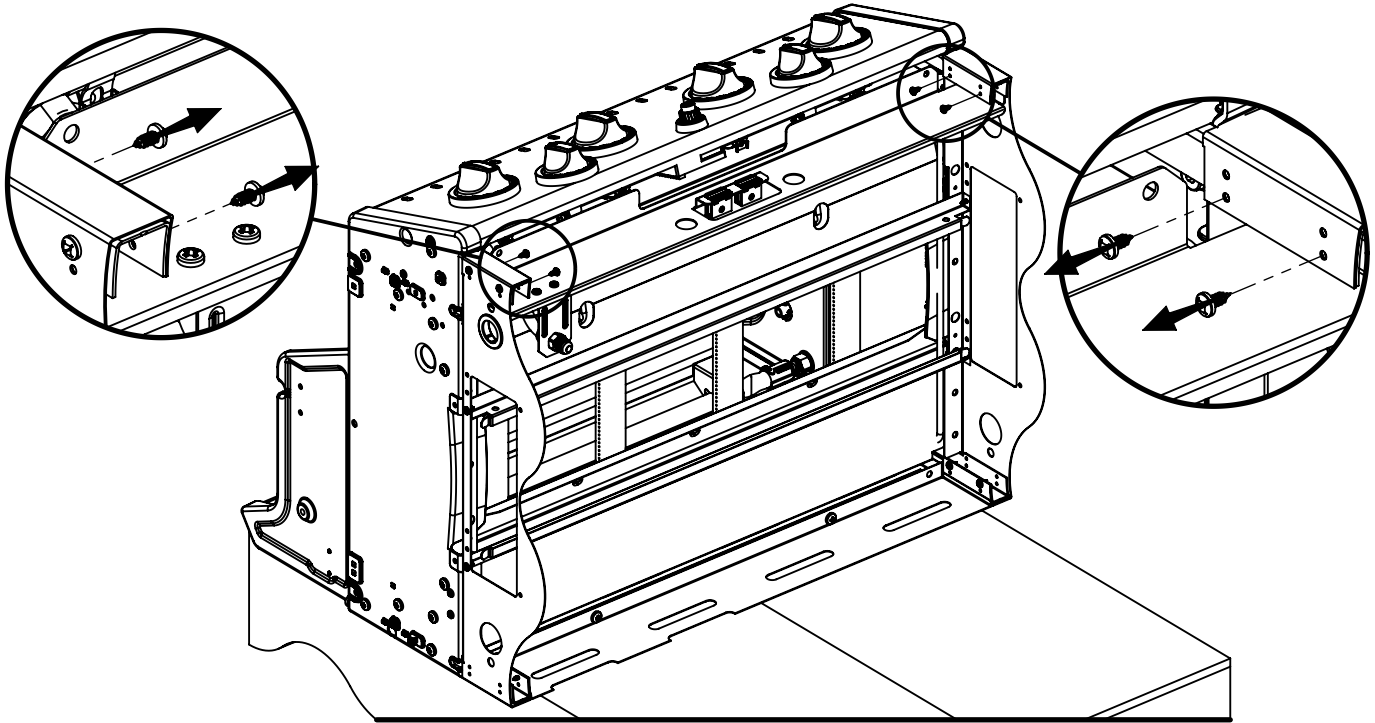


,	
---	--

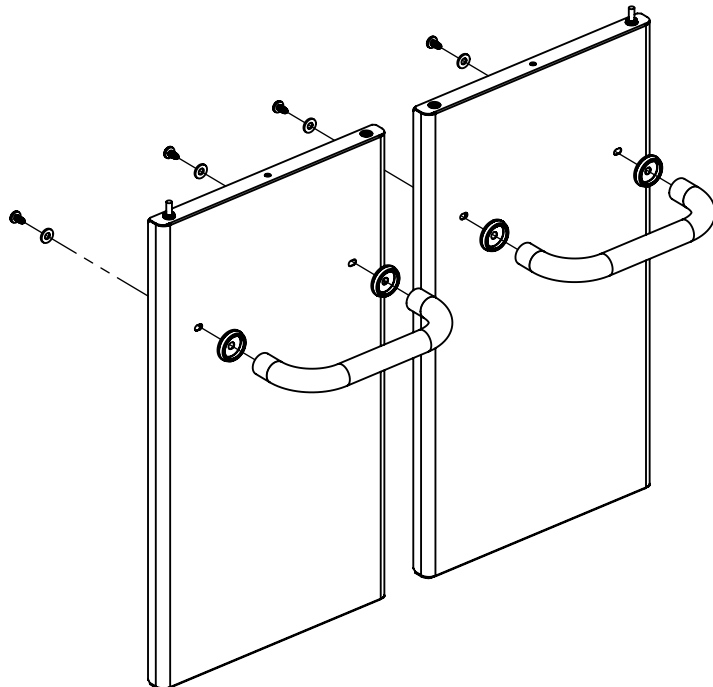
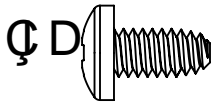


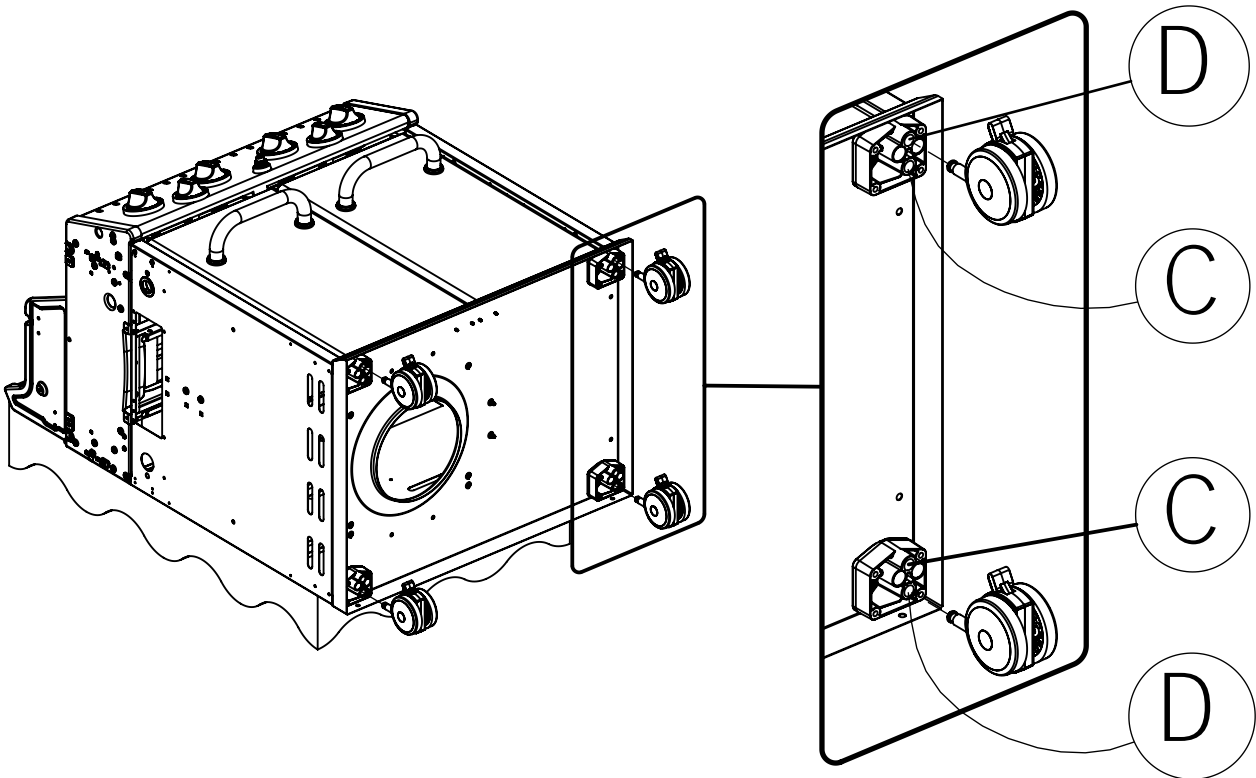
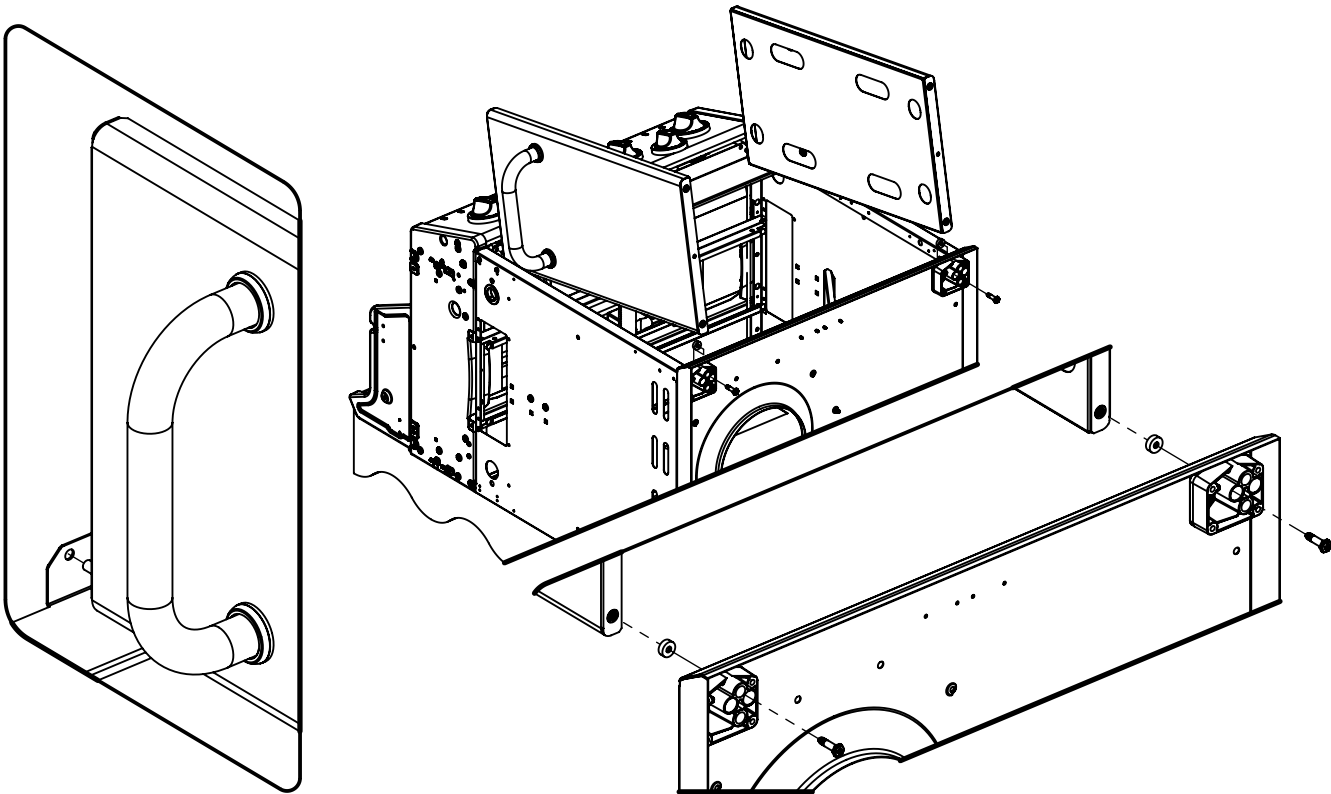
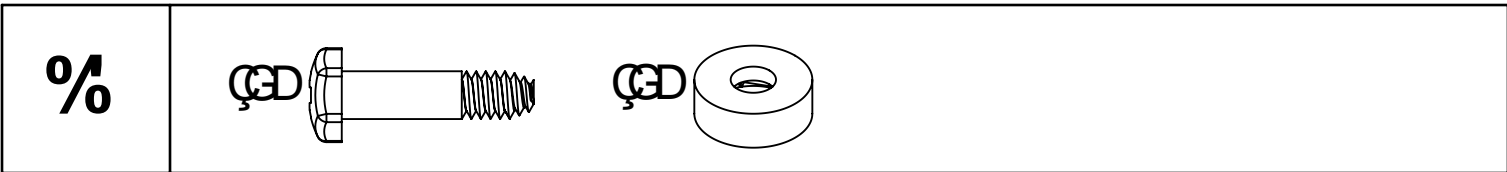


0/0

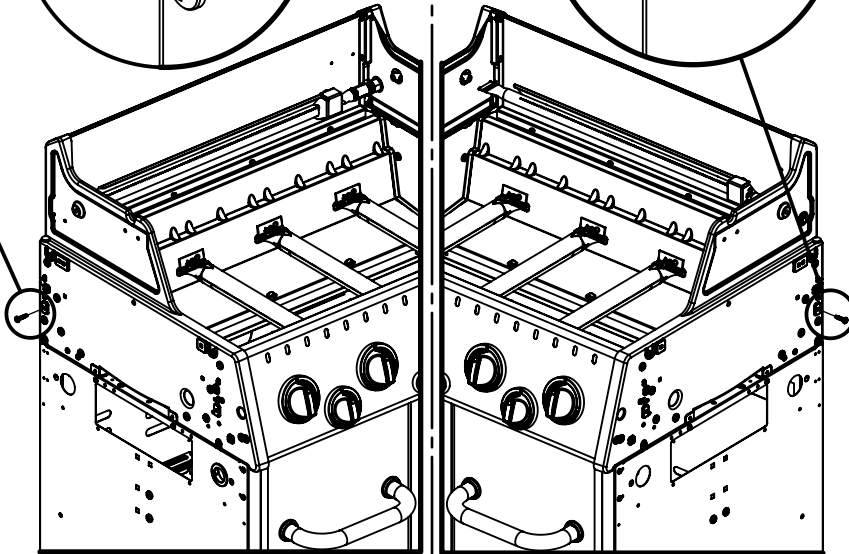
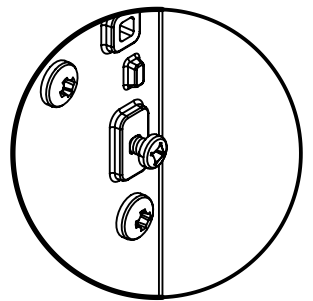
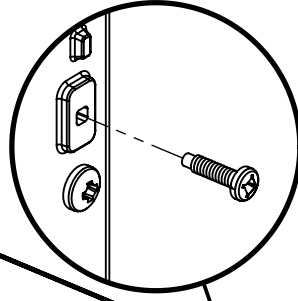
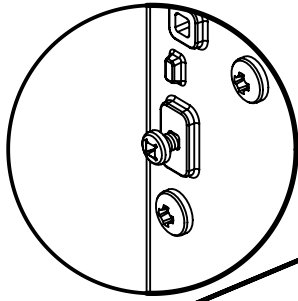
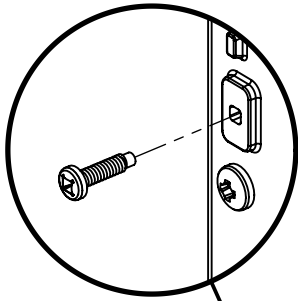
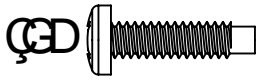


0/8

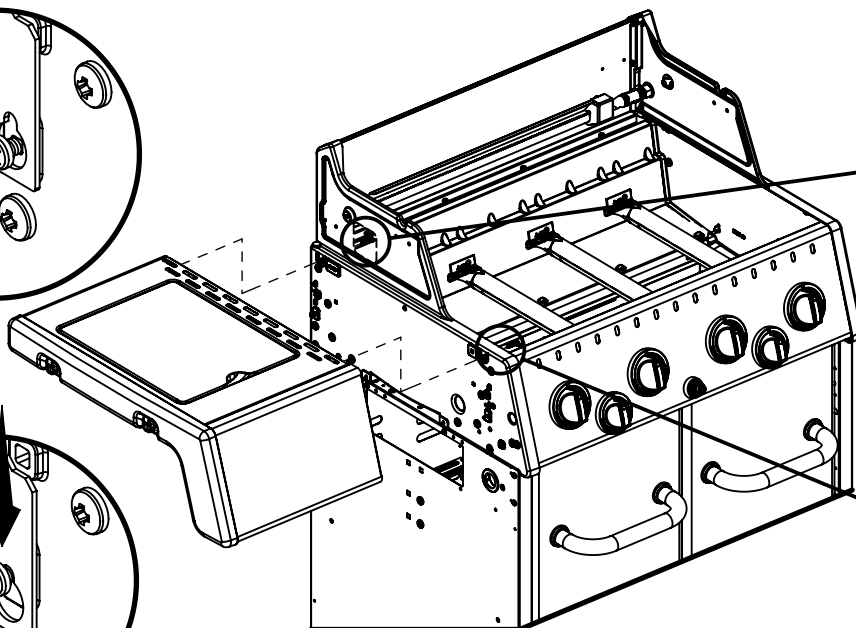
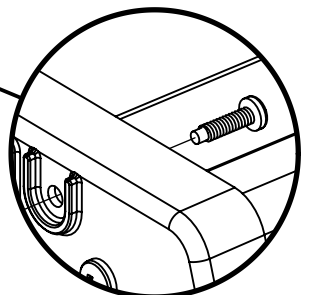
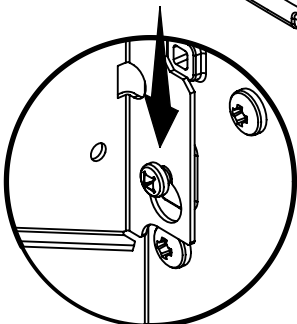
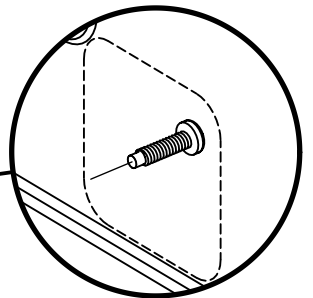
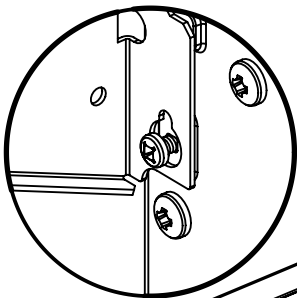
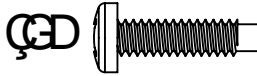


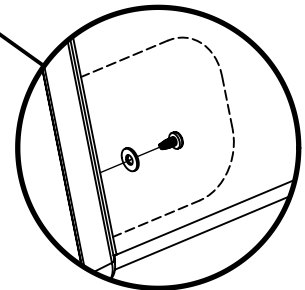
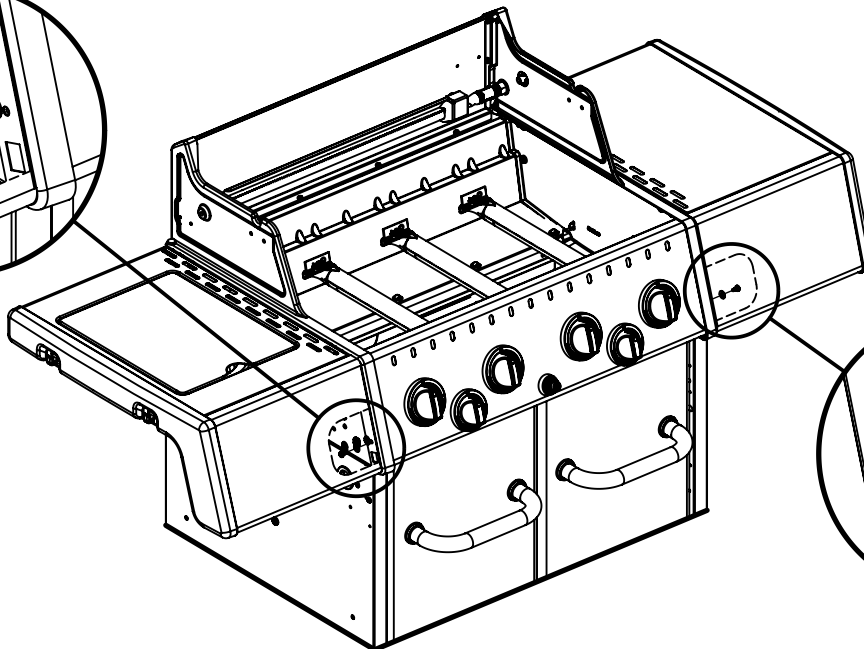
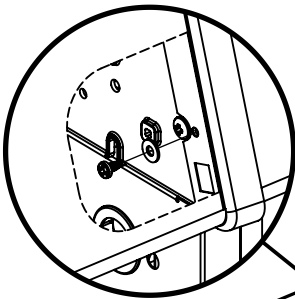
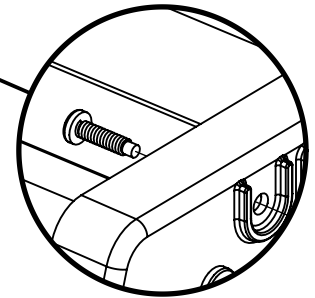
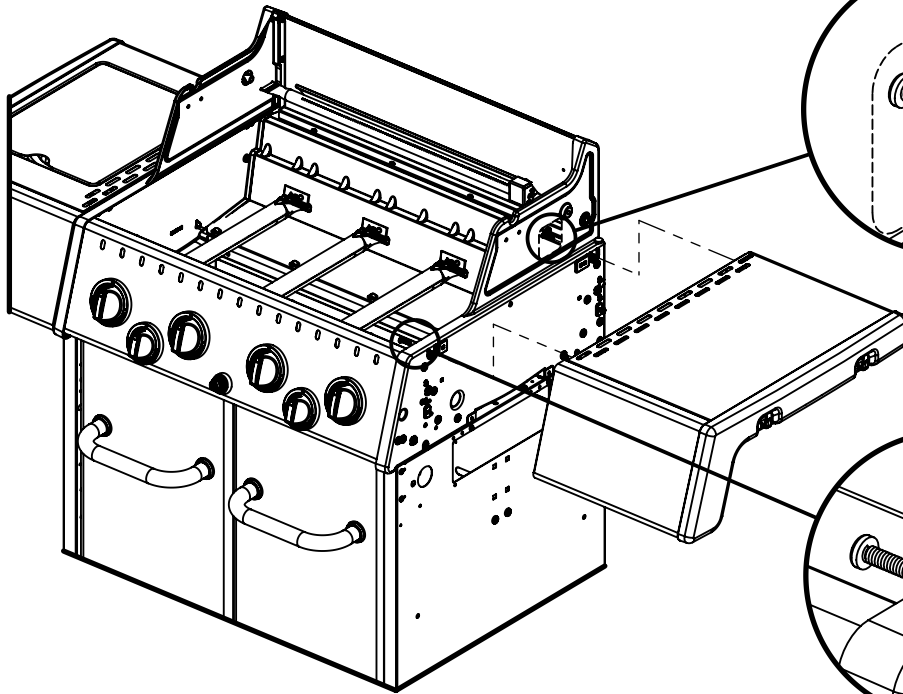
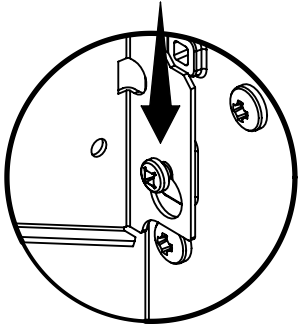
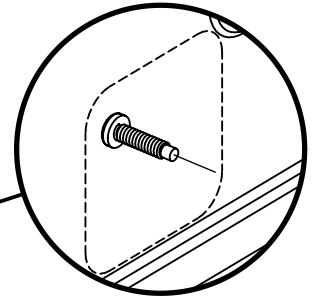
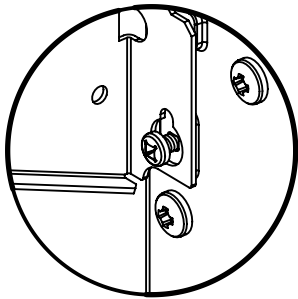
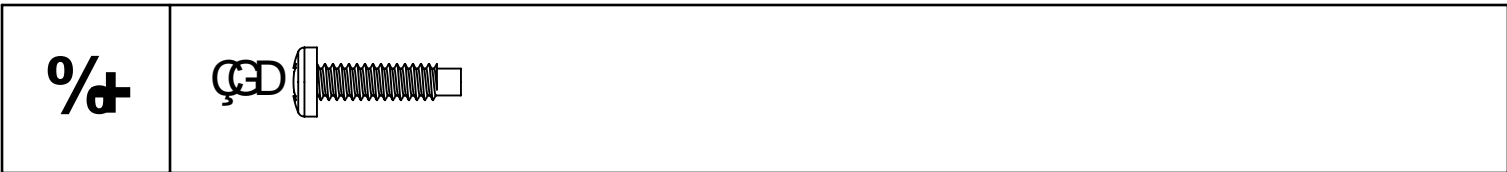


0/9



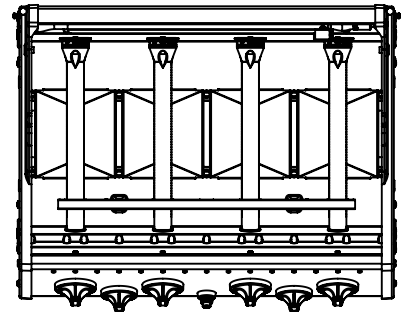
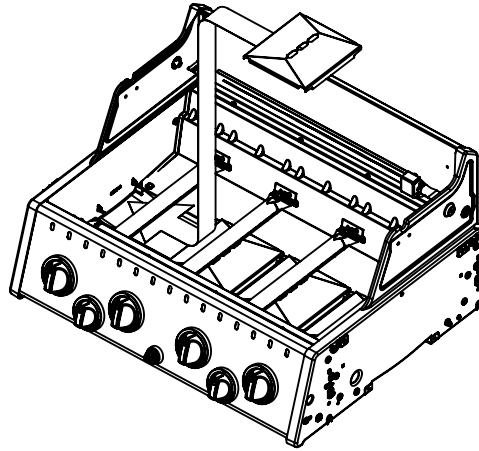
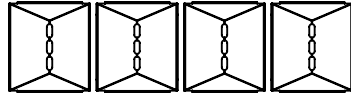
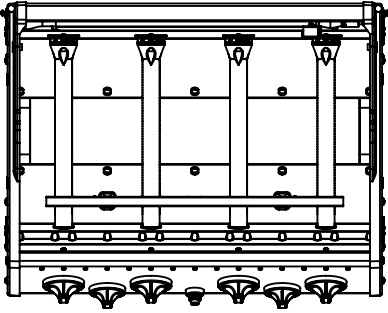
0/\*



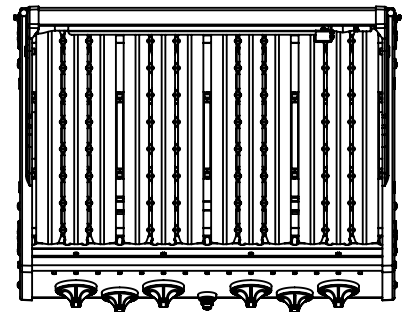
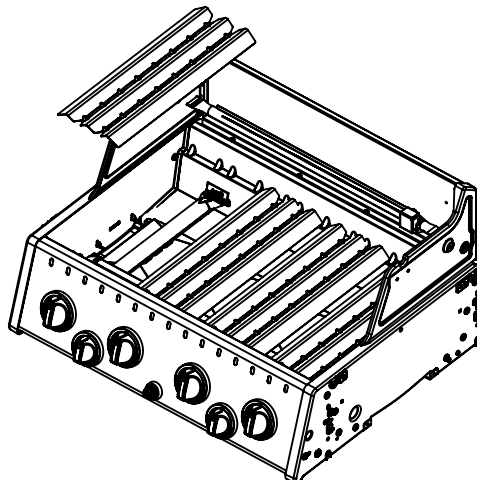
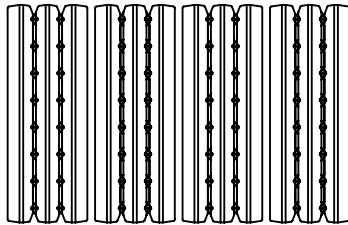
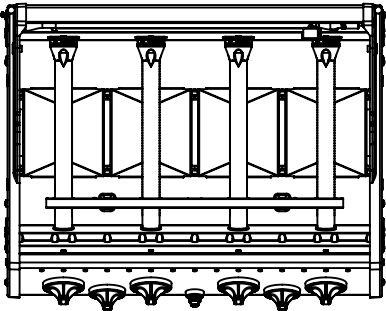




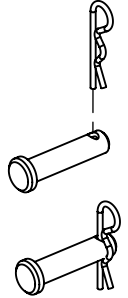
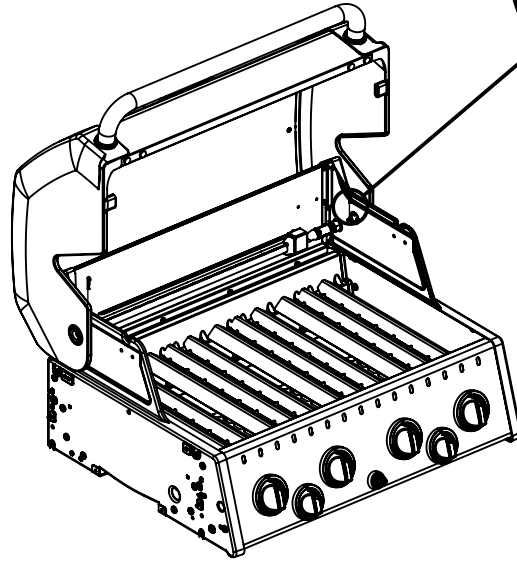
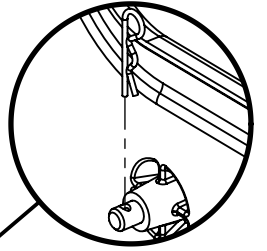
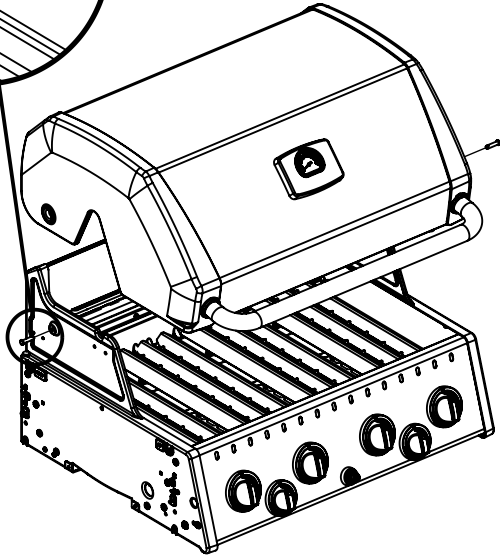
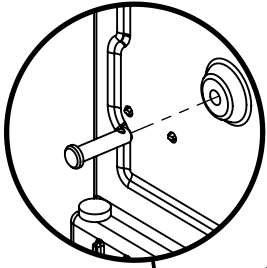
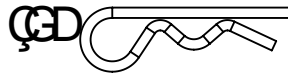
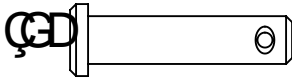
&\$



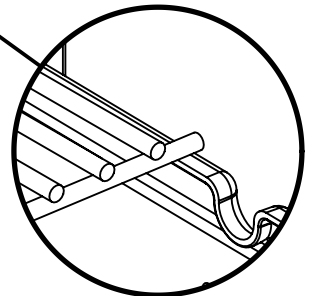
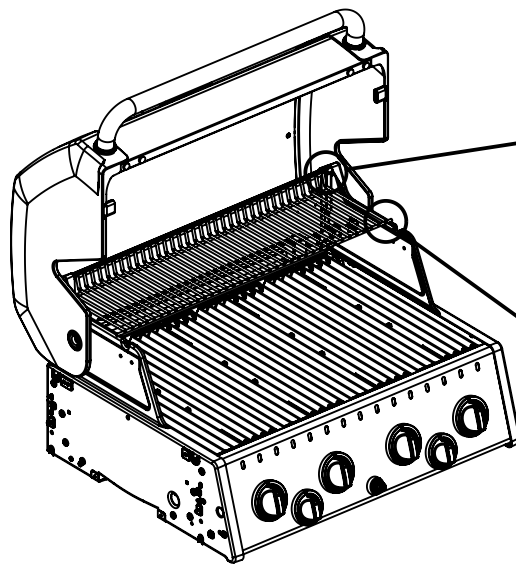
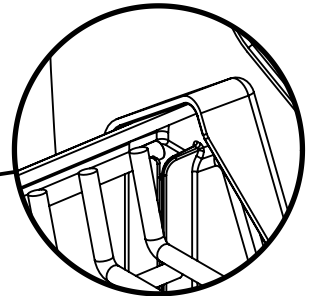
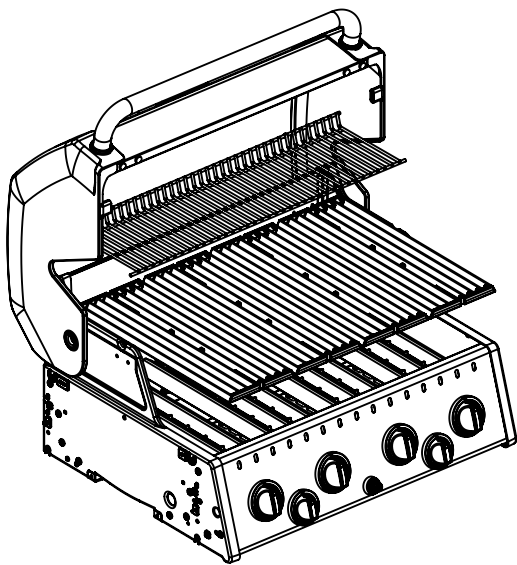
&%

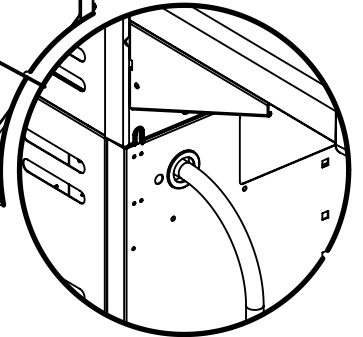
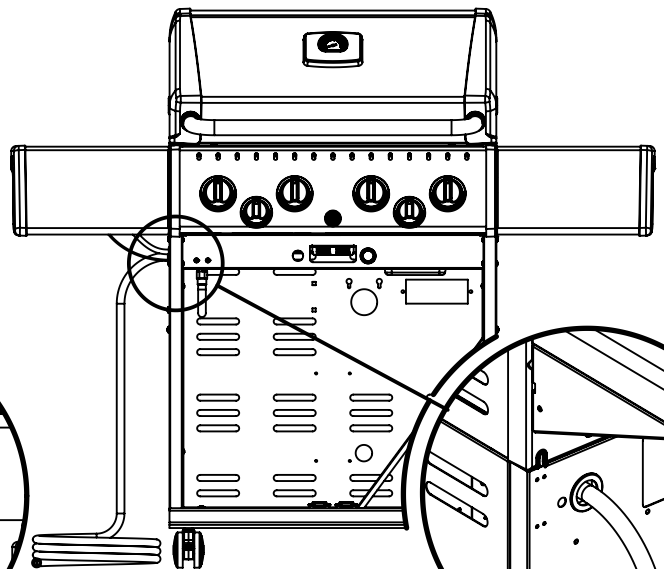
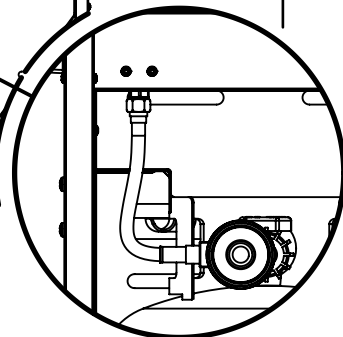
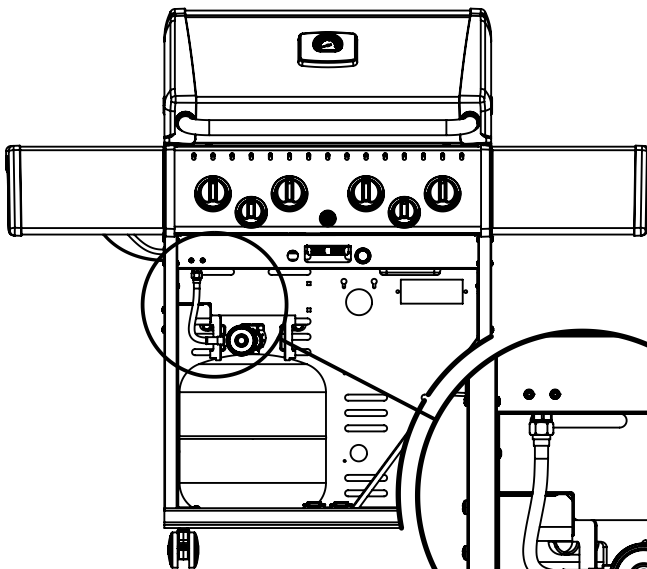
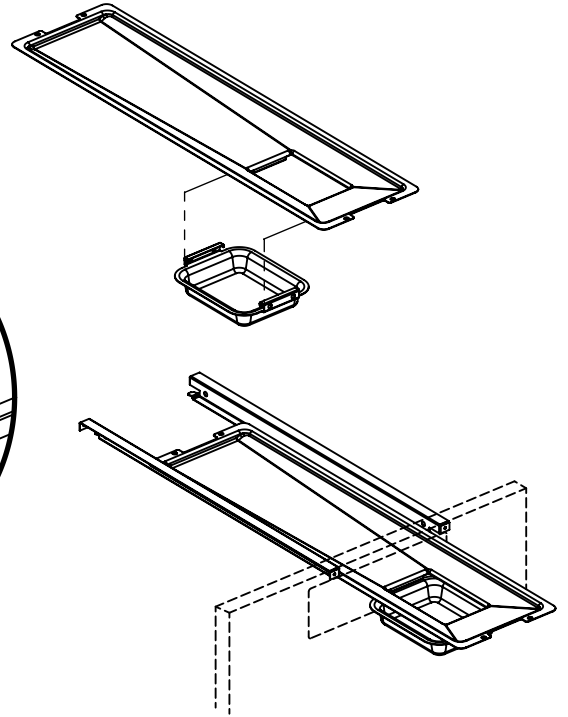
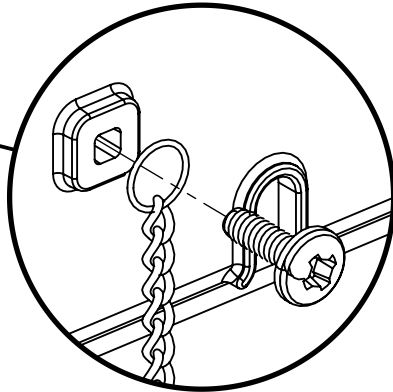
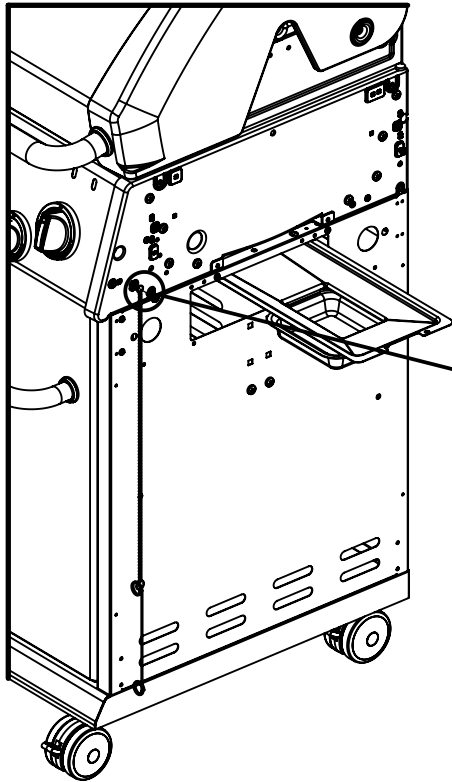
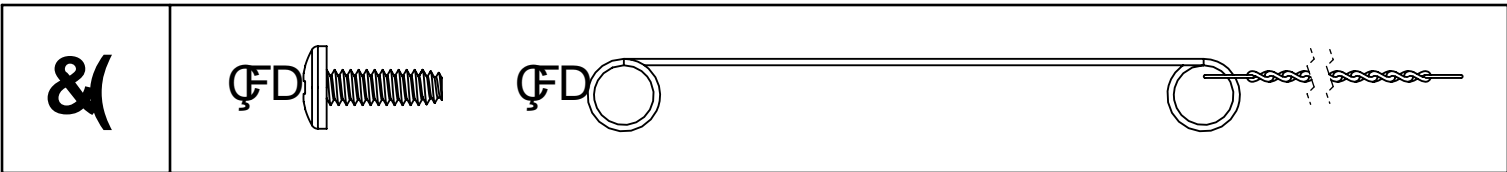


&&



&











KEY #	ITEM #	DESCRIPTION	DESCRIPTION	DESCRIPCION	765284	765287	765284	765287	765284	765287	765284	765287	765284	765287	765284	765287	765284	765287		
1	56005-804	LID	COVERCLE	TAPA	1	1	1	1	1	1	1	1	1	1	1	1	1	1	765344	765347
5	10081-69S	NAMEPLATE	PLAQUE D'IDENTIFICATION	PLACA CON NOMBRE	1	1	1	1	1	1	1	1	1	1	1	1	1	1	765384	765387
6	10571-6	HEAT INDICATOR	INDICATEUR DE CHALEUR	INDICADOR DE TEMPERATURA	1	1	1	1	1	1	1	1	1	1	1	1	1	1	765284	765287
7	24005-12A	HANDLE	POIGNÉE	MANGO	1	1	1	1	1	1	1	1	1	1	1	1	1	1	765284	765287
8	24009-936	HANDLE BEZEL	MONTURE DE POIGNÉE	BISEL DEL MANGO	2	2	2	2	2	2	2	2	2	2	2	2	2	2	765284	765287
10	52005-274	FIREBOX	BOITE DE FEU	CAJA DE FUEGO	1	1	1	1	1	1	1	1	1	1	1	1	1	1	765284	765287
15	22225-014A	COLLECTOR BOX	COLLECTE BOX	CAJA RECOLECTORA	1	1	1	1	1	1	1	1	1	1	1	1	1	1	765284	765287
17	27249-904	GREASE SHIELD	PROTECTION CONTRE LA GRAISSE	PROTECTOR CONTRA GRASA	4	4	4	4	4	4	4	4	4	4	4	4	4	4	765284	765287
25	52904-144LP	BURNER - MAIN	BRÛLEUR - PRINCIPAL	QUEMADOR - PRINCIPAL	4/4	4/4	4/4	4/4	4/4	4/4	4/4	4/4	4/4	4/4	4/4	4/4	4/4	4/4	765284	765287
28	52025-304NA	CONTROL COVER	PANNEAU DE CONTROLE	CUBIERTA DE CONTROL	1	1	1	1	1	1	1	1	1	1	1	1	1	1	765284	765287
29	59005-074	CONTROL ASSEMBLY	SOUPAPE	MECANISMO DE CONTROL	1	1	1	1	1	1	1	1	1	1	1	1	1	1	765284	765287
30	S13473-091	HOSE - SIDE BURNER	TUYAU - BRÛLEUR DE CÔTÉ	MANGUERA - QUEMADOR LATERAL	1/4	1/4	1/4	1/4	1/4	1/4	1/4	1/4	1/4	1/4	1/4	1/4	1/4	1/4	765284	765287
31	10114-16	HOSE & REGULATOR	TUYAU ET REGULATEUR	MANGUERA Y REGULADOR	1/4	1/4	1/4	1/4	1/4	1/4	1/4	1/4	1/4	1/4	1/4	1/4	1/4	1/4	765284	765287
32	10111-K45	NATURAL GAS HOSE	TUYAU DE GAZ NATUREL	MANGUERA PARA GAS NATURAL	1/4	1/4	1/4	1/4	1/4	1/4	1/4	1/4	1/4	1/4	1/4	1/4	1/4	1/4	765284	765287
33	27905-354	BURNER - ROTISSERIE	BRÛLEUR DE TOURNÉBROCHE	QUEMADOR PARA ROSTIZAR	1	1	1	1	1	1	1	1	1	1	1	1	1	1	765284	765287
34	S15608A	ELECTRODE	ELECTRODE	ELECTRODO	1	1	1	1	1	1	1	1	1	1	1	1	1	1	765284	765287
35	50909-957	MANIFOLD - REAR BURNER	TUBE DE BRÛLEUR ARRIÈRE	TUBO QUEMADOR POSTERIOR	1	1	1	1	1	1	1	1	1	1	1	1	1	1	765284	765287
36	Y-11990	NUT HEX	ÉCROU HEXAGONAL	TUERCA HEXAGONAL	1	1	1	1	1	1	1	1	1	1	1	1	1	1	765284	765287
38	22002-268	CONTROL BEZEL - RESIN - LARGE	MONTURE DE CONTROLE	BISEL DE CONTROL	4	4	4	4	4	4	4	4	4	4	4	4	4	4	765284	765287
39	22001-168	CONTROL BEZEL - RESIN - SMALL	MONTURE DE CONTROLE	BISEL DE CONTROL	1	1	1	1	1	1	1	1	1	1	1	1	1	1	765284	765287
40	10472-K431	CONTROL KNOB - LARGE	BOUTON DE CONTROLE	PERILLA DE CONTROL	4	4	4	4	4	4	4	4	4	4	4	4	4	4	765284	765287
41	10472-K231	CONTROL KNOB - SMALL	BOUTON DE CONTROLE	PERILLA DE CONTROL	1	1	1	1	1	1	1	1	1	1	1	1	1	1	765284	765287
42	10342-247	ELECTRONIC IGNITOR	ALLUMAGE ELECTRONIQUE	ENCENDEADOR ELECTRÓNICO	1	1	1	1	1	1	1	1	1	1	1	1	1	1	765284	765287
43	10342-245	ELECTRODE	ÉLECTRODE	ELECTRODO	1	1	1	1	1	1	1	1	1	1	1	1	1	1	765284	765287
44	52209-404	FLAV-R-WAVE®	FLAV-R-WAVE®	FLAV-R-WAVE®	2	2	2	2	2	2	2	2	2	2	2	2	2	2	765284	765287
45a	52007-181	GRID-SINGLE-CAST IRON	GRILLE-SEUL-FER	REJILLA-UNICA-HIERRO	4	4	4	4	4	4	4	4	4	4	4	4	4	4	765284	765287
45b	52005-284	GRID-SINGLE-SS	GRILLE-SEUL-INOX	REJILLA-UNICA-INOX	2	2	2	2	2	2	2	2	2	2	2	2	2	2	765284	765287
46	52002-181	GRID-DOUBLE-CAST IRON	GRILLE-DOUBLE-FER	REJILLA-DOUBLE-HIERRO	2	2	2	2	2	2	2	2	2	2	2	2	2	2	765284	765287
47	52005-991	GRID-DOUBLE-SS	GRILLE-DOUBLE-INOX	REJILLA-DOUBLE-INOX	2	2	2	2	2	2	2	2	2	2	2	2	2	2	765284	765287
48	52009-901	GRID - WARMING RACK	GRILLE - MAINTIEN AU CHAUD	REJILLA - ESTANTE PARA CALENTAR	1	1	1	1	1	1	1	1	1	1	1	1	1	1	765284	765287
49	52009-901	GREASE TRAY	PLATEAU A GRAISSE	BANDEJA RECOLECTORA DE GRASA	1	1	1	1	1	1	1	1	1	1	1	1	1	1	765284	765287
50	51275-134A	GREASE PAN	CUVETTE A GRAISSE	BANDEJA PARA LA GRASA	1	1	1	1	1	1	1	1	1	1	1	1	1	1	765284	765287
51	51275-131A	GREASE TRAY - RAIL	PLATEAU A GRAISSE - SUPPORT	BANDEJA DE GRASA - SOPORTE	2	2	2	2	2	2	2	2	2	2	2	2	2	2	765284	765287
51	51275-114A	DOOR - LEFT HAND	PORTE - GAUCHE	PUERTA - IZQUIERDA	1	1	1	1	1	1	1	1	1	1	1	1	1	1	765284	765287
51	51275-114A	DOOR - RIGHT HAND	PORTE - DROITE	PUERTA - DERECHA	1	1	1	1	1	1	1	1	1	1	1	1	1	1	765284	765287
55	21071-113	DOOR HANDLE	POIGNÉE DE LA PORTE	TIRADOR DE PUERTA	1	1	1	1	1	1	1	1	1	1	1	1	1	1	765284	765287
56	21070-13	HANDLE BEZEL	MONTURE DE POIGNÉE	TIRADOR BEZEL	2	2	2	2	2	2	2	2	2	2	2	2	2	2	765284	765287
60	21109-905	CABINET - SIDE PANEL	CABINET - PANNEAU LATÉRAL	ARMARIO - PANEL LATERAL	4	4	4	4	4	4	4	4	4	4	4	4	4	4	765284	765287
61	21305-925	CABINET - REAR PANEL	CABINET - PANNEAU ARRIÈRE	ARMARIO - PANEL TRASERO	2	2	2	2	2	2	2	2	2	2	2	2	2	2	765284	765287
65	51615-245	CABINET - LOWER BASE	TABLETTE INFÉRIEURE	ARMARIO - BASE INFERIOR	1/4	1/4	1/4	1/4	1/4	1/4	1/4	1/4	1/4	1/4	1/4	1/4	1/4	1/4	765284	765287
	51615-275				1/4	1/4	1/4	1/4	1/4	1/4	1/4	1/4	1/4	1/4	1/4	1/4	1/4	1/4	765284	765287
	51615-271				1	1	1	1	1	1	1	1	1	1	1	1	1	1	765284	765287





