

This Owner's Manual is provided and hosted by [Appliance Factory Parts](#).



Broil King 8342-84 Owner's Manual

[Shop genuine replacement parts for Broil King 8342-84](#)



[Find Your Broil King Grill Parts - Select From 1349 Models](#)

----- Manual continues below part list -----

Available Replacement Parts for Broil King 8342-84

| | |
|-----------------------------|--------------------------------------|
| 18013 | LARGE PROBE HEAT INDICATOR |
| 10081-BK630 | NAMEPLATE HI BROIL KING BLACK ZINC |
| 10240-15 | HINGE PIN SIDE SHELF DROP DOWN |
| S21237 | HINGE PIN SPACER |
| 10892-15 | CASTER 2 1/2 INCH WHEEL KNURLED |
| S21124 | SCREW PHCP #8 X 12 + |
| 10390-E10 | BURNER SIDE 10BTU W/ELEC #8 + |
| Y-12220 | S/B BUSHING SB 1.375 16 HEY |
| 10956-E421 | BRACE UPPER REAR BLACK 1.609 |
| 10892-931A | WHEEL 7 INCH GREY WALL |
| 18429 | FLAV R WAVE - SIGNET/SOVEREIGN |
| S15236 | ROTISSERIE MOTOR AC 120V |
| S15263 | ROTISSERIE BUSHING |
| S15299 | WASHER COUNTERWEIGHT ROTIS |
| S15270 | ROTISSERIE COUNTERWEIGHT ASSY |
| S15271 | ROTISSERIE HANDLE + |
| Y-12223 | MAGNET SNAP IN - DOOR |
| Y-12222 | MAGNET - DOOR |
| 23000-271 | SIDE BURNER BODY BASE |
| 10184-E62 | SHELF SUPPORT BRACKET LHS + |
| 10184-E63 | SHELF SUPPORT BRACKET RHS + |
| 10958-E761 | PANEL SIDE BLACK + |
| 10184-E691 | ALIGNMENT BRACKET BLACK |
| S15170 | AXLE PLTD 3/8X20 5/8 CAB + |
| 10184-E651 | SHELF SUPPORT LHS BLK |
| 10184-E641 | SHELF SUPPORT RIGHT BLK |
| 18629 | TUBE IN TUBE BURNER SIGNET/SOVEREIGN |
| 10184-E501 | CASTING SUPPORT L BLK |
| 10184-E511 | CASTING SUPPORT RHS BLK |
| 11184-E341 | ROTISSERIE BRACKET MOTOR |

| | |
|----------------------------|--|
| 10184-E44 | ROTISSERIE BRACKET LHS (1 HOLE) |
| 11251 | CI COOKING GRID - MONARCH 300 (set of 2) |
| 10696-102 | ORIFICE HOOD R/B 0.102MM LP |
| 10240-20 | DOOR PIN TOP |
| 21475-138 | DOOR HANDLE RESIN |
| 10342-T16 | WIRE ELECTRODE S/B + |
| 23000-251 | COVER SIDE BURNER BLACK + |
| 10184-E211 | TANK COLLAR CLAMP 3B BLACK |
| 10711-E821 | SHELF BODY BLACK |
| 10711-E831 | SHELF BODY BLACK LHS |
| 10184-E96 | RADIATION SHIELD 340 |
| 10184-E97 | SUPPORT 340 GREASE TRAY |
| 10184-R83 | CASTING BOSS EXTENSION 340 + |
| 10222-E301 | DIVIDER SS - 340 CASTING |
| 10711-E33 | EDGE CAP CONTROL COVER RHS |
| 10711-E34 | EDGE CAP CONTROL COVER LHS |
| 10711-E49 | EDGE CAP SIDE SHELF |
| 22024-903 | COLLECTR BOX 330 UPER 430SS TUBE IN TUBE |
| 23009-951 | SIDE BURNER GRID BLK 330/440/550 |
| 57154-901 | GREASE TRY 340/401 0.8MM BLK HI HEAT PNT |
| 50502 | HEAVY DUTY MEAT FORKS |
| 10110-34 | TUBE 340 REAR BURNER |
| 10184-E151 | TANK STRAP 340 |
| 10184-E33 | ROTISSERIE BRACKET (2 HOLES) |
| S13006A | BURNER REAR TUBULAR + W/IGNITION |
| S15264 | SPIT ROD ROTISSERIE 330 27.5 INCH |
| 10111-16A | HOSE ASSEMBLY PIGTAIL + |
| 10958-E71 | PEDESTAL RESIN BASE LRG + |
| Y-11990 | NUT HEX BRASS 3/8 27 RB LINE |
| 10342-E12 | ELECTRODE W/WIRE + |
| 10342-247 | IGNITOR ELECTRONIC + |
| 10472-K431 | CONTRL KNOB RESIN LRG BLCK W/SS BA STRIP |
| 52009-901 | GREASE PAN - BLACK HIGH HEAT PAINT |

[10114-16](#)

HOSE & REG ASSY 17 INCH LP +

Broil King®

REDDI-BILT BARBECUES

ASSEMBLY MANUAL & PARTS LIST

MANUEL DE MONTAGE & LISTE DE PIÈCES

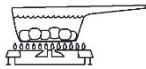
Broil King®

MONARCH 320
8342-54
8342-57



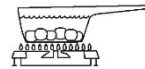
Broil King®

MONARCH 320
9312-54
9312-57



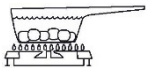
Broil King®

MONARCH 340
8342-64
8342-67



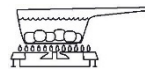
Broil King®

MONARCH 340
9312-64
9312-67



Broil King®

MONARCH 390
8342-84
8342-87



Broil King®

MONARCH 390
9312-84
9312-87



RETAIN FOR FUTURE REFERENCE

VEUILLEZ CONSERVER POUR REFERENCE ULTERIEURE

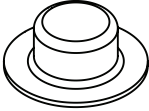

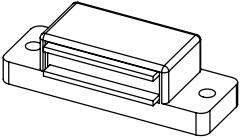
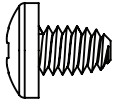
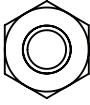

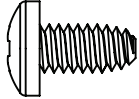

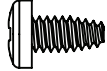
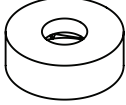
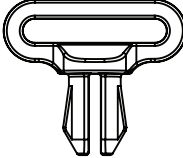
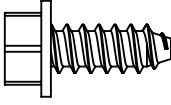
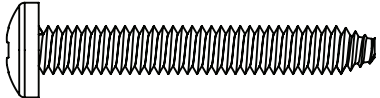
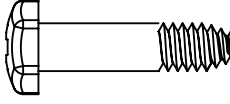



Onward
MANUFACTURING COMPANY
585 KUMPF DRIVE LIMITED
WATERLOO, ONTARIO, CANADA
N2V 1K3

SINCE 1906

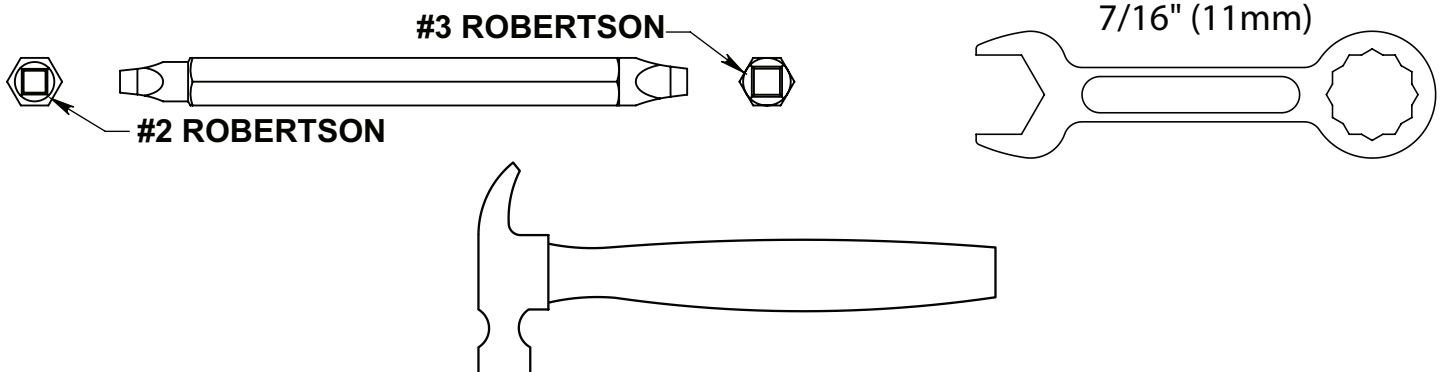
info@omcbbq.com
1-800-265-2150

10084-E29 REV G 09/17

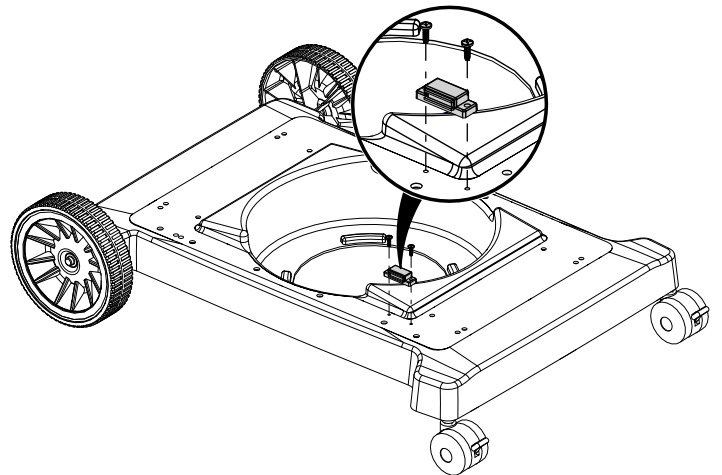
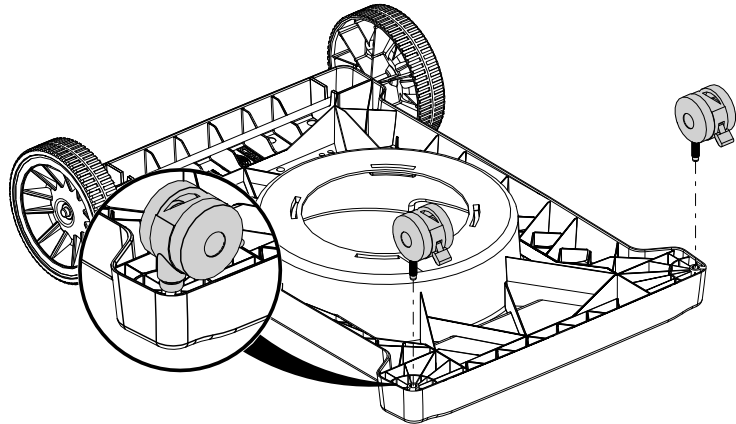
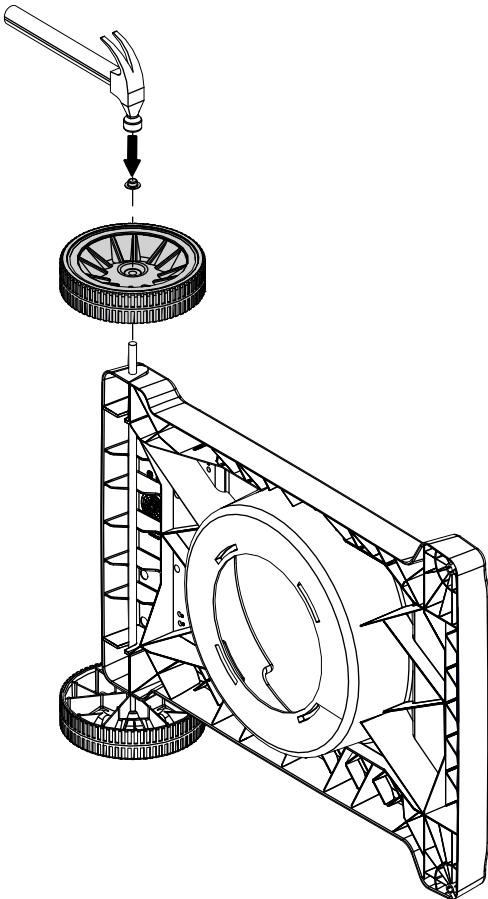
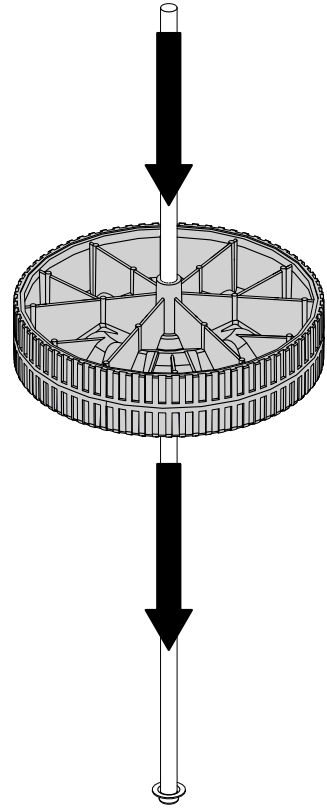
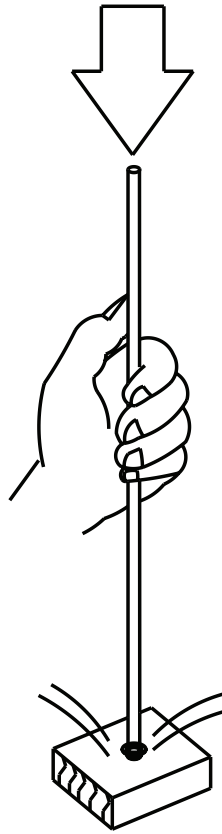
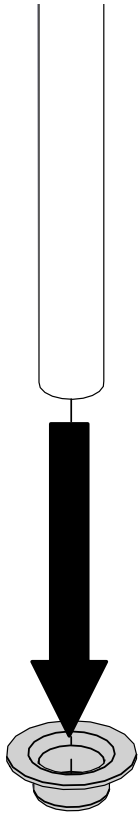
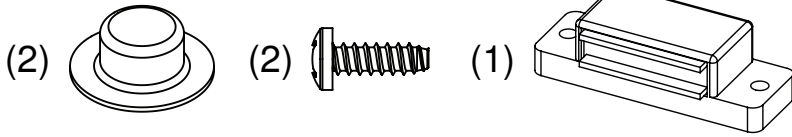
HARDWARE INCLUDED / MATERIAL INCLUS / EQUIPOS INCLUIDO

| | | | | | | | | |
|--------------|--|----|---------|---|----|---------|---|----|
| S21420 |  | X2 | S21124 |  | X2 | Y-12222 |  | X1 |
| Y-12855 |  | X1 | Y-11793 |  | X5 | AAA |  | X1 |
| Y-12865 |  | X8 | Y-12223 |  | X1 | Y-29304 |  | X2 |
| Y-12124 |  | X1 | Y-12673 |  | X2 | S21084 |  | X2 |
| Y-11561 |  | X4 | Y-11551 |  | X1 | | | |
| Y-29306 |  | X2 | S21061 |  | X2 | | | |
| 10070-E340MS |  | | | | | | | X1 |

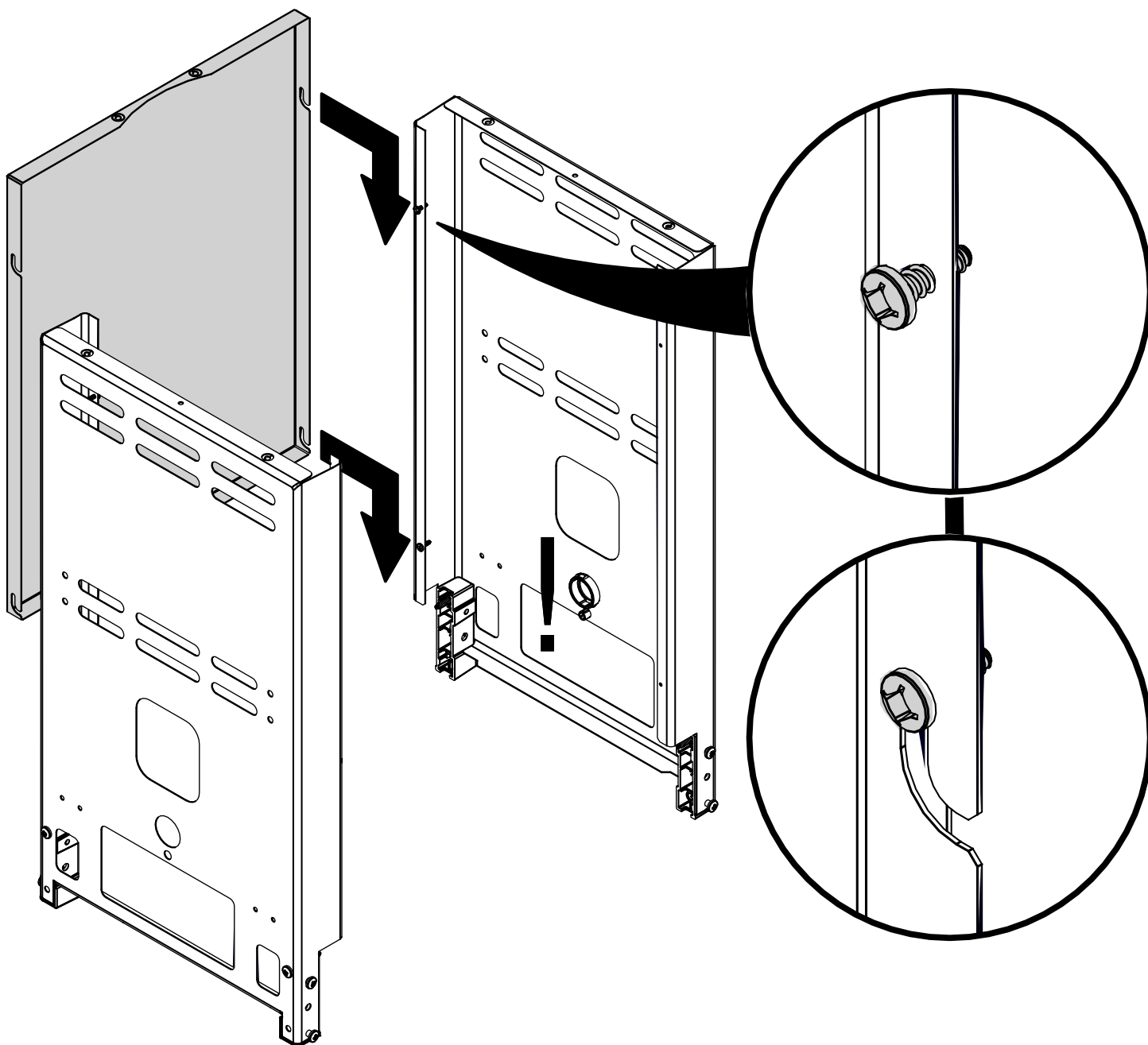
TOOLS REQUIRED / OUTILS NECESSAIRES / HERRAMIENTAS NECESARIAS



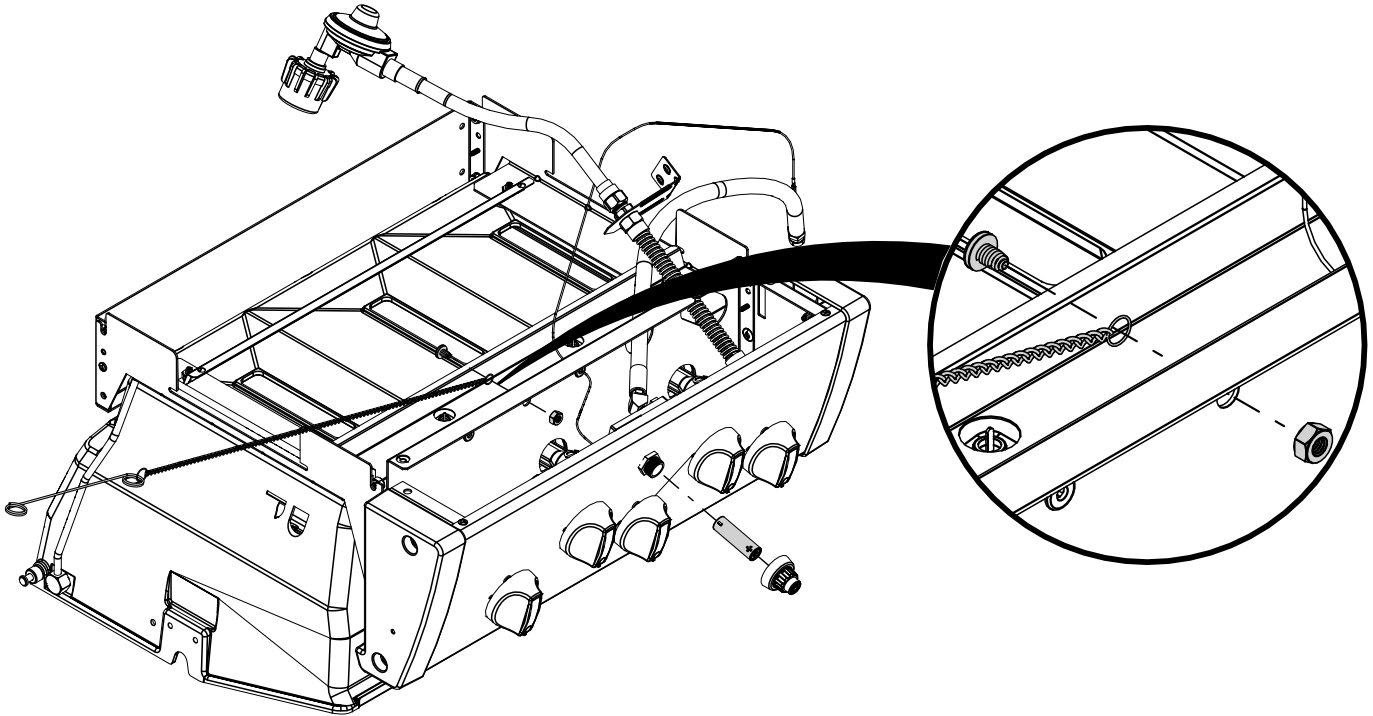
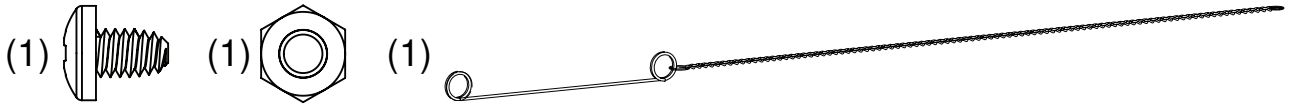
1



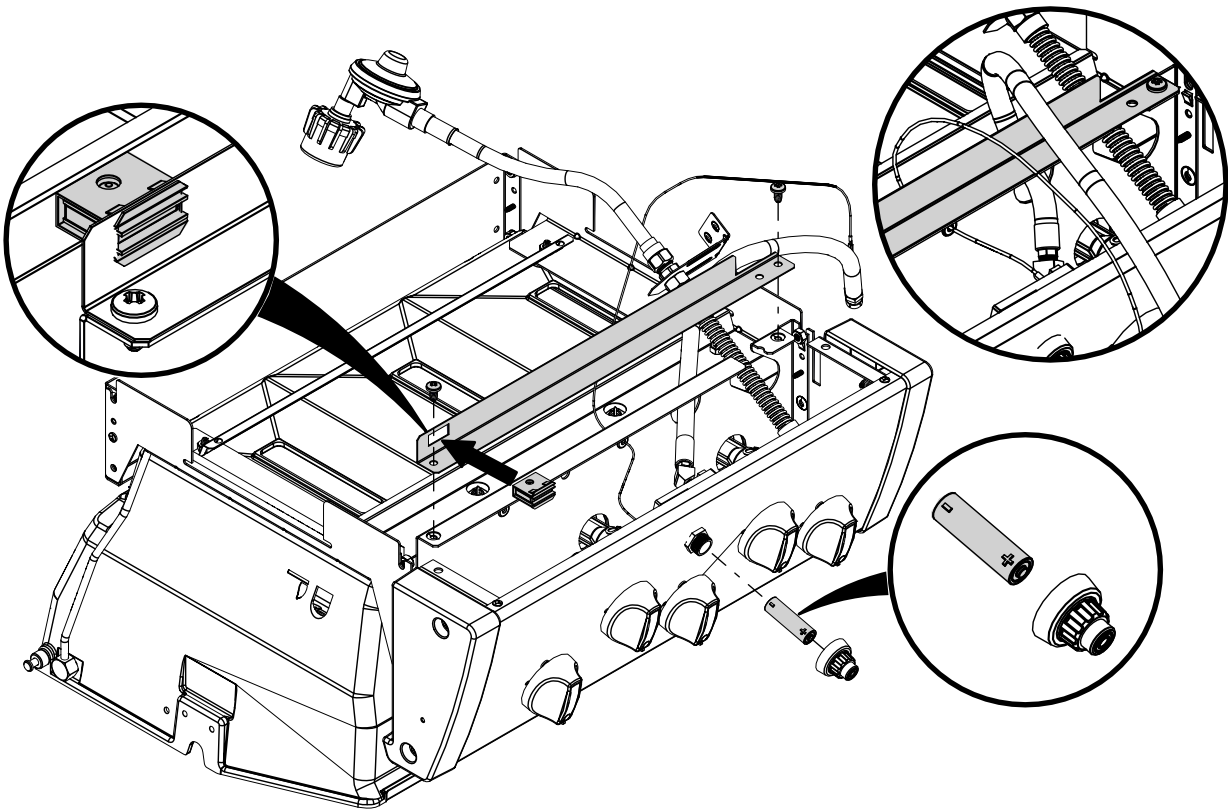
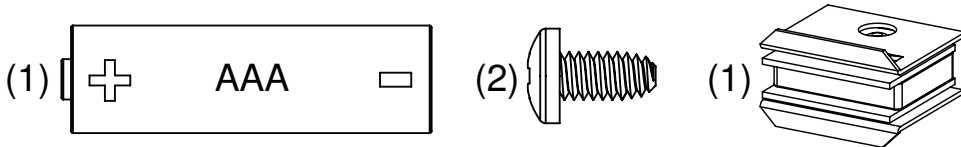
2



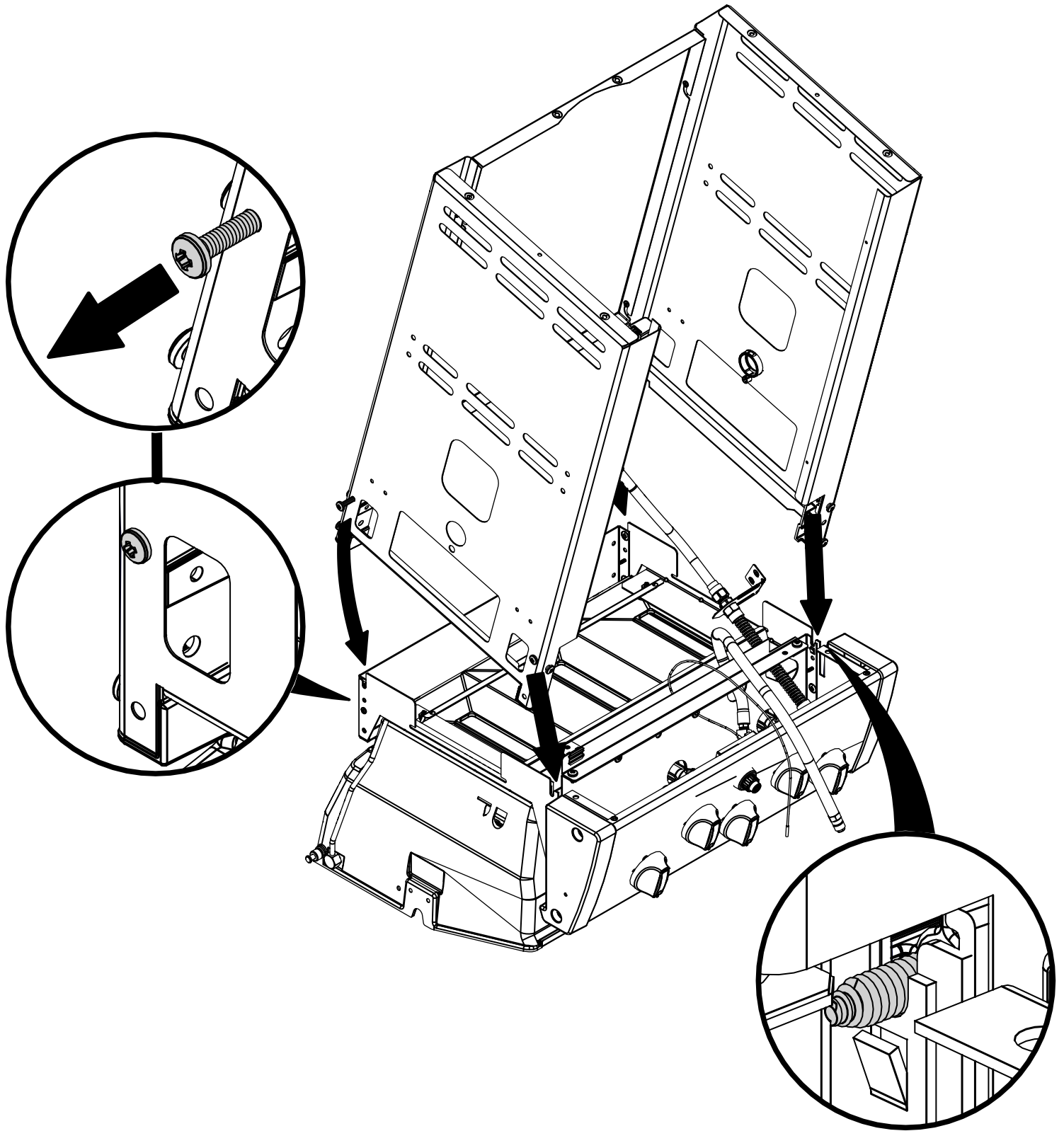
3



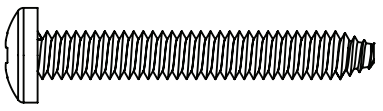
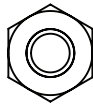
4

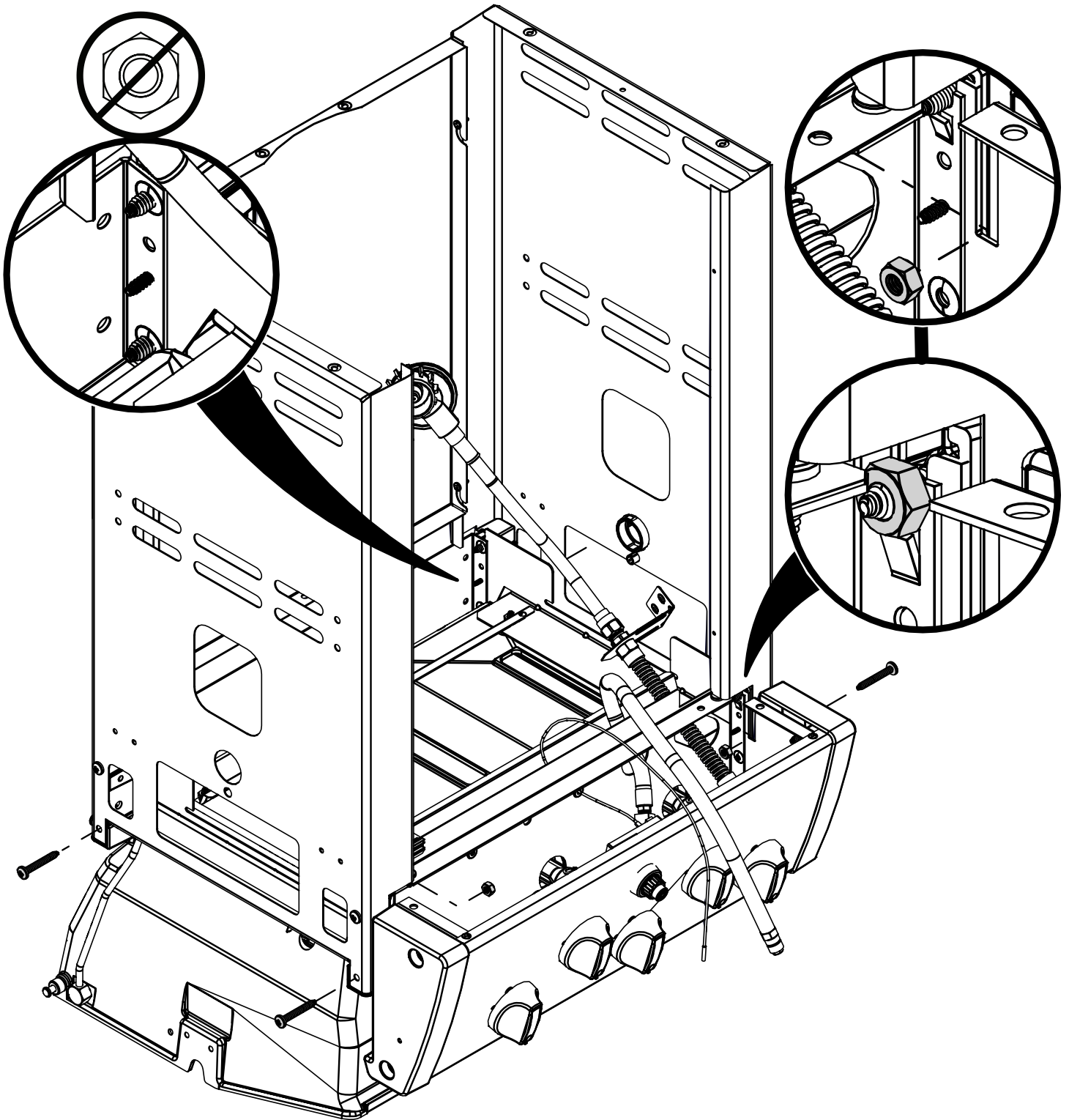


5

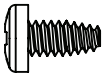


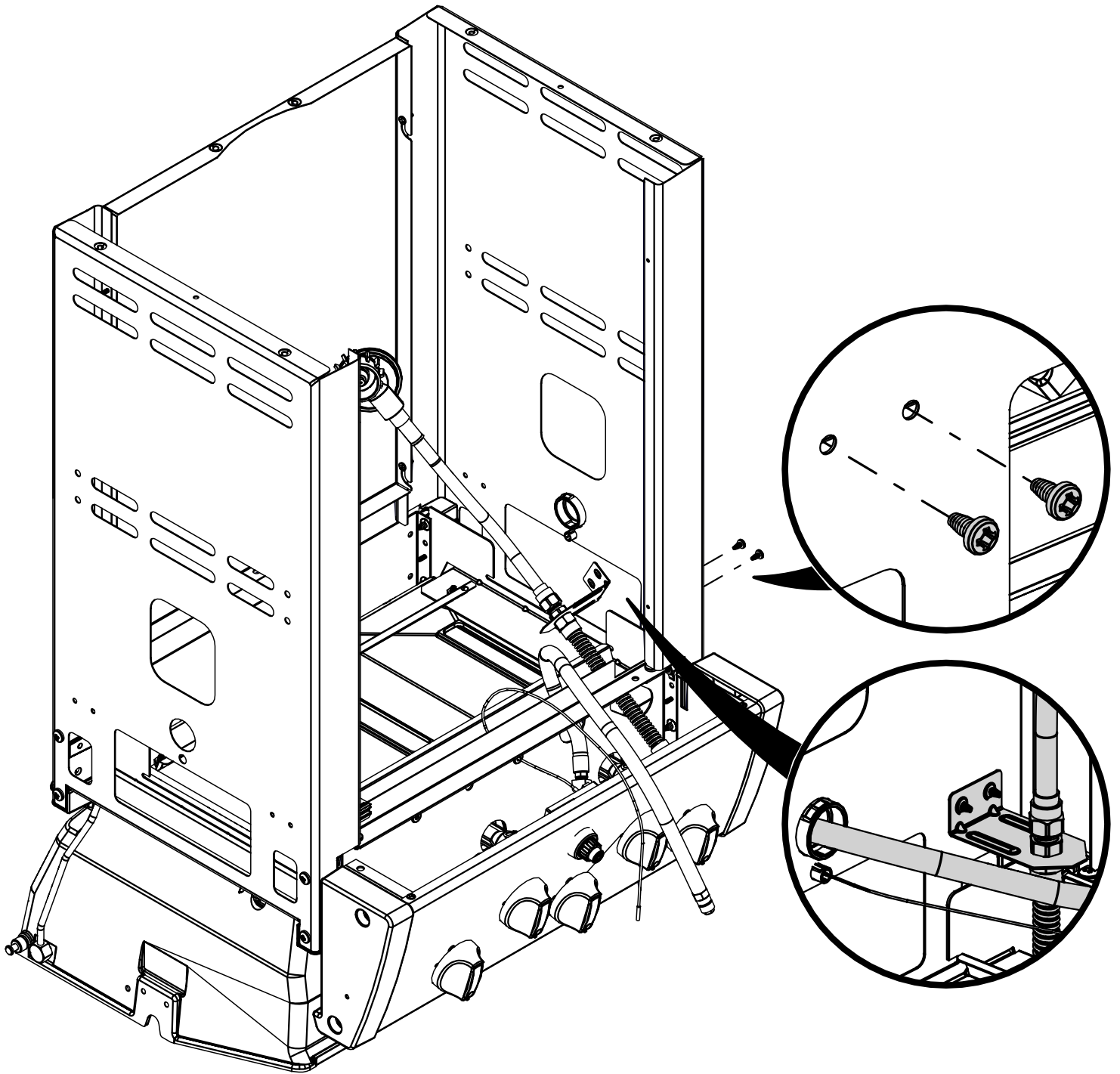
6

(4)  (2) 

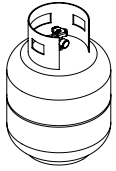


7

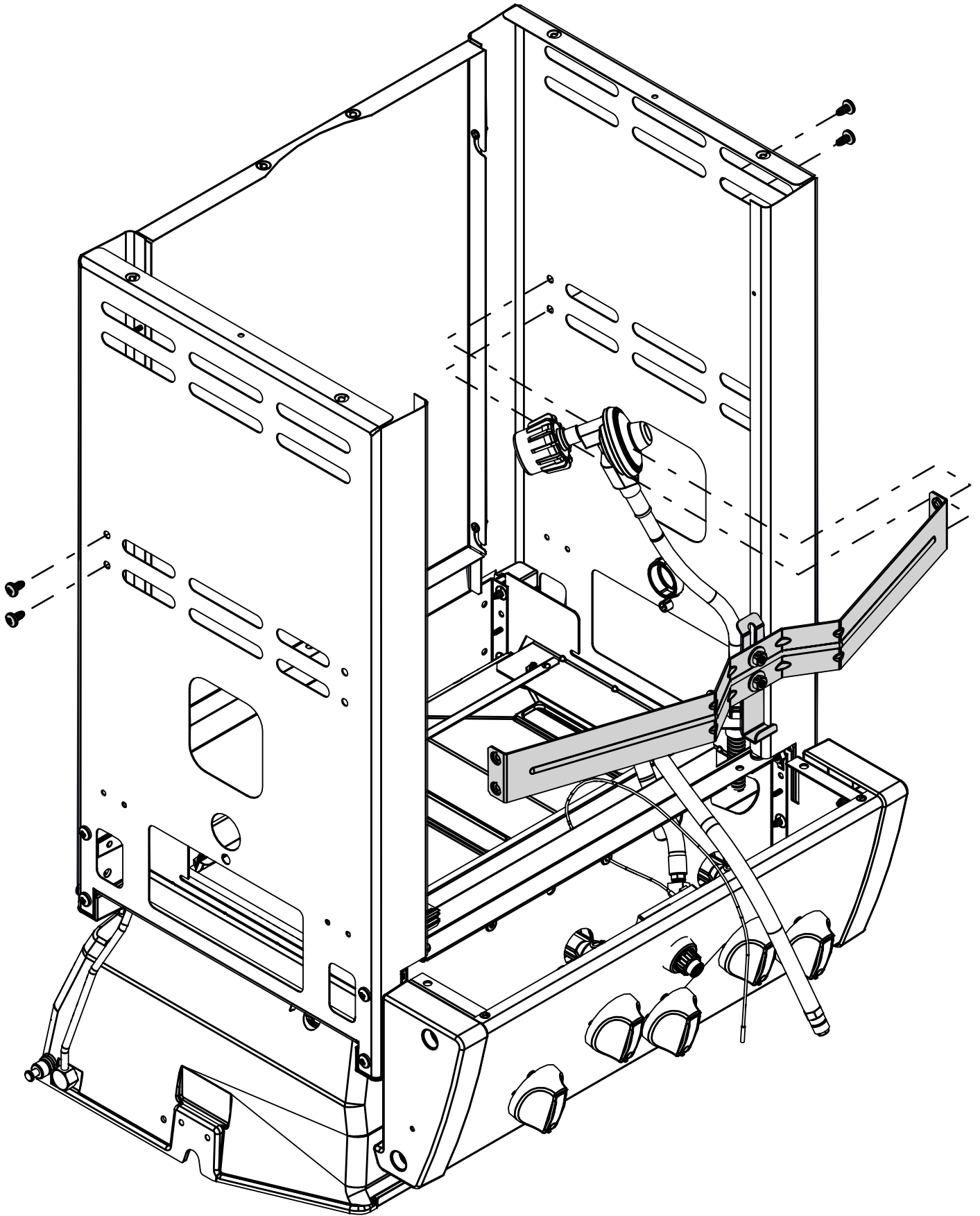
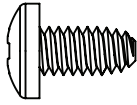
(2) 



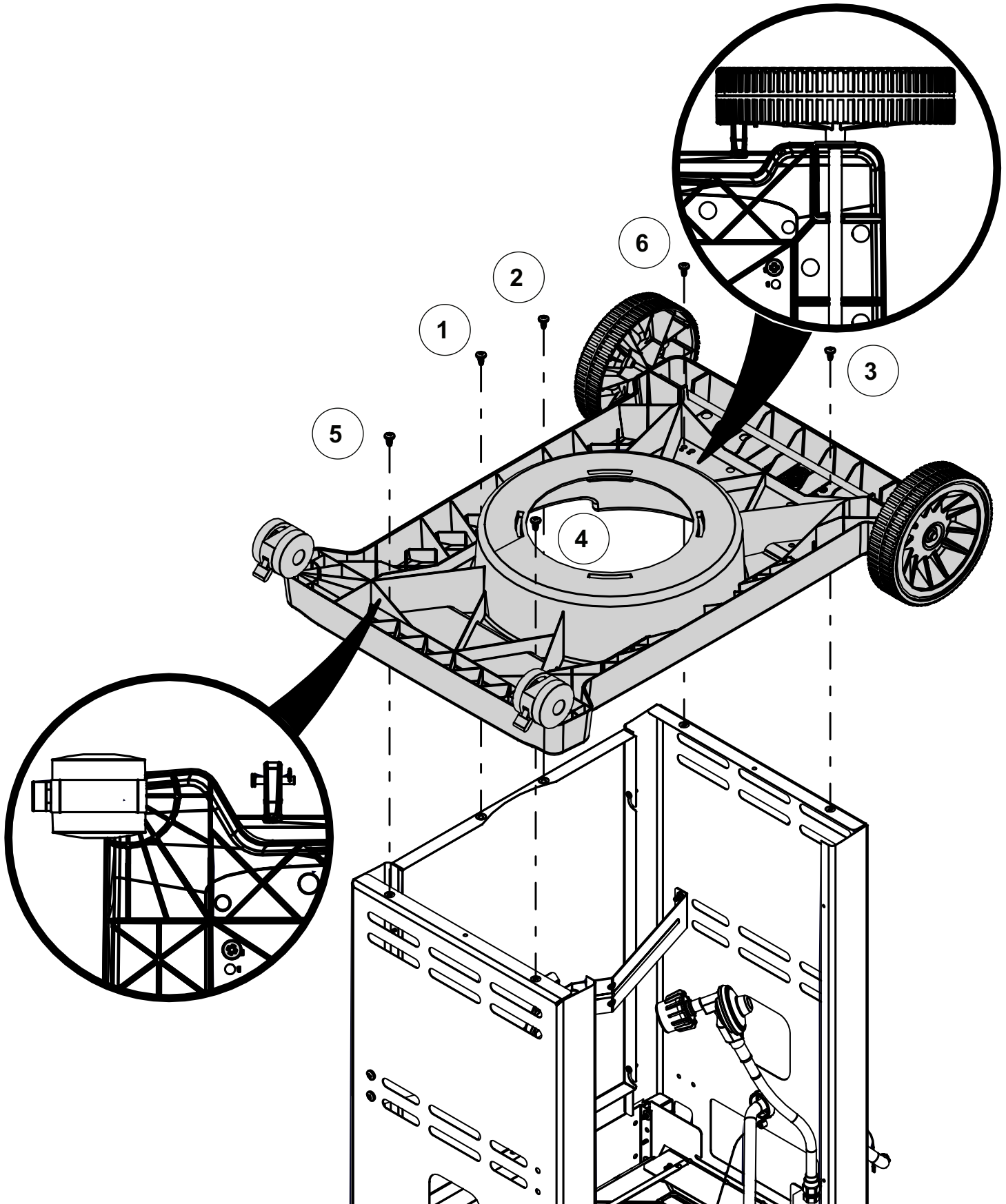
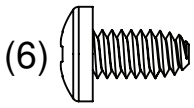
8



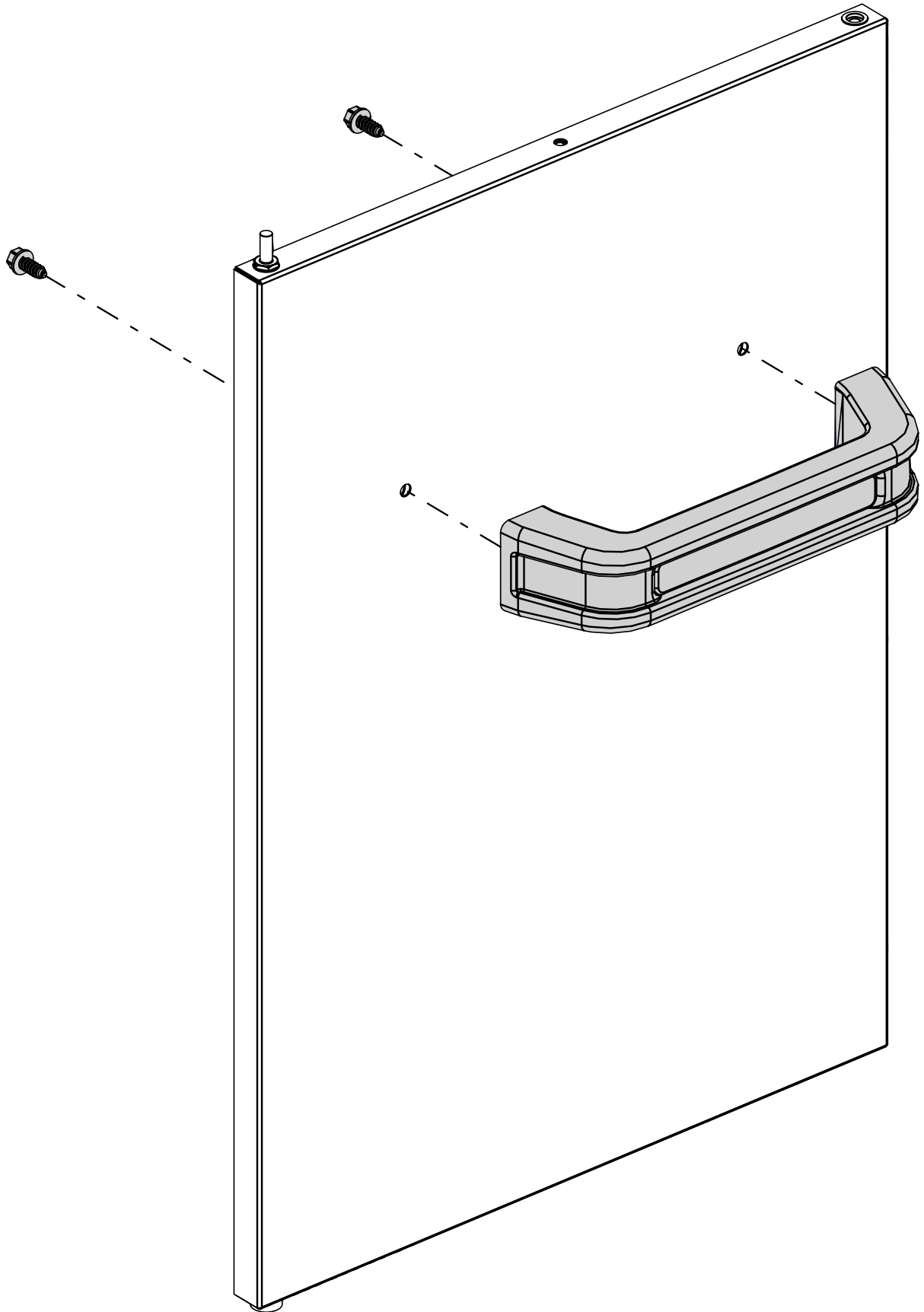
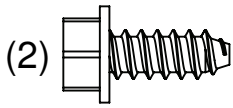
(4)



9

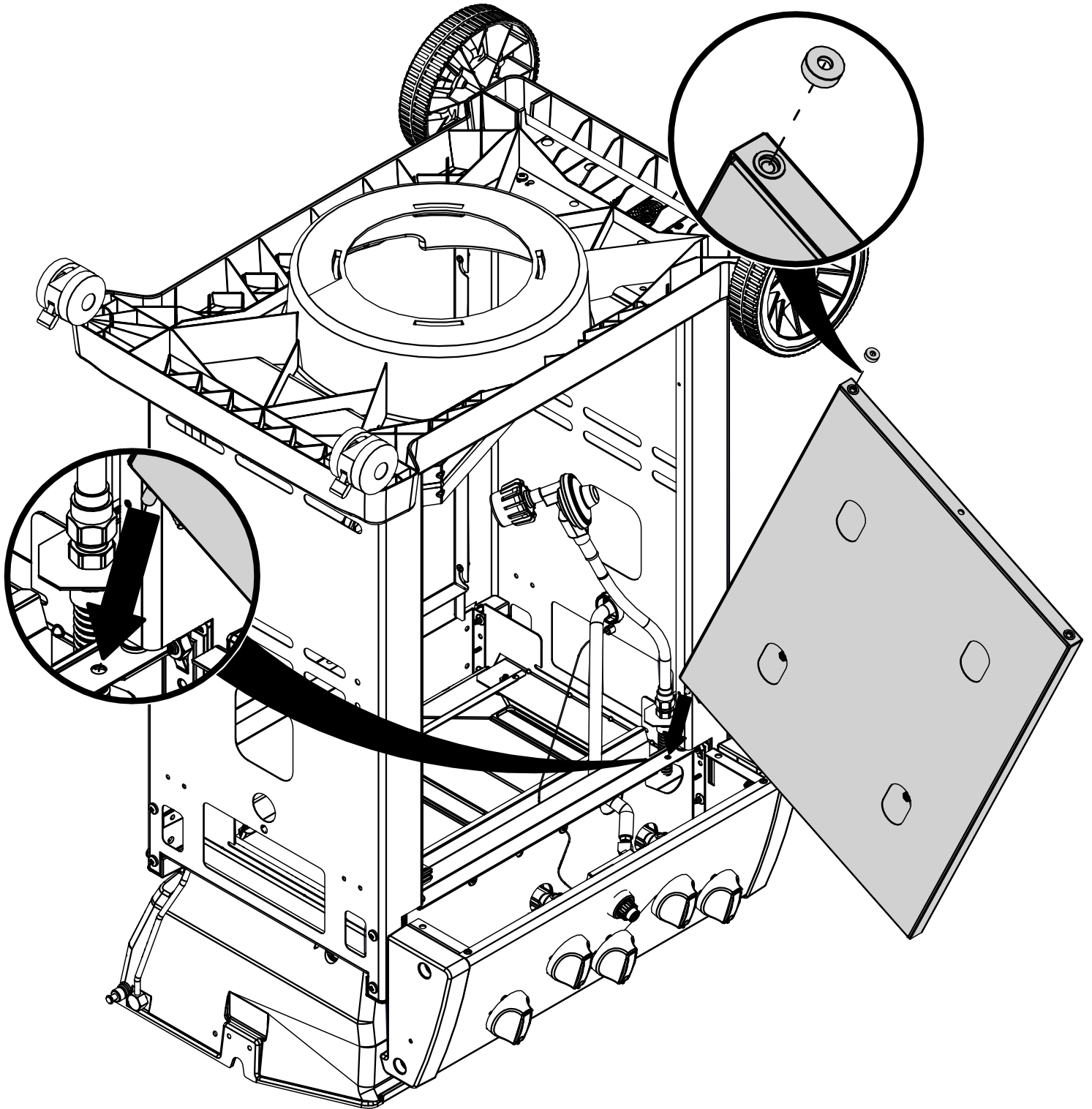
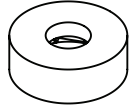


10



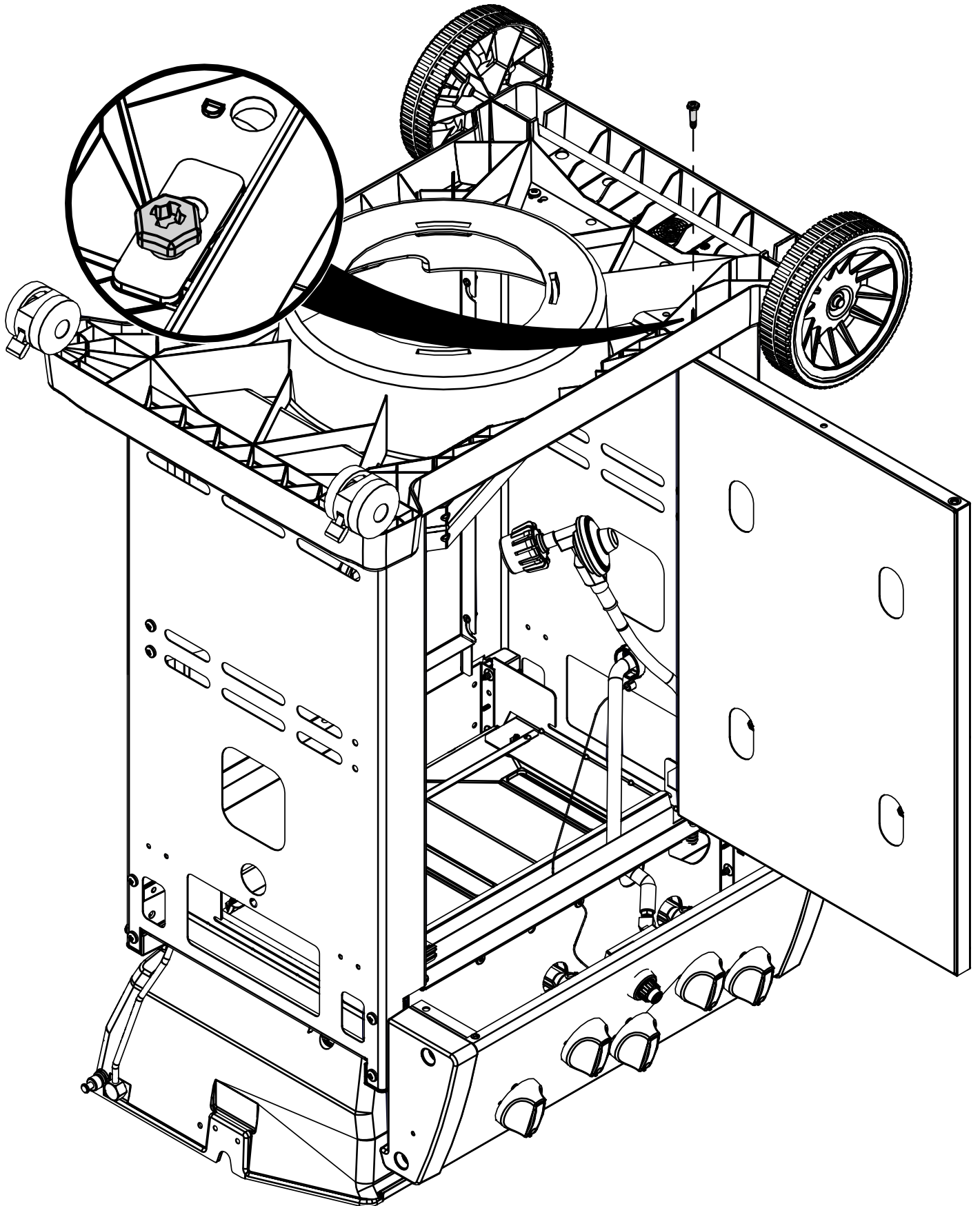
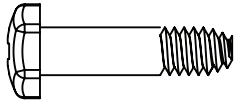
11

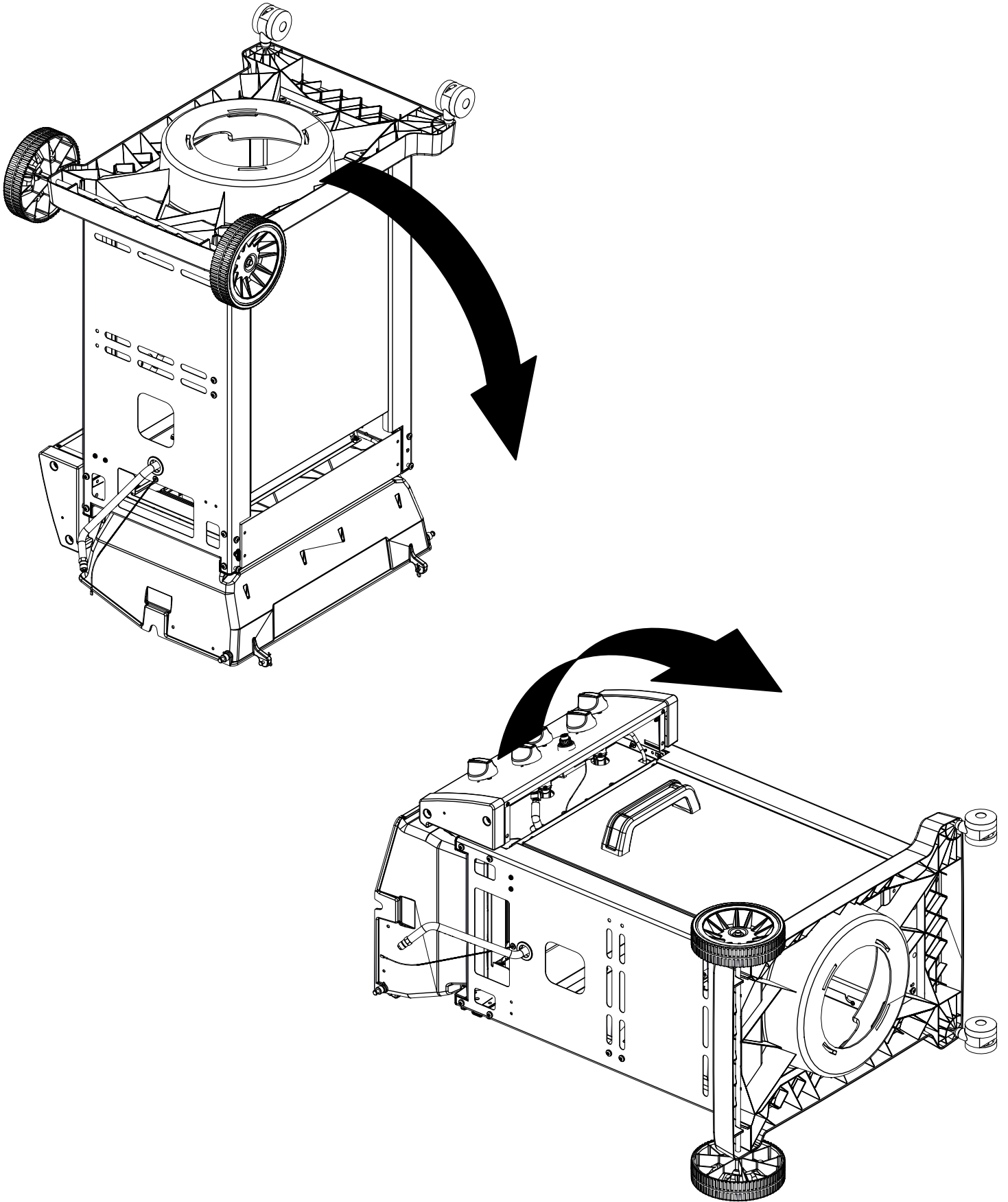
(1)



12

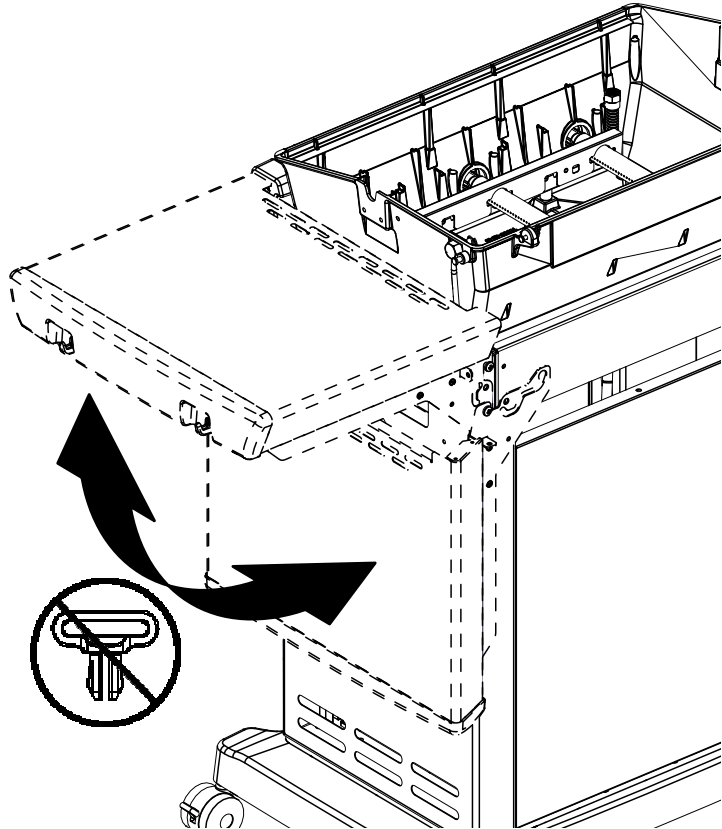
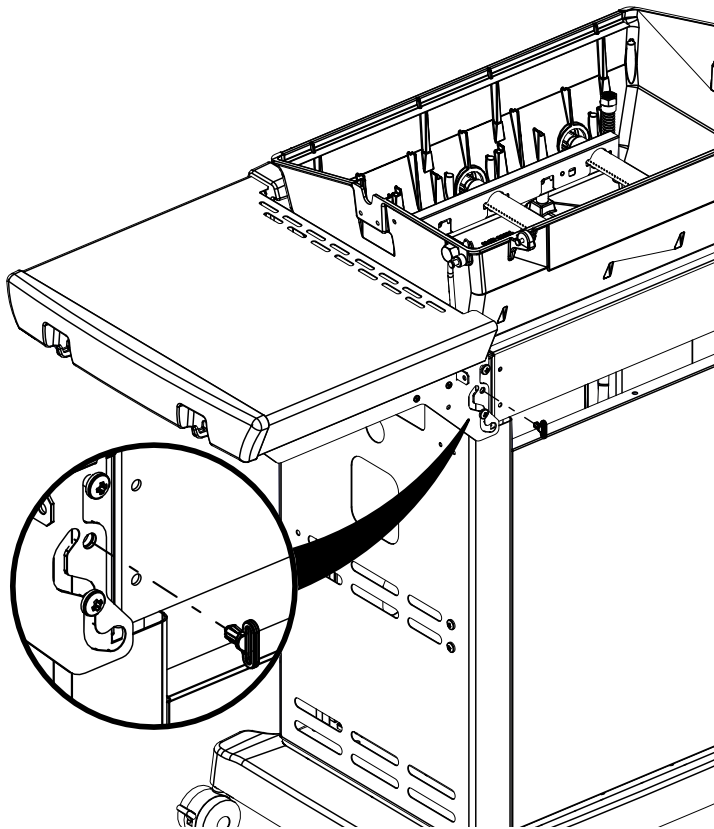
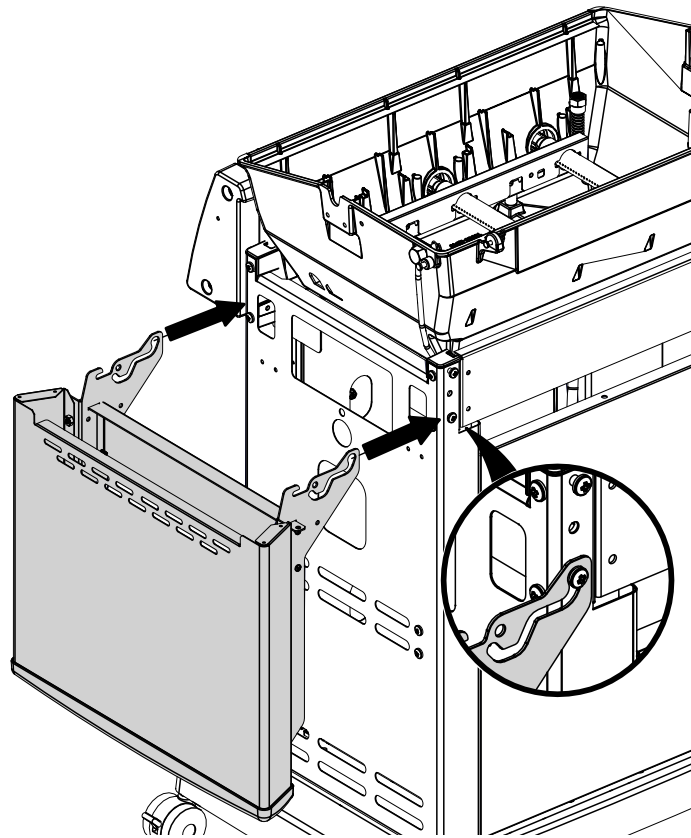
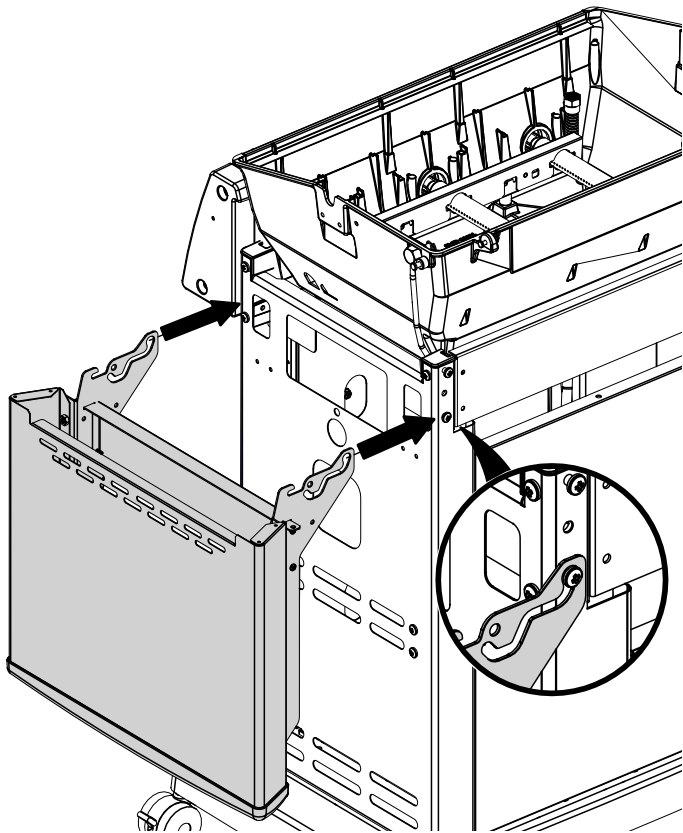
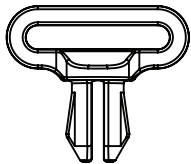
(1)





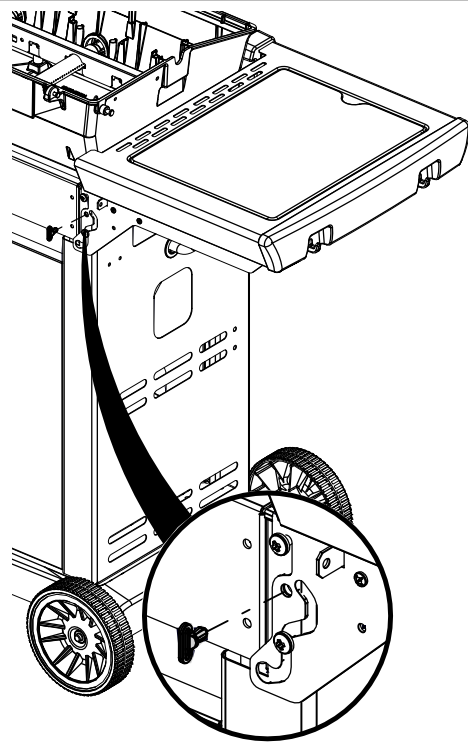
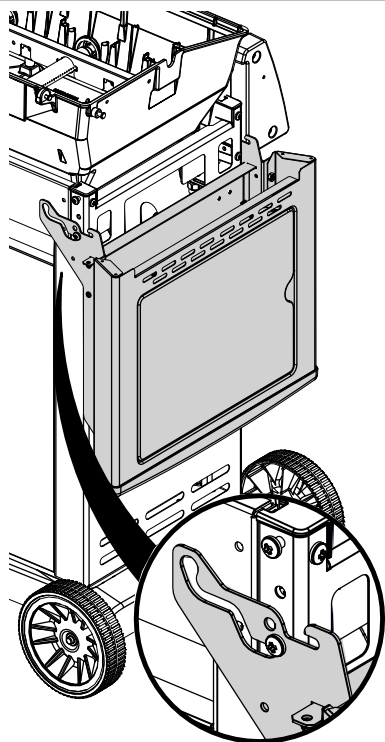
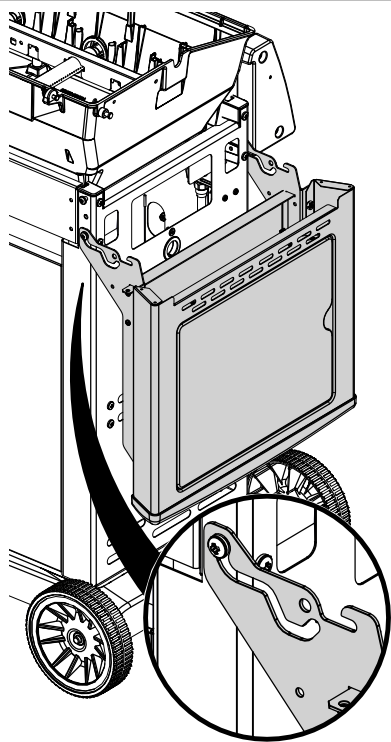
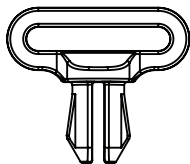
14

(1)



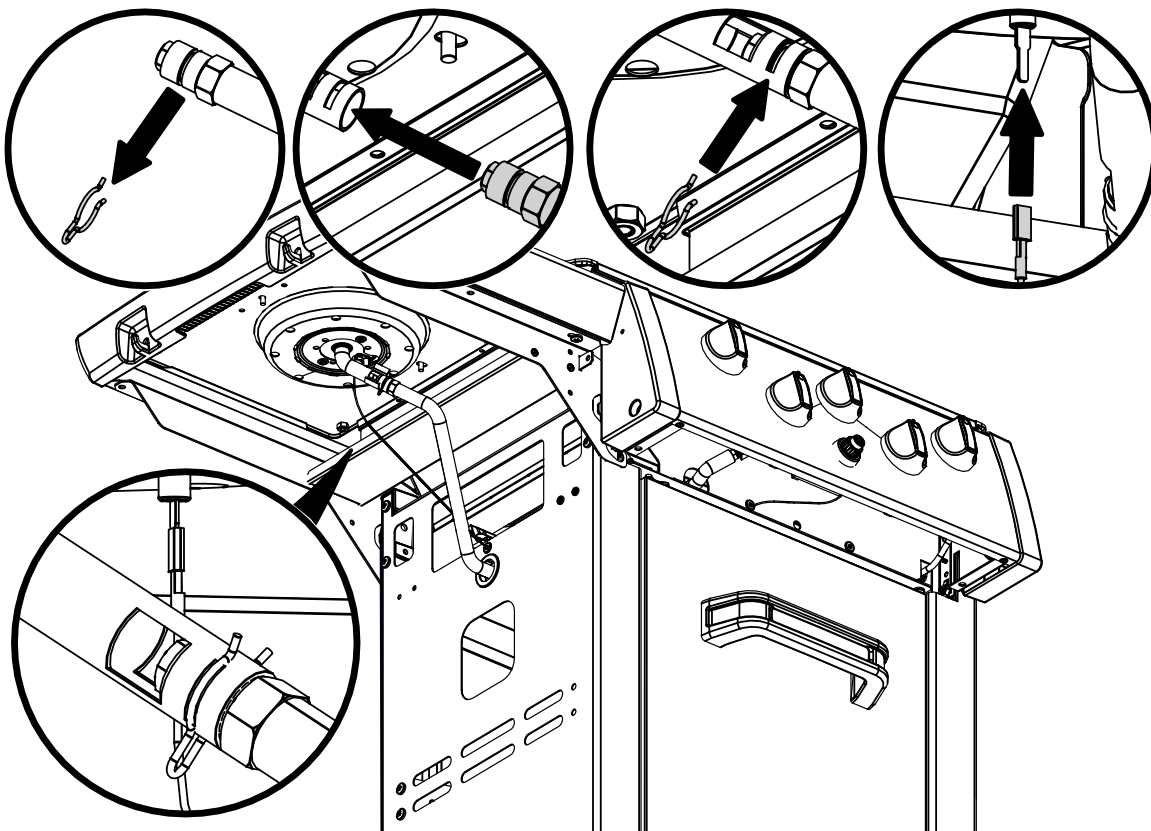
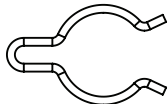
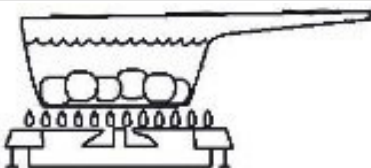
15

(1)

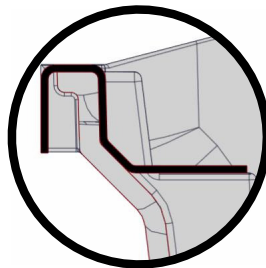
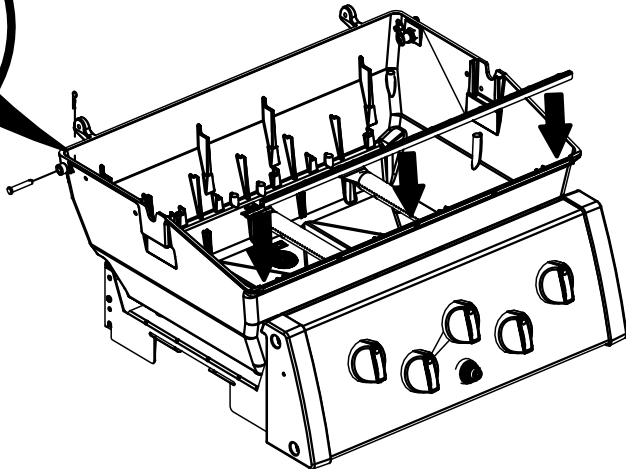
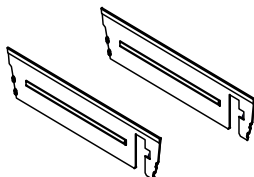
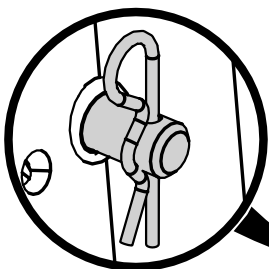
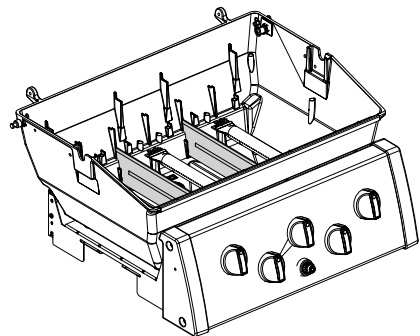
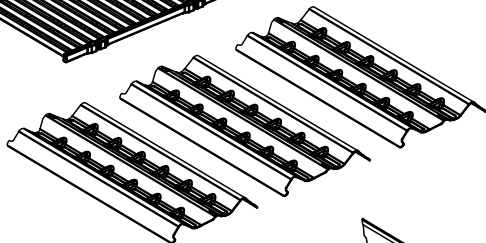
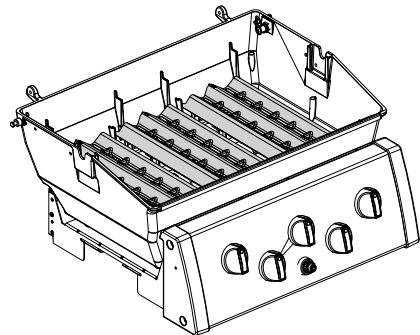
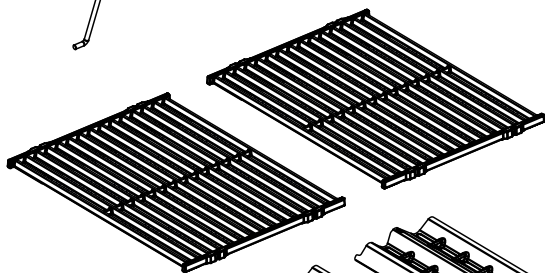
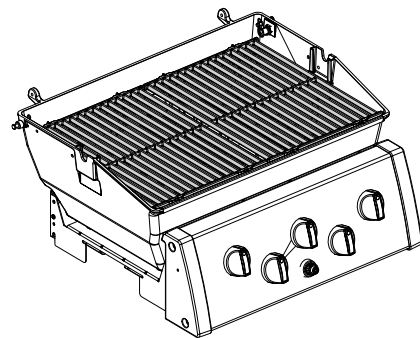
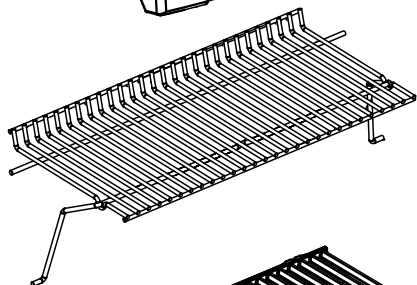
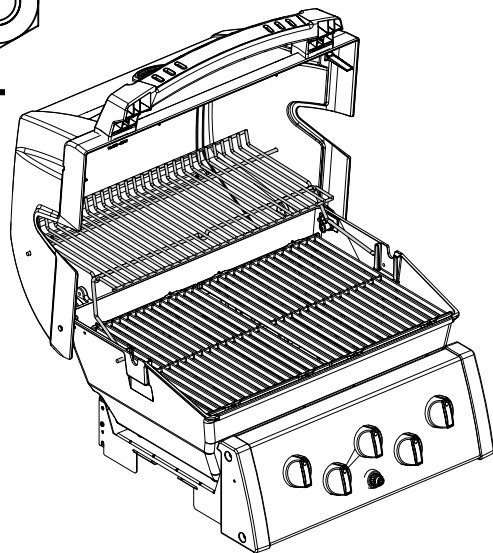
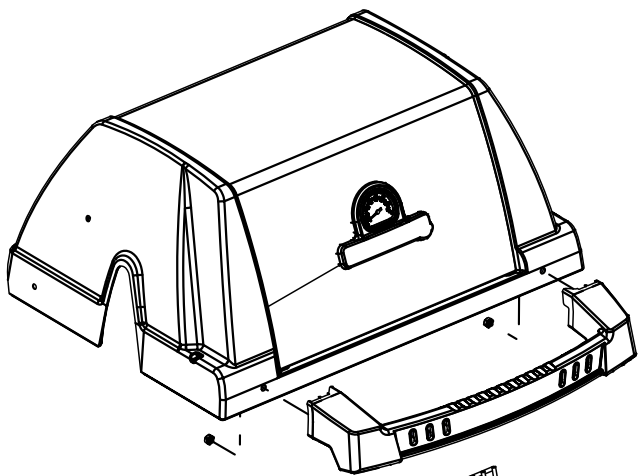
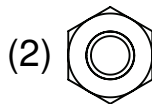
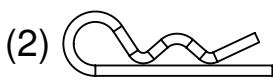
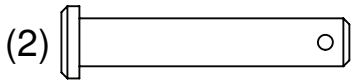


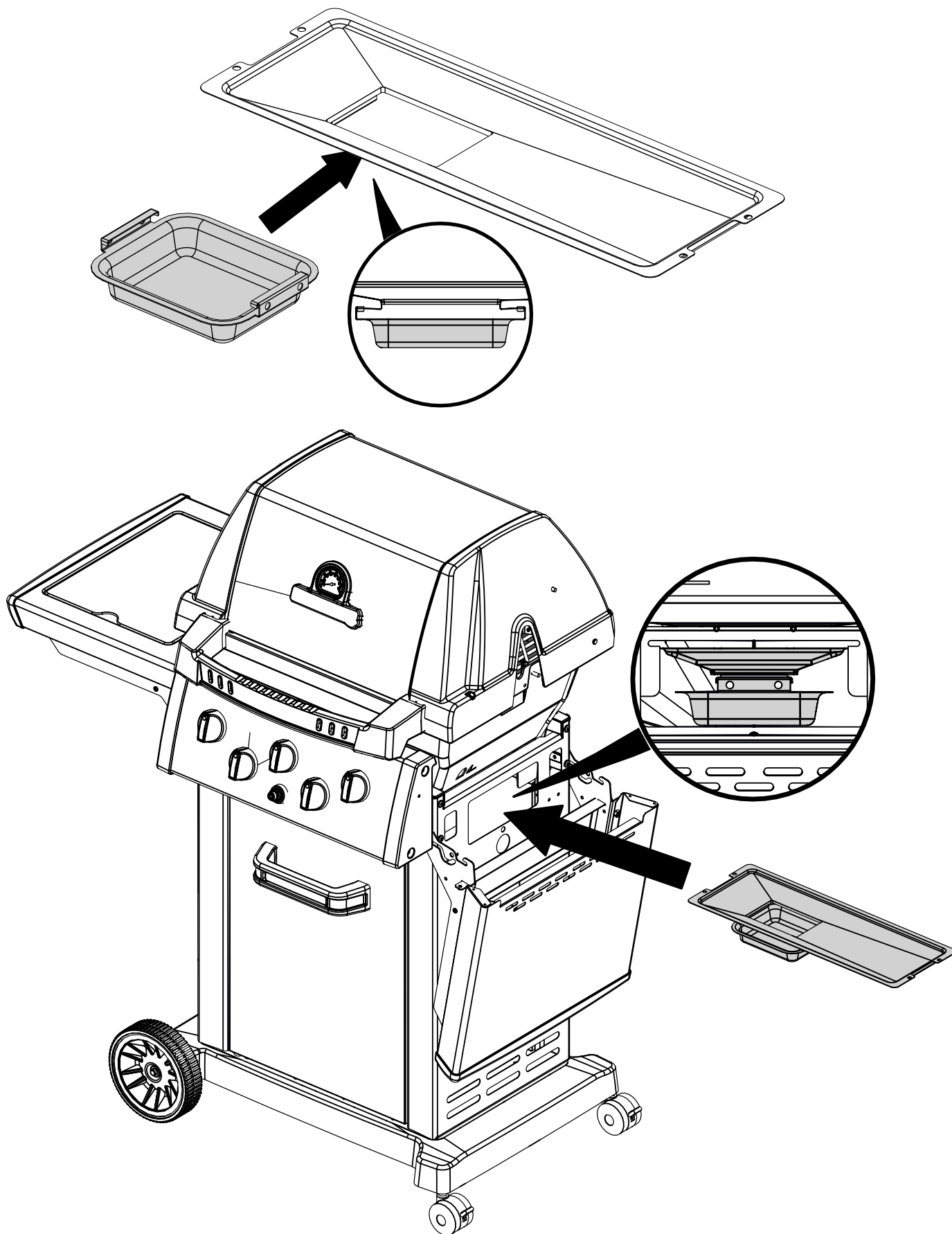
16

(1)

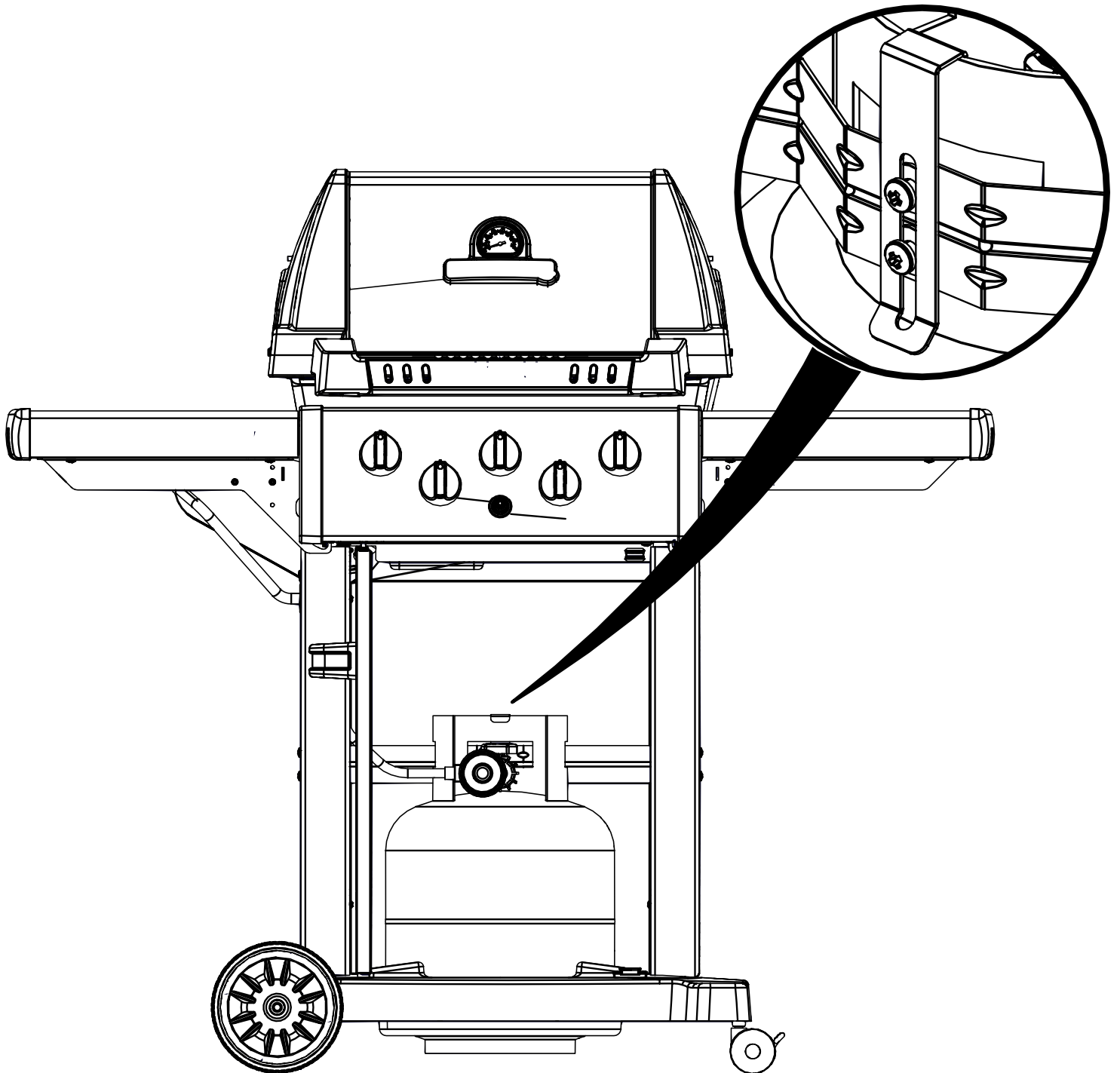
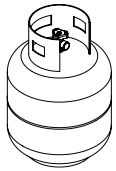


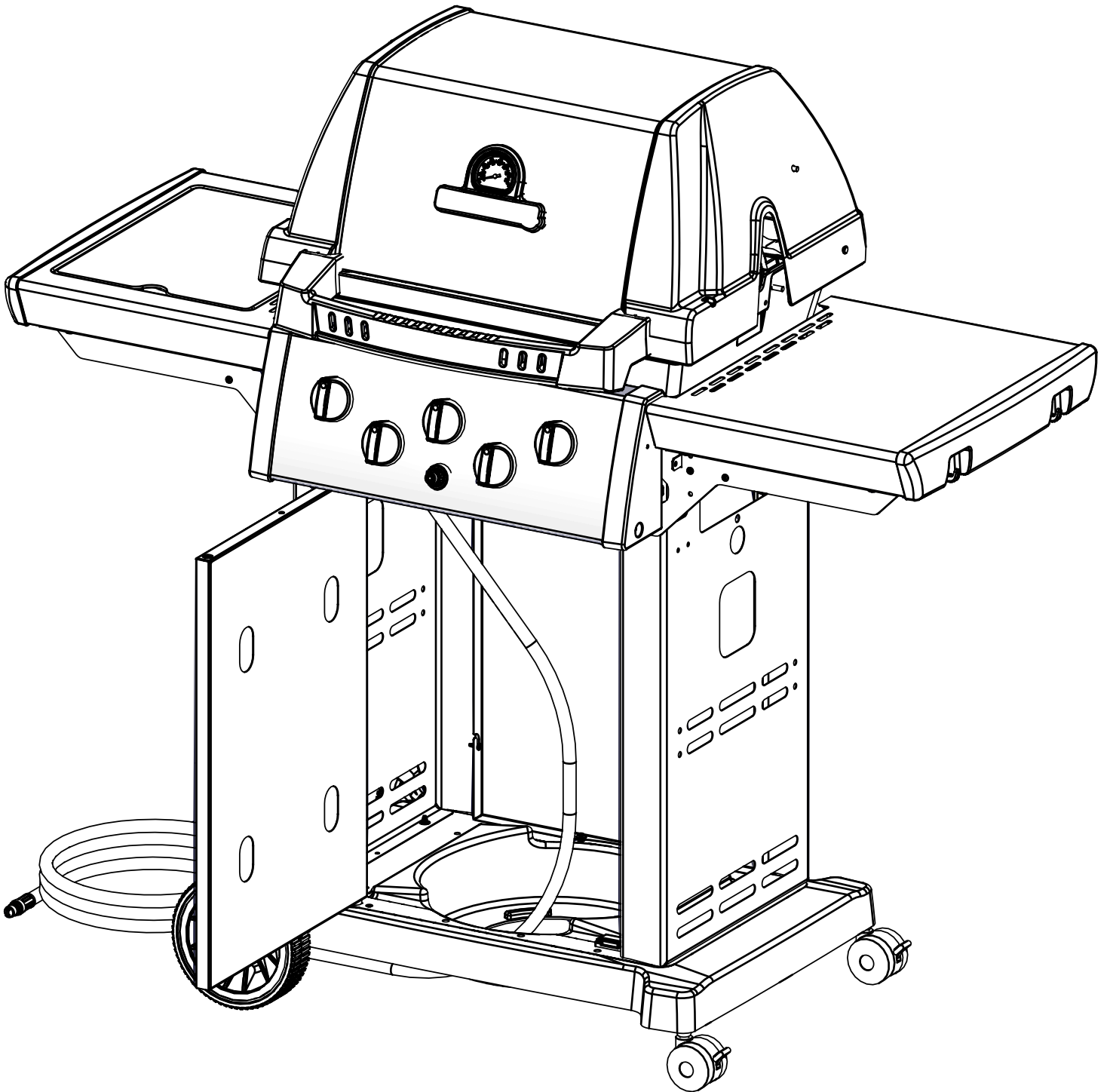
17



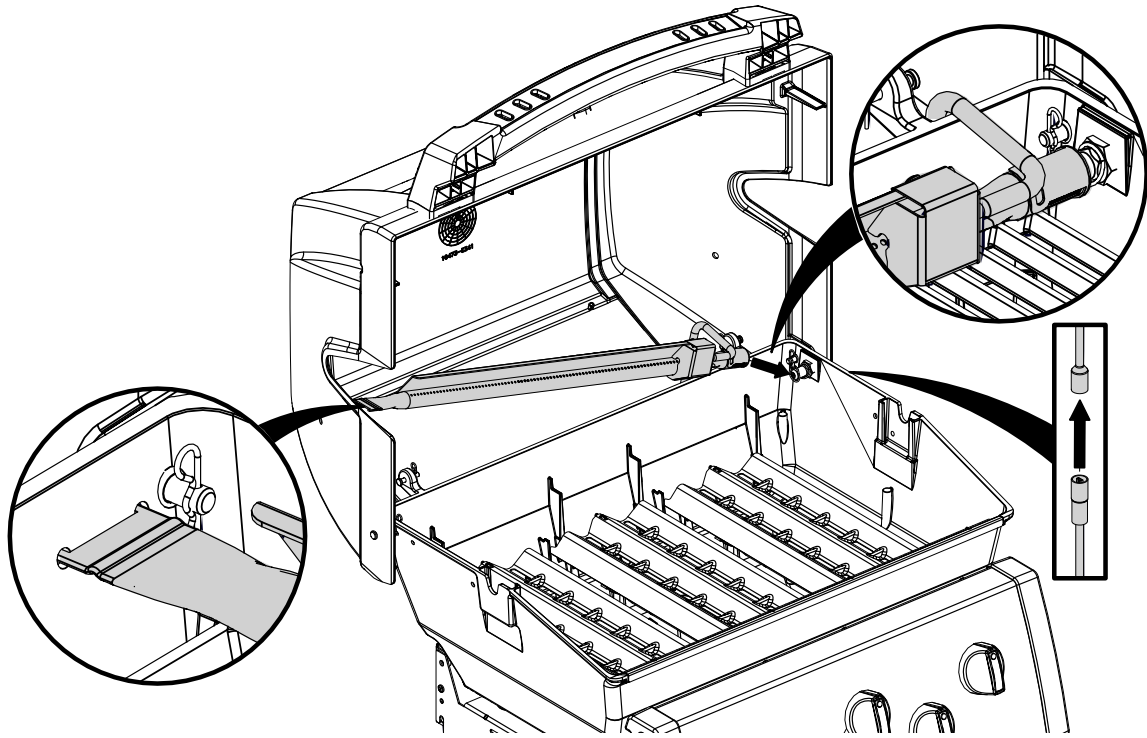


19

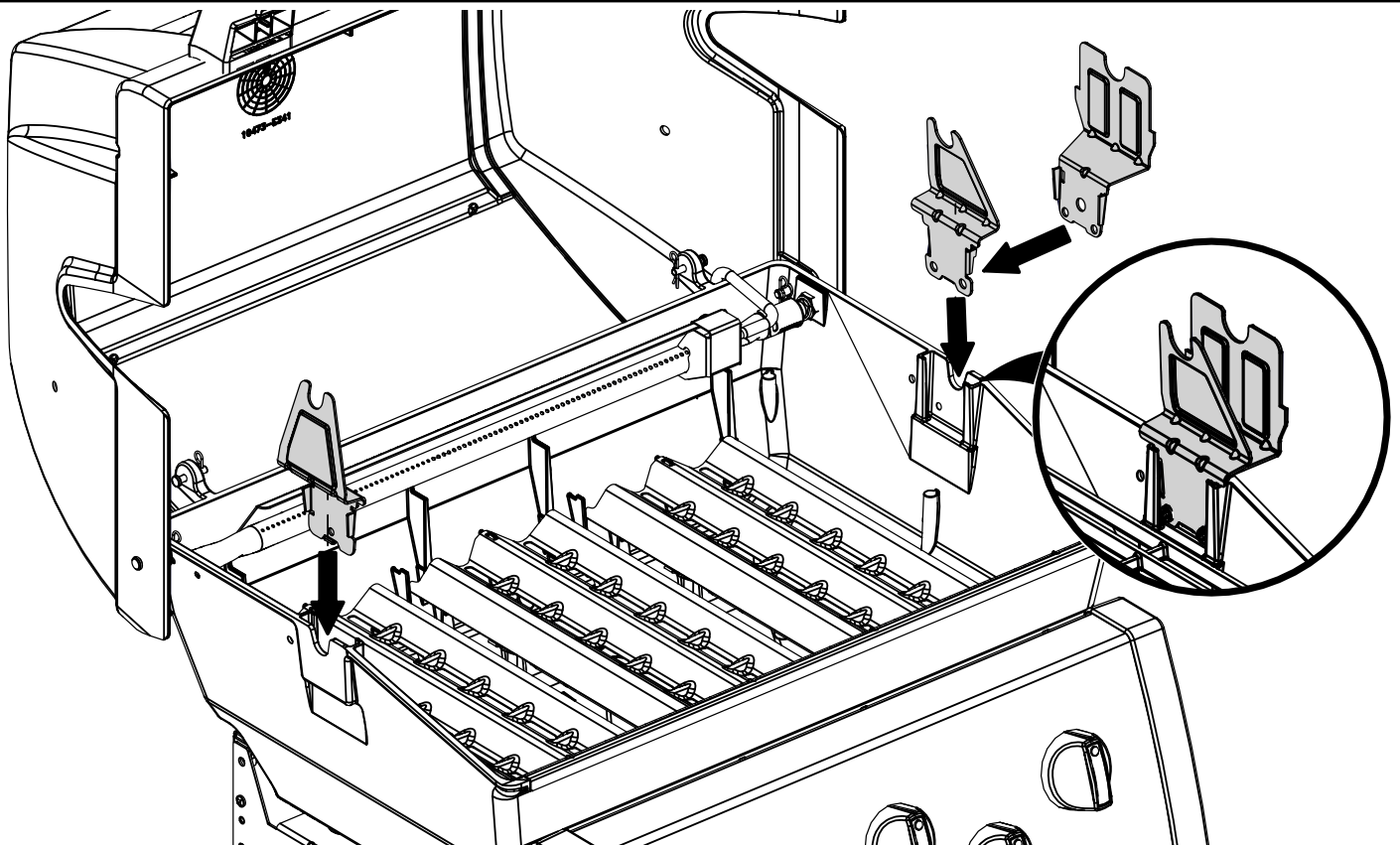




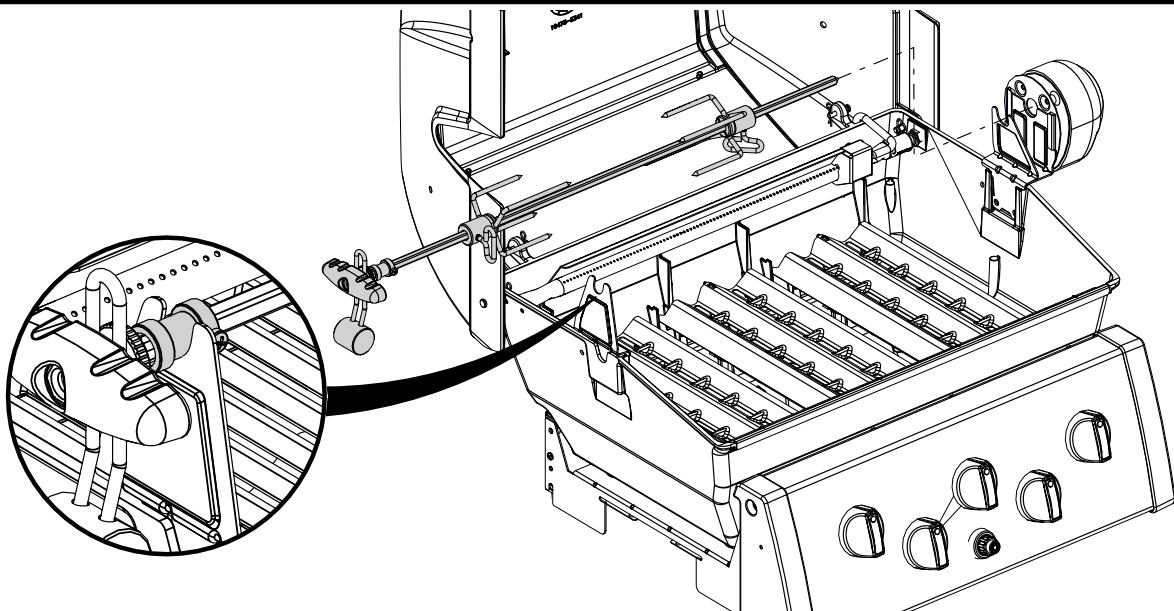
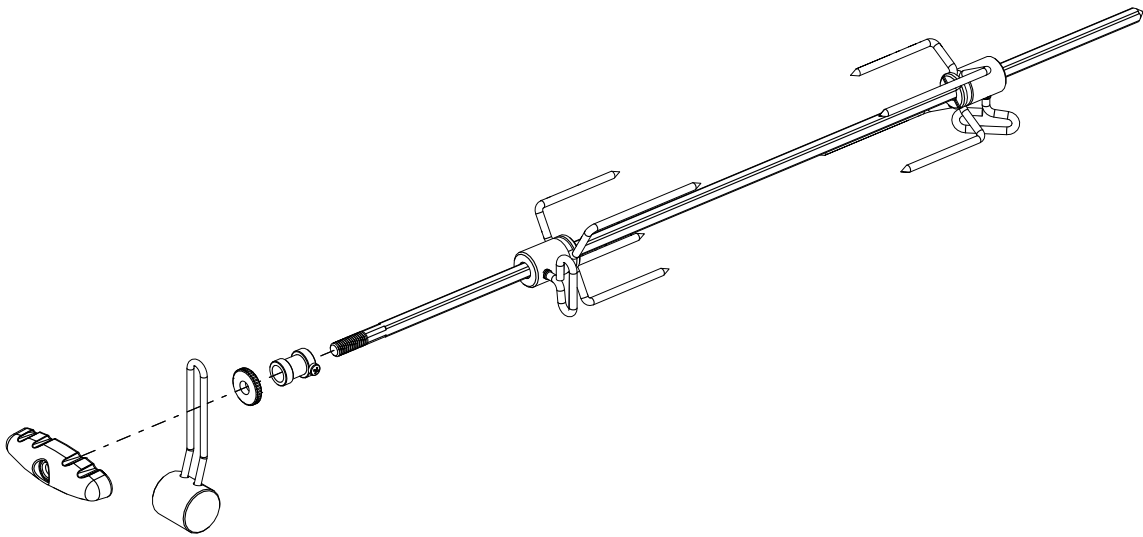
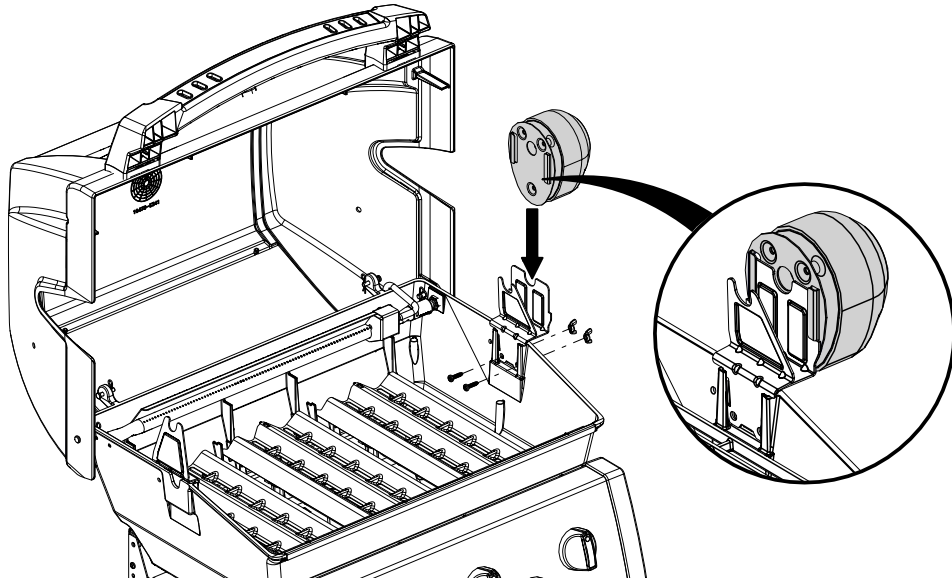
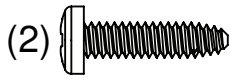
21



22



23



PARTS LIST / LISTE DES PIÉCES

| KEY # | ITEM # | DESCRIPTION | DESCRIPTION | DESCRIPTION | 8342-54 | 8342-64 | 8342-84 | 9312-54 | 9312-64 | 9312-84 |
|-------|-------------|-----------------------|-----------------------------|-----------------------------|---------|---------|---------|---------|---------|---------|
| | | | | | 8342-57 | 8342-87 | 8342-87 | 9312-57 | 9312-67 | 9312-87 |
| 1 | 10909-E340 | CASTING BOTTOM | FOND DU FOYER | CUERPO INFERIOR | 1 | 1 | 1 | 1 | 1 | 1 |
| 2 | 10473-E341 | CASTING TOP | COUVERCLE DU GRIL | CUERPO SUPERIOR | 1 | 1 | 1 | 1 | 1 | 1 |
| 3 | 10081-BK630 | NAMEPLATE | PLAQUE D'IDENTIFICATION | PLACA CON NOMBRE | 1 | 1 | 1 | 1 | 1 | 1 |
| 4 | 10958-E340 | TOP CASTING INSERT | PANNEAU DE COUVERCLE | INSERTO DE CUERPO SUPERIOR | 1 | 1 | 1 | 1 | 1 | 1 |
| 5 | 10571-6 | HEAT INDICATOR | INDICATEUR DE CHALEUR | INDICADOR DE TEMPERATURA | 1 | 1 | 1 | 1 | 1 | 1 |
| 6 | 10240-15 | HINGE PIN | GOUPILLE DE CHARNIÈRE | CLAVIJA DE BISAGRA | 2 | 2 | 2 | 2 | 2 | 2 |
| 6A | S21237 | HINGE SPACER | ENTRETOISE DE CHARNIÈRE | ESPACIADOR DE BISAGRA | 2 | 2 | 2 | 2 | 2 | 2 |
| 7 | S21233 | HITCH PIN CLIP | ATTACHE DE CHEVILLE | GANCHO PARA EL REMOLQUE | 2 | 2 | 2 | 2 | 2 | 2 |
| 8 | S21084 | SCREW - BURNER | VIS - BRÛLEUR | TORNILLO - QUEMADOR | 3 | 3 | 3 | 3 | 3 | 3 |
| 9 | 10225-T356 | GRID | GRILLE | REJILLA | 2 | 2 | 2 | 2 | 2 | 2 |
| 10 | 10222-E400 | FLAV-R-WAVE™ | FLAV-R-WAVE™ | FLAV-R-WAVE™ | 3 | 3 | 3 | 3 | 3 | 3 |
| 11 | 10225-E341 | GRID - WARMING RACK | GRILLE | REJILLA | 1 | 1 | 1 | 1 | 1 | 1 |
| 12 | 10222-E301 | DIVIDER | DIVISEUR | DIVISOR | 2 | 2 | 2 | 2 | 2 | 2 |
| 13 | 10184-R83 | BOSS EXTENSION | CROCHET DE RALLONGEMENT | EXTENSIÓN DE REFUERZO | 1 | 1 | 1 | 1 | 1 | 1 |
| 15 | 10390-E20LP | BURNER | BRÛLEUR | QUEMADOR | 1/• | 1/• | 1/• | 1/• | 1/• | 1/• |
| | 10390-E20NG | BURNER | BRÛLEUR | QUEMADOR | •/1 | •/1 | •/1 | •/1 | •/1 | •/1 |
| 17 | 10342-245 | ELECTRONIC IGNITOR | ALLUMEUR ÉLECTRONIQUE | ENCENDEDOR ELECTRÓNICO | 1 | • | • | 1 | • | • |
| | 10342-246 | ELECTRONIC IGNITOR | ALLUMEUR ÉLECTRONIQUE | ENCENDEDOR ELECTRÓNICO | • | 1 | • | • | 1 | • |
| | 10342-247 | ELECTRONIC IGNITOR | ALLUMEUR ÉLECTRONIQUE | ENCENDEDOR ELECTRÓNICO | • | • | 1 | • | • | 1 |
| 18 | 10342-E12 | ELECTRODE | ELECTRODE | ELECTRODO | 2 | 2 | 2 | 2 | 2 | 2 |
| 19 | 52224-224A | COLLECTOR BOX | BOÎTE DE COLLECTEUR | CAJA RECOLECTORA | 1 | 1 | 1 | 1 | 1 | 1 |
| 20 | 10111-16A | HOSE | TUYAU | MANGUERA | 1 | 1 | 1 | 1 | 1 | 1 |
| 21 | 29004-014 | CONTROL ASSEMBLY - LP | ASSEMBLÉE DE CONTROLE | MECANISMO DE CONTROL LP | 1/• | • | • | 1/• | • | • |
| | 29004-017 | CONTROL ASSEMBLY - NG | ASSEMBLÉE DE CONTROLE | MECANISMO DE CONTROL NG | •/1 | • | • | •/1 | • | • |
| | 29004-034 | CONTROL ASSEMBLY - LP | ASSEMBLÉE DE CONTROLE | MECANISMO DE CONTROL LP | • | 1/• | • | • | 1/• | • |
| | 29004-037 | CONTROL ASSEMBLY - NG | ASSEMBLÉE DE CONTROLE | MECANISMO DE CONTROL NG | • | •/1 | • | • | •/1 | • |
| | 29004-074 | CONTROL ASSEMBLY - LP | ASSEMBLÉE DE CONTROLE | MECANISMO DE CONTROL LP | • | • | 1/• | • | • | 1/• |
| | 29004-077 | CONTROL ASSEMBLY - NG | ASSEMBLÉE DE CONTROLE | MECANISMO DE CONTROL NG | • | • | •/1 | • | • | •/1 |
| 21A | S13470-091 | HOSE-SIDE BURNER LP | TUYAU DU BRULEUR LATERAL PL | MANGUERA - QUEMADOR LATERAL | • | 1/• | 1/• | • | 1/• | 1/• |
| | S13470-132 | HOSE-SIDE BURNER NG | TUYAU DU BRULEUR LATERAL GN | MANGUERA - QUEMADOR LATERAL | • | •/1 | •/1 | • | •/1 | •/1 |
| 21B | Y-11230 | COTTER PIN | ATTACHE DE CHEVILLE | CHAVETA | • | 1 | 1 | • | 1 | 1 |
| 21C | 10110-34 | TUBE-REAR BURNER ASSY | TUBE DE BRÛLEUR ARRIÈRE | TUBO, QUEMADOR POSTERIOR | • | • | 1 | • | • | 1 |
| 22 | 10114-16 | HOSE & REGULATOR LP | TUYAU ET REGULATEUR PL | MANGUERA Y REGULADOR LP | • | 1/• | 1/• | • | 1/• | 1/• |
| | 10111-K45 | HOSE NATURAL GAS | TUYAU (GAZ NATUREL) | MANGUERA DE GAS NATURAL | • | •/1 | •/1 | • | •/1 | •/1 |
| 23 | 10472-K431 | CONTROL KNOB | BOUTON DE CONTROLE | PERILLA DE CONTROL | 3 | 4 | 5 | 3 | 4 | 5 |
| 30 | 10194-F137 | CONTROL COVER | PANNEAU DE CONTROLE | CUBIERTA DE CONTROL | • | • | • | 1 | • | • |
| | 10194-F138 | CONTROL COVER | PANNEAU DE CONTROLE | CUBIERTA DE CONTROL | 1 | • | • | • | • | • |
| | 10194-F157 | CONTROL COVER | PANNEAU DE CONTROLE | CUBIERTA DE CONTROL | • | • | • | • | 1 | • |
| | 10194-F158 | CONTROL COVER | PANNEAU DE CONTROLE | CUBIERTA DE CONTROL | • | 1 | • | • | • | • |
| | 10194-F197 | CONTROL COVER | PANNEAU DE CONTROLE | CUBIERTA DE CONTROL | • | • | • | • | • | 1 |
| | 10194-F198 | CONTROL COVER | PANNEAU DE CONTROLE | CUBIERTA DE CONTROL | • | • | 1 | • | • | • |
| 31 | 10711-E34 | EDGE CAP | PAC DE BORD | TAPA DE EXTREMO | 1 | 1 | 1 | 1 | 1 | 1 |
| 32 | 10711-E33 | EDGE CAP | PAC DE BORD | TAPA DE EXTREMO | 1 | 1 | 1 | 1 | 1 | 1 |

PARTS LIST / LISTE DES PIÉCES

| KEY # | ITEM # | DESCRIPTION | DESCRIPTION | DESCRIPTION | 8342-54 | 8342-64 | 8342-84 | 9312-54 | 9312-64 | 9312-84 |
|-------|-------------|------------------------|-------------------------------|-------------------------------|---------|---------|---------|---------|---------|---------|
| | | | | | 8342-57 | 8342-87 | 8342-87 | 9312-57 | 9312-67 | 9312-87 |
| 33 | 10184-E96 | RADIATION SHIELD | ÉCRAN DE CHALEUR | CUBIERTA DE RADIACIÓN | 1 | 1 | 1 | 1 | 1 | 1 |
| 34 | 10184-E97 | GREASE RAIL | GUIDE DU BAC A GRAISSE | RIEL DE GRASA | 1 | 1 | 1 | 1 | 1 | 1 |
| 35 | 10184-E501 | SUPPORT-CASTING-LEFT | SUPPORT GAUCHE DU FOYER | SOPORTE - CUERPO - IZQUIERDO | 1 | 1 | 1 | 1 | 1 | 1 |
| 36 | 10184-E511 | SUPPORT-CASTING-RIGHT | SUPPORT DROIT DU FOYER | SOPORTE - CUERPO - DERECHO | 1 | 1 | 1 | 1 | 1 | 1 |
| 37 | 10184-E651 | SUPPORT-SIDE SHELF | SUPPORT TABLETTE | SOPORTE-ESTANTE LATERAL | 2 | 2 | 2 | 2 | 2 | 2 |
| 37A | 10184-E62 | SUPPORT-SIDE SHELF | SUPPORT TABLETTE | SOPORTE-ESTANTE LATERAL | 2 | 2 | 2 | 2 | 2 | 2 |
| 38 | 10184-E641 | SUPPORT-SIDE SHELF | SUPPORT TABLETTE | SOPORTE-ESTANTE LATERAL | 2 | 2 | 2 | 2 | 2 | 2 |
| 38A | 10184-E63 | SUPPORT-SIDE SHELF | SUPPORT TABLETTE | SOPORTE-ESTANTE LATERAL | 2 | 2 | 2 | 2 | 2 | 2 |
| 39 | 10956-E421 | BRACE-REAR | SUPPORT ARRIERE | ABRAZADERA-POSTERIOR | 1 | 1 | 1 | 1 | 1 | 1 |
| 40 | 10958-E71 | BASE | TABLETTE INFERIEURE | BASE | 1 | 1 | 1 | 1 | 1 | 1 |
| 41 | 10956-E311 | BRACE-FRONT | SUPPORT AVANT | ABRAZADERA-FRONTAL | 1 | 1 | 1 | 1 | 1 | 1 |
| 43 | 10958-E761 | SIDE PANEL | PANNEAU LATERALE | PANEL LATERAL | 2 | 2 | 2 | 2 | 2 | 2 |
| 44 | 10958-E361 | PANEL - REAR | PANNEAU - ARRIÈRE | PANEL - POSTERIOR | 1 | 1 | 1 | 1 | 1 | 1 |
| 45 | 10184-E981 | BRACKET - DOOR CATCH | CROCHET DE PORTE | SOPORTE - RETÉN DE PUERTA | 1 | 1 | 1 | 1 | 1 | 1 |
| 48 | 10184-E691 | BRACKET - SHELF | CROCHET - PLANCHETTE | SOPORTE PARA ESTANTE | 2 | 2 | 2 | 2 | 2 | 2 |
| 50 | 10711-E821 | SHELF | PLANCHETTE LATERALE | ESTANTE | 1 | 1 | 1 | • | | |
| | 10711-E822 | SHELF | PLANCHETTE LATERALE | ESTANTE | • | • | • | 1 | 1 | 1 |
| 51 | 10711-E831 | SHELF | PLANCHETTE LATERALE | ESTANTE | • | 1 | 1 | • | • | • |
| | 10711-E832 | SHELF | PLANCHETTE LATERALE | ESTANTE | • | • | • | • | 1 | 1 |
| | 10711-E821 | SHELF | PLANCHETTE LATERALE | ESTANTE | 1 | • | • | • | • | • |
| | 10711-E822 | SHELF | PLANCHETTE LATERALE | ESTANTE | • | • | • | 1 | • | • |
| 56 | 10892-7G | WHEEL | ROUE | RUEDA | 2 | 2 | 2 | 2 | 2 | 2 |
| 60 | 10711-E49 | END CAP - SHELF | MONTURE D'EMBOUT | TAPA DEL EXTREMO | 2 | 2 | 2 | 2 | 2 | 2 |
| 66 | S13006A | BURNER ROTISSERIE | BRÛLEUR DE TOURNEBROCHE | QUEMADOR PARA ROSTIZAR | • | • | 1 | • | • | 1 |
| 68 | S21362 | SPRING | RESSORT | RESORTE | • | • | 1 | • | • | 1 |
| 69 | 10958-E48A | DOOR | PORTE | PUERTA | • | • | • | 1 | 1 | 1 |
| | 10958-E48AB | DOOR | PORTE | PUERTA | 1 | 1 | 1 | • | • | • |
| 70 | 21475-138 | HANDLE | POIGNÉE | MANGO | 1 | 1 | 1 | 1 | 1 | 1 |
| 71 | 10696-102 | REAR BURNER-ORIFICE | ORIFICE DU BRÛLEUR ARRIÈRE | QUEMADOR POSTERIOR - ORIFICIO | • | • | 1 | • | • | 1 |
| | 10696-145 | REAR BURNER-ORIFICE | ORIFICE DU BRÛLEUR ARRIÈRE | QUEMADOR POSTERIOR - ORIFICIO | • | • | • | • | • | • |
| 72 | S21420 | PUSH NUT | POUSSE ECROU | TUERCA DE COMPRESIÓN | 2 | 2 | 2 | 2 | 2 | 2 |
| 73 | Y-11990 | HEX NUT | ÉCROU | TUERCA HEXAGONAL | • | • | 1 | • | • | 1 |
| 74 | S21084 | SCREW - #14 x 3/4 | VIS - #14 x 3/4 | TORNILLO - #14 X 3/4 | 2 | 2 | 2 | 2 | 2 | 2 |
| 75 | 10184-302A | HANDLE | POIGNÉE | MANGO | 1 | 1 | 1 | 1 | 1 | 1 |
| 76 | S21255 | WASHER | RONDELLE | ARANDELA | 4 | 4 | 4 | 4 | 4 | 4 |
| 78 | 10892-13 | CASTOR | ROULETTES | RUEDITA | 2 | 2 | 2 | 2 | 2 | 2 |
| 79 | Y-11561 | BOLT - 1/4:20 x 1 3/4 | BOULON - 1/4:20 X 1 3/4 | PERNO - 1/4:20 x 1 3/4 | 12 | 12 | 12 | 12 | 12 | 12 |
| 80 | Y-11546 | SCREW- 1/4-20 X 5/8 | VIS - 1/4-20 X 5/8 | TORNILLO - 1/4-20 X 5/8 | 10 | 10 | 10 | 10 | 10 | 10 |
| 81 | Y-12860 | SCREW - 1/4-20 X 1 3/8 | VIS - 1/4-20 X 1 3/8 | TORNILLO - 1/4-20 X 1 3/8 | 4 | 4 | 4 | 4 | 4 | 4 |
| 82 | Y-12673 | SHELF - LOCK PIN | ÉTAGÈRE - GOUPILLE DE SERRURE | ESTANTE - CLAVIJA DE TRABA | 2 | 2 | 2 | 2 | 2 | 2 |
| 83 | Y-12865 | BOLT- 1/4-20 X 1/2 | BOULON - 1/4-20 X 1/2 | PERNO - 1/4-20 X 1/2 | 12 | 12 | 12 | 12 | 12 | 12 |
| 84 | S15170 | AXLE | ESSIEU | EJE | 1 | 1 | 1 | 1 | 1 | 1 |
| 85 | Y-12855 | BOLT- 1/4-20 X 3/8 | BOULON - 1/4-20 X 3/8 | PERNO - 1/4-20 X 3/8 | 9 | 9 | 9 | 9 | 9 | 9 |

PARTS LIST / LISTE DES PIÉCES

| KEY # | ITEM # | DESCRIPTION | DESCRIPTION | DESCRIPTION | 8342-54 | 8342-64 | 8342-84 | 9312-54 | 9312-64 | 9312-84 |
|-------|--------------|--------------------------|-----------------------------|------------------------------|---------|---------|---------|---------|---------|---------|
| | | | | | 8342-57 | 8342-87 | 8342-87 | 9312-57 | 9312-67 | 9312-87 |
| 87 | Y-11793 | NUT- 1/4-20 | ECROU – 1/4-20 | TUERCA - 1/4-20 | 18 | 18 | 18 | 18 | 18 | 18 |
| 96 | S21125 | SCREW – 8 X 3/8 | VIS - 8 X 3/8 | TORNILLO – 8 X 3/8 | 4 | 4 | 4 | 4 | 4 | 4 |
| 98 | S21124 | SCREW – 8 X 1/2 | VIS - 8 X 1/2 | TORNILLO – 8 X 1/2 | 39 | 39 | 39 | 39 | 39 | 39 |
| 99 | Y-12646 | SCREW – 8 X 1/2 | VIS - 8 X 1/2 | TORNILLO – 8 X 1/2 | • | 2 | 2 | • | 2 | 2 |
| 104 | Y-12835 | SCREW – 6-32 X 1/4 | VIS – 6-32 X 1/4 | TORNILLO #6-32 X 1/4 | • | 2 | 2 | • | 2 | 2 |
| 105 | Y-12853 | WASHER | RONDELLE | ARANDELA | • | 2 | 2 | • | 2 | 2 |
| 106 | Y-12861 | CAP SCREW - 1/4-20 X 3/8 | VIS - 1/4-20 X 3/8 | TORNILLO – 1/4-20 X 3/8 | • | 2 | 2 | • | 2 | 2 |
| 107 | Y-12863 | WASHER | RONDELLE | ARANDELA | • | 4 | 4 | • | 4 | 4 |
| 110 | 53140-981 | GRID | GRILLE | REJILLA | • | 1 | 1 | • | 1 | 1 |
| 111 | 10390-E10 | SIDE BURNER | BRULEUR DE COTE | QUEMADOR LATERAL | • | 1 | 1 | • | 1 | 1 |
| 113 | 10342-T16 | ELECTRODE – SIDE BURNER | ELECTRODE – BRULEUR DE COTE | ELECTRODO - QUEMADOR LATERAL | • | 1 | 1 | • | 1 | 1 |
| 114 | 23000-251 | COVER-SIDE BURNER | COUVERCLE LATÉRAL | CUBIERTA - QUEMADOR LATERAL | • | 1 | 1 | • | • | • |
| | 23000-255 | COVER-SIDE BURNER | COUVERCLE LATÉRAL | CUBIERTA - QUEMADOR LATERAL | • | • | • | • | 1 | 1 |
| 115 | Y-29304 | SCREW #10-24 X 3/8 | VIS #10-24 X 3/8 | TORNILLO #10-24 X 3/8 | 2 | 2 | 2 | 2 | 2 | 2 |
| 117 | 23000-271 | SHELF-SIDE BURNER | SUPPORT DE BRULEUR DE COTE | ESTANTE - QUEMADOR LATERAL | • | 1 | 1 | • | 1 | 1 |
| 122 | 57054-902 | GREASE TRAY | PLATEAU A GRAISSE | BANDEJA RECOLECTORA DE GRASA | 1 | 1 | 1 | 1 | 1 | 1 |
| 123 | 52009-902 | GREASE PAN | CUVETTE A GRAISSE | BANDEJA PARA LA GRASA | 1 | 1 | 1 | 1 | 1 | 1 |
| 135 | Y-12119 | BUSHING | DOUILLE | COJINETE | 3 | 3 | 3 | 3 | 3 | 3 |
| 136 | 10184-E44 | ROTISSERIE SHIELD | BOUCLIER DE ROTISSERIE | CUBIERTA DEL ROSTIZADOR | 1 | 1 | 1 | 1 | 1 | 1 |
| 137 | 10184-E42 | ROTISSERIE BRACKET | CROCHET DE ROTISSERIE | SOPORTE DEL ROSTIZADOR | 1 | 1 | 1 | 1 | 1 | 1 |
| 138 | 10184-E43 | ROTISSERIE SHIELD | BOUCLIER DE ROTISSERIE | CUBIERTA DEL ROSTIZADOR | 1 | 1 | 1 | 1 | 1 | 1 |
| 139 | S21061 | WING NUT | ECROU PAPILLON | TUERCA MARIPOSA | 2 | 2 | 2 | 2 | 2 | 2 |
| 140 | Y-29306 | SCREW - 10-24 x 3/4 | VIS - 10-24 x 3/4 | TORNILLO - 10-24 x 3/4 | 2 | 2 | 2 | 2 | 2 | 2 |
| 141 | S15271 | HANDLE | POIGNEE | MANGO | • | • | 1 | • | • | 1 |
| 142 | S15270 | BALANCER | CONTREPOIS | BALANCEADOR | • | • | 1 | • | • | 1 |
| 143 | S15263 | BUSHING | DOUILLE | COJINETE | • | • | 1 | • | • | 1 |
| 144 | Y-12220 | BUSHING | DOUILLE | COJINETE | • | 1 | 1 | • | 1 | 1 |
| 145 | S15264 | SPIT ROD | BROCHETTE | BARRA ROSTIZADORA | • | • | 1 | • | • | 1 |
| 146 | S15236 | MOTOR | MOTEUR | MOTOR | • | • | 1 | • | • | 1 |
| 147 | S15299 | WASHER | RONDELLE | ARANDELA | • | • | 1 | • | • | 1 |
| 148 | S15287 | 4 PRONG FORKS | FOURCHETTE A 4 FOURCHON | HORQUILLAS DE 4 PUNTAS | • | • | 1 | • | • | 1 |
| 149 | 10240-20 | DOOR PIN | GOUPILE DE LA PORTE | CLAVIJA DE LA PUERTA | 1 | 1 | 1 | 1 | 1 | 1 |
| 150 | 10184-E211 | TANK CLAMP | PINCE-CITERNES | PINZA PARA TANQUE | 1 | 1 | 1 | 1 | 1 | 1 |
| 151 | 10184-E151 | TANK STRAP | SANGLE RÉSERVOIR | CORREA PARA TANQUE | 1 | 1 | 1 | 1 | 1 | 1 |
| 152 | Y-12222 | MAGNET | AIMANT | IMÁN | 1 | 1 | 1 | 1 | 1 | 1 |
| 153 | Y-12223 | SNAP IN MAGNET | AIMANT | IMÁN DE AJUSTE | 1 | 1 | 1 | 1 | 1 | 1 |
| 154 | Y-11795 | LOCK NUT | CROU DE BLOCAGE | TUERCA DE SEGURIDAD | 2 | 2 | 2 | 2 | 2 | 2 |
| 155 | 10070-E340MS | MATCH LIGHT - STICK | ALLUMETTES | CERILLA - VARILLA | 1 | 1 | 1 | 1 | 1 | 1 |
| 164 | Y-12124 | DOOR PIN CAP | PORTE PIN PAC | TAPA DE CLAVIJA DE LA PUERTA | 1 | 1 | 1 | 1 | 1 | 1 |
| 165 | Y-11551 | SCREW- 1/4-20 X 1 | VIS- 1/4-20 X 1 | TORNILLO- 1/4-20 X 1 | 1 | 1 | 1 | 1 | 1 | 1 |
| 166 | Y-12117 | BUSHING | DOUILLE | COJINETE | • | 2 | 2 | • | 2 | 2 |

