

This Owner's Manual is provided and hosted by [Appliance Factory Parts](#).



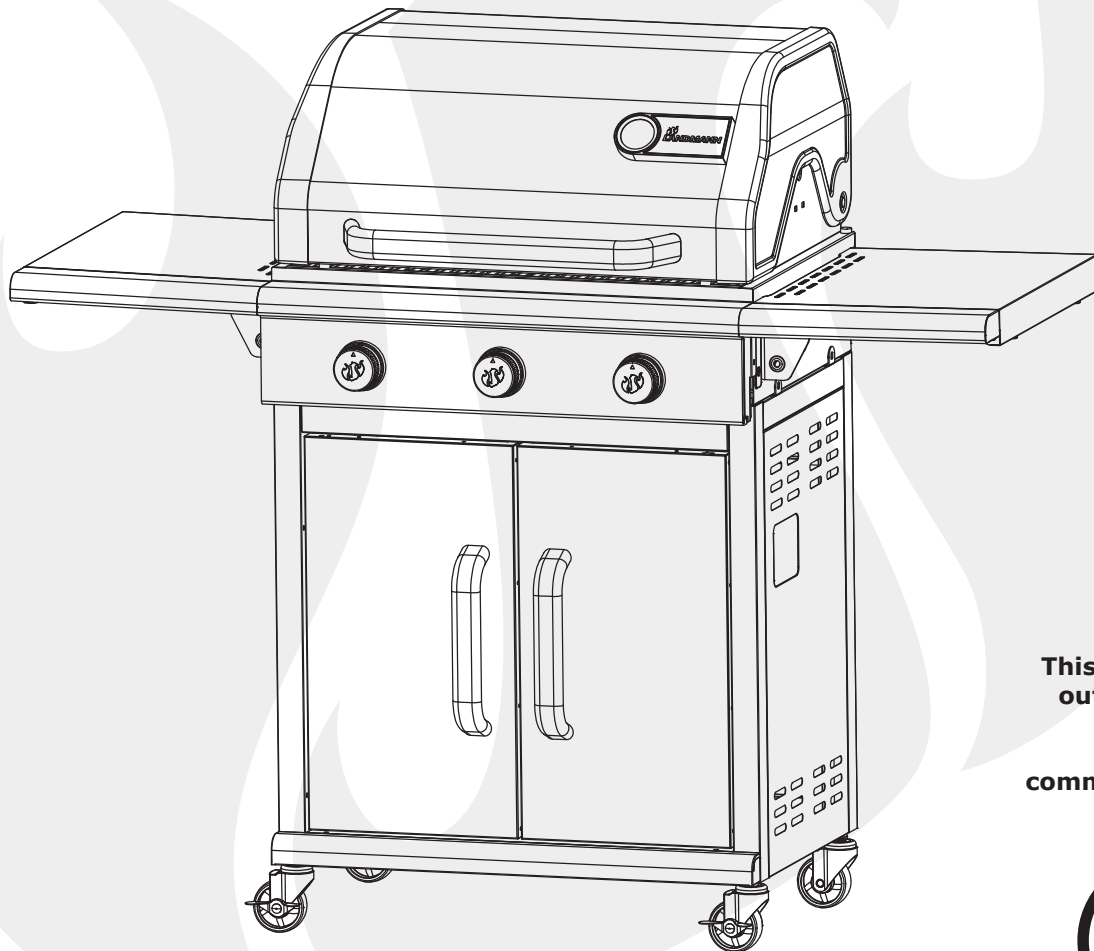
Landmann 42259 Owner's Manual

[Shop genuine replacement parts for Landmann 42259](#)



[Find Your Landmann Grill Parts - Select From 200 Models](#)

----- Manual continues below -----



**This appliance is for
outdoor use only.**

**This is not a
commercial appliance.**

**ASSEMBLY, CARE AND USE INSTRUCTIONS
READ CAREFULLY**

**IMPORTANT:
RETAIN THESE INSTRUCTIONS FOR FUTURE REFERENCE**



Intertek
5005342

3 Burner LP Barbecue Grill

MODEL 42259

Questions, problems, missing parts? Before returning to your retailer, call our customer service department at: 1-800-321-3473 8:00 AM - 5:00 PM (EST) English Only, or Email CustomerService@landmann-usa.com

Table of Contents

Important Safety Information	3-4	Connecting Gas Cylinder	18
Liquid Propane (LP) Safety Information.....	5	Lighting Instructions	19
Package Contents	6-7	Care and Maintenance	20-21
Preparation.....	8	Cooking Methods and Grilling Tips	22
Hardware Contents	8	Troubleshooting	23
Tools Required.....	8	Grilling Guidelines	24-25
Assembly Instructions	8-17	Replacement Parts	26-27
		Warranty	28

Assembler/Installer

This instruction manual contains important information necessary for the proper assembly and safe use of this appliance. Read and follow all warnings and instructions before assembling and using this appliance.

Leave these instructions with the consumer.

Consumer/User

Follow all warnings and instructions when using this appliance.

Keep these instructions for future reference.



DANGER

If you smell gas:

- 1. Shut off gas to the appliance.**
- 2. Extinguish any open flame.**
- 3. Open lid.**
- 4. If odor continues, keep away from the appliance and immediately call your gas supplier or your fire department.**
- 5. Failure to follow these instructions could result in explosion, or burn hazard which could cause property damage, personal injury or death.**



WARNING

- 1. DO NOT** store or use gasoline or other flammable liquids or vapors in the vicinity of this or any other appliance.
- An LP (liquid propane) cylinder not connected for use should not be stored in the vicinity of this or any other appliance.
- This grill is **FOR OUTDOOR USE** only and shall not be used in a building, garage, under overhangs or any other enclosed area.
- DO NOT** leave a lit grill unattended. Keep children and pets away from the grill at all times.
- This appliance is for Household use only. This is not a commercial appliance.**

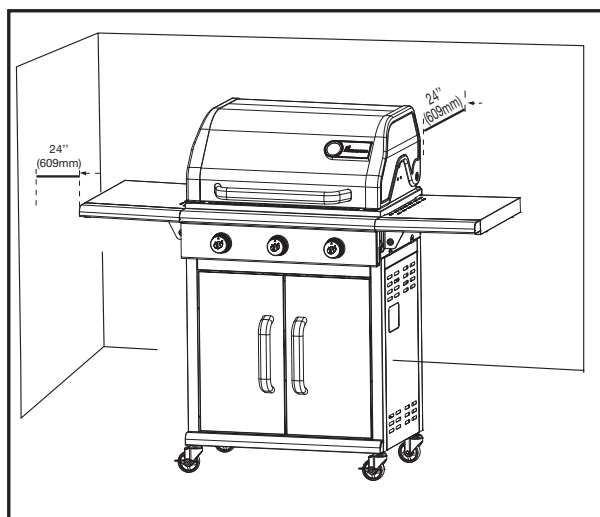


Important Safety Information



Warnings and Cautions contained in this instruction manual may result in serious bodily injury or death, or may result in a fire or explosion causing damage to property.

- Make sure to follow all assembly instructions carefully. Improper assembly of this grill may be dangerous.
- **NEVER** use charcoal, lighter fluid, gasoline, kerosene or alcohol to ignite this grill.
- **NEVER** place more than 10 pounds on a side table. **DO NOT** lean on grill.
- **NEVER** use charcoal briquettes or lighter fluid in a gas grill. **DO NOT** move grill while it is lit.
- When igniting the grill or cooking, **DO NOT** lean over the open grill.
- Always open the grill lid slowly and carefully as heat trapped inside the grill can cause severe burns.
- **DO NOT** place hands or fingers at edge of the firebox and the lid when the lid is open or the grill is hot.
- Keep children and pets away from the grill when in use. Accessible parts may be very hot.
- **DO NOT** attempt to disconnect the gas regulator and hose assembly or any gas fitting while your grill is operating.
- This grill **SHOULD NOT** be located under any overhead unprotected combustible construction. Always allow at least 24" from the top, bottom, back and 24" from the sides of the grill (see below).



- This grill is an outside appliance and **SHOULD NOT** be operated in a building, garage, or any other enclosed area.
- **DO NOT** obstruct the flow of combustion and

ventilation air. Keep the ventilation openings of the cylinder enclosure free and clear of debris.

- Should the burners go out while the grill is in operation, turn all gas valves off. Open the lid and wait five minutes before attempting to relight the grill, using the igniting instructions.
- Keep this grill clear and free from combustible material, gasoline and other flammable vapors and liquids.
- **NEVER** store an extra or disconnected liquid propane cylinder under or near this grill.
- Always use heat-resistant barbecue mitts or gloves when operating the grill.
- **DO NOT** leave a hot grill unattended or move it during operation.
- This grill is not intended to be used in or installed on recreational vehicles, boats, portable trailers, or in any moving location.
- **DO NOT** put a grill cover or anything flammable on the grill while the grill is in operation or is hot.
- Storage of an outdoor cooking gas appliance indoors is permissible only if the cylinder is disconnected and removed from the outdoor cooking gas appliance.
- When the grill is not in use, make sure the gas is turned **OFF** at the supply cylinder.
- Cylinders must be stored outdoors and out of the reach of children. Cylinder must not be stored in a building, garage or other enclosed areas.
- Always inspect the gas supply hose before every use. If the hose shows any signs of abrasions or cuts, **DO NOT** use the grill. The hose must be replaced before using again.
- Always check the burners and venturi tubes for insects and insect nests. A clogged tube can lead to a fire beneath the grill.
- Always check the connections for leaks each time you connect and disconnect the LP gas supply cylinder.



The pressure regulator and hose assembly supplied with this grill must be used. Any requirements for a replacement regulator and hose assembly must be made through the manufacturer, LANDMANN-USA.

- **DO NOT** enlarge the valve orifices or burner ports when cleaning the valves or burners.




Important Safety Information


- If you see, smell or hear hissing of gas escaping from the LP gas cylinder, move away from the LP gas cylinder. **DO NOT** attempt to correct the problem yourself and call the fire department.
- If a grease fire occurs, turn **OFF** the burner and leave the lid closed until the fire is out.
- **DO NOT** alter this grill in any manner. Any alteration automatically voids the warranty.
- **DO NOT** use the grill in high wind situations.

To avoid the possibility of tipping over the grill, **NEVER** place more than 10 pounds on the side table.


NEVER leave cooking food unattended. Continually observing the food will help in maintaining an even temperature, conserve fuel, improve the food's flavor and lessen flare-ups.

The LP gas supply cylinder to be used must be constructed and marked in accordance with the Specification for LP Gas Cylinders of the U.S. Department of Transportation (DOT) or the National Standard of Canada, CAN/CSA-b339 (Cylinders, Spheres, and Tubes for transportation of Dangerous Goods).

 DANGER	<p>A fire causing death or serious injury may occur if the following is not followed exactly:</p> <p>NEVER store or use gasoline or other volatile substances in the vicinity of this grill. NEVER store a spare propane cylinder in the vicinity of this grill, or in the vicinity of another potential heat source.</p>
---	--

 WARNING	<p>DO NOT store spare gas cylinder in or near grill.</p> <p>Place dust cap on cylinder valve outlet whenever the cylinder is not in use. Install only the type of dust cap on cylinder valve outlet that is provided with the cylinder valve. Other types of caps or plugs may result in leakage of propane.</p>
---	---

State of California Proposition 65 Warnings

 WARNING	<p>This product contains chemicals known to the State of California to cause cancer and birth defects or other reproductive harm.</p>
---	---



Liquid Propane (LP) Safety Information

Please review the below guidelines and safety information when using Liquid Propane (LP) gas.

General Information

- This grill is designed certified by ETL for use with a standard 20 lb. LP gas cylinder.
- This grill **CANNOT** be converted to natural gas. **DO NOT** attempt to convert this grill with a different gas type.

Safety Information

- LP gas has an odor similar to natural gas.
- LP gas is heavier than air and leaking gas may collect in low areas and resist dispersion.
- LP cylinders should not be dropped or handled roughly.
- **DO NOT** use a damaged LP cylinder. A dented or rusty LP cylinder or an LP cylinder with a damaged valve may be hazardous and should be replaced with a new cylinder immediately.
- **ALWAYS** close the cylinder valve after use.
- **ALWAYS** close the cylinder valve when disconnecting the regulator.
- **ALWAYS** treat possible empty LP cylinders with the same care as a full LP cylinder. There may still be gas pressure inside a possible empty LP cylinder.
- **NEVER** store or transport an LP cylinder where the temperature can reach 125°F.
- Keep LP cylinders away from children and pets.
- **DO NOT** store disconnected LP cylinders in a building, garage or other enclosed areas.

- If the LP cylinder is kept in the grill between uses, make sure to keep both the grill and the cylinder in an outdoor area with good ventilation.
- **ALWAYS** leak test the LP cylinder connection to the regulator when ever changing LP cylinders.

Installation of LP Cylinder

1. Make sure all burner controls are in the **OFF** position.
2. Open the cabinet door.
3. Carefully position in the large hole on the bottom panel.
4. To secure the LP cylinder in place, screw the tank holding tray bolt through the bottom section of the LP cylinder.
5. Attach the regulator to the cylinder by carefully **HAND TIGHTENING** only.
6. **NEVER** use a wrench or other tool to tighten this connection.
7. Observe all governing codes and ordinances.

Important

The United States LP gas appliance installation must conform with local codes and ordinances. In the absence of local codes, appliance installation must conform with either the National Fuel Gas Code, ANSI Z223.1/NFPA54, Natural Gas and Propane Appliance code, CSA B149.1, or Propane Storage and Handling Code, B149.2, as applicable.

For Canada, installation of this grill must comply with local codes and/or Standard CSA B149.2 (Propane Storage and Handling Code).



Package Contents

Part	Description	Quantity
1	Cart base panel	1
2	Cart base front trim	1
3	Cart left side panel	1
4	Cart right side panel	1
5	Locking caster	2
6	Non-locking caster	2
7	Caster support left	1
8	Caster support right	1
9	LP tank bolt	1
10	Grease tray support right	1
11	Grease tray support left	1
12	Cart door right	1
13	Cart door left	1
14	Cart door handle	2
15	Match lighting tool & chain	1
16	Cart top cross brace	1
17	Cart back panel	1
18	Cart door handle sleeve	4
19	Grease cup	1
20	Grease tray	1
21	Control knob	3
22	Lid handle	1
23	Folding side shelf bracket B	2
24	Folding side shelf bracket A	2
25	Folding side shelf left	1
26	Folding side shelf right	1
27	Heat tent	3
28	Cooking grate	2
29	Warming rack	1
30	Grill firebox	1
31	LP tank bolt end cap	1









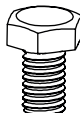


Preparation

Before beginning assembly of this grill, please remove all packing material and verify that all of the assembly parts are included (see Package Contents on page 6). If any part is missing or damaged, **DO NOT** attempt to assemble the product.

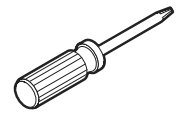
Estimated assembly time: 45 minutes with two people.

Tools Needed: Phillips Head screw driver.

Hardware Contents

A	B	C	D	E	F	G
						
M4 x 10 x 16	M6 x 12 x 30	M6 x 18 x 8	M5 x 10 x 1	M4 x 8 x 1	M6 x 10 x 4	M10 x 12 x 2
H						
	Wrench x 1					
x 2						

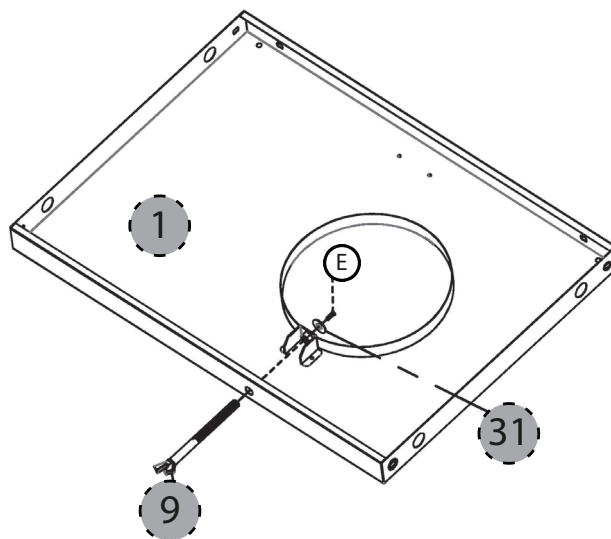
Tools Required




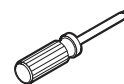
2 pt Phillips Screwdriver

Assembly Instructions

1.

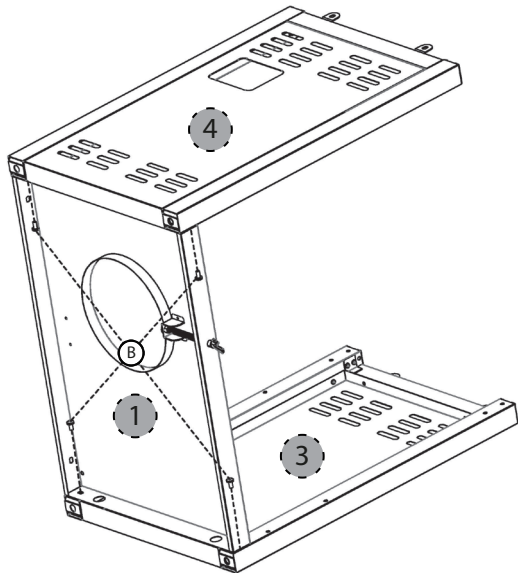



 E M4X8 mm Screw (x1)

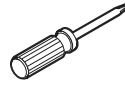


Assembly Instructions


2.

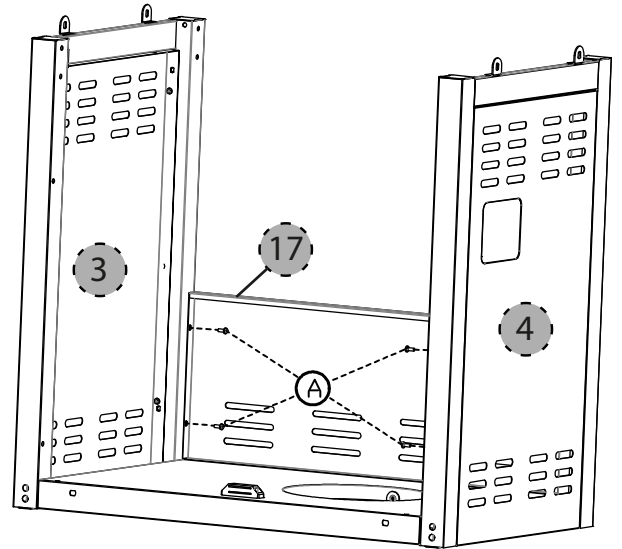
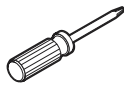


 B M6X12 mm Screw (x4)




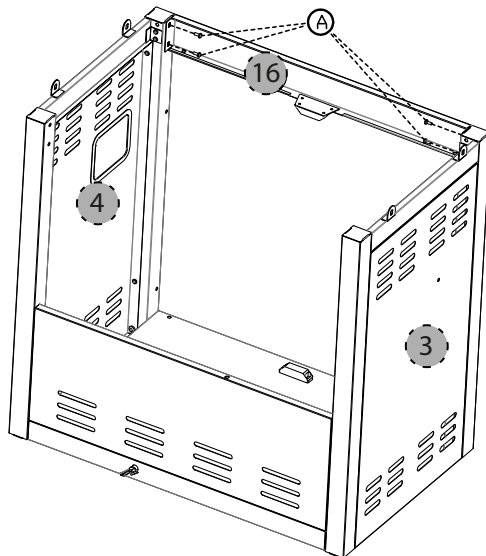
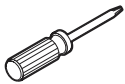
3.

 A M4X10 mm Screw (x4)



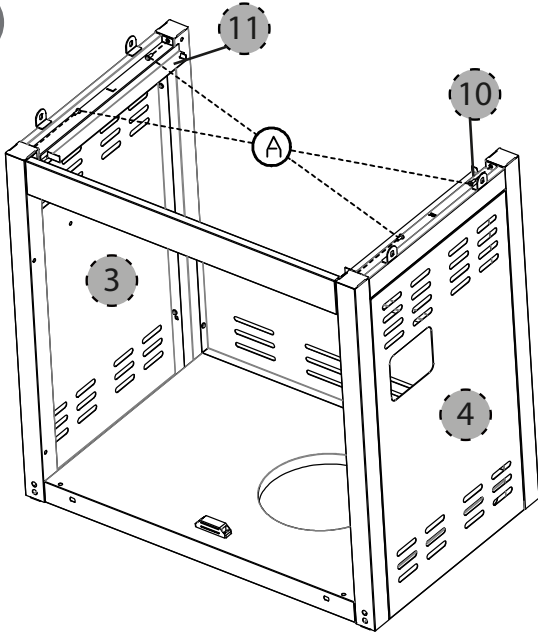
4.

 A M4X10 mm Screw (x4)

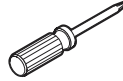


Assembly Instructions

5.



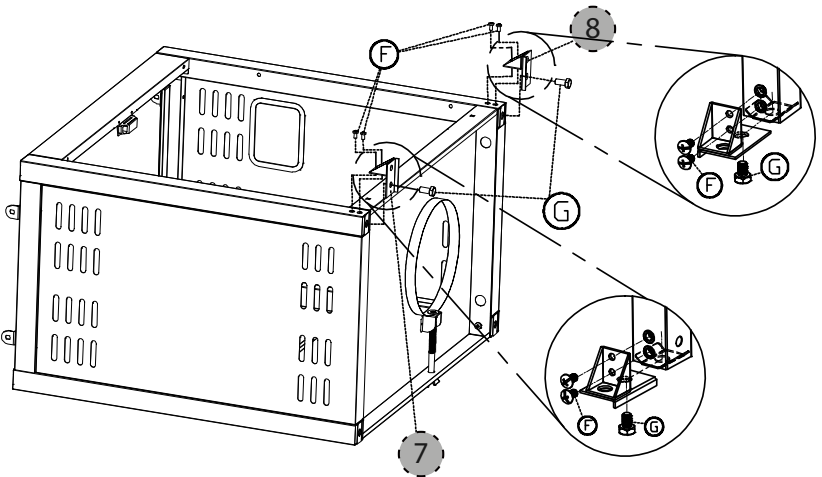
A M4X10 mm Screw (x4)



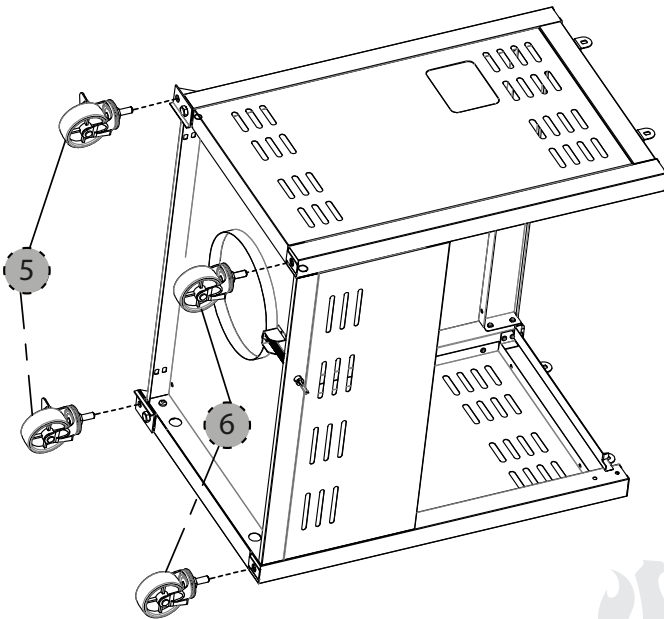
6.

F M6X10 mm Screw (x4)

G M10X12 mm Screw (x2)



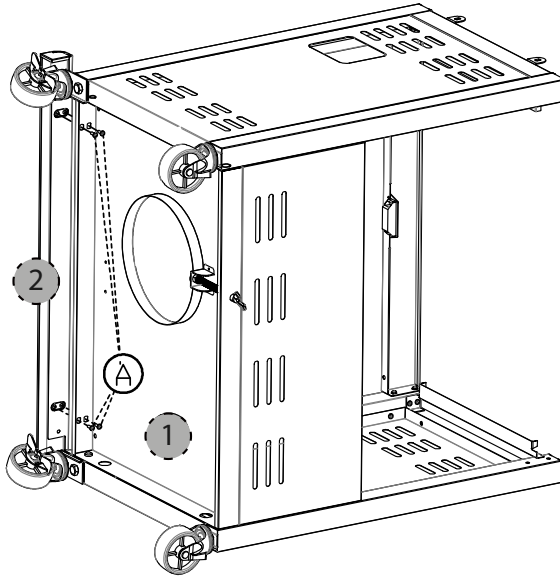
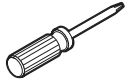
7.



Assembly Instructions

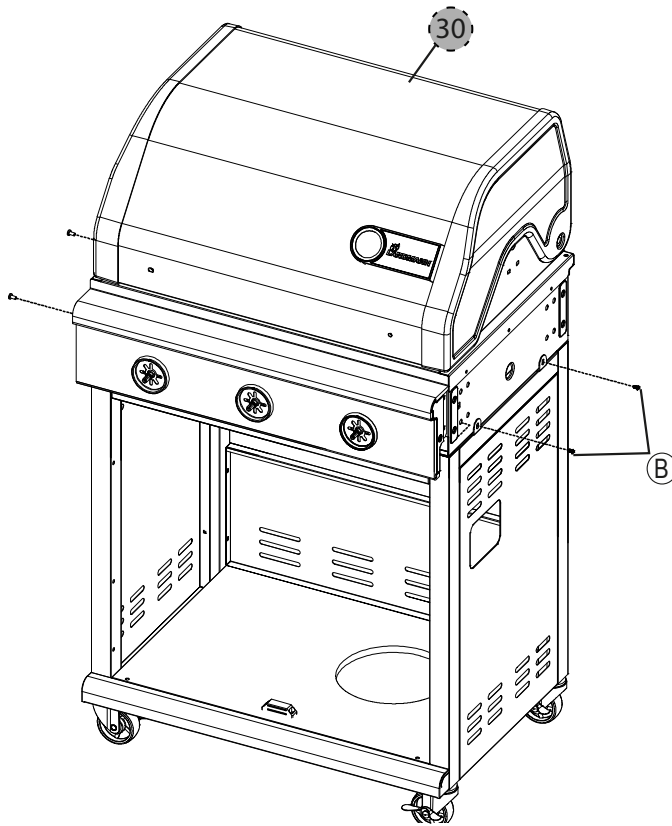
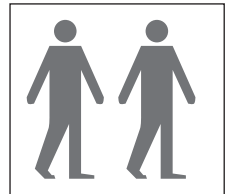
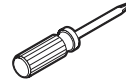
8.

A M4X10 mm Screw (x4)



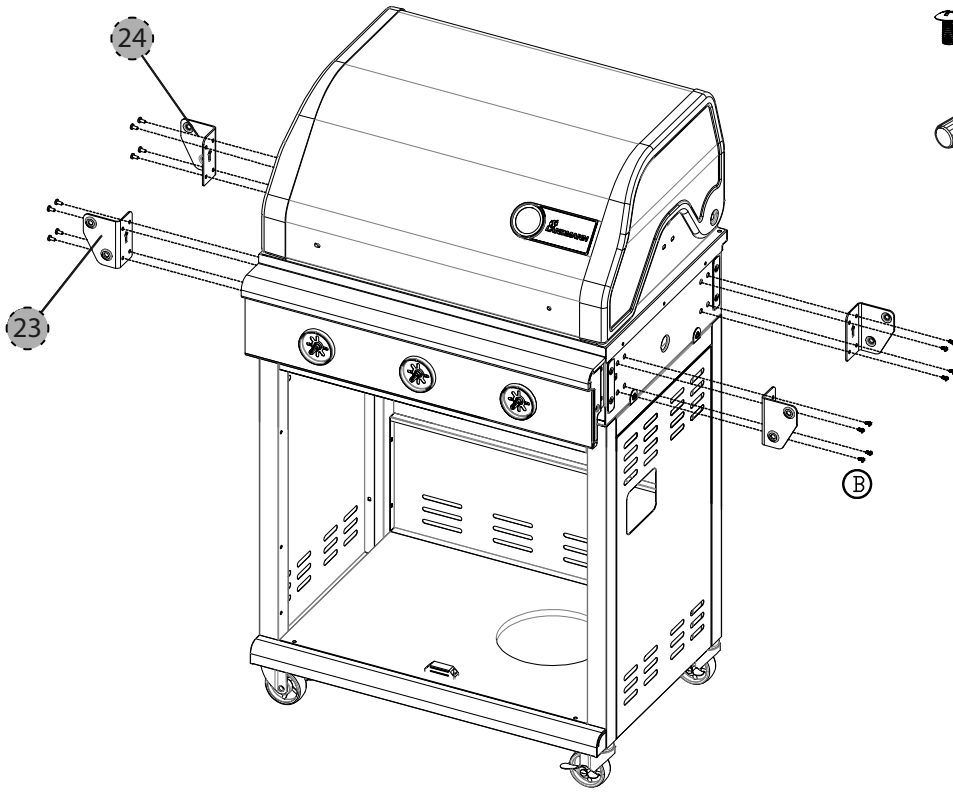
9.

B M6X12 mm Screw (x4)

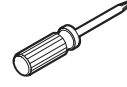


Assembly Instructions

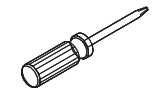
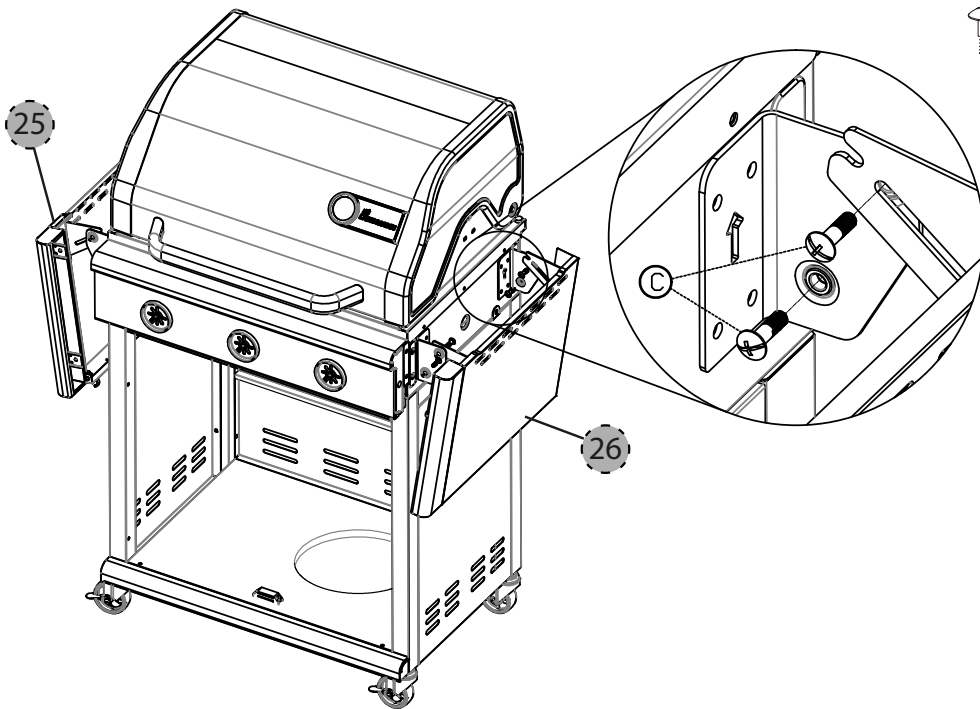
10.



B M6X12 mm Screw (x16)



11.



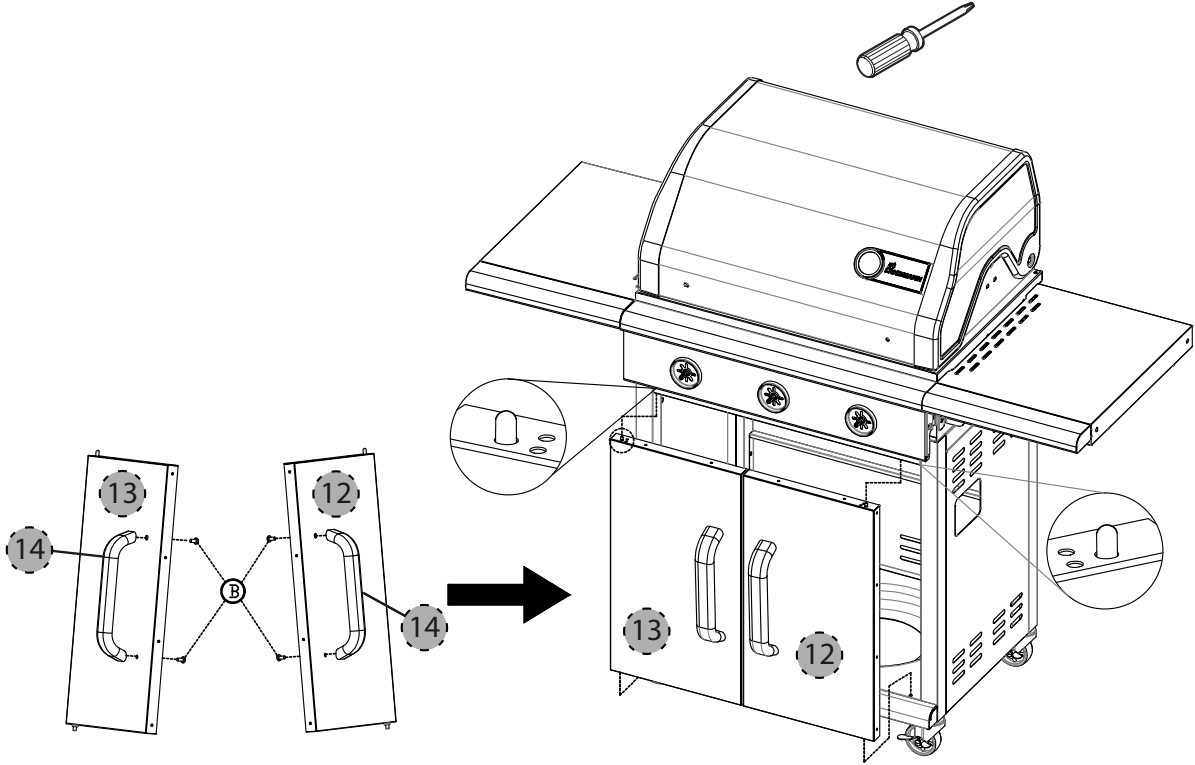
C M6X18 mm Screw (x8)



Assembly Instructions

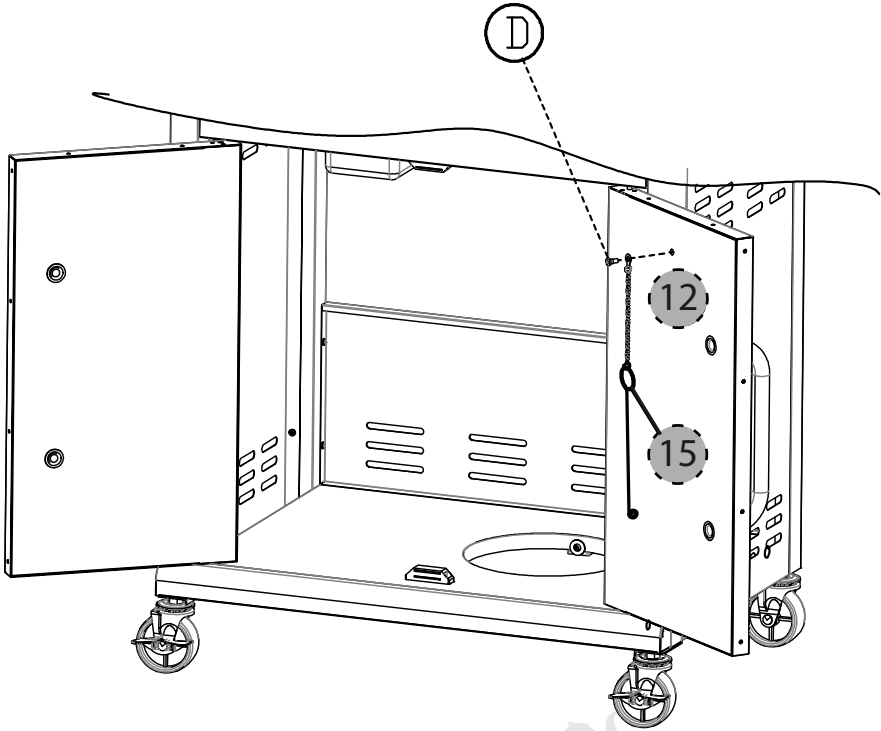
12.

B M6X12 mm Screw (x4)



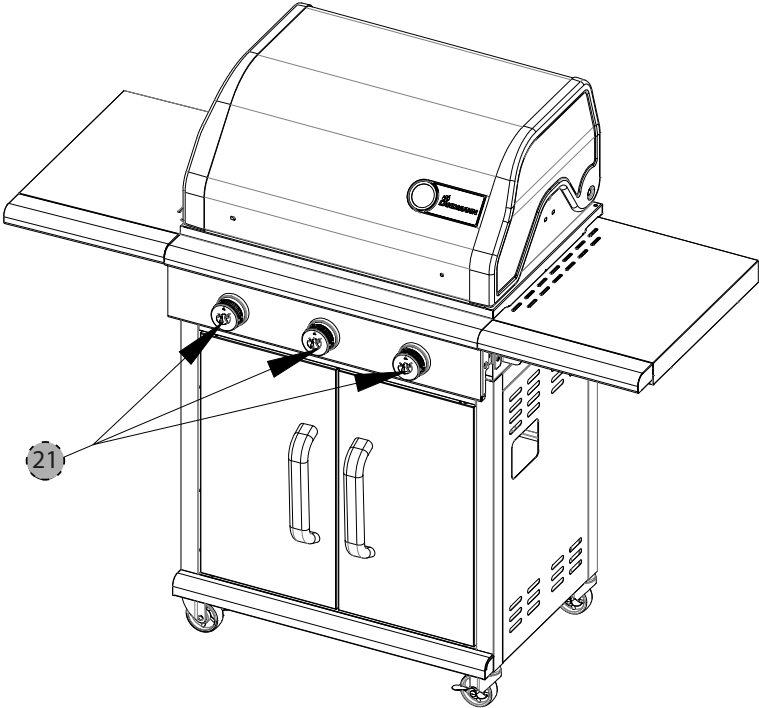
13.

D M5X10 mm Screw (x1)

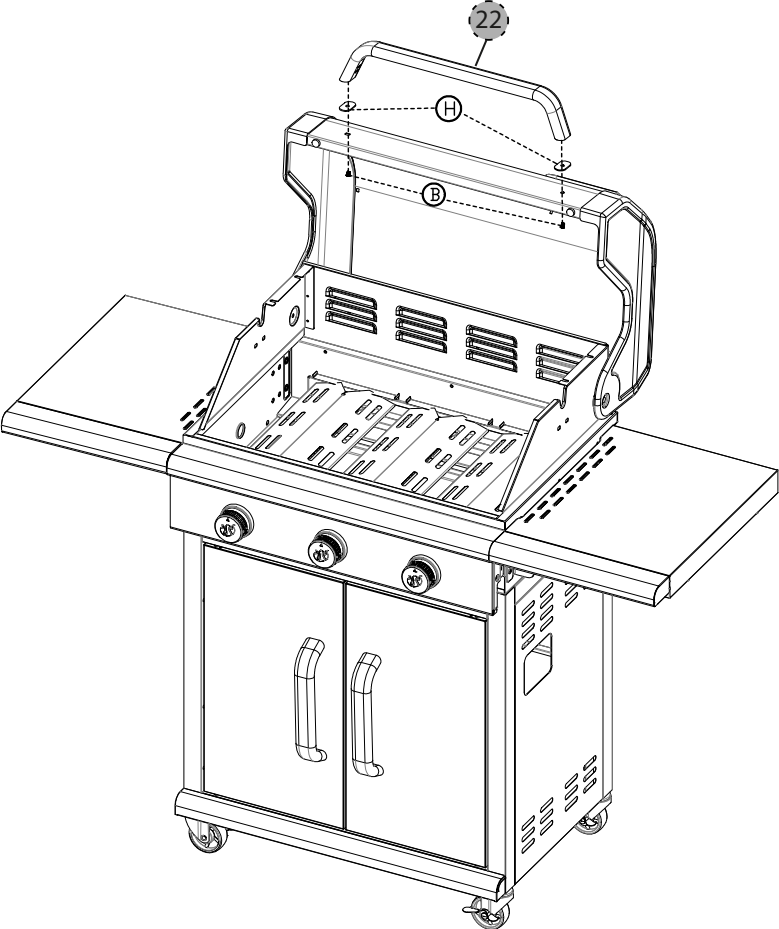


Assembly Instructions

14

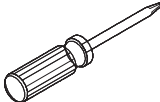


15.



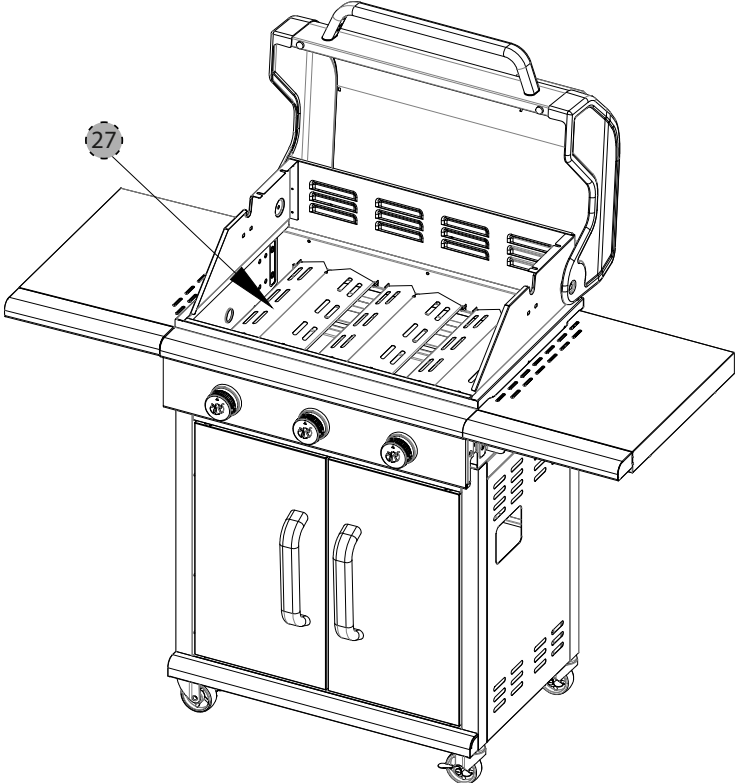
B M6X12 mm Screw (x2)

H (x2)

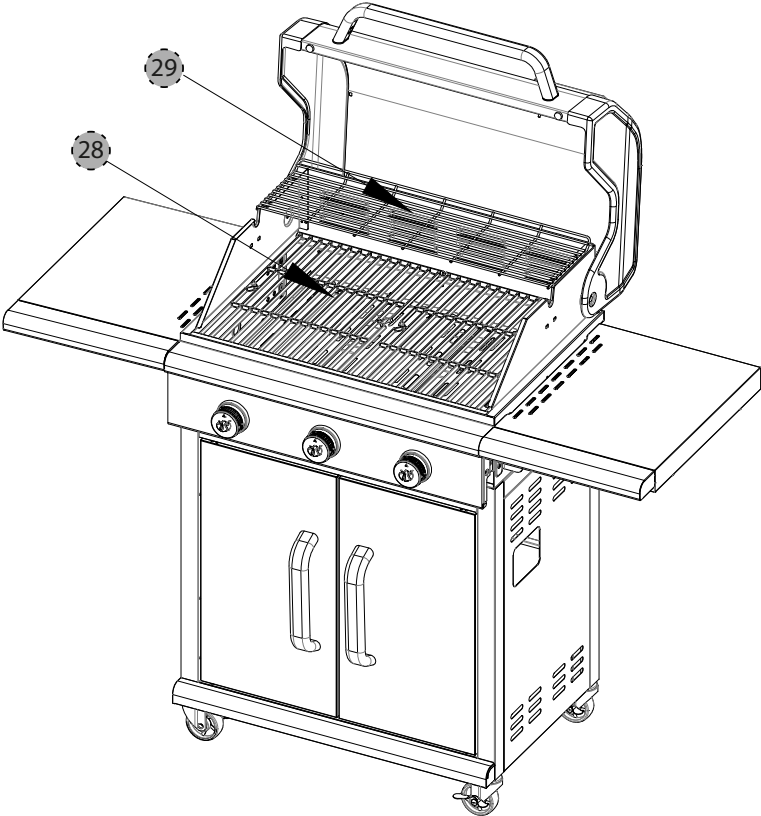


Assembly Instructions

16.

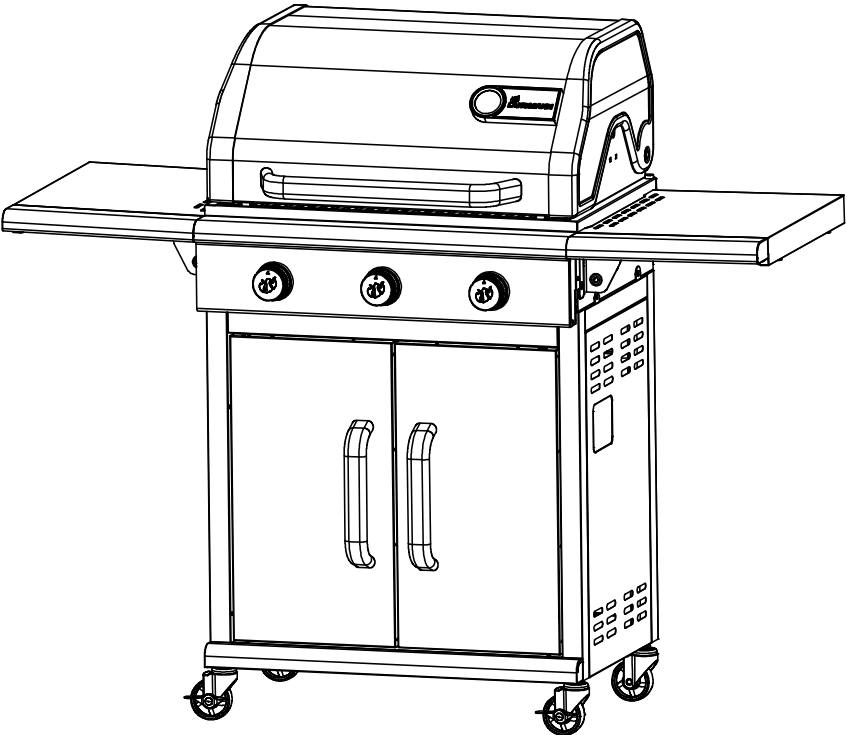
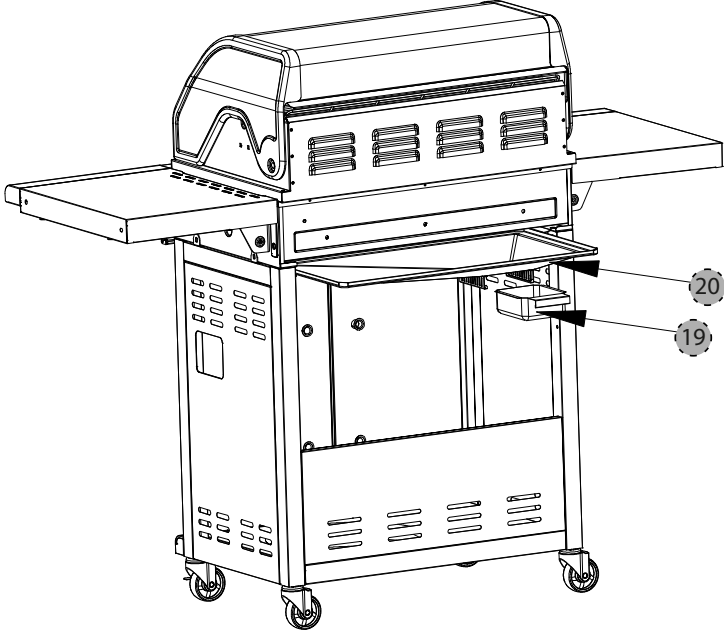


17



Assembly Instructions

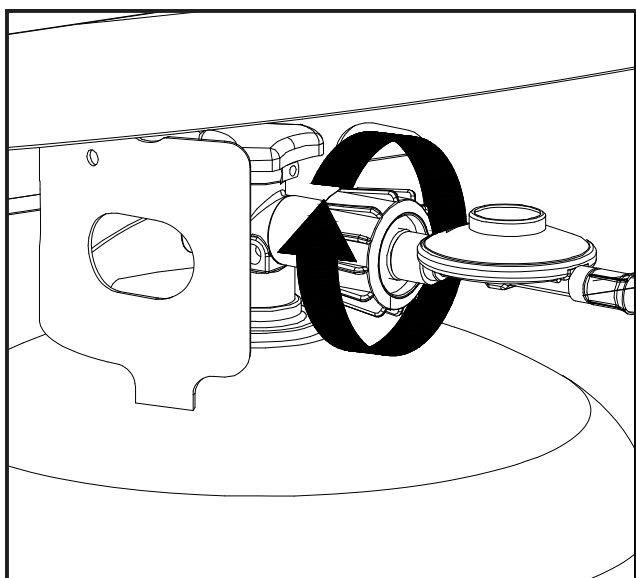
18




Connecting Gas Cylinder

1. **ALWAYS** place the propane cylinder on the tank holder under the cart.
2. **ALWAYS** confirm that all burner control knobs are in OFF position before activating the gas supply.
3. Before connection, be sure that there is no debris caught in the head of the gas cylinder, head of the regulator valve, or in the head of the burner and burner ports.
4. **ALWAYS** connect the gas supply regulator as follows: Insert the nipple of the valve coupling into the tank valve and tighten the connection collar by turning it clockwise with one hand while holding the regulator with the other hand.
5. Disconnect the propane cylinder from the regulator valve when the grill is not in use.
6. **DO NOT** obstruct the flow of combustion air and ventilation air to the grill.
7. Keep ventilation openings of the cylinder enclosure free and clear from debris.

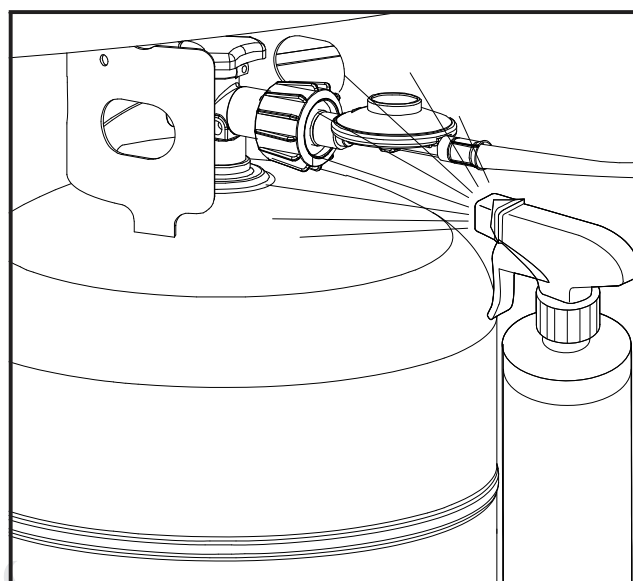
Please make sure the cylinder valve connection device shall properly and safely mate with the connection device attached to the inlet of the pressure regulator.



 DANGER	To prevent fire or explosion hazard when testing for a leak:
	<ol style="list-style-type: none">1. ALWAYS perform the 'leak test' before lighting the grill and each time the cylinder is connected for use.2. DO NOT smoke or allow other sources of ignition in the area while conducting a leak test.3. Conduct the leak test outdoors in a well-ventilated area.4. DO NOT use matches, lighters or a flame to check for leaks.5. DO NOT use grill until all leaks have been stopped. If you are unable to stop a leak, disconnect the propane supply, call for gas appliance service or your local propane gas supplier.

Checking for Leaks

1. Make 2-3 oz. of leak solution by mixing one part liquid dishwashing soap with three parts water.
2. Make sure control knobs are in the **OFF** position.
3. Spray some solution on the tank valve up to the valve connection. (See diagram to below.)
4. Inspect the solution at the connections for bubbles. If no bubbles appear, the connection is secure.
5. If bubbles appear, you have a leak. Go to step 6.
6. Disconnect the regulator from the tank and reconnect. Make sure the connection is tight and secured.
7. Retest with solution.
8. If "growing" bubbles appear do not use or move the LP cylinder. Contact an LP gas supplier or your fire department!





Lighting Instructions

Prior to the first use, it is important to clean your grill with heat. This will clean the internal parts by burning off any residue and odor from the manufacturing process. To perform this cleaning, operate the grill for approximately 15-20 minutes at the highest heat setting with the cooking hood closed.


IMPORTANT

Please read these instructions before attempting to light the grill.

 WARNING	Failure to open the lid before igniting may result in an explosive flare-up, which can cause serious bodily injury or death.
---	--

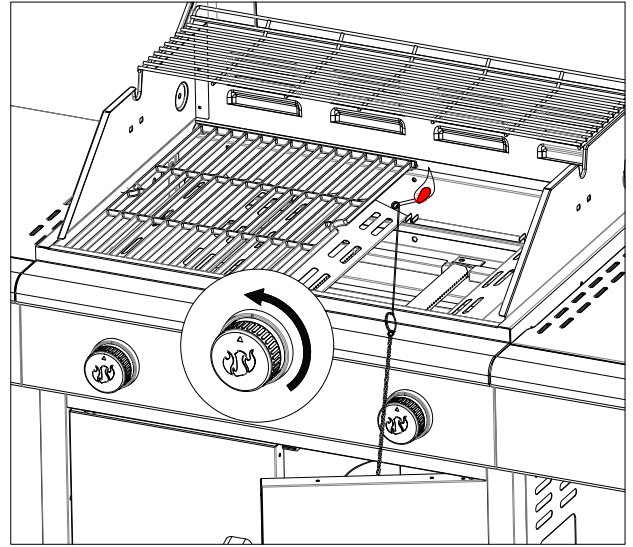
 WARNING	DO NOT lean over the open grill when lighting.
---	---

1. Open lid.
2. Ensure that all burner control knobs are in the “● OFF” position.
3. Turn on the gas supply.
4. Push and turn any main burner control knob to the “Max” position.
5. If the burner does not ignite, then immediately turn the control knob back to the “● OFF” position and repeat step 4 several times.
6. If the ignition flame and burner will not ignite within 5 seconds, turn the control knob to the “● OFF” position and wait 5 minutes for the gas to dissipate and then repeat step 4.

 WARNING	Failure to follow the five-minute waiting period may result in an explosive flare-up, which can cause serious bodily injury or death.
---	---

7. To extinguish the burner, push in the control knob and turn clockwise to the “● OFF” position.

Match Lighting



Note: Match lighting tool is located on the inside of the door.

1. Turn all gas control knobs to the ● OFF position
2. Turn on gas valve from gas source.
3. Lid **MUST** be open when lighting.
4. Remove the match lighting tool and stick a match into the end of the tool.
5. Light the match.
6. Once lit, guide the lit match under the grate.
7. Push in and turn the control knob to 🔥 **Max** for the burner closest to the light match. The burner should light immediately.
8. Adjust burner control knob to the desired cooking temperature.



Care and Maintenance

Please use the following guidelines to keep your grill clean and looking new. Before any cleaning, make sure the control knob is in the • **OFF** position and grill is cool to the touch.

Cleaning the Outside of the Grill

For painted surfaces clean thoroughly with a hot soapy water solution. Rinse with water and allow to completely dry.

For the stainless steel surfaces, use a good quality stainless steel cleaner.

- When cleaning, always rub or wipe in the direction of the stainless steel grain.
- For stubborn spots, always scrub in the direction of the stainless steel grain.
- **DO NOT** clean stainless steel with anything containing acid, mineral spirits or xylene.
- **DO NOT** use a wire brush or any abrasive cleaner on the stainless steel surface as this will cause scratches in the stainless steel finish.

Cleaning the Inside of the Grill

For safety and efficiency, it is important to remove any debris or excess grease that may accumulate inside the grill.



If using a bristle brush to clean cooking surfaces make sure no loose bristles remain on the cooking surface as they may attach to food.



Do not allow drippings or food residue to remain on the heat tents or grease tray. Clean regularly to ensure proper cooking performance.

- Wipe off the inner lid liner with a paper towel to prevent grease build up.
- For the stainless steel heat tents, clean residue off with wire brush or a flat scraper.
- Remove the grease cup and empty into a suitable container. Then wipe with a paper towel to remove excess grease.
- Remove the grease tray from the grill and clean off residue with a wire brush or flat scraper, then wipe with a paper towel to remove any excess grease.



DO NOT line grease tray or grease cup with aluminum foil.

Grease cup

The grease cup is located below the grill and should be cleaned after each use to prevent heavy buildup of debris.

Note: Allow the grease cup to cool before attempting to clean.

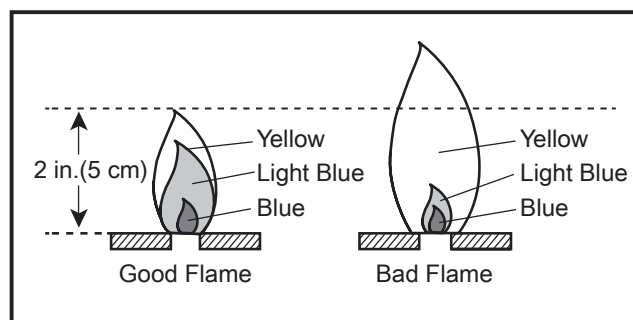
Hose Inspection

The hose should be inspected periodically for any signs of cracking, nicks, cuts or abrasions.

- If the hose is found to be damaged in any way **DO NOT** use the grill.
- The hose must be replaced by a certified hose as shown in the replacement parts section.

Checking the Flame

The flame coming out of the burners should be a blue/yellow combination and between one to two inches tall (see below).



To Remove Burner

Make sure all control knobs are in the OFF position, the LP gas supply valve has been closed, and the gas hose is disconnected from the gas supply.

1. Open Lid and remove warming rack, cooking grates and heat tents.
2. Using a 2 pt Phillips screw driver, loosen the screw holding the burner in the back of the grill.
Note: This is a screw/nut combination so make sure to hold the nut while removing the screw.
3. Slide the burner forward and then lift up and out of the firebox.
4. Unscrew the electrode & wire from the burner.

To Clean Burner

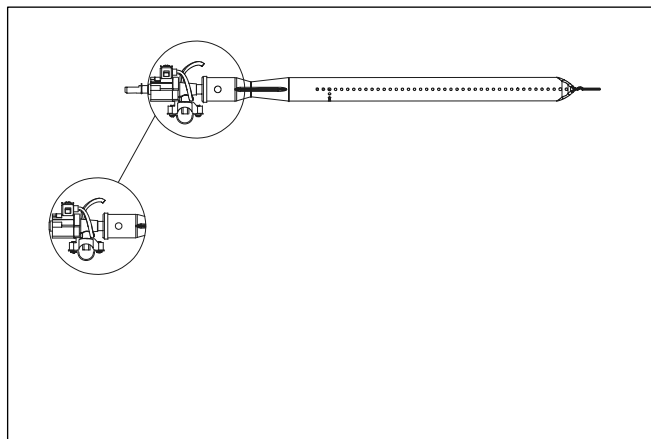
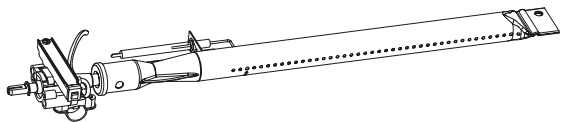
- Make sure all burner ports are clear of any clogs.
Tip: Use a pin or paper clip to unclog.
- Make sure the burner is free of any damage. If damage is found, replace the burner.
- Make sure the end of the burner and primary air screen are clear from insect nests, dirt, or debris.



Care and Maintenance

To Reinstall Burner

1. Be sure the gas valve orifices are correctly positioned inside the burner inlet.
2. Reattach the electrode and wire to the burner.
3. Reattach the screw/nut combination.
4. Reposition flame tents, cooking racks, and warming rack.



Cooking Methods And Grilling Tips

Direct Heat

Direct heat cooking means that the food is placed on grill grates directly over the lighted burners.

- The lid position can be either up or down.
- If the lid is in the up position, generally cooking time may be longer.
- Direct heat is used to sear the food to seal in the natural juices by cooking with intense heat for a short period of time. The outside of the food is browned with a flavorful grilled coating

Before Grilling


- Make sure that the food items are completely thawed before grilling.
- With the grill lid closed, heat the grill on high for 5-10 minutes.
- **DO NOT** lift the lid during the preheating process.
- The preheating process with high heat is necessary to brown and seal juices of the food.
- For high-fat meat and poultry, trim excess fat from meats and shorten the preheat time. Both will help reduce flare-ups from dripping grease.
- Lightly oil the cooking grates when cooking low-fat meat, fish or poultry. Beware that using too much oil can cause a gray ash to deposit on the food.

During Grilling

- The temperature gauge on the lid indicates the cooking temperature inside the grill.
- Turn foods only once if possible. Juices are lost when meat is turned several times.
- Turn meat just when the juices begin to appear on the surface.
- Avoid puncturing or cutting the meat to test doneness. This allows the juices to escape.
- Add barbecue sauce only during the last 10 minutes of cooking to avoid burning the sauce.
- The doneness of the meat will be controlled by the type of meat, the size, shape and thickness of the meat, the heat setting or method, and the length of time on the grill.
- Cooking time will be longer with an open grill lid.
- Allow for more cooking time on cold and windy days, or at higher altitudes. In reverse, allow for less cooking time in extremely hot weather.
- Grilling conditions may require adjustments of the burners to obtain and maintain the correct cooking temperatures.
- Use tongs for turning and handling meat instead of a fork, to avoid losing the meat juices.
- If a flare up occurs, turn the control knob to the “● **OFF**” position and move the food to another area of the cooking grate. After flames subside, relight the burners using the lighting instruction in this manual.
- **NEVER** use water to extinguish flame on a gas grill.

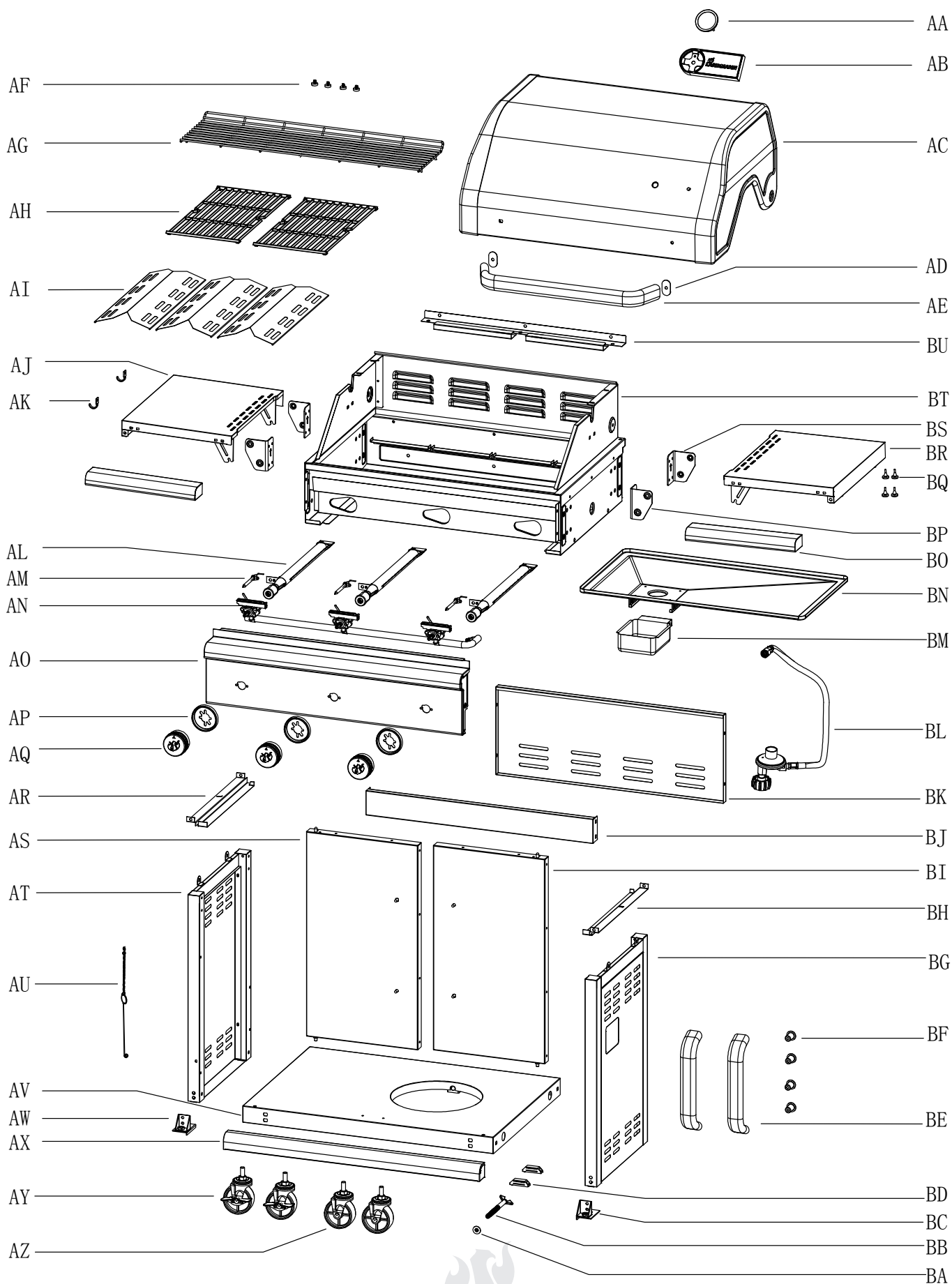


Troubleshooting

Problem	Cause	Solution
Grill will not light.	<ol style="list-style-type: none"> 1. LP cylinder valve is closed. 2. LP cylinder gas level is low. 3. “Match lighting” may be necessary. 4. Electrodes may be wet. 5. Debris is blocking the electrodes. 6. No spark shows at electrode tip. 	<ol style="list-style-type: none"> 1. Turn ON LP cylinder valve. 2. Replace LP cylinder. 3. “Match lighting” light grill per this manual’s instructions. 4. Dry electrodes with dry cloth. 5. Clean electrodes with rubbing alcohol and retry. 6. Replace electrode.
Flame will not stay lit.	<ol style="list-style-type: none"> 1. LP cylinder valve is closed. 2. LP cylinder gas level is low. 3. Burner is not properly installed or dirty. 	<ol style="list-style-type: none"> 1. Turn ON LP cylinder valve. 2. Replace LP cylinder. 3. Reinstall burner properly and clean out any debris.
Flame is low, irregular or noisy.	<ol style="list-style-type: none"> 1. LP cylinder gas level is low. 2. Improper lighting procedure. 3. Burner ports may be clogged. 4. Gas supply may be bent or kinked. 5. Grill may be in an area that is too windy. 6. There are obstructions such as grease debris, or insects in air inlets. 	<ol style="list-style-type: none"> 1. Replace propane cylinder. 2. Disconnect LP hose regulator from LP tank, reconnect and then follow lighting procedure exactly as listed. 3. If only one burner is affected, check and clean the burner ports. 4. Straighten out the gas supply hose. 5. Wait until wind subsides to continue. 6. Clean burner air inlets of obstructions.
Excessive flare-ups <div style="border: 1px solid black; padding: 5px; margin-top: 10px;">  <p style="text-align: center; margin: 0;">CAUTION</p> <p>DO NOT spray water on the gas flames – this could damage the grill.</p> </div>	<ol style="list-style-type: none"> 1. Flare-up are normally caused by excessive fat from meat being grilled. 2. Grill is dirty. 3. The cooking temperature may be too high. 4. Lid is closed. 5. Food is overcooked or burnt. 6. Firebox, grease tray and grease cup are full of grease. 	<ol style="list-style-type: none"> 1. Trim fat from meat being grilled. 2. Make sure grill is clean. 3. Keep flame on low or turn one burner off. 4. Keep the lid up when grilling to avoid excessive flare-ups. 5. Move food to another area of the grill until flames subside. 6. Clean firebox, grease tray and grease cup.
Grill does not get hot enough.	<ol style="list-style-type: none"> 1. Propane cylinder gas level is low. 2. Gas flow limiting device may have been activated. 	<ol style="list-style-type: none"> 1. Replace or refill LP Cylinder. 2. Turn OFF Control Knobs & LP Cylinder valve. Disconnect regulator from LP Cylinder. Inspect & clean LP Cylinder fitting and regulator connector. Wait 1minute. Reconnect regulator and perform leak test. Light grill following exact lighting procedure.



Replacement Parts



Replacement Parts

Part	Description	Quantity	Part #	Part	Description	Quantity	Part #
AA	Temperature gauge 2.25"	1	PC0101	BU	Flame crosser	1	PC0183
AB	Logo plate	1	PC0102				
AC	Grill lid	1	PC0159				
AD	lid handle insulating spacer	2	PC0112				
AE	Lid handle	1	PC0116				
AF	Rubber bumper	4	PC0155				
AG	Warming rack	1	PC0154				
AH	Cooking grate	2	PC0173				
AI	Heat tent	3	PC0174				
AJ	Folding side shelf left	1	PC0175				
AK	Side shelf tool hook	2	PC0150				
AL	Main burner	3	PC0114				
AM	Main burner electrode	3	PC0115				
AN	Manifold and valve assembly	1	PC0176				
AO	Control panel	1	PC0177				
AP	Control knob bezel	3	PC0146				
AQ	Control knob	3	PC0145				
AR	Grease tray support left	1	PC0189				
AS	Cart door left	1	PC0126				
AT	Cart left side panel	1	PC0162				
AU	Match lighting tool & chain	1	PC0156				
AV	Cart base panel	1	PC0163				
AW	Caster support left	1	PC0164				
AX	Cart base front trim	1	PC0165				
AY	Locking caster	2	PC0135				
AZ	Non-locking caster	2	PC0134				
BA	LP tank bolt end cap	1	PC0130				
BB	LP tank bolt	1	PC0129				
BC	Caster support right	1	PC0166				
BD	Cart door magnet	2	PC0131				
BE	Cart door handle	2	PC0137				
BF	Cart door handle sleeve	4	PC0138				
BG	Cart right side panel	1	PC0167				
BH	Grease tray support right	1	PC0190				
BI	Cart door right	1	PC0125				
BJ	Cart top cross brace	1	PC0168				
BK	Cart back panel	1	PC0169				
BL	Hose & regulator	1	PC0118				
BM	Grease cup	1	PC0143				
BN	Grease tray	1	PC0144				
BO	Folding Side shelf front	1	PC0178				
BP	Folding side shelf bracket A	1	PC0179				
BQ	Rubber bumper	1	PC0191				
BR	Folding side shelf right	1	PC0180				
BS	Folding side shelf bracket B	1	PC0181				
BT	Grill firebox	1	PC0182				

Parts Not Shown

Instruction manual	1	PC0187
Hardware pack	1	PC0188



Warranty

This Propane Gas Grill is warranted to be free of defects in material and workmanship when properly assembled, used in a normal household setting and cared for as directed in these instructions for 5 years on main burners and for 2 years on all other parts from the date of the original retail purchase.

This warranty does not cover: rust, fading, peeling, damage or issues related to neglect, abuse, accident, misuse, misapplication, improper assembly, transportation damages, commercial use or **ANY** modifications made to this product.

Repair labor is not covered. This warranty is the only warranty offered and is in lieu of all other warranties, whether expressed or implied, which includes implied warranty, merchandising or use for a particular purpose.

All replacement parts that meet the warranty requirements will be shipped at no charge via the discretion of the manufacturer (ground shipments, US Mail, UPS or FedEx). Any special handling charges (i.e. Second Day, overnight, etc.) will be the responsibility of the consumer.

All warranty claims apply only to the original purchaser and require a proof of purchase verifying the purchase date. Do not return parts without first obtaining a return authorization number from our customer service department.

Our customer service department can be reached at 1-800-321-3473 8:00 AM - 5:00 PM (EST) English Only, or Email CustomerService@landmann-usa.com

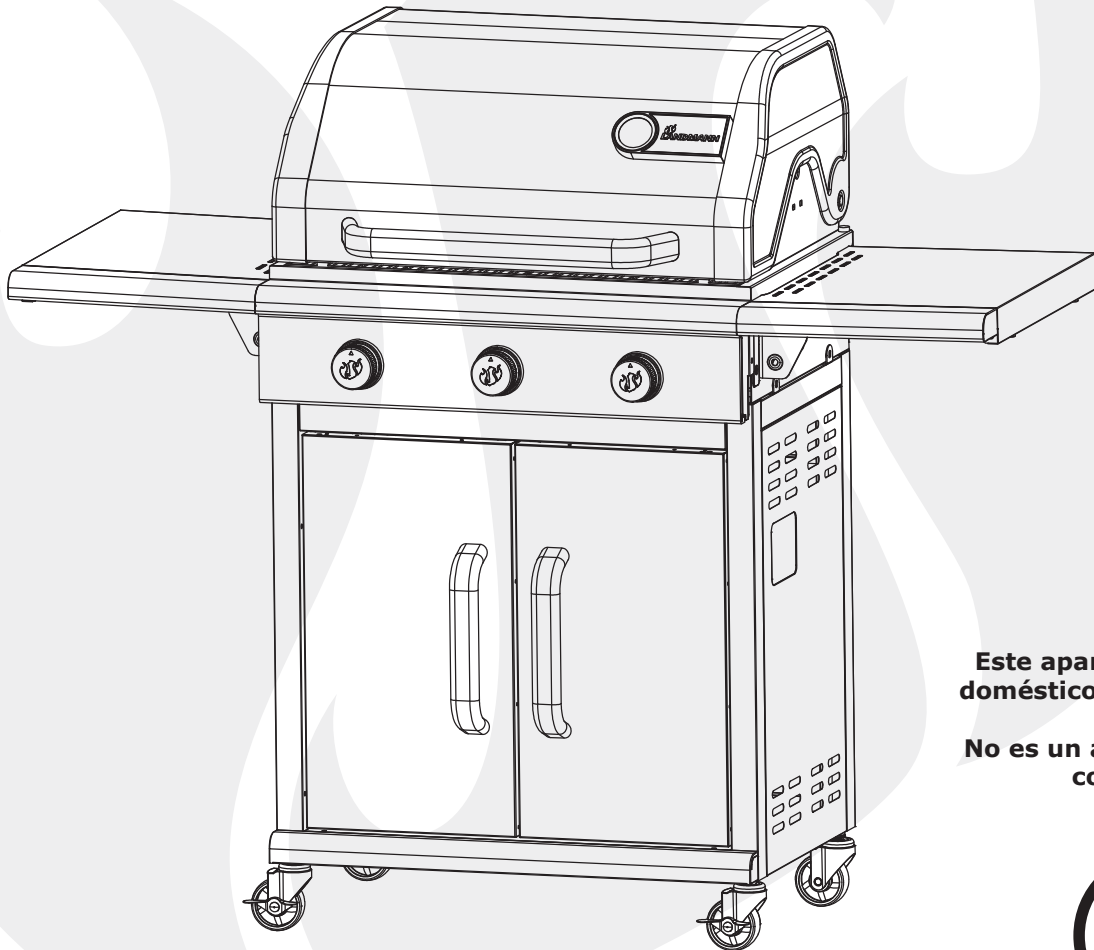
Please note for the United States, that some states do not allow the exclusion or limitation of incident or consequential damages or limitations on how long an implied warranty lasts, so the above limitations or exclusions may not apply to you. This warranty gives you specific legal rights and you may also have other legal rights which may vary from state to state.



Landmann USA, Inc.
7405 Graham Rd
Fairburn, Ga 302130

www.landmann-usa.com





Este aparato es para uso doméstico exclusivamente.

No es un aparato para uso comercial.

INSTRUCCIONES DE MONTAJE, CUIDADO Y USO LEA CON ATENCIÓN

**¡IMPORTANTE:
CONSERVE ESTAS INSTRUCCIONES PARA FUTURA REFERENCIA**



Intertek
5005342

Parrilla de propano líquido con 3 quemadores para barbacoa

MODELO 42259

¿Preguntas, problemas, piezas faltantes? Antes de devolverlo a su vendedor minorista, llame a nuestro departamento de atención al cliente al: 1-800-321-3473 entre 8:00 a.m. y 5:00 p.m. (EST) Sólo en inglés, o envíe un correo electrónico a CustomerService@landmann-usa.com

Contenido

Información importante sobre la seguridad.....	30-32	Conexión del tanque de gas	46
Información de seguridad sobre el propano líquido (PL).....	33	Instrucciones para el encendido	47
Contenido del empaque	34-35	Cuidado y mantenimiento	48-49
Preparación.....	36	Métodos de cocción y consejos para asar a la parrilla	50
Contenido de tornillería	36	Resolución de problemas	51
Herramientas necesarias	36	Indicaciones para asar a la parrilla	52-53
Instrucciones de montaje	36-45	Repuestos.....	54-55
		Garantía	56

Ensamblador/Instalador

Este manual de instrucciones contiene información importante que es necesaria para montar este aparato adecuadamente y usarlo de manera segura. Antes de montar y de usar este aparato, lea y respete todas las advertencias e instrucciones.

Dejar estas instrucciones con el consumidor.

Consumidor/Usuario

Al usar este aparato, respete todas las advertencias e instrucciones.

Conserve estas instrucciones para futura referencia.



PELIGRO

Si percibe olor a gas:

1. Cierre el suministro de gas al aparato.
2. Apague toda llama expuesta.
3. Abra la tapa.
4. Si el olor persiste, manténgase alejado del aparato y llame a su proveedor de gas o al Departamento de Bomberos.
5. No seguir estas instrucciones podría provocar una explosión o peligro de quemaduras, lo cual podría causar daños materiales, daños personales o la muerte.



ADVERTENCIA

1. **NO** almacene ni use gasolina u otros líquidos o vapores inflamables cerca de la unidad o de cualquier otro electrodoméstico.
2. No se debe almacenar cerca de esta unidad ni de otro electrodoméstico ningún tanque de PL (propano líquido) que no esté conectado para usarlo.
3. Esta parrilla es **PARA USO EXCLUSIVO EN EXTERIORES** y no se debe utilizar dentro de un edificio, cochera, bajo un saliente ni en ninguna otra área cerrada.
4. **NO** deje desatendida una parrilla encendida. Mantenga a los niños y mascotas lejos de la parrilla en todo momento.
5. **Este aparato es para uso doméstico exclusivamente. No es para uso comercial.**

Información importante sobre la seguridad



PRECAUCIÓN

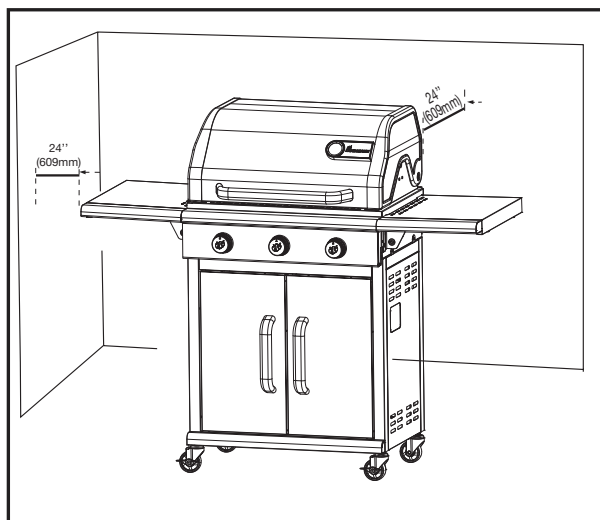
No hacer caso a las advertencias y precauciones en este manual de instrucciones puede ocasionar lesiones graves o la muerte, o puede provocar un incendio o una explosión que cause daños materiales.

- Asegúrese de seguir con atención todas las instrucciones de montaje. Un montaje incorrecto puede ser peligroso.
- Para encender esta parrilla, **NUNCA** use carbón, líquido para encendedores, gasolina, queroseno ni alcohol.
- **NUNCA** coloquemás de 10 libras en una mesa lateral. **NO** se apoye sobre la parrilla.



Información importante sobre la seguridad

- **NUNCA** use briquetas de carbón o líquido inflamable en la parrilla de gas. **NO** mover la parrilla mientras está encendida.
- Cuando encienda la parrilla o cocine, **NO** se apoye en la parrilla abierta.
- Siempre abra la tapa de la parrilla lentamente y con cuidado ya que el calor dentro de la parrilla puede causar graves quemaduras.
- **NO** ponga las manos o los dedos en el borde de la cámara de combustión cuando la cubierta esté abierta o cuando la parrilla esté caliente.
- Mantenga a los niños y mascotas lejos de la parrilla cuando esté usándola. Las partes accesibles pueden estar muy calientes.
- Mientras la parrilla esté en funcionamiento, **NO** intente desconectar el regulador del gas ni la unidad de mangueras o las conexiones del gas.
- La parrilla **NO** se debe colocar debajo de una construcción combustible elevada no protegida. Deje siempre por lo menos 24" de separación desde la parte superior, inferior y posterior, así como 24" a los lados de la parrilla (ver abajo).



- Esta parrilla es para uso en exteriores y **NO** se debe utilizar dentro de un edificio, cochera ni en ninguna otra área cerrada.
- **NO** obstruya el flujo de los gases de combustión del aire de ventilación. Mantenga libres las aberturas de ventilación del compartimento del tanque y sin residuos.
- En caso de que los quemadores se apaguen cuando la parrilla esté en funcionamiento, apague todas las válvulas de gas. Levante la cubierta y espere cinco minutos antes de intentar volver a encender la parrilla según las instrucciones de

encendido.

- Mantenga la parrilla limpia y libre de materiales combustibles, gasolina y otros vapores y líquidos inflamables.
- **NUNCA** guarde los tanques extras o desconectados de propano líquido debajo o cerca de la parrilla.
- Cuando la parrilla esté en funcionamiento, use siempre guantes o manoplas para barbacoa resistentes al calor.
- Mientras esté en funcionamiento, **NO** deje la parrilla sin atender ni la mueva.
- Esta parrilla no está destinada para usarse o instalarse en vehículos de uso recreativo, embarcaciones, remolques ni nada que se mueva.
- **NO** coloque la cubierta ni nada inflamable sobre la parrilla mientras esté en funcionamiento o mientras esté caliente.
- Está permitido almacenar en interiores un aparato de gas para cocinar para uso en exteriores siempre y cuando el tanque esté desconectado y no esté cerca del aparato.
- Cuando la parrilla no esté en uso, asegúrese de que el gas esté apagado en el tanque de suministro.
- Los tanques se deben guardar en exteriores y fuera del alcance de los niños. El tanque no se debe guardar dentro de un edificio, cochera ni en ninguna otra área cerrada.
- Revise siempre la manguera de suministro de gas antes de cada uso. Si la manguera muestra señales de abrasión o cortes, **NO** use la parrilla. Se debe cambiar de manguera antes de usar de nuevo.
- Revise siempre que en los quemadores y tubos venturi no haya insectos ni nidos de insectos.
- Verifique siempre que las conexiones no tengan fugas cuando conecte y desconecte el tanque de suministro de gas PL.
- Los tanques de gas deben incluir un collarín para proteger la válvula del tanque.
- Los tanques de gas PL abollados u oxidados pueden resultar peligrosos y es necesario que su proveedor de gas PL los revise.



PRECAUCIÓN

Se debe usar la unidad del regulador de presión y la manguera incluidos con esta parrilla. Todo lo que se requiera para sustituir la unidad del regulador y la manguera se deberá obtener a través del fabricante, LANDMANN-USA.



Información importante sobre la seguridad


- **NO** utilice tanques de gas PL que tengan la válvula dañada.
- **NO** agrande los orificios de la válvula o los puertos de los quemadores al limpiar las válvulas o los quemadores.
- Si ve, percibe un olor o escucha un ruido sibilante del gas que se escapa de un tanque de gas PL, aléjese del tanque de gas. **NO** intente resolver el problema usted mismo; llame al Departamento de Bomberos.
- Si la grasa se prende fuego, apague todos los quemadores (• **APAGADO**) y deje cerrada la cubierta hasta que el fuego se extinga.
- **NO** modifique la parrilla en forma alguna. Cualquier modificación invalida automáticamente la garantía.
- **NO** use la parrilla en situaciones donde haya mucho viento.


El tanque de suministro de gas PL que se use deberá estar construido y marcado conforme a las Especificaciones para Tanques de Gas PL del Departamento de Transporte de Estados Unidos (DOT) o de la Norma Nacional de Canadá, CAN/CSA-b339 (Tanques, esferas y tubos para traslado de material peligroso).


Para evitar la posibilidad de vuelcos de la parrilla, **NUNCA** coloquemás de 10 libras en la mesa lateral.

NUNCA deje la cocción de alimentos sin supervisión. Observe la comida constantemente para mantener una temperatura estable, conservar el combustible, mejorar el sabor de la comida y disminuir las llamas.

Advertencias de la Proposición 65 del Estado de California

 ADVERTENCIA	Este producto contiene sustancias químicas que de acuerdo al Estado de California causan cáncer y defectos de nacimiento o algún otro dano durante el embarazo.
---	---

 PELIGRO	Si no se respetan exactamente las instrucciones siguientes, se podría ocasionar un incendio potencialmente fatal o que provoque lesiones graves: NUNCA almacene ni use gasolina u otras sustancias volátiles cerca de esta parrilla. NUNCA almacene un tanque de propano de repuesto cerca de esta parrilla ni en las cercanías de alguna otra fuente potencial de calor. NUNCA llene el tanque de propano a más del 80% de su capacidad.
---	---

 ADVERTENCIA	NO almacene un tanque de gas de reserva en la parrilla o cerca de ella. Coloque el tapón protector en la salida de la válvula del tanque siempre que no se use el tanque. Sólo instale en la salida de la válvula del tanque la tapa protectora que se proporciona con la válvula del tanque. Otros tipos de tapas o tapones pueden dar como resultado fugas de gas propano.
---	--



Información de seguridad sobre el propano líquido (PL)

Por favor, revise las indicaciones siguientes y la información sobre la seguridad cuando use gas de propano líquido (PL).

Información general

- Esta parrilla está diseñada para usarse con tanque estándar de gas PL de 20 libras.
- Cualquier marca de tanque de gas PL de 20 libras es aceptable para usarse con esta parrilla, siempre y cuando sea compatible con los sistemas de retención de ésta (perno de la bandeja del tanque).
- Esta parrilla está diseñada y certificada por CSA internacional para el suministro local de gas PL.
- Esta parrilla **NO PUEDE** convertirse para usar gas natural. **NO** intente convertir esta parrilla para usar un tipo diferente de gas.

Información sobre la seguridad

- El gas PL tiene un olor similar al gas natural.
- El gas PL es más pesado que el aire y el gas que se fugue se puede acumular en áreas bajas y resistirse a dispersarse.
- Los tanques de PL se deben instalar, transportar y almacenar en posición vertical.
- Los tanques de PL no deben dejarse caer ni manejarse de manera brusca.
- **NO** utilice un tanque de PL que esté dañado. Un tanque de PL abollado u oxidado o que tenga la válvula dañada puede resultar peligroso y se deberá sustituir de inmediato por uno nuevo.
- Cierre **SIEMPRE** la válvula del tanque después de usarlo.
- Cierre **SIEMPRE** la válvula del tanque al desconectar el regulador.
- Trate **SIEMPRE** con el mismo cuidado un tanque de PL vacío que uno lleno. Es posible que en el interior del tanque vacío aún haya presión del gas.
- **NUNCA** almacene ni transporte un tanque de PL en un lugar donde la temperatura pueda llegar a los 125 °F (51,6 °C).
- Mantenga los tanques de PL lejos del alcance de los niños y mascotas.

- **NO** almacene los tanques de PL desconectados dentro de un edificio, cochera ni en ninguna otra área cerrada.
- Si el tanque de PL se mantiene en la parrilla después de usarla, asegúrese de que tanto la parrilla como el tanque estén en un área al descubierto, con buena ventilación.
- Al cambiar de tanque de PL, compruebe **SIEMPRE** que no haya fugas en la conexión del tanque con el regulador.

Instalación del tanque de PL

1. Asegúrese de que el control de todos los quemadores esté en posición • **APAGADO**.
2. Abra la puerta del armario.
3. Colóquelo con cuidado en el orificio grande del panel inferior.
4. Para fijar el tanque de PL en su lugar, atornille el perno de la bandeja de soporte a través de la sección inferior del tanque.
5. Conecte el regulador al tanque: con cuidado **APRIÉTELO CON LA MANO** solamente.
6. **NUNCA** una llave ni ninguna otra herramienta para apretar esta conexión.
7. Observe all governing codes and ordinances.

Importante

La instalación en Estados Unidos del aparato de gas PL debe cumplir con los códigos y leyes locales. En ausencia de códigos locales, la instalación del aparato deberá cumplir ya sea con el Código Nacional de Gas, ANSI Z223.1/ NFPA54, con el código de Aparatos de Gas Natural y de Propano, CSA B149.1, o con el Código de Manejo y Almacenamiento de Propano, B149.2, según corresponda.

En Canadá, la instalación de esta parrilla deberá cumplir con los códigos locales y/o con la Norma CSA B149.2 (Código de Manejo y Almacenamiento de Propano).

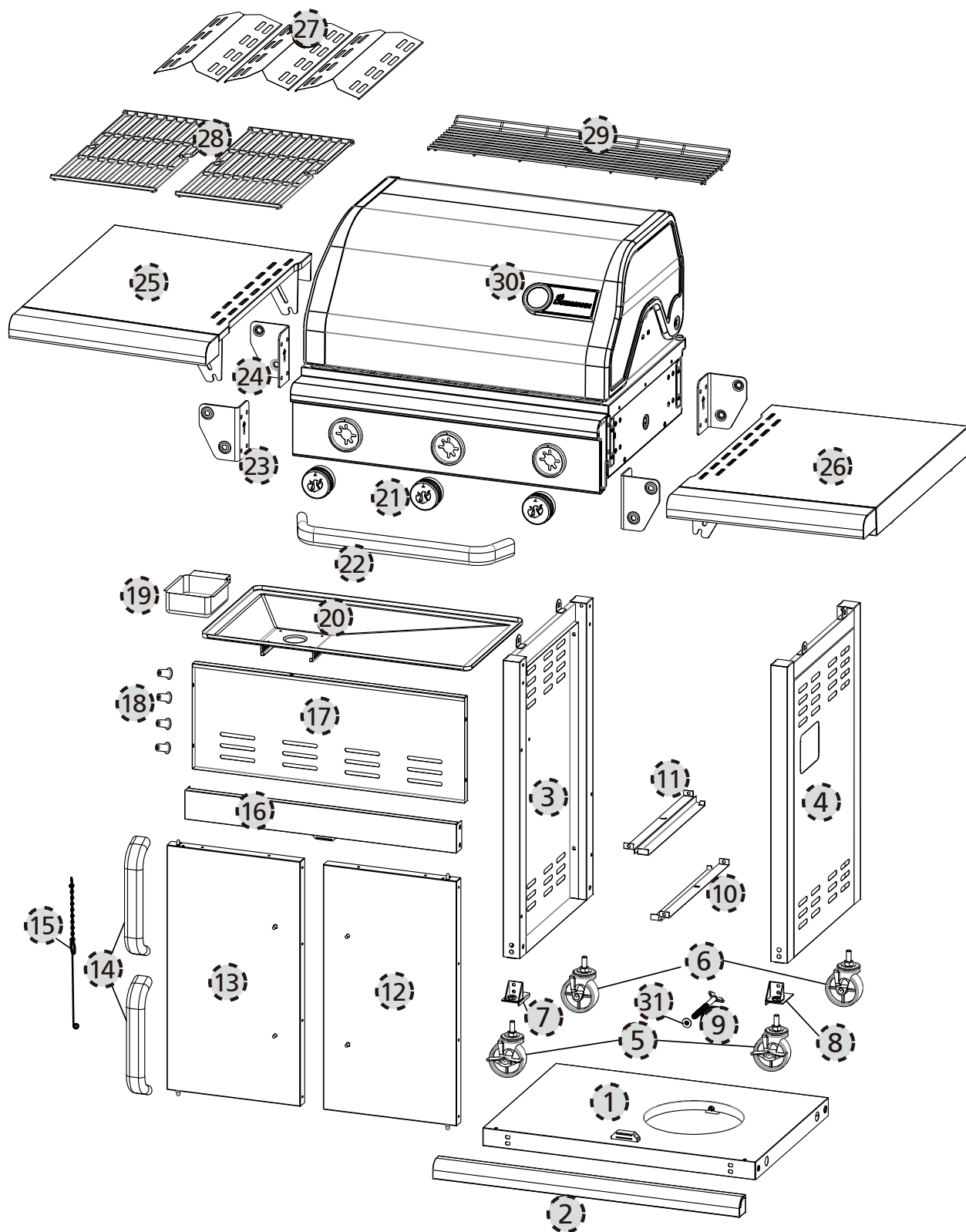


Contenido del empaque

Pieza	Descripción	Cantidad
1	Panel de base del carrito	1
2	Ajuste del frente de la base del carrito	1
3	Panel lateral izquierdo del carrito	1
4	Panel lateral derecho del carrito	1
5	Rueda con bloqueo	2
6	Rueda sin bloqueo	2
7	Soporte de rueda izquierdo	1
8	Soporte de rueda derecho	1
9	Perno de tanque de LP	1
10	Apoyo derecho de bandeja para grasa	1
11	Apoyo izquierdo de bandeja para grasa	1
12	Derecha puerta de carrito	1
13	Izquierda puerta de carrito	1
14	Manguito de puerta de carrito	2
15	Herramienta y cadena de encendido con fósforos	1
16	Cruceta estable arriba del carrito	1
17	Panel trasero del carrito	1
18	Manguito de empuñadura de puerta de carrito	1
19	Engrasador	1
20	Bandeja de grasa	1
21	Perilla de control	5
22	Bisel de perilla de control	1
23	Panel de control de quemador lateral	1
24	Panel de control de estante lateral	1
25	Estante de quemador lateral	1
26	Estante lateral izquierdo	1
27	Capuchas de calor	4
28	Parrilla de cocción	2
29	Rejilla para calentar	1
30	Ahumadero de parrilla	1
31	Manguito de tapa	1
32	Rejilla de quemador lateral	1
33	Tapa de perno de tanque de LP	1



Contenido del empaque









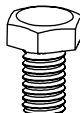


Preparación

Antes de comenzar el montaje de esta parilla, quite todo el material de embalaje y verifique que todas las piezas del montaje estén incluidas (ver Contenidos del paquete en la página 6). Si alguna pieza falta o está dañada, NO intente montar el producto.

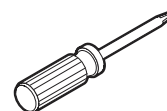
Tiempo aproximado de montaje: 45 minutos con dos personas.

Herramientas necesarias: Destornillador de tornillos con cabeza Phillips.

Contenido de tornillería

A	B	C	D	E	F	G
						
M4 x 10 x 16	M6 x 12 x 30	M6 x 18 x 8	M5 x 10 x 1	M4 x 8 x 1	M6 x 10 x 4	M10 x 12 x 2
H						
	Wrench x 1					
x 2						


Herramientas necesarias

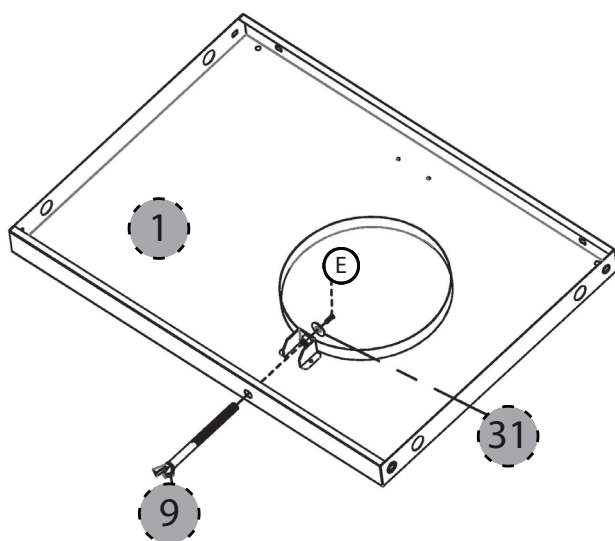
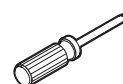


Destornillador Phillips de dos puntos

Instrucciones de montaje

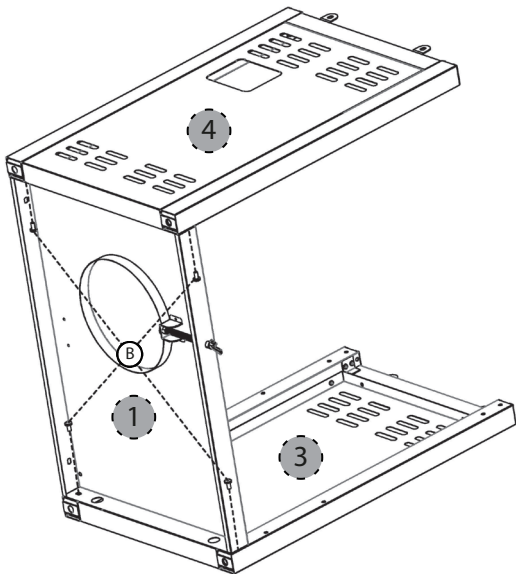
1.


 E M4X8 mm Screw (x1)

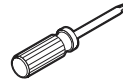


Instrucciones de montaje


2.

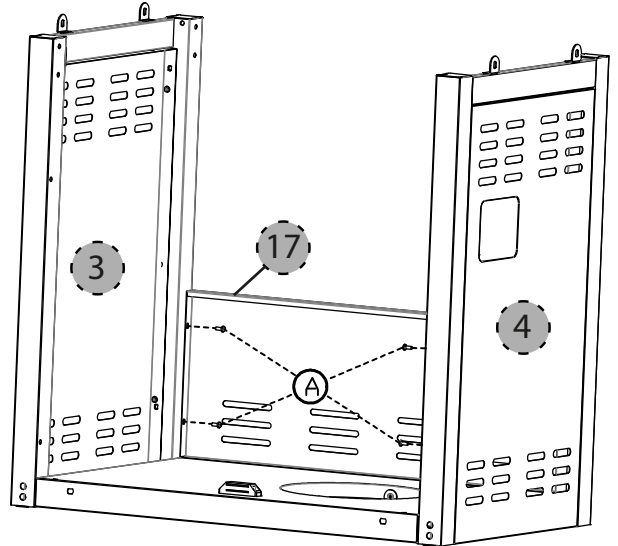
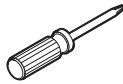


 B M6X12 mm Screw (x4)




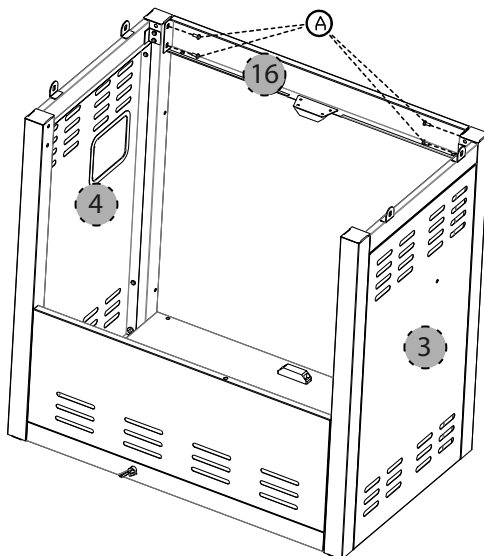
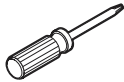
3.

 A M4X10 mm Screw (x4)



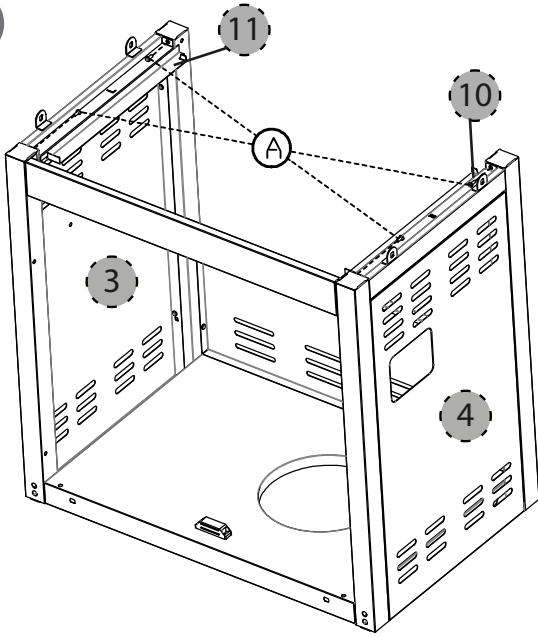
4.

 A M4X10 mm Screw (x4)

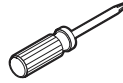


Instrucciones de montaje

5.



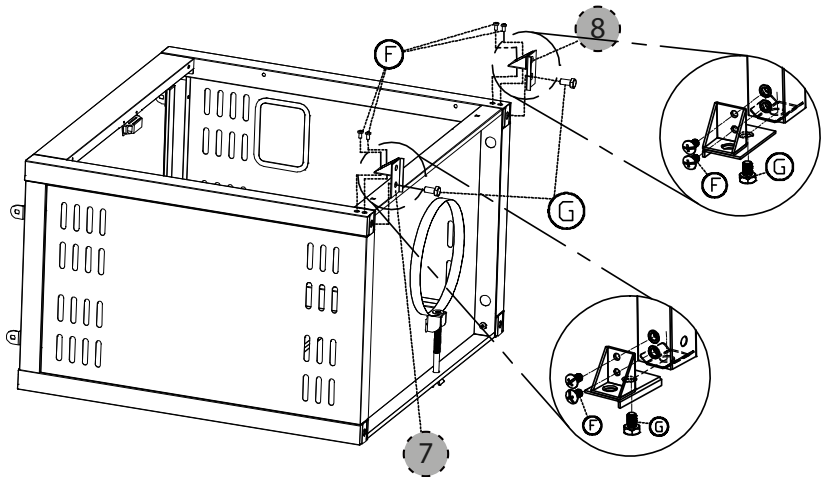
A M4X10 mm Screw (x4)



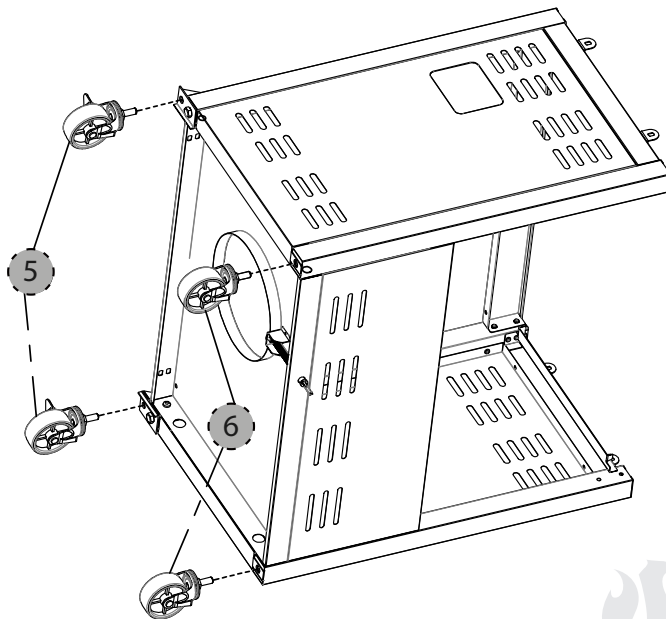
6.

F M6X10 mm Screw (x4)

G M10X12 mm Screw (x2)



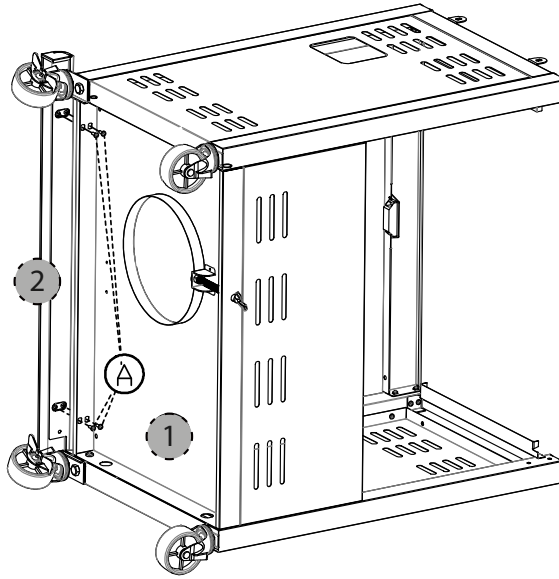
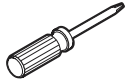
7.



Instrucciones de montaje

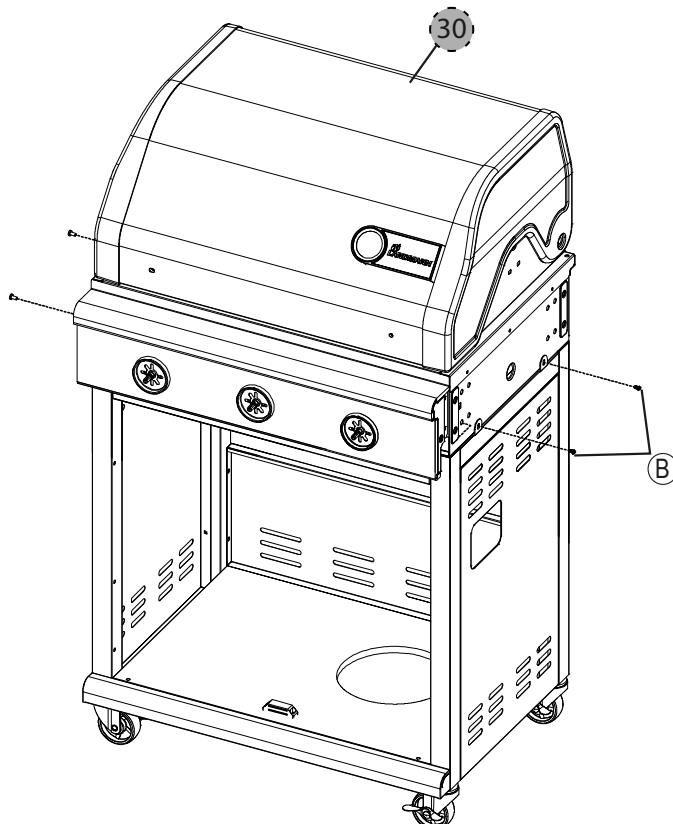
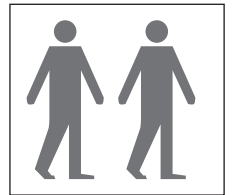
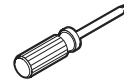
8.

A M4X10 mm Screw (x4)



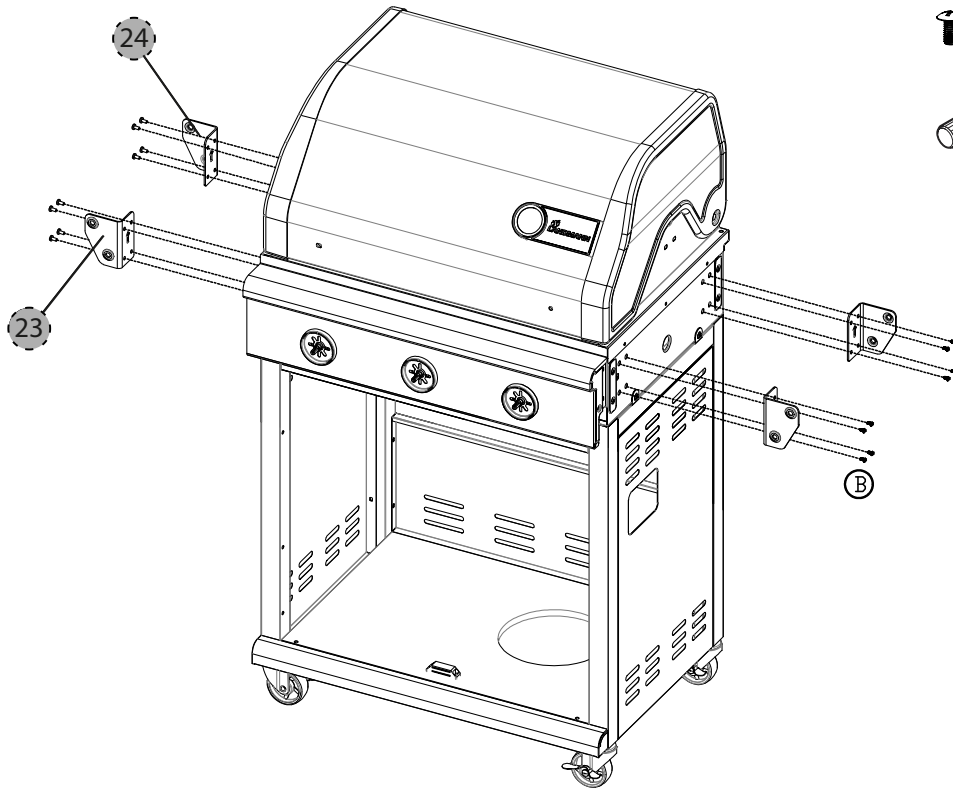
9.

B M6X12 mm Screw (x4)

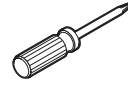


Instrucciones de montaje

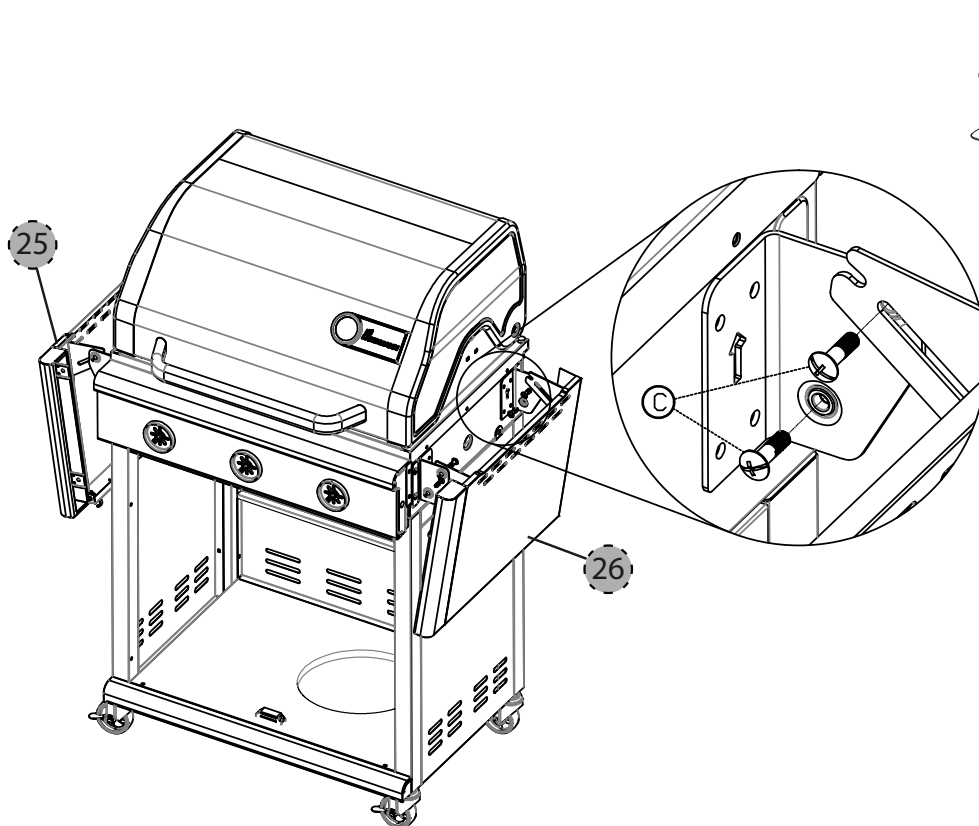
10.



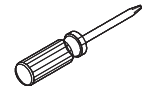
B M6X12 mm Screw (x16)



11.



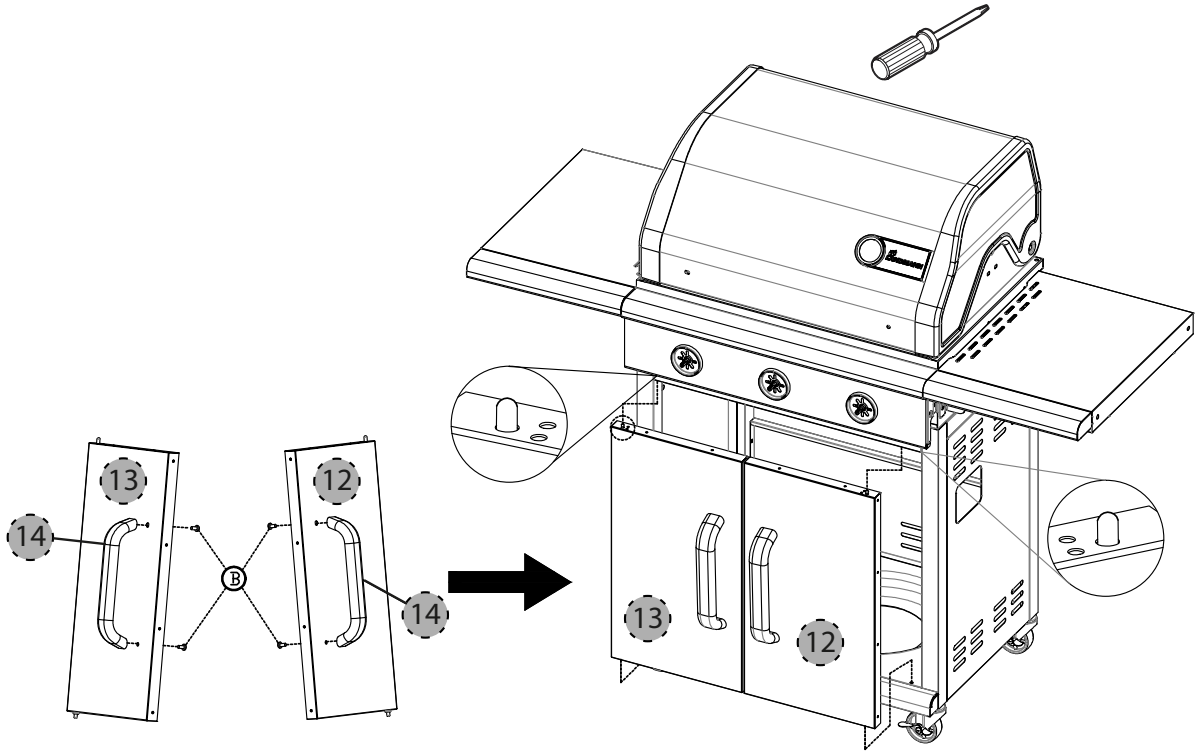
C M6X18 mm Screw (x8)



Instrucciones de montaje

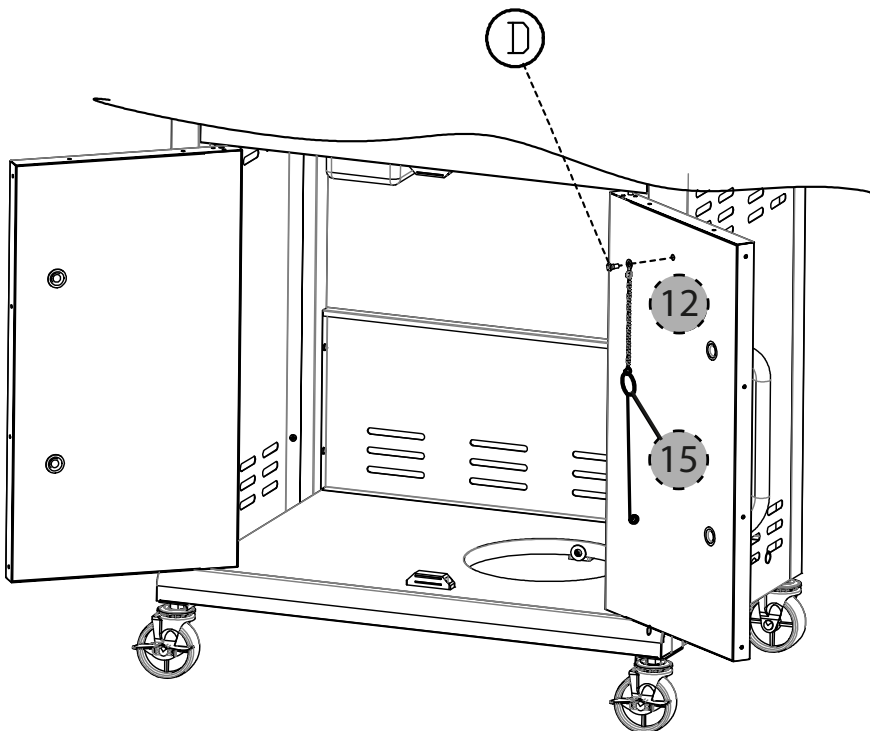
12.

B M6X12 mm Screw (x4)



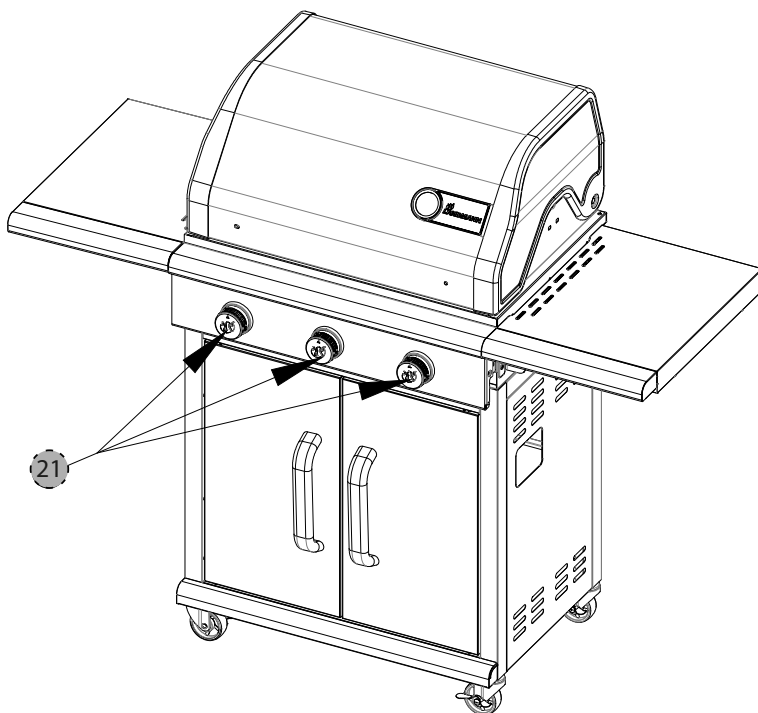
13.

D M5X10 mm Screw (x1)

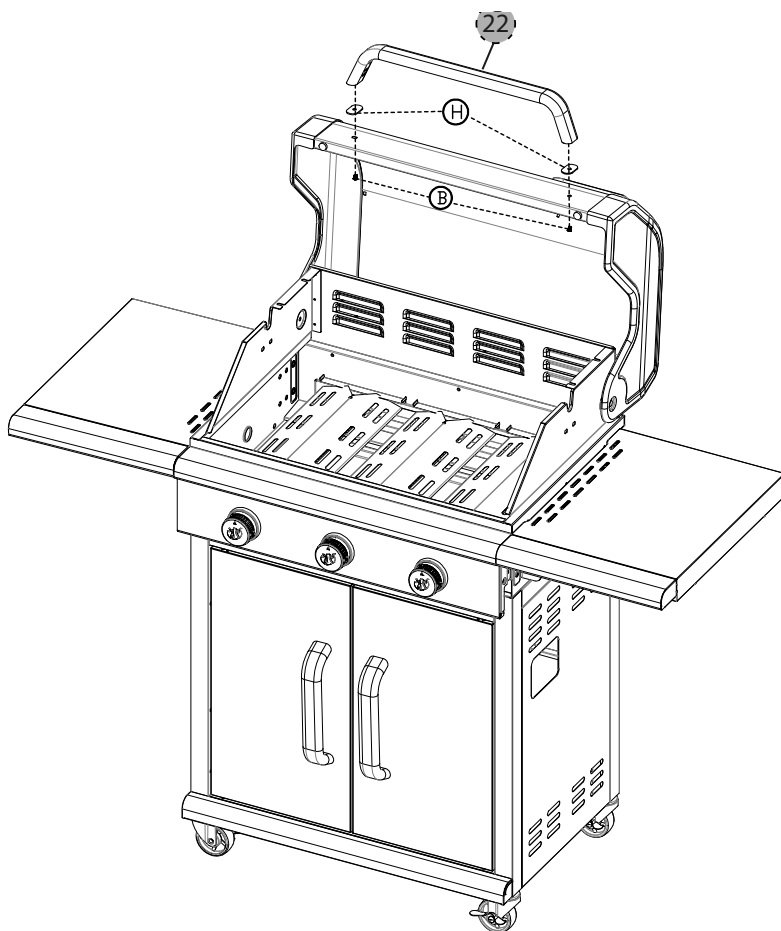



Instrucciones de montaje

14

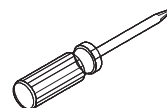


15.



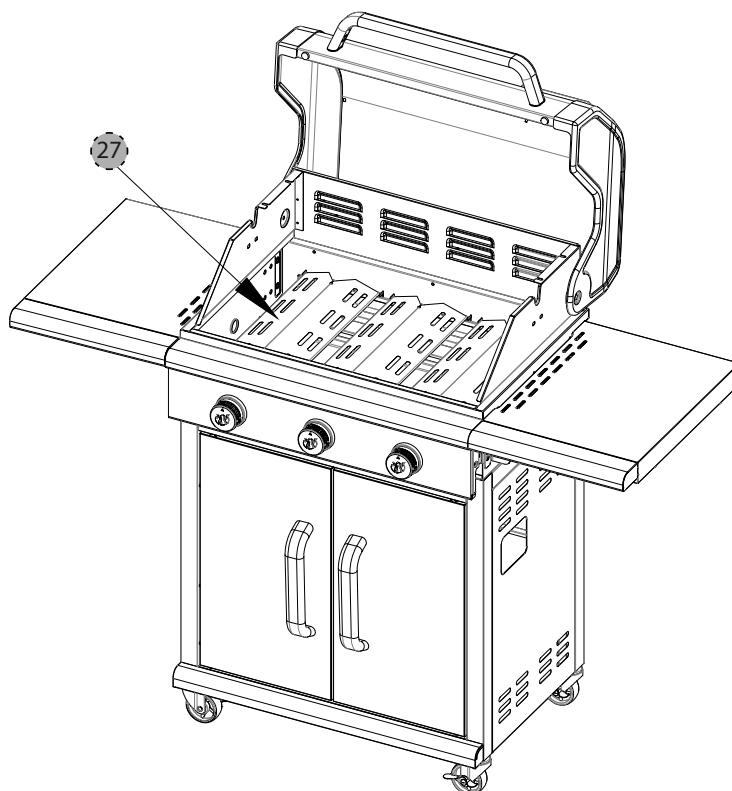
 B M6X12 mm Screw (x2)

 H (x2)

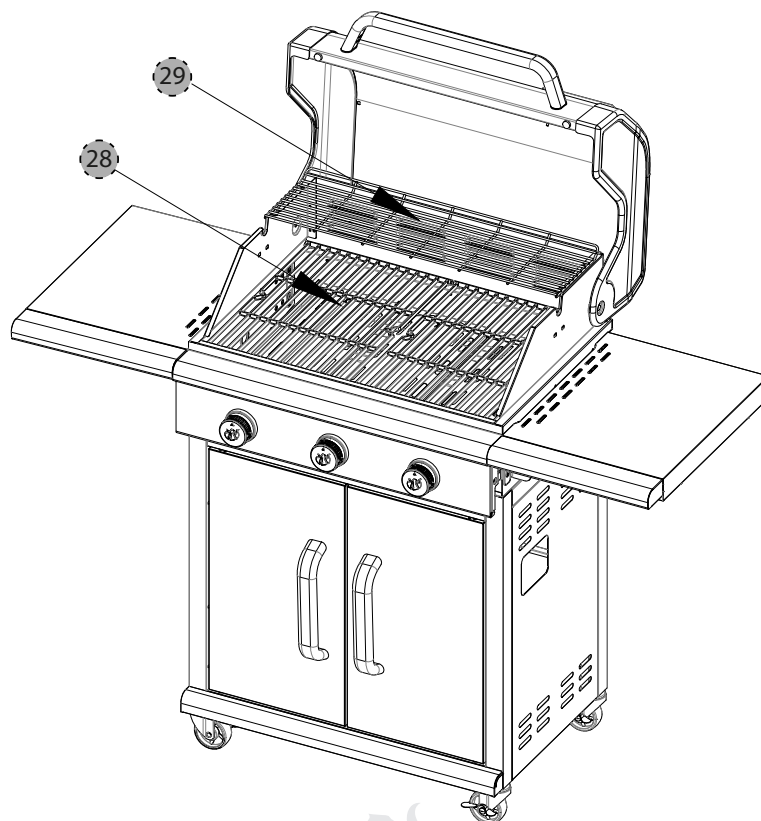


Instrucciones de montaje

16.

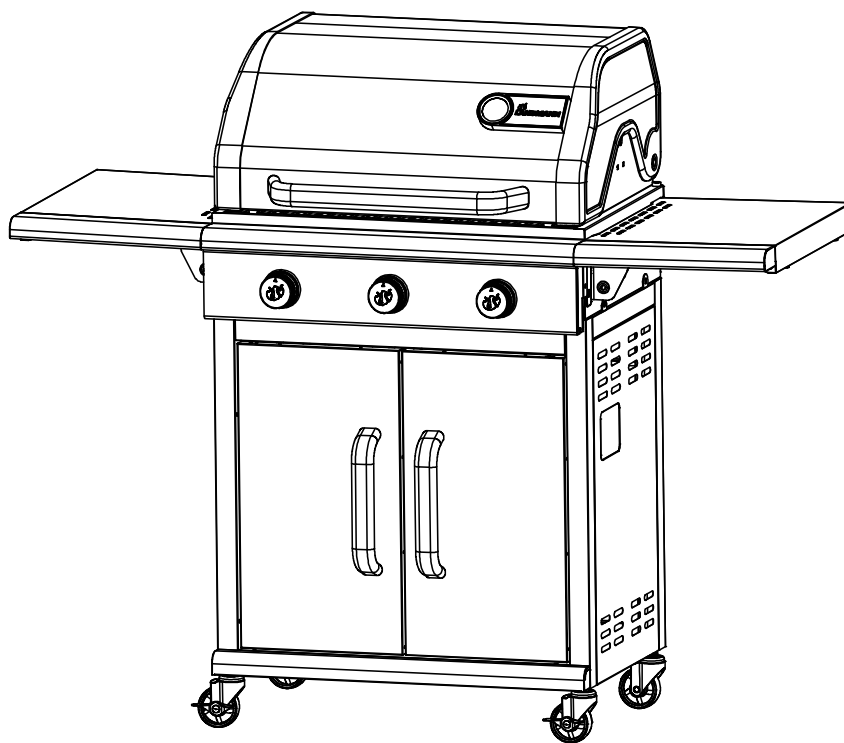
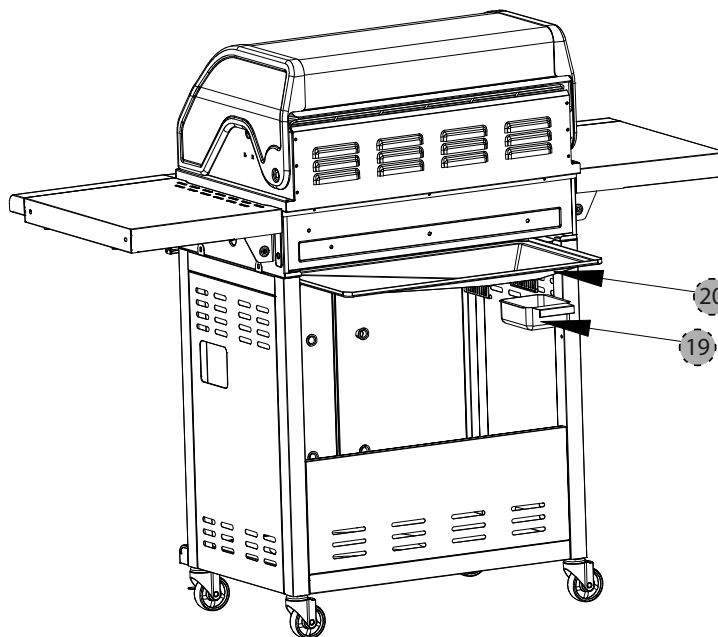


17



Instrucciones de montaje

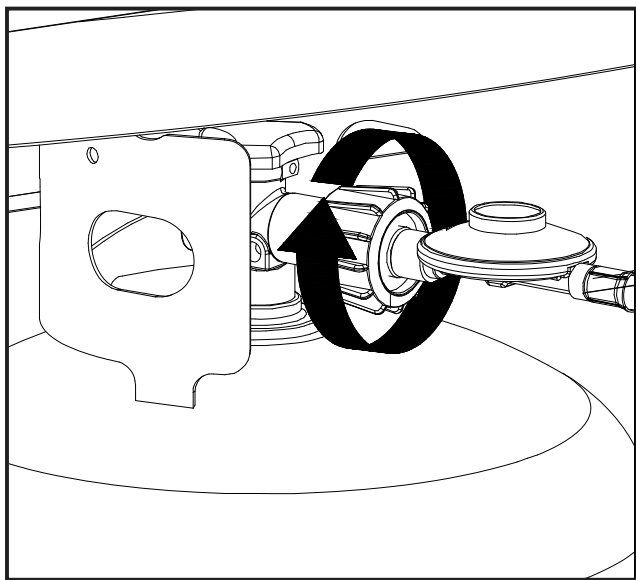
18




Conexión del tanque de gas

1. **SIEMPRE** coloque el tanque de gas en el portatanque que se encuentra debajo del carro.
2. Antes de abrir el suministro de gas, asegúrese **SIEMPRE** de que las perillas de control de todos los quemadores estén en posición • **APAGADO**.
3. Antes de conectarlo asegúrese de que no haya residuos atrapados en la cabeza del tanque de gas, la válvula del regulador ni en la cabeza y los orificios del quemador.
4. Conecte **SIEMPRE** los reguladores del suministro de gas de la siguiente manera: Inserte el manguito de unión del acoplador de la válvula en la válvula del tanque y apriete el collarín de conexión girándolo en el sentido de las manecillas del reloj con una mano mientras sujeta el regulador con la otra mano.
5. Desconecte el tanque de propano de la válvula del regulador cuando no use la parrilla.
6. **NO** obstruya el flujo del aire de combustión y de ventilación a la parrilla.
7. Mantenga las aberturas de ventilación del compartimento del tanque sin residuos.

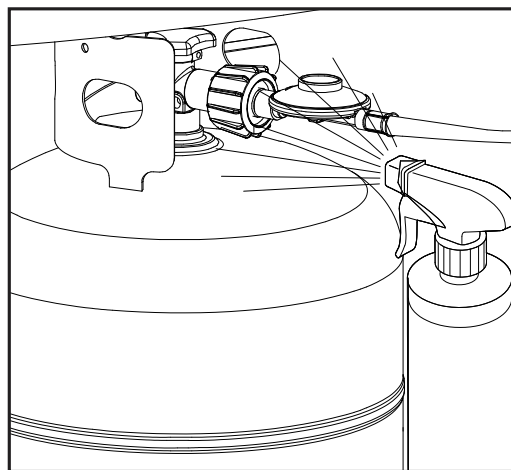
Asegúrese de que el dispositivo de conexión de la válvula del cilindro encaje adecuadamente y de manera segura en el dispositivo de conexión unido a la entrada del regulador de presión.



 PELIGRO	<p>Para evitar el riesgo de incendio o explosión, cuando compruebe si hay alguna fuga:</p> <ol style="list-style-type: none">1. Realice SIEMPRE la “prueba de fugas” antes de encender la parrilla y cada vez que conecte el tanque para usarlo.2. NO fume ni permita que haya otras fuentes de ignición en el área mientras realiza la prueba de fugas.3. Haga la prueba de fugas en exteriores, en un área bien ventilada.4. NO use fósforos, encendedores ni llamas para comprobar si existen fugas.5. NO use la parrilla sino hasta que detenga todas las fugas. Si no puede detener una fuga, desconecte el suministro de propano y llame para solicitar servicio para la parrilla o llame a su proveedor de gas propano.
---	---

Revisión de la presencia de fugas

1. Prepare de 2 a 3 onzas de una solución para detectar fugas mezclando una parte de jabón líquido para vajillas y tres partes de agua.
2. Asegúrese de que todas las perillas de control estén en la posición • **APAGADO**.
3. Rocíe la solución en la válvula del tanque hasta la conexión de la misma. (Vea el diagrama a continuación).
4. Observe si la solución forma burbujas en las conexiones. Si no aparecen burbujas, la conexión es segura.
5. Si aparecen burbujas es que hay una fuga. Continúe con el paso 6.
6. Desconecte el regulador del tanque y vuelva a conectarlo. Asegúrese de que la conexión esté apretada y firme.
7. Vuelva a hacer la prueba con la solución.
8. Si aparecen burbujas “crecientes”, no use ni mueva el tanque de PL. Comuníquese con un distribuidor de gas PL o el Departamento de Bomberos.





Instrucciones para el encendido

Antes de usar por primera vez, es importante limpiar la parrilla con calor. Esto limpiará las partes internas al quemar todos los residuos y olores del proceso de fabricación. Para realizar la limpieza, ponga a funcionar la parrilla aproximadamente 15-20 minutos al calor máximo, con la cubierta cerrada.


IMPORTANTE

Por favor, lea estas instrucciones antes de intentar encender la parrilla.

 ADVERTENCIA	No abrir la cubierta antes de encender la parrilla puede provocar una llamarada explosiva que puede causar lesiones graves o la muerte.
---	---

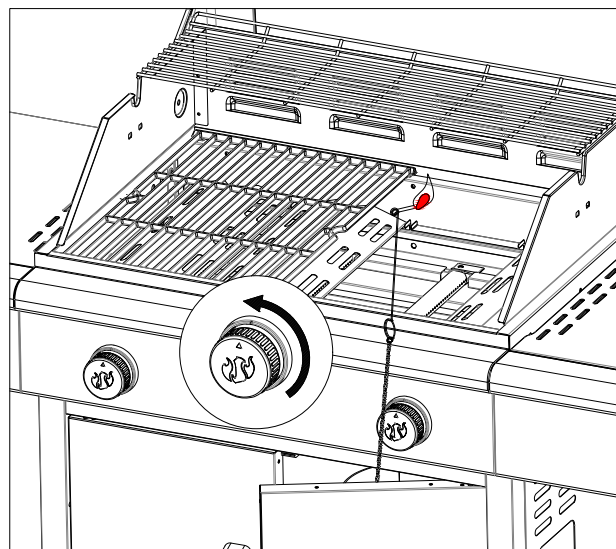
 ADVERTENCIA	NO se apoye sobre la parrilla abierta cuando la encienda.
---	--

1. Abra la tapa.
2. Asegúrese de que todas las perillas del quemador estén en la posición apagado "OFF".
3. Encienda el suministro de gas.
4. Empuje y gire cualquier perilla del quemador principal a la posición máxima "**Max**".
5. Si el quemador no enciende, después inmediatamente gire la perilla de control de vuelta a la posición "**OFF**" y repita el paso 4 varias veces.
6. Si la llama de encendido y el quemador no se enciende en 5 segundos, gire la perilla de control a la posición "**OFF**" y espere 5 minutos para que se disipe el gas y luego repita el paso 4.

 ADVERTENCIA	No esperar cinco minutos puede ocasionar una llamarada explosiva que puede provocar lesiones graves o la muerte.
---	--

7. Para apagar un quemador, presione la(s) perilla(s) de control y gírelas en el sentido de las manecillas del reloj a la posición • **APAGADO**.

Encendido con fósforos.



Nota: El implemento para encender con fósforos (W) se ubica en la parte interna de la puerta (K).

1. Coloque todas las perillas de control de gas en posición • **APAGADO**.
2. Abra la válvula de la fuente de gas.
3. La cubierta **DEBE** estar abierta durante el encendido.
4. Retire el implemento para encender con fósforos e introduzca uno en el extremo del dispositivo.
5. Encienda el fósforo.
6. Una vez que esté encendido, diríjalo hacia debajo de la parrilla.
7. Oprima y gire la perilla de control hacia **ALTO** del quemador que esté más cerca del fósforo encendido. El quemador se debe encender inmediatamente.
8. Ajuste la perilla de control del quemador a la temperatura de cocción deseada.



Cuidado y mantenimiento

Por favor, siga las indicaciones siguientes para mantener su parrilla limpia y que luzca como nueva. Antes de limpiar, asegúrese de que todos los quemadores estén en la posición • **APAGADO** y que la parrilla esté fría al tocarla.

Limpieza del exterior de la parrilla


Para las superficies pintadas limpie bien con una solución caliente de agua y detergente. Enjuague con agua y deje secar por completo.


Para las superficies de acero inoxidable, utilice un limpiador para acero inoxidable de buena calidad.

- Al limpiar, siempre frote o limpie en dirección del grano del acero inoxidable.
- Para las manchas difíciles, limpie siempre en dirección del grano del acero inoxidable.
- **NO** limpie el acero inoxidable con nada que contenga algún ácido, disolvente o xileno.
- **NO** use cepillo de alambre ni ningún limpiador abrasivo en la superficie de acero inoxidable, ya que esto rayaría el acabado de acero inoxidable.


Limpieza del interior de la parrilla

Por seguridad y eficiencia, es importante retirar cualquier desecho o exceso de grasa que pueda acumularse dentro de la parrilla.

 ADVERTENCIA	Si utiliza un cepillo para limpiar superficies de cocina, procure que no queden cerdas sueltas en dicha superficie, ya que estas a veces pueden quedar en los alimentos.
---	--

 PRECAUCIÓN	No deje gotas ni restos de alimentos en el calentador superior ni la bandeja de grasa. Limpie periódicamente para garantizar un rendimiento adecuado en la cocina.
--	--

- Limpie el recubrimiento interno de la tapa con una toalla de papel para evitar que se acumule grasa.
- Para los calentadores superiores de acero inoxidable, limpie los residuos con un cepillo de alambre o rasqueta plana.
- Quite el recipiente para grasa y vacíelo en un recipiente adecuado. Luego limpie con una toalla de papel para quitar el excedente de grasa.
- Quite la bandeja de grasa de la parrilla y limpie los residuos con un cepillo de alambre o rasqueta plana, luego limpie con una toalla de papel para quitar la grasa excedente.

 PRECAUCIÓN	NO forre con papel aluminio el interior de la bandeja para la grasa.
--	---

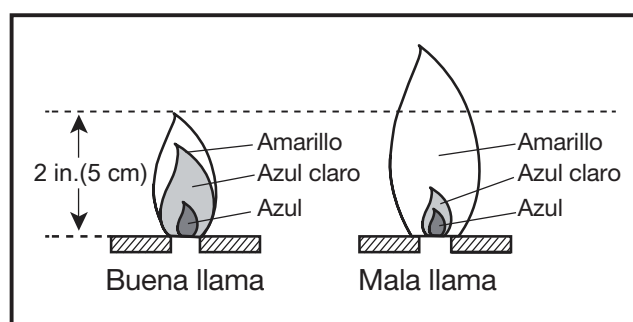
Revisión de la manguera

La manguera se debe revisar periódicamente para identificar cualquier indicio de grietas, rayones, cortes o abrasiones.

- Si se la manguera está dañada de alguna forma, **NO** use la parrilla.
- Debe sustituirla con una manguera certificada según se indica en la sección de piezas de repuesto.

Revisión de la llama

La llama que sale de los quemadores debe ser de una combinación de azul y amarillo, y tener una altura de una a dos pulgadas (ver a continuación).



Para retirar un quemador

Asegúrese de que todas las perillas de control estén en posición • **APAGADO**, que la válvula de suministro de gas PL esté cerrada y que la manguera del gas esté desconectada del suministro de gas.

1. Abra la tapa y retire el estante calentador, las rejillas de cocción y los calentadores superiores.
2. Con un destornillador Phillips de 2 pt, afloje el tornillo que sostiene el quemador en la parte posterior de la parrilla. **Nota:** esta es una combinación de destornillador/tuerca, de modo que debe procurarse sostener la tuerca mientras se afloja el tornillo.
3. Deslice el quemador hacia adelante y levántelo para sacarlo del fogón.
4. Destornille el electrodo y el alambre del quemador.

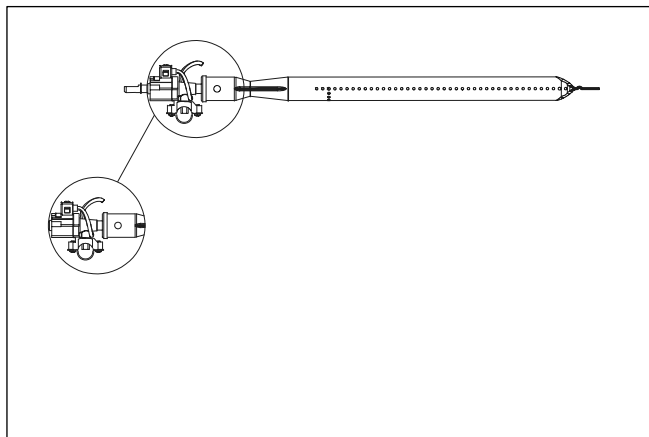
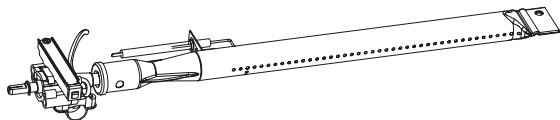
Para limpiar el quemador

- Asegúrese de que ninguno de los puertos de los quemadores tenga una obstrucción. **Consejo:** Para desatascar, utilice un alfiler o un clip.
- Asegúrese de que el quemador no esté dañado. Si observa algún daño, sustituya el quemador.
- Procure que el extremo del quemador y los orificios principales de salida de aire no tengan nidios de insectos, polvo o suciedad.

Cuidado y mantenimiento

Para reinstalar el quemador

1. Asegúrese de que los orificios de la válvula de gas estén colocados correctamente dentro de la entrada del quemador.
2. Vuelva a colocar la unidad perno/tuerca.
3. Vuelva a ajustar el tornillo y la tuerca.
4. Vuelva a posicionar los calentadores superiores, los estantes de cocción y el estante calentador.



Métodos de cocción y consejos para asar a la parrilla

Calor infrarrojo

Utilice el quemador infrarrojo para dorar los alimentos rápidamente sin perder los jugos ni el sabor. Los alimentos se pueden cocinar por completo solo con el quemador infrarrojo, o bien puede usar el quemador infrarrojo para dorar los alimentos por fuera y luego terminar de cocinar en los quemadores regulares de la parrilla.

- Dado el intenso calor del quemador para dorar, los alimentos pueden quemarse rápidamente, esté siempre atento cuando use el quemador para dorar y no deje olvidados los alimentos.
- Cuando cocina con este método, la tapa puede estar hacia arriba o hacia abajo.

Calor directo

Calor directo significa que los alimentos se colocan sobre la parrilla directamente sobre los quemadores encendidos.

- La posición de la cubierta puede ser o abierta o cerrada.
- Si la cubierta está abierta, por lo general el tiempo de cocción puede ser mayor.
- El calor directo se usa para dorar los alimentos y sellar los jugos naturales al cocinarlos con calor intenso durante un breve periodo de tiempo. El exterior del alimento queda dorado con un recubrimiento asado lleno de sabor.

Calor indirecto

Cocinar con calor indirecto significa que los alimentos se colocan sobre la parrilla sobre un quemador sin calentar, lo que permite que el calor de los quemadores que estén encendidos a su alrededor los cocinen.

- Para obtener los mejores resultados, encienda dos quemadores y cocine con la cubierta cerrada. Esto reducirá el tiempo de cocción.
- **NO** opte por cocinar con calor indirecto cuando haga viento.

Antes de asar

- Asegúrese de que los alimentos estén completamente descongelados antes de ponerlos a asar.
- Cuando la tapa esté cerrada, precaliente la parrilla al máximo (con todos los quemadores) durante aproximadamente 5-10 minutos.
- **NO** levante la tapa durante el proceso de precalentamiento.
- El proceso de precalentamiento con calor alto es necesario para dorar y sellar los jugos en los alimentos.


- Para la carne y las aves con alto contenido de grasa, retire el exceso de grasa y reduzca el tiempo de precalentamiento. Ambas cosas reducirán las llamaradas de la grasa que gotee.
- Engrase ligeramente las rejillas para cocinar cuando se trate de carne de bajo contenido en grasa, pescado o aves. Tenga en cuenta que usar demasiado aceite puede producir ceniza gris que caiga sobre los alimentos.

Calor directo

- El indicador de temperatura que está en la cubierta indica la temperatura dentro de la parrilla para cocinar.
- De ser posible, voltee los alimentos sólo una vez. Los jugos se pierden cuando la carne se voltea varias veces.
- Voltee la carne justo cuando los jugos empiecen a aparecer en la su superficie.
- Evite pinchar o cortar la carne para ver si tiene el punto deseado. Eso hace que los jugos se salgan.
- Agregue la salsa barbacoa sólo durante los últimos 10 minutos de cocción para evitar que se quemem.
- El punto deseado de la carne se controlará según el tipo de carne, su tamaño, su forma y su grosor, el calor o el método de cocción, así como el tiempo que esté en la parrilla.
- El tiempo de cocción será mayor si la cubierta está abierta.
- Deje más tiempo de cocción cuando haga frío o viento o en altitudes mayores. Por el contrario, deje menos tiempo de cocción en condiciones extremas de calor.
- Las condiciones para asar pueden requerir ajustar los quemadores para así obtener y mantener las temperaturas correctas de cocción.
- Amontonar los alimentos en la rejilla para cocinar hará que estos necesiten más tiempo para cocinarse.
- Use tenazas para voltear y manejar la carne, en lugar de un tenedor, a fin de evitar que se pierdan los jugos de la carne.
- Si se produce una llamarada, apague los quemadores • **APAGADO** y mueva los alimentos a otra área de la rejilla para cocinar. Una vez que las llamas disminuyan, vuelva a encender los quemadores siguiendo las instrucciones correspondientes en este manual.
- **NUNCA** use agua para extinguir las llamas de una parrilla de gas.

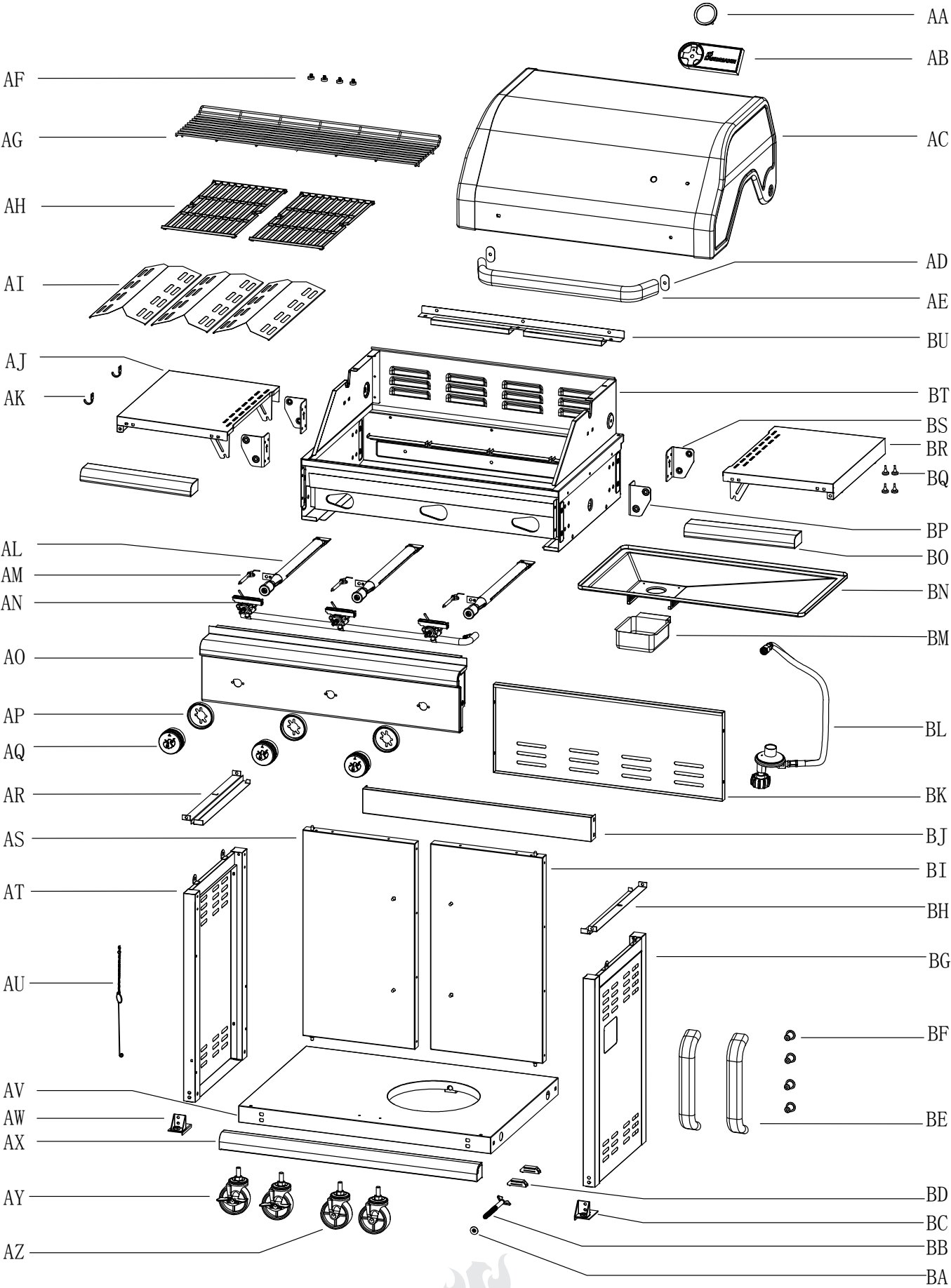


Resolución de problemas

Problema	Causa	Solución
La parrilla no se enciende.	<ol style="list-style-type: none"> 1. La válvula del tanque de PL está cerrada. 2. El nivel de gas del tanque de PL está bajo. 3. La pila del encendedor no está instalada adecuadamente o es necesario cambiar la pila. 4. Puede ser que sea necesario encender con un fósforo. 5. Las conexiones al encendedor o los electrodos están flojos. 6. Es posible que los electrodos estén mojados. 7. Hay residuos que obstruyen los electrodos. 8. No se ve una chispa en la punta del encendedor. 	<ol style="list-style-type: none"> 1. Abra la válvula del tanque de PL. 2. Sustituya el tanque de PL. 3. Instale correctamente o sustituya la pila del encendedor. 4. Encienda la parrilla con fósforo según las instrucciones de este manual. 5. Reconecte o sustituya el cableado del encendedor o los electrodos. 6. Seque los electrodos con un paño seco. 7. Limpie los electrodos con alcohol y vuelva a intentarlo. 8. Reemplace el encendedor.
La llama no permanece encendida.	<ol style="list-style-type: none"> 1. La válvula del tanque de PL está cerrada. 2. El nivel de gas del tanque de PL está bajo. 3. El quemador no está instalado correctamente o está sucio. 	<ol style="list-style-type: none"> 1. Abra la válvula del tanque de PL. 2. Sustituya el tanque de PL. 3. Vuelva a instalar correctamente el quemador y limpie cualquier residuo.
La llama es débil, es irregular o hace ruido.	<ol style="list-style-type: none"> 1. El nivel de gas del tanque de PL está bajo. 2. Procedimiento de encendido incorrecto. 3. Los puertos del quemador pueden estar obstruidos. 4. La manguera de suministro de gas puede estar doblada o retorcida. 5. La parrilla puede estar en un área demasiado ventosa. 6. Hay obstrucciones como residuos de grasa o insectos en las entradas de aire. 	<ol style="list-style-type: none"> 1. Reemplace el cilindro de propano. 2. Desconecte el regulador de la manguera de PL del tanque de PL, vuelva a conectar y siga el procedimiento de encendido tal como se indica. 3. Si solo hay un quemador afectado, verifique y limpie los puertos del quemador. 4. Enderece la manguera de suministro de gas. 5. Espere a que el viento se calme para continuar. 6. Quite las obstrucciones de las entradas de aire del quemador.
Llamaradas en exceso <div style="border: 1px solid black; padding: 5px; margin-top: 10px;"> <div style="text-align: center;">  <p>PRECAUCIÓN</p> </div> <p>NO rocíe agua sobre las llamas del gas, ya que esto podría dañar la parrilla</p> </div>	<ol style="list-style-type: none"> 1. Las llamaradas normalmente son causadas por un exceso de grasa de la carne que se esté asando. 2. La parrilla está sucia. 3. La temperatura de cocción quizás está demasiado alta. 4. La cubierta está cerrada. 5. Los alimentos quedan sobrecocidos o quemados. 6. Horno la bandeja y el recipiente para la grasa están llenos de grasa. 	<ol style="list-style-type: none"> 1. Quite grasa de la carne que vaya a asar. 2. Asegúrese de que la parrilla esté limpia. 3. Mantenga baja la llama o apague un quemador. 4. Mantenga la cubierta abierta cuando esté asando para así evitar demasiadas llamaradas. 5. Ponga los alimentos en la rejilla para calentar hasta que las llamas se hayan reducido. 6. Limpie horno la bandeja y el recipiente para la grasa.
La parrilla no se calienta lo suficiente.	<ol style="list-style-type: none"> 1. El nivel de gas del cilindro de propano es bajo. 2. El dispositivo limitador de flujo de gas puede haberse activado. 	<ol style="list-style-type: none"> 1. Reemplace o rellene el cilindro de propano. 2. Cierre las perillas de control y la válvula del cilindro de propano. Desconecte el regulador del cilindro de propano. Inspeccione y limpie el adaptador y el regulador del cilindro de propano. Espere 1 minuto. Vuelva a conectar el regulador y realice la prueba de fugas. Encienda la parrilla según el procedimiento de encendido exacto.



Repuestos



Repuestos

Pieza	Descripción	Cantidad	Pieza #	Pieza	Descripción	Cantidad	Pieza #
AA	Termómetro 2.25"	1	PC0101	BU	Cruce de llama	1	PC0183
AB	Placa de logo	1	PC0102				
AC	Tapa de la parrilla	1	PC0159				
AD	espaciador aislante de manguito de tapa	2	PC0112				
AE	Manguito de tapa	1	PC0116				
AF	Tope de goma	4	PC0155				
AG	Rejilla para calentar	1	PC0154				
AH	Parrilla de cocción	2	PC0173				
AI	Capuchas de calor	3	PC0174				
AJ	Estante lateral plegable izquierdo	1	PC0175				
AK	Gancho para herramienta estante lateral	2	PC0150				
AL	Quemador principal	3	PC0114				
AM	Electrodo de quemador principal	3	PC0115				
AN	Montaje de válvula y colector	1	PC0176				
AO	Panel de control	1	PC0177				
AP	Bisel de perilla de control	3	PC0146				
AQ	Perilla de control	3	PC0145				
AR	Apoyo izquierdo de bandeja para grasa	1	PC0189				
AS	Izquierda puerta de carrito	1	PC0126				
AT	Panel lateral izquierdo del carrito	1	PC0162				
AU	Herramienta y cadena de encendido con fósforos	1	PC0156				
AV	Panel de base del carrito	1	PC0163				
AW	Soporte de rueda izquierdo	1	PC0164				
AX	Ajuste del frente de la base del carrito	1	PC0165				
AY	Rueda con bloqueo	2	PC0135				
AZ	Rueda sin bloqueo	2	PC0134				
BA	Tapa del extremo de perno de tanque de LP	1	PC0130				
BB	Perno de tanque de LP	1	PC0129				
BC	Derecha soporte de rueda	1	PC0166				
BD	Iman de puerta de carrito	2	PC0131				
BE	Manguito de puerta de carrito	2	PC0137				
BF	Manguito de empuñadura de puerta de carrito	4	PC0138				
BG	Panel lateral derecho del carrito	1	PC0167				
BH	Apoyo derecho de bandeja para grasa	1	PC0190				
BI	Derecha puerta de carrito	1	PC0125				
BJ	Cruceta estable arriba del carrito	1	PC0168				
BK	Panel trasero del carrito	1	PC0169				
BL	Manguera y regulador	1	PC0118				
BM	Engrasador	1	PC0143				
BN	Bandeja de grasa	1	PC0144				
BO	Frente de estante lateral plegable	1	PC0178				
BP	Soporte de estante lateral plegable A	1	PC0179				
BQ	Tope de goma	1	PC0191				
BR	Estante lateral plegable a la derecha	1	PC0180				
BS	Soporte de estante lateral plegable B	1	PC0181				
BT	Ahumadero de parrilla	1	PC0182				

Piezas no se muestran

Manual de instrucciones	1	PC0187
Paquete de tornillería	1	PC0188



Garantía

Se garantiza que estaparrilla a gas propanolíquido no tienedefectosensusmaterialesnimano de obracuando-estáensambladacorrectamente y se usaen un ámbitodoméstico normal, con loscuidados que se indicanenes-tasinstruccionesdurante un 5 años en los quemadores principales y durante 2 años y todas las demás partes desde la fecha de la compra original al por menor.

La únicaexcepciónaesto son losquemadorestubulares de aceroinoxidable que tienentres (3) años de garantía a partir de la fecha de la compraminorista original. Estagarantía no incluyecorrosión, rayas y decoloraciónporusoy cuidadoindebidos de estaparrilla.

Esta garantía no cubre daños o problemas en relación con negligencia, abuso, accidente, mal uso, mala aplicación, montaje inadecuado, daños causados en su traslado, uso comercial ni **CUALQUIER** modificaciónque se haga al producto. No cubre la mano de obra de reparación. Esta es la única garantía que se ofrece y se da en lugar de cualquier otra garantía, ya sea expresa o implícita, que incluya la garantía tácita, la≈comercialización o el uso para un propósito en particular.

Todas las piezas de repuesto que cumplan con los requisitos de la garantía serán enviadas sin costo alguno por el medio que el fabricante elija (envío terrestre, por correo de EE. UU., UPS o FedEx). Cualquier cargo especial por manejo (p. ej. envío de dos días, al día siguiente, etc.) será responsabilidad del consumidor.

Toda reclamación de garantía corresponde sólo al comprador original y requiere de comprobante de compra que especifique la fecha de la adquisición. No devuelva piezas sin haber obtenido primro el número de autorización de devolución de nuestro departamento de atención al cliente.

Puede comunicarse con nuestro departamento de atención al cliente llamando al 1-800-321-3473 entre las 8:00 a.m. y las 5:00 p.m. (EST), sólo en inglés, o enviando un correo electrónico a CustomerService@landmann-usa.com

Por favor, tenga en cuenta que en Estados Unidos algunos estados no permiten la exclusión o limitación de accidentes o de daños indirectos o limitaciones en la duración de una garantía implícita, por lo que puede ser las anteriores limitaciones o exclusiones no sean aplicables en su caso. Esta garantía le otorga derechos legales específicos y también es posible que tenga oros que puedan variar de un estado a otro.



Landmann USA, Inc.

7405 Graham Rd

Fairburn, Ga 302130

www.landmann-usa.com

