

This Owner's Manual is provided and hosted by [Appliance Factory Parts](#).



# Kenmore PG-40406S0L-1 Owner's Manual

[Shop genuine replacement parts for Kenmore  
PG-40406S0L-1](#)



[Find Your Kenmore Grill Parts - Select From 1425 Models](#)

----- Manual continues below part list -----

## Available Replacement Parts for Kenmore PG-40406S0L-1

<a href="#">40800118</a>	Gas grill side burner lid hinge pin
<a href="#">40800119</a>	Gas grill side burner grate
<a href="#">40800130</a>	Gas grill tank holder
<a href="#">40800131</a>	Gas grill grease cup clip
<a href="#">40900205</a>	Gas grill burner valve
<a href="#">40900210</a>	Gas grill gas hose
<a href="#">40900209</a>	Gas grill side burner valve
<a href="#">40700103</a>	Gas grill lid bumper
<a href="#">50300207</a>	Gas grill lid hinge pin
<a href="#">50300205</a>	Gas grill lid bumper
<a href="#">40700022</a>	Gas grill lid handle insulation plate
<a href="#">408D00115</a>	Gas grill regulator and hose
<a href="#">40300037</a>	Gas grill manifold
<a href="#">40800124</a>	Gas grill wheel
<a href="#">40800127</a>	Gas grill leg extension
<a href="#">40300104</a>	Gas grill warming rack
<a href="#">40300019</a>	Gas grill carryover tube
<a href="#">40900143</a>	Shelf
<a href="#">40900145</a>	Shelf
<a href="#">40100101</a>	Gas grill cooking grate
<a href="#">40600012</a>	Main burner
<a href="#">40600013</a>	Burner
<a href="#">40600026</a>	Left tray
<a href="#">40800026</a>	Gas grill grease cup
<a href="#">52200074</a>	Rail
<a href="#">110050</a>	Gas grill cotter pin
<a href="#">40800023</a>	Heat Diffuser

Use & Care Guide  
Manual de Uso y Cuidado  
English / Español

# Kenmore<sup>®</sup>

## Liquid Propane Gas Grill

### Parrilla a gas de propano líquido

Model/Modelo: PG-40406S0L-1

P/N 40600050A



DANGER

If you smell gas:

1. Shut off gas to the appliance.
2. Extinguish any open flame.
3. Open lid.
4. If odor continues, keep away from the appliance and immediately call your gas supplier or your fire department.

WARNING

1. Do not store or use gasoline or other flammable liquids or vapors in the vicinity of this or any other appliance.
2. An LP cylinder not connected for use shall not be stored in the vicinity of this or any other appliance.

**Please Contact Permasteel Customer Service For Help & Parts**

If you have questions or need assistance during assembly, Please call **1-888-287-0735. M – F 8:00 – 5:00 Pacific** You will be speaking to a Representative of the grill manufacturer.

**Product Record**

**IMPORTANT:** Fill out the product record information below.

Model Number \_\_\_\_\_

Serial Number \_\_\_\_\_  
See rating label on grill for serial number.

Date Purchased \_\_\_\_\_

CAUTION

For residential use only. Do not use for commercial cooking.

**Installation Safety Precautions**

- Please read this User’s Manual in its entirety before using the grill.
- Failure to follow the provided instruction can result in seriously bodily injury and/or property damage.
- Some parts of this grill may have sharp edges. Please wear suitable protective gloves.
- Use grill, as purchased, only with LP (propane) gas and the regulator/valve assembly supplied.
- Grill installation must conform with local codes, or in their absence of local codes, with either the National Fuel Gas Code, ANSI Z223.1/ NFPA 54, Natural Gas and Propane Installation Code, CSA B149.1, or Propane Storage and Handling Code, B149.2, or the Standard for Recreational Vehicles, ANSI A 119.2/NFPA 1192, and CSA Z240 RV Series, Recreational Vehicle Code, as applicable.
- All electrical accessories (such as rotisserie) must be electrically grounded in accordance with local codes, or National Electrical Code, ANSI / NFPA 70 or Canadian Electrical Code, CSA C22.1. Keep any electrical cords and/or fuel supply hoses away from any hot surfaces.
- This grill is safety certified for use in the United States and/or Canada only. Do not modify for use in any other location. Modification will result in a safety hazard.

**IMPORTANT:** This grill is intended for outdoor use only and is not intended to be installed in or on recreational vehicles or boats.

**NOTE TO INSTALLER:** Leave this User’s Manual with the customer after delivery and/or installation.

**NOTE TO CONSUMER:** Leave this User’s Manual in a convenient place for future reference.

**Safety Symbols**

The symbols and boxes shown below explain what each heading means. Read and follow all of the messages found throughout the manual.

DANGER

**DANGER:** Indicates an imminently hazardous situation which, if not avoided, will result in death or serious injury.

WARNING



**WARNING:** Indicates an potentially hazardous situation which, if not avoided, could result in death or serious injury.

CAUTION

**CAUTION:** Indicates a potentially hazardous situation or unsafe practice which, if not avoided, may result in minor or moderate injury.

## TABLE OF CONTENTS

For Your Safety . . .	. . . 2
Grill Service Center . . .	. . . 2
Product Record Information . . .	. . . 2
Installation Safety Precautions . . .	. . . 2
Safety Symbols . . .	. . . 2
Kenmore Grill Warranty . . .	. . . 4
Use and Care . . .	. . . 5-11
Parts List . . .	. . . 12
Parts Diagram . . .	. . . 13
Before Assembly . . .	. . . 14-17
Assembly . . .	. . . 18-28
Troubleshooting . . .	. . . 29-31

WARNING

Combustion byproducts produced when using this product include carbon monoxide, a chemical known to the State of California to cause birth defects or other reproductive harm. For more information go to [www.P65Warnings.ca.gov](http://www.P65Warnings.ca.gov)

---

## WARRANTY

### KENMORE LIMITED WARRANTY

**WITH PROOF OF SALE:** the following warranty coverage applies when this appliance is correctly installed, operated and maintained according to all supplied instructions. Note: Consumer is responsible for Shipping & handling of all warranty replacement parts.

**FOR ONE YEAR:** from the date of sale this grill is warranted against defects in material or workmanship, consumer will receive free replacement parts with proof of purchase, consumer is responsible for S&H cost.

**FOR FIVE YEARS:** from the date of sale, any stainless-steel burner that rusts through or burns through will be replaced, proof of purchase must be provided, consumer is responsible for Shipping & Handling cost.

All warranty coverage excludes ignitor batteries and grill part paint loss, discoloration or surface rusting, which are either expendable parts that can wear out from normal use within the warranty period, or are conditions that can be the result of normal use, accident or improper maintenance.

All warranty coverage is void if this appliance is ever used for other than private household purposes.

For warranty coverage details to obtain replacement parts, visit the web page: [www.permasteel.net](http://www.permasteel.net)

### **This warranty covers ONLY defects in material and workmanship, and will NOT pay for:**

1. Expendable items that can wear out from normal use within the warranty period, including but not limited to batteries, screw-in base light bulbs and surface coatings or finishes.
2. A service technician to clean or maintain this appliance, or to instruct the user in correct appliance installation, operation and maintenance.
3. Service calls to correct appliance installation not performed by Permasteel authorized service agents, or to repair problems with house fuses, circuit breakers, house wiring, and plumbing or gas supply systems resulting from such installation.
4. Damage to or failure of this appliance resulting from installation not performed by Permasteel authorized service agents, including installation that was not in accord with electrical, gas or plumbing codes.
5. Damage to or failure of this appliance, including discoloration or surface rust, if it is not correctly operated and maintained according to all supplied instructions.
6. Damage to or failure of this appliance, including discoloration or surface rust, resulting from accident, alteration, abuse, misuse or use for other than its intended purpose.
7. Damage to or failure of this appliance, including discoloration or surface rust, caused by the use of detergents, cleaners, chemicals or utensils other than those recommended in all instructions supplied with the product.
8. Damage to or failure of this appliance resulting from natural or other catastrophe, such as flood, fire or storm.
9. Damage to or failure of parts or systems resulting from unauthorized modifications made to this appliance.
10. Service to an appliance if the model and serial plate is missing, altered, or cannot easily be determined to have the appropriate certification logo.

### **Disclaimer of implied warranties; limitation of remedies**

Customer's sole and exclusive remedy under this limited warranty shall be product repair or replacement as provided herein. Implied warranties, including warranties of merchantability or fitness for a particular purpose, are limited to one year on the appliance, five years on burners, or the shortest period allowed by law. Seller shall not be liable for incidental or consequential damages. Some states and provinces do not allow the exclusion or limitation of incidental or consequential damages, or limitation on the duration of implied warranties of merchantability or fitness, so these exclusions or limitations may not apply to you.

This warranty gives you specific legal rights, and you may also have other rights which vary from state to state.

## USE AND CARE



# DANGER



- **NEVER** store a spare LP cylinder under or near the appliance or in an enclosed area.

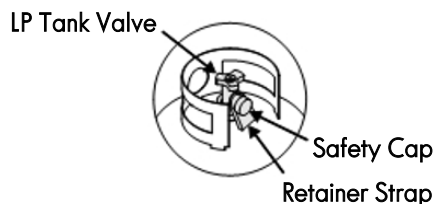


- **Never fill a cylinder beyond 80% full.**
- **If the information in the two points above is not followed exactly, a fire causing death or serious injury may occur.**
- **An overfilled or improperly stored cylinder is a hazard due to possible gas release from the safety relief valve. This could cause an intense fire with risk of property damage, serious injury or death.**
- **If you see, smell or hear gas escaping, immediately get away from the LP cylinder and appliance and call your fire department.**

### LP Tank Removal, Transport And Storage

- Turn OFF all control knobs and LP tank valve. Turn coupling nut counterclockwise by hand only - do not use tools to disconnect. Lift LP tank wire upward off of LP tank collar, then lift LP tank up and off of support bracket. Install safety cap onto LP tank valve. Always use cap and strap supplied with valve.

Failure to use safety cap as directed may result in serious personal injury and/or property damage.



- A disconnected LP tank in storage or being transported must have a safety cap installed (as shown). Do not store an LP tank in enclosed spaces such as a carport, garage, porch, covered patio or other building. Never leave an LP tank inside a vehicle which may become overheated by the sun.
- Do not store an LP tank in an area where children play.

### LP Cylinder

- The LP cylinder used with your grill must meet the following requirements:
- Use LP cylinders only with these required measurements: 12" (30.5cm) (diameter) x 18" (45.7 cm) (tall) with 20 lb. (9 kg.) Capacity maximum.
- LP cylinders must be constructed and marked in accordance with specifications for LP cylinders of the U.S. Department of Transportation (DOT) or for Canada, CAN/CSA-B339, cylinders, spheres and tubes for transportation of dangerous goods. Transport Canada (TC). See LP cylinder collar for marking.
- LP cylinder valve must have:
  - Type 1 outlet compatible with regulator or grill.
  - Safety relief valve.
  - UL listed Overfill Protection Device (OPD). This OPD safety feature is identified by a unique triangular hand wheel. **Use only LP cylinders equipped with this type of valve.**
- LP cylinder must be arranged for vapor withdrawal and include collar to protect LP cylinder valve. Always keep LP cylinders in upright position during use, transit or storage.



OPD Hand Wheel



LP cylinder in upright position for vapor withdrawal

### LP (Liquefied Petroleum Gas)

- LP gas is nontoxic, odorless and colorless when produced. **For Your Safety**, LP gas has been given an odor (similar to rotten cabbage) so that it can be smelled.
- LP gas is highly flammable and may ignite unexpectedly when mixed with air.

### LP Cylinder Filling

- Use only licensed and experienced dealers.
- LP dealer **must purge new cylinder** before filling.
- Dealer should **NEVER** fill LP cylinder more than 80% of LP cylinder volume. Volume of propane in cylinder will vary by temperature.
- A frosty regulator indicates gas overfill. Immediately close LP cylinder valve and call local LP gas dealer for assistance.
- Do not release liquid propane (LP) gas into the atmosphere. This is a hazardous practice.
- To remove gas from LP cylinder, contact an LP dealer or call a local fire department for assistance. Check the telephone directory under "Gas Companies" for nearest certified LP dealers.

## LP Tank Exchange

- Many retailers that sell grills offer you the option of replacing your empty LP tank through an exchange service. Use only those reputable exchange companies that inspect, precision fill, test and certify their cylinders. **Exchange your tank only for an OPD safety feature-equipped tank as described in the "LP Tank" section of this manual.**
- Always keep new and exchanged LP tanks in upright position during use, transit or storage.
- **Leak test new and exchanged LP tanks BEFORE connecting to grill.**

## LP Tank Leak Test

### For your safety

- Leak test must be repeated each time LP tank is exchanged or refilled.
- Do not smoke during leak test.
- Do not use an open flame to check for gas leaks.
- Grill must be leak tested outdoors in a well-ventilated area, away from ignition sources such as gas fired or electrical appliances. During leak test, keep grill away from open flames or sparks.
- Use a clean paintbrush and a 50/50 mild soap and water solution. Brush soapy solution onto areas indicated by arrows in figure below. Leaks are indicated by growing bubbles.

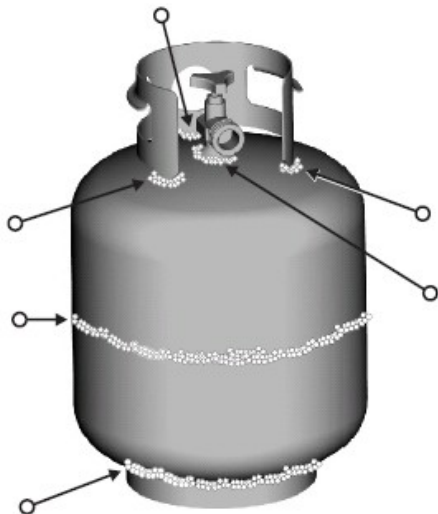


## WARNING



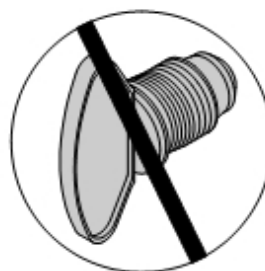
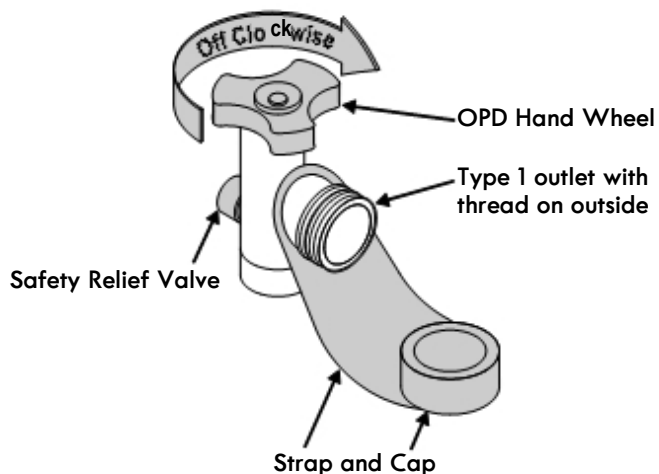
If "growing" bubbles appear do not use or move the LP tank. Contact an LP gas supplier or your fire department!

- ▲ Do not use household cleaning agents. Damage to the gas train components (valve/hose/regulator) can result.



## Connecting Regulator To The LP Tank

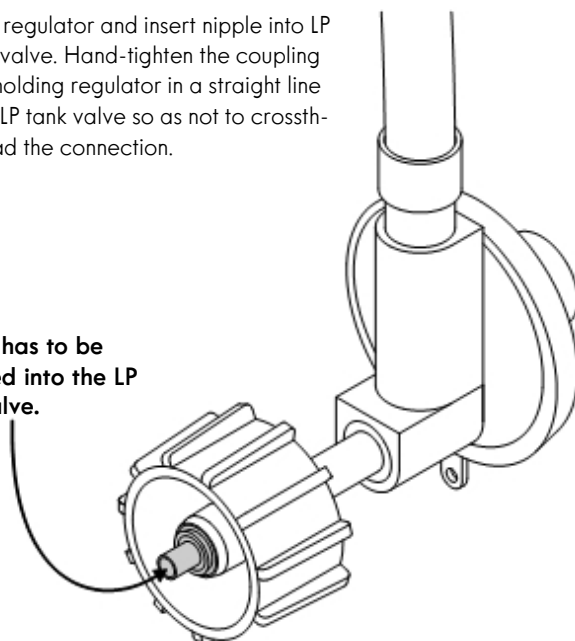
1. LP tank must be properly secured onto grill. (Refer to assembly section.)
2. Turn all control knobs to the OFF position.
3. Turn LP tank OFF by turning OPD hand wheel clockwise to a full stop.
4. Remove the protective cap from LP tank valve. Always use cap and strap supplied with valve.

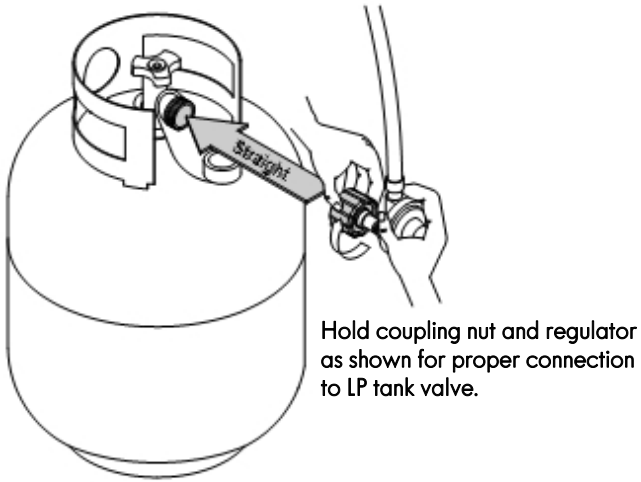


Do not insert a POL transport plug (plastic part with external threads) into the type 1 valve outlet. It will defeat the Safety Relief Valve feature.

5. Hold regulator and insert nipple into LP tank valve. Hand-tighten the coupling nut, holding regulator in a straight line with LP tank valve so as not to cross-thread the connection.

Nipple has to be centered into the LP tank valve.





Hold coupling nut and regulator as shown for proper connection to LP tank valve.

6. Turn the coupling nut clockwise and tighten to a full stop. The regulator will seal on the back-check feature in the LP tank valve, resulting in some resistance. **An additional one-half to three-quarters turn is required to complete the connection. Tighten by hand only - do not use tools.**

**NOTE:**

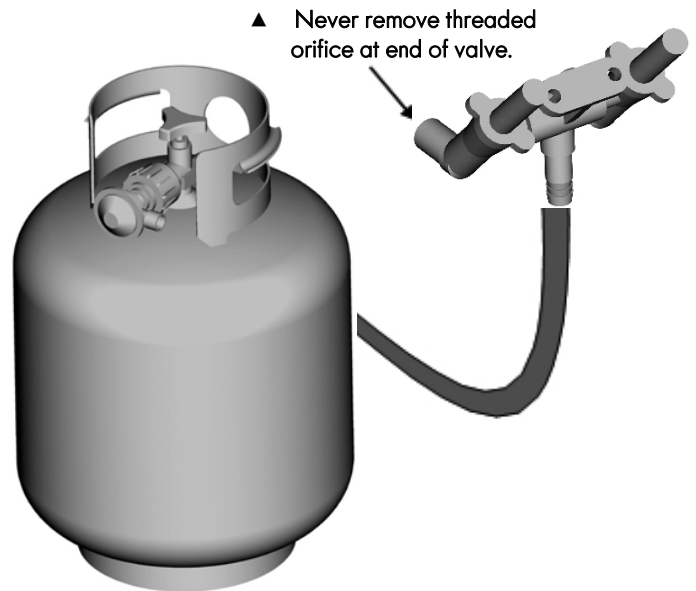
If you cannot complete the connection, disconnect regulator and repeat steps 5 and 6. If you are still unable to complete the connection, do not use this regulator!  
Call **1-888-287-0735** for an identical replacement part.

	<b>DANGER</b>	
<ul style="list-style-type: none"> <li>• Do not insert any tool or foreign object into the valve outlet or safety relief valve. You may damage the valve and cause a leak. Leaking propane may result in explosion, fire, severe personal injury, or death.</li> </ul>		

	<b>WARNING</b>	
<ul style="list-style-type: none"> <li>• Outdoor gas appliance is not intended to be installed in or on a boat.</li> <li>• Outdoor gas appliance is not intended to be installed in or on an RV.</li> <li>• Never attempt to attach this grill to the self-contained LP gas system of a camper trailer or motor home.</li> <li>• Do not use grill until leak-tested.</li> <li>• If a leak is detected at any time, STOP and call the fire department.</li> <li>• If you cannot stop a gas leak, immediately close LP cylinder valve and call LP gas supplier or your fire department !</li> </ul>		

**Leak Testing Valves, Hose and Regulator**

1. Turn all grill control knobs to OFF.
2. Be sure regulator is tightly connected to LP tank.
3. Completely open LP tank valve by turning OPD hand wheel counterclockwise. If you hear a rushing sound, turn gas off immediately. There is a major leak at the connection. **Correct before proceeding** by calling Permasteel for replacement parts at **1-888-287-0735, M – F 8:00 – 5:00 PACIFIC**
4. Brush soapy solution onto areas where bubbles are shown in picture below:



5. If "growing" bubbles appear, there is a leak. Close LP tank valve immediately and retighten connections. If leaks cannot be stopped do not try to repair. Call for replacement parts at 1-888-287-0735.
6. Always close LP tank valve after performing leak test by turning hand wheel clockwise.



## WARNING



### For Safe Use of Your Grill and to Avoid Serious Injury:

- Do not let children operate or play near grill.
- Keep grill area clear and free from materials that burn.
- Do not block holes in sides or back of grill.
- Use grill only in well-ventilated space. **NEVER** use in enclosed space such as carport, garage, porch, covered patio, or under an overhead structure of any kind.
- Do not use charcoal or ceramic briquets in a gas grill.
- **Use grill at least 3 ft. from any wall or surface.** Maintain 10 ft. clearance to objects that can catch fire, or to sources of ignition etc.



### • Apartment Dwellers:

Check with management to learn the requirements and fire codes for using an LP gas grill in your apartment complex. If allowed, use outside on the ground floor with a three (3) foot clearance from walls or rails. Do not use on or under balconies.

- **NEVER attempt to light burner with lid closed. A buildup of non-ignited gas inside a closed grill is hazardous.**
- **Never operate grill with LP cylinder out of correct position specified in assembly instructions.**
- **Always close LP cylinder valve and remove coupling nut before moving LP cylinder from specified operation position.**

### Safety Tips

- ▲ Before opening LP cylinder valve, check the coupling nut for tightness.
- ▲ When grill is not in use, turn off all control knobs and LP cylinder valve.
- ▲ Never move grill while in operation or still hot.
- ▲ Use long-handled barbecue utensils and oven mitts to avoid burns and splatters.
- ▲ Maximum load for sideburner and side shelf is 10 lbs.
- ▲ The drip tray must be inserted into grill and emptied after each use. Do not remove drip tray until grill has completely cooled.
- ▲ Clean grill often, preferably after each cookout. If a bristle brush is used to clean any of the grill cooking surfaces, ensure no loose bristles remain on cooking surfaces prior to grilling. It is not recommended to clean cooking surfaces while grill is hot.
- ▲ If you notice drip or other hot material dripping from grill, determine the cause, correct it, then clean and inspect valve. Keep ventilation openings in cylinder enclosure (grill cart) free and clear of debris.
- ▲ Do not store objects or materials inside the grill cart enclosure that would block the flow of combustion air to the underside of either the control panel or the firebox bowl.
- ▲ The regulator may make a humming or whistling noise during operation. This will not affect safety or use of grill.
- ▲ If you have a grill problem see the "Troubleshooting Section".
- ▲ If the regulator frosts, turn off grill and LP cylinder valve immediately. This indicates a problem with the cylinder and it should not be used on any product. Return to supplier!





## CAUTION



- Putting out drip fires by closing the lid is not possible. Grills are well ventilated for safety reasons.
- Do not use water on a drip fire. Personal injury may result. If a drip fire develops, turn knobs and LP cylinder off.
- Do not leave grill unattended while preheating or burning off food residue on HI. If grill has not been regularly cleaned, a drip fire can occur that may damage the product.

### Main Burner Igniter Lighting

- ▲ Do not lean over grill while lighting.

1. Open lid during lighting.
2. Turn on valve from source or tank.
3. To ignite, turn Ignition Burner knob to  HI.
4. Push and hold electronic ignition button.
5. If ignition does not occur in 5 seconds, turn the burner controls OFF, wait 5 minutes, and repeat the lighting procedure.
6. To ignite other main burners after ignition burner is lit, turn a control knob that is adjacent to a lit burner to  Hi. Ignite far left burner last.
7. To ignite the Side Burner, follow steps 3-5 using the Side Burner knob.

If igniter does not work, follow **Match Lighting** instructions.



## WARNING



Turn controls and gas source or tank OFF when not in use.



## CAUTION

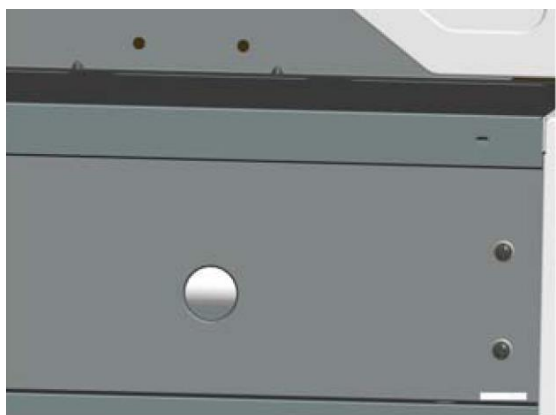


If ignition does NOT occur in 5 seconds, turn the burner controls OFF, wait 5 minutes and repeat the lighting procedure. If the burner does not ignite with the valve open, gas will continue to flow out of the burner and could accidentally ignite with risk of injury.

### Match Lighting Instructions

▲ Do not lean over grill while lighting.

1. Open lid during lighting.
2. Place match into match holder (hanging on the left front leg inside cabinet).
3. Light match and insert match holder through lighting hole in left side of firebox. Align lit match with first burner on left.
4. Turn knob of first left burner to HI position. Be sure burner lights and stays lit. Withdraw match holder from firebox and extinguish match.
5. To light other burners, turn each knob in succession to HI.
6. Once burners are lit, adjust knobs to desired flame setting. To extinguish an individual burner, turn its knob to OFF.



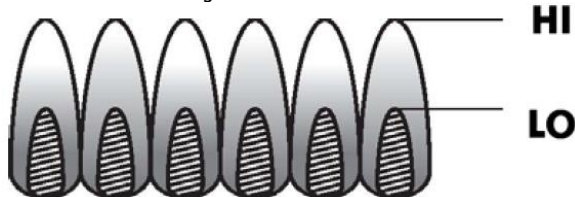
### Sideburner Match Lighting

1. Open sideburner lid. Turn on gas at LP cylinder.
2. Place lit match near burner.
3. Turn sideburner knob to HI. Be sure burner lights and stays lit.



### Burner Flame Check

- Remove cooking grates and heat diffusers. Light burners, turn knobs from HI to LO. You should see a smaller flame in LO position than seen on HI. Perform burner flame check on searing burner, also. Always check flame prior to each use. If only low flame is seen refer to "Sudden flame drop or low flame" in the Troubleshooting Section.



### Turning Grill Off

- Turn all knobs to OFF position. Turn LP cylinder off.
- When you are finished grilling, raise the grill lid while allowing the grill to fully cool. If the grill lid is closed during grill cooling, condensation may occur on interior grill surfaces and possibly cause them to rust.

### Igniter Check

- Turn gas off at LP cylinder. Press and hold electronic igniter button. "Click" should be heard and spark seen each time between collector box or burner and electrode. See "Troubleshooting" if no click or spark.

### Valve Check

- Important: Make sure gas is off at LP cylinder before checking valves. Knobs lock in OFF position. To check valves, first push in knobs and release, knobs should spring back. If knobs do not spring back, replace valve assembly before using grill. Turn knobs to LOW position then turn back to OFF position. Valves should turn smoothly.

### Hose Check

- Before each use, check to see if hoses are cut or worn. Replace damaged hoses before using grill. Use only valve/hose/regulator as specified in the parts list of this Use & Care Guide.

### Cast Iron Grate Seasoning (if applicable)

**First Use** —Before first use, season cast iron grates as follows: Rinse cast iron grates with hot water. Do not use soap. Dry grates thoroughly with a cloth towel. Coat grates with vegetable oil or non-stick cooking spray. Place grates in grill. Start grill and slowly raise temperature to 350° - 400° F. Heat grates for one hour. Turn off grill and allow grates to cool completely before using to cook.

**Cleaning** — Do not use soap when cleaning grates. Clean grates with a stiff brush and hot water. Dry grates thoroughly with a cloth towel.

**Re-seasoning** — Re-season grates when rust spots appear on grate surface. When re-seasoning grates, soap may be used with hot water to clean grates. After cleaning, dry grates thoroughly with a cloth towel. Coat grates with vegetable oil or non-stick cooking spray. Place grates in grill. Start grill and slowly raise temperature to 350° - 400° F. Heat grates for one hour. Turn off grill and allow grates to cool completely before using again.

### General Grill Cleaning

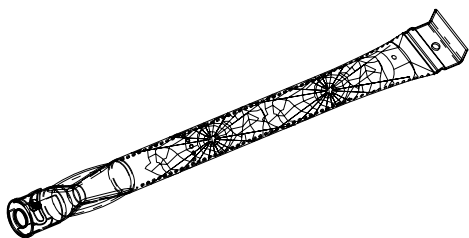
- Do not mistake brown or black accumulation of grease and smoke for paint. Interiors of gas grills are not painted at the factory (**and should never be painted**). Apply a strong solution of detergent and water or use a grill cleaner with scrub brush on insides of grill lid and bottom. Rinse and allow to completely air dry. **Do not apply a caustic grill/oven cleaner to painted surfaces.**
- **Porcelain surfaces:** Because of glass-like composition, most residue can be wiped away with baking soda/water solution or specially formulated cleaner. Use nonabrasive scouring powder for stubborn stains.
- **Painted surfaces:** Wash with mild detergent or nonabrasive cleaner and warm soapy water. Wipe dry with a soft nonabrasive cloth.

- **Painted surfaces:** Wash with mild detergent or nonabrasive cleaner and warm soapy water. Wipe dry with a soft nonabrasive cloth.
- **Stainless steel surfaces:** To maintain your grill's high quality appearance, wash with mild detergent and warm soapy water and wipe dry with a soft cloth after each use. Baked-on drip deposits may require the use of an abrasive plastic cleaning pad. Use only in direction of brushed finish to avoid damage. Do not use abrasive pad on areas with graphics.
- **Cooking surfaces:** If a bristle brush is used to clean any of the grill cooking surfaces, ensure no loose bristles remain on cooking surfaces prior to grilling. It is not recommended to clean cooking surfaces while grill is hot.
- **Drip Tray and Cup:** Regularly clean the drip drippings from the Drip Tray and Drip Cup. When the grill has completely cooled down after use, remove the cup from the tray and slide the tray out of the grill. Clean the drip drippings from the cup and tray surfaces by washing with mild detergent or nonabrasive cleaner and warm soapy water. Wipe dry with a soft nonabrasive cloth. Slide the tray back into the grill and replace the cup back into the tray before using the grill again.

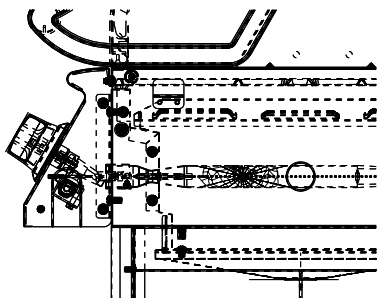


## SPIDER ALERT!

**IMPORTANT:** Always ensure that the venturi burner tubes are clean. A venturi burner tube has a narrow area in which spiders tend to build nests.



If you notice that your grill is getting hard to light or that the flame isn't as strong as it should be, take the time to check and clean the venturi's.



Spiders or small insects have been known to create "flashback" problems. The spiders spin webs, build nests and lay eggs in the grill's venturi tube(s) obstructing the flow of gas to the burner. The backed-up gas can ignite in the venturi behind the control panel. This is known as a flashback and it can damage your grill and even cause injury.

To prevent flashbacks and ensure good performance the burner and venturi assembly should be removed from the grill and cleaned before use whenever the grill has been idle for an extended period.

## Storing Your Grill

- Clean cooking grates.
- Store in dry location.
- When LP cylinder is connected to grill, store outdoors in a well-ventilated space and out of reach of children.
- Cover grill if stored outdoors. Choose from a variety of grill covers offered by manufacturer once available.
- Store grill indoors ONLY if LP cylinder is turned off and Disconnected, remove from grill and stored outdoors.
- When removing grill from storage, follow "Cleaning the Burner Assembly" instructions before starting grill.

## Cleaning the Burner Assembly

Follow these instructions to clean and/or replace parts of burner assembly or if you have trouble igniting grill.

1. Turn gas off at control knobs and LP cylinder.
2. Remove cooking grates and heat diffusers.
3. Remove cotter pin from rear of burners. See Fig. A next page.
4. Carefully lift each burner up and away from valve openings.

We suggest three ways to clean the burner tubes. Use the one easiest for you.

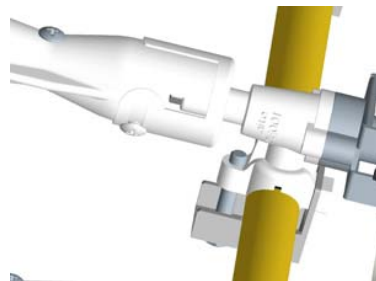
- (A) Bend a stiff wire (a light weight coat hanger works well) into a small hook. Run the hook through each burner tube several times.



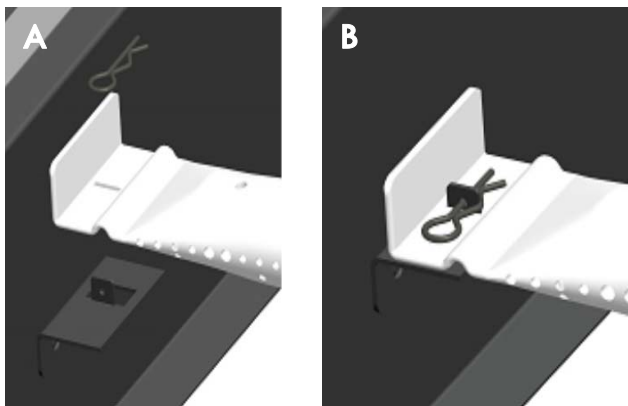
- (B) Use a narrow bottle brush with a flexible handle (do not use a brass wire brush), run the brush through each burner tube several times.
- (C) Wear eye protection: Use an air hose to force air into the burner tube and out the burner ports. Check each port to make sure air comes out each hole.

5. Wire brush entire outer surface of burner to remove food residue and dirt.
6. Clean any blocked ports with a stiff wire such as an open paper clip.
7. Check burner for damage, due to normal wear and corrosion some holes may become enlarged. If any large cracks or holes are found replace burner.

**VERY IMPORTANT:** Burner tubes must reengage valve openings. See illustrations below.



8. Carefully replace burners.
9. Attach burners to brackets with cotter pin. See Fig. B next page.
10. Replace heat diffusers and cooking grates.



## Food Safety

Food safety is a very important part of enjoying the outdoor cooking experience. To keep food safe from harmful bacteria, follow these four basic steps:

**Clean:** Wash hands, utensils, and surfaces with hot soapy water before and after handling raw meat and poultry.

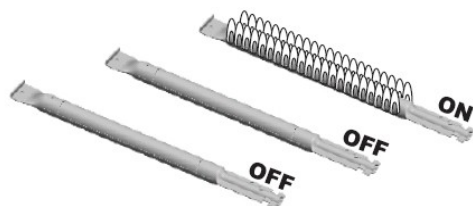
**Separate:** Separate raw meats and poultry from ready-to-eat foods to avoid cross contamination. Use a clean platter and utensils when removing cooked foods.

**Cook:** Cook meat and poultry thoroughly to kill bacteria. Use a thermometer to ensure proper internal food temperatures.

**Chill:** Refrigerate prepared foods and leftovers promptly. **For more information call: USDA Meat and Poultry Hotline at 1-800-535-4555 (In Washington, DC (202) 720-3333, 10:00 am 4:00 pm EST).**

## Indirect Cooking

Poultry and large cuts of meat cook slowly to perfection on the grill by indirect heat. Place food over unlit burner(s); the heat from lit burners circulates gently throughout the grill, cooking meat or poultry without the touch of a direct flame. This method greatly reduces flare-ups when cooking extra fatty cuts because there is no direct flame to ignite the fats and juices that drip during cooking.

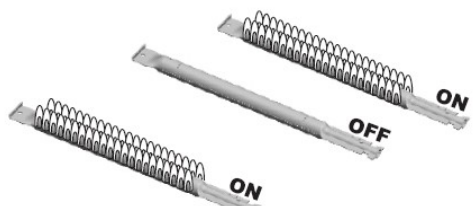


### 1 Burner Cooking

Cook with direct or indirect heat.  
Best for smaller meals or foods.  
Consumes less fuel.

### Indirect Cooking Instructions

- Always cook with the lid closed.
- Due to weather conditions, cooking times may vary. During cold and windy conditions the temperature setting may need to be increased to insure sufficient cooking temperature.
- Place food over over unlit burner(s).



### 2 Burner Cooking

Great indirect cooking on low.  
Produces slow, even heating.  
Ideal for slow roasting and baking.

## How To Tell If Meat Is Grilled Thoroughly

- Meat and poultry cooked on a grill often browns very fast on the outside. Use a meat thermometer to be sure food has reached a safe internal temperature, and cut into food to check for visual signs of doneness.
- Whole poultry should reach 180° F; breasts, 170° F. Juices should run clear and flesh should not be pink.
- Hamburgers made of any ground meat or poultry should reach 160° F, and be brown in the middle with no pink juices. Beef, veal and lamb steaks, roasts and chops can be cooked to 145° F. All cuts of pork should reach 160° F.
- NEVER partially grill meat or poultry and finish cooking later. Cook food completely to destroy harmful bacteria.
- When reheating takeout foods or fully cooked meats like hot dogs, grill to 165° F, or until steaming hot.

**WARNING:** To ensure that it is safe to eat, food must be cooked to the minimum internal temperatures listed in the table below.

USDA* Recommended Safe Minimum Internal Temperatures	
Beef, Veal, Lamb and Pork – Whole Cuts**	145° F
Fish	145° F
Beef, Veal, Lamb and Pork – Ground	160° F
Egg Dishes	160° F
Turkey, Chicken & Duck – Whole, Pieces & Ground	165° F

\* United States Department of Agriculture

\*\*Allow meat to rest three minutes before carving or consuming.

# PARTS LIST

Key	Description	Qty	Part Number	Key	Description	Qty	Part Number
1	Side Burner Lid	1	40800065	31	Bottom Shelf	1	52200073
2	Side Burner Grid	1	40800119	32	Front Panel	2	40600028Z
3	Rotate Rod, Side Burner Lid	2	40800118	33	Side Lower Rail	2	52200064
4	Side Burner Base	1	52200052	34	Side Upper Rail	2	52200061
5	Side Burner	1	40600031	35	Tank Baffle	1	40800090
6	Igniter Wire, Side Burner	1	52200054	36	Drip Cup	1	40800026
7	Igniter Wire, Main Burner	1	52200035	37	Drip Cup Clip	1	40800131
8	Right Side Shelf	1	40900145	38	Drip Tray	1	40600014
9	Fire Box	1	40600004	39	Right Drip Tray Support	1	40600027
10	Electronic Ignition Module	1	40600030Z	40	Left Drip Tray Support	1	40600026
11	Fascia, Right Shelf	1	41100023Z	41	Back Rail	1	52200074
12	Control Panel	1	40100022Z	42	Fascia, Left Side Shelf	1	40900040Z
13	Gas Valve, Main Burner	4	40900205	43	Left Side Shelf	1	40900143
14	Manifold, Main Burner	1	40300037	44	Side Shelf Support Angle Bar	2	40900109
15	Side Burner Hose	1	40900210	45	Flame Carry Over Tube	3	40300019
16	Gas Valve, Side Burner	1	40900209	46	Cooking Grate	2	40100101
17	Bezel, Control Knob	5	40900500	47	Silicone Rubber Bumper, Firebox	2	50300205
18	Control Knob	5	40900206Z	48	Silicone Rubber Bumper, Lid	2	40700103
19	Regulator	1	408D00115	49	Warming Rack	1	40300104
20	Alex Rod	1	408D00125	50	Lid Handle	1	40900012Z
21	Match Holder Chain	1	120006	51	Bezel, Lid Handle	2	40900013Z
22	Cotter Pin	10	110050	52	Lid Handle Spacers	2	40700022
23	Hose Fixed Pin	1	40800134	53	Temperature Gauge	1	41100101Z
24	Leg Extender	2	40800127	54	Logo	1	40800106Z
25	Caster	2	40800124	55	Lid	1	50500004Z
26	Right Back Leg	1	40600025	56	Heat Diffuser	4	40800023
27	Right Front Leg	1	40600024	57	Rotated Rod, Lid	2	50300207
28	Left Front Leg	1	40600021	58	Flat Washer	3	110018
29	Left Back Leg	1	40600022	59	Hex Nut	3	110011
30	Tank Holder	1	40800130	60	Burner	1	40600013
				61	Main Burner	3	40600012

Not Pictured

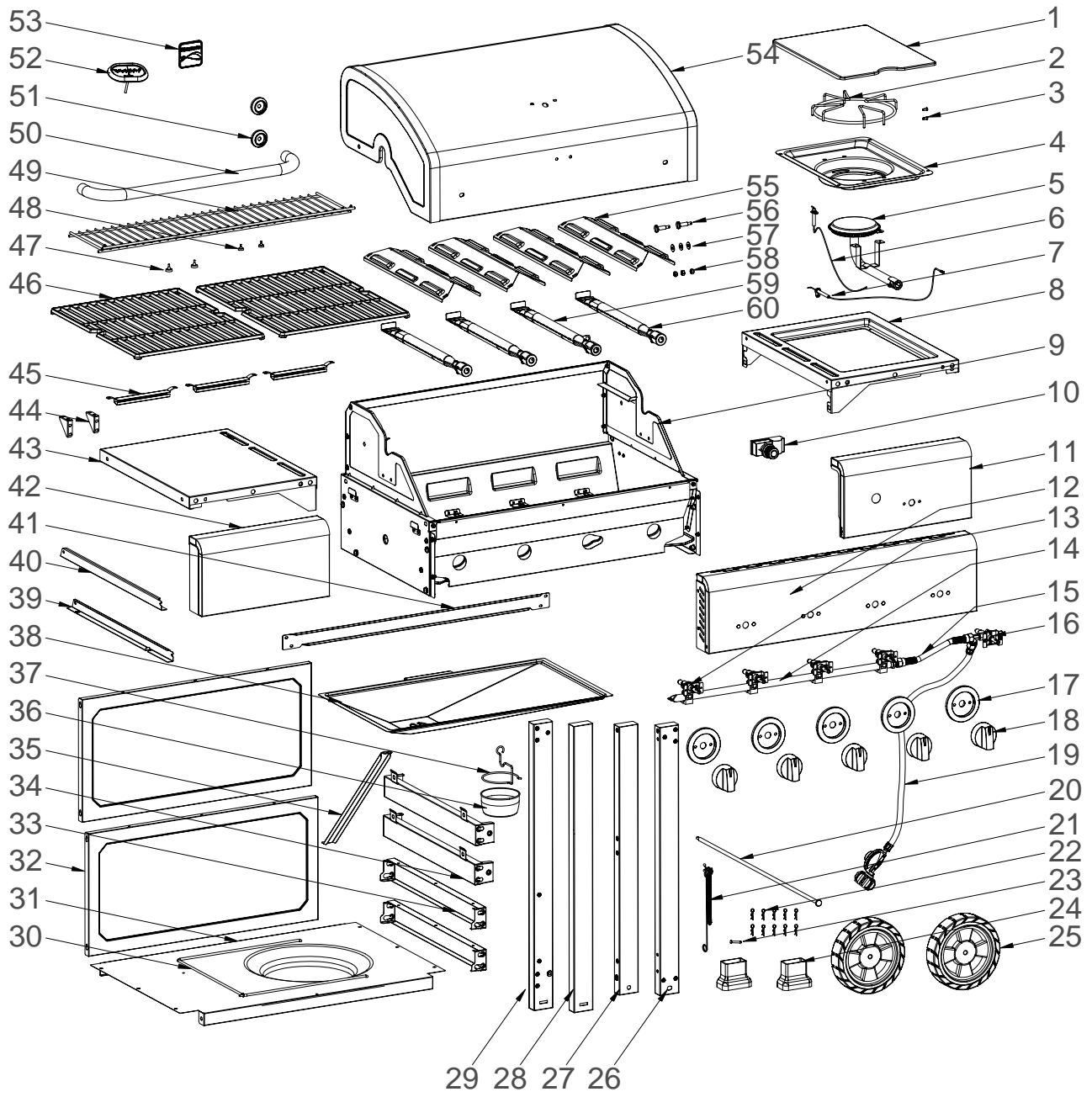
Hardware Pack	1	40600049
Manual	1	40600050Z

If you are missing hardware or have damaged parts after unpacking grill, call 1-888-287-0735 M - F 8:00 - 5:00 PACIFIC for replacement.

To order replacement parts after using grill, call 1-888-287-0735 M - F 8:00 - 5:00 PACIFIC for replacement.

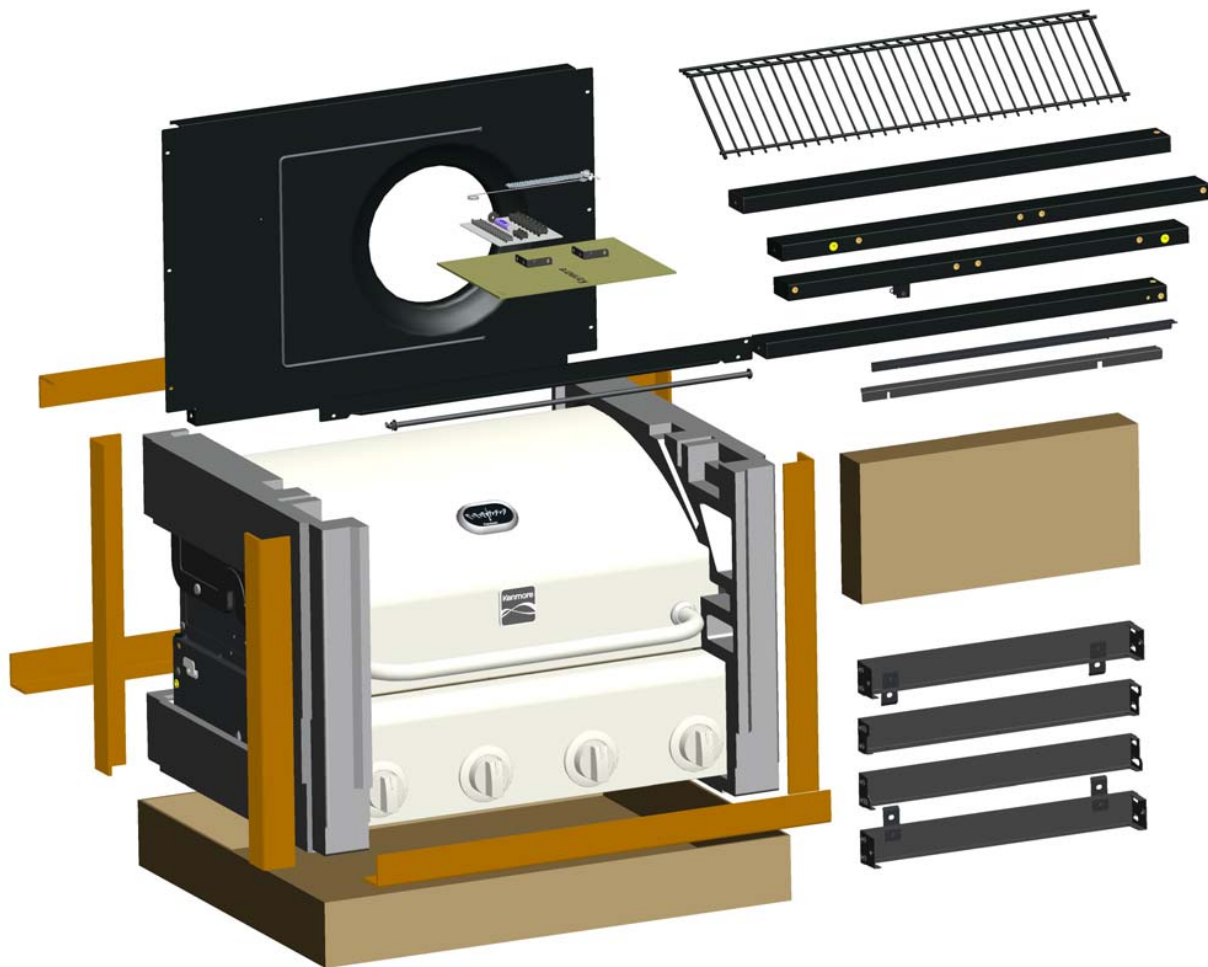
**NOTES: Some grill parts shown in the assembly steps may differ slightly in appearance from those on your particular grill. However, the method of assembly remains the same.**

# PARTS DIAGRAM

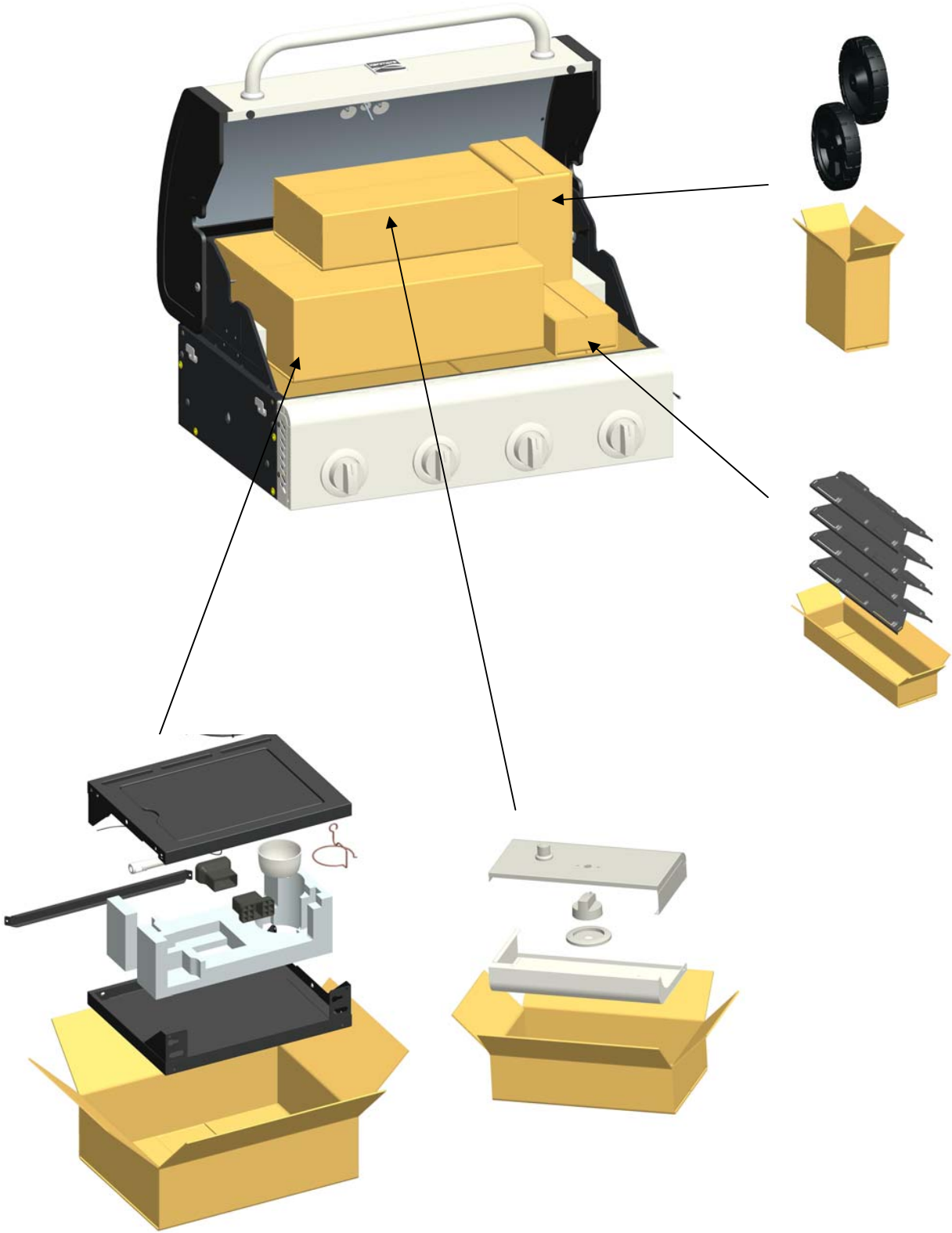


## BEFORE ASSEMBLY

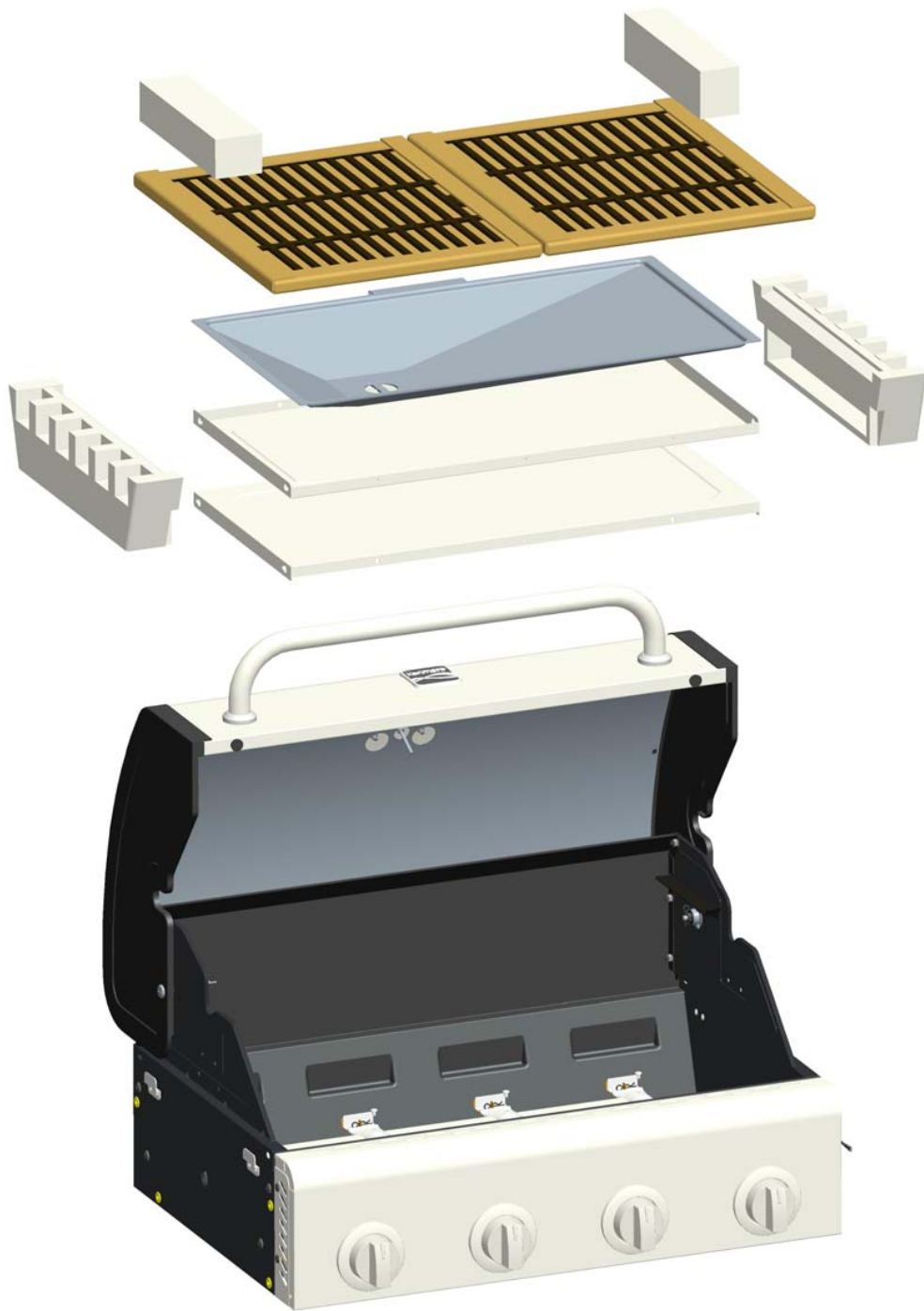
**NOTICE:** Once you have unpacked the grill according to the STOP SHEET instructions, check all grill parts against the pictures on this and the following two pages. If any parts are missing or damaged, call 1-888-287-0735, M – F 8:00 – 5:00 PACIFIC.



**BEFORE ASSEMBLY**



**BEFORE ASSEMBLY**





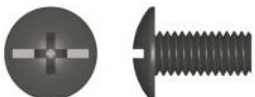



# ASSEMBLY

CAREFULLY READ AND PERFORM ALL ASSEMBLY INSTRUCTIONS ON THE FOLLOWING PAGES.

**Tools Required:**

- Adjustable wrench (not provided)
- Screwdriver (not provided)
- 7/16" Combination wrench (not provided)
- The following hardware is provided in blister pack for convenient use.

<p>M4X10 screw Qty: 54 pcs</p> 	<p>AA Battery Qty: 1 pc</p> 
<p>M5X10 screw Qty: 4 pcs</p> 	<p>M5 flat washer Qty: 4 pcs</p> 
<p>M6X13 screw Qty: 16 pcs</p> 	<p>M6 compression washer Qty: 4 pcs</p> 

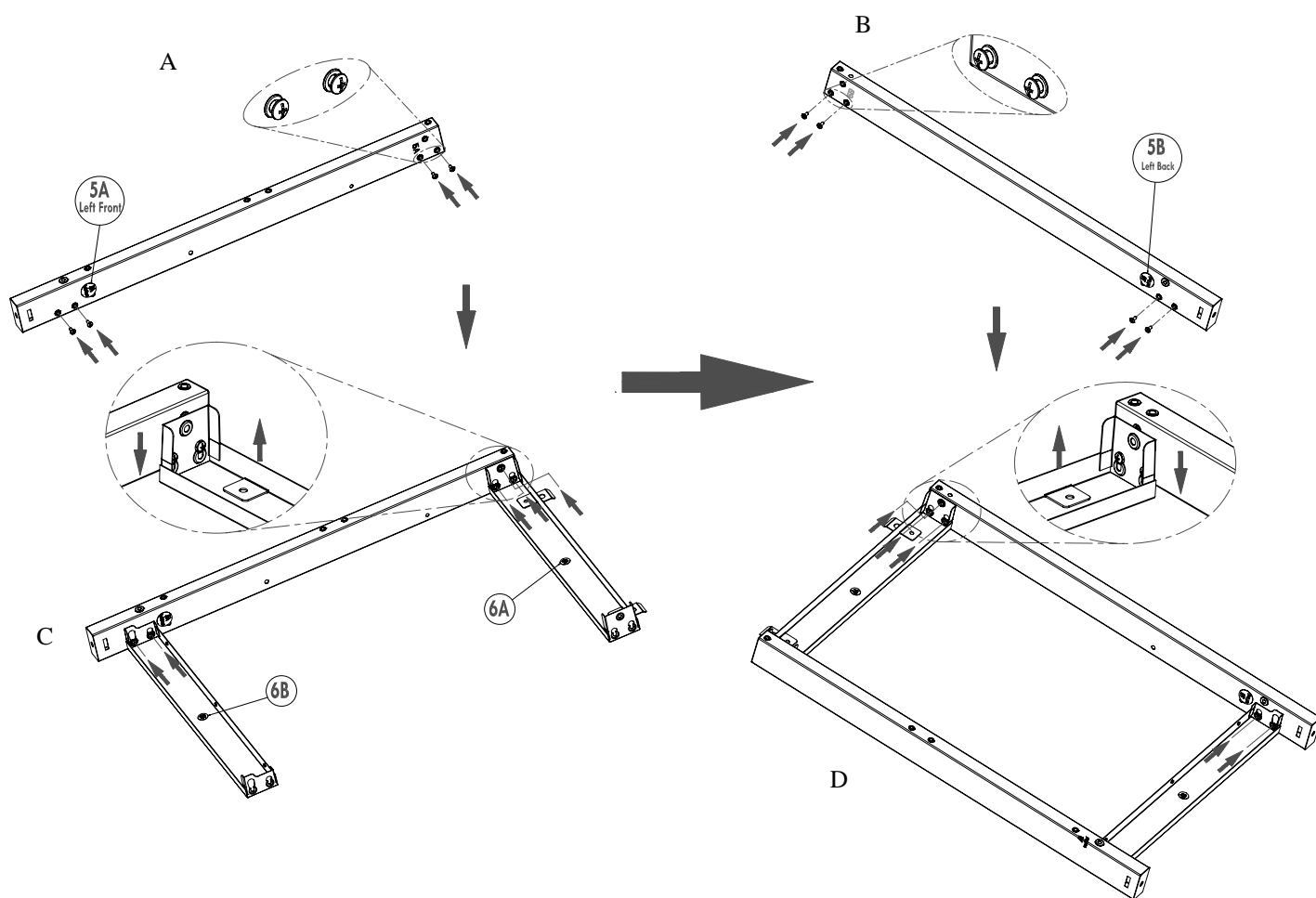
# 1

## Left Frame

- Install **(4) M4×10 Screws** as shown to the leg marked "5A". Do not fully tighten the screws at this time. Leave 1/8-inch gap below screw head for rail attachment. (A)
- Attach one end of a Side Upper Rail "6A" to the leg, tighten the screws and install and tighten another **(1) M4×10 Screw**. (C)
- Attach one end of a Side Lower Rail "6B" to the leg and tighten the screws. (C)
- Install **(4) M4×10 Screws** as shown to the leg marked "5B". Do not fully tighten the screws at this time. Leave 1/8-inch gap below screw head for rail attachment. (B)
- Attach the other end of Side Upper Rail and Side Lower Rail to the "5B" Leg and tighten the screws. Install and tighten another **(1) M4X10 Screw** to the Side Upper Rail. (D)



M4x10 screws Qty: 10 pcs



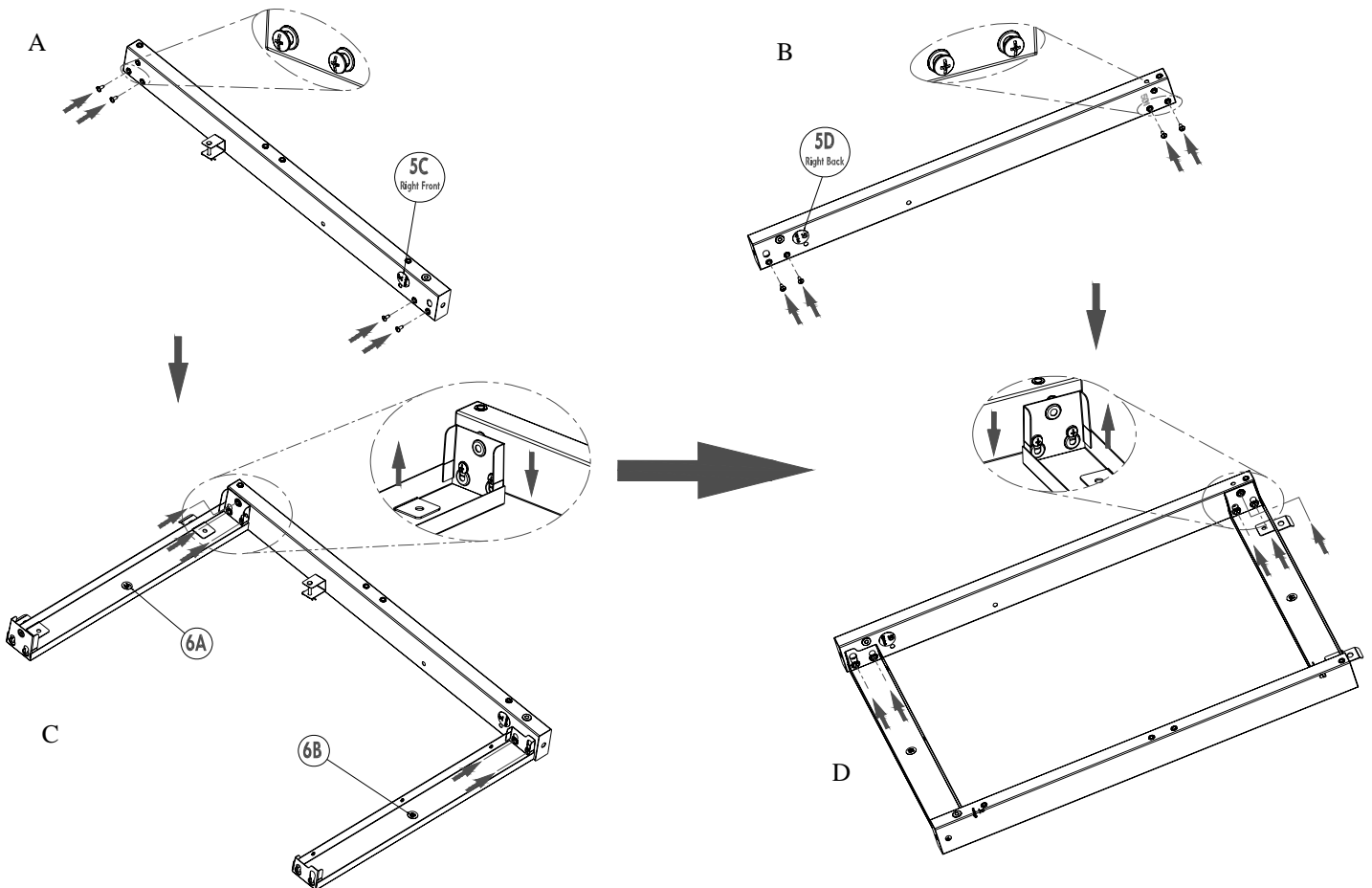
# 2

## Right Frame

- Install **(4) M4 × 10 Screws** as shown to the leg marked "5C". Do not fully tighten the screws at this time. Leave 1/8-inch gap below screw head for rail attachment. (A)
- Attach one end of a Side Upper Rail "6A" to the leg, tighten the screws and install and tighten another **(1) M4 × 10 Screw**. (C)
- Attach one end of a Side Lower Rail "6B" to the leg and tighten the screws. (C)
- Install **(4) M4 × 10 Screws** as shown to the leg marked "5D". Do not fully tighten the screws at this time. Leave 1/8-inch gap below screw head for rail attachment. (B)
- Attach the other end of Side Upper Rail and Side Lower Rail to the "5D" Leg and tighten the screws. Install and tighten another **(1) M4 × 10 Screw** to the Side Upper Rail. (D)



M4x10 screws Qty: 10 pcs



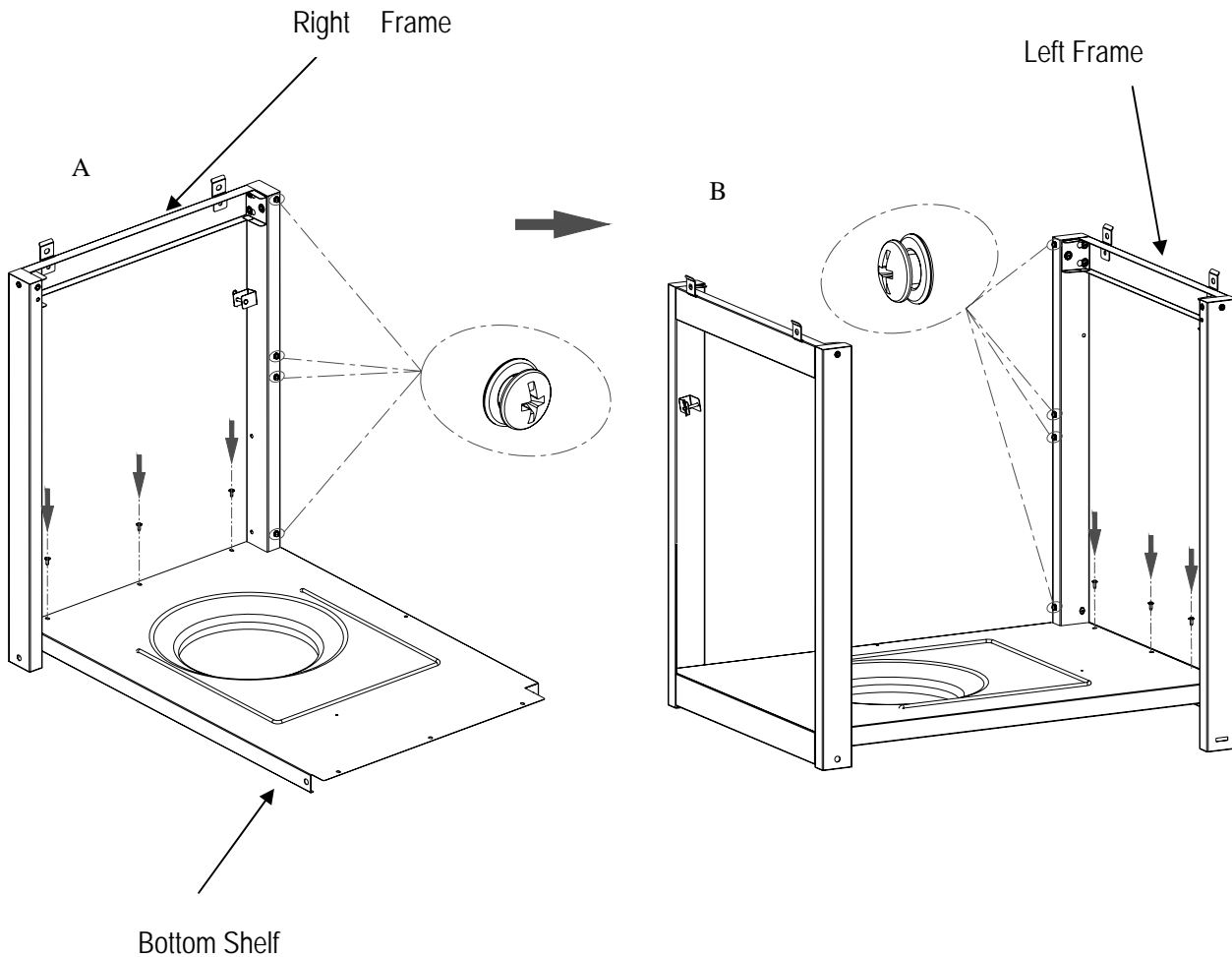
# 3

## Bottom Shelf

- Install **(4) M4×10 Screws** as shown to Right Frame. Do not fully tighten the screws at this time. Leave 1/8-inch gap below screw head for panel attachment. (A)
- Install **(4) M4X10 screws** as shown to Left Frame. Do not fully tighten screws at this time. Leave 1/8-inch gap below screw head for panel attachment. (B)
- Attach Bottom Shelf to Right Frame with **(3) M4X10 screws**. Do not yet fully tighten these screws. (A)
- Attach Bottom Shelf to Left Frame with **(3) M4X10 screws**. Do not yet fully tighten these screws. (B)



M4x10 screws Qty: 14 pcs



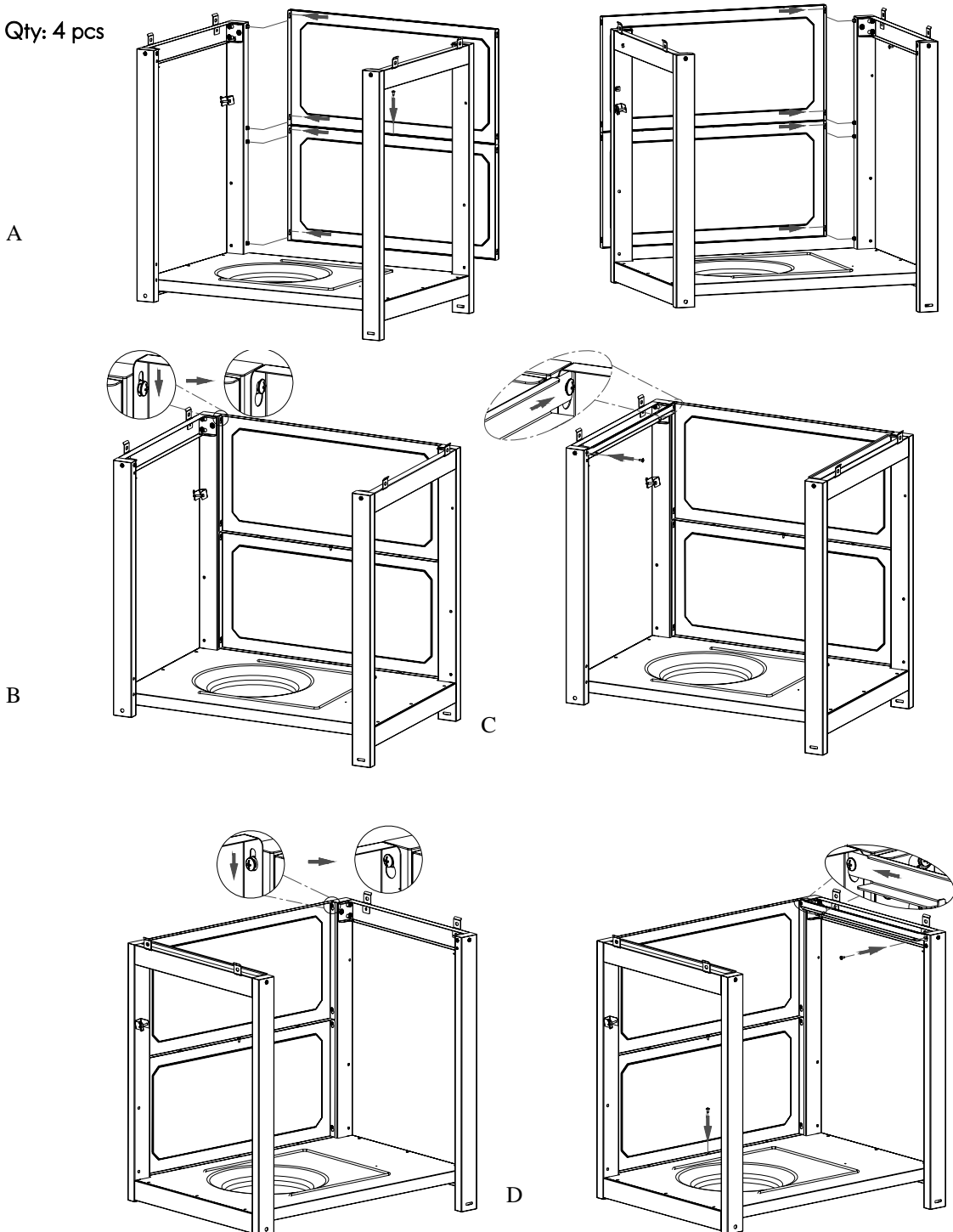
# 4

## Front Panel

- Attach the two front panel sections together into a single front panel with **(1) M4X10 screw** as shown.
- Attach the front panel to the cart by slipping the four panel holes on each side over and down onto the four protruding screw heads on the left and right frames. Leave the top screw loose on each side, and fully tighten the other three screws on each side.
- Slide one end of the Right Drip Tray Support Bar "7A" under the front Right Frame top screw. Fully tighten the screw. Fully tighten other end of bar to the rear Right Frame with **(1) M4 X 10 Screw**. (C)
- Slide one end of the Left Drip Tray Support Bar "7B" under the front Left Frame top screw. Fully tighten the screw. Fully tighten other end of bar to the rear Left Frame with **(1) M4 X 10 Screws** as shown. Install and fully tighten **(1) M4X10 screw** through the middle screw hole on the bottom of the front panel into the bottom shelf. (D)



M4x10 screws Qty: 4 pcs



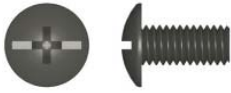
# 5

## Wheels to Cart

- Turn cart upside down and attach Legs to Bottom Shelf with (4) M6X13 screws as shown. (A)
- Tap both Leg Extenders onto Left Legs. (B)
- Remove hitch pin, nut and washer from axle rod. Insert axle rod through Wheels and Right Leg Frame. Reattach washer, nut and hitch pin. (C)

**Note: The convex side of the wheel must face to the cart, and the concave side must face outward.**

- Stand cart right side up and fully tighten the (6) M4X10 bottom shelf screws. (D) Attach Tank Baffle as shown with (2) M4X10 screws. (D)

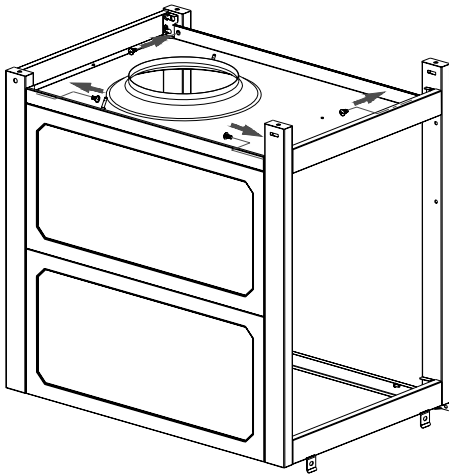


M6X13 screw Qty: 4 pcs

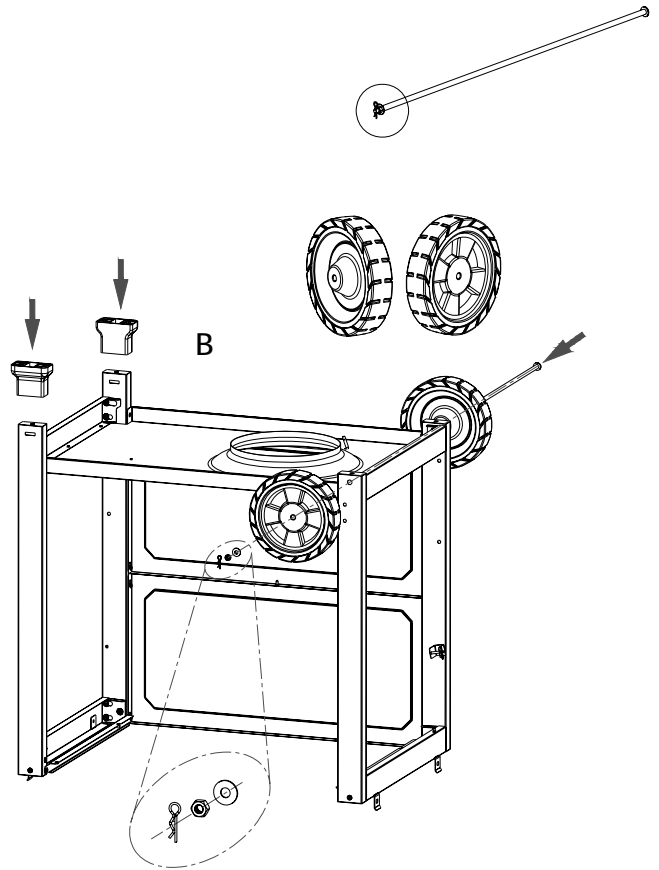


M4X10 screw Qty: 2 pcs

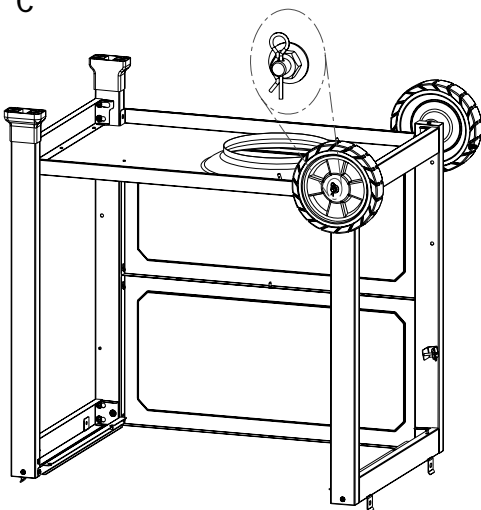
A



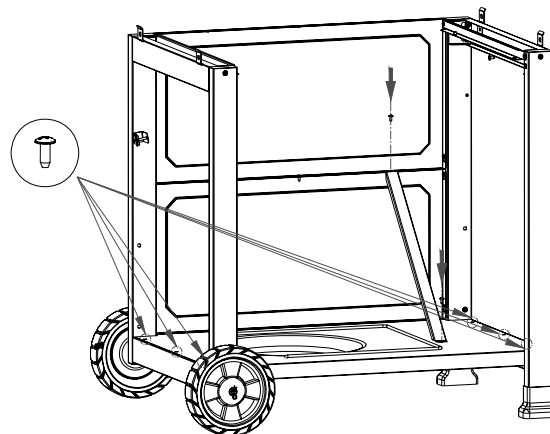
B



C



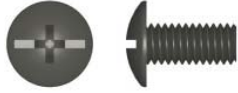
D



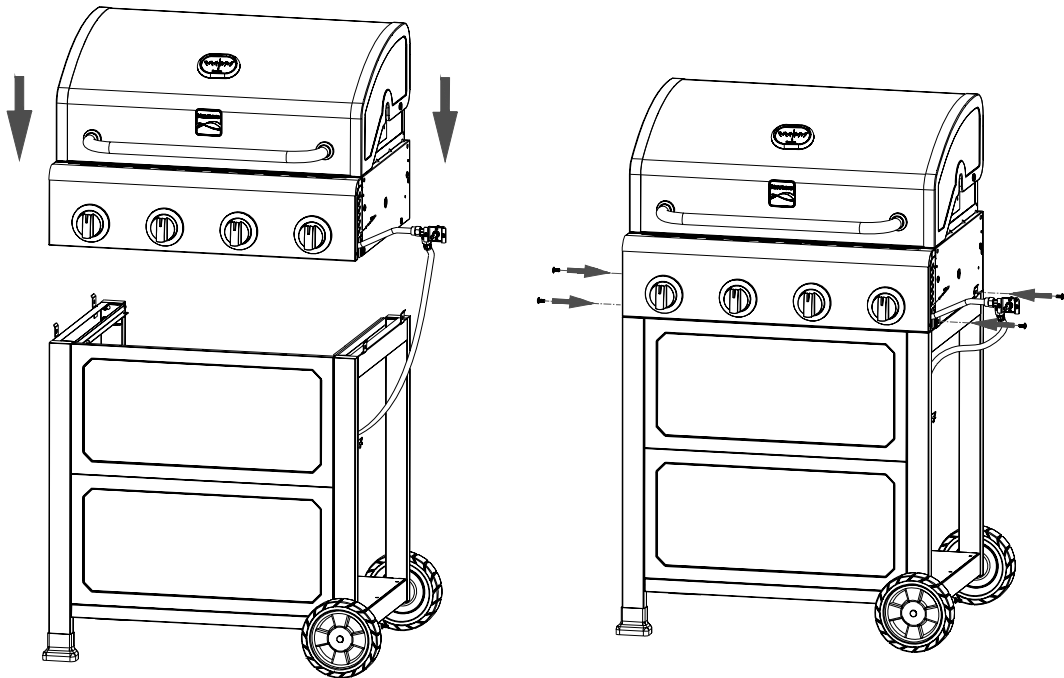
# 6

## Grill Head to Cart

- This step requires two people to lift and position grill head onto cart.
- Remove the tie wraps and packaging material from regulator hose, side burner valve and igniter wire. Pull hose and igniter wire out to side of grill head.
- Carefully lower the grill head onto the cart. Make sure the regulator hose and igniter wire are hanging outside the cart.
- Line up control panel so that it is flush with front panels. Attach head to cart with **(4) M6X13 screws**.



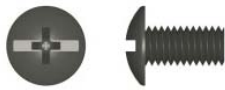
M6X13 screw Qty: 4 pcs



# 7

## Left Side Shelf

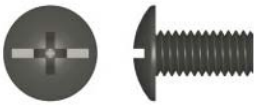
- Attach fascia to left side shelf with (2) M5x10 screws and M5 flat washers. (A)
- Attach Side Shelf Support Angle Bar with (4) M4x10 screws. (B)
- Align the Side Fascia and Control Panel.
- Attach shelf to firebox as follows:
  - From inside to outside of firebox with (2) M6x13 screws and M6 compression washers. (C)
  - From outside to inside of firebox with (2) M6x13 screws. (D)
- Attach fascia to control panel with (1) M4x10 screw. (D)



M5X10 screw Qty: 2 pcs



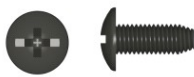
M5 flat washer Qty: 2 pcs



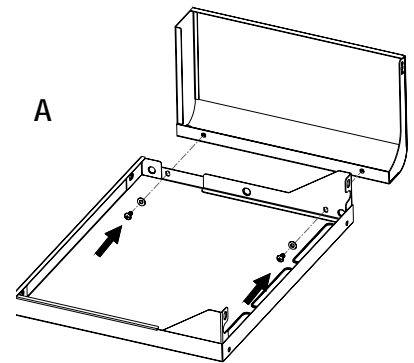
M6X13 screws Qty: 4 pcs



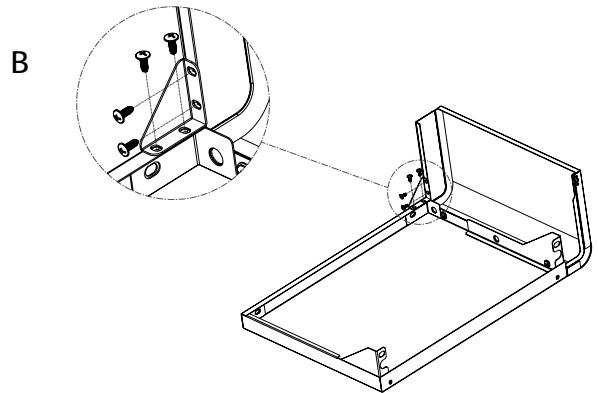
M6 compression washer Qty: 2 pcs



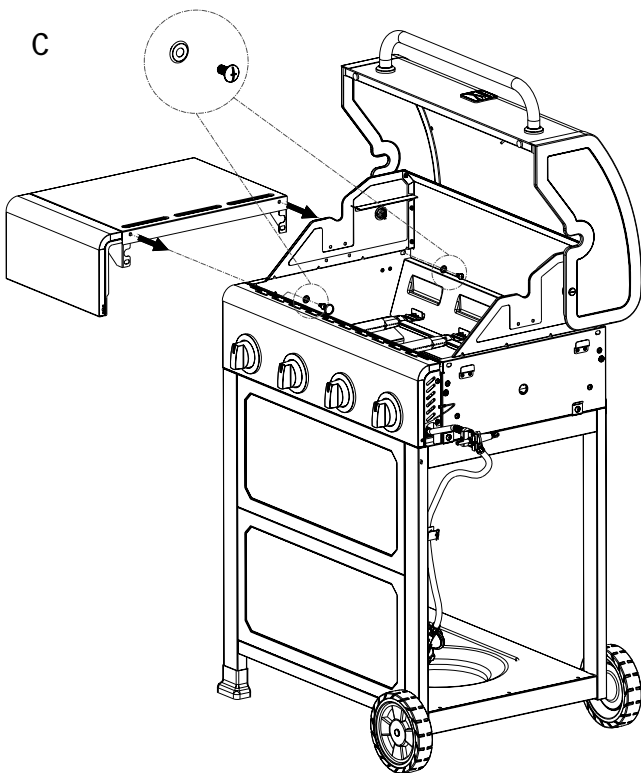
M4X10 screw Qty: 5 pcs



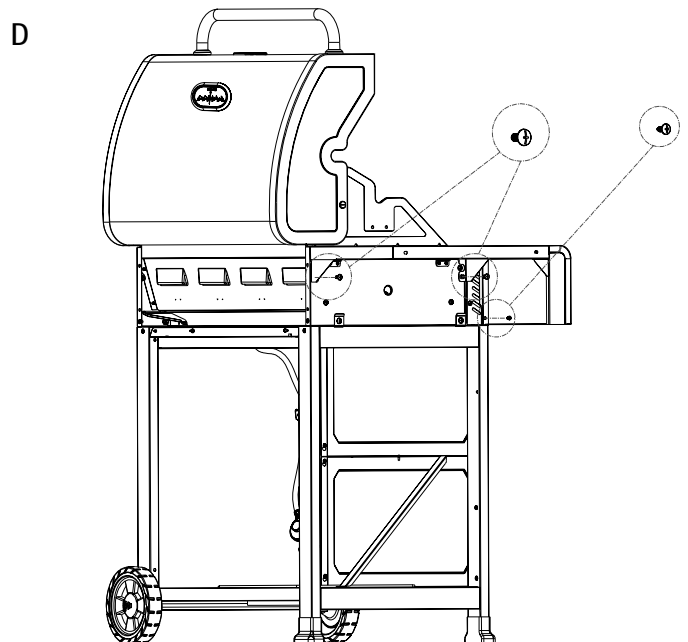
A



B



C



D

# 8

## Right Side Shelf

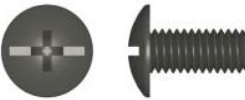
- Remove side burner grate from side burner before assembling and attaching the right side shelf,
- Attach fascia to right side shelf with **(2) M5x10 screws** and **M5 flat washers**. (A)
- Attach Side Shelf Support Angle Bar with **(4) M4x10 screws**. (B)
- Hang right side shelf onto the brackets on right side of firebox.
- Attach shelf to firebox as follows:
  - From inside to outside of firebox with **(2) M6x13 screws** and **M6 compression washers**. (C)
  - From outside to inside of firebox with **(2) M6x13 screws**. (D)
- Attach fascia to control panel with **(1) M4x10 screw**. (D)



M5X10 screw Qty: 2 pcs



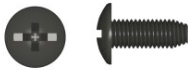
M5 flat washer Qty: 2 pcs



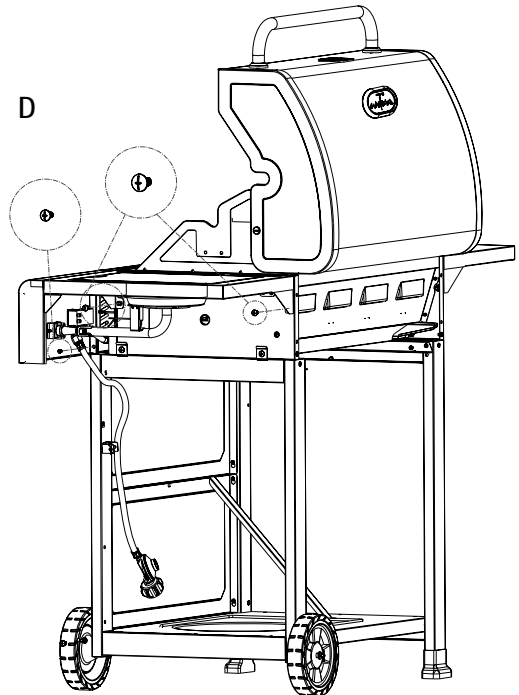
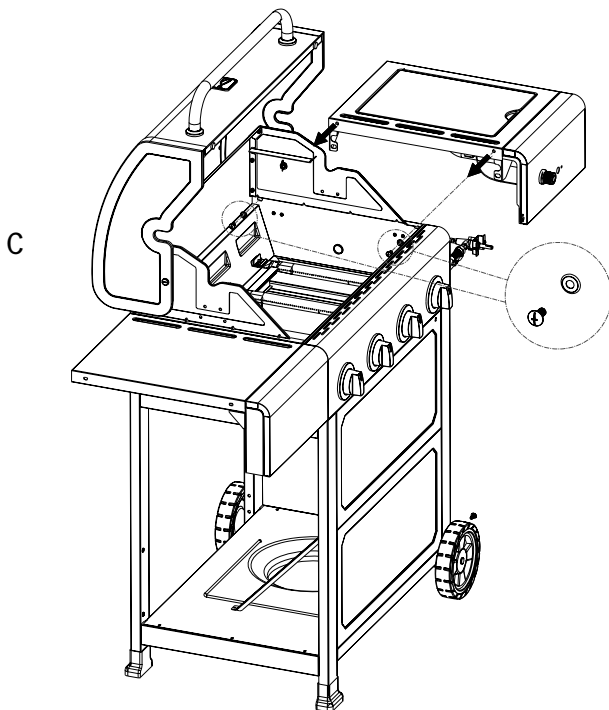
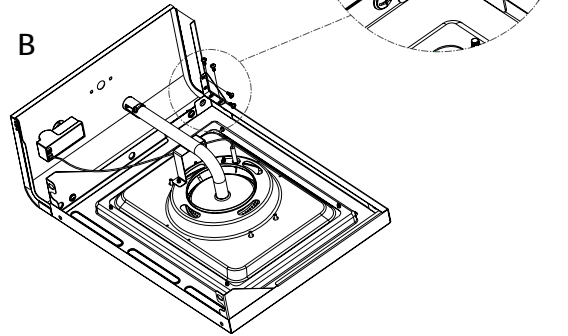
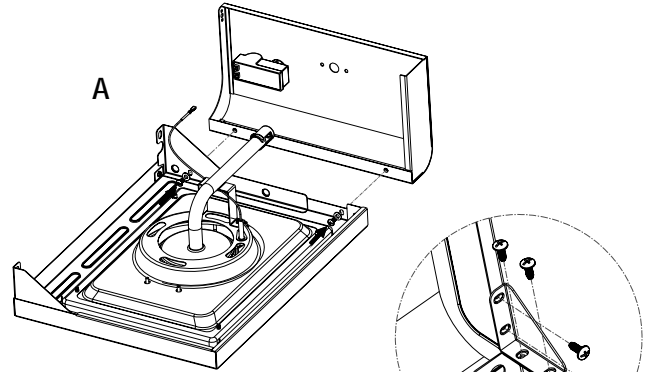
M6X13 screws Qty: 4 pcs



M6 compression washer Qty: 2 pcs



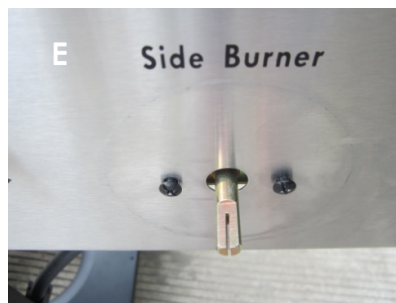
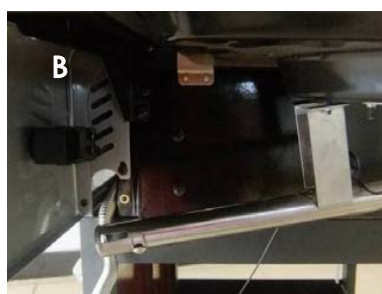
M4X10 screw Qty: 5 pc



# 9

## Side burner

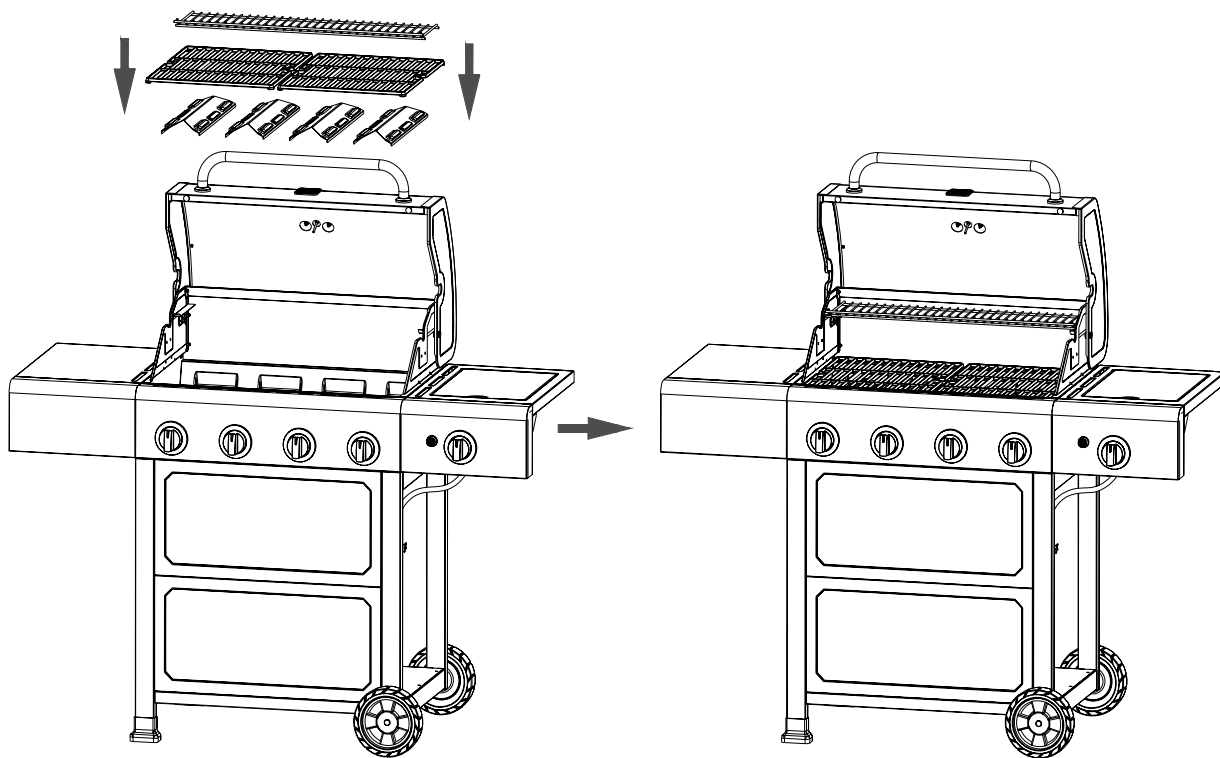
- Loosen side burner in side shelf. (B). To loosen, unscrew and remove two front screws and washers holding sideburner in place. (A). Note: Do not loosen electrode screw.
- Remove the 2 pre-installed screws from the valve stem and set them aside. (C)
- Insert valve stem through hole in fascia. (D). Install previously removed 2 screws. Note: Leave a 1/8-inch gap below the screw heads for bezel attachment. (E).
- Attach bezel to fascia and valve face with the installed screws. Make sure the black mark is facing up. (F). Tighten the 2 screws. (G)
- Place sideburner tube over the valve, making sure that valve is inside sideburner tube. (H)
- Push control knob onto sideburner valve stem. (I)
- Reattach sideburner to sideburner shelf with the 2 previously removed screws. Replace sideburner grate. (J)
- Connect both igniter wires to the igniter module on the inside of the right fascia. To connect, push igniter wire tips onto pins in igniter module. (K)
- Unscrew igniter cap from control panel. Insert (1) AA battery (provided in blister pack) into battery slot with positive end (+) facing outward. Screw igniter cap back onto panel. (L)



10

### Heat Diffusers, Cooking Grates and Warming Rack

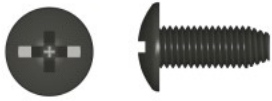
- Place Heat Diffusers over burners. Diffusers will fit in firebox in either direction.
- Place Cooking Grates onto grate rests at front and rear of Firebox.
- Insert warming rack into brackets at top of Firebox with Curved edge to front as shown.



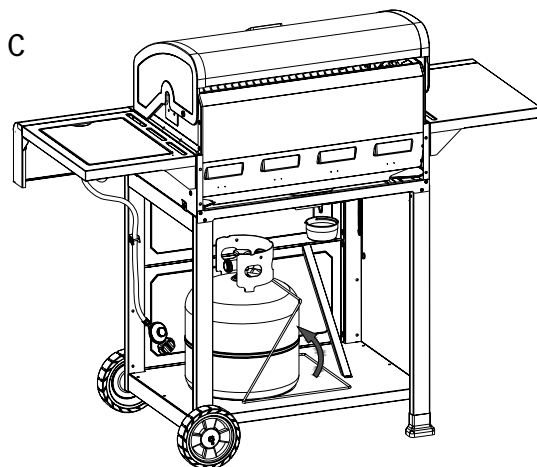
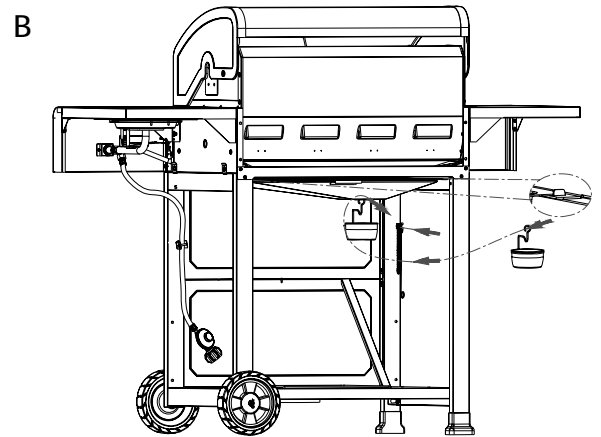
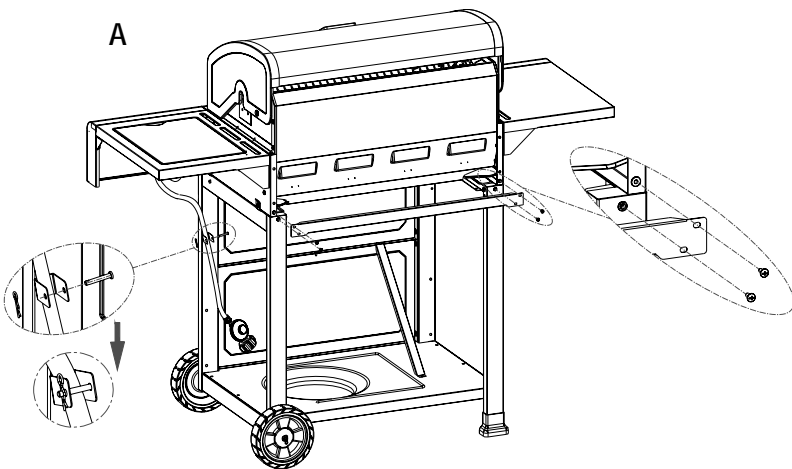
# 11

## Drip Tray, Drip Cup and LP Tank

- Attach Back Rail to the Cart and Grill Head with **(4) M4 × 10 Screws** as shown. (A)
- Remove the cotter key and retention pin from the hose bracket on cart right leg. Insert hose into bracket and replace cotter and pin.
- Hang Drip Cup Clip from bottom of drip tray, and insert Drip Tray into bottom of Firebox from back of cart. Fit Drip Cup into Drip Cup Clip. Insert Match Holder Chain into hole in Front Left Leg. (B)
- Place LP tank into hole in bottom shelf with tank collar opening facing to side as shown. (C)



M4X10 screw Qty: 4 pcs



**EMERGENCIES:** If a gas leak cannot be stopped, or a fire occurs due to gas leakage, call the fire department.

Gas leaking from cracked/cut/burned hose.	<ul style="list-style-type: none"> <li>• Damaged hose.</li> </ul>	<ul style="list-style-type: none"> <li>• Turn off gas at LP cylinder or at source on natural gas systems. If the hose is cracked or cut but not burned, simply replace valve / hose / regulator. If the hose is burned, the cause could be other than a faulty valve/hose/regulator. Discontinue use of grill until a plumber or gas technician has investigated and corrected the problem.</li> <li>• Replace LP cylinder.</li> </ul>
Gas leaking from LP cylinder.	<ul style="list-style-type: none"> <li>• Mechanical failure due to rusting or mishandling.</li> </ul>	<ul style="list-style-type: none"> <li>• Turn off LP cylinder valve. Return LP cylinder to gas supplier.</li> </ul>
Gas leaking from LP cylinder valve.	<ul style="list-style-type: none"> <li>• Failure of cylinder valve from mishandling or mechanical failure.</li> </ul>	<ul style="list-style-type: none"> <li>• Turn off LP cylinder valve. Remove regulator from cylinder and visually inspect rubber seal for damage. See LP Cylinder Leak Test and Connecting Regulator to the LP Cylinder.</li> </ul>
Gas leaking between LP cylinder and regulator connection.	<ul style="list-style-type: none"> <li>• Improper installation, connection not tight, failure of rubber seal.</li> </ul>	<ul style="list-style-type: none"> <li>• Turn off LP cylinder valve. Leave lid open to allow flames to die down. After fire is out and grill is cold, remove burner and inspect for spider nests or rust. See Spider Alert and Cleaning the Burner Assembly sections of this Use &amp; Care Guide.</li> </ul>
Fire coming through control panel.	<ul style="list-style-type: none"> <li>• Fire in burner tube section of burner due to blockage.</li> </ul>	<ul style="list-style-type: none"> <li>• Turn off control knobs and LP cylinder valve. Leave lid open to allow flames to die down. After cooling, clean food particles and excess Drip from inside firebox area, Drip tray, and other surfaces.</li> </ul>
Drip fire or continuous excessive flames above cooking surface.	<ul style="list-style-type: none"> <li>• Too much Drip buildup in burner area.</li> </ul>	

**Troubleshooting**

Problem	Possible Cause	Prevention/Solution
<p>Burner(s) will not light using ignitor. (See Electronic Ignition Troubleshooting also)</p> <p>Continued on next page.</p>	<p><b>GAS ISSUES:</b></p> <ul style="list-style-type: none"> <li>• Trying to light wrong burner.</li> <li>• Burner not engaged with control valve.</li> <li>• Obstruction in burner.</li> <li>• No gas flow.</li> <li>• Vapor lock at coupling nut to LP cylinder.</li> <li>• Coupling nut and LP cylinder valve not fully connected.</li> </ul> <p><b>ELECTRICAL ISSUES:</b></p> <ul style="list-style-type: none"> <li>• Electrode cracked or broken; "sparks at crack.</li> <li>• Electrode tip not in proper position.</li> <li>• Wire and/or electrode covered with cooking residue.</li> <li>• Wires are loose or disconnected.</li> <li>• Wires are shorting (sparking) between ignitor and electrode.</li> <li>• Dead battery.</li> </ul>	<ul style="list-style-type: none"> <li>• See instructions on control panel and in Use and Care section.</li> <li>• Make sure valves are positioned inside of burner tubes.</li> <li>• Ensure burner tubes are not obstructed with spider webs or other matter. See cleaning section of Use and Care.</li> <li>• Make sure LP cylinder is not empty. If LP cylinder is not empty, refer to "Sudden drop in gas flow."</li> <li>• Turn off knobs and disconnect coupling nut from LP cylinder. Reconnect and retry.</li> <li>• Turn the coupling nut approximately one-half to three-quarters additional turn until solid stop. Tighten by hand only - do not use tools.</li> <li>• Replace electrode (s).</li> </ul> <p>Main Burners:</p> <ul style="list-style-type: none"> <li>• Tip of electrode should be pointing toward gas port opening on burner. The distance should be 1/8" to 1/4". Adjust if necessary.</li> </ul> <p>Sideburner</p> <ul style="list-style-type: none"> <li>• Tip of electrode should be pointing toward gas port opening on burner. the distance should be 1/8" to 3/16". Adjust if necessary.</li> <li>• Clean wire and/or electrode with rubbing alcohol and clean swab.</li> <li>• Reconnect wires or replace electrode/wire assembly.</li> <li>• Replace ignitor wire/electrode assembly.</li> <li>• Replace with a new AA-size alkaline battery.</li> </ul>

## Troubleshooting (continued)

Problem	Possible Cause	
Burner(s) will not light using ignitor. (See Electronic Ignition Troubleshooting also)	<b>ELECTRONIC IGNITION:</b> <ul style="list-style-type: none"> <li>No spark, no ignition noise.</li> <li>No spark, some ignition noise.</li> <li>Sparks, but not at electrode or at full strength.</li> </ul>	<ul style="list-style-type: none"> <li>See Section I of Electronic Ignition System.</li> <li>See Section II of Electronic Ignition System.</li> <li>See Section III of Electronic Ignition System.</li> </ul>
Burner(s) will not match light.	<ul style="list-style-type: none"> <li>See "<b>GAS ISSUES:</b>" on previous page.</li> <li>Match will not reach.</li> <li>Improper method of match-lighting.</li> </ul>	<ul style="list-style-type: none"> <li>Use long-stem match (fireplace match).</li> <li>See "Match-Lighting" section of Use and Care.</li> </ul>
Sudden drop in gas flow or low flame.	<ul style="list-style-type: none"> <li>Out of gas.</li> <li>Excess flow valve tripped.</li> <li>Vapor lock at coupling nut/LP cylinder connection.</li> </ul>	<ul style="list-style-type: none"> <li>Check for gas in LP cylinder.</li> <li>Turn off knobs, wait 30 seconds and light grill. If flames are still low, turn off knobs and LP cylinder valve. Disconnect regulator. Reconnect regulator and leak-test. Turn on LP cylinder valve, wait 30 seconds and then light grill.</li> <li>Turn off knobs and LP cylinder valve. Disconnect coupling nut from cylinder. Reconnect and retry.</li> </ul>
Flames blow out.	<ul style="list-style-type: none"> <li>High or gusting winds.</li> <li>Low on LP gas.</li> <li>Excess flow valve tripped.</li> </ul>	<ul style="list-style-type: none"> <li>Turn front of grill to face wind or increase flame height.</li> <li>Refill LP cylinder.</li> <li>Refer to "Sudden drop in gas flow" above.</li> </ul>
Flare-up.	<ul style="list-style-type: none"> <li>Drip buildup.</li> <li>Excessive fat in meat.</li> <li>Excessive cooking temperature.</li> </ul>	<ul style="list-style-type: none"> <li>Clean burners and inside of grill/firebox.</li> <li>Trim fat from meat before grilling.</li> <li>Adjust (lower) temperature accordingly.</li> </ul>
Persistent Drip fire.	<ul style="list-style-type: none"> <li>Drip trapped by food buildup around burner system.</li> </ul>	<ul style="list-style-type: none"> <li>Turn knobs to OFF. Turn gas off at LP cylinder. Leave lid in position and let fire burn out. After grill cools, remove and clean all parts.</li> </ul>
Flashback... (fire in burner tube(s)).	<ul style="list-style-type: none"> <li>Burner and/or burner tubes are blocked.</li> </ul>	<ul style="list-style-type: none"> <li>Turn knobs to OFF. Clean burner and/or burner tubes. See burner cleaning section of Use and Care.</li> </ul>
Unable to fill LP cylinder.	<ul style="list-style-type: none"> <li>Some dealers have older fill nozzles with worn threads.</li> </ul>	<ul style="list-style-type: none"> <li>The worn nozzles don't have enough "bite" to engage the valve. Try a second LP dealer.</li> </ul>
One burner does not light from other burner(s).	<ul style="list-style-type: none"> <li>Drip buildup or food particles in end(s) of carryover tube(s).</li> </ul>	<ul style="list-style-type: none"> <li>Clean carry-over tube(s) with wire brush.</li> </ul>

## Troubleshooting - Electronic Ignition

Problem	Possible Cause	Check Item	Prevention/Solution
<b>SECTION I</b> No sparks appear at any electrodes when control knob turned to HI: no noise can be heard from spark module.	<ul style="list-style-type: none"> <li>Battery not installed properly.</li> <li>Dead battery.</li> <li>Button assembly not installed properly.</li> <li>Faulty spark module.</li> </ul>	<ul style="list-style-type: none"> <li>Check battery orientation.</li> <li>Has battery been used previously?</li> <li>Check to insure threads are properly engaged. Button should travel up and down without binding.</li> <li>If no sparks are generated with new battery and good wire connections, module is faulty.</li> </ul>	<ul style="list-style-type: none"> <li>Install battery (make sure that "+" and "-" connectors are oriented correctly, with "+" end up and "-" end down.)</li> <li>Replace battery with new AA-size alkaline battery.</li> <li>Unscrew button cap assembly and reinstall, making sure threads are aligned and engaged fully.</li> <li>Replace spark module assembly.</li> </ul>
<b>SECTION II</b> No sparks appear at any electrodes when control knob turned to HI; noise can be heard from spark module.	<ul style="list-style-type: none"> <li>Output lead connections not connected.</li> </ul>	<ul style="list-style-type: none"> <li>Are output connections on and tight?</li> </ul>	<ul style="list-style-type: none"> <li>Remove and reconnect all output connections at module and electrodes.</li> </ul>
<b>SECTION III</b> Sparks are present but not at all electrodes and/or not at full strength	<ul style="list-style-type: none"> <li>Output lead connections not connected.</li> <li>Electrical arc between output wires and grill frame.</li> <li>Weak battery.</li> <li>Electrodes are wet.</li> <li>Electrode(s) cracked or broken; sparks appear where cracked.</li> </ul>	<ul style="list-style-type: none"> <li>Are output connections on and tight?</li> <li>If possible, observe grill in dark location. Operate ignition system and look for arcing between output wires and grill frame.</li> <li>All sparks present but weak or at slow rate.</li> <li>Has moisture accumulated on electrode and/or in burner ports?</li> <li>Inspect electrodes for cracks.</li> </ul>	<ul style="list-style-type: none"> <li>Remove and reconnect all output connections at module and electrodes.</li> <li>If sparks are observed other than from burner(s), wire insulation may be damaged. Replace wires.</li> <li>Replace battery with a new AA-size alkaline battery.</li> <li>Use paper towel to remove moisture.</li> <li>Replace cracked or broken electrodes.</li> </ul>
<b>SECTION IV</b> Grill is not getting hot only reaches 250 – 300 degrees	<ul style="list-style-type: none"> <li>This typically occurs when you turn on your control knobs before you turn on the LP tank valve. If so this will activate the gas regulator safety device, the grill will only reach temperatures between 250 and 300F even with all burners on the high setting.</li> </ul>	<ul style="list-style-type: none"> <li>Are regulator on and right?</li> <li>Make sure regulator is connected properly to the tank, and control knobs are all in the off position.</li> </ul>	<ul style="list-style-type: none"> <li>Open the grill lid.</li> <li>Turn off all knobs on the control panel in front.</li> <li>Turn off the tank knob.</li> <li>Disconnect the regulator from the LP tank. Wait 30 seconds.</li> <li>Reconnect the regulator to the LP tank.</li> <li>Slowly open the LP tank knob all the way open. Do not put excessive force on the valve at the full open position to avoid damaging the valve.</li> <li>Turn on an appropriate control knob and light the grill per the lighting instructions.</li> </ul>

## PELIGRO

Si siente olor a gas:

1. Cierre el paso de gas al aparato.
2. Apague toda llama al descubierto.
3. Abra la tapa.
4. Si persiste el olor, aléjese del aparato y llame inmediatamente al proveedor local de gas o a los bomberos.

## ADVERTENCIA

1. No guarde ni use gasolina ni otros líquidos o gases inflamables cerca de éste ni de cualquier otro aparato.
2. No guarde un tanque de gas propano, que no esté conectado, cerca de éste ni de cualquier otro aparato.

**Póngase en contacto con el servicio de atención al cliente de Permasteel para obtener ayuda y piezas**

Si tiene preguntas o necesita asistencia durante el montaje, Por favor llame al 1-888-287-0735. M - F 8:00 - 5:00 Pacifico Usted estará hablando con un Representante del fabricante de la parrilla.

**Inscripción del producto**

IMPORTANTE: Llene la siguiente información.

Número de modelo \_\_\_\_\_

Número de serie \_\_\_\_\_  
El número de serie se encuentra en la etiqueta de especificaciones de la parrilla.

Fecha de compra \_\_\_\_\_

## CAUTION

Sólo para uso residencial. No utilice para la cocina comercial.

**Precauciones de instalación**

- Por favor lea este Manual del usuario en su totalidad antes de usar la parrilla.
- El incumplimiento de la instrucción proporcionada puede resultar en lesiones graves o daños a la propiedad.
- Algunas partes de esta parrilla pueden tener bordes afilados. Por favor, utilice guantes de protección adecuados.
- Parrilla de uso, como compró, únicamente con propano gas y theregulator/válvula suministrada.
- Parrilla de instalación debe cumplir con los códigos locales o en su ausencia de códigos locales, ya sea con el código nacional de Gas combustible, ANSI Z223.1 / NFPA 54, Gas Natural y propano instalación código, CSA B149.1, o almacenaje de propano y código de manipulación, B149.2 o la norma para vehículos recreativos, ANSI una 119.2/NFPA 1192 y CSA Z240 RV Series, código de vehículo recreativo, según sea el caso.
- Todos los accesorios eléctricos (como soporte) deben ser eléctricamente puesta a tierra según los códigos locales, o el código eléctrico nacional, ANSI / NFPA 70 o código eléctrico canadiense CSA C22.1. Mantenga cualquier cables eléctricos o mangueras de suministro de combustible de cualquier superficie caliente. • Esta parrilla es seguridad certificado para su uso en los Estados Unidos y Canadá solamente. No modifique para el uso en cualquier otro lugar. Modificación dará lugar a un riesgo de seguridad.

**IMPORTANT:** Esta parrilla está diseñada para uso al aire libre solamente y no pretende instalarse en o en remolques o barcos.

**NOTE TO INSTALLER:** Deje este Manual con el cliente después de la entrega o instalación.

**NOTE TO CONSUMER:** Deje este Manual en un lugar conveniente para referencia futura.

**Símbolos de seguridad**

Los símbolos y las cajas que se muestra a continuación explicaron lo que significa cada línea. Lea y siga todos los mensajes que se encuentran en el manual de.

## PELIGRO

PELIGRO: Indica una situación inminentemente peligrosa que, si no se evita, resultará en muerte o lesiones graves.

## ADVERTENCIA



ADVERTENCIA: Indica una situación potencialmente peligrosa que, si no se evita, podría resultar en lesiones graves o la muerte.

## CAUTION

CAUCIÓN: Indica una situación potencialmente peligrosa o una practica insegura que, si no se evita, podría resultar en lesiones menores o moderadas.

## ÍNDICE DE MATERIAS

Por su propia seguridad . . .	. . . 32
Centro de servicio para parrillas. . .	. . . 32
Información de inscripción de la garantía . . .	. . . 32
Símbolos de seguridad. . .	. . . 32
Medidas de seguridad para la instalación . . .	. . . 32
Garantía para la parrilla Kenmore . . .	. . . 34
Uso y mantenimiento . . .	. . . 35-41
Lista de piezas . . .	. . . 42
Vista esquemática de las piezas . . .	. . . 43
Armado . . .	. . . 44-47
Antes De La Asamblea . . .	. . . 48-58
Resolución de problemas . . .	. . . 59-61

 **ADVERTENCIA** 

Los subproductos de la combustión producidos al usar este producto incluyen monóxido de carbono, un químico conocido en el Estado de California como causante de defectos de nacimiento u otros daños reproductivos. Para obtener más información, vaya a [www.P65Warnings.ca.gov](http://www.P65Warnings.ca.gov)

---

## GARANTÍA

### GARANTÍA LIMITADA DE KENMORE

**CON LA PRUEBA DE VENTA:** se aplica la siguiente cobertura de garantía cuando este dispositivo se instala, opera y mantiene correctamente de acuerdo con todas las instrucciones suministradas. Nota: El consumidor es responsable del envío y manejo de todas las piezas de repuesto bajo garantía.

**POR UN AÑO:** a partir de la fecha de venta, esta parrilla está garantizada contra defectos en materiales o mano de obra, el consumidor recibirá piezas de repuesto gratis con el comprobante de compra, el consumidor es responsable del costo de S&H.

**POR CINCO AÑOS:** a partir de la fecha de venta, se reemplazará cualquier quemador de acero inoxidable que se corra o se quemé, se debe proporcionar un comprobante de compra, el consumidor es responsable del costo de envío y manejo.

Toda la cobertura de la garantía excluye las baterías de ignición y la pérdida de pintura, decoloración o corrosión de la parte de la parrilla, que son piezas fungibles que pueden desgastarse debido al uso normal dentro del período de garantía, o son condiciones que pueden ser el resultado de un uso normal, accidente o mantenimiento inadecuado .

Toda la cobertura de la garantía se anulará si este aparato se utiliza para fines distintos de los domésticos. Para obtener detalles de la cobertura de la garantía para obtener piezas de repuesto, visite la página web: [www.permasteel.net](http://www.permasteel.net)

### Esta garantía cubre SOLO defectos en materiales y mano de obra, y NO pagará por:

1. Artículos fungibles que pueden desgastarse debido al uso normal dentro del período de garantía, incluidas, entre otras, las baterías. Bombillas de luz de base a rosca y recubrimientos o acabados de superficie.
2. Un técnico de servicio para limpiar o mantener este dispositivo, o para instruir al usuario sobre la correcta instalación, operación y mantenimiento del dispositivo.
3. Llamadas de servicio para corregir la instalación del aparato que no realizan los agentes de servicio autorizados de Permasteel, o para reparar problemas con los fusibles de la casa, los disyuntores, el cableado de la casa y los sistemas de plomería o suministro de gas resultantes de dicha instalación.
4. Daños o fallas de este aparato como resultado de la instalación no realizada por los agentes de servicio autorizados de Permasteel, incluida la instalación que no estaba de acuerdo con los códigos de electricidad, gas o plomería.
5. Daño o falla de este aparato, incluida la decoloración o el óxido de la superficie, si no se opera y mantiene correctamente de acuerdo con todas las instrucciones suministradas.
6. Daño o falla de este aparato, incluida la decoloración o la oxidación de la superficie, como resultado de un accidente, alteración, abuso, mal uso o uso para otro propósito que no sea el previsto.
7. Daño o falla de este aparato, incluida la decoloración o la oxidación de la superficie, causado por el uso de detergentes, limpiadores, productos químicos o utensilios que no sean los recomendados en todas las instrucciones suministradas con el producto.
8. Daños o fallas de este artefacto resultantes de catástrofes naturales o de otro tipo, como inundaciones, incendios o tormentas.
9. Daño o falla de partes o sistemas que resulten de modificaciones no autorizadas hechas a este aparato.
10. Haga el servicio a un aparato si el modelo y la placa de serie faltan, se modifican o no se puede determinar fácilmente que tengan el logotipo de certificación adecuado.

### Renuncia de garantías implícitas; limitación de recursos

El único y exclusivo remedio del Cliente bajo esta garantía limitada será la reparación o el reemplazo del producto según lo dispuesto en el presente documento. Las garantías implícitas, incluidas las garantías de comercialización o adecuación para un propósito particular, están limitadas a un año en el aparato, y cinco años en los quemadores, o el período más corto permitido por la ley. El vendedor no será responsable por daños incidentales o consecuentes. Algunos estados y provincias no permiten la exclusión o limitación de daños incidentales o consecuentes, o la limitación en la duración de las garantías implícitas de comercialización o adecuación, por lo que estas exclusiones o limitaciones pueden no aplicarse a usted.

Esta garantía le otorga derechos legales específicos, y también puede tener otros derechos que varían de un estado a otro.

## UOS Y MANTENIMIENTO



- **NUNCA** guarde un cilindro de gas de repuesto debajo o cerca del aparato o en un **areacerrada**.



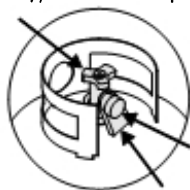
- Nunca llene un cilindro más allá del 80% completo.
- Si la información en los dos puntos anteriores no se siguen exactamente, un incendio causando la muerte o pueden producir lesiones graves.
- Un cilindro de un llenado excesivo o mal almacenado es un peligro debido a la liberación de gas posible de la válvula de seguridad. Esto podría causar un fuego intenso con riesgo de daños a la propiedad, lesiones graves o la muerte.
- Si usted observa, huele o escucha gas escapar, alejarse del cilindro de gas LP y el artefacto inmediatamente y llame a los bomberos.

### Remoción, transporte y almacenamiento del tanque de gas propano

- Apague todas las perillas de control y válvula de tanque de gas LP. Antihorario, la tuerca de acoplamiento con la mano solamente - no use herramientas para desconectar. Levante el tanque de LP alambre hacia arriba del cuello de tanque de LP, luego levante el tanque de gas LP y de soporte. Instale la tapa de seguridad en la válvula del tanque de gas LP. Use siempre correa provista de válvula y tapa.

No usar el tapón de seguridad según las instrucciones puede resultar en lesiones personales graves y/o daños a la propiedad.

LP Tank Valve



Safety Cap

Retainer Strap

- Un tanque de gas LP desconectado en almacenamiento o transporte debe tener una tapa de seguridad instalada (como se muestra). No almacene un tanque de gas LP en espacios cerrados como una cochera, garaje, porche, patio cubierto u otro edificio. Nunca deje un tanque de gas LP dentro de un vehículo que puede ser recalentado por el sol.
- No almacene un tanque de gas LP en un área donde los niños juegan.

### Tanque de gas propano

- El cilindro de gas LP con la parrilla debe cumplir los siguientes requisitos:

- Utilice cilindros de propano licuado solo con estas medidas requiere: 12" (30,5 cm) (diámetro) x 18" (45.7 cm) (alto) con 20 libras (9 kg.) Capacidad máxima.
- Cilindros de propano licuado deben ser y de acuerdo con las especificaciones para cilindros de propano del Departamento de transporte de Estados Unidos (DOT) o de Canadá, CAN/CSA-B339 cilindros, esferas y tubos para el transporte de mercancías peligrosas. Transporte Canadá (TC). Ver collar del tanque LP para la marca.

- Válvula de cilindro de gas LP debe tener:
- Enchufe del tipo 1 compatible con el regulador o la parrilla.

- Válvula de descarga de seguridad.
- La UL enumerada sobrellena Protection Device (OPD). Esta característica de la seguridad de OPD es identificada por un manubrio triangular único. Utilice solamente los cilindros del



OPD Hand Wheel

LP equipados de este tipo de válvula.

- El cilindro del LP debe ser arreglado para el retiro del vapor e incluir el collar para proteger la válvula del cilindro del LP. Mantenga siempre los cilindros del LP la posición vertical durante uso, tránsito o almacenaje.



Cilindro del LP en la posición vertical para el retiro del vapor

### El gas propano (GLP)

- El gas del LP es no tóxico, inodoro y descolorido cuando está producido. Para su seguridad, el gas del LP se ha dado un olor (similar a la col putrefacta) para poderla oler.
- El gas del LP es altamente inflamable y puede encender inesperado cuando está mezclado con aire.

### Carga de los tanques de gas propano 05349-40500318\*35

- Utilice solamente los distribuidores licenciados y experimentados.
- El distribuidor del LP debe purgar el cilindro nuevo antes de llenar.
- El distribuidor debe NUNCA llenar el cilindro más el de 80% del LP del volumen del cilindro del LP. El volumen de propano en cilindro variará por temperatura.
- Un regulador escarchado indica que el gas sobrellena. La válvula inmediatamente cercana y la llamada LP local del cilindro del LP proveen de gas a distribuidor para la ayuda.
- No lance el gas líquido del propano (LP) en la atmósfera. Esto es una práctica peligrosa.
- Para quitar el gas del cilindro del LP, entre en contacto con a distribuidor del LP o llame un cuerpo de bomberos local para la ayuda. Compruebe la guía de telefonos bajo "compañías del gas" para saber si hay distribuidores certificados más cercanos del LP.

## Cambio del tanque de gas

- Muchos comerciantes minoristas que venden parrillas, le ofrecen la opción de cambiar su tanque de gas vacío mediante un servicio de recambio. Emplee únicamente empresas de recambio de buena reputación, que inspeccionen, carguen con precisión, verifiquen y certifiquen sus cilindros. **Cambie su tanque sólo por otros tanques equipados con el dispositivo de seguridad volumétrica que se describe en la sección de *Tanques de gas* de este manual.**
- Siempre mantenga los tanques de gas, nuevos y de repuesto, en posición vertical durante su uso, su transporte o su almacenamiento.
- **Verifique que los tanques de gas, nuevos o de recambio, no tengan fugas ANTES de conectarlos a la parrilla.**

### Prueba para detectar fugas del tanque de gas propano Por su propia seguridad

- La prueba de escape debe ser repetida cada vez que se intercambia o se rellena el tanque del LP.
- No fume durante prueba de escape.
- No utilice una llama abierta a la comprobación para escapes del gas.
- La parrilla debe ser escape probado al aire libre en un área bien-ventilada, lejos de fuentes de ignición tales como aplicaciones de gas o eléctricas. Durante prueba de escape, parrilla de la subsistencia lejos de las llamas abiertas o chispas.
- Utilice una brocha limpia y solución una 50/50 suave del jabón y del agua. Cepille la solución jabonosa sobre las áreas indicadas por las flechas en figura abajo. Los escapes son indicados creciendo burbujas.

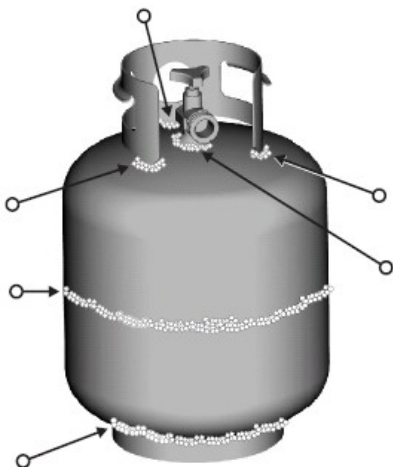


## ADVERTENCIA



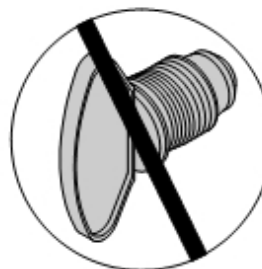
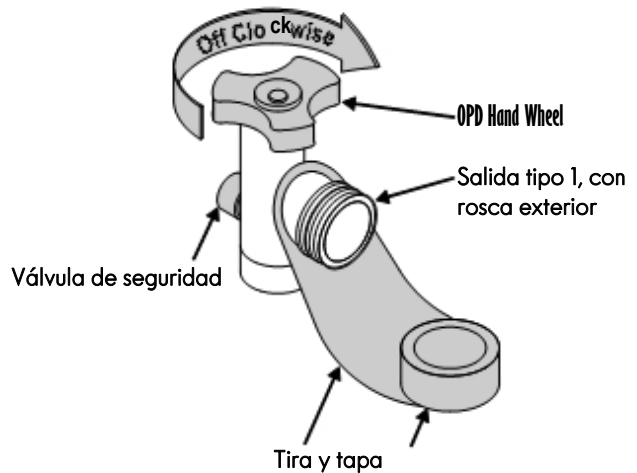
Si aparecen burbujas que aumentan de tamaño, no use ni mueva el tanque de gas. ¡Comuníquese con el proveedor de gas propano o con los bomberos!

▲ **No use productos de limpieza del hogar.** Esto puede dañar los componentes del circuito de gas.



## Como conectar el regulador al tanque de gas propano

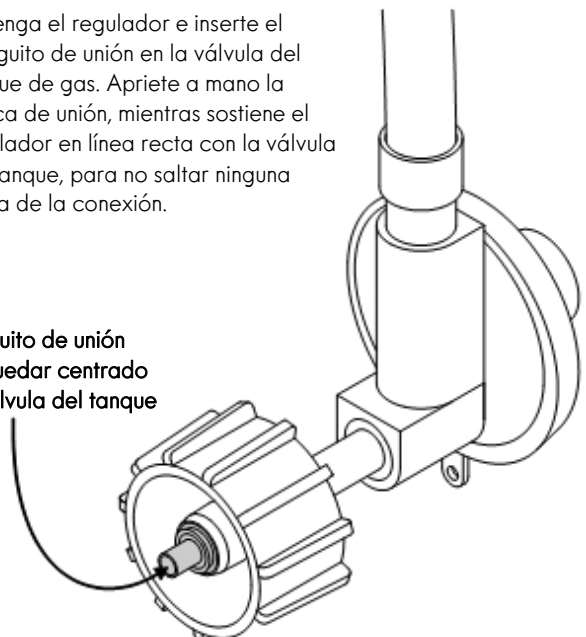
1. El tanque del LP se debe asegurar correctamente sobre parrilla. (Refiera a la sección de la asamblea.)
2. Dé vuelta a todas las perillas de control a la posición de reposo.
3. Dé vuelta al tanque del LP APAGADO dando vuelta al manubrio de OPD a la derecha a una parada completa.
4. Quite la tapa protectora de la válvula del tanque del LP. Utilice siempre el casquillo y la correa proveídos de la válvula.

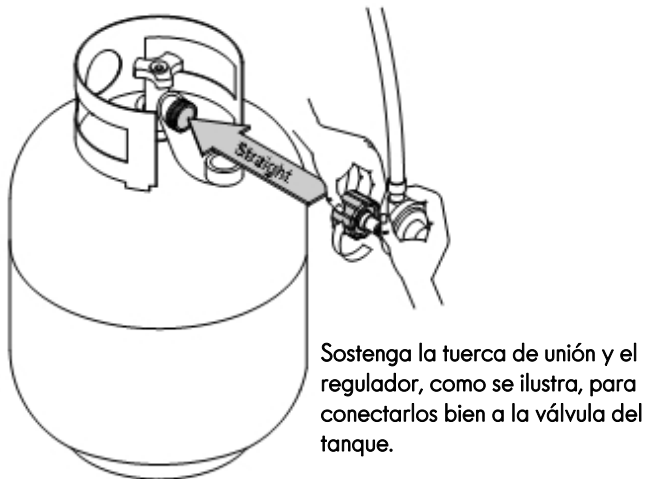


No use un tapón POL para transporte (la pieza de plástico con roscas en el exterior). Anulará la característica de seguridad de la válvula.

5. Sostenga el regulador e inserte el manguito de unión en la válvula del tanque de gas. Apriete a mano la tuerca de unión, mientras sostiene el regulador en línea recta con la válvula del tanque, para no saltar ninguna rosca de la conexión.

El manguito de unión debe quedar centrado en la válvula del tanque de gas.





Sostenga la tuerca de unión y el regulador, como se ilustra, para conectarlos bien a la válvula del tanque.

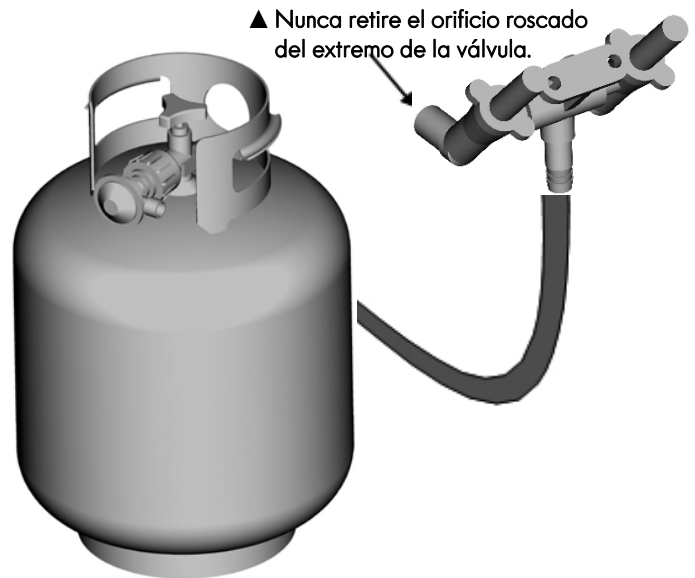
- Gire la tuerca de unión en el sentido de las agujas del reloj, apretándola hasta que no se mueva más. El regulador formará un sello en el dispositivo de seguridad de la válvula del tanque, lo que creará cierta resistencia. **Se deberá hacer girar la tuerca entre un cuarto y tres cuartos de vuelta adicionales, para completar la conexión. Apriétela a mano únicamente -- no use herramientas.**

**NOTA:**

Si no puede completar la conexión, desconecte el regulador y repita los pasos 5 y 6. Si a pesar de haberlo hecho, todavía no puede completar la conexión, **¡no use este regulador 1-888-287-0735 M - F 8:00 - 5:00 Pacífico.**

**Prueba para detectar fugas de las válvulas, las mangueras y el regulador**

- Gire todas las perillas de control de la parrilla a la posición de APAGADO.
- Cerciórese de que el regulador esté bien conectado al tanque de gas.
- Abra por completo la válvula del tanque, girando la manilla en sentido contrario a las agujas del reloj. Si escucha un *sonido de ráfaga*, cierre de inmediato el paso de gas. La conexión tiene una fuga considerable. **Corrija esta situación antes de continuar 1-888-287-0735.**
- Aplique solución jabonosa con la brocha, en las áreas marcadas con un círculo en la ilustración que sigue.



	<b>PELIGRO</b>	
<ul style="list-style-type: none"> <li>No introduzca ninguna herramienta ni ningún objeto extraño en la salida de la válvula ni en la válvula de seguridad. Puede dañarla y causar una fuga. Las fugas de gas propano pueden causar explosiones, incendios, lesiones graves o la muerte.</li> </ul>		

	<b>ADVERTENCIA</b>	
<ul style="list-style-type: none"> <li>El aparato a gas para uso al aire libre no ha sido diseñado para ser instalado en embarcaciones.</li> <li>El aparato a gas para uso al aire libre no ha sido diseñado para ser instalado en vehículos de recreo.</li> <li>Nunca trate de conectar esta parrilla al sistema de gas propano independiente de un remolque de recreo o de una casa rodante.</li> <li>No use la parrilla sin antes haber verificado que no tenga fugas.</li> <li>En caso de detectar una fuga en cualquier momento, <b>DETÉNGASE</b> y llame a los bomberos.</li> <li>Si no puede detener una fuga de gas, ¡cierre de inmediato la válvula del tanque de gas y llame al distribuidor o a los bomberos!</li> </ul>		

- Si aparecen burbujas **que aumentan de tamaño**, existe una fuga. Cierre de inmediato la válvula del tanque de gas y vuelva a apretar las conexiones. **Si no puede eliminar las fugas, no intente repararlas.** Solicite una pieza de repuesto. Encargue las piezas nuevas indicando el número de serie, de modelo y el nombre de las piezas que requiera (vea la lista de piezas), llamando al centro de servicio para parrillas al 1-888-287-0735.
- Después de hacer una prueba para detectar fugas, cierre siempre la válvula del tanque de gas, girando la manilla en el sentido de las agujas del reloj.

# ⚠️ ADVERTENCIA ⚠️

## Para usar su parrilla en forma segura y para evitar lesiones graves:

- No deje que los niños usen la parrilla ni que jueguen cerca de la misma.
- Mantenga el área de la parrilla limpia y sin materiales combustibles.
- No obstruya los agujeros laterales ni los de la parte posterior de la parrilla.
- Revise periódicamente las llamas del quemador.
- Use la parrilla sólo en lugares bien ventilados. **NUNCA** la use en lugares cerrados tales como cocheras, garajes, porches, patios techados o debajo de superficies de ningún tipo.
- No use carbón ni briquetas de cerámica en una parrilla a gas. *(Salvo que las briquetas vengan con su parrilla.)*
- **Use la parrilla al menos a 3 pies de distancia de cualquier pared o superficie.** Deje un espacio de 10 pies entre la parrilla y los objetos que puedan incendiarse o que sean fuentes de ignición, tal como las llamas de encendido de calentadores de agua, electrodomésticos conectados,



- **Para personas que viven en apartamentos:**  
Pídale al administrador que le indique los requisitos y los códigos contra incendios que corresponden al uso de parrillas de gas propano en un edificio de apartamentos. Si se le permite usarla, hágalo al aire libre, en la planta baja, dejando un espacio libre de tres (3) pies entre la parrilla y las paredes o las barandillas. No la use en balcones o debajo de los mismos.
- **NUNCA trate de encender el quemador con la tapa cerrada. Las acumulaciones de gas no encendido en las parrillas tapadas son peligrosas.**
- **Nunca use la parrilla si el tanque de gas no está en la posición correcta que se especifica en las instrucciones de ensamblado.**
- **Siempre cierre la válvula del tanque de gas y retire la tuerca de unión antes de mover el tanque del sitio específico de uso.**

## Consejos de seguridad

- ▲ Verifique que la tuerca de unión esté bien apretada antes de abrir la válvula del tanque de gas.
- ▲ Cuando no use la parrilla, cierre todas las perillas de control y la válvula del tanque de gas.
- ▲ Si la aplicación al aire libre del gas que cocina no es adentro uso, el gas se debe dar vuelta apagado en el cilindro de la fuente. El almacenaje de una aplicación al aire libre del gas que cocina dentro es permitido solamente si el cilindro se desconecta y se quita de la aplicación.
- ▲ Nunca mueva la parrilla cuando la esté usando o mientras está caliente.
- ▲ Use utensilios para parrilla de mango largo y guantes para hornear, para evitar quemaduras y salpicaduras.
- ▲ El peso máximo que soportan los estantes laterales es 10 lb.
- ▲ La lata para la grasa **debe** estar colocada en su presilla, y se debe vaciar cada vez, después de usarla. No retire la lata para la grasa hasta que la parrilla se haya enfriado por completo.
- ▲ Limpie la parrilla con frecuencia; de preferencia cada vez después de usarla. Si utiliza un cepillo de cerdas para limpiar las superficies para cocinar, antes de usar la parrilla verifique que no queden cerdas sueltas sobre éstas. Se recomienda no limpiar las superficies para cocinar cuando la parrilla esté aún caliente.
- ▲ Si observa que de la parrilla caen gotas de grasa u otras sustancias calientes a la válvula, la manguera o el regulador, cierre inmediatamente el paso de gas. Establezca la causa, corrija el problema, limpie e inspeccione la válvula, la manguera y el regulador, antes de proseguir. Haga una prueba para detectar fugas.
- ▲ El regulador puede emitir un sonido zumbante o sibilante durante su uso. Esto no afectará la seguridad ni el uso de la parrilla.
- ▲ Utilice solamente el regulador de presión y el montaje de manguera provistos de esta parrilla. El regulador de presión del reemplazo y los montajes de manguera deben ser especificados o provisto cerca.
- ▲ Si tiene un problema con la parrilla, lea la sección de *Resolución de*

# ⚠️ CAUTION ⚠️

- No es posible apagar los fuegos provocados por la grasa cerrando la tapa. Por razones de seguridad, las parrillas tienen aberturas de ventilación.
- No use agua para apagar los fuegos provocados por la grasa. Esto puede ocasionar lesiones. Si surge un fuego provocado por la grasa, cierre las perillas y el tanque de gas.
- No deje desatendida la parrilla cuando la esté precalentando o usando la alta temperatura para quemar los residuos de comida. Si no se ha limpiado, periódicamente la parrilla, se puede presentar un fuego provocado por la grasa, que puede dañar al producto.

## Como usar el encendedor

- ▲ Do not lean over grill while lighting.
- 1. Abra la tapa durante la iluminación.
- 2. Abra la válvula de gas en el tanque.
- 3. Empuje y gire cualquier perilla principal de control del quemador a **HI**. Y tiene en. Se escuchará un sonido de clic de los electrodos de todos los quemadores.
- 4. Si **NO** se enciende en 5 segundos, gire la perilla de control del quemador, espere 5 minutos y repita el proceso de encendido
- 5. Para encender otro quemador principal, repita el paso 3.
- 6. Para encender el quemador abrasador, siga los pasos 2-4 usando el mando del quemador abrasador.

Si el encendedor no funciona, siga las instrucciones de ajuste de la iluminación



## ADVERTENCIA



Gire los controles y la fuente de gas o el tanque a la posición OFF cuando no esté en uso.



## PRECAUCIÓN

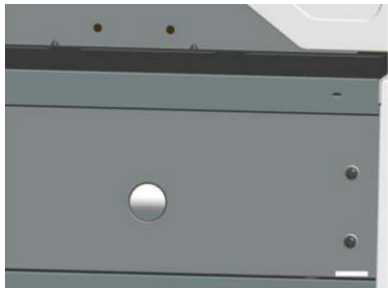


Si la ignición NO ocurre en 5 segundos, apague los controles del quemador, espere 5 minutos y repita el procedimiento de encendido. Si el quemador no se enciende con la válvula abierta, el gas continuará saliendo del quemador y podría encenderse accidentalmente con riesgo de lesiones.

### Instrucciones de encendido Match

▲ No se incline sobre la parrilla mientras se enciende.

1. Abra la tapa durante la iluminación.
2. Coloque el fósforo en el soporte para fósforos (colgando en la pata delantera izquierda dentro del gabinete).
3. Empareje la luz e inserte el soporte para fósforos a través del orificio de iluminación en el lado izquierdo de la cámara de combustión. Alinee el fósforo encendido con el primer quemador a la izquierda.
4. Gire la perilla del primer quemador izquierdo a la posición HI. Asegúrese de que el quemador se encienda y permanezca encendido. Retire el soporte del fósforo de la caja de fuego y apague el fósforo.
5. Para encender otros quemadores, gire cada mando en sucesión a HI.
6. Una vez que los quemadores estén encendidos, ajuste los mandos a la configuración de llama deseada. Para apagar un quemador individual, gire su perilla a la posición OFF



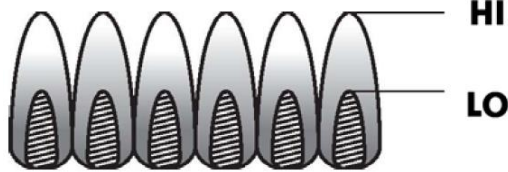
### Quemador lateral Match Lighting

1. Abra la tapa del quemador lateral. Encienda el gas en el cilindro LP
2. Coloque una cerilla encendida cerca del quemador.
3. Gire la perilla del quemador lateral a HI. Asegúrese de que el quemador se encienda y permanezca encendido.



### Comprobación de llama del quemador

• Retire las parrillas de cocción y los difusores de calor. Quemadores de luz, gire perillas de HI a LO. Debería ver una llama más pequeña en la posición LO que se ve en HI. Realice la verificación de la llama del quemador en el quemador lateral, también. Siempre revise la llama antes para cada uso. Si solo se ve poca llama, consulte "Caída de llama repentina o baja llama" en la sección de solución de problemas.



### Apagar la parrilla

• Retire todas las perillas a la posición OFF. Apague el cilindro de LP. Cuando termine de asar, levante la tapa de la parrilla y deje que la parrilla se enfríe por completo. Si la tapa de la parrilla se cierra durante el enfriamiento de la parrilla, se puede producir condensación en las superficies interiores de la parrilla y posiblemente se oxide.

### Igniter Check

• Apague el gas en el cilindro LP. Mantenga presionado el botón del encendedor electrónico. Se debe escuchar "clic" y se debe ver chispa cada vez entre la caja colectora o el quemador y el electrodo. Consulte "Solución de problemas" si no hay clic o chispa.

### Chequeo de las válvulas

• Importante: Asegúrese de que el gas esté apagado en el cilindro LP antes de revisar las válvulas.

Las perillas se bloquean en la posición OFF. Para revisar las válvulas, primero empuje las perillas y suéltelas, las perillas deben retroceder. Si las perillas no retroceden, reemplace el conjunto de la válvula antes de usar la parrilla. Gire los mandos a la posición BAJA y luego vuelva a la posición OFF. Las válvulas deben girar suavemente.

### Comprobación de manguera

• Antes de cada uso, verifique si las mangueras están cortadas o desgastadas. Reemplace las mangueras dañadas antes de usar la parrilla. Use solo la válvula / manguera / regulador como se especifica en la lista de piezas de esta Guía de uso y cuidado.

### Condimento de rejilla de hierro fundido (si corresponde)

**Primer uso**—Antes del primer uso, sazone las rejillas de hierro fundido de la siguiente manera: Enjuague las rejillas de hierro fundido con agua caliente. No uses jabón. Seque las parrillas completamente con una toalla de tela. Cubra las parrillas con aceite vegetal o aerosol antiadherente para cocinar. Coloque las parrillas en la parrilla. Arranque la parrilla y lentamente eleve la temperatura a 350 ° - 400 ° F. Calienta las parrillas por una hora. Apague la parrilla y permita que las parrillas se enfríen completamente antes de usar para cocinar.

**Limpieza:** no use jabón cuando limpie las parrillas. Limpie las parrillas con un cepillo duro y agua caliente. Seque las parrillas completamente con una toalla de tela. **Volver a condimentar:** reponga las parrillas cuando aparezcan manchas de óxido e la superficie de la parrilla. Al volver a condimentar las rejillas, se puede usar jabón con agua caliente para limpiar las rejillas. Después de la limpieza, seque las parrilla completamente con una toalla de tela. Cubra las parrillas con aceite vegetal o antiadherente

**Spray para cocinar.** Coloque las parrillas en la parrilla. Arranque la parrilla y lentamente eleve la temperatura a 350 ° - 400 ° F. Calienta las parrillas por una hora. Apague la parrilla y permita que las parrillas se enfríen completamente antes de volver a usarla.

### Limpieza general de parrilla

• No confunda la acumulación marrón o negra de grasa y humo con la pintura. Los interiores de las parrillas de gas no están pintados en la fábrica (**y nunca debe ser pintado**). Aplique una solución fuerte de detergente y agua o use un limpiador para parrillas con un cepillo para fregar en el interior de la tapa y el fondo de la parrilla. Enjuague y deje secar completamente al aire. **No aplique una parrilla cáustica / limpiador de hornos a las superficies pintadas.**

• **Superficies de porcelana:** Debido a la composición similar al vidrio, la mayoría de los residuos se pueden limpiar con una solución de bicarbonato de soda / agua o un limpiador especialmente formulado. Use polvo abrasivo no abrasivo para manchas difíciles.


- **Piezas plásticas:** Lávelas con agua jabonosa tibia y séquelas con un paño
- **Superficies de porcelana:** Debido a su composición vítrea, la mayoría de los residuos se puede eliminar con un paño empapado en una solución de bicarbonato de soda y agua, o con un limpiador especialmente formulado. Use un polvo limpiador no abrasivo para las manchas difíciles de eliminar.
- **Superficies pintadas:** Lávelas con un detergente suave o un limpiador no abrasivo y agua tibia jabonosa. Séquelas con un paño suave, no abrasivo.
- **Superficies para cocinar:** Si utiliza un cepillo de cerdas para limpiar las superficies para cocinar, antes de usar la parrilla verifique que no queden cerdas sueltas sobre éstas. Se recomienda no limpiar las superficies para cocinar cuando la parrilla esté aún caliente.

### Cómo guardar su parrilla

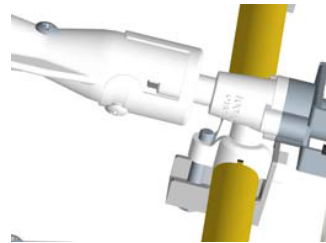
- Limpie las parrillas de cocción.
- Guárdela en un lugar seco.
- Cuando el tanque de gas esté conectado a la parrilla, guárdela al aire libre, en un lugar bien ventilado y fuera del alcance de los niños.
- Cubra la parrilla si la guarda al aire libre. El fabricante tiene a su disposición una variedad de cubiertas para parrillas.
- SOLO guarde la parrilla bajo techo si se ha cerrado el paso y desconectado el tanque de gas, retirándolo de la parrilla y guardándolo al aire libre.

### Cómo limpiar la unidad del quemador

Siga estas instrucciones para limpiar o cambiar piezas de la unidad del quemador, o si tiene problemas para encender la parrilla.

1. Cierre el paso de gas en las perillas de control y desde el tanque de gas.
  2. Retire las parrillas de cocción y Termodisipador.
  3. Retire los tornillos y los tubos de arrastre de la parte posterior de los quemadores.
  4. Retire los tornillos y las arandelas para desconectar el quemador del soporte de la cámara de combustión.
    - (A) Doble un alambre rígido (un gancho de alambre para ropa sirve bien) para formar un gancho pequeño. Pase varias veces el gancho a través del tubo de cada quemador.
- 
5. Levante y retire cuidadosamente cada quemador de las aberturas de la válvula.
  6. Cepille con un cepillo de alambre toda la superficie exterior del quemador para eliminar los residuos de comida y la suciedad.
  7. Limpie todo puerto que esté atascado con un alambre rígido, tal como un sujetapapeles.
    - (B) Use un cepillo delgado de botella, de mango flexible (no use un cepillo de alambre de latón), páselo varias veces a través del tubo de cada quemador.
    - (C) Use protección para los ojos: Use una manguera de aire para forzar el aire en el tubo del quemador y fuera de los puertos del quemador. Revise cada puerto para asegurarse de que salga aire por cada orificio.

**MUY IMPORTANTE:** los tubos del quemador deben volver a conectar las aberturas de la válvula. Vea las ilustraciones a continuación.

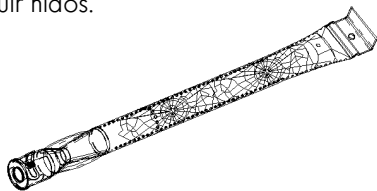


8. Substituya cuidadosamente las hornillas.
9. Una las hornillas a los soportes con la chaveta.
10. Coloque los tubos de la adherencia al cilindro de nuevo y únalos a las hornillas. Substituya los difusores del calor y las rejillas el cocinar.

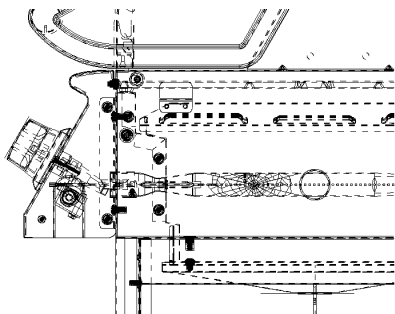


## ALERTA ARAÑA!

IMPORTANTE: Asegúrese siempre de que los tubos del quemador venturi estén limpios. Un tubo de quemador venturi tiene un área estrecha en la que las arañas tienden a construir nidos.

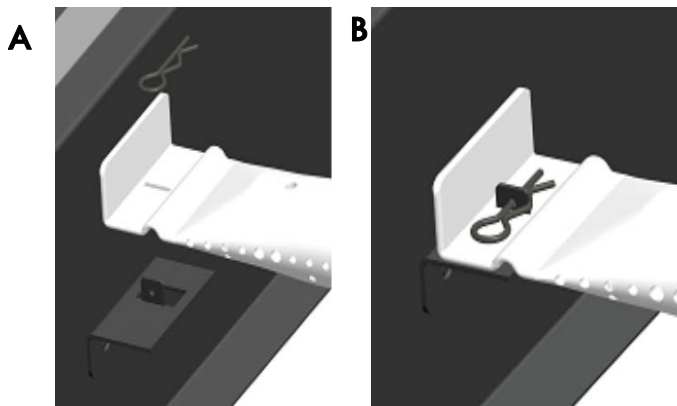


Si nota que su parrilla se está volviendo difícil de encender o que la llama no es tan fuerte como debería ser, tómese el tiempo para revisar y limpiar los venturi.



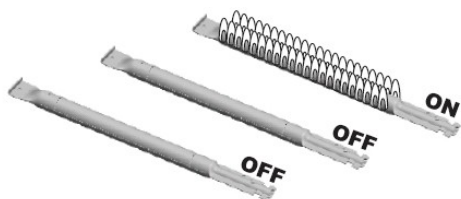
Las arañas y los insectos pequeños han producido "fogonazos". Las arañas tejen sus telas, hacen sus nidos y ponen sus huevos en los tubos Venturi de las parrillas, que obstruyen el paso del gas al quemador. El gas que se acumula dentro de los tubos Venturi, ubicados en la parte posterior del tablero de control, se puede encender. A esto se le llama "fogonazo", y puede dañar su parrilla e, incluso, puede producir lesiones.

Para evitar los fogonazos y garantizar el buen funcionamiento, retire la unidad del quemador y del tubo Venturi y límpielos antes de usar la parrilla, si no la ha usado durante un tiempo prolongado.



### Cocción indirecta

Las aves de corral y los cortes grandes de la carne cocinan lentamente a la perfección en la parrilla por calor indirecto. Coloque el alimento sobre las hornillas del unlit; el calor de encendió las hornillas circula suavemente a través de la parrilla, cocinando la carne o aves de corral sin el tacto de una llama directa. Este método reduce grandemente llamaradas al cocinar cortes grasos adicionales porque no hay llama directa para encender las grasas

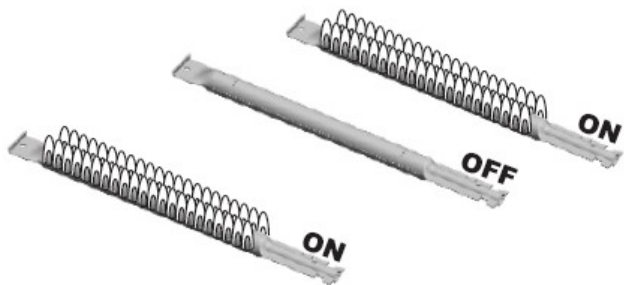


### 1 Burner Cooking

Cocinero con calor directo o indirecto. Lo más mejor posible para comidas o alimentos más pequeños. Consume menos combustible.

### Instrucciones de cocción indirectas

- Siempre cocinero con la tapa cerrada.
- Debido a las condiciones atmosféricas, tiempos de cocción puede variar. Durante condiciones frías y ventosas el ajuste de la temperatura puede necesitar ser aumentado para asegurar suficiente temperatura que cocina..
- Coloque las hornillas del unlit del excedente del alimento encima.



### 2 Burner Cooking

El gran cocinar indirecto en punto bajo. Produce lento, incluso calentando. Ideal para la asación y cocer al horno lentos.

### Cocción:

Cocine bien las carnes y las piezas de ave, para matar las bacterias. Use un termómetro para verificar que los alimentos alcancen la temperatura interna adecuada.

**Limpio:** Lave las manos, los utensilios, y las superficies con agua jabonosa caliente antes y después que maneja la carne y aves de corral crudas.

**Separado:** Carnes y aves de corral crudas separadas de los alimentos preparados para evitar la contaminación cruzada. Utilice un disco limpio y los utensilios al quitar los alimentos cocinados.

**Cocinero:** Cocine la carne y las aves de corral a fondo para matar a bacterias. Utilice un termómetro para asegurar temperaturas internas apropiadas del alimento.

**Frialdad:** Refrigere los alimentos y las sobras preparados puntualmente. Para más llamada de la información: Carne del USDA y teléfono directo de las aves de corral en 1-800-535-4555 (en Washington, C.C. (202) 720-3333, 10:00:00 P.M. EST).

### Cómo decir si la carne se asa a la parrilla a fondo

- La carne y las aves de corral cocinaron en una parrilla broncea a menudo muy rápidamente en el exterior. Utilice un termómetro de la carne para ser seguro que el alimento ha alcanzado una temperatura interna segura, y el corte en el alimento para comprobar para saber si hay muestras visuales del doneness.
- Las aves de corral enteras deben alcanzar 180° F; pechos, 170° F. Los jugos deben funcionar claramente y la carne no debe ser rosada.
- Las hamburguesas hechas de cualquier carne de tierra o ave de corral deben alcanzar 160° F, y sean marrones en el centro sin los jugos rosados. La carne de vaca, los filetes de la ternera y del cordero, las carnes asadas y las tajadas se pueden cocinar a 145° F. Todos los cortes del cerdo deben alcanzar 160° F.
- Ase a la parrilla NUNCA parcialmente la carne o las aves de corral y acabe el cocinar más adelante. Alimento del cocinero totalmente para destruir bacterias dañosas.
- Cuando los alimentos para llevar reheating o las carnes completamente cocinadas tienen gusto de perros calientes, ase a la parrilla a 165° F, o hasta cocer al vapor caliente.

**WARNING:** Para asegurarse de que sea seguro comer, el alimento se debe cocinar a las temperaturas internas mínimas enumeradas en la tabla abajo.

USDA* Recommended Safe Minimum Internal Temperatures	
Beef, Veal, Lamb and Pork – Whole Cuts**	145° F
Fish	145° F
Beef, Veal, Lamb and Pork – Ground	160° F
Egg Dishes	160° F
Turkey, Chicken & Duck – Whole, Pieces & Ground	165° F

\* Ministerio de Agricultura de Estados Unidos

\*\* Permita que la carne recline tres minutos antes de tallar o de consumir.

# LISTA DE PARTES

Clave	Descripción	Qty	Numero de parte	Clave	Descripción	Qty	Numero de parte
1	Tapa del quemador lateral	1	40800065	31	Estantería del fondo	1	52200073
2	Rejilla del quemador lateral	1	40800119	32	Panel frontal	2	40600028Z
3	Rote la vara, la tapa del quemador lateral	2	40800118	33	Lado inferior del carril	2	52200064
4	Lado de la base del quemador	1	52200052	34	El lado superior del carril	2	52200061
5	Quemador lateral	1	40600031	35	El tanque del bafle	1	40800090
6	Encendedor de alambre, quemador latera	1	52200054	36	Copa de goteo	1	40800026
7	Encendedor de alambre, quemador principal	1	52200035	37	Clip de goteo Copa	1	40800131
8	Lado derecho del estante	1	40900145	38	Bandeja de goteo	1	40600014
9	Caja de fuego	1	40600004	39	Soporte bandeja de goteo derecha	1	40600027
10	Módulo de encendido electrónico	1	40600030Z	40	Soporte bandeja de goteo izquierda	1	40600026
11	Fascia, Derecha Estante	1	41100023Z	41	Volver Rail	1	52200074
12	Panel de control	1	40100022Z	42	Fascia, del lado izquierdo del estante	1	40900040Z
13	La válvula de gas, quemador principal	4	40900205	43	Estante lateral izquierdo	1	40900143
14	Colector, quemador principal	1	40300037	44	Barra lateral del estante del ángulo de ayuda	2	40900109
15	Quemador lateral Manguera	1	40900210	45	El arrastre del tubo de llama	3	40300019
16	La válvula de gas, quemador lateral	1	40900209	46	Parrilla de cocción	2	40100101
17	Bisel, la perilla de control	5	40900500	47	Parachosques de caucho de silicona, caja de fuego	2	50300205
18	Perilla de control	5	40900206Z	48	Caucho de silicona parachosques, Tapa	2	40700103
19	Regulador	1	408D00115	49	Rejilla para calentar	1	40300104
20	Alex de Rod	1	408D00125	50	Mango de la tapa	1	40900012Z
21	Cadena portafósforos	1	120006	51	Bisel, mango de la tapa	2	40900013Z
22	Chaveta	10	110050	52	Separadores de la manija de la tapa	2	40700022
23	Pasador fijo de la manguera	1	40800134	53	Indicador de temperatura	1	41100101Z
24	Extender la pierna	2	40800127	54	Logo	1	40800106Z
25	Castor	2	40800124	55	Tapa	1	50500004Z
26	Derecha pata trasera	1	40600025	56	Difusor de calor	4	40800023
27	Frente de la pierna derecha	1	40600024	57	Girada Rod, la tapa	2	50300207
28	Pierna izquierda Frente	1	40600021	58	Arandela plana	3	110018
29	La pata trasera izquierda	1	40600022	59	Tuerca hexagonal	3	110011
30	Portatanque	1	40800130	60	Quemador	1	40600013
				61	Quemador principal	3	40600012

No en la foto

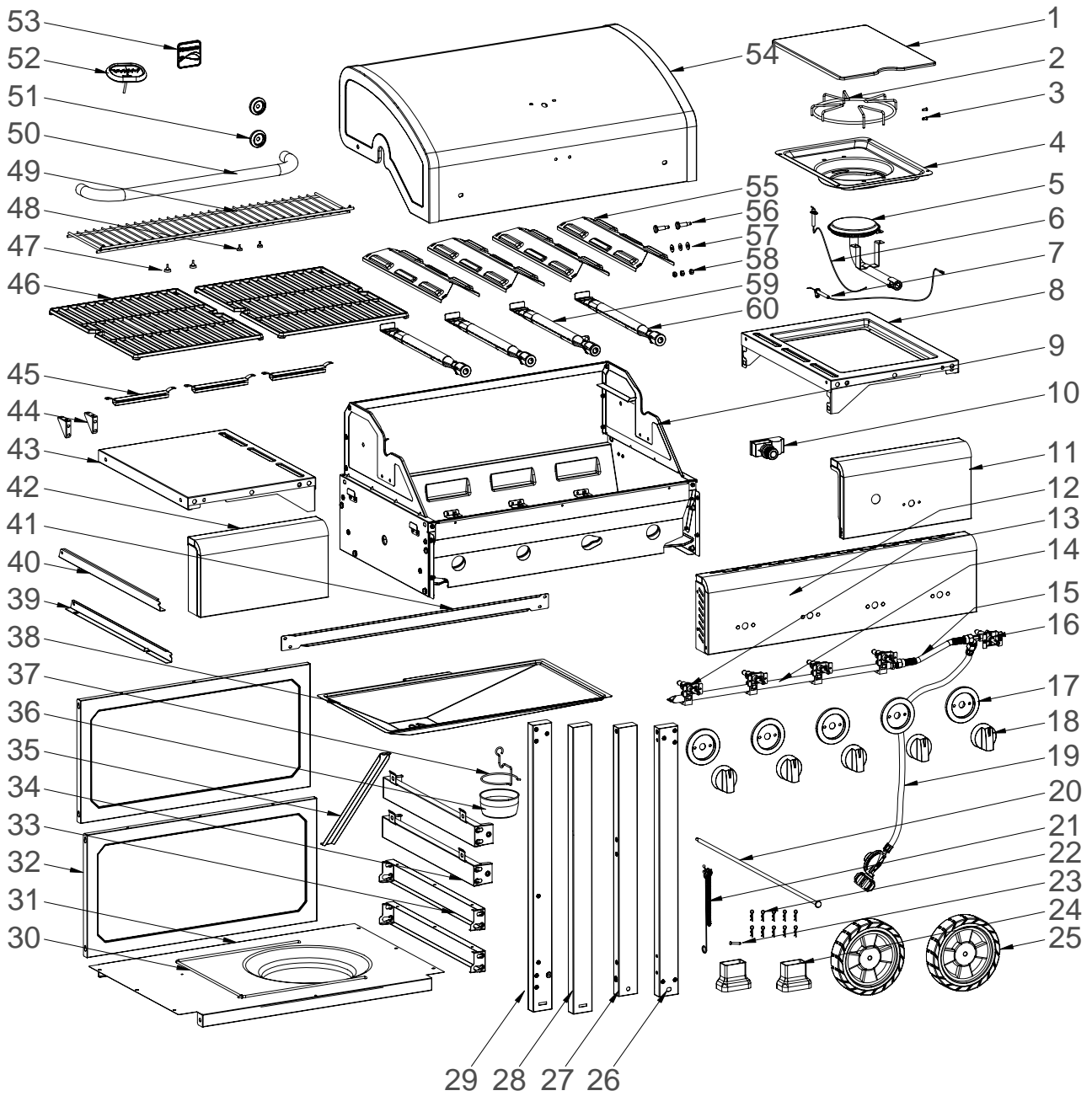
Paquete de hardware	1	40600049
Manual	1	40600050Z

Si le falta el hardware o que han deteriorado las partes después de desempaquetar parrilla, llame al 1-888-287-0735, M - F 8:00 - 5:00 Pacífico, para su sustitución.

Si falta o está dañada alguna pieza, llame al 1-888-287-0735, M - F 8:00 - 5:00 Pacífico, para su reposición.

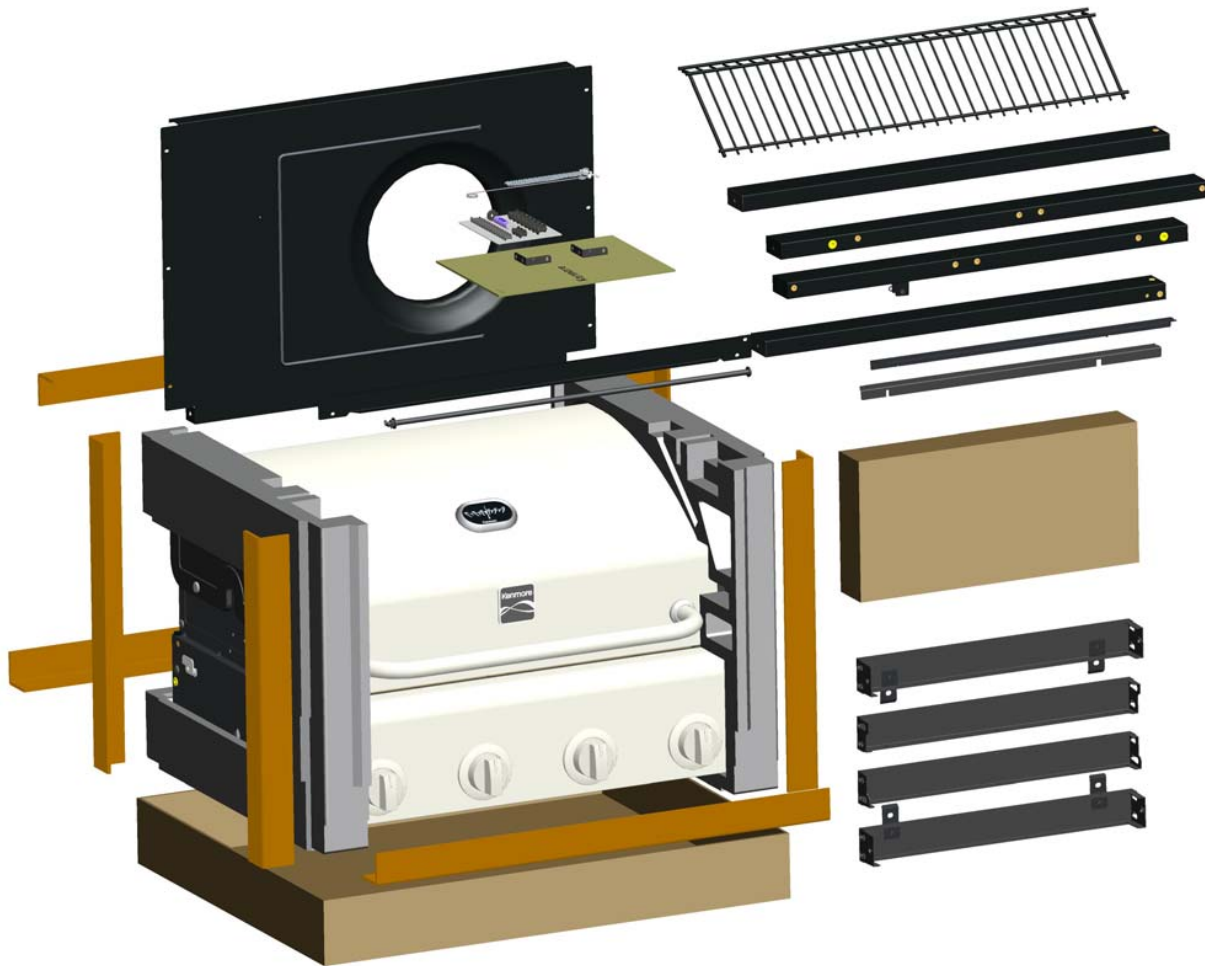
**NOTAS: Algunas partes de la parrilla que se muestran en los pasos de ensamblaje pueden diferir ligeramente en apariencia de las de su parrilla en particular. Sin embargo, el método de ensamblaje sigue siendo el mismo.**

# PARTS DIAGRAM

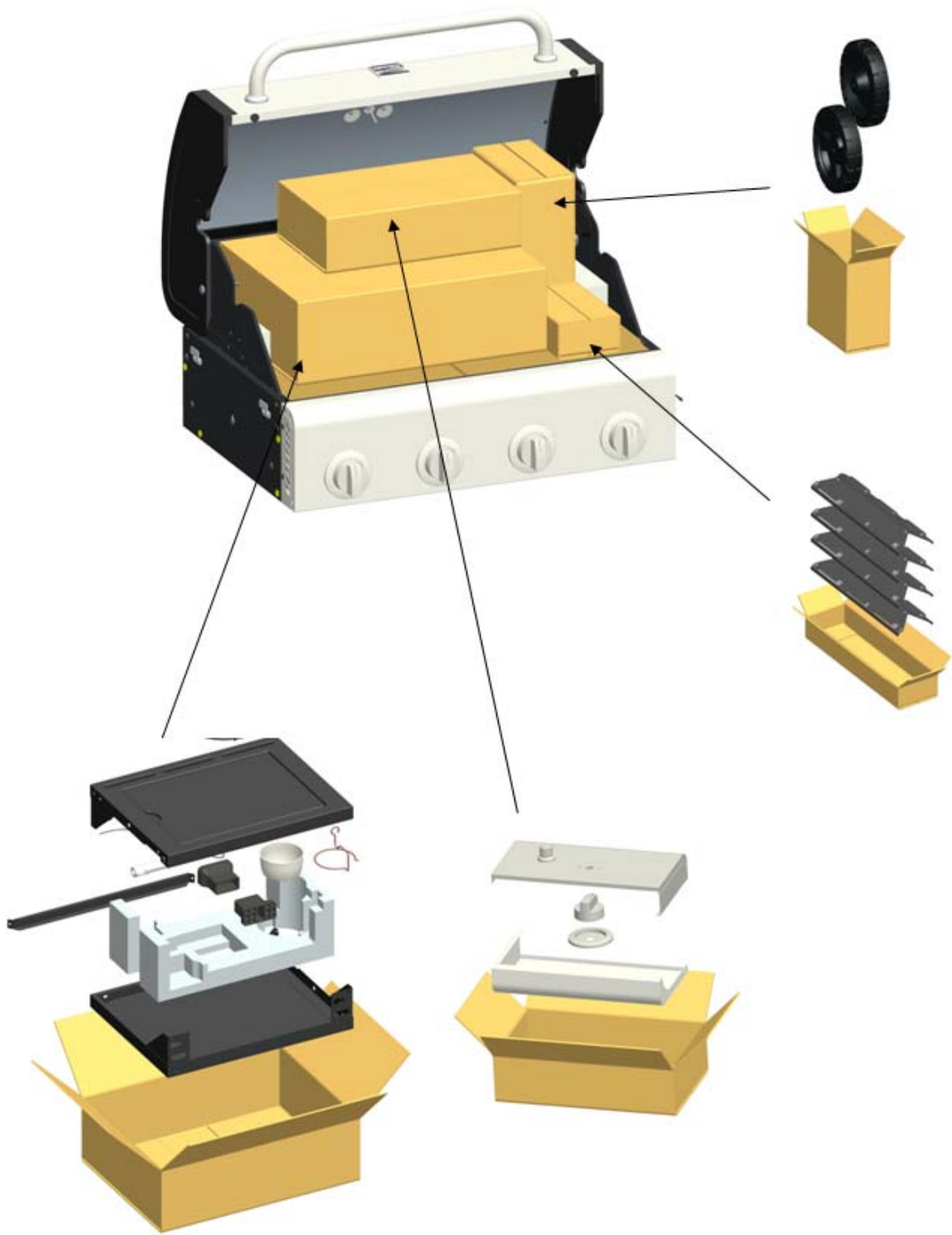


## BEFORE ASSEMBLY

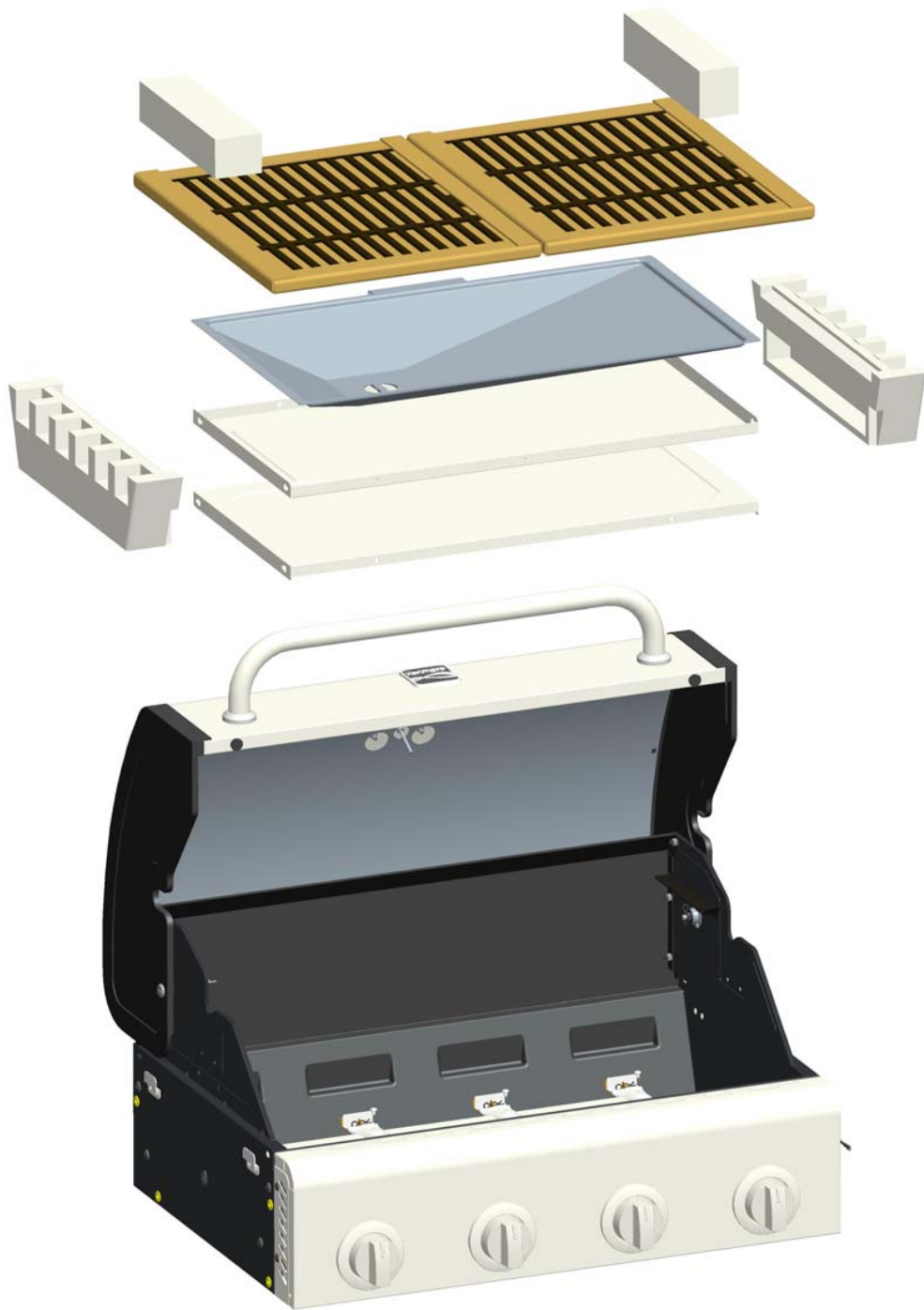
**AVISO:** Una vez que usted haya desempaquetado la parrilla según las instrucciones de la HOJA de la PARADA, compruebe todas las piezas de la parrilla contra los cuadros en esto y las dos páginas siguientes. Si usted parte es que falta o dañado, la llamada 1-888-287-0735. M - F 8:00 - 5:00 Pacífico



**BEFORE ASSEMBLY**



**BEFORE ASSEMBLY**

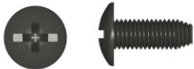



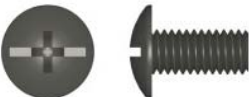



## ASSEMBLY

**LEA Y REALICE CUIDADOSAMENTE TODAS LAS INSTRUCCIONES DE ASAMBLEA EN LAS PÁGINAS SIGUIENTES.**

**Las herramientas requirieron:**

- El destornillador de la llave ajustable no proporcionada
- no proporcionado
- 7/16" la llave combinada (no proporcionada)
- el hardware siguiente se proporciona en el paquete de ampolla para el uso conveniente.

M4X10 tornillo Qty: 54 pcs 	AA Batería Qty: 1 pc 
M5X10 tornillo Qty: 4 pcs 	M5 arandela plana Qty: 4 pcs 
M6X13 tornillo Qty: 16 pcs 	M6 Arandela de compresión Qty: 4 pcs 

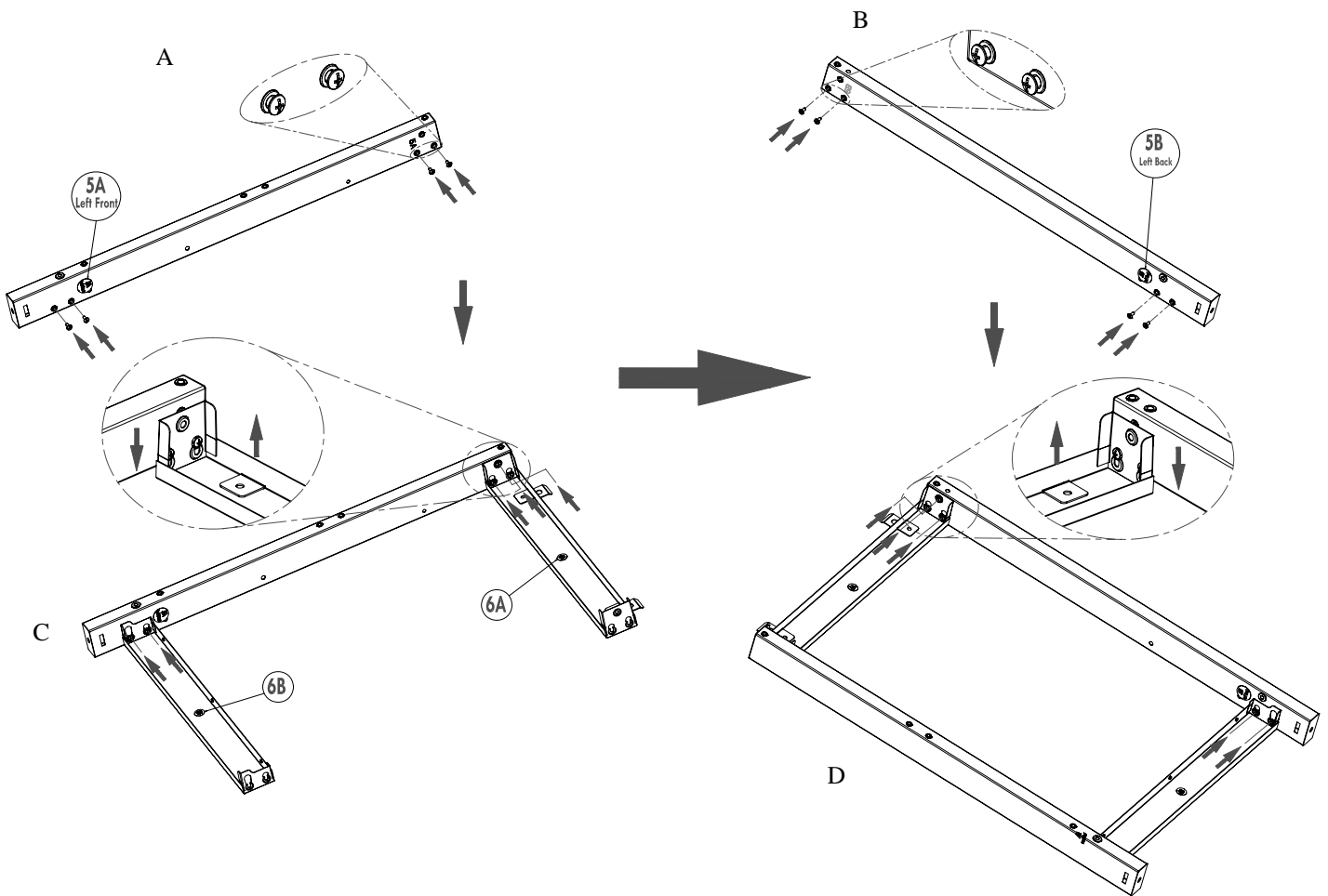
# 1

## Marco izquierdo

- Instale (4) M4 × 10 Tornillos como se muestra en la pata marcada "5A". No apriete completamente los tornillos en este momento. Deje un hueco de 1/8 pulgada debajo de la cabeza del tornillo para fijar el riel. (A)
- Conecte un extremo de un riel superior lateral "6A" a la pata, apriete los tornillos e instale y apriete otro (1) tornillo M4 × 10. (C)
- Conecte un extremo de un riel inferior lateral "6B" a la pata y apriete los tornillos. (C)
- Instale (4) M4 × 10 Tornillos como se muestra en la pata marcada "5B". No apriete completamente los tornillos en este momento. Deje un hueco de 1/8 pulgada debajo de la cabeza del tornillo para fijar el riel. (B)
- Fije el otro extremo del riel superior lateral y del riel inferior lateral a la pata "5B" y apriete los tornillos. Instale y apriete otro (1) tornillo M4X10 al riel superior lateral. (D)



M4x10 tornillos Qty: 10 pcs



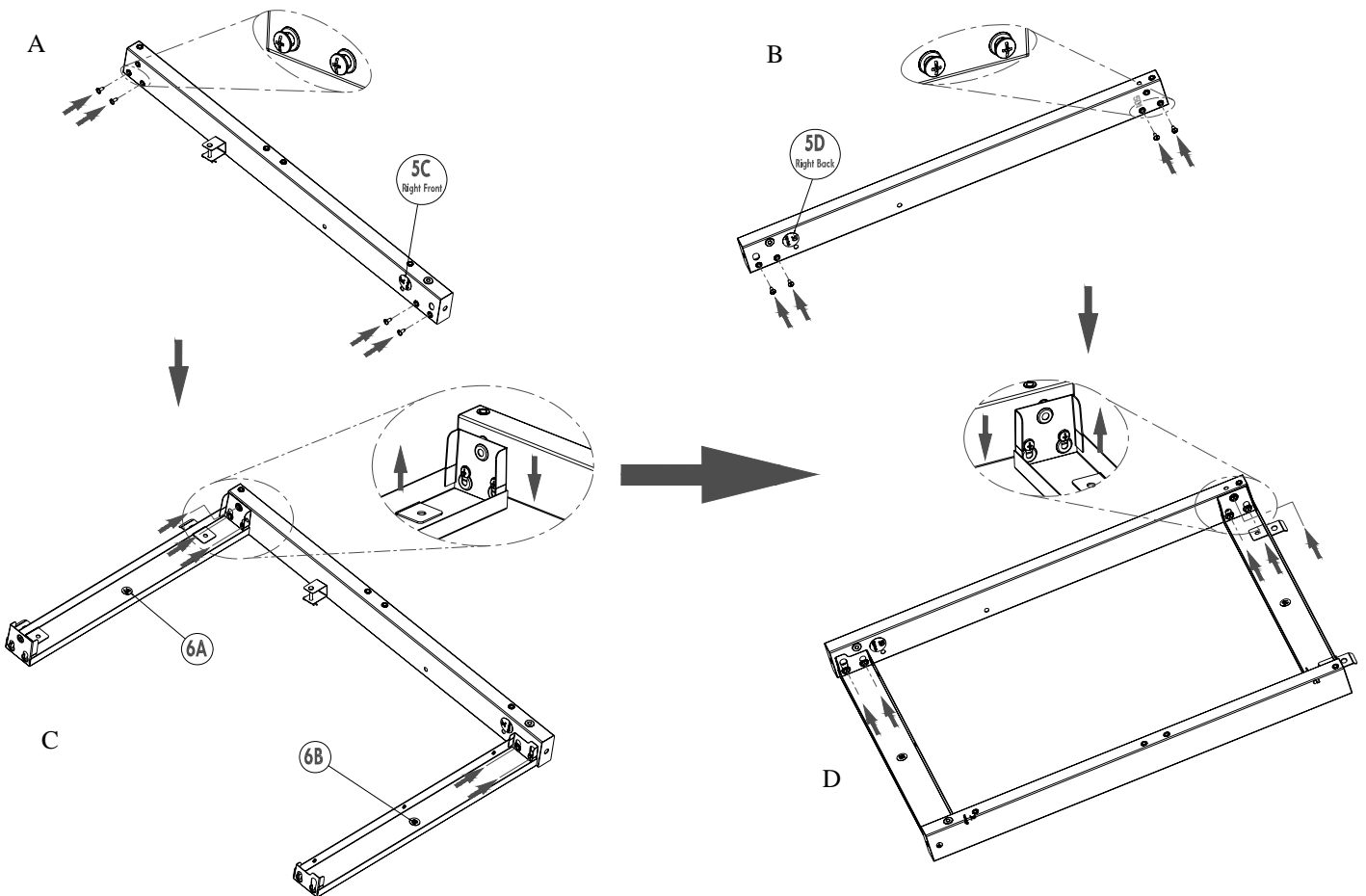
# 2

## Marco derecho

- Instale **(4) M4 × 10 Tornillos** como se muestra en la pata marcada "5C". No apriete completamente los tornillos en este momento. Deje un hueco de 1/8 pulgada debajo de la cabeza del tornillo para fijar el riel. (A)
- Conecte un extremo de un riel superior lateral "6A" a la pata, apriete los tornillos e instale y apriete otro **(1) tornillo M4 × 10**. (C)
- Conecte un extremo de un riel inferior lateral "6B" a la pata y apriete los tornillos. (C)
- Instale **(4) M4 × 10 Tornillos** como se muestra en la pata marcada "5D". No apriete completamente los tornillos en este momento. Deje un hueco de 1/8 pulgada debajo de la cabeza del tornillo para fijar el riel. (B)
- Fije el otro extremo del riel superior lateral y del riel inferior lateral a la pata "5D" y apriete los tornillos. Instale y apriete otro **(1) tornillo M4X10** al riel superior lateral. (D)



M4x10 tornillos Qty: 10 pcs



# 3

## Estante inferior

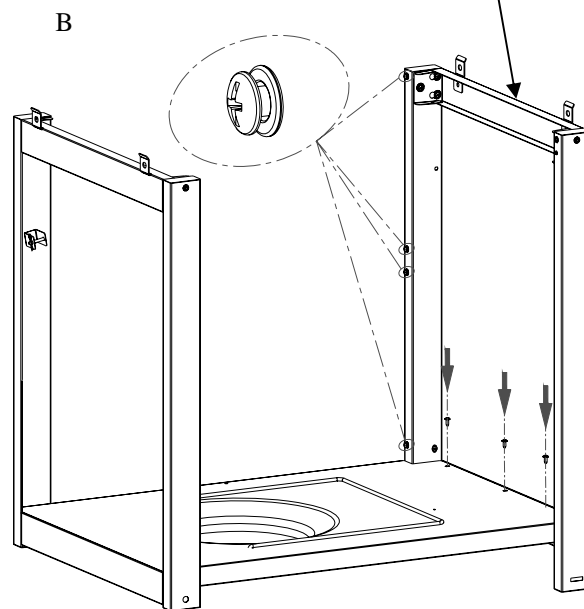
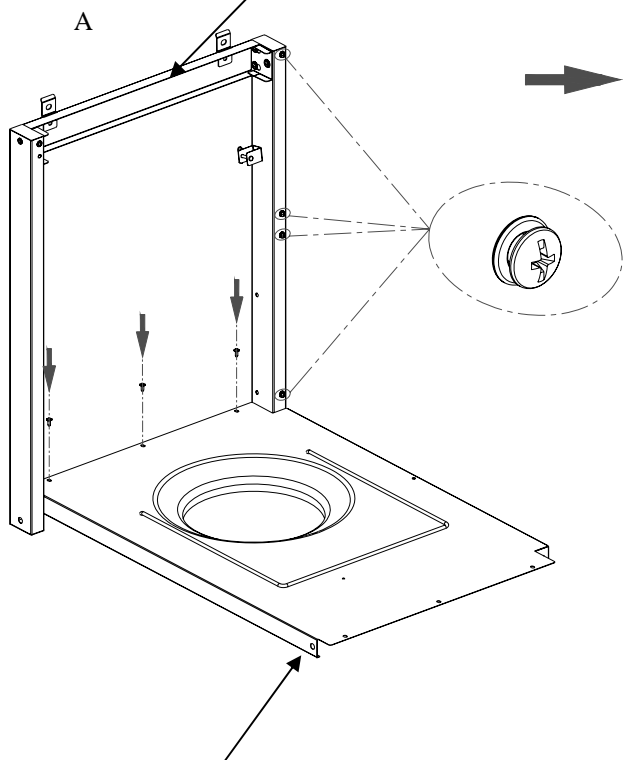
- Instale (4) tornillos M4 × 10 como se muestra en el marco derecho. No apriete completamente los tornillos en este momento. Deje un hueco de 1/8 pulgada debajo de la cabeza del tornillo para fijar el panel. (A)
- Instale (4) tornillos M4X10 como se muestra en el marco izquierdo. No apriete completamente los tornillos en este momento. Deje un hueco de 1/8 pulgada debajo de la cabeza del tornillo para fijar el panel. (B)
- Fije el estante inferior al marco derecho con (3) tornillos M4X10. No apriete completamente estos tornillos. (A)
- Fije el estante inferior al bastidor izquierdo con (3) tornillos M4X10. No apriete completamente estos tornillos.
- Fije el estante inferior al bastidor izquierdo con (3) tornillos M4X10. No apriete completamente estos tornillos. (B)



M4x10 tornillos Qty: 14 pcs

Marco derecho

Marco izquierdo



Estante inferior

# 4

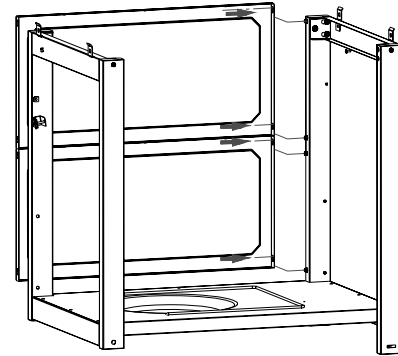
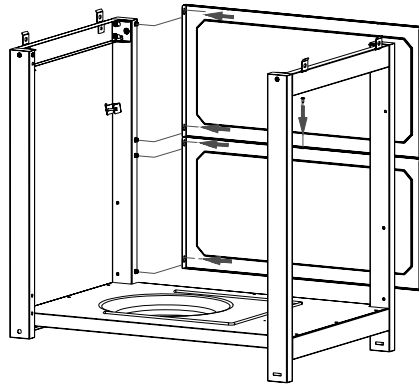
## Panel frontal

- Fije las dos secciones del panel frontal en un único panel frontal con **(1) tornillo M4X10** como se muestra.
- Fije el panel frontal al carro deslizando los cuatro orificios del panel de cada lado hacia arriba y hacia abajo sobre las cuatro cabezas de tornillo que sobresalen en los marcos izquierdo y derecho. Deje el tornillo superior suelto en cada lado y apriete completamente los otros tres tornillos de cada lado.
- Deslice uno de los extremos de la barra de apoyo de la bandeja de goteo derecha "7A" debajo del tornillo superior del marco derecho delantero. Apriete completamente el tornillo. Apriete completamente el otro extremo de la barra hacia la parte trasera del marco derecho con **(1) tornillo M4 × 10**. (C)
- Deslice un extremo de la barra de apoyo de la bandeja de goteo izquierda "7B" debajo del tornillo superior delantero izquierdo del marco. Apriete completamente el tornillo. Apriete completamente el otro extremo de la barra hacia la parte trasera del marco izquierdo con **(1) tornillos M4 × 10** como se muestra. Instale y apriete completamente **(1) el tornillo M4X10** a través del orificio medio del tornillo en la parte inferior del panel frontal en el estante inferior. (D)

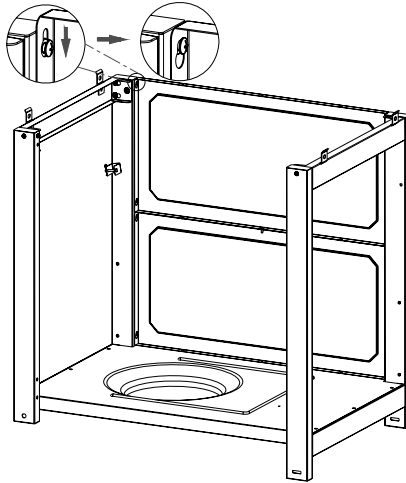


M4x10 tornillos Qty: 4 pcs

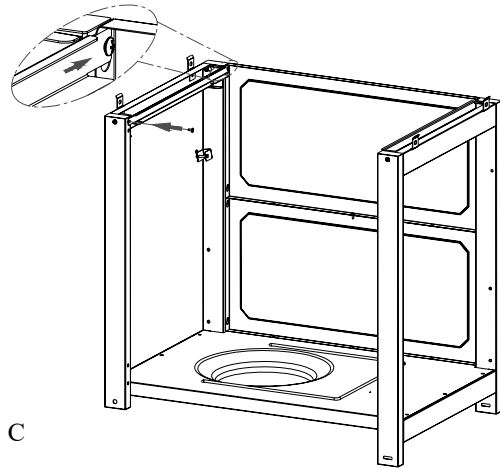
A



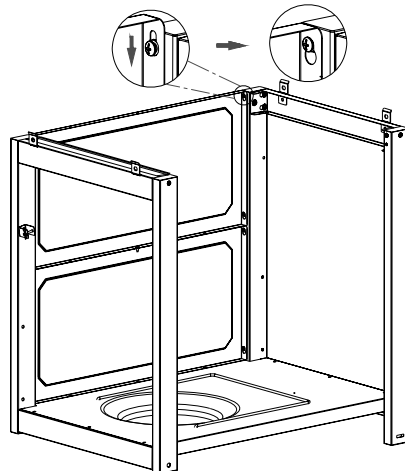
B



C



D



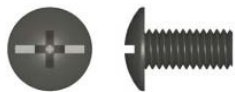
# 5

## Ruedas al carrito

- Coloque el carro boca abajo y coloque las patas en la plataforma inferior con **(4) tornillos M6X13** como se muestra. (A)
- Toque ambos Extensores de Pierna en las Piernas Izquierdas. (B)
- Retire el pasador de enganche, la tuerca y la arandela de la varilla del eje. Inserte la barra del eje a través de las ruedas y el marco de la pierna derecha. Vuelva a colocar la arandela, la tuerca y el pasador de enganche. (C)

**Nota:** El lado convexo de la rueda debe hacer frente al carro, y el lado cóncavo debe mirar hacia fuera.

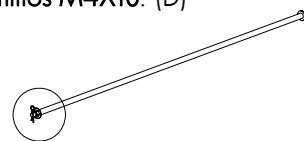
- Coloque el carro derecho hacia arriba y apriete completamente los **(6) tornillos del estante inferior M4X10**. (D) Fije el deflector del tanque como se muestra con **(2) tornillos M4X10**. (D)



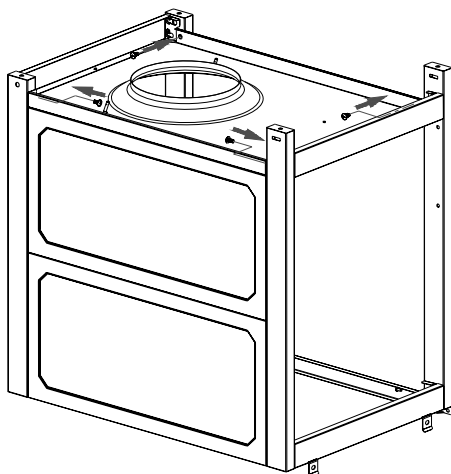
M6X13 tornillos Qty: 4 pcs



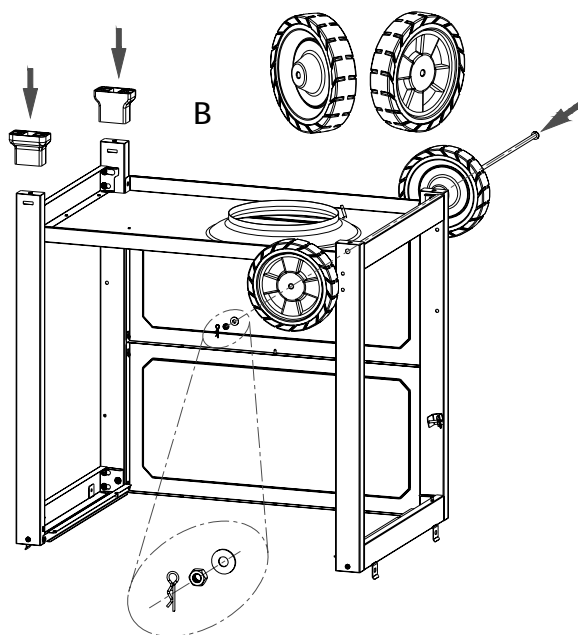
M4X10 tornillos Qty: 2 pcs



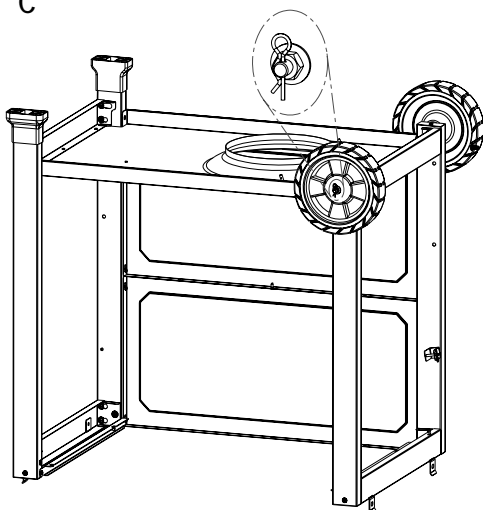
A



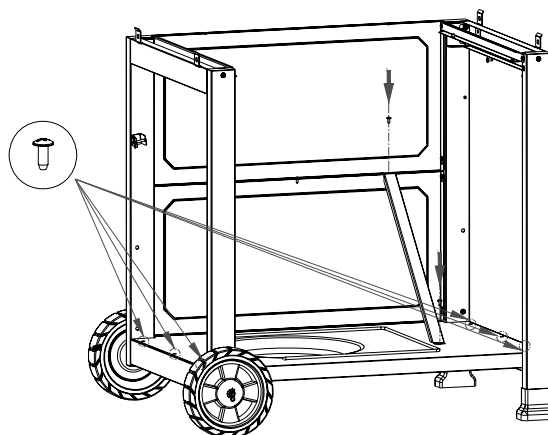
B



C



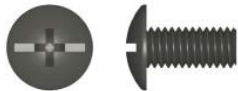
D



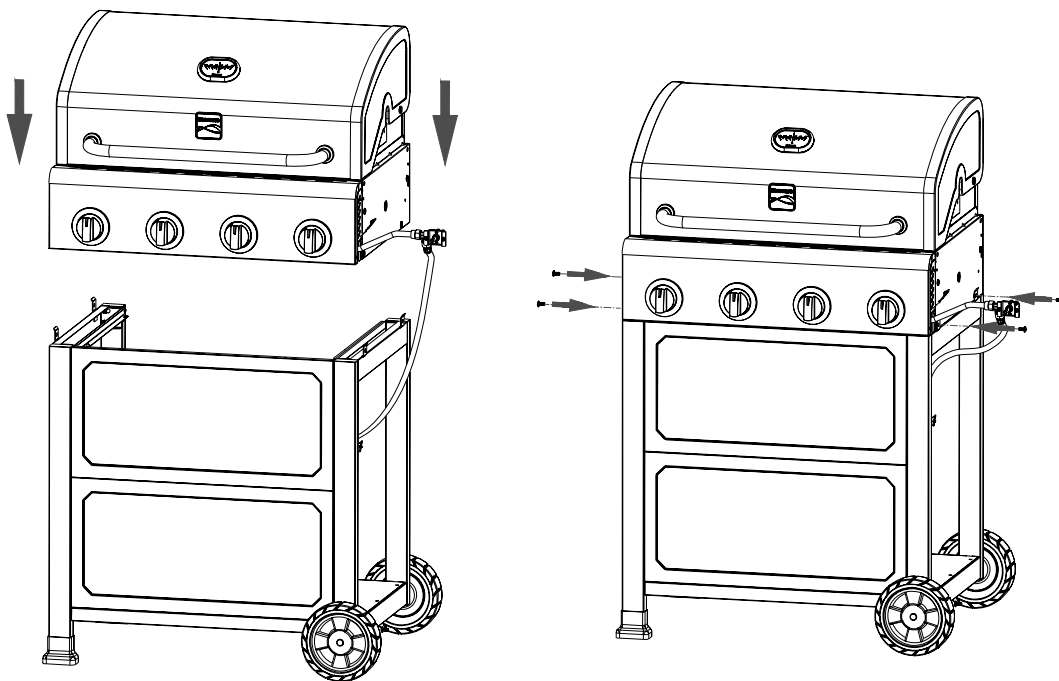
# 6

## Grill Head to Cart

- Este paso requiere dos personas para levantar y colocar la cabeza de la parrilla en el carro.
- Retire las abrazaderas y el material de embalaje de la manguera del regulador, la válvula del quemador lateral y el cable del encendedor. Tire de la manguera y el cable del encendedor hacia afuera al lado de la cabeza de la parrilla.
- Baje con cuidado la cabeza de la parrilla en el carro. Asegúrese de que la manguera del regulador y el cable del encendedor estén colgando fuera del carro.
- Alinee el panel de control para que quede alineado con los paneles frontales. Fije la cabeza al carro con **(4) tornillos M6X13**.



M6X13 tornillos Qty: 4 pcs



# 7

## Estantería lateral izquierda

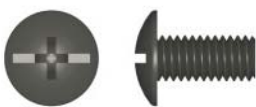
- Fijar el tablero al estante izquierdo con (2) tornillos M5x10 y arandelas planas M5. (A)
- Fije la barra de ángulo de soporte del estante lateral con (4) tornillos M4x10 (B)
- Alinee la Faja lateral y el Panel de control.
- Fije el estante a la cámara de combustión de la siguiente manera:
  - Del interior al exterior de la cámara de combustión con (2) tornillos M6x13 y arandelas de compresión M6. (C)
  - Del exterior al interior de la cámara de combustión con (2) tornillos M6x13. (D)
- Fijar el tablero del panel de control con (1) tornillo M4x10. (D)



M5X10 tornillos Qty: 2



M5 arandela plana Qty: 2 pcs



M6X13 tornillos Qty: 4 pcs

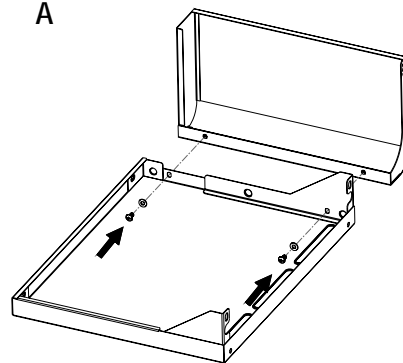


M6 Arandela de compresión Qty: 2 pcs

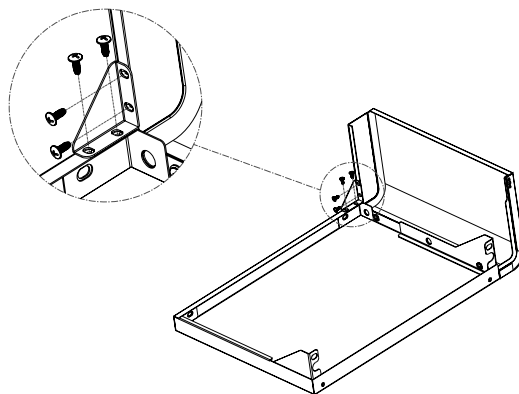


M4X10 tornillos Qty: 5

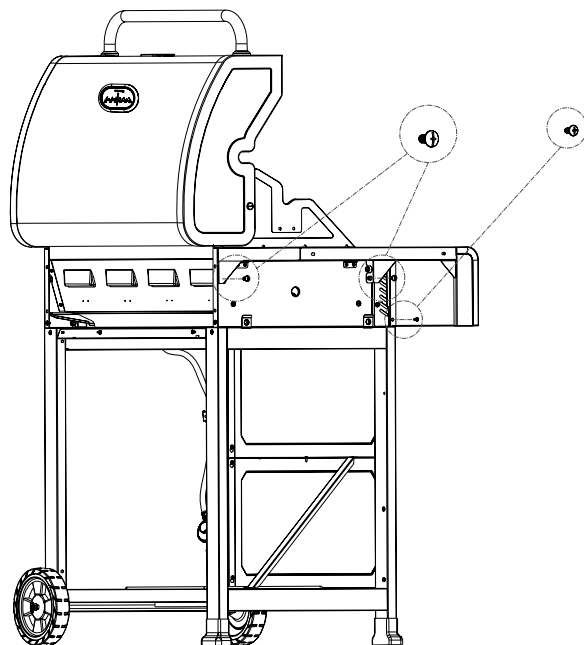
A



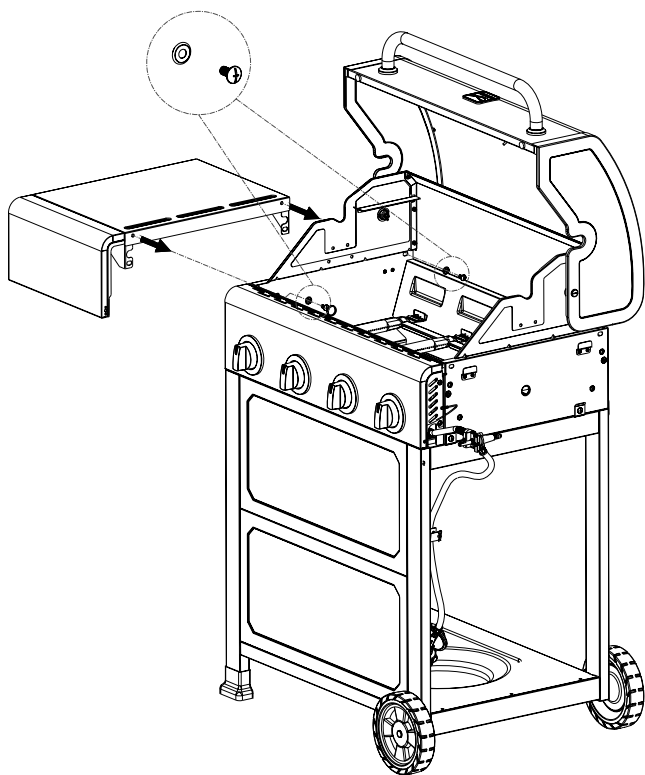
B



D



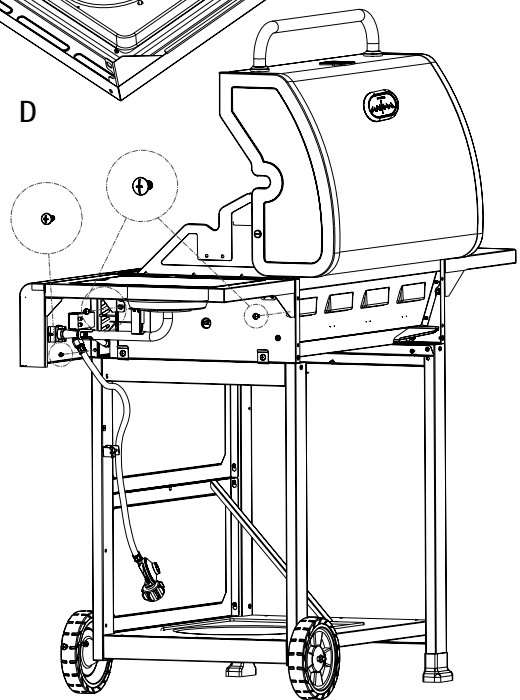
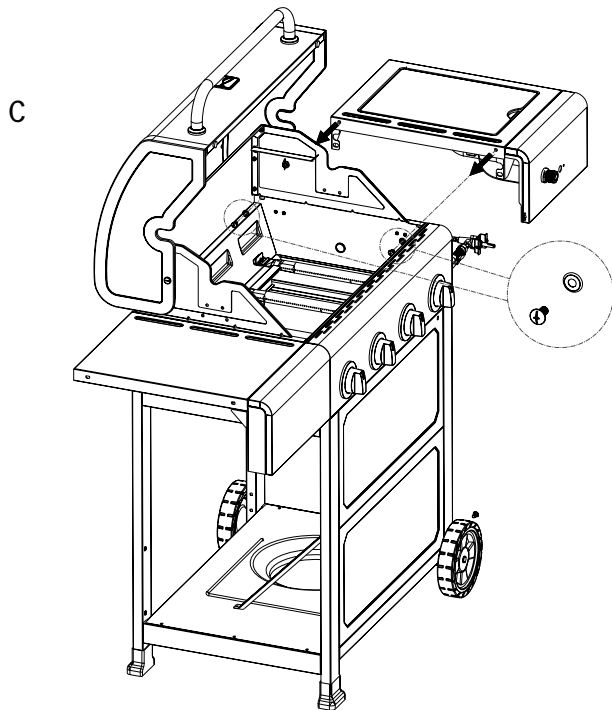
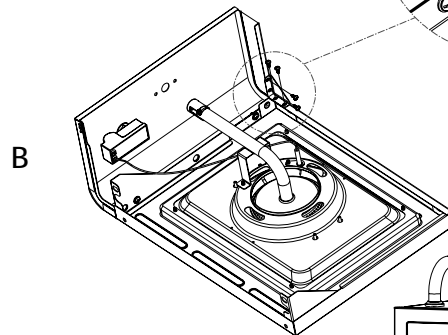
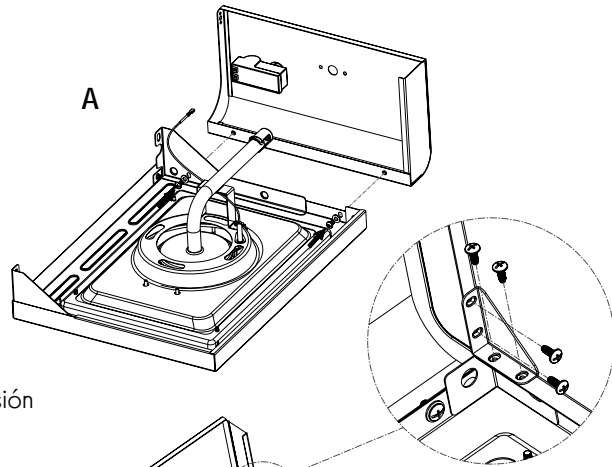
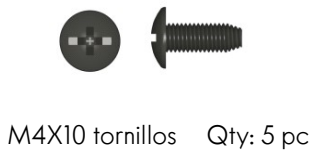
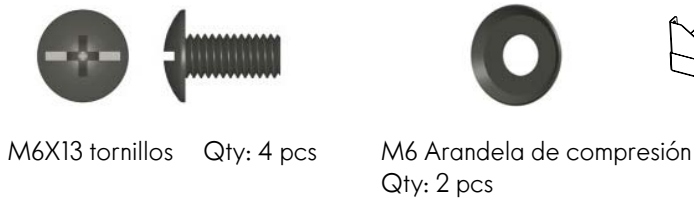
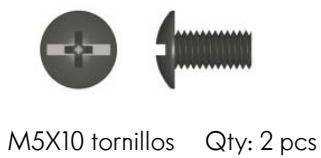
C



# 8

## Estantería lateral derecha

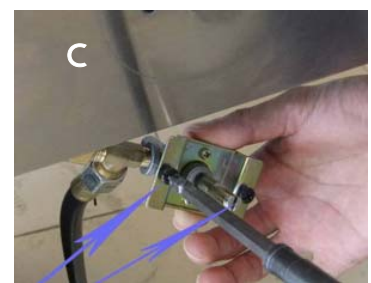
- Retire la rejilla del quemador lateral del quemador lateral antes de montar y colocar el estante lateral derecho,
- Fijar el tablero en el estante del lado derecho con **(2) tornillos M5x10** y arandelas planas M5. (A)
- Fije la barra de ángulo de soporte del estante lateral con **(4) tornillos M4x10** (B)
- Colgar el estante del lado derecho en los soportes del lado derecho de la cámara de combustión.
- Fije el estante a la cámara de combustión de la siguiente manera:
  - Del interior al exterior de la caja de combustión con **(2) tornillos M6x13** y arandelas de compresión M6. (C)
  - Del exterior al interior de la cámara de combustión con **(2) tornillos M6x13**. (RE)
- Fijar el tablero del panel de control con **(1) tornillo M4x10**. (D)



# 9

## Quemador lateral

- Afloje el quemador lateral en el estante lateral. (B). Para aflojar, desenrosque y quite los dos tornillos delanteros y las arandelas que sostienen el quemador lateral en su lugar. (UN). Nota: No afloje el tornillo del electrodo.
- Quite los 2 tornillos preinstalados del vástago de la válvula y déjelos a un lado. (DO)
- Inserte el vástago de la válvula en el orificio de la faja. (RE). Instale los 2 tornillos previamente retirados. Nota: Deje un hueco de 1/8 de pulgada debajo de las cabezas de los tornillos para fijar el bisel. (MI).
- Fije el bisel a la tapa de la fascia y la válvula con los tornillos instalados. Asegúrese de que la marca negra esté hacia arriba. (F). Apriete los 2 tornillos (G)
- Coloque el tubo del quemador lateral sobre la válvula, asegurándose de que la válvula esté dentro del tubo del quemador lateral. (MARIDO)
- Empuje la perilla de control en el vástago de la válvula del quemador lateral. (YO)
- Vuelva a conectar el quemador lateral al estante del quemador lateral con los 2 tornillos previamente retirados. Reemplace la rejilla del quemador lateral. (J)
- Conecte los dos cables del encendedor al módulo del encendedor en el interior de la fascia derecha. Para conectar, empuje las puntas de los cables del encendedor en los pasadores del módulo del encendedor (K).
- Desenrosque la tapa del encendedor del panel de control. Inserte (l) una pila AA (suministrada en el blister) en la ranura de la batería con el extremo positivo (+) mirando hacia fuera. Enrosque la tapa del encendedor en el panel. (L) dulo del encendedor (K).
- Desenrosque la tapa del encendedor del panel de control. Inserte (l) una pila AA (suministrada en el blister) en la ranura de la batería con el extremo positivo (+) mirando hacia fuera. Enrosque la tapa del encendedor en el panel. (L)

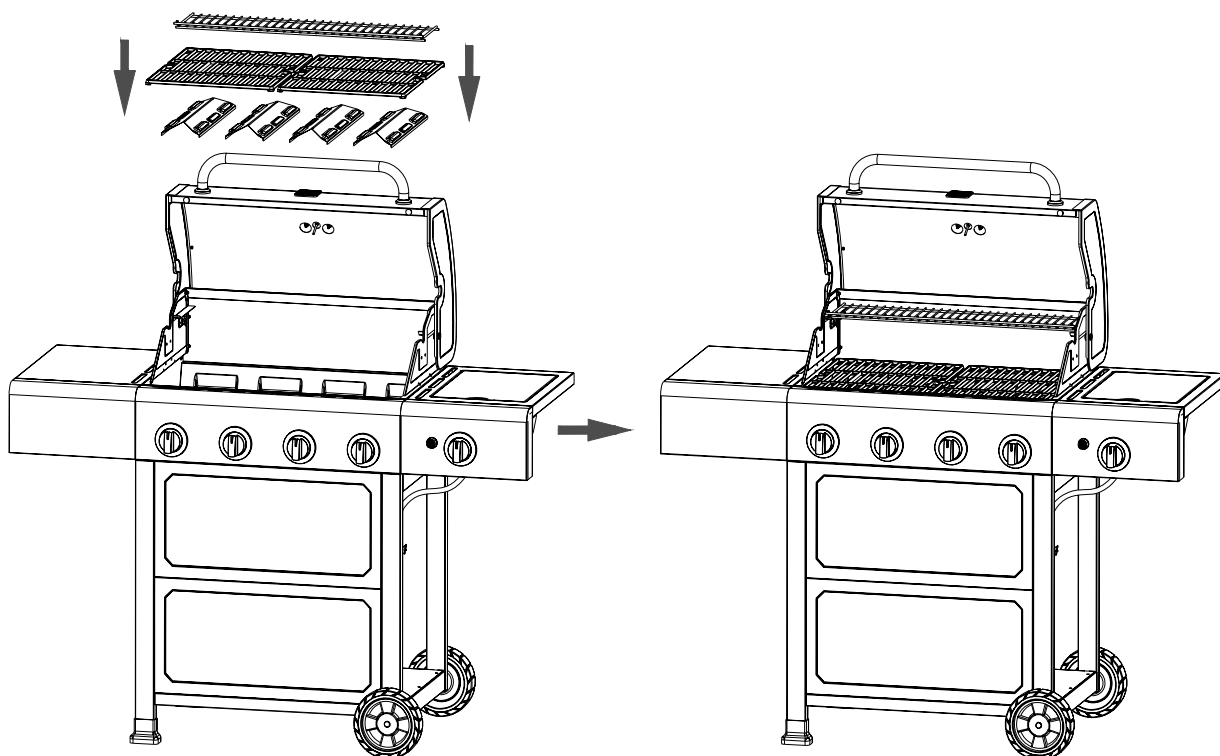


**10**

## Difusores de calor, rejillas de cocción y estante de calentamiento

□ Coloque los difusores de calor sobre los quemadores. Los difusores encajarán en la cámara de combustión en cualquier dirección.

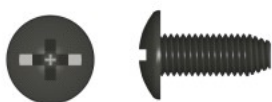
Coloque las rejillas de cocción sobre las rejillas de la parrilla delantera y trasera de la caja de combustión.



# 11

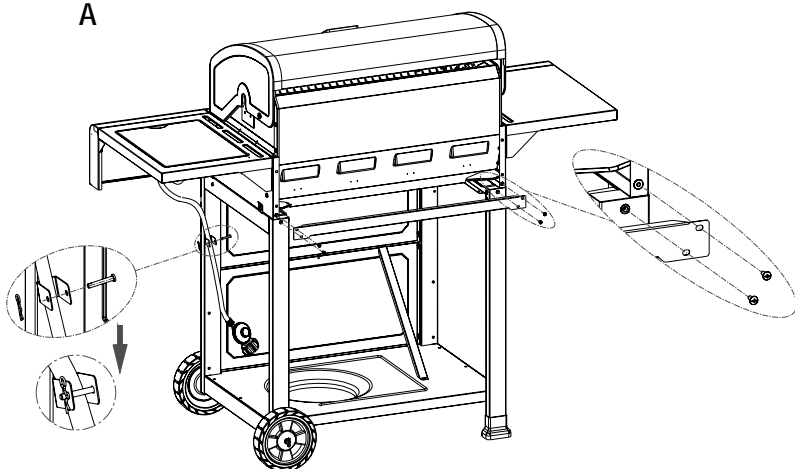
## Bandeja de goteo, Copa de goteo y tanque de LP

- Fije el riel trasero al carro y la cabeza de la parrilla con **(4) tornillos M4 X 10** como se muestra (A)
- Retire la chaveta y el pasador de retención del soporte de la manguera en la pata derecha del carro. Inserte la manguera en el soporte y reemplace la chaveta y el pasador.
- Colgar el clip de la copa de goteo desde la parte inferior de la bandeja de goteo e insertar la bandeja de goteo en la parte inferior de la caja de fuego de la parte posterior del carro. Coloque la taza de goteo en el clip de la taza de goteo. Inserte la cadena del sujetador de coincidencia en el orificio en la pata delantera izquierda. (B)
- Coloque el tanque de LP en el orificio en el estante inferior con la abertura del collar del tanque mirando hacia el lado como se muestra (C)

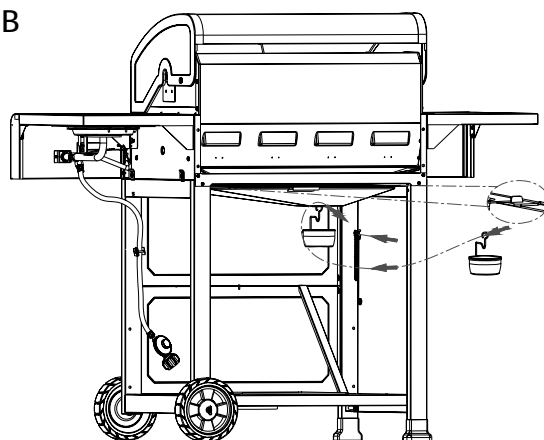


M4X10 tornillos Qty: 4

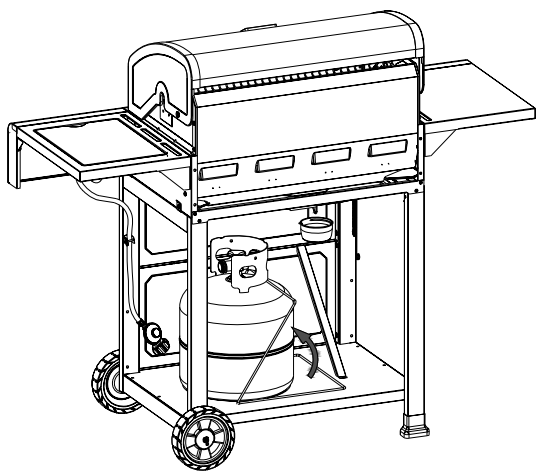
A



B



C



**EMERGENCIAS: Si no se puede detener una fuga de gas, o si ocurre un incendio debido a una fuga de gas, llame a los bomberos.**

Problema	Causas probables	Medidas de prevención / solución
<p>Fuga de gas de mangueras quebradas, cortadas o quemadas.</p> <p>Fuga de gas del cilindro.</p> <p>Fuga de gas de la válvula del cilindro de gas.</p> <p>Fuga de gas entre cilindro de gas y la conexión del regulador.</p> <p>Sale fuego a través del panel de control.</p> <p>Hay continuamente fuego de la grasa o demasiadas llamas sobre la superficie de cocinar.</p>	<ul style="list-style-type: none"> <li>• Manguera dañada.</li> <li>• Falla mecánica debido a la oxidación o al mal uso.</li> <li>• Falla de la válvula del cilindro debida a mal uso o a falla mecánica.</li> <li>• Instalación inadecuada, la conexión no está bien apretada, falla de la junta de caucho.</li> <li>• Fuego en la sección del tubo del quemador debido a un bloqueo.</li> <li>• Demasiada grasa acumulada en la zona del quemador.</li> </ul>	<ul style="list-style-type: none"> <li>• Cierre el gas en el cilindro o en la fuente de los sistemas de gas natural. Si tiene todo tipo de desperfectos, pero no está quemada, cambie la válvula/la manguera/ el regulador. Si está quemada, deje de usar el producto hasta que un plomero haya investigado la causa y haya hecho las correcciones.</li> <li>• Cambie el cilindro de gas.</li> <li>• Cierre la válvula del cilindro de gas. Devuelva el cilindro al proveedor de gas.</li> <li>• Cierre la válvula del cilindro de gas. Retire el regulador del cilindro y examine visualmente la junta de caucho para detectar cualquier daño. Lea las secciones tituladas Prueba para detectar fugas en un cilindro de gas y Como conectar el regulador al cilindro de gas.</li> <li>• Cierre las perillas de control y la válvula del cilindro de gas. Deje abierta la tapa para permitir que las llamas se extingan. Una vez que se haya extinguido el fuego y la parrilla esté fría, retire el quemador y examínelo para ver si tiene nidos de arañas o herrumbre. Lea las páginas relativas a Los peligros naturales y la limpieza de la unidad del quemador.</li> <li>• Cierre las perillas de control y la válvula del cilindro de gas. Deje abierta la tapa para permitir que las llamas se extingan. Una vez que se haya enfriado, limpie las partículas de comida y la acumulación de grasa en la parte interior de la zona de la cámara de combustión, de la lata para la grasa y de toda otra superficie.</li> </ul>

**Resolución de problemas**

Problema	Causas probables	Medidas de prevención / solución
<p>El quemador o los quemadores no se enciende(n) al usar el encendedor.</p> <p><i>Continúa en la página siguiente.</i></p>	<p><b>PROBLEMAS DE GAS:</b></p> <ul style="list-style-type: none"> <li>• Está tratando de encender el quemador equivocado.</li> <li>• El quemador no está conectado a la válvula de control.</li> <li>• Obstrucción en el quemador.</li> <li>• No hay flujo de gas.</li> <li>• Hay vapor atrapado en la tuerca de unión al tanque de gas.</li> <li>• La tuerca de unión y la válvula del tanque de gas no están bien conectadas.</li> </ul> <p><b>PROBLEMAS DE ELECTRICIDAD:</b></p> <ul style="list-style-type: none"> <li>• Electrodo quebrado o roto; salen "chispas de la quebradura".</li> <li>• La punta del electrodo no está en posición correcta.</li> </ul>	<ul style="list-style-type: none"> <li>• Lea las instrucciones en el panel de control y en la sección titulada <i>Uso y cuidado.</i></li> <li>• Verifique que las válvulas estén ubicadas dentro de los tubos de los quemadores.</li> <li>• Verifique que el tubo de los quemadores no esté obstruido con telarañas u otras materias. Lea la sección de limpieza de <i>Uso y cuidado.</i></li> <li>• Verifique que el tanque no esté vacío. Si el tanque de gas no está vacío, lea la sección referente a la <i>Caída repentina del flujo de gas.</i></li> <li>• Cierre las perillas y desconecte la tuerca de unión del tanque. Vuelva a conectarla y trate de nuevo.</li> <li>• Gire la tuerca de unión entre media vuelta y tres cuartos de vuelta adicionales, hasta que no la pueda girar más. Apriétela a mano únicamente, no use herramientas.</li> <li>• Cambie el (los) electrodo(s).</li> </ul> <p>Quemadores principales:</p> <ul style="list-style-type: none"> <li>• La punta del electrodo debe estar orientada hacia el agujero de combustión del quemador. La distancia debe ser de 1/8" a 1/4". Ajústela si es necesario.</li> </ul> <p>Quemador lateral (si lo tiene)</p> <ul style="list-style-type: none"> <li>• La punta del electrodo debe estar orientada hacia el agujero de combustión del quemador. La distancia debe ser de 1/8" a 3/16". Ajústela si es necesario.</li> </ul>

## Resolución de problemas (continuación)

Problema	Causas probables	Medidas de prevención / solución
El quemador o los quemadores no se enciende(n) al usar el encendedor.	<ul style="list-style-type: none"> <li>• El cable o el electrodo está cubierto con restos de comida.</li> <li>• Los cables están flojos o desconectados.</li> <li>• Los cables producen cortocircuitos (chispas) entre el encendedor y el electrodo.</li> </ul> <p><b>BOTÓN PULSADOR PIEZOELÉCTRICO Y GIRATORIO:</b></p> <ul style="list-style-type: none"> <li>• El botón pulsador se pega en el fondo.</li> <li>• La perilla giratoria gira sin hacer clic.</li> <li>• Hay chispas entre el encendedor y el electrodo.</li> </ul>	<ul style="list-style-type: none"> <li>• Limpie el cable y el electrodo con alcohol de frotar y un hisopo limpio.</li> <li>• Vuelva a conectar los cables o cambie la unidad de electrodo/cable.</li> <li>• Cambie la unidad del cable del encendedor / el electrodo.</li> <li>• Cambie el encendedor.</li> <li>• Cambie la perilla.</li> <li>• Examine el aislamiento de los cables y verifique que las conexiones estén bien hechas. Cambie los cables si tienen roto el aislamiento.</li> </ul>
El quemador o los quemadores no se encienden al usar fósforos.	<ul style="list-style-type: none"> <li>• Lea "<b>PROBLEMAS DE GAS:</b>" en la página anterior.</li> <li>• El fósforo no llega al punto de encendido.</li> <li>• Método inadecuado de encender con fósforos.</li> </ul>	<ul style="list-style-type: none"> <li>• Use un fósforo de palito largo (fósforo para encender chimeneas).</li> <li>• Lea la sección de limpieza de <i>Uso y cuidado</i>.</li> </ul>
Llama baja, gota en flujo del gas.	<ul style="list-style-type: none"> <li>• Se acabó el gas.</li> <li>• Se activó la válvula por sobrecarga de gas.</li> <li>• Hay vapor atrapado en la conexión de la tuerca de unión y el tanque de gas.</li> </ul>	<ul style="list-style-type: none"> <li>• Verifique que el tanque de gas esté cargado.</li> <li>• Dé vuelta apagado al control y las perillas del tanque, esperen 30 segundos, perilla del tanque de la vuelta encendido lentamente, parrilla ligera. Si las llamas siguen siendo bajas, dé vuelta apagado a las perillas del control y del tanque y desconecte el regulador. Vuelva a conectar el regulador, perilla del tanque de la vuelta encendido lentamente, parrilla ligera.</li> <li>• Dé vuelta apagado al control y a las perillas del tanque y desconecte el regulador. Vuelva a conectar el regulador, gire la perilla del tanque lentamente, parrilla ligera.</li> </ul>
Llamas que se apagan.	<ul style="list-style-type: none"> <li>• Vientos fuertes.</li> <li>• Bajo flujo de gas propano.</li> <li>• Se activó la válvula por sobrecarga de gas.</li> </ul>	<ul style="list-style-type: none"> <li>• Gire el frente de la parrilla de modo que quede de cara al viento, o aumente la graduación de las llamas.</li> <li>• Recargue el tanque de gas.</li> <li>• Lea lo referente a la <i>Caída repentina del flujo de gas</i> en la sección anterior.</li> </ul>
Fogonazos.	<ul style="list-style-type: none"> <li>• Acumulación de grasa.</li> <li>• Carne sumamente grasosa.</li> <li>• Temperatura de cocción muy elevada.</li> </ul>	<ul style="list-style-type: none"> <li>• Limpie los quemadores y el interior de la parrilla / cámara de combustión.</li> <li>• Desgrase la carne antes de cocinarla a la parrilla.</li> <li>• Ajuste (baje) la temperatura según corresponda.</li> </ul>
producidos por la grasa.	<ul style="list-style-type: none"> <li>• Grasa atrapada por acumulación de restos de comida alrededor del sistema del quemador.</li> </ul>	<ul style="list-style-type: none"> <li>• Cierre las perillas. Cierre el paso de gas desde el tanque. Deje la tapa en su sitio y deje que se apague el fuego. Después de que se enfríe la parrilla, retire y limpie todas las piezas.</li> </ul>
Retorno de las llamas (fuego en el (los) tubo(s) del quemador).	<ul style="list-style-type: none"> <li>• El quemador o los tubos del quemador están obstruidos.</li> </ul>	<ul style="list-style-type: none"> <li>• Cierre las perillas. Limpie el quemador o los tubos del quemador. Lea la sección de limpieza del quemador de <i>Uso y cuidado</i>.</li> </ul>
No se puede recargar el tanque de gas propano.	<ul style="list-style-type: none"> <li>• Algunos vendedores de gas tienen boquillas de llenado viejas, con las roscas gastadas.</li> </ul>	<ul style="list-style-type: none"> <li>• Las boquillas desgastadas no tienen suficiente "agarre" para conectarse a la válvula. Comuníquese con otro vendedor de gas.</li> </ul>
Un quemador no se enciende desde el quemador otra (s).	<ul style="list-style-type: none"> <li>• La acumulación de grasa o partículas de alimentos en el extremo (s) de tubo de prórroga (s). Fuegos persistentes,</li> </ul>	<ul style="list-style-type: none"> <li>• Gire las perillas en OFF. Apague el gas en el cilindro LP. Deje la tapa en su posición y dejar que el fuego se quemé. Después de la parrilla se enfríe, quite y limpie todas las partes.</li> </ul>

## Resolución de problemas – Encendido electrónico

Problema (encendido)	Causas probables	Procedimiento de revisión	Medidas de prevención / solución
<b>SECCIÓN I</b> No aparecen chispas en ningún electrodo cuando se pulsa el botón de encendido; no se oye ningún sonido del módulo de chispas.	<ul style="list-style-type: none"> <li>• La pila no está instalada adecuadamente.</li> <li>• Pila gastada.</li> <li>• La unidad del botón no está instalada adecuadamente.</li> <li>• Módulo de chispas defectuoso.</li> </ul>	<ul style="list-style-type: none"> <li>• Revise la orientación de la pila.</li> <li>• ¿Es una pila usada?</li> <li>• Revise que las piezas estén debidamente enroscadas. El botón debe desplazarse hacia arriba y hacia abajo sin trabas.</li> <li>• Si no se generan chispas con la pila nueva y las conexiones del cable están bien hechas, el módulo está defectuoso.</li> </ul>	<ul style="list-style-type: none"> <li>• Instale la pila (verifique que los polos “+” y “-” estén orientados correctamente, con el extremo “+” hacia arriba y el extremo “-” hacia abajo).</li> <li>• Cámbiela por una pila alcalina nueva, de tamaño AA.</li> <li>• Desenrosque la tapa del botón y vuelva a instalarla; verifique que las roscas estén bien alineadas y bien enroscadas.</li> <li>• Cambie la unidad del módulo de chispas.</li> </ul>
<b>SECCIÓN II</b> No aparece ninguna chispa en lo electrodos cuando se pulsa el interruptor de encendido; no se oye ningún sonido	<ul style="list-style-type: none"> <li>• Las conexiones del cable de salida no están bien hechas.</li> </ul>	<ul style="list-style-type: none"> <li>• ¿Están conectadas y bien hechas las conexiones de salida?</li> </ul>	<ul style="list-style-type: none"> <li>• Retire y vuelva a hacer todas las conexiones de salida en el módulo y en los electrodos</li> </ul>
<b>SECCIÓN III</b> Hay chispas pero no en todos los electrodos y/o no a plena potencia	<ul style="list-style-type: none"> <li>• Las conexiones del cable de salida no están bien hechas.</li> <li>• El arco de la parrilla se forma lejos del (de los) quemador (es).</li> <li>• Pila débil.</li> <li>• Los electrodos están húmedos.</li> <li>• Los electrodos están agrietados o rotos, con "chispas en las grietas".</li> </ul>	<ul style="list-style-type: none"> <li>• ¿Están conectadas y bien hechas las conexiones de salida?</li> <li>• Si es posible, observe la parrilla en un lugar oscuro. Haga funcionar el sistema de encendido y trate de detectar la formación del arco entre los cables de salida y el marco de la parrilla.</li> <li>• Se forman todas las chispas, pero son débiles o lentas.</li> <li>• ¿Se ha acumulado humedad en el electrodo y/o en los orificios de combustión?</li> <li>• Examine los electrodos para detectar grietas.</li> </ul>	<ul style="list-style-type: none"> <li>• Retire y vuelva a hacer todas las conexiones de salida en el módulo y en los electrodos.</li> <li>• Si se observan chispas que no sean del (de los) quemador (es), es posible que esté dañado el aislamiento de los cables. Cambie los cables.</li> <li>• Cambie la pila por una pila alcalina nueva, de tamaño AA.</li> <li>• Use una toalla de papel para secar la humedad.</li> <li>• Cambie los electrodos agrietados o rotos.</li> </ul>
<b>SECCION IV</b> La parrilla no se está poniendo caliente solo alcanza 250 - 300 grados	<ul style="list-style-type: none"> <li>• Esto generalmente ocurre cuando enciende las perillas de control antes de encender la válvula del tanque de LP. De ser así, esto activará el dispositivo de seguridad del regulador de gas, la parrilla solo alcanzará temperaturas entre 250 y 300F incluso con todos los quemadores en la posición alta.</li> </ul>	<ul style="list-style-type: none"> <li>• ¿El regulador está encendido y correcto?</li> <li>• Asegúrese de que el regulador esté conectado correctamente al tanque y que las perillas de control estén todas en la posición de apagado.</li> </ul>	<ul style="list-style-type: none"> <li>• Abra la tapa de la parrilla.</li> <li>• Apague todas las perillas en el panel de control en frente.</li> <li>• Apague la perilla del tanque.</li> <li>• Desconecte el regulador del tanque de LP. Espera 30 segundos</li> <li>• Vuelva a conectar el regulador al tanque de LP.</li> <li>• Abra lentamente la perilla del tanque de LP completamente abierta. No ejerza una fuerza excesiva sobre la válvula en la posición completamente abierta para evitar dañar la válvula.</li> <li>• Gire una perilla de control adecuada y encienda la parrilla según las instrucciones de encendido.</li> </ul>





