

This Owner's Manual is provided and hosted by [Appliance Factory Parts](#).



Broil-Mate 7653-84 Owner's Manual

[Shop genuine replacement parts for Broil-Mate 7653-84](#)



[Find Your Broil-Mate Grill Parts - Select From 682 Models](#)

----- Manual continues below part list -----

Available Replacement Parts for Broil-Mate 7653-84

18013	LARGE PROBE HEAT INDICATOR
S21124	SCREW PHCP #8 X 12 +
10390-E10	BURNER SIDE 10BTU W/ELEC #8 +
Y-12220	S/B BUSHING SB 1.375 16 HEY
S15236	ROTISSERIE MOTOR AC 120V
S15263	ROTISSERIE BUSHING
S15299	WASHER COUNTERWEIGHT ROTIS
S15270	ROTISSERIE COUNTERWEIGHT ASSY
S15271	ROTISSERIE HANDLE +
Y-12222	MAGNET - DOOR
10240-20	DOOR PIN TOP
27055-901	GREASE TRAY PORC FORMED 440 +
18431	OEM FLAV R WAVE - BARON
52007-181	COOKING GRID 550 PORC BLK +
S15256	SPIT ROD ROTISSERIE 31 INCH
20005-000	HARDWARE BAG STICK & CHAIN SS
10693-165	ORIFICE SPUD 1.63MM 5/16-32
10693-113	ORIFICE SPUD 1.13MM 5/16 32
10342-T21	ELECTRODE WIRE S/B 35 INCH
57039-901	ROTISSERIE BRACKET BLK
53009-951	SIDE BURNER TRIVET BLK
S15508	REAR BURNER ELECTRODE WIRE +
50502	HEAVY DUTY MEAT FORKS
52924-144R	BURNER - MAIN
10111-K45	HOSE 3/8 INCH ASSEMBLY NG 10 FOOT +
10081-69BM	NAMEPLATE BROILMATE
Y-11990	NUT HEX BRASS 3/8 27 RB LINE
10342-E12	ELECTRODE W/WIRE +
24009-936	HANDLE RING
10342-247	IGNITOR ELECTRONIC +

10472-K431	CONTRL KNOB RESIN LRG BLCK W/SS BA STRIP
21071-13	DOOR HANDLE 500 GPB
22001-168	CONTROL KNOB BEZEL SML
22002-268	CONTROL KNOB BEZEL LARGE
24005-12AB	LID-HANDLE BENT,
52809-957	MANIFOLD - REAR BURNER AB
52005-991	WARMING RACK 440 PORC
21035-991	GREASE RAIL 440/500 SABLE BLK
59005-074	CONTROL ASSY 4V S/B R/B LP +
59005-077	VALVE ASSY 440 S/B R/B NG
21009-951	TANK COLLAR CLAMP 625/750 BLK PULL OUT
27905-354	BURNER TUBE REAR 500 W/WINDSHIELD
51239-901	TANK PREVENTION BRACKET 440 + BLK
51335-211	TOP MAGNET BRACKET 440 BLACK
52009-901	GREASE PAN - BLACK HIGH HEAT PAINT
57139-13	BRACKET U-CHANNEL REAR 330/440/550
10111-15A	HOSE ASSEMBLY SS
10114-16	HOSE & REG ASSY 17 INCH LP +
52904-144NG	BURNER ASSY MAIN SINGLE TUBE + NG
53001-011A	SHELF ASSEMBLY 330/440 RHS + SS FASCIA
10892-286	CASTER 3 INCH W/O LEG LEVEL
51639-908	CASTER BRACKET RESIN BLK AB
27249-904	GREASE SHIELD MODULAR, 6.5 x 6
22025-903	COLLECTOR BOX ASSY 500 430SS

OMC

ASSEMBLY MANUAL & PARTS LIST • MANUEL DE MONTAGE & LISTE DE PIÈCES • MANUAL DE ARMADO Y LISTA DE PARTES



STERLING 565384/87
565344/47

HUNTINGTON 365384/87
365344/47

BROIL-MATE 765384/87
765344/47



STERLING 565284/87

HUNTINGTON 365284/87

BROIL-MATE 765284/87



STERLING 565364/67
565324/27

HUNTINGTON 365364/67
365324/27

BROIL-MATE 765364/67
765324/27



STERLING 565264/67

HUNTINGTON 365264/67

BROIL-MATE 765264/67



STERLING 565354/57

HUNTINGTON 365354/57

BROIL-MATE 765354/57



STERLING 565254/57

HUNTINGTON 365254/57

BROIL-MATE 765254/57



STERLING 565954T/57T

RETAIN FOR FUTURE REFERENCE • VEUILLEZ CONSERVER POUR REFERENCE ULTERIEURE • CONSERVAR PARA FUTURAS CONSULTAS

1-800-265-2150

info@omcbbq.com

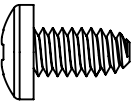
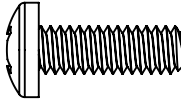
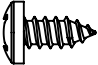
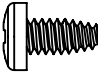
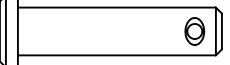

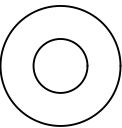
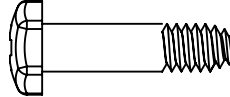
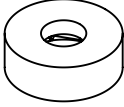
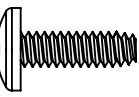


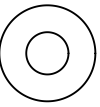
Onward
MANUFACTURING COMPANY
SINCE 1906
1000 EAST MARKET STREET
HUNTINGTON, INDIANA, 46750, USA

50084-E48 Rev C 11/17

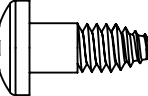
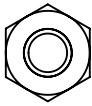
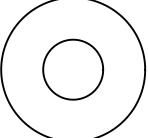


PCËJÖY ÇËJÒÁÐ ÔŠWÖÖÁÄÄT ÇËVÒÜÇSÁÐ ÔŠWÀÄÄKÖÛWÖUÙÁÐ ÔŠWÖÜ

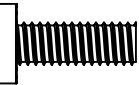
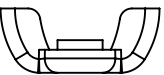


YËGÎÍ  çFI	YËGF€  çÍ Á	ÛGFFG  çì
YËJHÈ  çl	ÛGFHÍ  çG	ÛGFHH  çG
YËGÍÏ  çl	YËFÍÍF  çG	YËFGI  çG
ÙHÍ €J  çF	GÈÈÈÍ ÈÈÈÈ  çF	
YËJH€  çÍ	YËGÍ€  çG	

)*)', (ž*)&, (ž'*)', (ž'*)&, (ž+*)', (ž+*)&, (ž*)'*(ž*)&*(ž'*)'*(ž'*)&*(ž+*)'*(ž+*)&*(ž'*)'

YËFÍÍÍ  çG	YËFÍJÍ  çG	ÛGFÍÍ  çG
---	---	--

)*)', (#, +ž*)&, (#, +ž'*)', (#, +ž'*)&, (#, +ž+*)', (#, +ž+*)&, (#, +

ÙHÍ €JÍ  çG	ÛGF€ÍF  çG
--	---

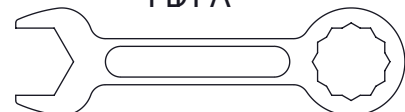
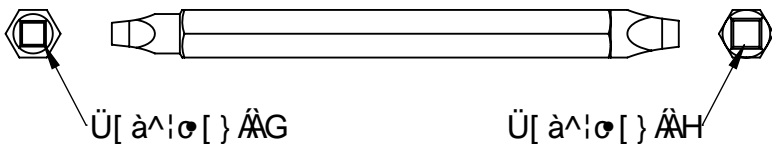


VUUŠUÁÛÖÛWÖÖÁÄÄWŠUÁÐ ÖÖÖÜÜÇËÛÖÜÁÄÄP ÖÜÜÇÈ ÇÈVÇUÁÐ ÖÖÖÜÜÇËÛÖÜ

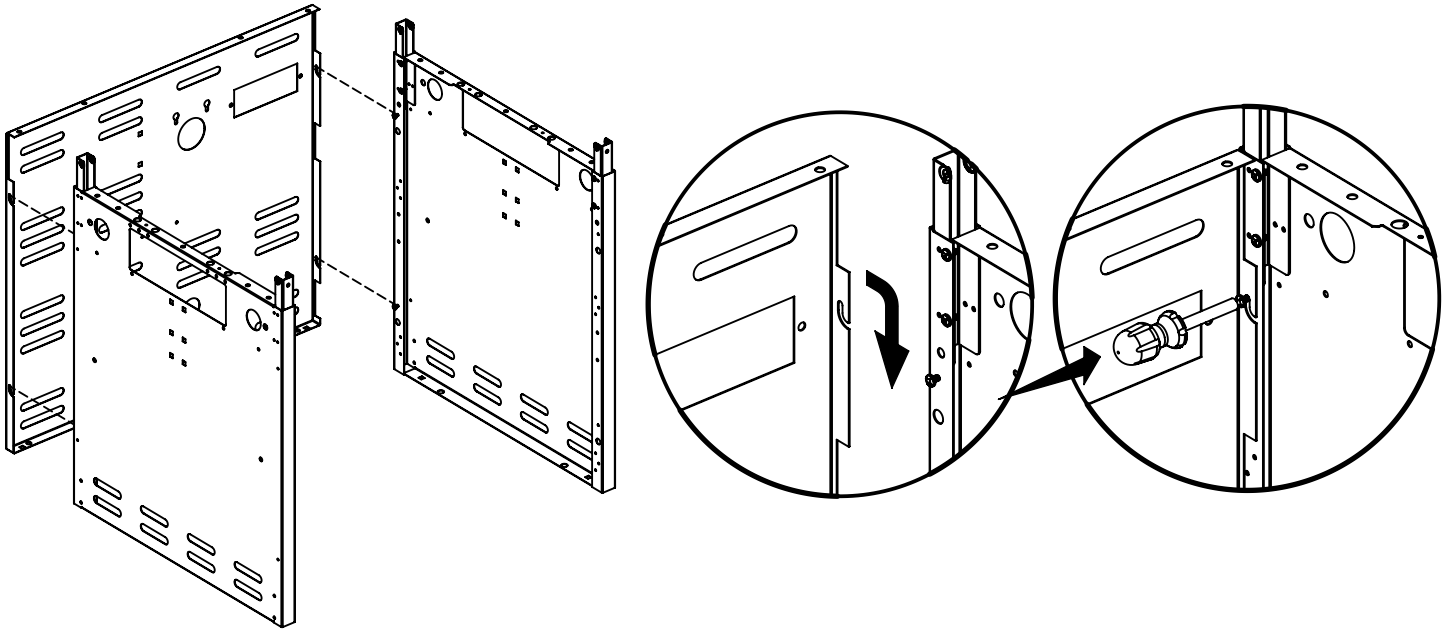


YËFGGH

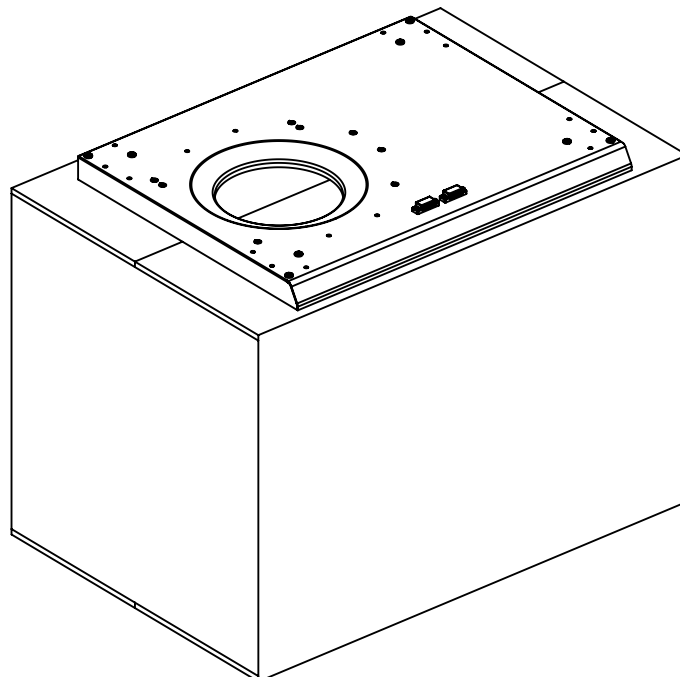
ÏÞÍÄ

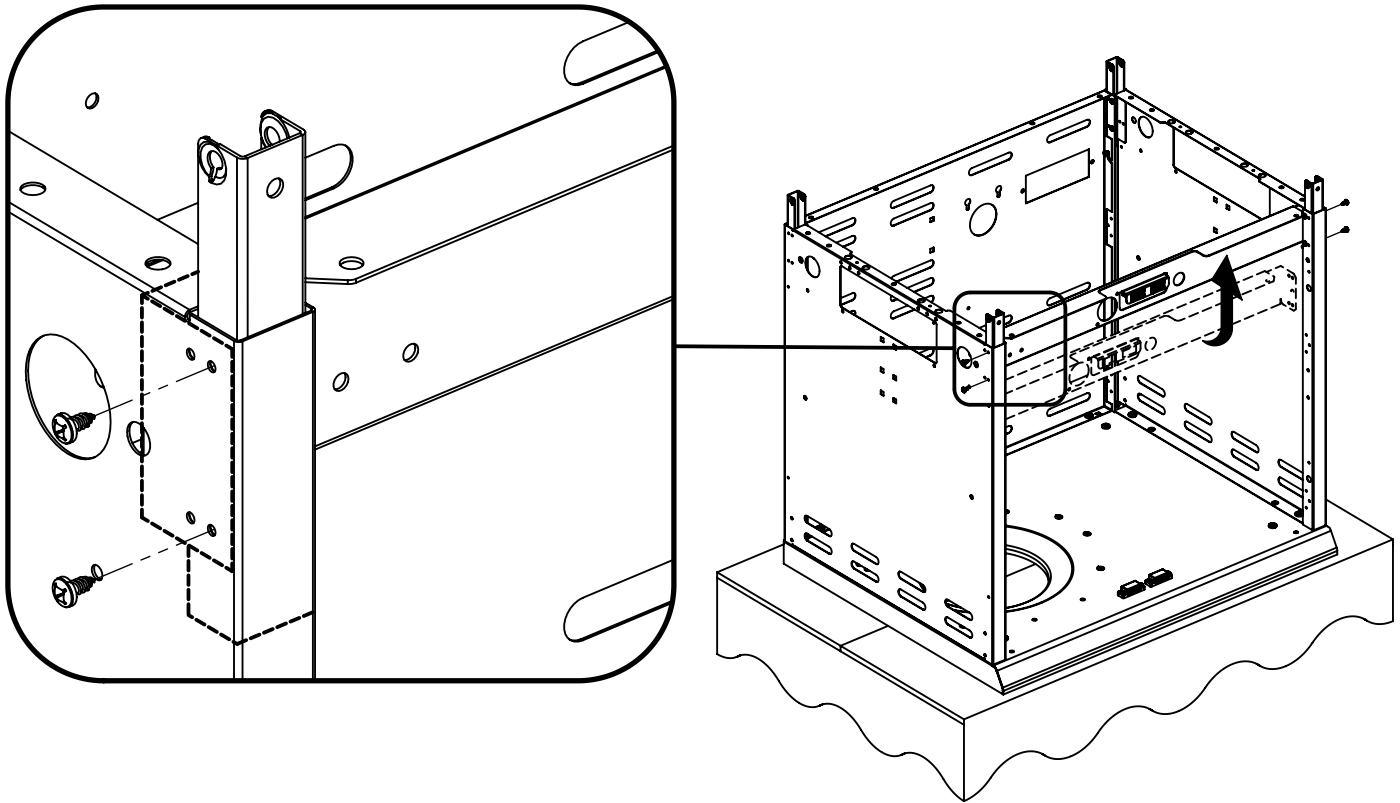
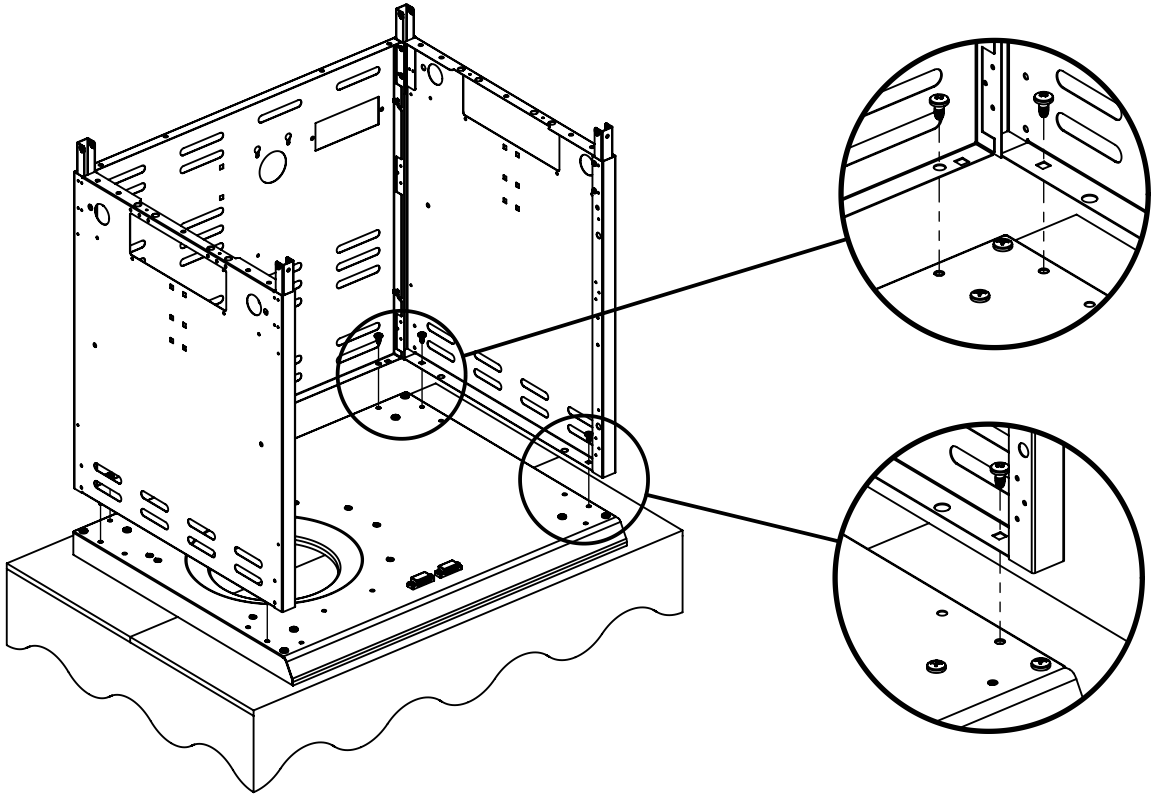


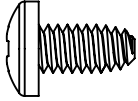
%

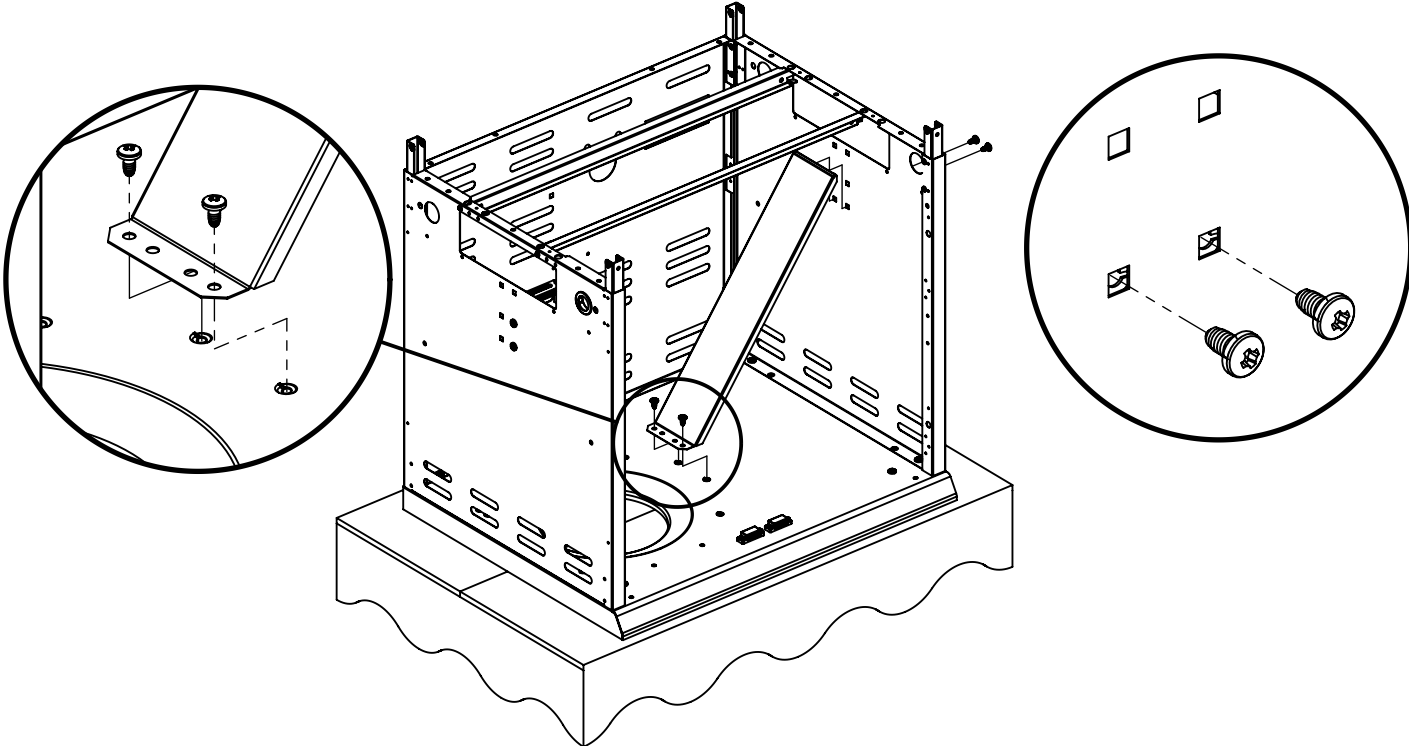


&

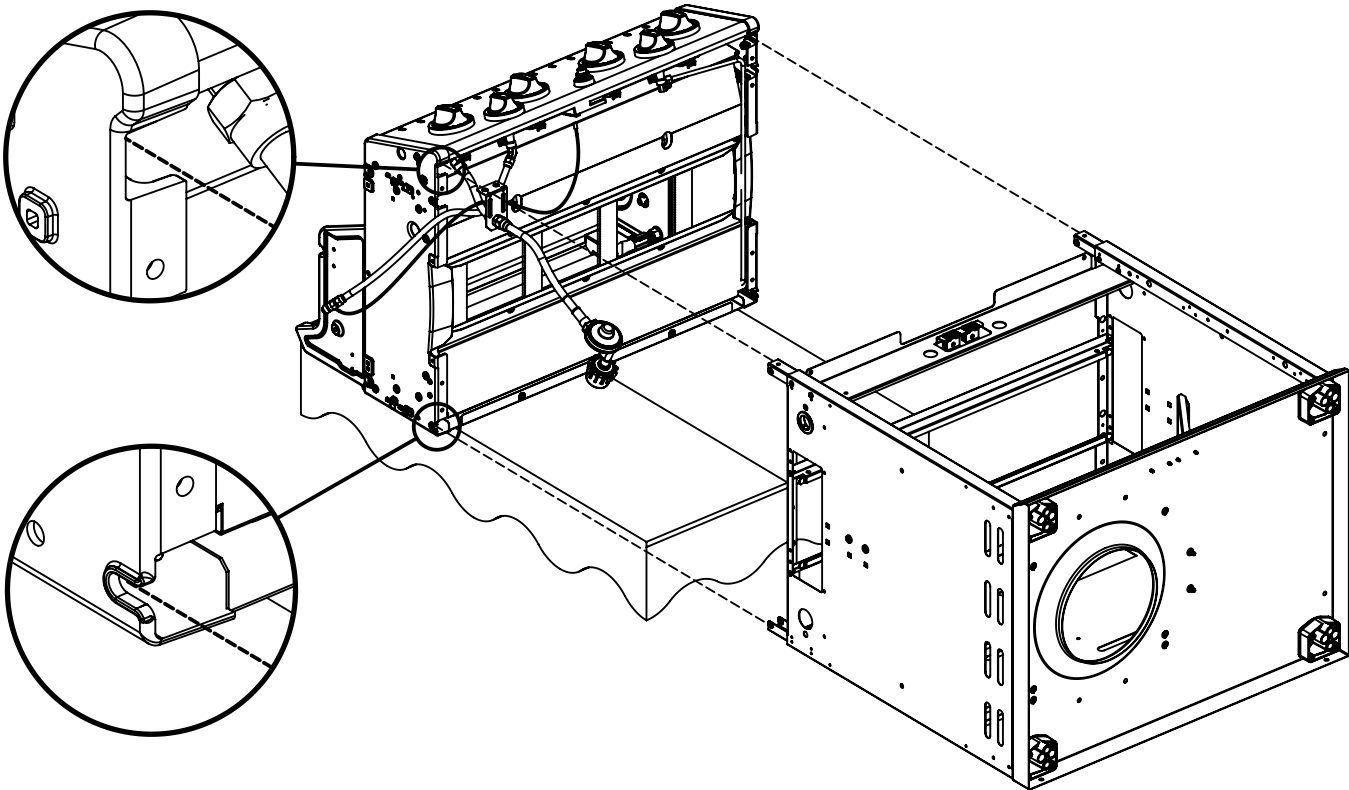


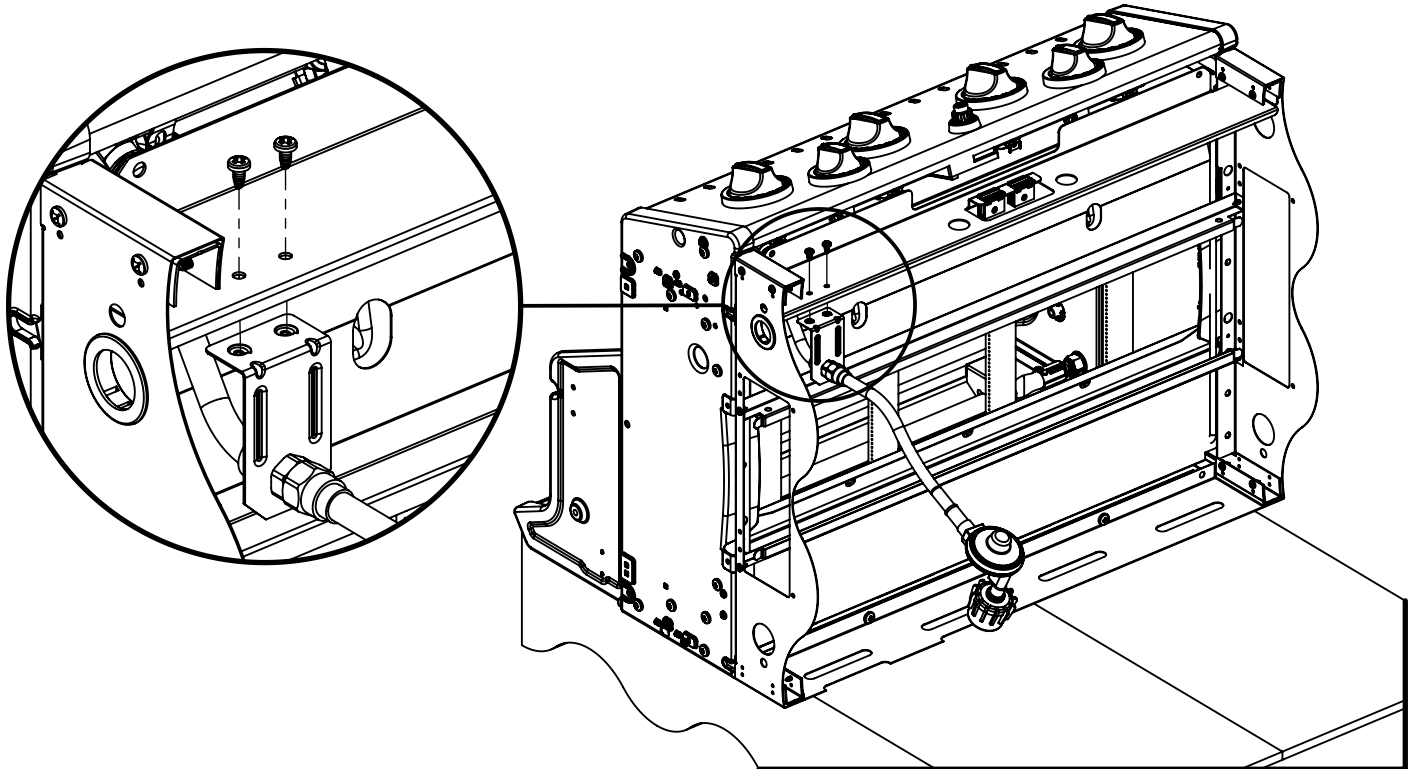
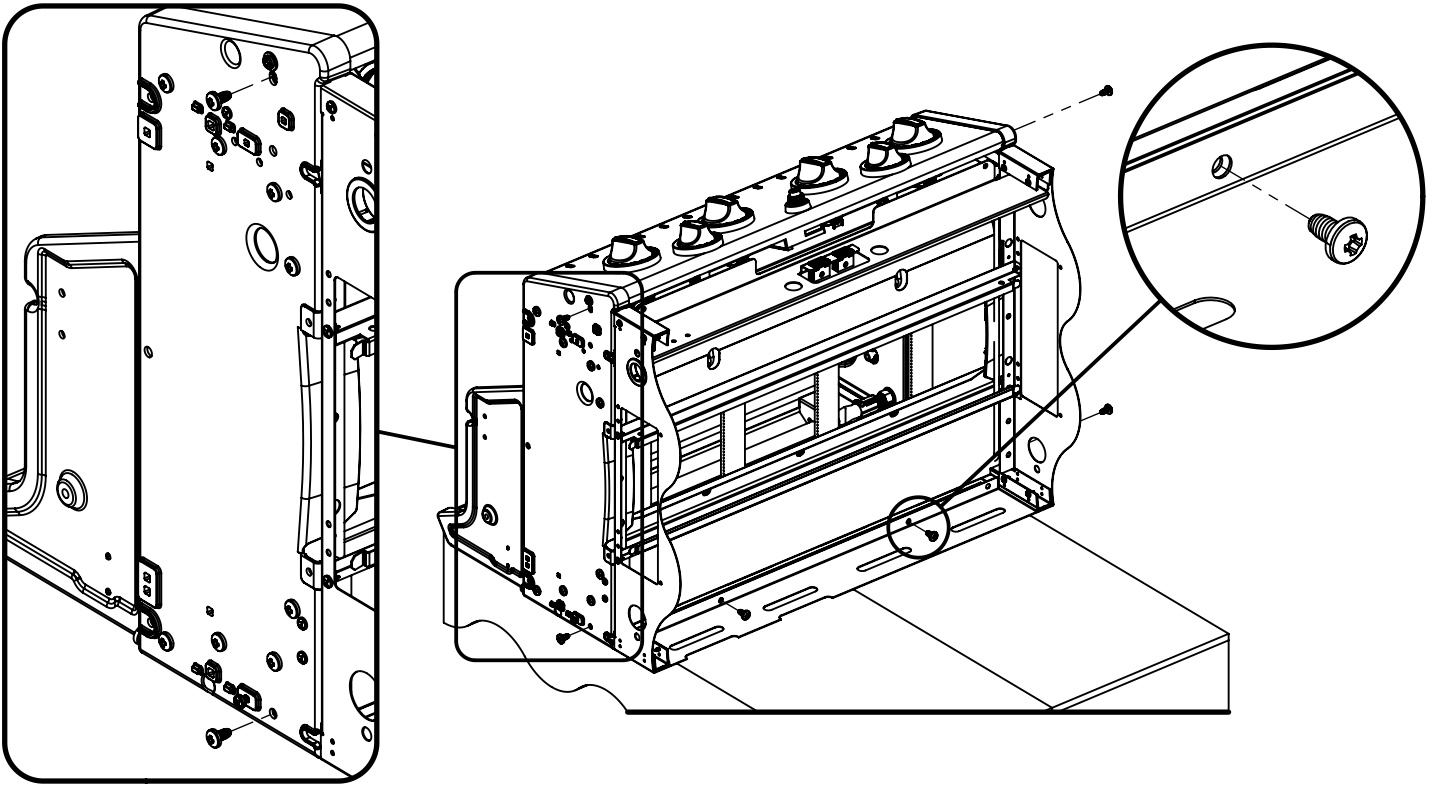
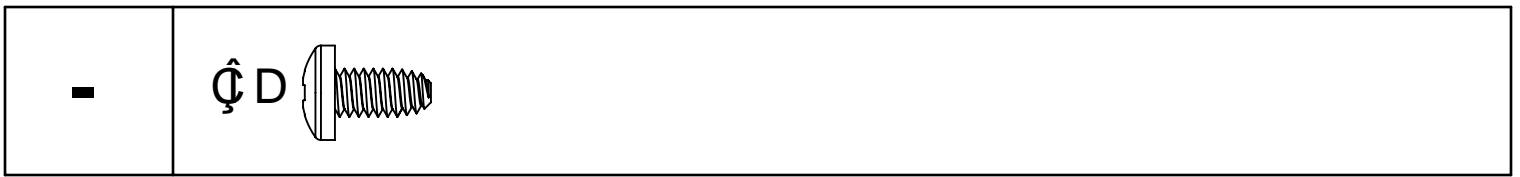


+	Ç D 
---	---

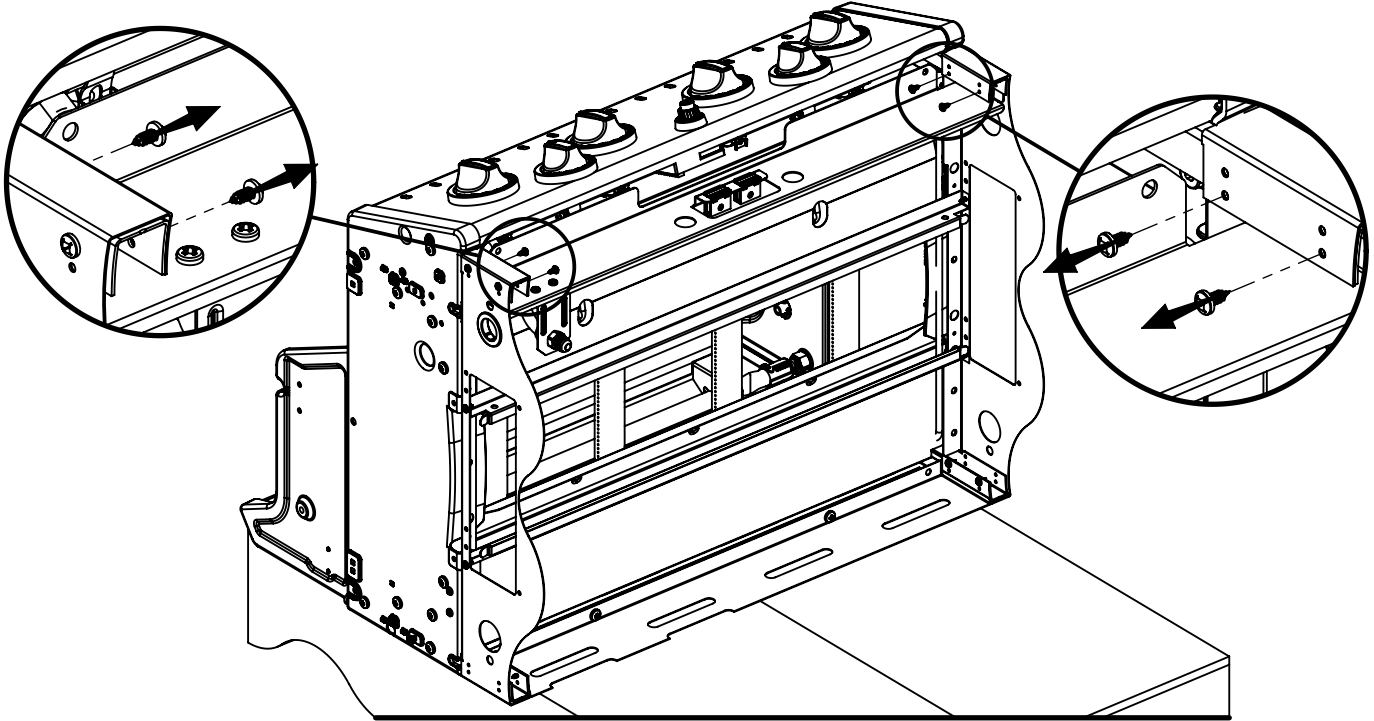
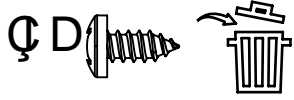


,	
---	--

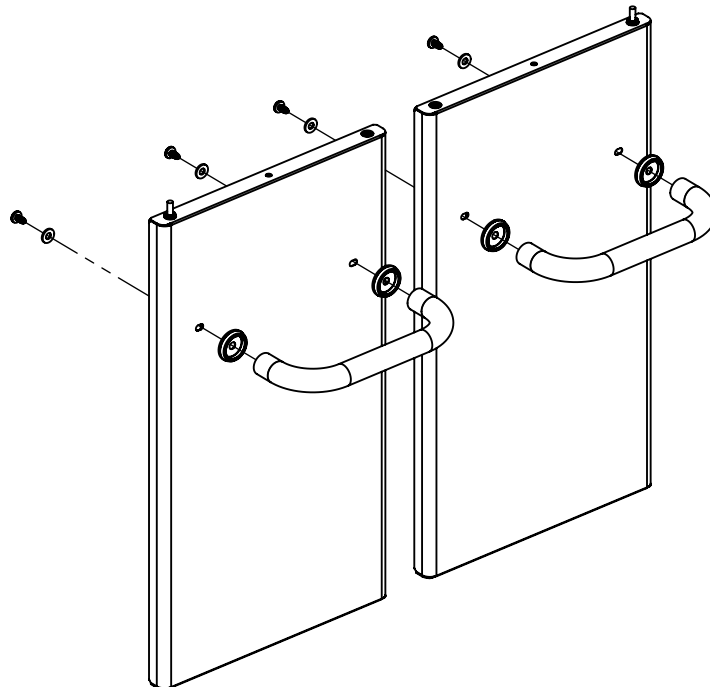
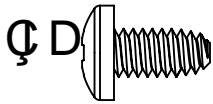


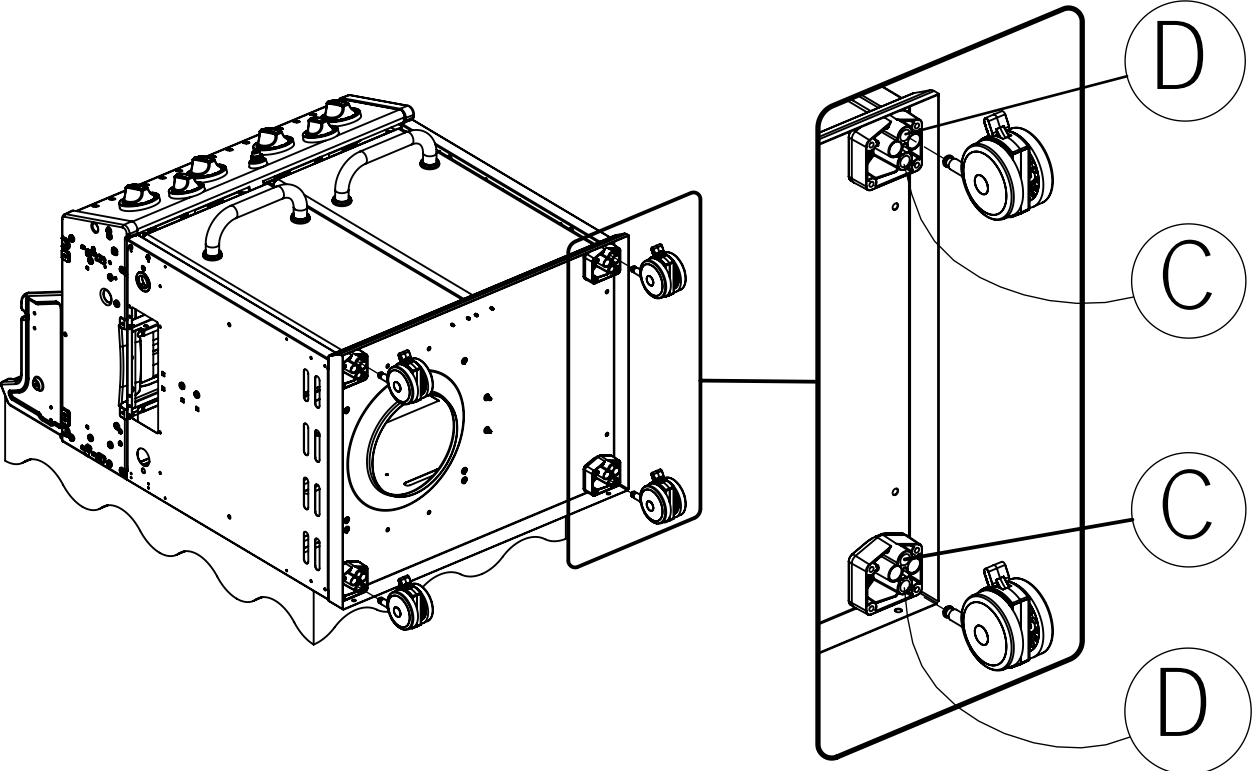
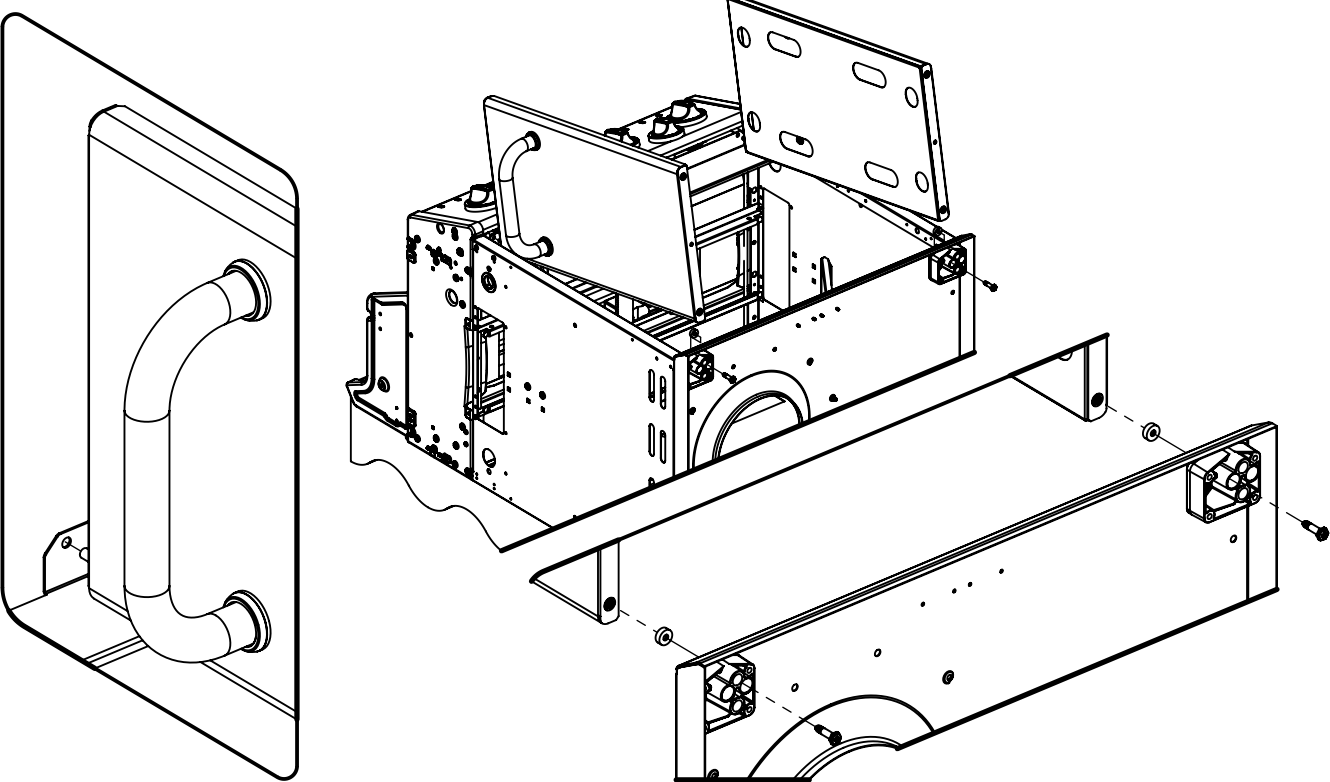
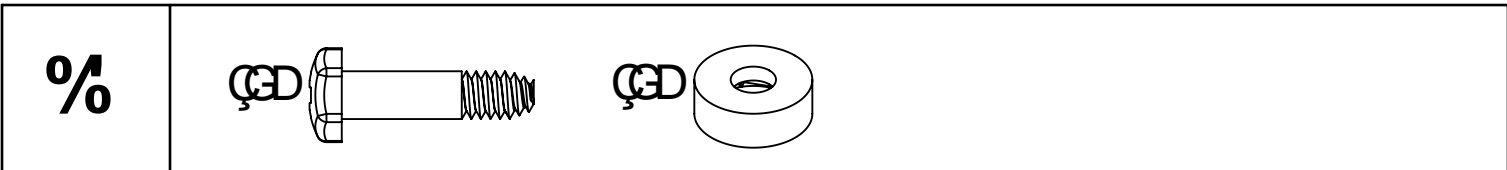


0/0

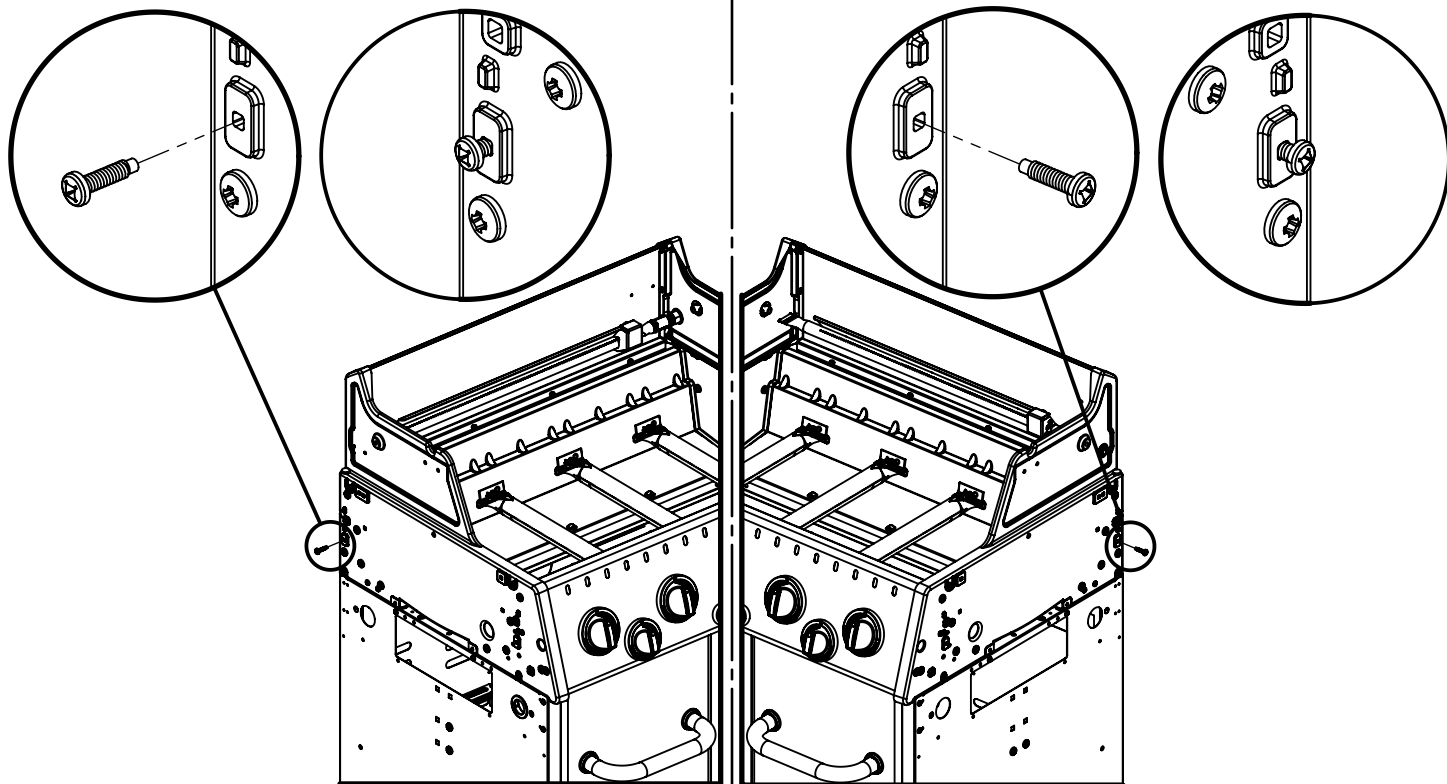
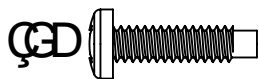


0/8

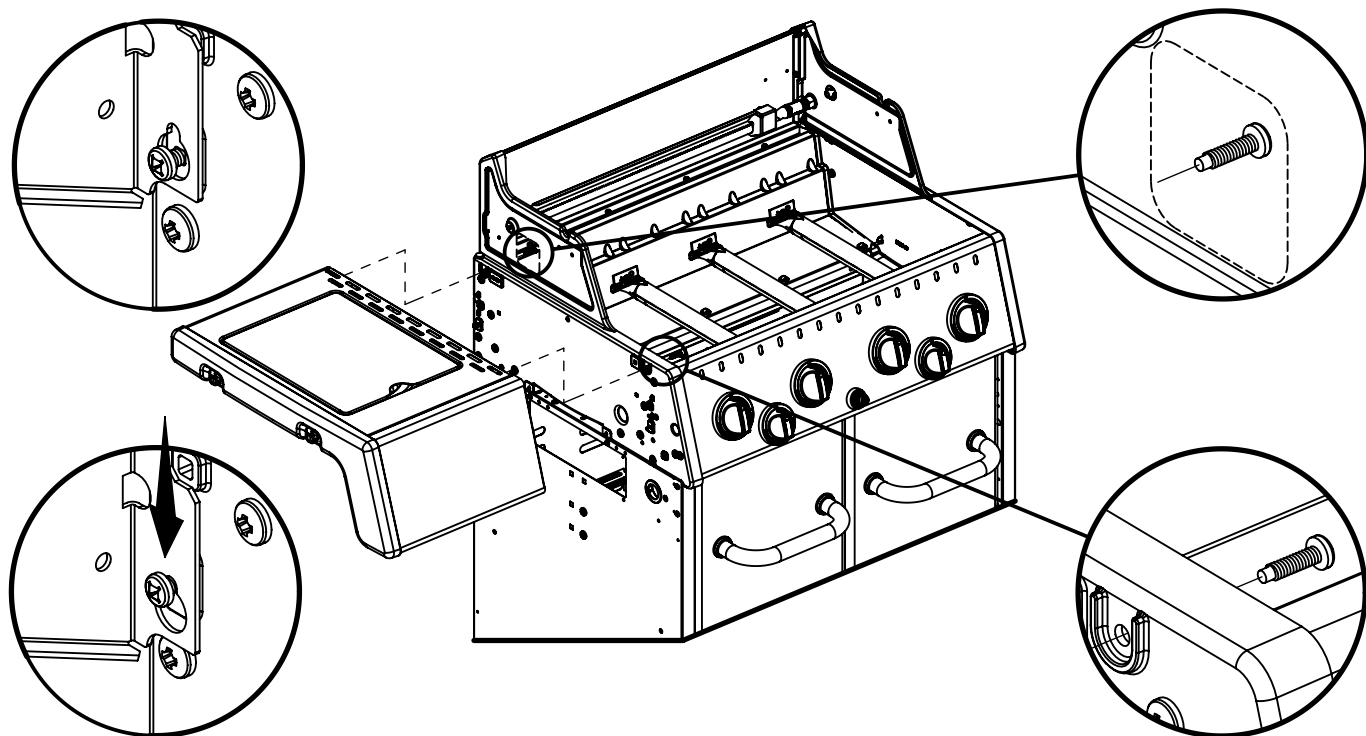
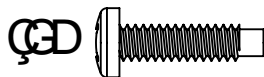


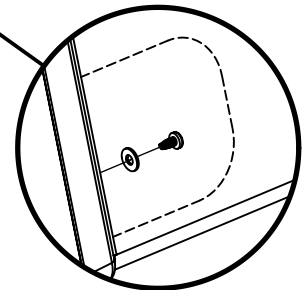
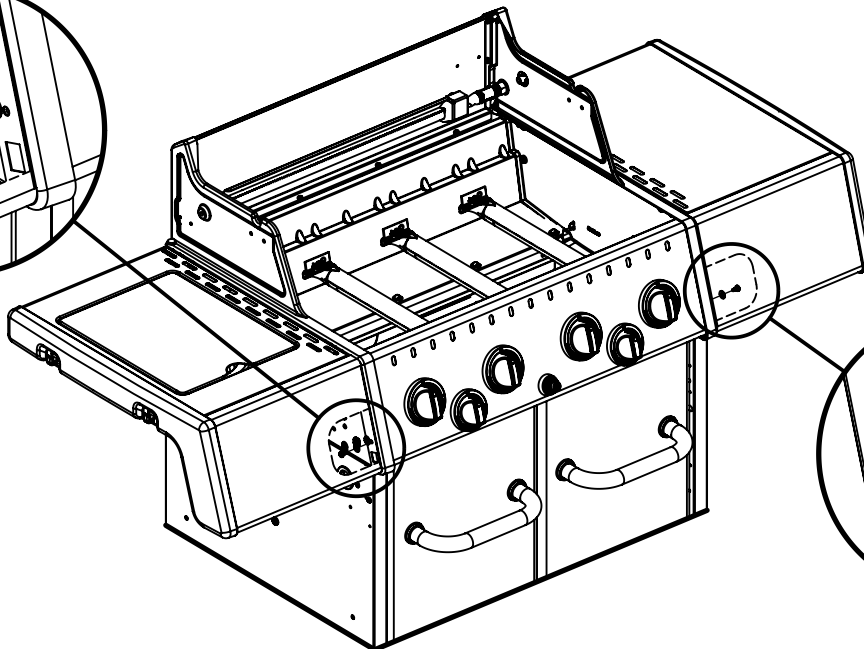
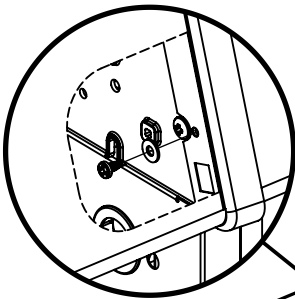
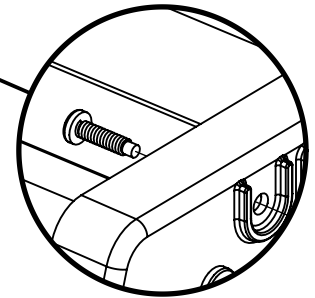
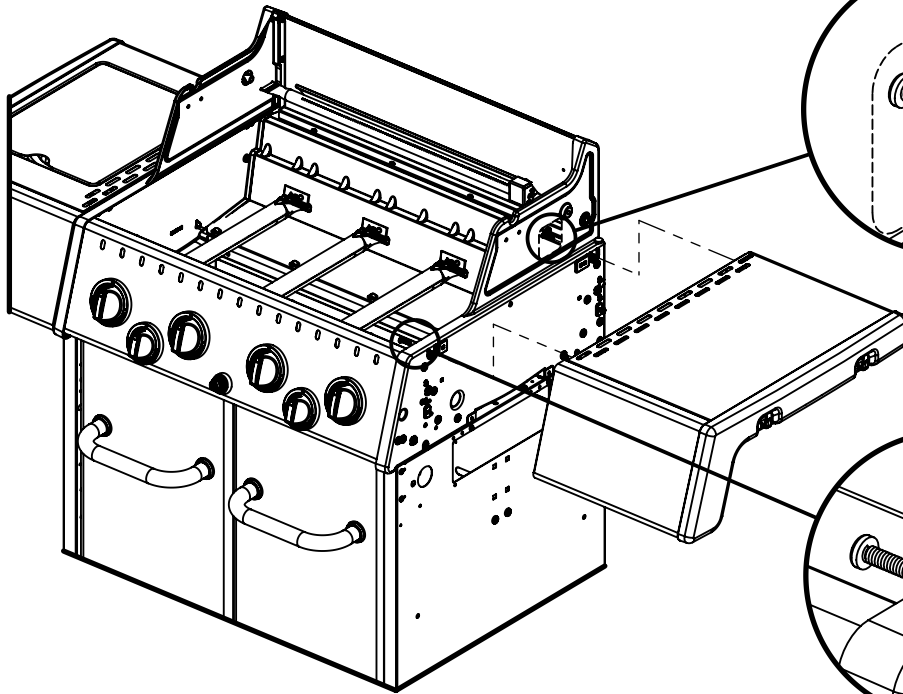
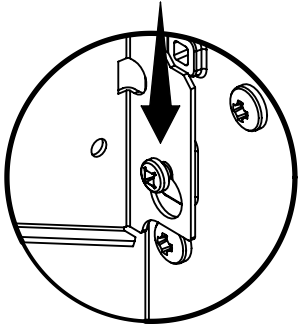
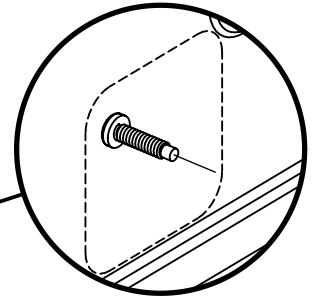
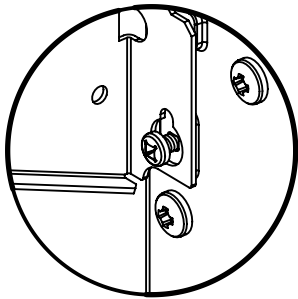
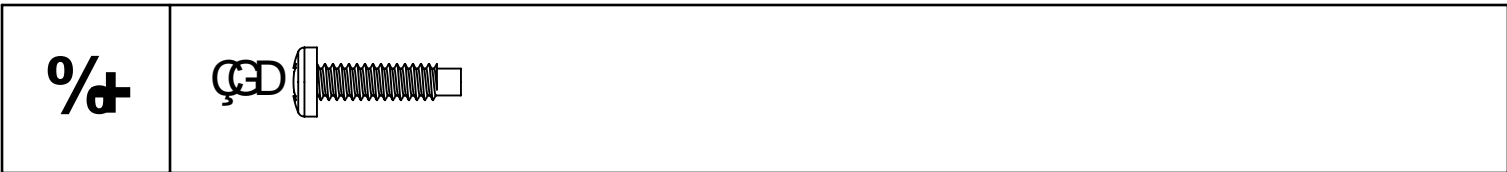


0/4

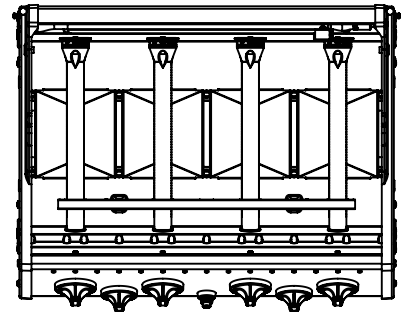
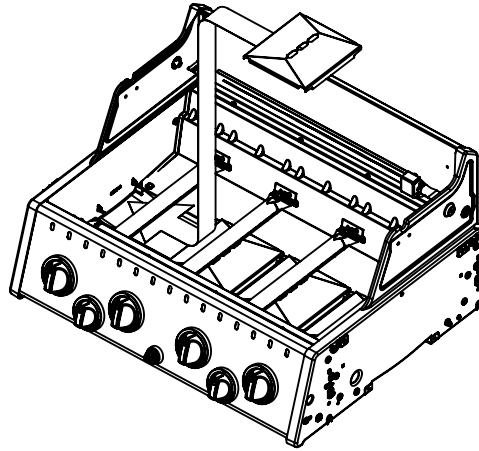
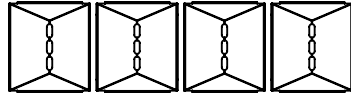
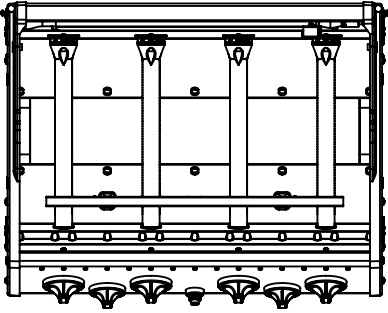


0/*

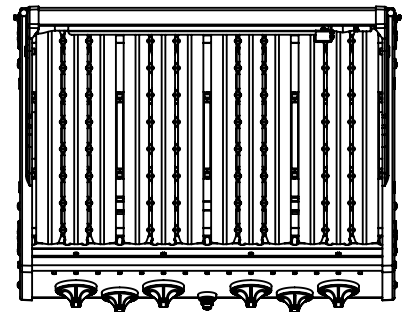
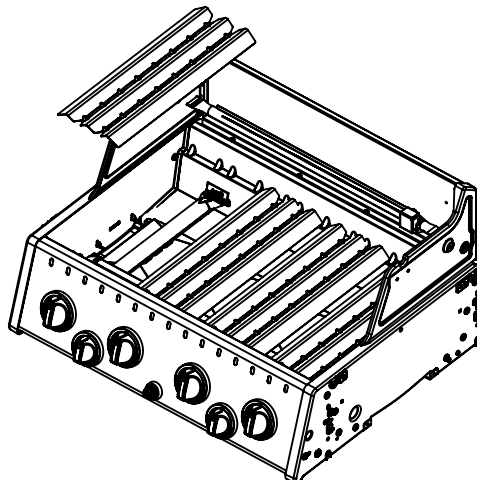
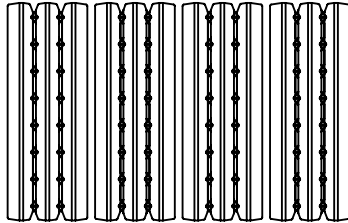
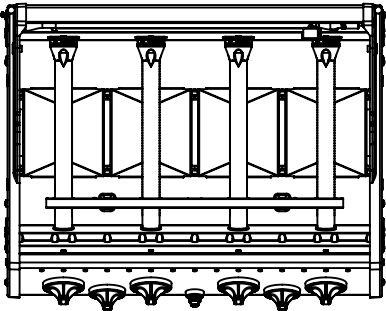




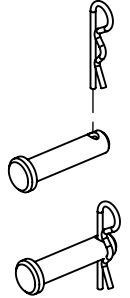
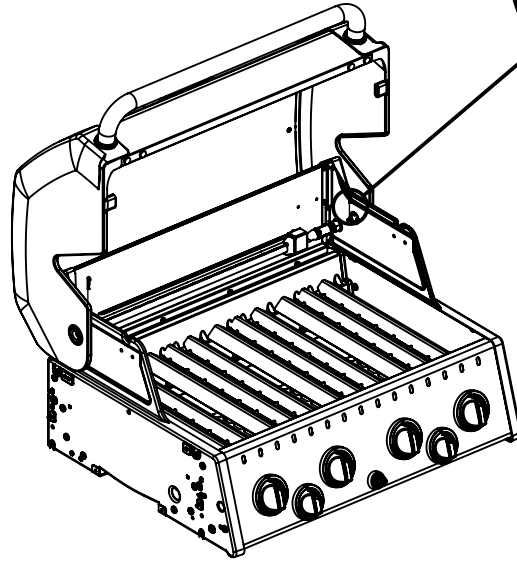
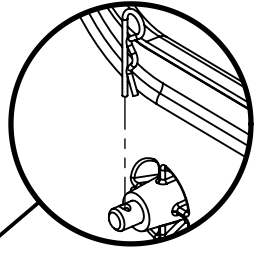
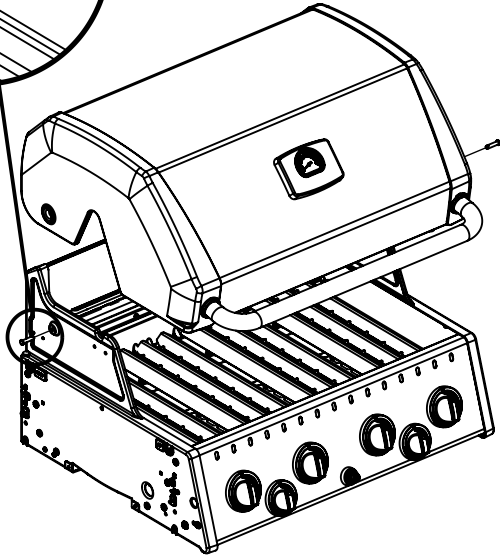
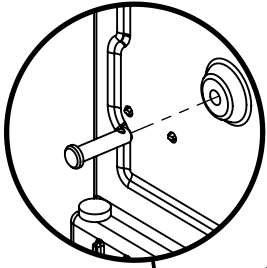
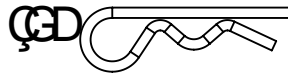
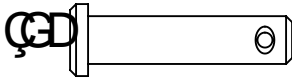
&\$



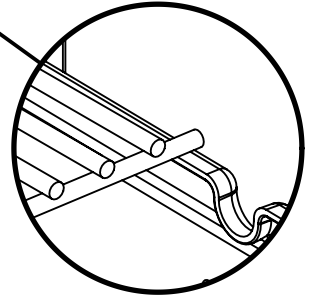
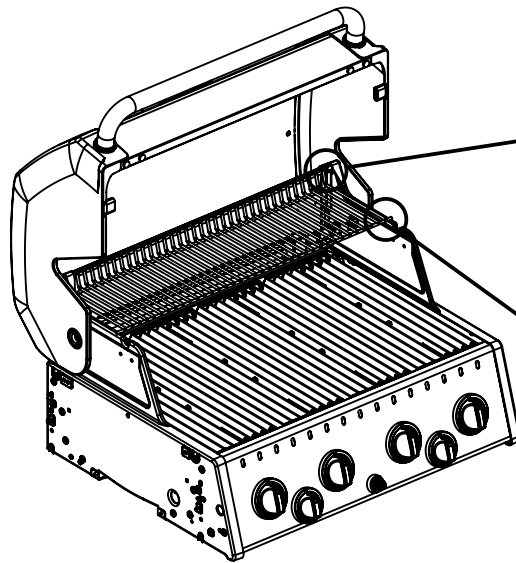
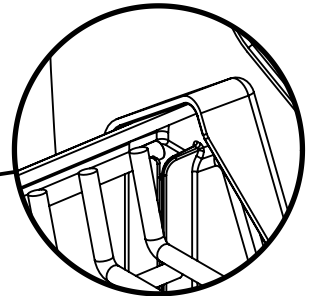
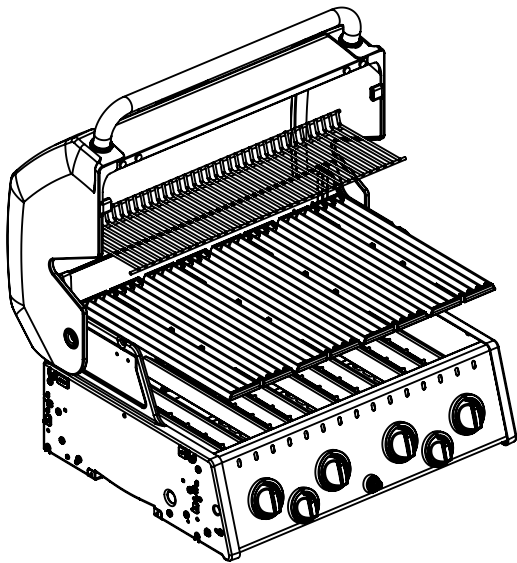
&%

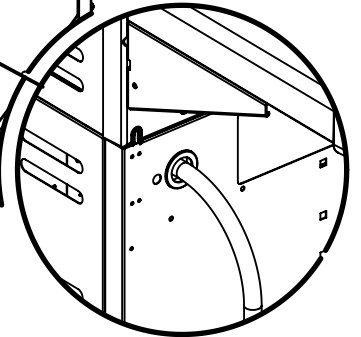
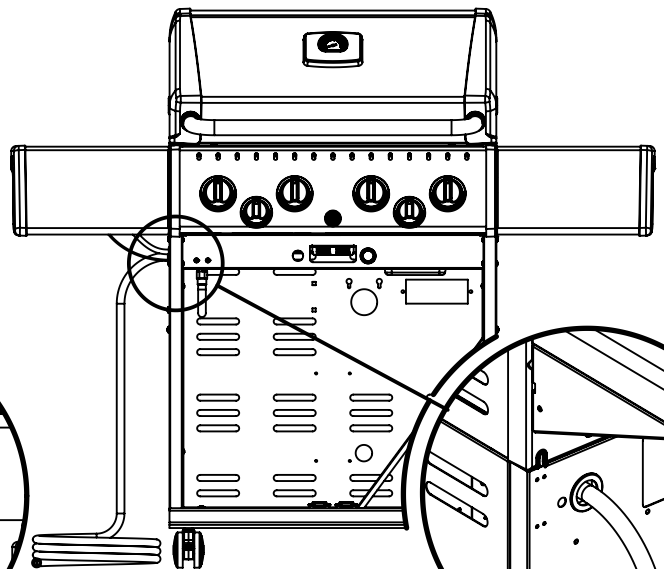
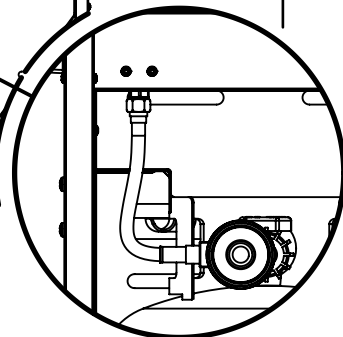
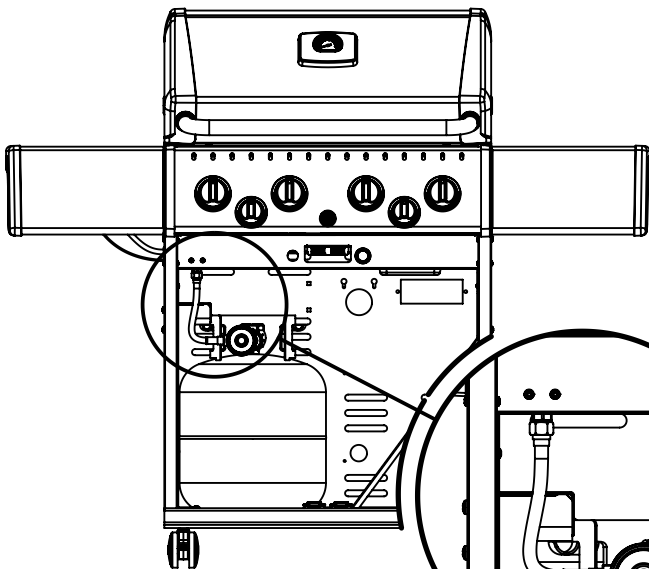
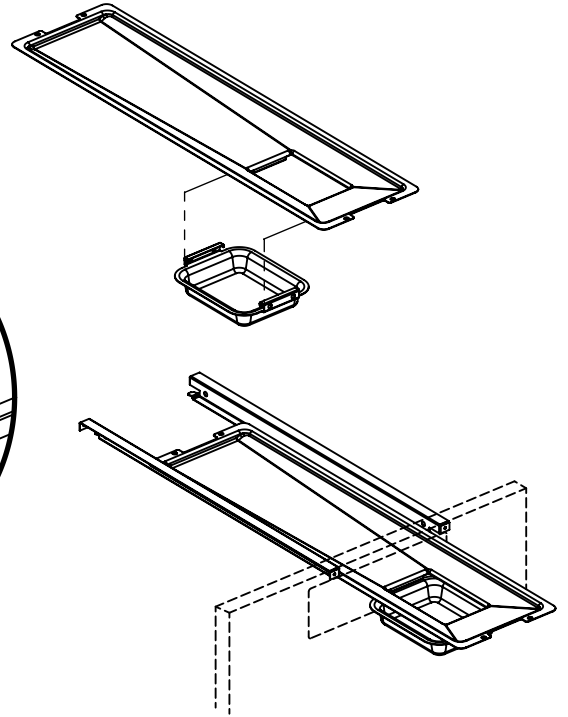
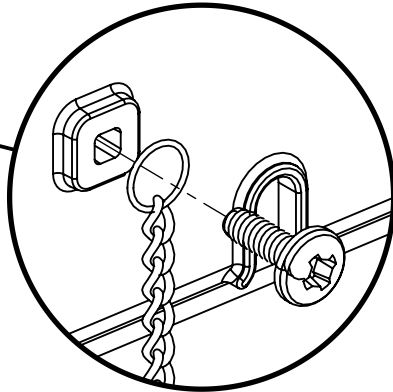
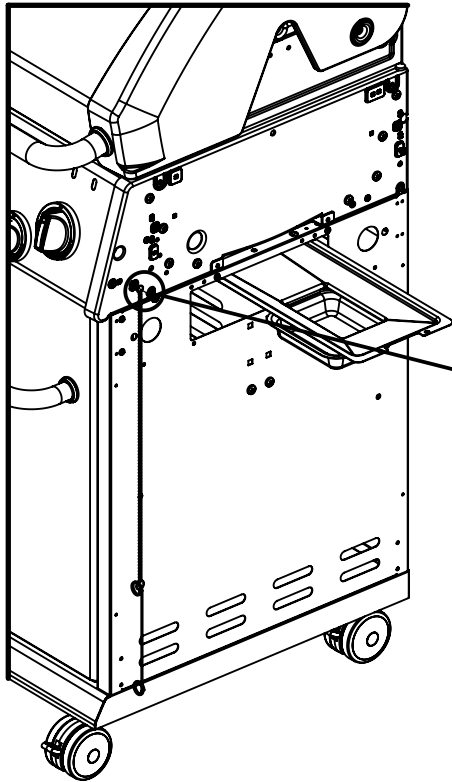
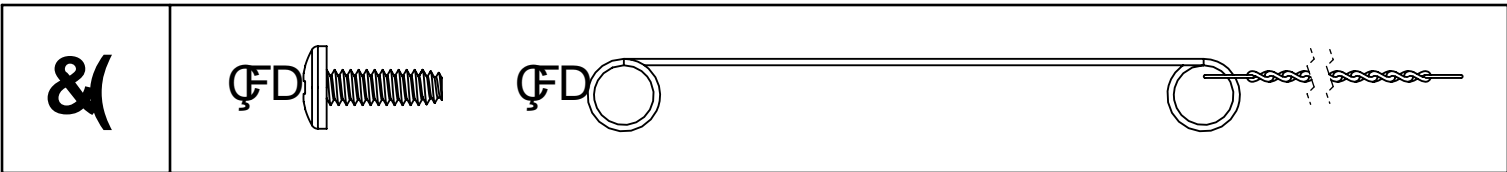


&&



&





KEY #	ITEM #	DESCRIPTION	DESCRIPTION	DESCRIPCION	DESCRIPCION	765284	765287	765284	765287	765284	765287	765284	765287	765284	765287	765284	765287	765284	765287		
1	56005-804	LID	COVERCLE	TAPA	TAPA	1	1	1	1	1	1	1	1	1	1	1	1	1	1	765344	765347
5	10081-69S	NAMEPLATE	PLAQUE D'IDENTIFICATION	PLACA CON NOMBRE	PLACA CON NOMBRE	1	1	1	1	1	1	1	1	1	1	1	1	1	1	765384	765387
6	10571-6	HEAT INDICATOR	INDICATEUR DE CHALEUR	INDICADOR DE TEMPERATURA	INDICADOR DE TEMPERATURA	1	1	1	1	1	1	1	1	1	1	1	1	1	1	765284	765287
7	24005-12A	HANDLE	POIGNÉE	MANGO	MANGO	1	1	1	1	1	1	1	1	1	1	1	1	1	1	765284	765287
8	24009-936	HANDLE BEZEL	MONTURE DE POIGNÉE	BISEL DEL MANGO	BISEL DEL MANGO	2	2	2	2	2	2	2	2	2	2	2	2	2	2	765284	765287
10	52005-274	FIREBOX	BOITE DE FEU	CAJA DE FUEGO	CAJA DE FUEGO	1	1	1	1	1	1	1	1	1	1	1	1	1	1	765284	765287
15	22225-014A	COLLECTOR BOX	COLLECTE BOX	CAJA RECOLECTORA	CAJA RECOLECTORA	1	1	1	1	1	1	1	1	1	1	1	1	1	1	765284	765287
17	27249-904	GREASE SHIELD	PROTECTION CONTRE LA GRAISSE	PROTECTOR CONTRA GRASA	PROTECTOR CONTRA GRASA	4	4	4	4	4	4	4	4	4	4	4	4	4	4	765284	765287
25	52904-144LP	BURNER - MAIN	BRÛLEUR - PRINCIPAL	QUEMADOR - PRINCIPAL	QUEMADOR - PRINCIPAL	4/4	4/4	4/4	4/4	4/4	4/4	4/4	4/4	4/4	4/4	4/4	4/4	4/4	4/4	765284	765287
28	52025-304NA	CONTROL COVER	PANNEAU DE CONTROLE	CUBIERTA DE CONTROL	CUBIERTA DE CONTROL	1	1	1	1	1	1	1	1	1	1	1	1	1	1	765284	765287
29	59005-074	CONTROL ASSEMBLY	SOUPAPE	MECANISMO DE CONTROL	MECANISMO DE CONTROL	1	1	1	1	1	1	1	1	1	1	1	1	1	1	765284	765287
30	S13473-091	HOSE - SIDE BURNER	HOSE - BRÛLEUR DE CÔTÉ	MANGUERA - QUEMADOR LATERAL	MANGUERA - QUEMADOR LATERAL	1/4	1/4	1/4	1/4	1/4	1/4	1/4	1/4	1/4	1/4	1/4	1/4	1/4	1/4	765284	765287
31	10114-16	HOSE & REGULATOR	TUYAU ET REGULATEUR	MANGUERA Y REGULADOR	MANGUERA Y REGULADOR	1/4	1/4	1/4	1/4	1/4	1/4	1/4	1/4	1/4	1/4	1/4	1/4	1/4	1/4	765284	765287
32	10111-K45	NATURAL GAS HOSE	TUYAU DE GAZ NATUREL	MANGUERA PARA GAS NATURAL	MANGUERA PARA GAS NATURAL	1/4	1/4	1/4	1/4	1/4	1/4	1/4	1/4	1/4	1/4	1/4	1/4	1/4	1/4	765284	765287
33	27905-354	BURNER - ROTISSERIE	BRÛLEUR DE TOURNÉBROCHE	QUEMADOR PARA ROSTIZAR	QUEMADOR PARA ROSTIZAR	1	1	1	1	1	1	1	1	1	1	1	1	1	1	765284	765287
34	S15608A	ELECTRODE	ELECTRODE	ELECTRODO	ELECTRODO	1	1	1	1	1	1	1	1	1	1	1	1	1	1	765284	765287
35	50909-957	MANIFOLD - REAR BURNER	TUBO DE BRÛLEUR ARRIÈRE	TUBO. QUEMADOR POSTERIOR	TUBO. QUEMADOR POSTERIOR	1	1	1	1	1	1	1	1	1	1	1	1	1	1	765284	765287
36	Y-11990	NUT HEX	ÉCROU HEXAGONAL	TUERCA HEXAGONAL	TUERCA HEXAGONAL	1	1	1	1	1	1	1	1	1	1	1	1	1	1	765284	765287
38	22002-268	CONTROL BEZEL - RESIN - LARGE	CONTROL BEZEL - RESIN - LARGE	BISEL DE CONTROL	BISEL DE CONTROL	4	4	4	4	4	4	4	4	4	4	4	4	4	4	765284	765287
39	22001-168	CONTROL BEZEL - RESIN - SMALL	CONTROL BEZEL - RESIN - SMALL	BISEL DE CONTROL	BISEL DE CONTROL	1	1	1	1	1	1	1	1	1	1	1	1	1	1	765284	765287
40	10472-K431	CONTROL KNOB - LARGE	BOUTON DE CONTROLE	PERILLA DE CONTROL	PERILLA DE CONTROL	4	4	4	4	4	4	4	4	4	4	4	4	4	4	765284	765287
41	10472-K231	CONTROL KNOB - SMALL	BOUTON DE CONTROLE	PERILLA DE CONTROL	PERILLA DE CONTROL	1	1	1	1	1	1	1	1	1	1	1	1	1	1	765284	765287
42	10342-247	ELECTRONIC IGNITOR	ALLUMAGE ELECTRONIQUE	ENCENDEADOR ELECTRÓNICO	ENCENDEADOR ELECTRÓNICO	1	1	1	1	1	1	1	1	1	1	1	1	1	1	765284	765287
43	10342-245	ELECTRODE	ÉLECTRODE	ELECTRODO	ELECTRODO	1	1	1	1	1	1	1	1	1	1	1	1	1	1	765284	765287
44	52209-404	FLAV-R-WAVE®	FLAV-R-WAVE®	FLAV-R-WAVE®	FLAV-R-WAVE®	2	2	2	2	2	2	2	2	2	2	2	2	2	2	765284	765287
45a	52007-181	GRID-SINGLE-CAST IRON	GRILLE-SEUL-FER	REJILLA-UNICA-HIERRO	REJILLA-UNICA-HIERRO	4	4	4	4	4	4	4	4	4	4	4	4	4	4	765284	765287
45b	52005-284	GRID-SINGLE-SS	GRILLE-SEUL-INOX	REJILLA-UNICA-INOX	REJILLA-UNICA-INOX	2	2	2	2	2	2	2	2	2	2	2	2	2	2	765284	765287
46	52002-181	GRID-DOUBLE-CAST IRON	GRILLE-DOUBLE-FER	REJILLA-DOUBLE-HIERRO	REJILLA-DOUBLE-HIERRO	2	2	2	2	2	2	2	2	2	2	2	2	2	2	765284	765287
47	52005-991	GRID-DOUBLE-SS	GRILLE-DOUBLE-INOX	REJILLA-DOUBLE-INOX	REJILLA-DOUBLE-INOX	2	2	2	2	2	2	2	2	2	2	2	2	2	2	765284	765287
48	52009-901	GRID - WARMING RACK	GRILLE - MAINTIEN AU CHAUD	REJILLA - ESTANTE PARA CALENTAR	REJILLA - ESTANTE PARA CALENTAR	1	1	1	1	1	1	1	1	1	1	1	1	1	1	765284	765287
49	21035-991	GREASE TRAY	PLATEAU A GRAISSE	BANDEJA RECOLECTORA DE GRASA	BANDEJA RECOLECTORA DE GRASA	1	1	1	1	1	1	1	1	1	1	1	1	1	1	765284	765287
50	51275-134A	GREASE PAN	CUVETTE A GRAISSE	BANDEJA PARA LA GRASA	BANDEJA PARA LA GRASA	2	2	2	2	2	2	2	2	2	2	2	2	2	2	765284	765287
51	51275-131A	DOOR - LEFT HAND	PORTE - GAUCHE	PUERTA - IZQUIERDA	PUERTA - IZQUIERDA	1	1	1	1	1	1	1	1	1	1	1	1	1	1	765284	765287
55	21071-113	DOOR - RIGHT HAND	PORTE - DROITE	PUERTA - DERECHA	PUERTA - DERECHA	1	1	1	1	1	1	1	1	1	1	1	1	1	1	765284	765287
56	21070-13	DOOR HANDLE	POIGNÉE DE LA PORTE	TIRADOR DE PUERTA	TIRADOR DE PUERTA	2	2	2	2	2	2	2	2	2	2	2	2	2	2	765284	765287
60	21109-905	HANDLE BEZEL	MONTURE DE POIGNÉE	TIRADOR BEZEL	TIRADOR BEZEL	4	4	4	4	4	4	4	4	4	4	4	4	4	4	765284	765287
61	21305-925	CABINET - SIDE PANEL	CABINET - PANNEAU LATÉRAL	ARMARIO - PANEL LATERAL	ARMARIO - PANEL LATERAL	2	2	2	2	2	2	2	2	2	2	2	2	2	2	765284	765287
65	51615-241	CABINET - REAR PANEL	CABINET - PANNEAU ARRIÈRE	ARMARIO - PANEL TRASERO	ARMARIO - PANEL TRASERO	1	1	1	1	1	1	1	1	1	1	1	1	1	1	765284	765287
65	51615-245	CABINET - LOWER BASE	CABINET - INFÉRIEURE	ARMARIO - BASE INFERIOR	ARMARIO - BASE INFERIOR	1/4	1/4	1/4	1/4	1/4	1/4	1/4	1/4	1/4	1/4	1/4	1/4	1/4	1/4	765284	765287
	51615-275					1/4	1/4	1/4	1/4	1/4	1/4	1/4	1/4	1/4	1/4	1/4	1/4	1/4	1/4	765284	765287
	51615-271					1	1	1	1	1	1	1	1	1	1	1	1	1	1	765284	765287

