

This Owner's Manual is provided and hosted by [Appliance Factory Parts](#).



Broil-Mate 765284 Owner's Manual

[Shop genuine replacement parts for Broil-Mate 765284](#)



[Find Your Broil-Mate Grill Parts - Select From 682 Models](#)

----- Manual continues below part list -----

Available Replacement Parts for Broil-Mate 765284

18013	LARGE PROBE HEAT INDICATOR
S21124	SCREW PHCP #8 X 12 +
10390-E10	BURNER SIDE 10BTU W/ELEC #8 +
Y-12220	S/B BUSHING SB 1.375 16 HEY
S15236	ROTISSERIE MOTOR AC 120V
S15263	ROTISSERIE BUSHING
S15299	WASHER COUNTERWEIGHT ROTIS
S15270	ROTISSERIE COUNTERWEIGHT ASSY
S15271	ROTISSERIE HANDLE +
Y-12222	MAGNET - DOOR
10240-20	DOOR PIN TOP
27055-901	GREASE TRAY PORC FORMED 440 +
18431	OEM FLAV R WAVE - BARON
52007-181	COOKING GRID 550 PORC BLK +
S15256	SPIT ROD ROTISSERIE 31 INCH
20005-000	HARDWARE BAG STICK & CHAIN SS
10693-165	ORIFICE SPUD 1.63MM 5/16-32
10693-113	ORIFICE SPUD 1.13MM 5/16 32
10342-T21	ELECTRODE WIRE S/B 35 INCH
57039-901	ROTISSERIE BRACKET BLK
53009-951	SIDE BURNER TRIVET BLK
S15508	REAR BURNER ELECTRODE WIRE +
50502	HEAVY DUTY MEAT FORKS
52924-144R	BURNER - MAIN
10111-K45	HOSE 3/8 INCH ASSEMBLY NG 10 FOOT +
10081-69BM	NAMEPLATE BROILMATE
Y-11990	NUT HEX BRASS 3/8 27 RB LINE
10342-E12	ELECTRODE W/WIRE +
24009-936	HANDLE RING
10342-247	IGNITOR ELECTRONIC +

10472-K431	CONTRL KNOB RESIN LRG BLCK W/SS BA STRIP
21071-13	DOOR HANDLE 500 GPB
22001-168	CONTROL KNOB BEZEL SML
22002-268	CONTROL KNOB BEZEL LARGE
24005-12AB	LID-HANDLE BENT,
52809-957	MANIFOLD - REAR BURNER AB
52005-991	WARMING RACK 440 PORC
21035-991	GREASE RAIL 440/500 SABLE BLK
59005-074	CONTROL ASSY 4V S/B R/B LP +
59005-077	VALVE ASSY 440 S/B R/B NG
21009-951	TANK COLLAR CLAMP 625/750 BLK PULL OUT
27905-354	BURNER TUBE REAR 500 W/WINDSHIELD
51239-901	TANK PREVENTION BRACKET 440 + BLK
51335-211	TOP MAGNET BRACKET 440 BLACK
52009-901	GREASE PAN - BLACK HIGH HEAT PAINT
57139-13	BRACKET U-CHANNEL REAR 330/440/550
10111-15A	HOSE ASSEMBLY SS
10114-16	HOSE & REG ASSY 17 INCH LP +
52904-144NG	BURNER ASSY MAIN SINGLE TUBE + NG
53001-011A	SHELF ASSEMBLY 330/440 RHS + SS FASCIA
10892-286	CASTER 3 INCH W/O LEG LEVEL
51639-908	CASTER BRACKET RESIN BLK AB
27249-904	GREASE SHIELD MODULAR, 6.5 x 6
22025-903	COLLECTOR BOX ASSY 500 430SS

OMC

ASSEMBLY MANUAL & PARTS LIST • MANUEL DE MONTAGE & LISTE DE PIÈCES • MANUAL DE ARMADO Y LISTA DE PARTES



STERLING 565384/87
565344/47

HUNTINGTON 365384/87
365344/47

BROIL-MATE 765384/87
765344/47



STERLING 565284/87

HUNTINGTON 365284/87

BROIL-MATE 765284/87



STERLING 565364/67
565324/27

HUNTINGTON 365364/67
365324/27

BROIL-MATE 765364/67
765324/27



STERLING 565264/67

HUNTINGTON 365264/67

BROIL-MATE 765264/67



STERLING 565354/57

HUNTINGTON 365354/57

BROIL-MATE 765354/57



STERLING 565254/57

HUNTINGTON 365254/57

BROIL-MATE 765254/57



STERLING 565954T/57T

RETAIN FOR FUTURE REFERENCE • VEUILLEZ CONSERVER POUR REFERENCE ULTERIEURE • CONSERVAR PARA FUTURAS CONSULTAS

1-800-265-2150

info@omcbbq.com

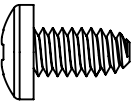
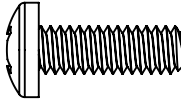
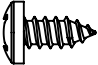
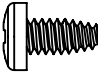
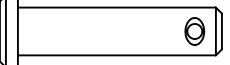

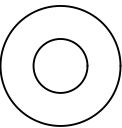
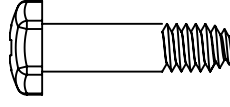
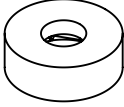
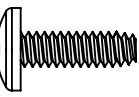

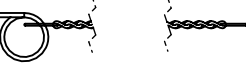
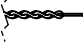
Onward
SINCE 1906
MANUFACTURING COMPANY
1000 EAST MARKET STREET
HUNTINGTON, INDIANA, 46750, USA

50084-E48 Rev C 11/17

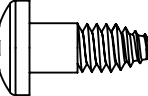
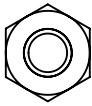
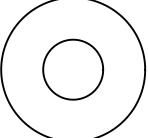


PCËJÖY ÇËJÒÁÐ ÔŠWÖÖÁÄÁT ÇËVÒÜÇSÁÐ ÔŠWÁÄÁKÖÛWÖUÙÁÐ ÔŠWÖÜ

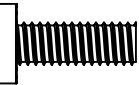
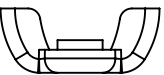


YËGÎÍ  çFI	YËGF€  çÍ Á	ÛGFFG  çì
YËJHÈ  çl	ÛGFHÍ  çG	ÛGFHH  çG
YËGÍÏ  çl	YËFÍÍF  çG	YËFGI  çG
ÙHÍ €J  çF	GÈÈÈÍ ÈÈÈÈ  çF	
YËJH€  çÍ	YËGÍ€  çG	

)*)', (ž*)&, (ž'*)', (ž'*)&, (ž+*)', (ž+*)&, (ž*)'*(ž*)&*(ž'*)'*(ž'*)&*(ž+*)'*(ž+*)&*(ž'*)'

YËFÍÍÍ  çG	YËFÍJÍ  çG	ÛGFÍÍ  çG
---	---	--

)*)', (#, +ž*)&, (#, +ž'*)', (#, +ž'*)&, (#, +ž+*)', (#, +ž+*)&, (#, +

ÙHÍ €JÍ  çG	ÛGFÍF  çG
--	--

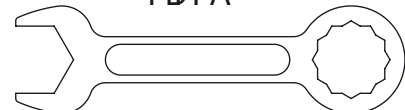
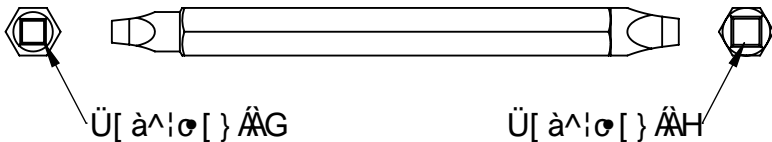


VUUŠUÁÛÖÜWÖÖÁÄÁWŠUÁÐÖÖÜÜÇËÛÖÜÁÄÁPÖÜÜÇÈ ÇÈVÇUÁÐÖÖÜÜÇËÇÈ

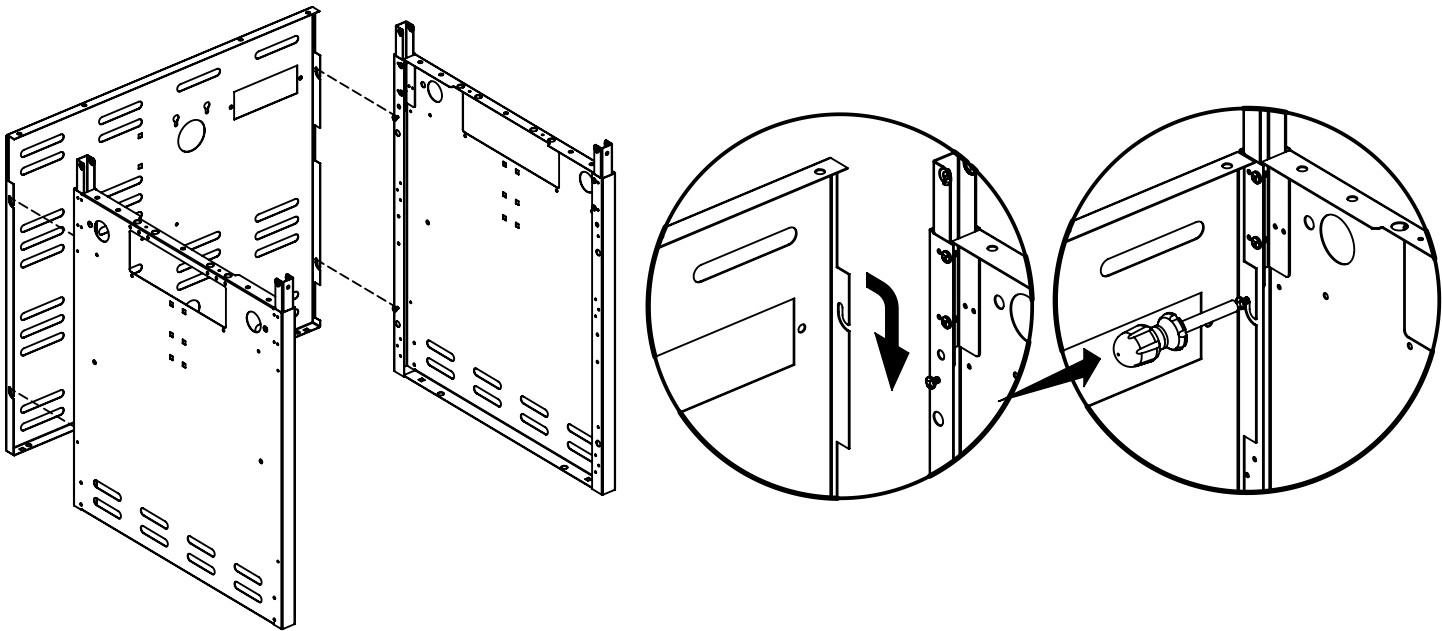


YËFGGH

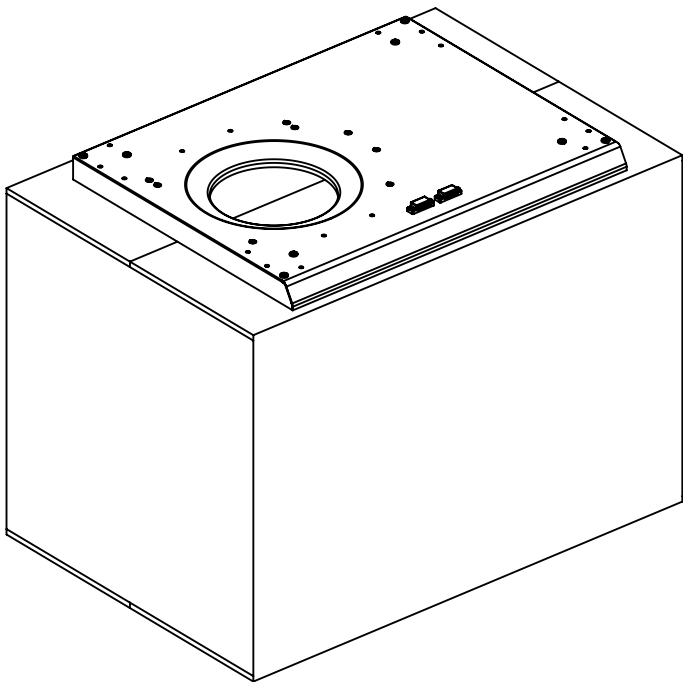
ÏËÄ

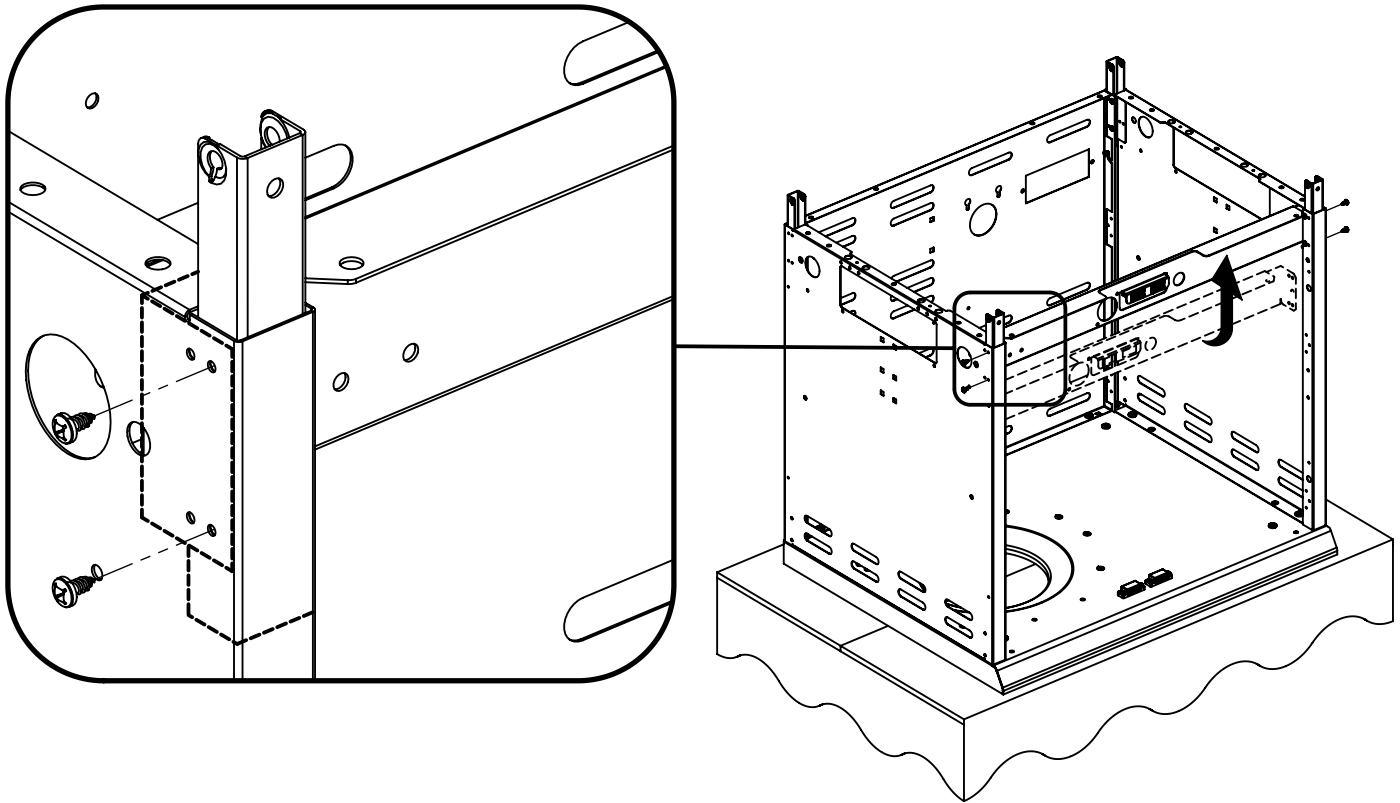
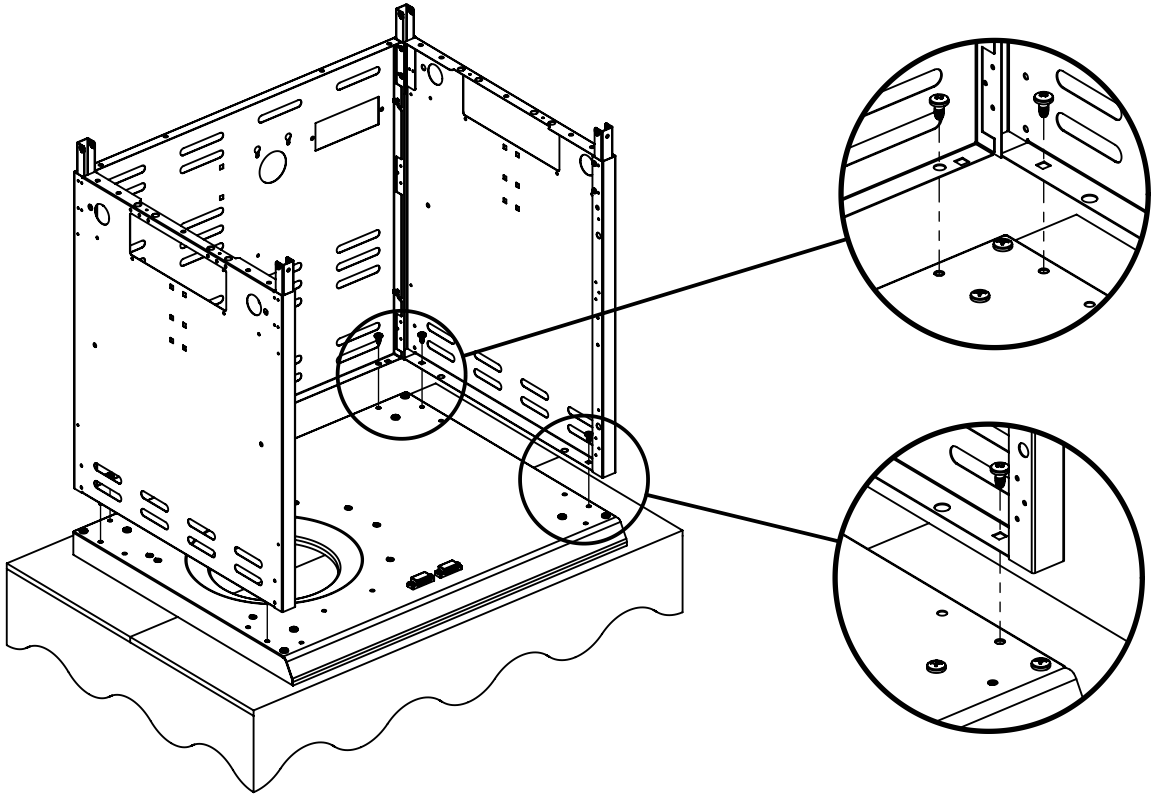


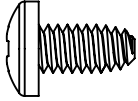
%	
---	--

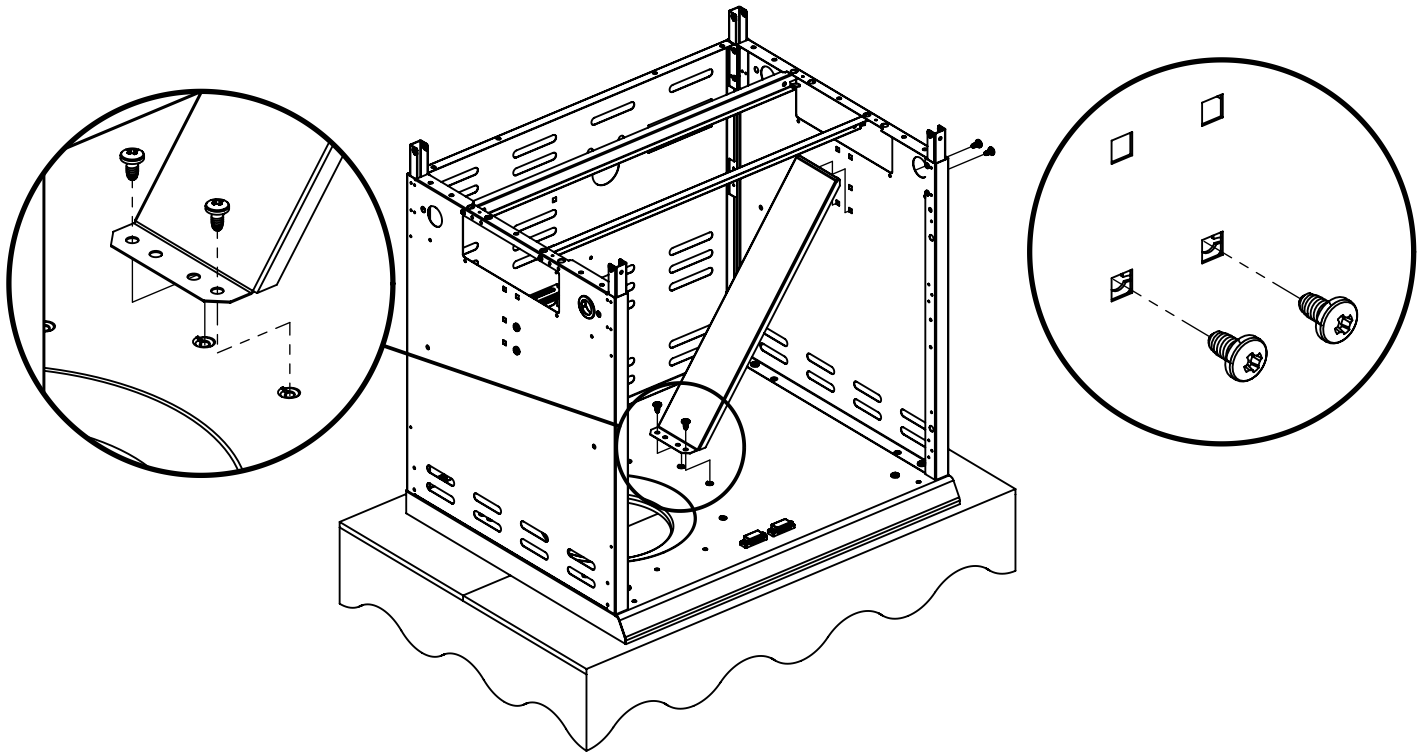


&	
---	--

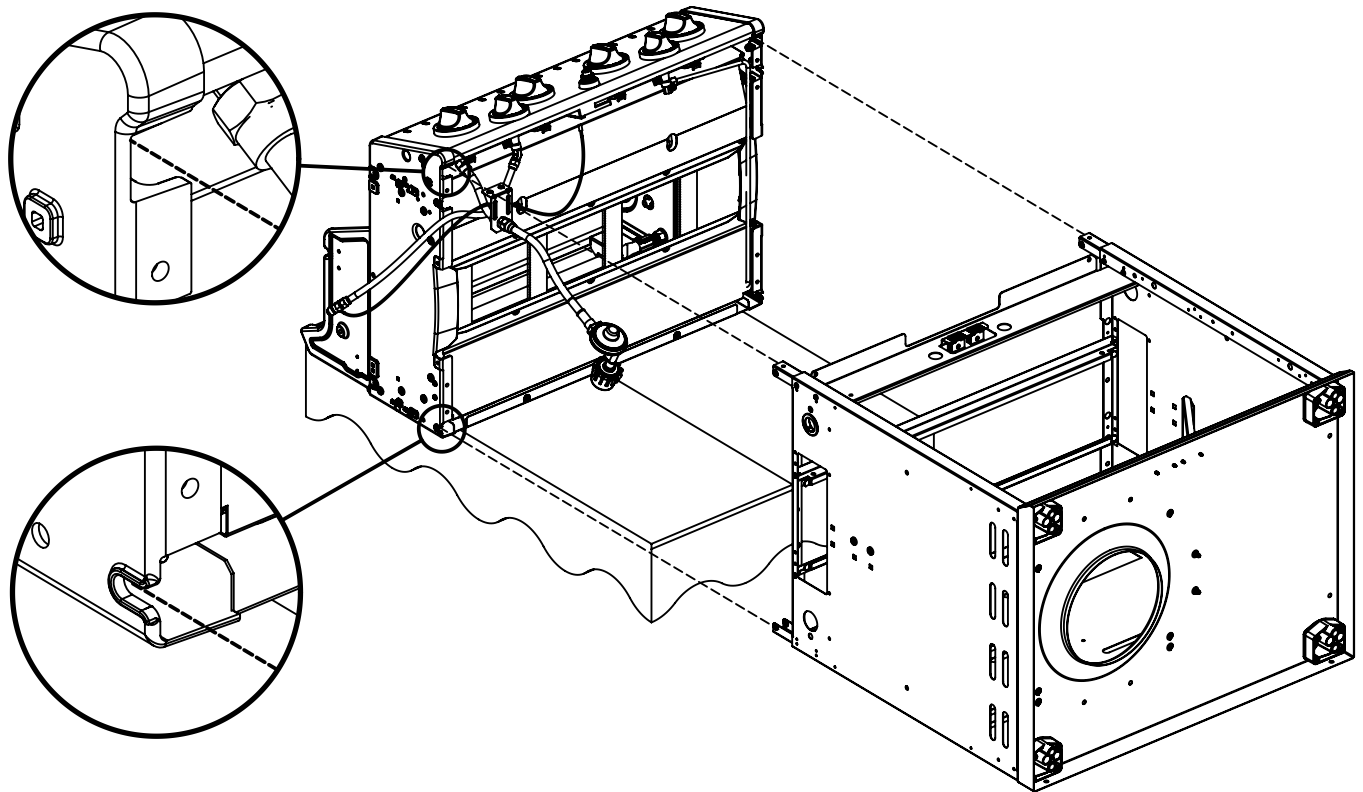


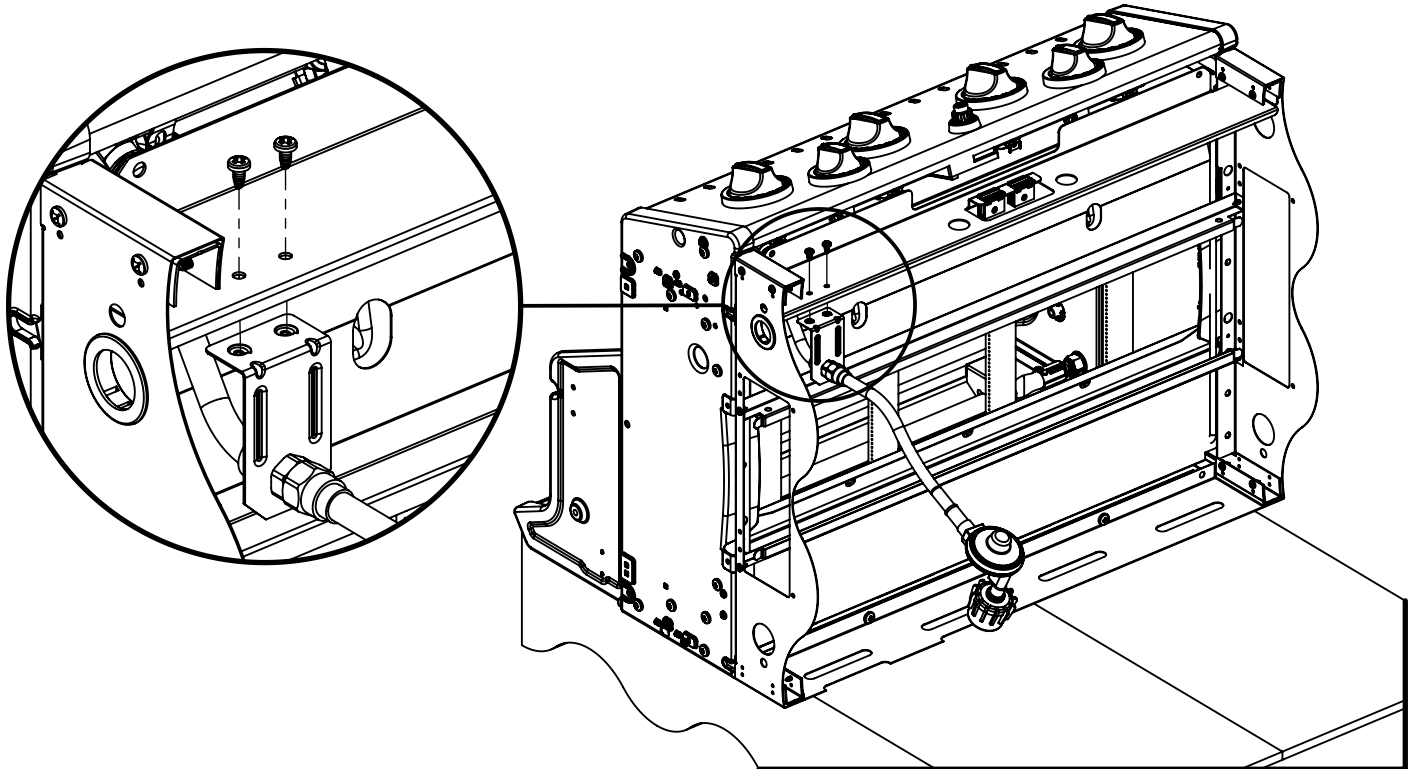
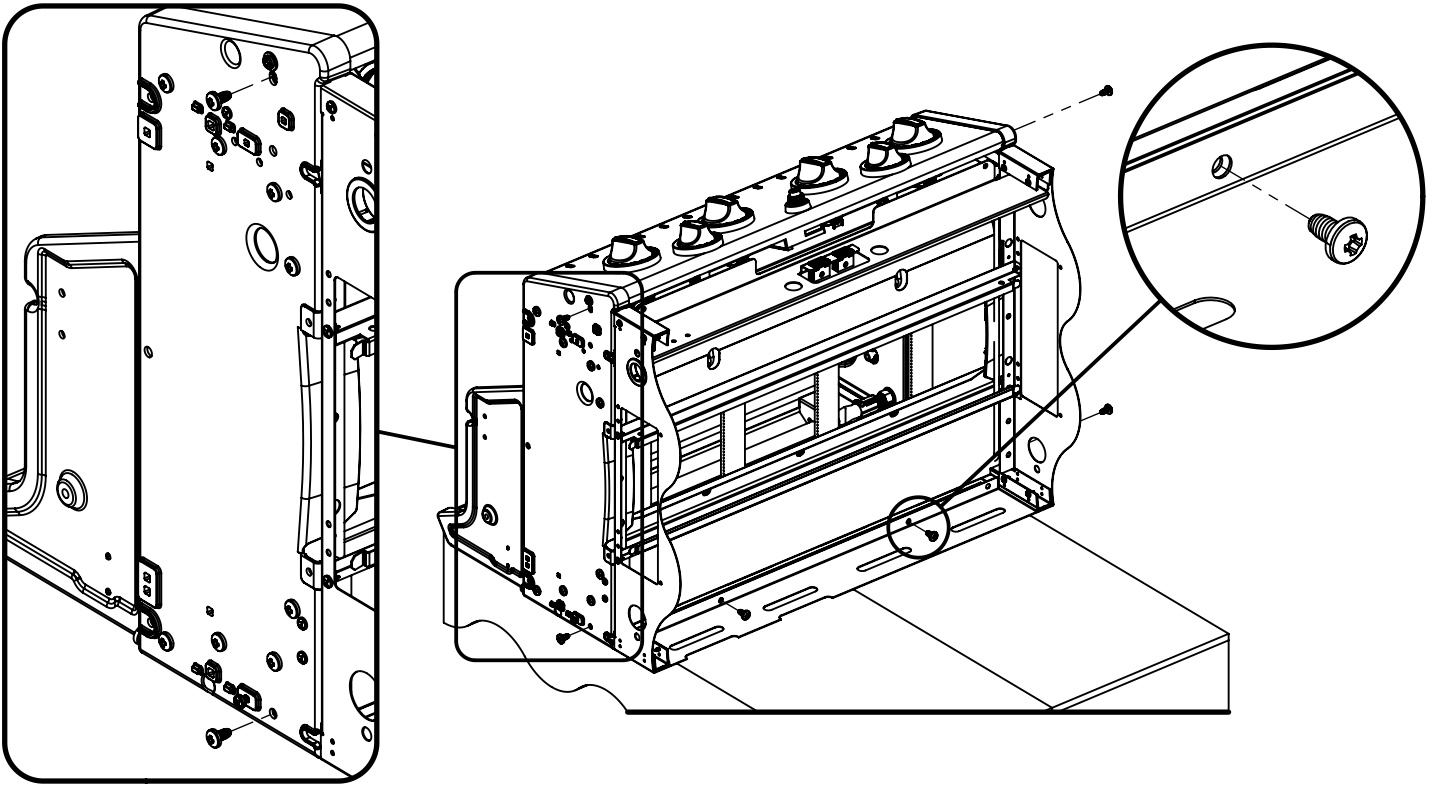
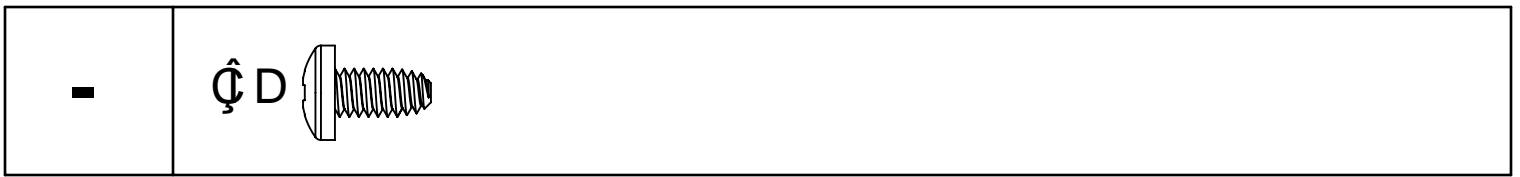


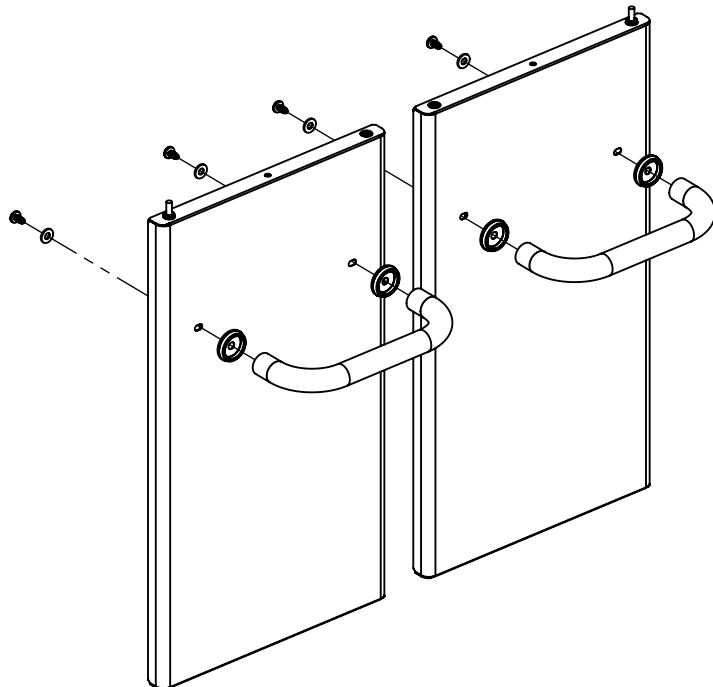
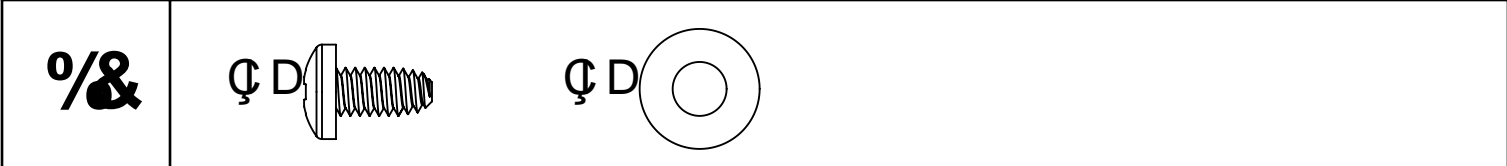
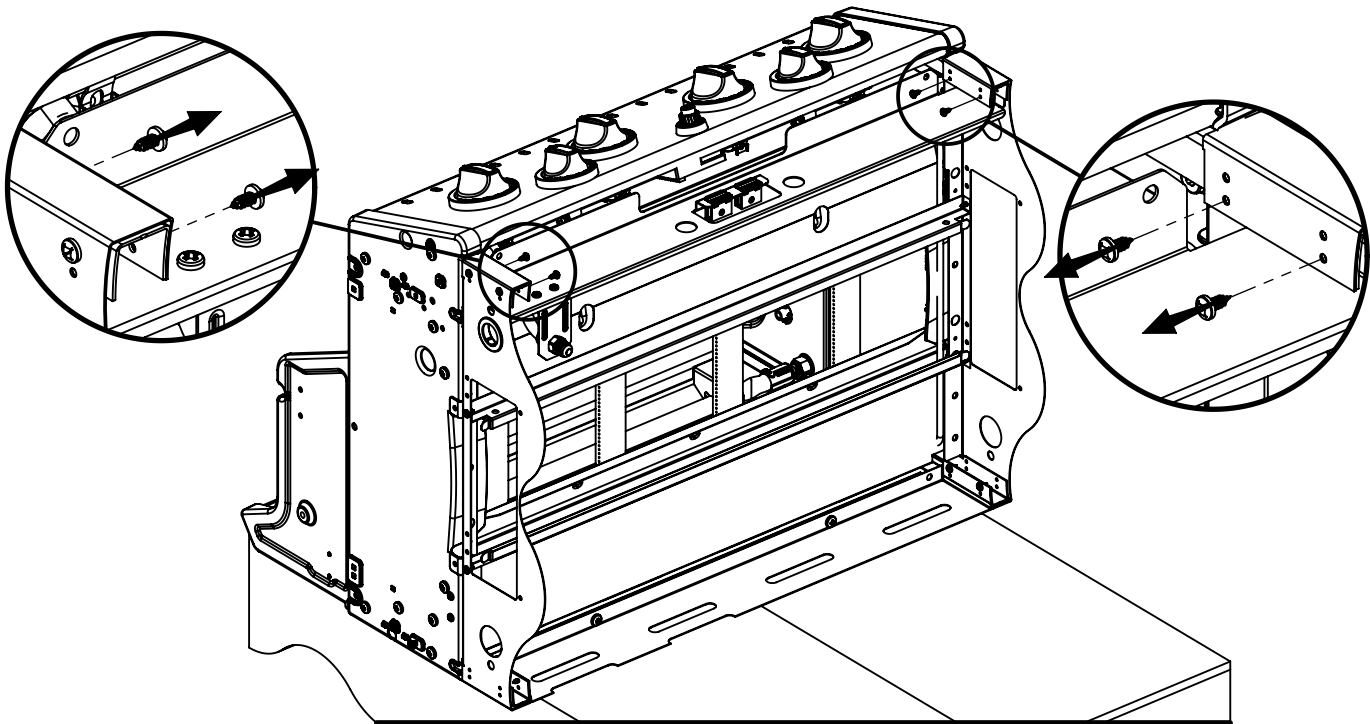
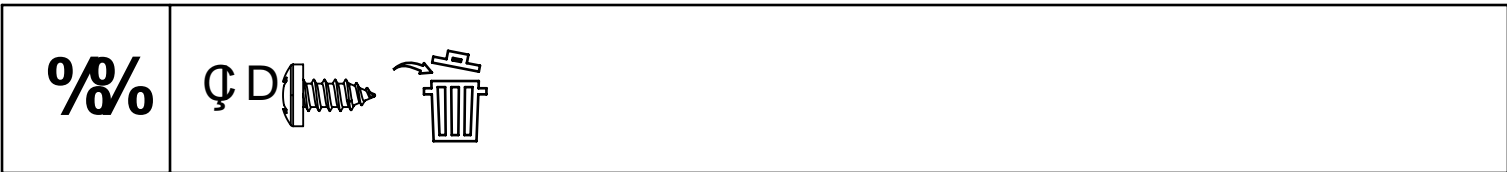
+	Ç D 
---	---

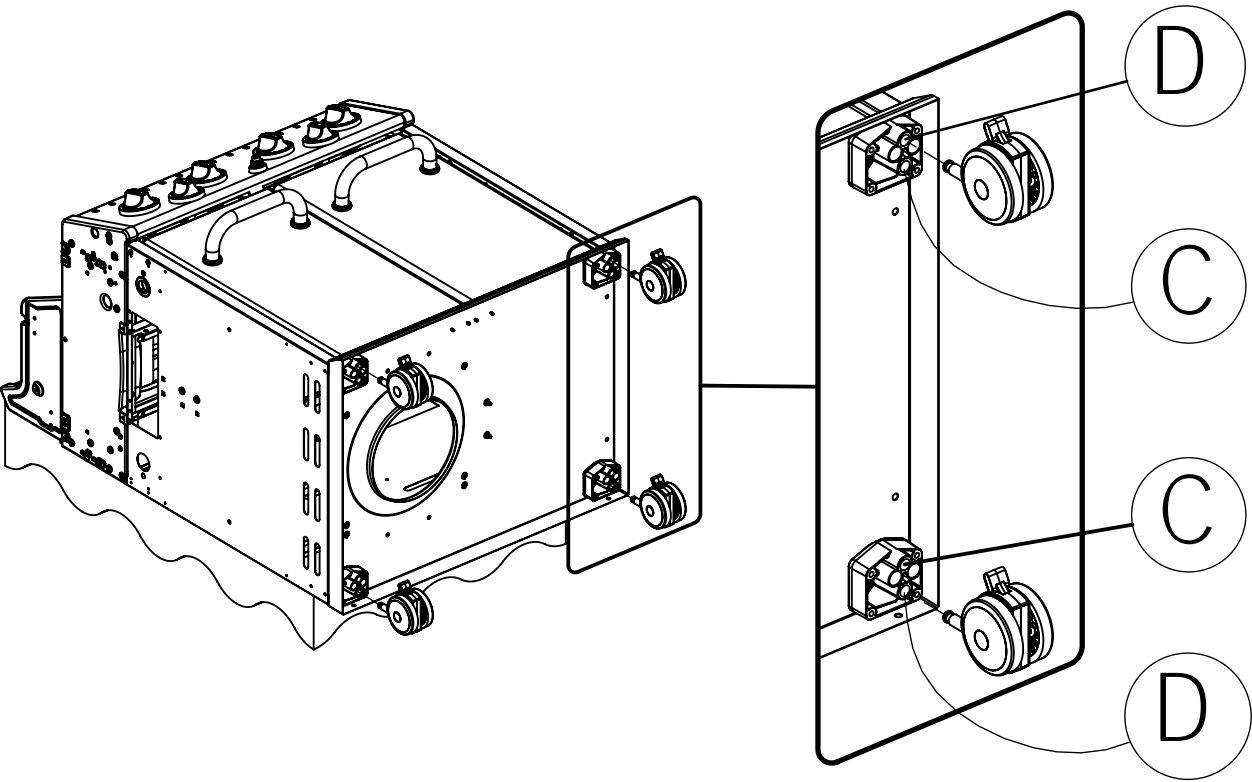
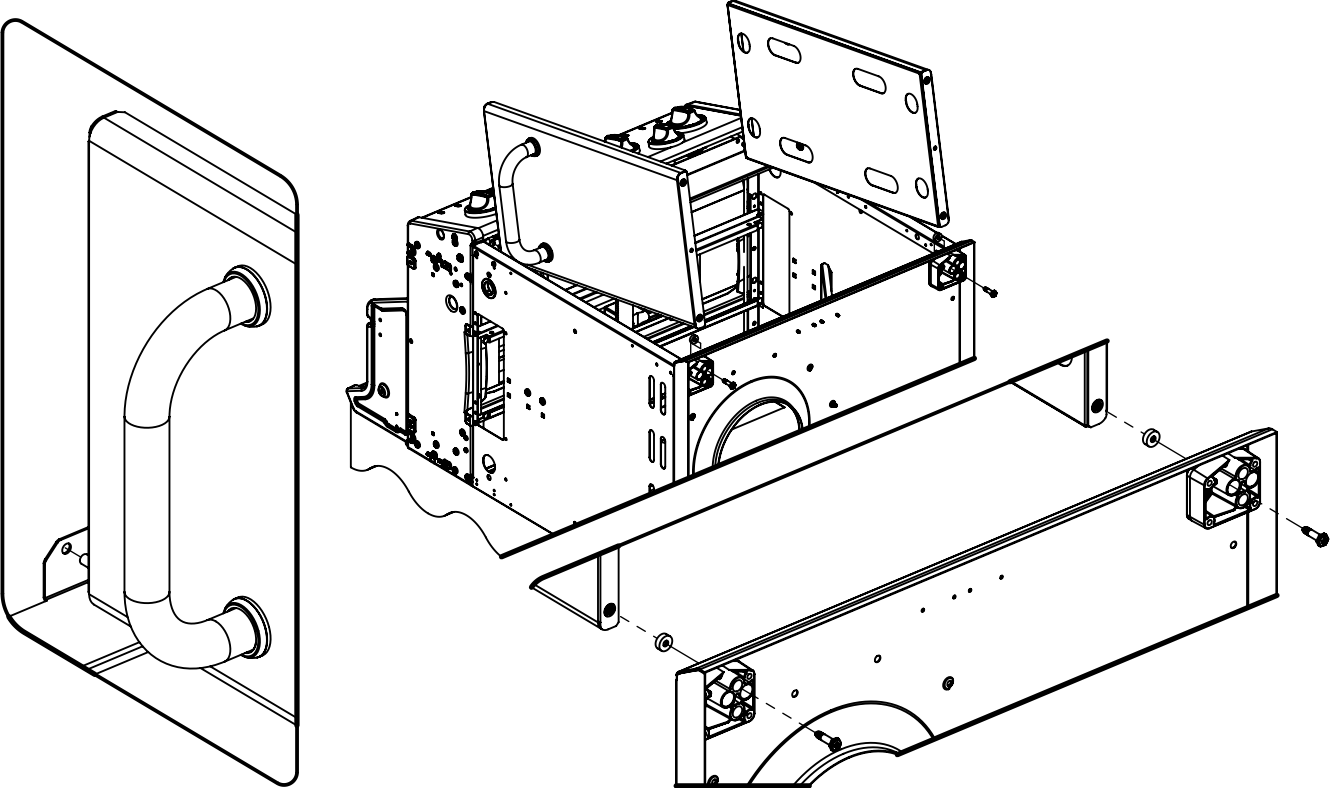
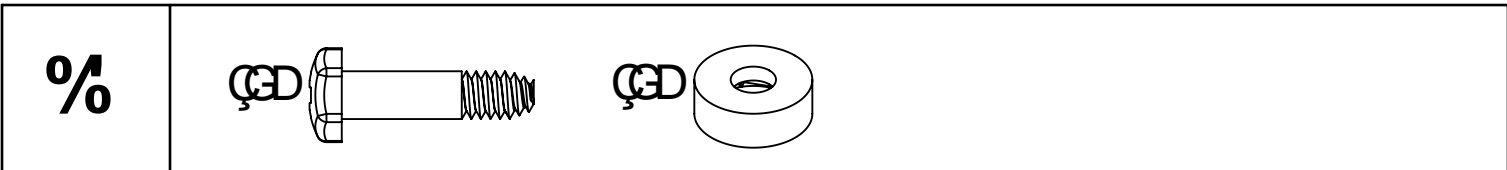


,	
---	--

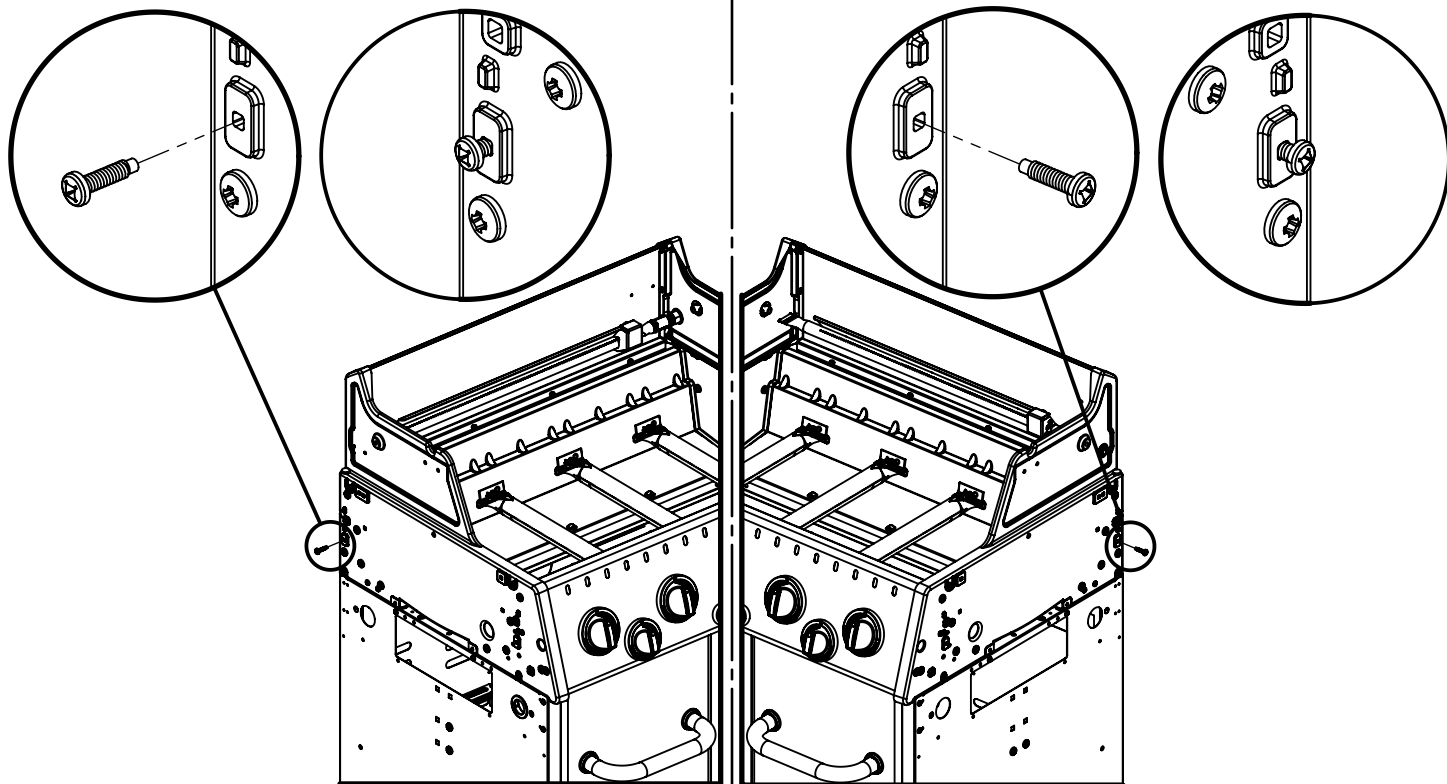
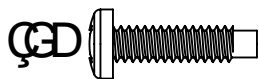




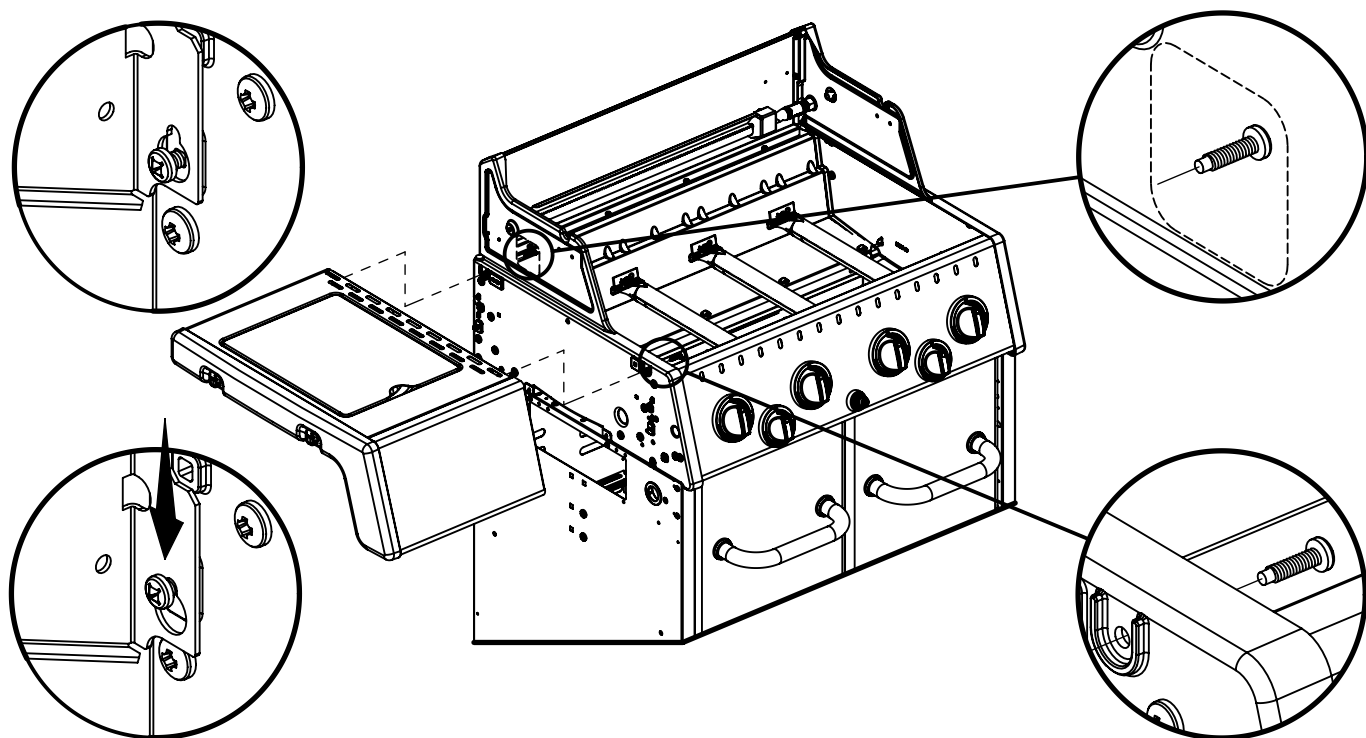
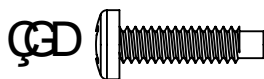


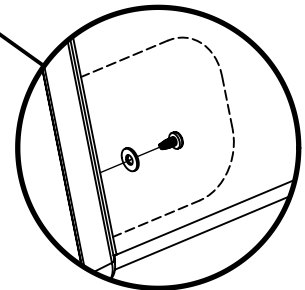
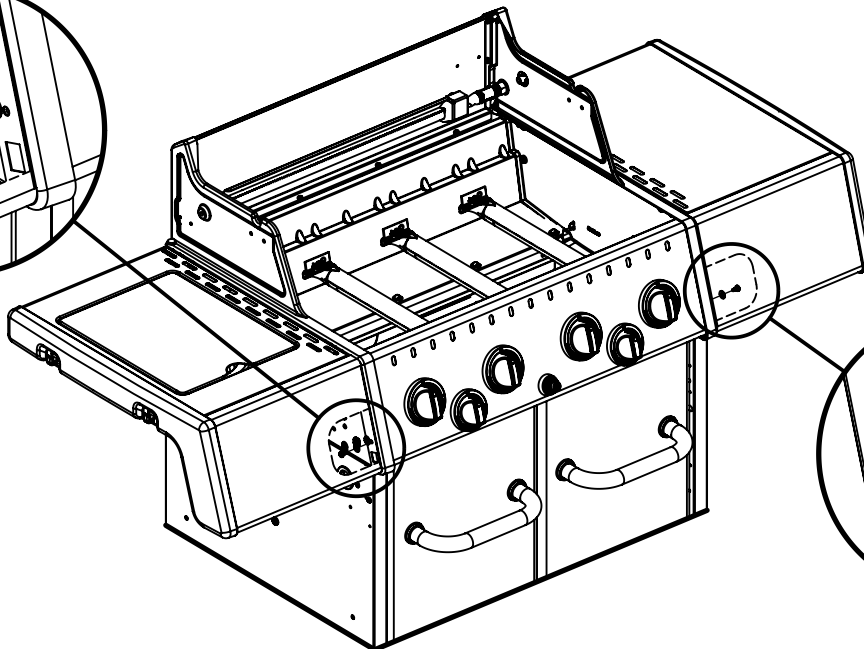
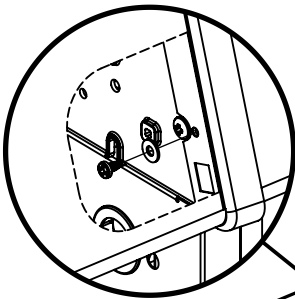
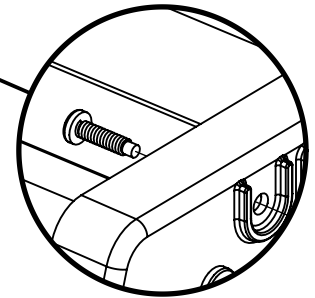
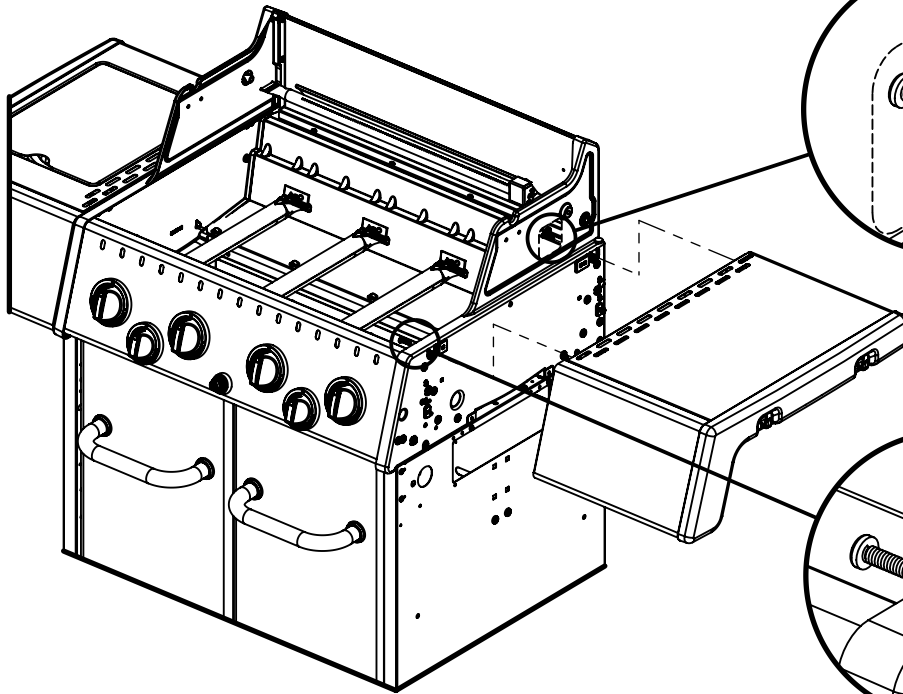
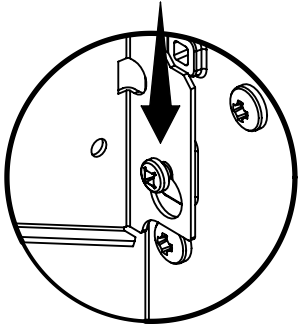
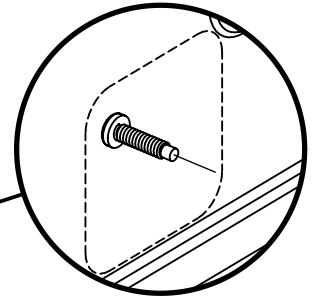
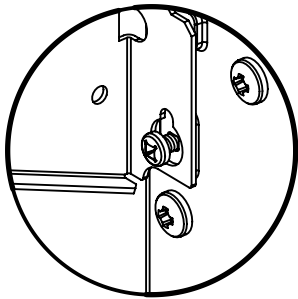
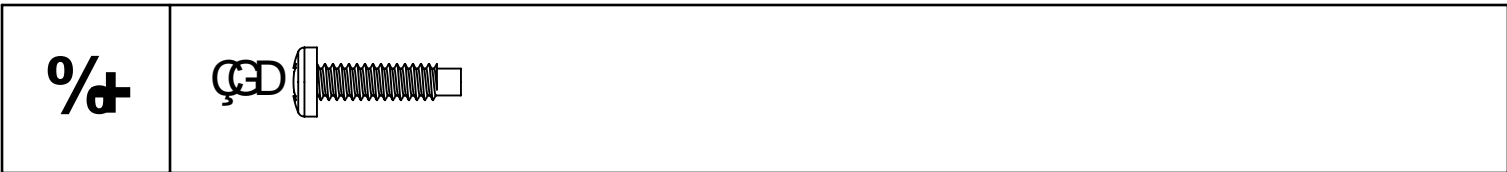


0/4

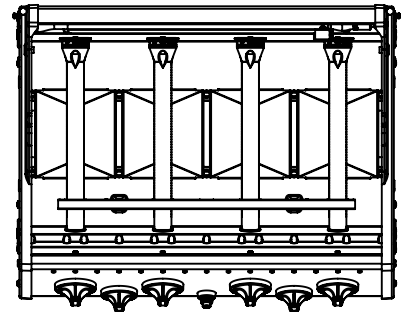
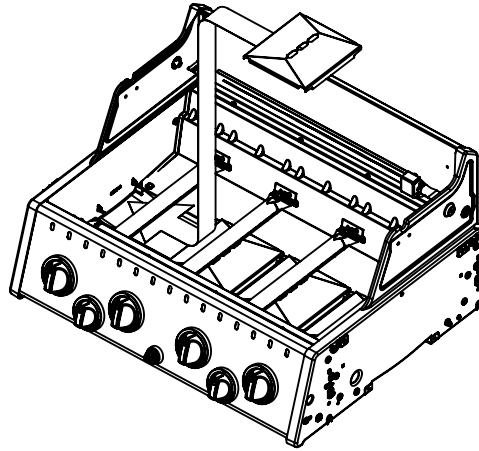
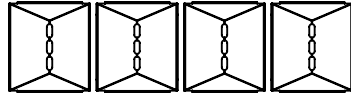
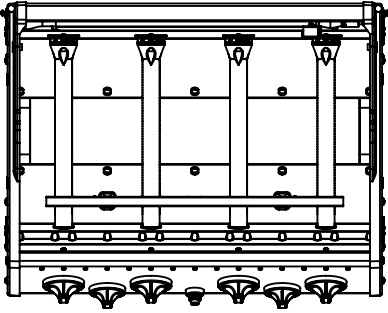


0/*

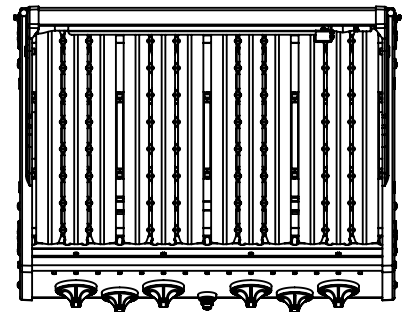
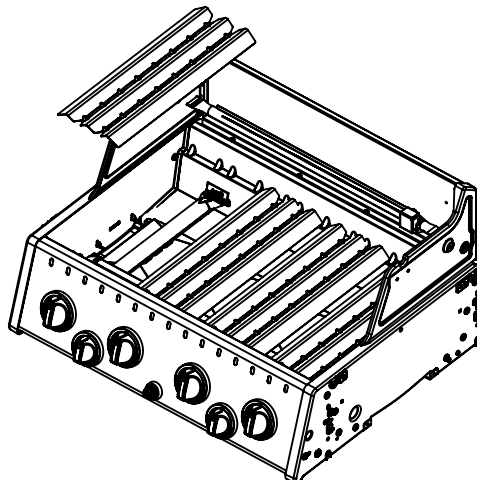
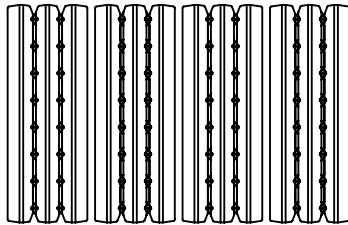
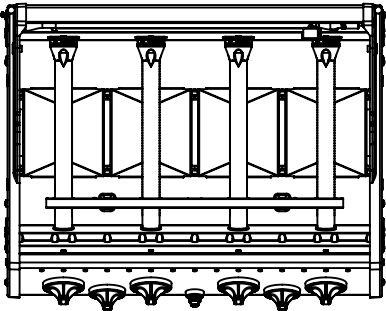




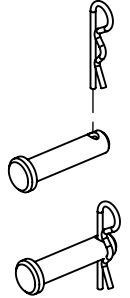
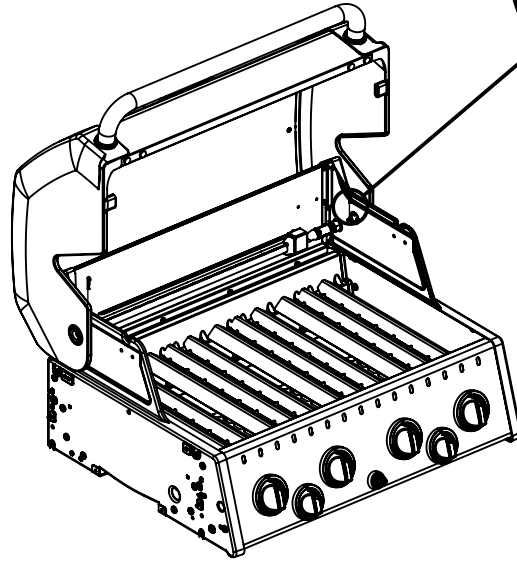
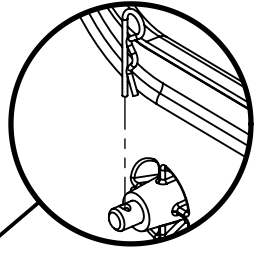
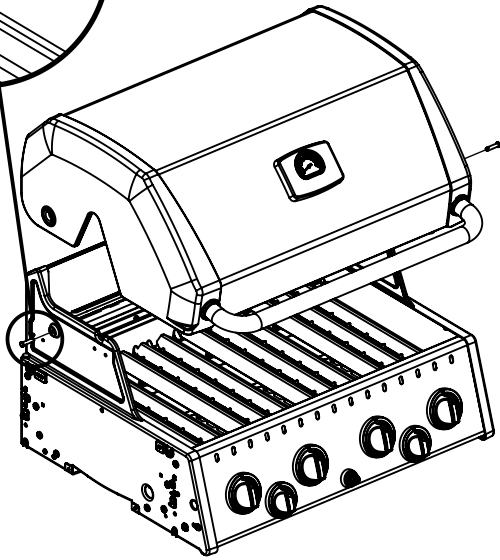
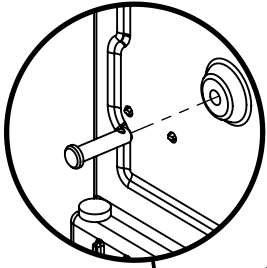
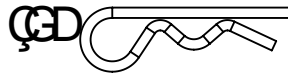
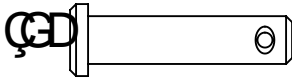
&\$



&%



&&



&

