

This Owner's Manual is provided and hosted by [Appliance Factory Parts](#).



Broil-Mate 765364 Owner's Manual

[Shop genuine replacement parts for Broil-Mate 765364](#)



[Find Your Broil-Mate Grill Parts - Select From 682 Models](#)

----- Manual continues below part list -----

Available Replacement Parts for Broil-Mate 765364

18013	LARGE PROBE HEAT INDICATOR
S21124	SCREW PHCP #8 X 12 +
10390-E10	BURNER SIDE 10BTU W/ELEC #8 +
Y-12220	S/B BUSHING SB 1.375 16 HEY
10342-246	IGNITOR ELECTRONIC TRIPLE +
Y-12222	MAGNET - DOOR
10240-20	DOOR PIN TOP
27055-901	GREASE TRAY PORC FORMED 440 +
59005-034	CONTROL ASSY 4V S/B LP
59005-037	CONTROL ASSY 4V S/B NG
18431	OEM FLAV R WAVE - BARON
52007-181	COOKING GRID 550 PORC BLK +
20005-000	HARDWARE BAG STICK & CHAIN SS
10342-T21	ELECTRODE WIRE S/B 35 INCH
53009-951	SIDE BURNER TRIVET BLK
52924-144R	BURNER - MAIN
10111-K45	HOSE 3/8 INCH ASSEMBLY NG 10 FOOT +
10081-69BM	NAMEPLATE BROILMATE
10342-E12	ELECTRODE W/WIRE +
24009-936	HANDLE RING
10472-K431	CONTRL KNOB RESIN LRG BLCK W/SS BA STRIP
21071-13	DOOR HANDLE 500 GPB
22001-168	CONTROL KNOB BEZEL SML
22002-268	CONTROL KNOB BEZEL LARGE
24005-12AB	LID-HANDLE BENT,
52005-991	WARMING RACK 440 PORC
21035-991	GREASE RAIL 440/500 SABLE BLK
21009-951	TANK COLLAR CLAMP 625/750 BLK PULL OUT
51239-901	TANK PREVENTION BRACKET 440 + BLK
51335-211	TOP MAGNET BRACKET 440 BLACK

52009-901	GREASE PAN - BLACK HIGH HEAT PAINT
57139-13	BRACKET U-CHANNEL REAR 330/440/550
10111-15A	HOSE ASSEMBLY SS
10114-16	HOSE & REG ASSY 17 INCH LP +
52904-144NG	BURNER ASSY MAIN SINGLE TUBE + NG
53001-011A	SHELF ASSEMBLY 330/440 RHS + SS FASCIA
10892-286	CASTER 3 INCH W/O LEG LEVEL
51639-908	CASTER BRACKET RESIN BLK AB
27249-904	GREASE SHIELD MODULAR, 6.5 x 6
22025-903	COLLECTOR BOX ASSY 500 430SS

OMC

ASSEMBLY MANUAL & PARTS LIST • MANUEL DE MONTAGE & LISTE DE PIÈCES • MANUAL DE ARMADO Y LISTA DE PARTES



STERLING 565384/87
565344/47

HUNTINGTON 365384/87
365344/47

BROIL-MATE 765384/87
765344/47



STERLING 565284/87

HUNTINGTON 365284/87

BROIL-MATE 765284/87



STERLING 565364/67
565324/27

HUNTINGTON 365364/67
365324/27

BROIL-MATE 765364/67
765324/27



STERLING 565264/67

HUNTINGTON 365264/67

BROIL-MATE 765264/67



STERLING 565354/57

HUNTINGTON 365354/57

BROIL-MATE 765354/57



STERLING 565254/57

HUNTINGTON 365254/57

BROIL-MATE 765254/57



STERLING 565954T/57T

RETAIN FOR FUTURE REFERENCE • VEUILLEZ CONSERVER POUR REFERENCE ULTERIEURE • CONSERVAR PARA FUTURAS CONSULTAS

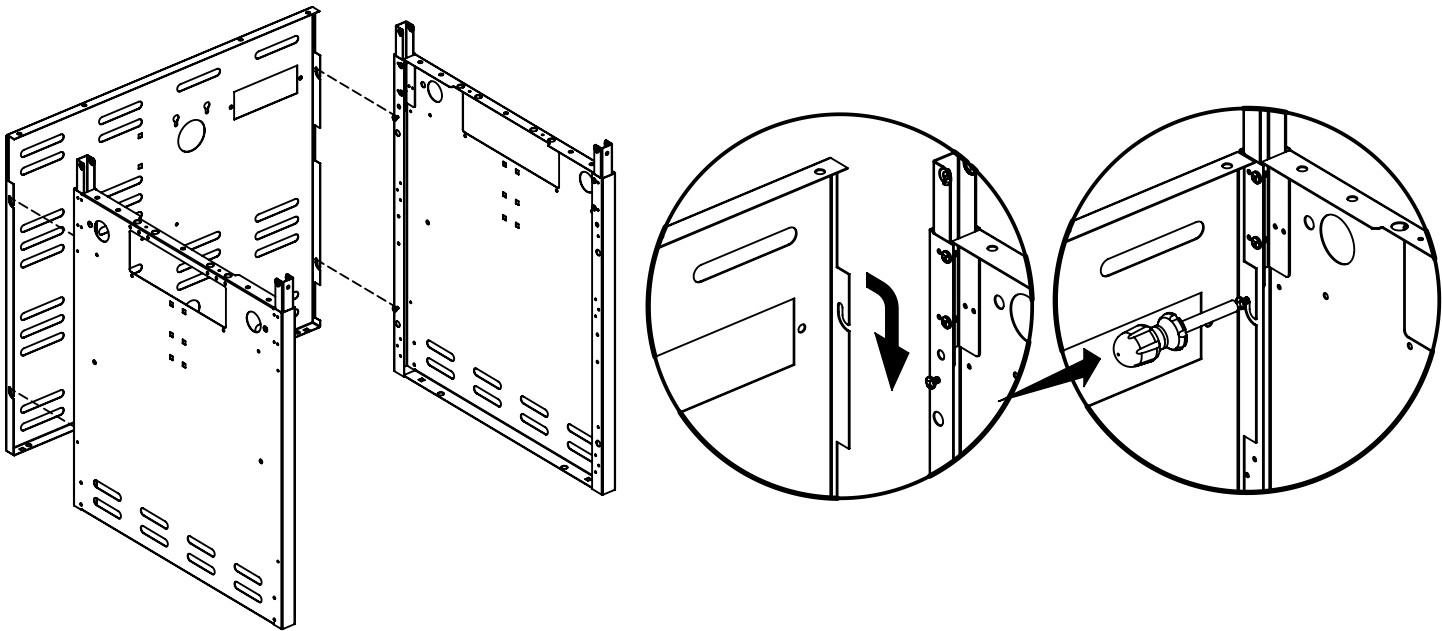
1-800-265-2150

info@omcbbq.com

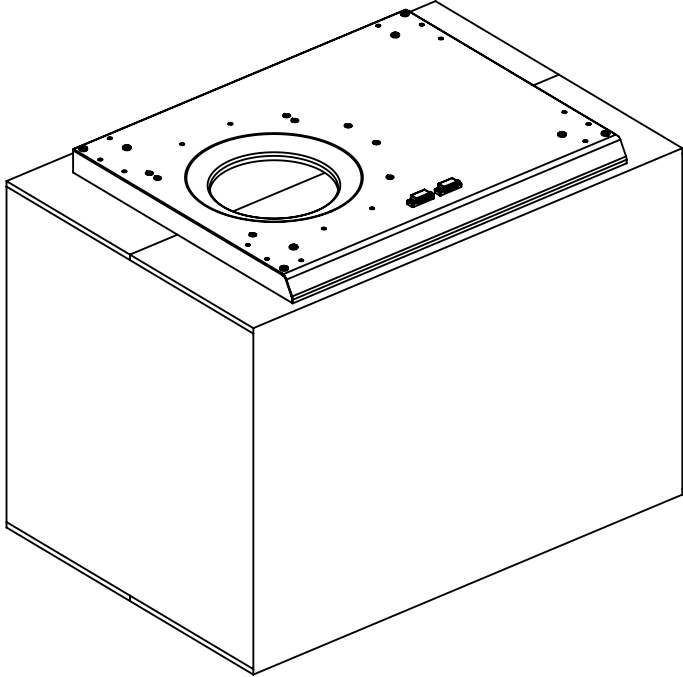
Onward
SINCE 1906
MANUFACTURING COMPANY
1000 EAST MARKET STREET
HUNTINGTON, INDIANA, 46750, USA

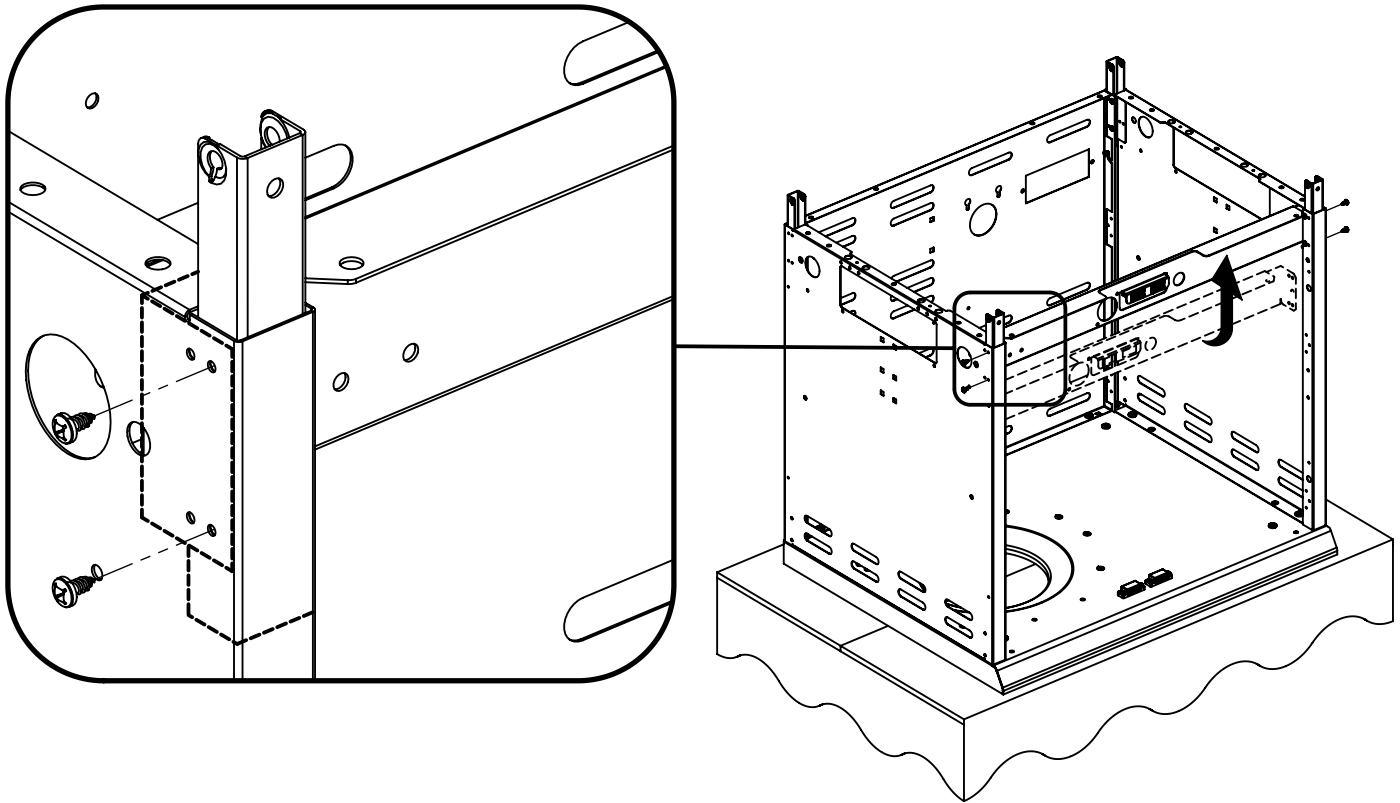
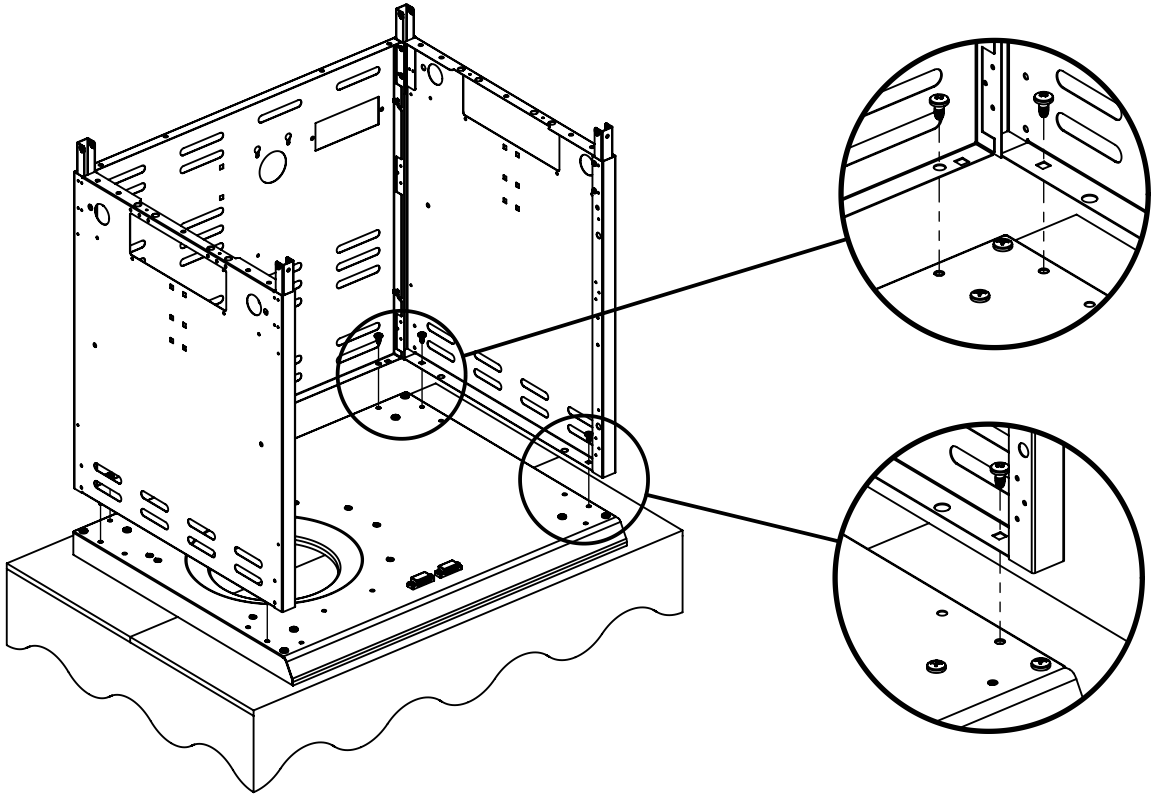
50084-E48 Rev C 11/17

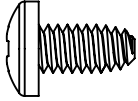
%

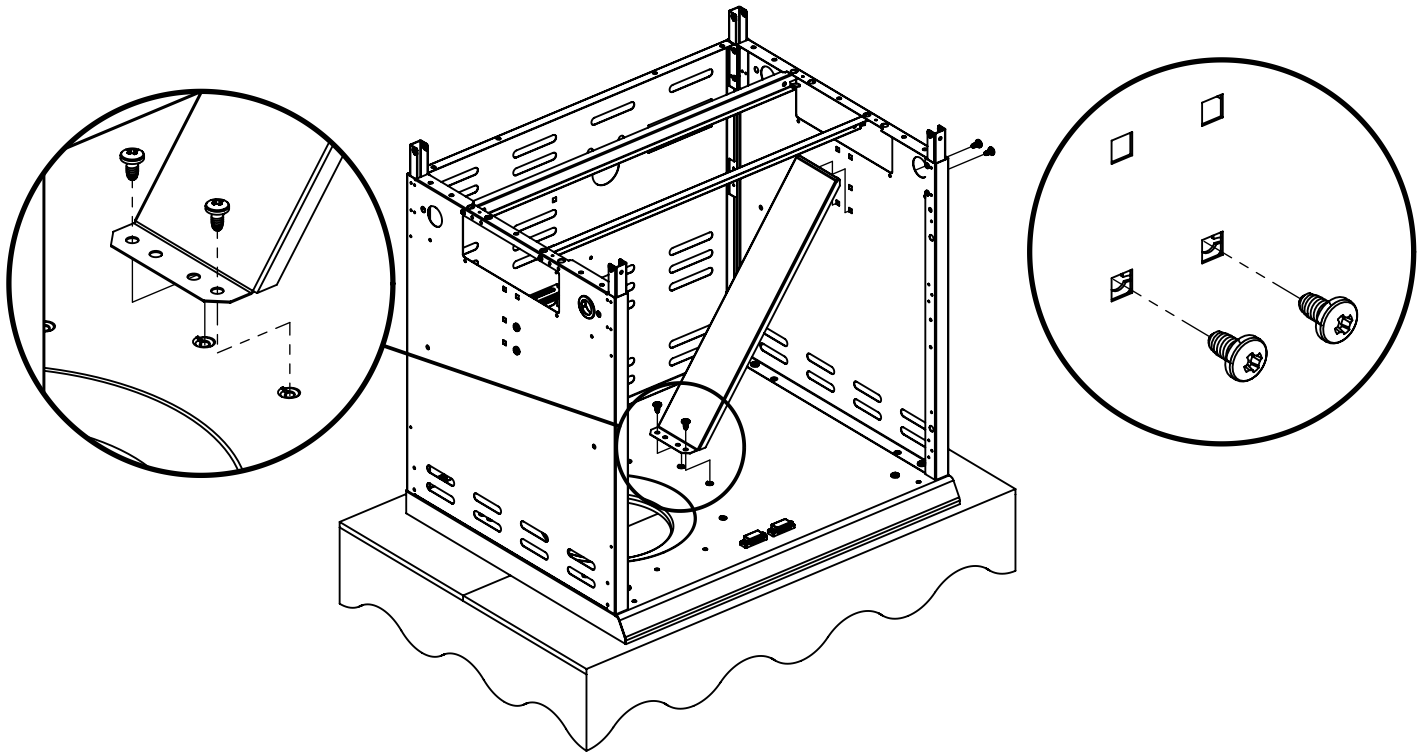


&

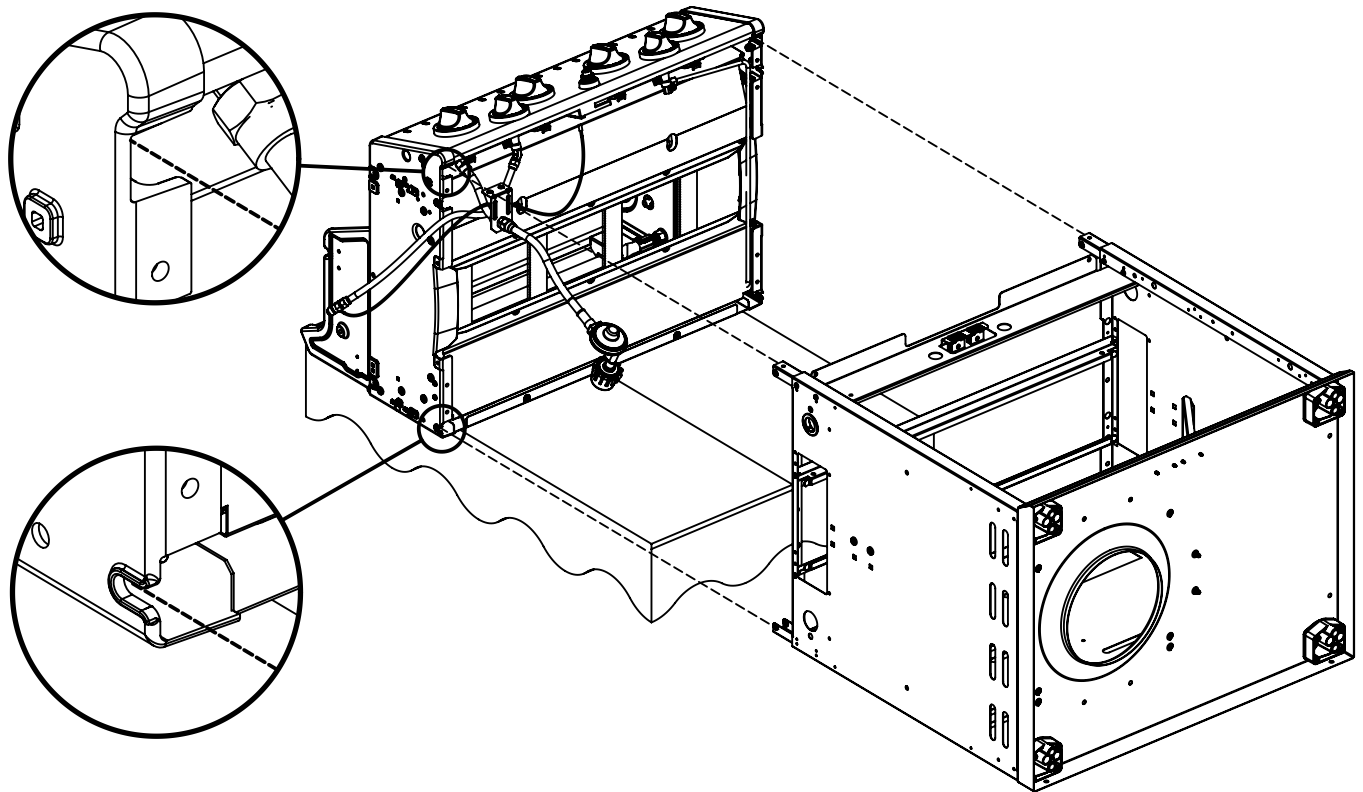


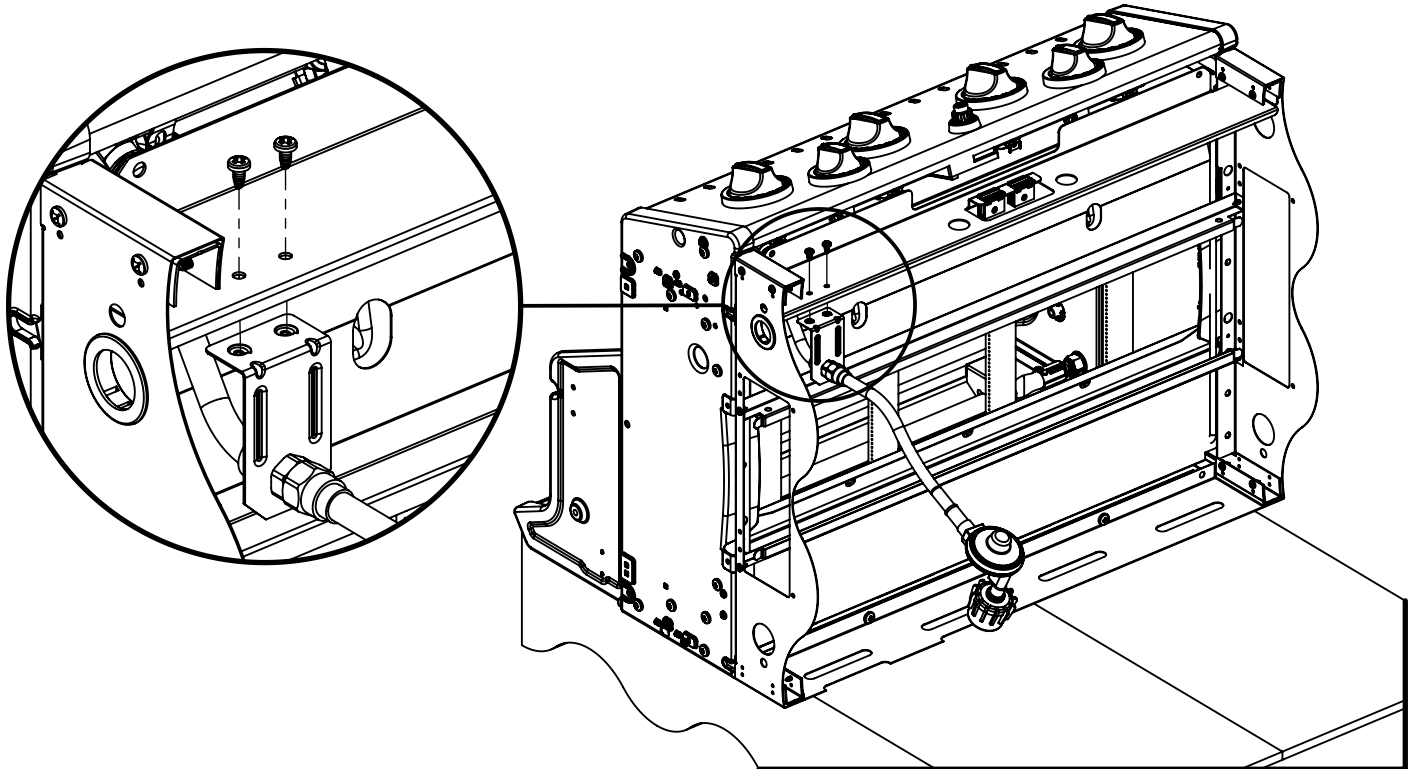
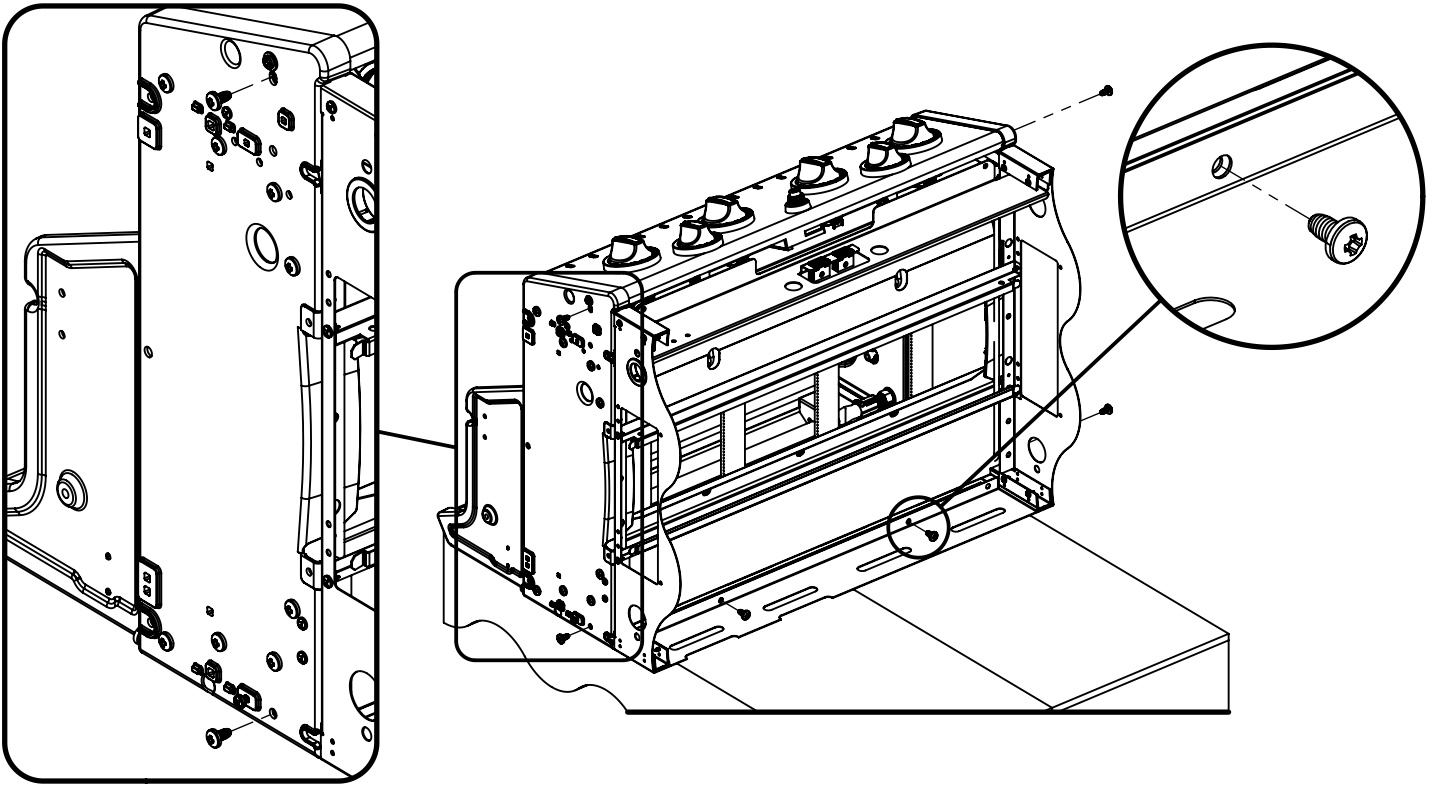
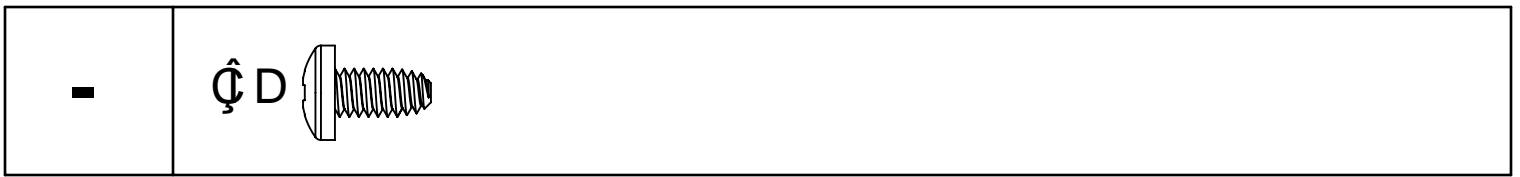


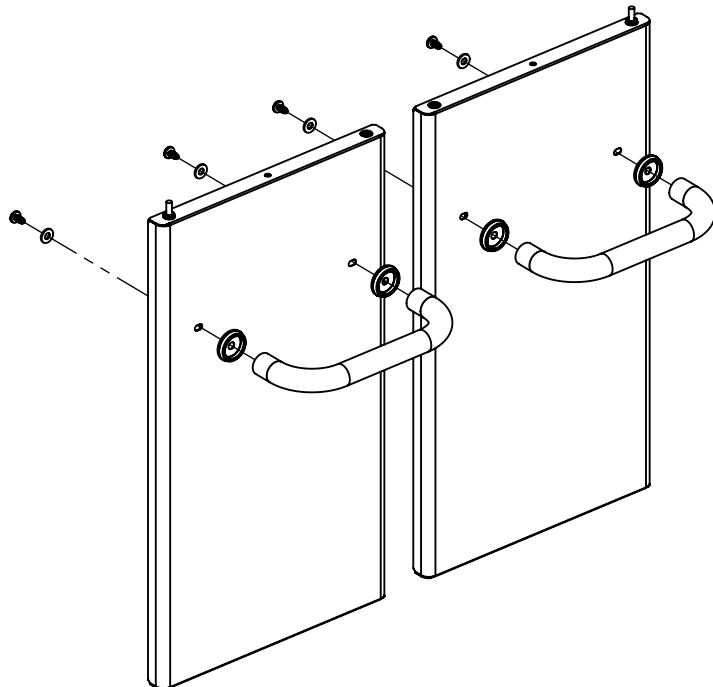
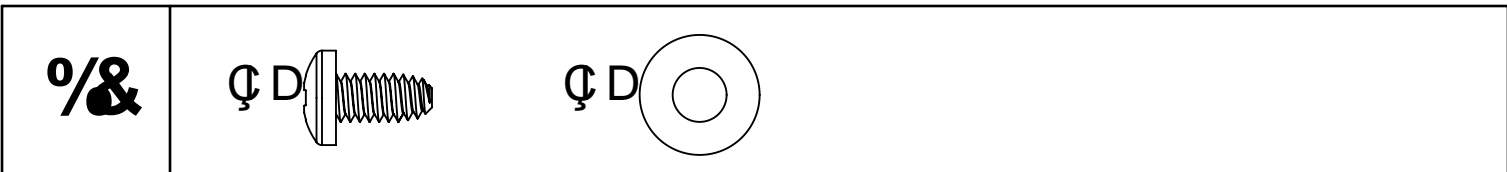
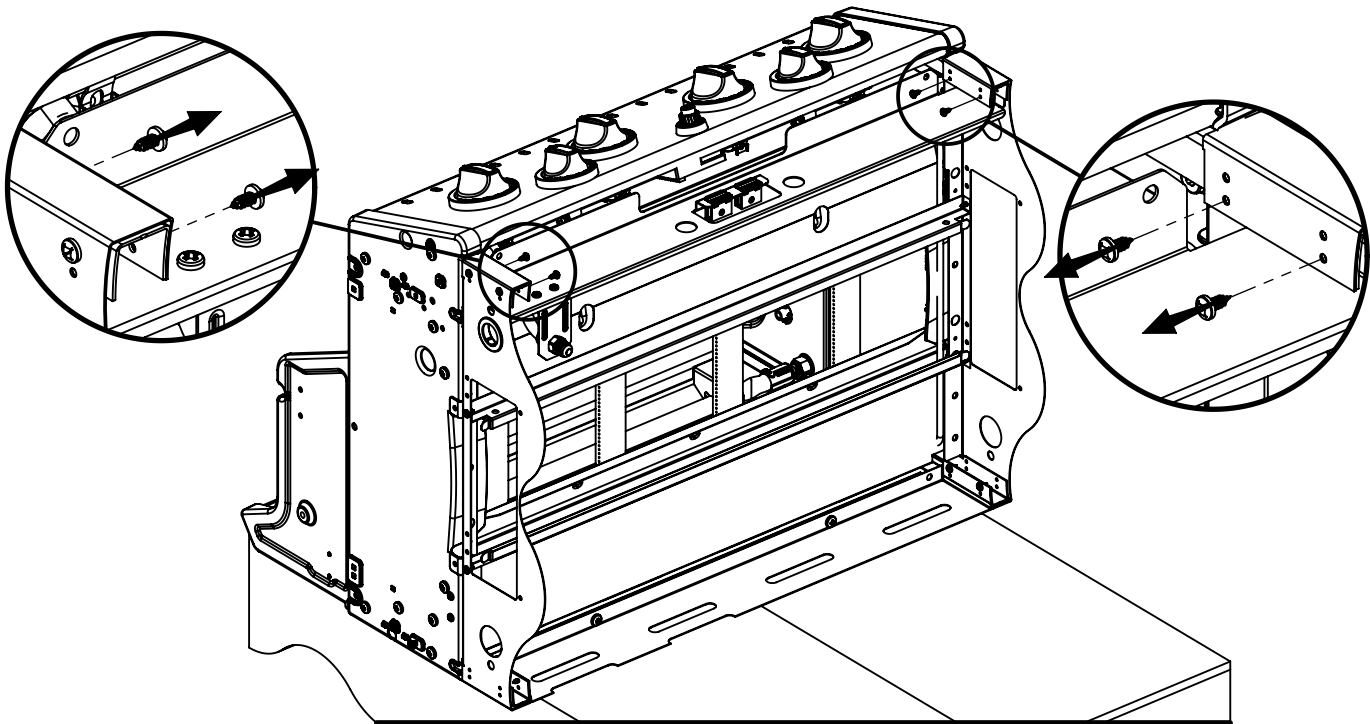
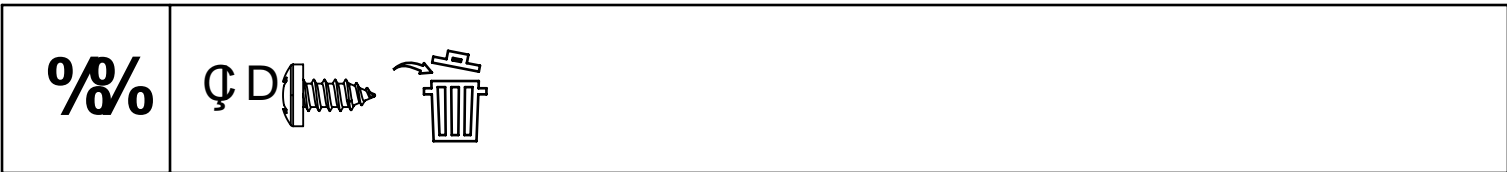
+	Ç D 
---	---

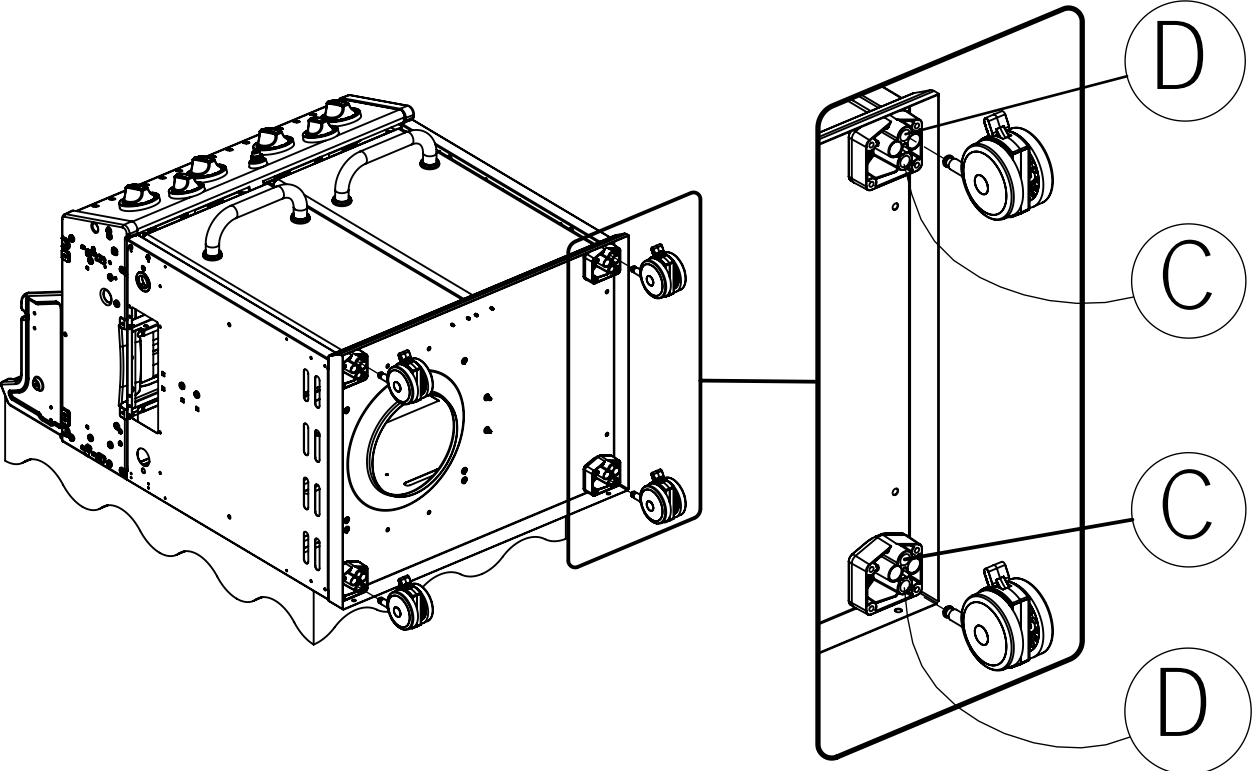
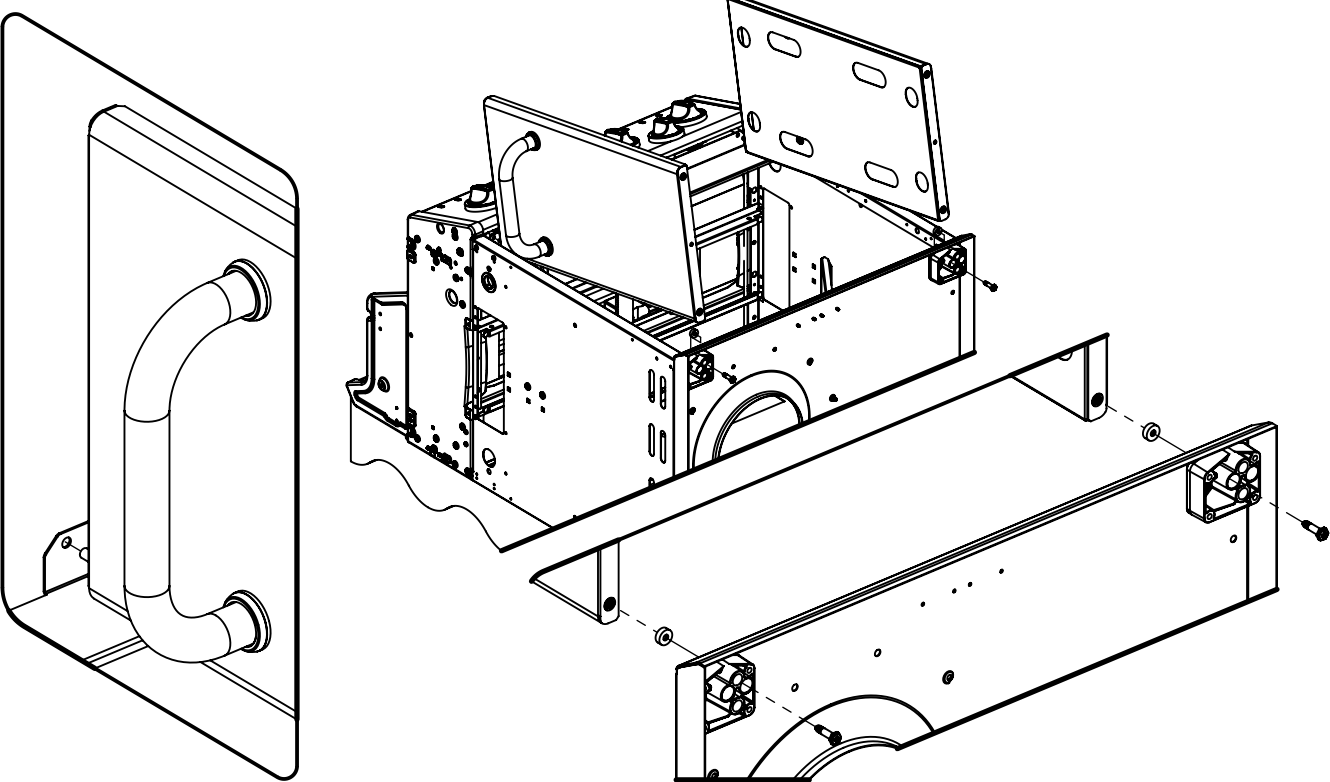
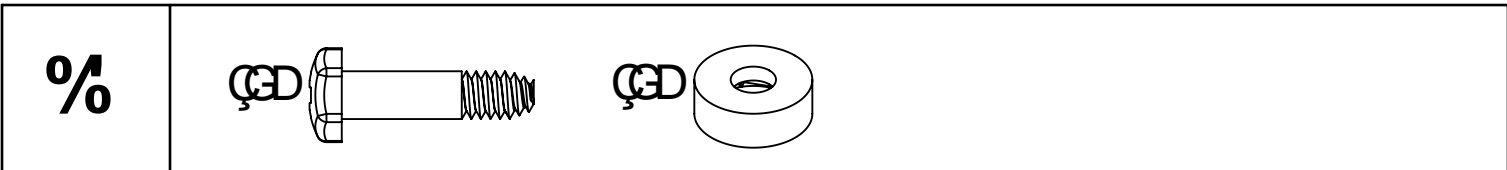


,	
---	--

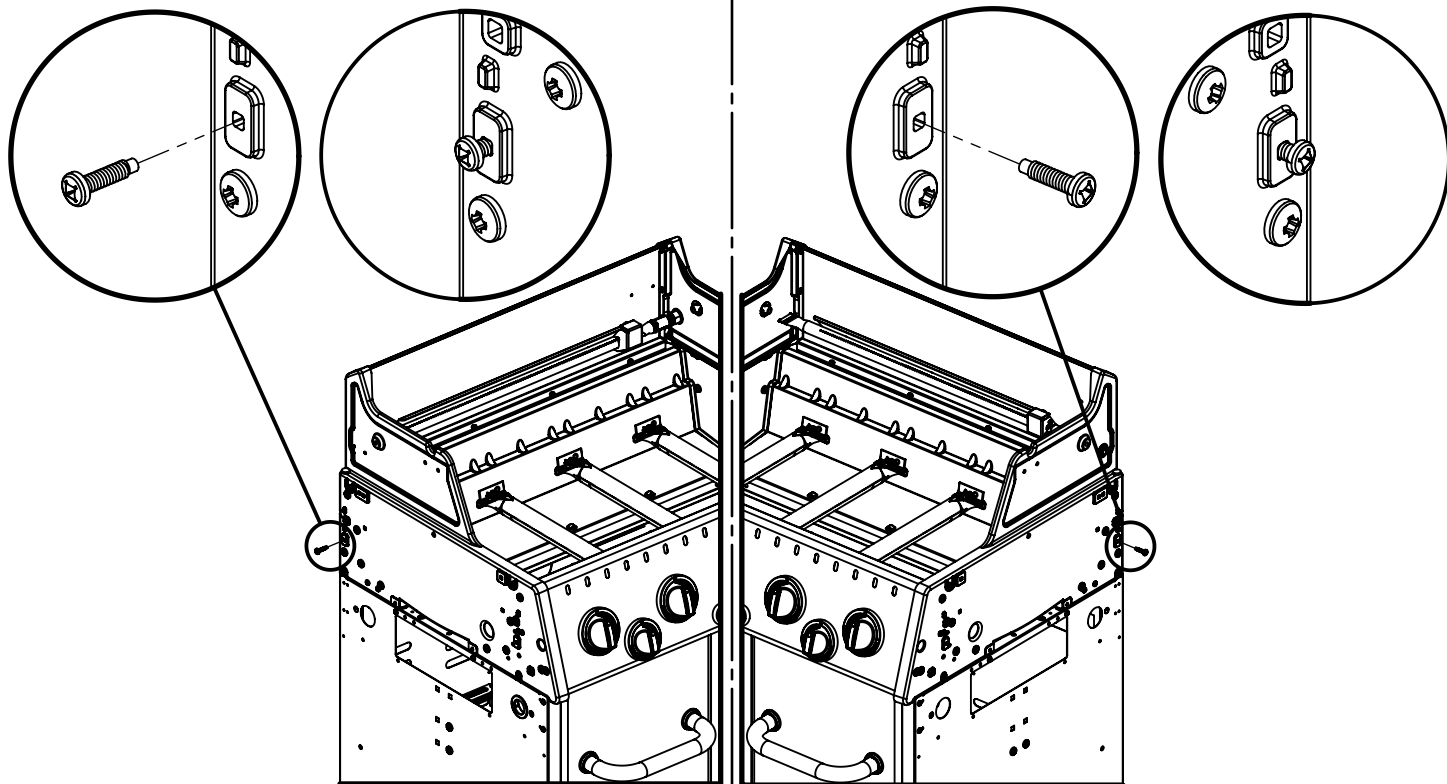
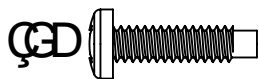




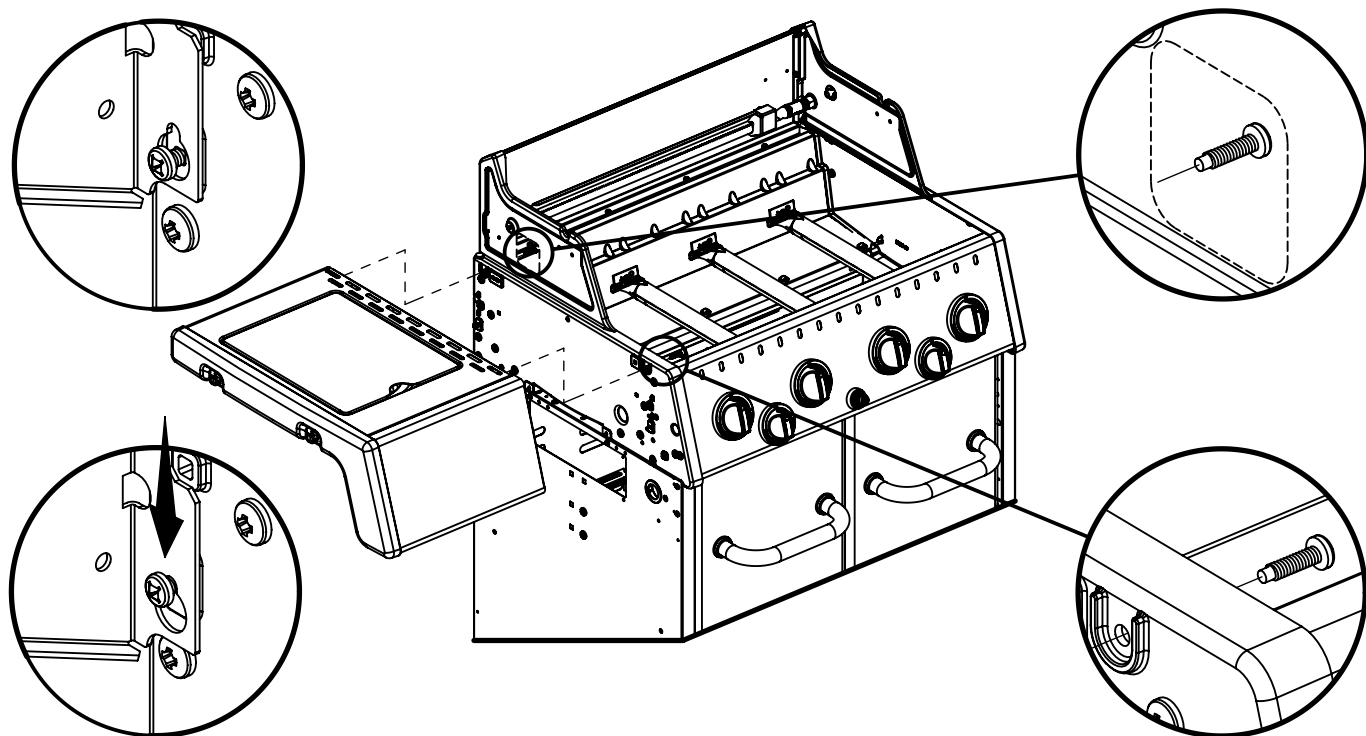
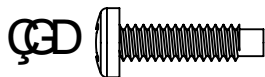


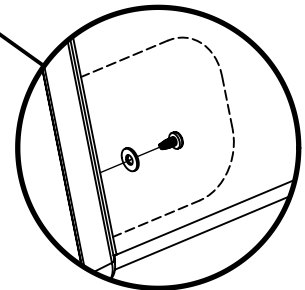
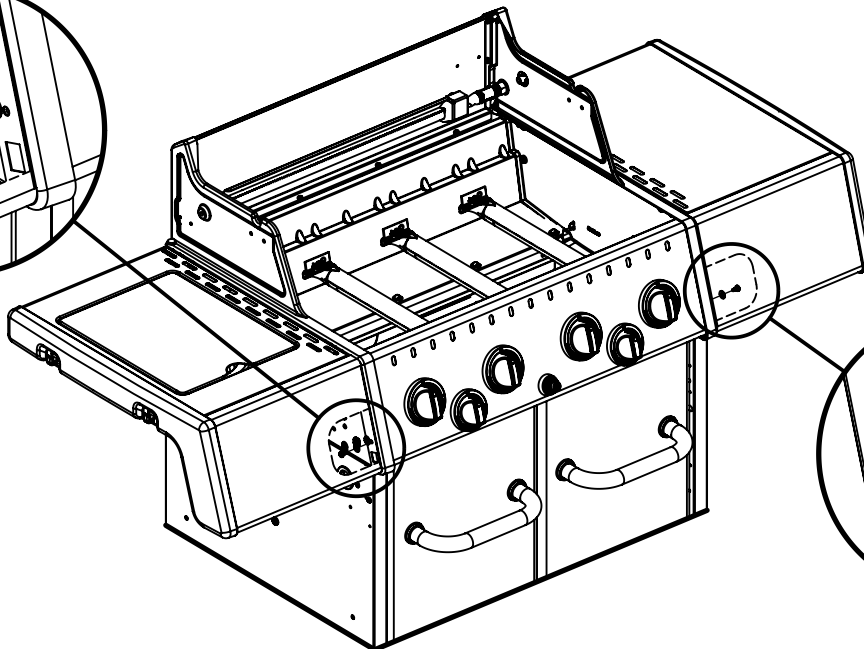
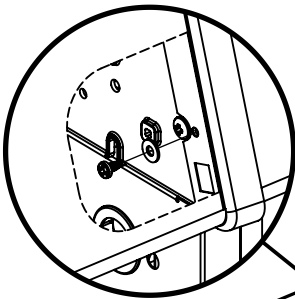
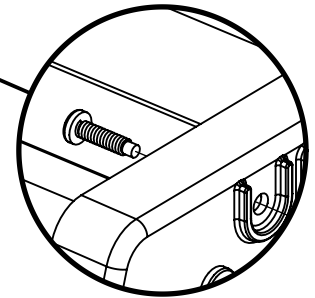
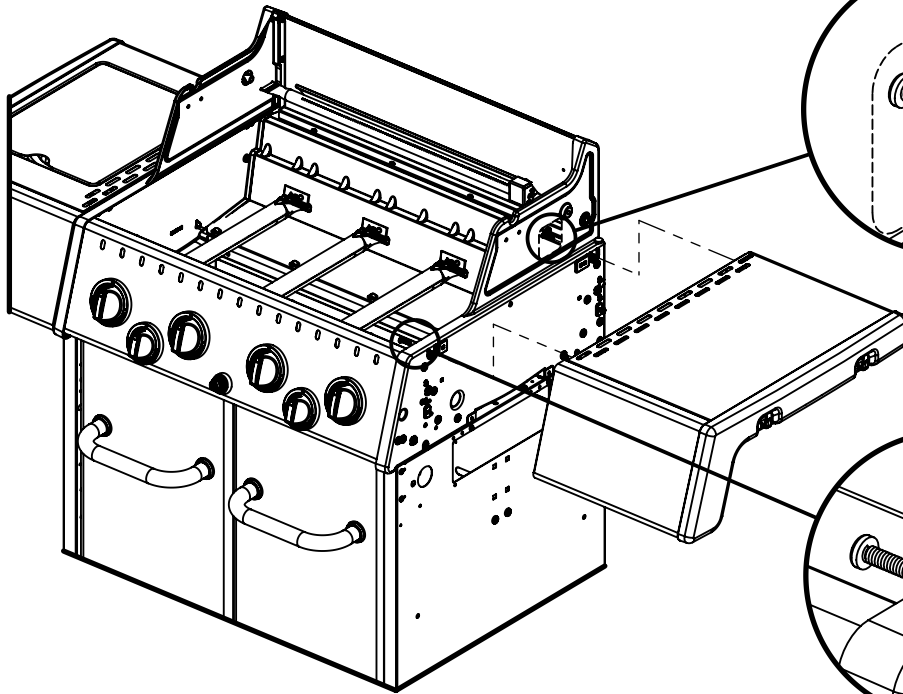
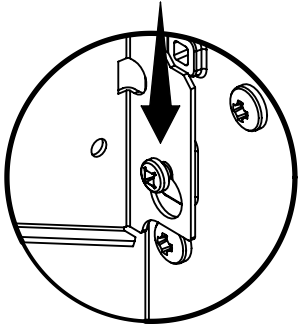
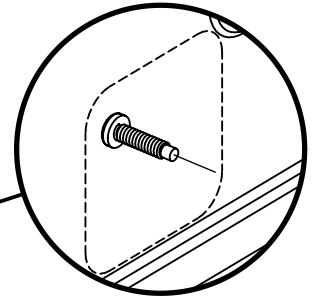
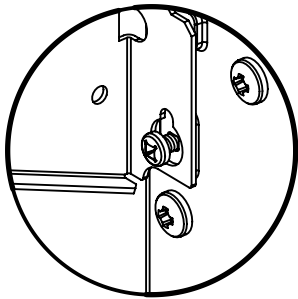
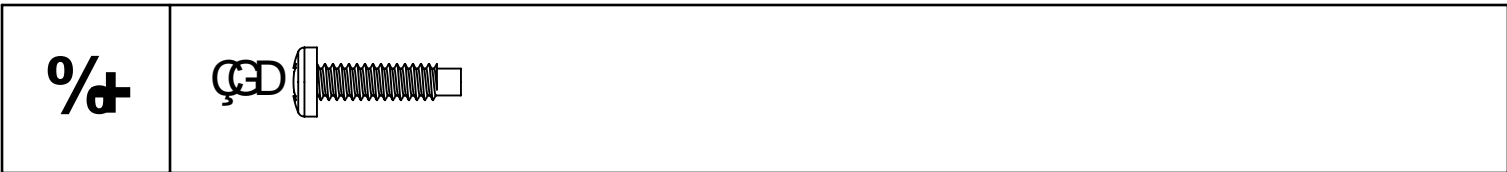


0/4

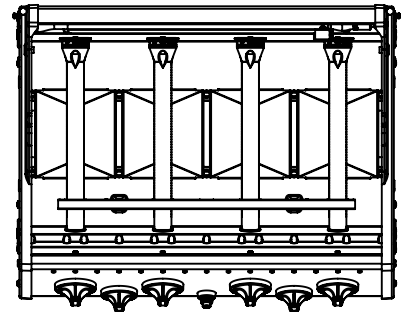
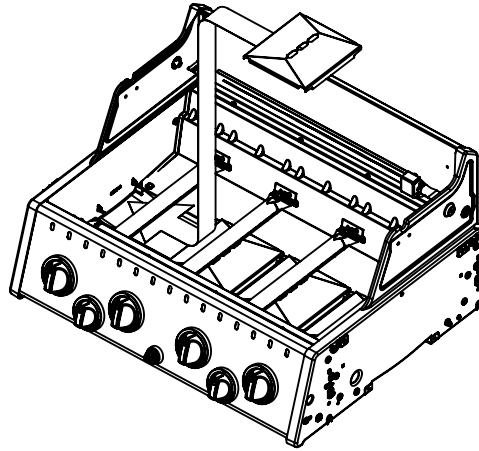
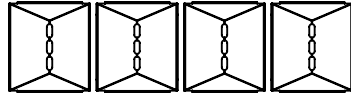
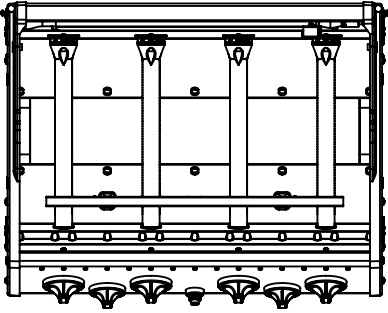


0/*

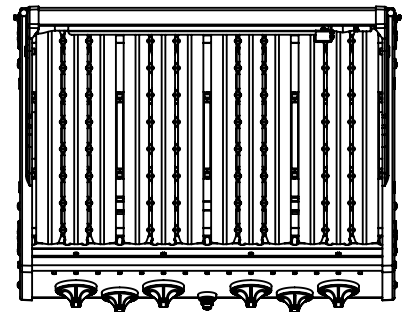
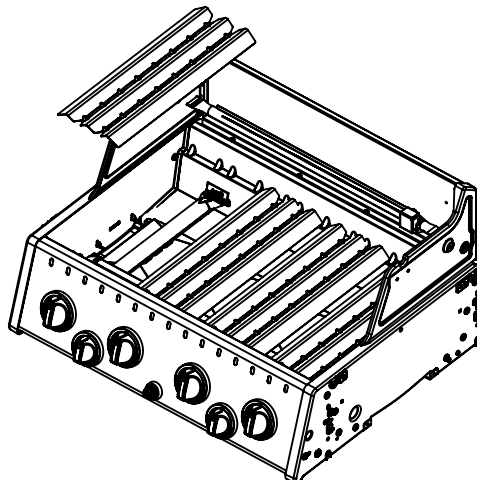
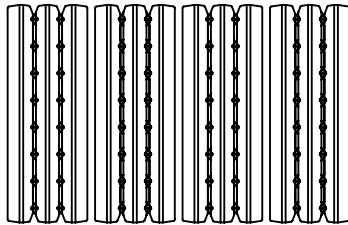
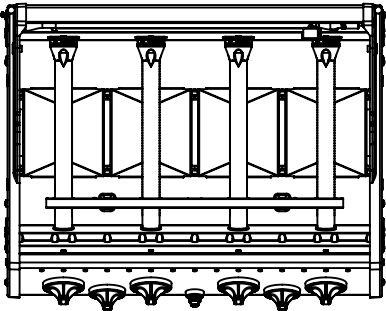




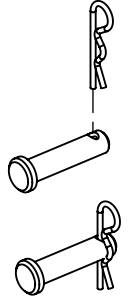
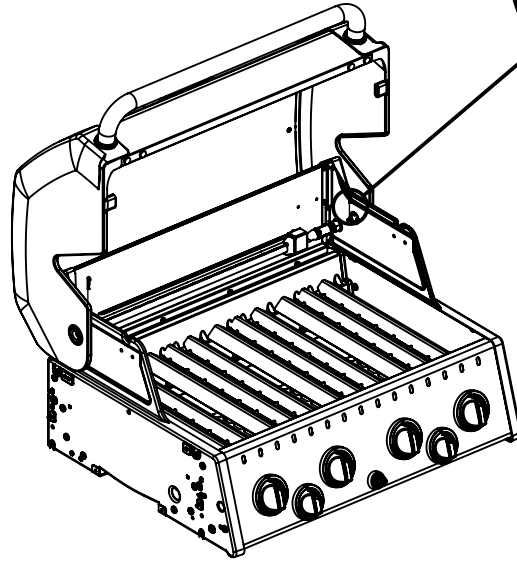
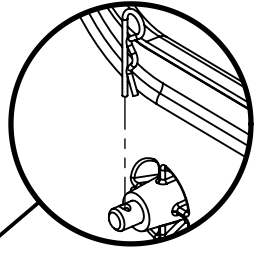
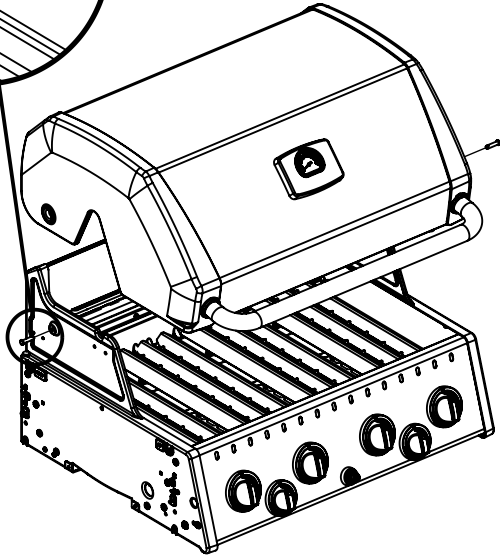
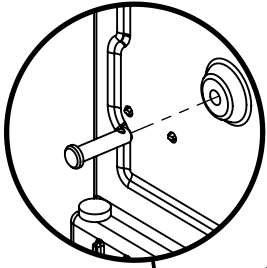
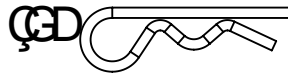
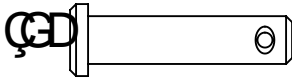
&\$



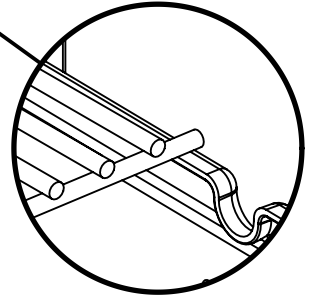
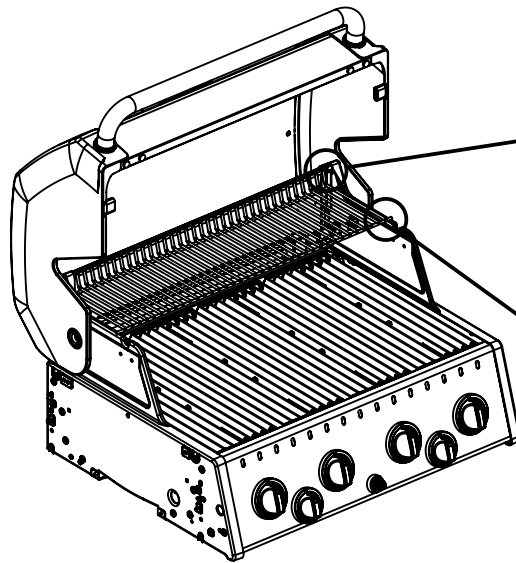
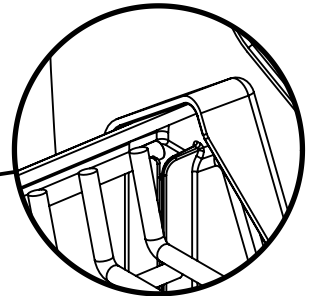
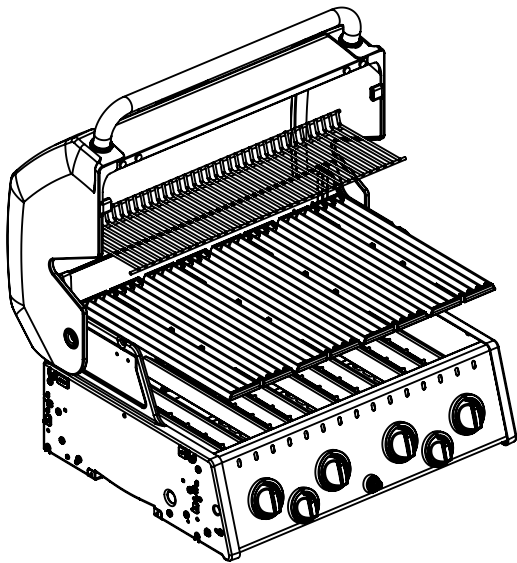
&%

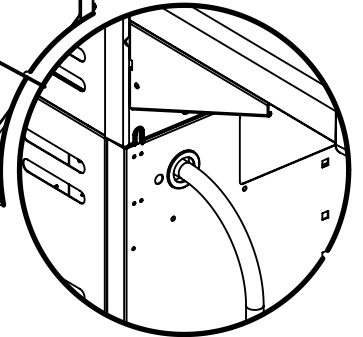
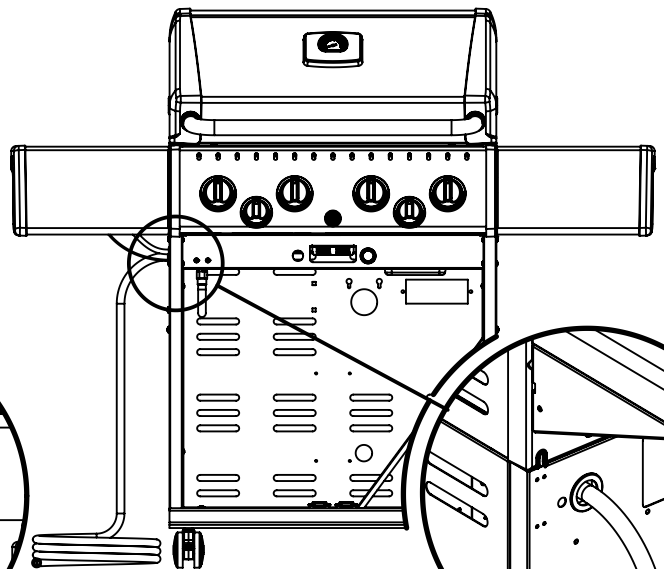
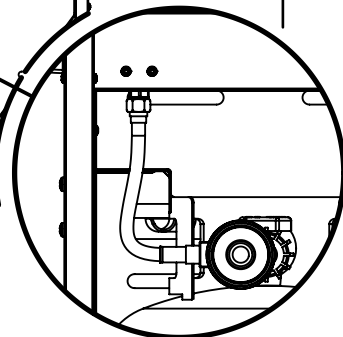
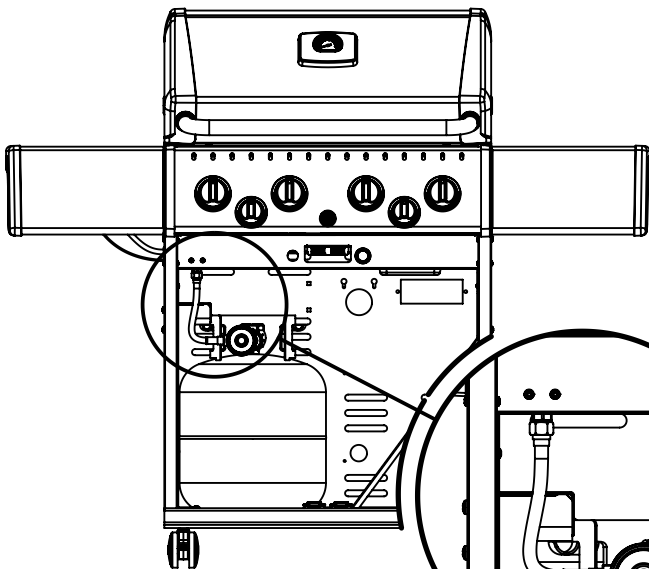
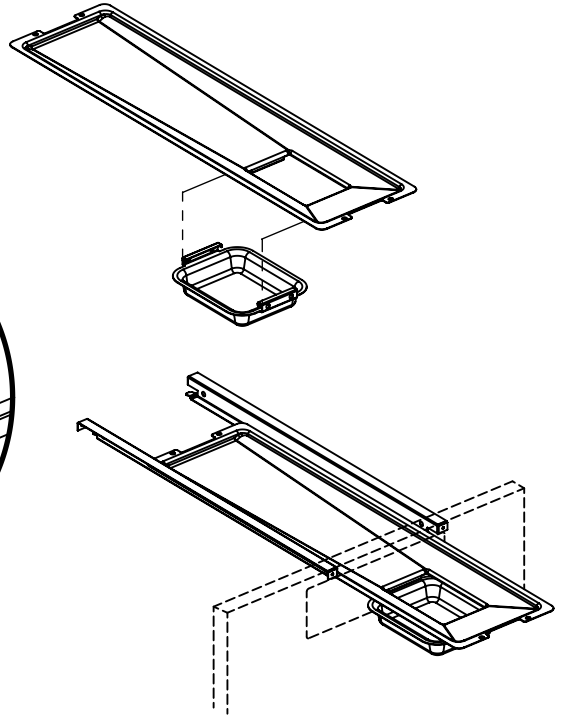
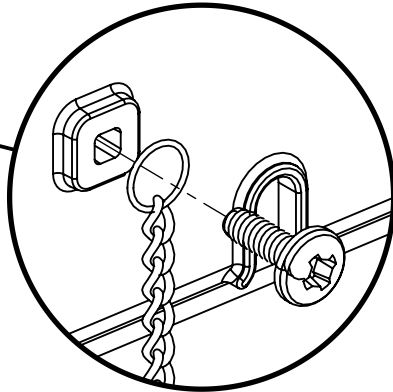
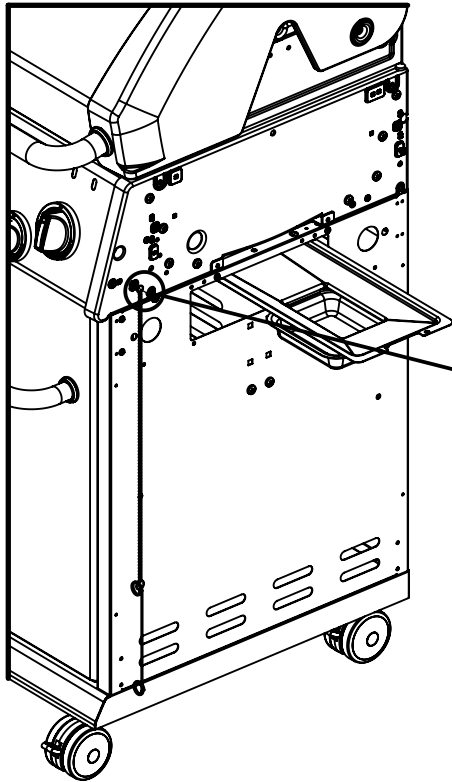
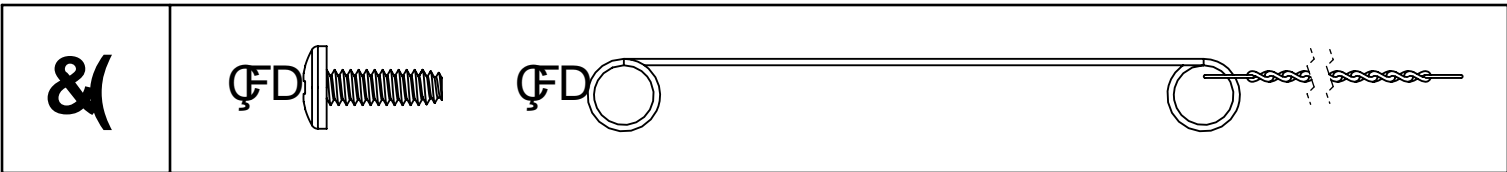


&&



&





KEY #	ITEM #	DESCRIPTION	DESCRIPTION	DESCRIPCION	DESCRIPCION	765284	765287	765284	765287	765284	765287	765284	765287	765284	765287	765284	765287	765284	765287			
1	56005-804	LID	COVERCLE	TAPA	TAPA	1	1	1	1	1	1	1	1	1	1	1	1	1	1	765344	765347	
5	56005-801	NAMEPLATE	PLAQUE D'IDENTIFICATION	PLACA CON NOMBRE	PLACA CON NOMBRE	1	1	1	1	1	1	1	1	1	1	1	1	1	1	1	765384	765387
6	10081-69S	HEAT INDICATOR	INDICATEUR DE CHALEUR	INDICADOR DE TEMPERATURA	INDICADOR DE TEMPERATURA	1	1	1	1	1	1	1	1	1	1	1	1	1	1	1	765284	765287
7	10081-69BM	HANDLE	POIGNÉE	MANGO	MANGO	1	1	1	1	1	1	1	1	1	1	1	1	1	1	1	765284	765287
8	24005-12A	HANDLE BEZEL	MONTURE DE POIGNÉE	BISEL DEL MANGO	BISEL DEL MANGO	2	2	2	2	2	2	2	2	2	2	2	2	2	2	2	765364	765367
10	24009-936	FIREBOX	BOITE DE FEU	CAJA DE FUEGO	CAJA DE FUEGO	1	1	1	1	1	1	1	1	1	1	1	1	1	1	1	765284	765287
15	52005-274	COLLECTOR BOX	COLLECTE BOX	CAJA RECOLECTORA	CAJA RECOLECTORA	1	1	1	1	1	1	1	1	1	1	1	1	1	1	1	765384	765387
17	22225-014A	GREASE SHIELD	PROTECTION CONTRE LA GRAISSE	PROTECTOR CONTRA GRASA	PROTECTOR CONTRA GRASA	4	4	4	4	4	4	4	4	4	4	4	4	4	4	4	765284	765287
25	27249-904	BURNER - MAIN	BRÛLEUR - PRINCIPAL	QUEMADOR - PRINCIPAL	QUEMADOR - PRINCIPAL	4/4	4/4	4/4	4/4	4/4	4/4	4/4	4/4	4/4	4/4	4/4	4/4	4/4	4/4	4/4	765284	765287
28	52904-144LP	CONTROL COVER	PANNEAU DE CONTROLE	CUBIERTA DE CONTROL	CUBIERTA DE CONTROL	1/4	1/4	1/4	1/4	1/4	1/4	1/4	1/4	1/4	1/4	1/4	1/4	1/4	1/4	1/4	765284	765287
29	52025-304NA	CONTROL ASSEMBLY	SOUPAPE	MECANISME DE CONTROL	MECANISME DE CONTROL	1	1	1	1	1	1	1	1	1	1	1	1	1	1	1	765284	765287
30	52025-244NA	HOSE - SIDE BURNER	TUYAU - BRÛLEUR DE CÔTÉ	MANGUERA - QUEMADOR LATERAL	MANGUERA - QUEMADOR LATERAL	1	1	1	1	1	1	1	1	1	1	1	1	1	1	1	765284	765287
31	52025-121NA	HOSE & REGULATOR	TUYAU ET REGULATEUR	MANGUERA Y REGULADOR	MANGUERA Y REGULADOR	1/4	1/4	1/4	1/4	1/4	1/4	1/4	1/4	1/4	1/4	1/4	1/4	1/4	1/4	1/4	765284	765287
32	10111-K45	NATURAL GAS HOSE	TUYAU DE GAZ NATUREL	MANGUERA PARA GAS NATURAL	MANGUERA PARA GAS NATURAL	1/4	1/4	1/4	1/4	1/4	1/4	1/4	1/4	1/4	1/4	1/4	1/4	1/4	1/4	1/4	765284	765287
33	10111-15A	BURNER - ROTISSERIE	BRÛLEUR DE TOURNÉBROCHE	QUEMADOR PARA ROSTIZAR	QUEMADOR PARA ROSTIZAR	1	1	1	1	1	1	1	1	1	1	1	1	1	1	1	765284	765287
34	27905-354	ELECTRODE	ELECTRODE	ELECTRODO	ELECTRODO	1	1	1	1	1	1	1	1	1	1	1	1	1	1	1	765284	765287
35	S13473-091	MANIFOLD - REAR BURNER	TUBO DE BRÛLEUR ARRIÈRE	TUBO. QUEMADOR POSTERIOR	TUBO. QUEMADOR POSTERIOR	1	1	1	1	1	1	1	1	1	1	1	1	1	1	1	765284	765287
36	Y-11990	NUT HEX	ÉCROU HEXAGONAL	TUERCA HEXAGONAL	TUERCA HEXAGONAL	1	1	1	1	1	1	1	1	1	1	1	1	1	1	1	765284	765287
38	22002-268	CONTROL BEZEL - RESIN - LARGE	MONTURE DE CONTROLE	BISEL DE CONTROL	BISEL DE CONTROL	4	4	4	4	4	4	4	4	4	4	4	4	4	4	4	765284	765287
39	22001-168	CONTROL BEZEL - RESIN - SMALL	MONTURE DE CONTROLE	BISEL DE CONTROL	BISEL DE CONTROL	1	1	1	1	1	1	1	1	1	1	1	1	1	1	1	765284	765287
40	10472-K431	CONTROL KNOB - LARGE	BOUTON DE CONTROLE	PERILLA DE CONTROL	PERILLA DE CONTROL	4	4	4	4	4	4	4	4	4	4	4	4	4	4	4	765284	765287
41	10472-K231	CONTROL KNOB - SMALL	BOUTON DE CONTROLE	PERILLA DE CONTROL	PERILLA DE CONTROL	1	1	1	1	1	1	1	1	1	1	1	1	1	1	1	765284	765287
42	10342-247	ELECTRONIC IGNITOR	ALLUMAGE ELECTRONIQUE	ENCENDEADOR ELECTRÓNICO	ENCENDEADOR ELECTRÓNICO	1	1	1	1	1	1	1	1	1	1	1	1	1	1	1	765284	765287
43	10342-245	ELECTRODE	ÉLECTRODE	ELECTRODO	ELECTRODO	1	1	1	1	1	1	1	1	1	1	1	1	1	1	1	765284	765287
44	52209-404	FLAV-R-WAVE®	FLAV-R-WAVE®	FLAV-R-WAVE®	FLAV-R-WAVE®	2	2	2	2	2	2	2	2	2	2	2	2	2	2	2	765284	765287
45a	52007-181	GRID-SINGLE-CAST IRON	GRILLE-SEUL-FER	REJILLA-UNICA-HIERRO	REJILLA-UNICA-HIERRO	4	4	4	4	4	4	4	4	4	4	4	4	4	4	4	765284	765287
45b	52005-284	GRID-SINGLE-SS	GRILLE-SEUL-INOX	REJILLA-UNICA-INOX	REJILLA-UNICA-INOX	2	2	2	2	2	2	2	2	2	2	2	2	2	2	2	765284	765287
46	52002-181	GRID-DOUBLE-CAST IRON	GRILLE-DOUBLE-FER	REJILLA-DOUBLE-HIERRO	REJILLA-DOUBLE-HIERRO	2	2	2	2	2	2	2	2	2	2	2	2	2	2	2	765284	765287
47	52005-991	GRID-DOUBLE-SS	GRILLE-DOUBLE-INOX	REJILLA-DOUBLE-INOX	REJILLA-DOUBLE-INOX	2	2	2	2	2	2	2	2	2	2	2	2	2	2	2	765284	765287
48	52009-901	GRID - WARMING RACK	GRILLE - MAINTIEN AU CHAUD	REJILLA - ESTANTE PARA CALENTAR	REJILLA - ESTANTE PARA CALENTAR	1	1	1	1	1	1	1	1	1	1	1	1	1	1	1	765284	765287
49	57055-901	GREASE TRAY	PLATEAU A GRAISSE	BANDEJA RECOLECTORA DE GRASA	BANDEJA RECOLECTORA DE GRASA	1	1	1	1	1	1	1	1	1	1	1	1	1	1	1	765284	765287
50	52009-901	GREASE PAN	CUVETTE A GRAISSE	BANDEJA PARA LA GRASA	BANDEJA PARA LA GRASA	1	1	1	1	1	1	1	1	1	1	1	1	1	1	1	765284	765287
51	21035-991	GREASE TRAY - RAIL	PLATEAU A GRAISSE - SUPPORT	BANDEJA DE GRASA - SOPORTE	BANDEJA DE GRASA - SOPORTE	2	2	2	2	2	2	2	2	2	2	2	2	2	2	2	765284	765287
52	51275-134A	DOOR - LEFT HAND	PORTE - GAUCHE	PUERTA - IZQUIERDA	PUERTA - IZQUIERDA	1	1	1	1	1	1	1	1	1	1	1	1	1	1	1	765284	765287
53	51275-131A	DOOR - RIGHT HAND	PORTE - DROITE	PUERTA - DERECHA	PUERTA - DERECHA	1	1	1	1	1	1	1	1	1	1	1	1	1	1	1	765284	765287
54	51275-114A	DOOR HANDLE	POIGNÉE DE LA PORTE	TIRADOR DE PUERTA	TIRADOR DE PUERTA	1	1	1	1	1	1	1	1	1	1	1	1	1	1	1	765284	765287
55	21071-113	HANDLE BEZEL	MONTURE DE POIGNÉE	TIRADOR BEZEL	TIRADOR BEZEL	2	2	2	2	2	2	2	2	2	2	2	2	2	2	2	765284	765287
56	21070-13	CABINET - SIDE PANEL	CABINET - PANNEAU LATÉRAL	ARMARIO - PANEL LATERAL	ARMARIO - PANEL LATERAL	4	4	4	4	4	4	4	4	4	4	4	4	4	4	4	765284	765287
57	21109-901	CABINET - REAR PANEL	CABINET - PANNEAU ARRIÈRE	ARMARIO - PANEL TRASERO	ARMARIO - PANEL TRASERO	2	2	2	2	2	2	2	2	2	2	2	2	2	2	2	765284	765287
58	21305-925	CABINET - LOWER BASE	TABLETTE INFÉRIEURE	ARMARIO - BASE INFERIOR	ARMARIO - BASE INFERIOR	1	1	1	1	1	1	1	1	1	1	1	1	1	1	1	765284	765287
59	21305-921					1	1	1	1	1	1	1	1	1	1	1	1	1	1	1	765284	765287
60	51615-241					1/4	1/4	1/4	1/4	1/4	1/4	1/4	1/4	1/4	1/4	1/4	1/4	1/4	1/4	1/4	765284	765287
61	51615-275					1/4	1/4	1/4	1/4	1/4	1/4	1/4	1/4	1/4	1/4	1/4	1/4	1/4	1/4	1/4	765284	765287
62	51615-271					1/4	1/4	1/4	1/4	1/4	1/4	1/4	1/4	1/4	1/4	1/4	1/4	1/4	1/4	1/4	765284	765287

