

This Owner's Manual is provided and hosted by [Appliance Factory Parts](#).



# Broil-Mate 765324 Owner's Manual

[Shop genuine replacement parts for Broil-Mate 765324](#)



[Find Your Broil-Mate Grill Parts - Select From 682 Models](#)

----- Manual continues below part list -----

## Available Replacement Parts for Broil-Mate 765324

<a href="#">18013</a>	LARGE PROBE HEAT INDICATOR
<a href="#">S21124</a>	SCREW PHCP #8 X 12 +
<a href="#">10390-E10</a>	BURNER SIDE 10BTU W/ELEC #8 +
<a href="#">Y-12220</a>	S/B BUSHING SB 1.375 16 HEY
<a href="#">10342-246</a>	IGNITOR ELECTRONIC TRIPLE +
<a href="#">Y-12222</a>	MAGNET - DOOR
<a href="#">10240-20</a>	DOOR PIN TOP
<a href="#">27055-901</a>	GREASE TRAY PORC FORMED 440 +
<a href="#">59005-034</a>	CONTROL ASSY 4V S/B LP
<a href="#">59005-037</a>	CONTROL ASSY 4V S/B NG
<a href="#">18431</a>	OEM FLAV R WAVE - BARON
<a href="#">20005-000</a>	HARDWARE BAG STICK & CHAIN SS
<a href="#">10342-T21</a>	ELECTRODE WIRE S/B 35 INCH
<a href="#">52002-284</a>	COOKING GRID SS, Each
<a href="#">53009-951</a>	SIDE BURNER TRIVET BLK
<a href="#">52924-144R</a>	BURNER - MAIN
<a href="#">10111-K45</a>	HOSE 3/8 INCH ASSEMBLY NG 10 FOOT +
<a href="#">10081-69BM</a>	NAMEPLATE BROILMATE
<a href="#">10342-E12</a>	ELECTRODE W/WIRE +
<a href="#">24009-936</a>	HANDLE RING
<a href="#">10472-K431</a>	CONTRL KNOB RESIN LRG BLCK W/SS BA STRIP
<a href="#">21071-13</a>	DOOR HANDLE 500 GPB
<a href="#">22001-168</a>	CONTROL KNOB BEZEL SML
<a href="#">22002-268</a>	CONTROL KNOB BEZEL LARGE
<a href="#">24005-12AB</a>	LID-HANDLE BENT,
<a href="#">52005-991</a>	WARMING RACK 440 PORC
<a href="#">21035-991</a>	GREASE RAIL 440/500 SABLE BLK
<a href="#">21009-951</a>	TANK COLLAR CLAMP 625/750 BLK PULL OUT
<a href="#">51239-901</a>	TANK PREVENTION BRACKET 440 + BLK
<a href="#">51335-211</a>	TOP MAGNET BRACKET 440 BLACK

<a href="#">52009-901</a>	GREASE PAN - BLACK HIGH HEAT PAINT
<a href="#">57139-13</a>	BRACKET U-CHANNEL REAR 330/440/550
<a href="#">10111-15A</a>	HOSE ASSEMBLY SS
<a href="#">10114-16</a>	HOSE & REG ASSY 17 INCH LP +
<a href="#">52904-144NG</a>	BURNER ASSY MAIN SINGLE TUBE + NG
<a href="#">53001-011A</a>	SHELF ASSEMBLY 330/440 RHS + SS FASCIA
<a href="#">10892-286</a>	CASTER 3 INCH W/O LEG LEVEL
<a href="#">51639-908</a>	CASTER BRACKET RESIN BLK AB
<a href="#">27249-904</a>	GREASE SHIELD MODULAR, 6.5 x 6
<a href="#">22025-903</a>	COLLECTOR BOX ASSY 500 430SS

# OMC

ASSEMBLY MANUAL & PARTS LIST • MANUEL DE MONTAGE & LISTE DE PIÈCES • MANUAL DE ARMADO Y LISTA DE PARTES



**STERLING** 565384/87  
565344/47

**HUNTINGTON** 365384/87  
365344/47

**BROIL-MATE** 765384/87  
765344/47



**STERLING** 565284/87

**HUNTINGTON** 365284/87

**BROIL-MATE** 765284/87



**STERLING** 565364/67  
565324/27

**HUNTINGTON** 365364/67  
365324/27

**BROIL-MATE** 765364/67  
765324/27



**STERLING** 565264/67

**HUNTINGTON** 365264/67

**BROIL-MATE** 765264/67



**STERLING** 565354/57

**HUNTINGTON** 365354/57

**BROIL-MATE** 765354/57



**STERLING** 565254/57

**HUNTINGTON** 365254/57

**BROIL-MATE** 765254/57



**STERLING** 565954T/57T

RETAIN FOR FUTURE REFERENCE • VEUILLEZ CONSERVER POUR REFERENCE ULTERIEURE • CONSERVAR PARA FUTURAS CONSULTAS

1-800-265-2150

[info@omcbbq.com](mailto:info@omcbbq.com)

*Onward*  
**MANUFACTURING COMPANY**  
SINCE 1906  
1000 EAST MARKET STREET  
HUNTINGTON, INDIANA, 46750, USA

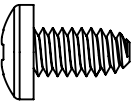
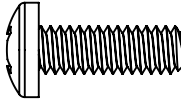
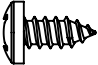
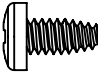
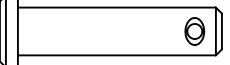

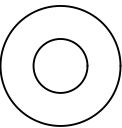
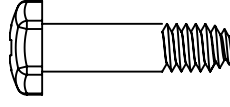
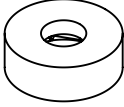
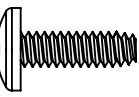

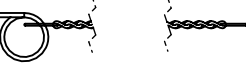
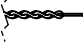

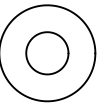
50084-E48 Rev C 11/17



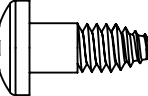
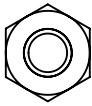
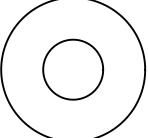


PCËJÖY ÇEÜÒÁÐ ÔŠWÖÖÁÄÄT ÇEÜÒÜÇŠÁÐ ÔŠWÜÁÄÄÜWÖUÜÁÐ ÔŠWÖÜ

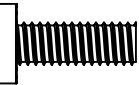
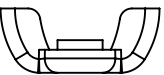


YËGÎÍ  çFI	YËGF€  çÍ Á	ÜGFFG  çì
YËJHÈ  çl	ÜFGHÍ  çG	ÜFGHH  çG
YËGÍÏ  çl	YËFÍÍF  çG	YËFGI  çG
ÜHÍ €J  çF	GEEÉÍ ÈÈÈÈ    çF	
YËJHF€  çÍ	YËGÍ€  çG	

)\*)', (ž\*)&, (ž'\*)', (ž'\*)&, (ž+\*)', (ž+\*)&, (ž\*)'\*(ž\*)&\*(ž'\*)'\*(ž'\*)&\*(ž+\*)'\*(ž+\*)&\*(ž'

YËFÍÍÍ  çG	YËFÍJÍ  çG	ÜFGÍÍ  çG
---	---	--

)\*')', (#, +ž\*)&, (#, +ž'\*)', (#, +ž'\*)&, (#, +ž+\*)', (#, +ž+\*)&, (#, +

ÜHÍ €JÍ  çG	ÜGF€ÍF  çG
--	---

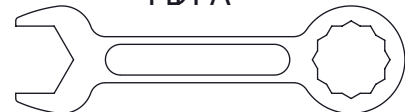
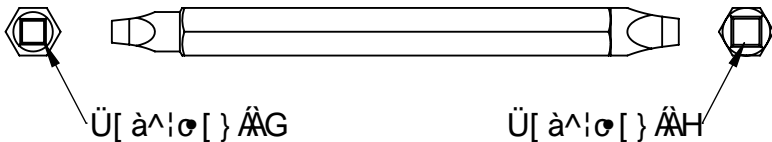


VUUŠÜÁÜÖÜWÖÖÁÄÜWŠÜÁÜÖÖÜÜÇEÜÜÁÄÄPÖÜÜÇE ÇEÜVÇEÜÁÜÖÖÜÇEÜÇEÜ

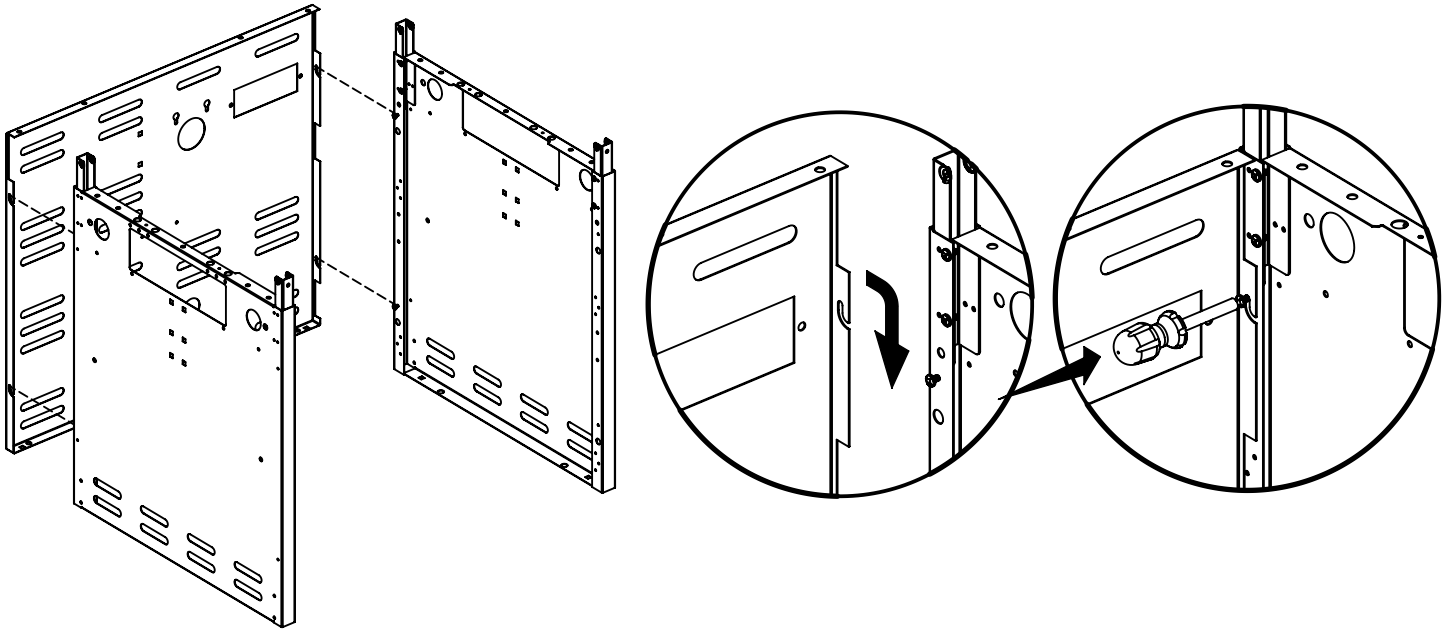


YËFGGH

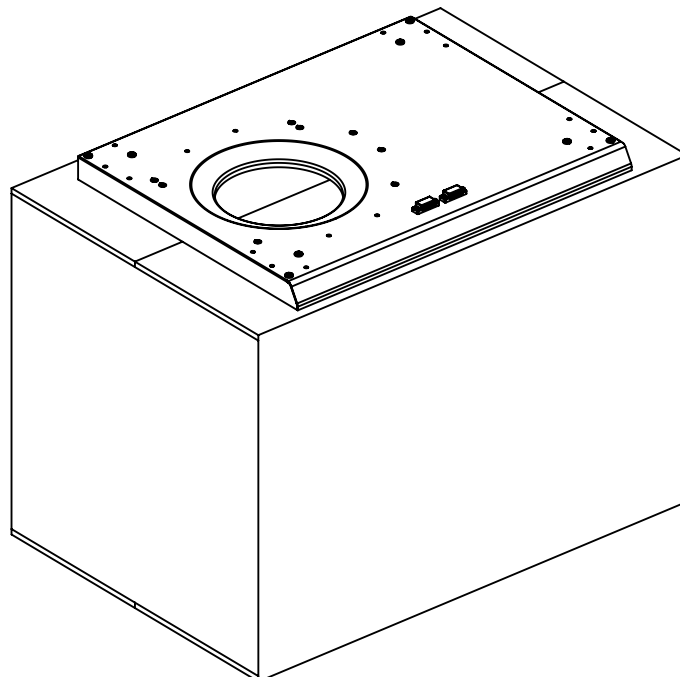
ÏËÍÄ

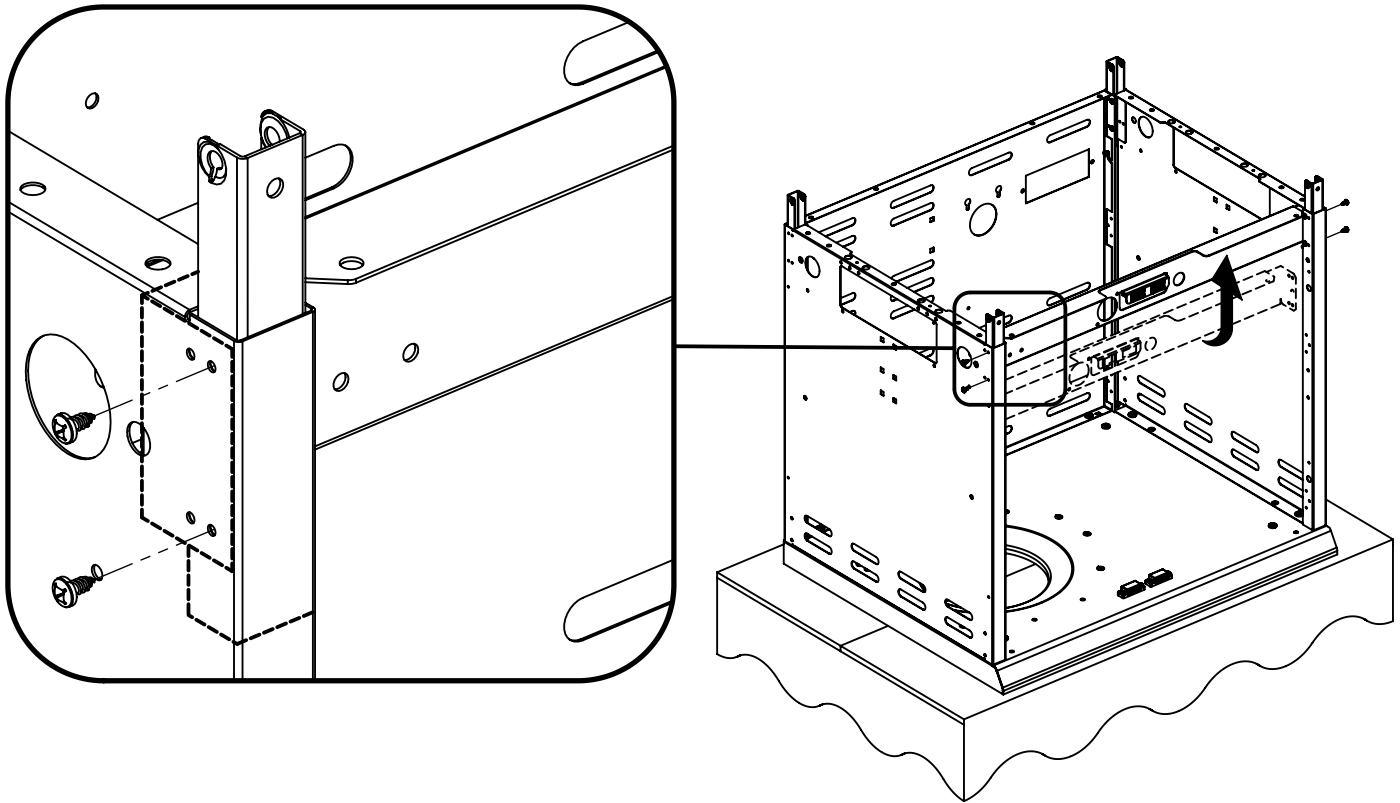
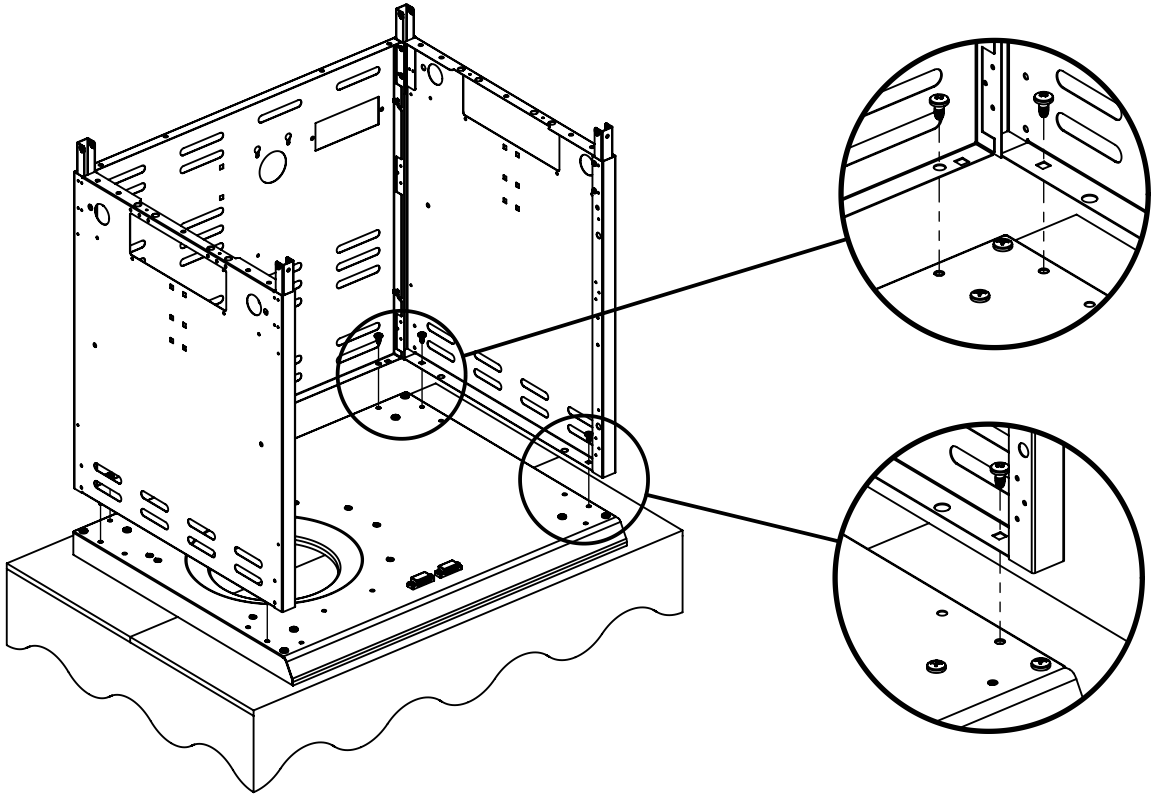


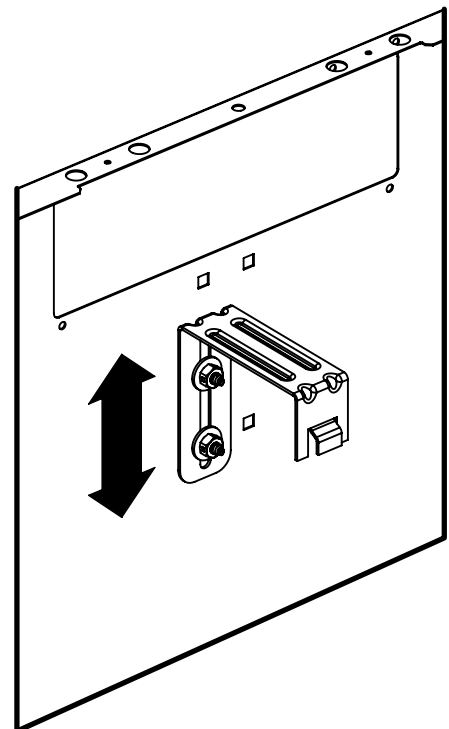
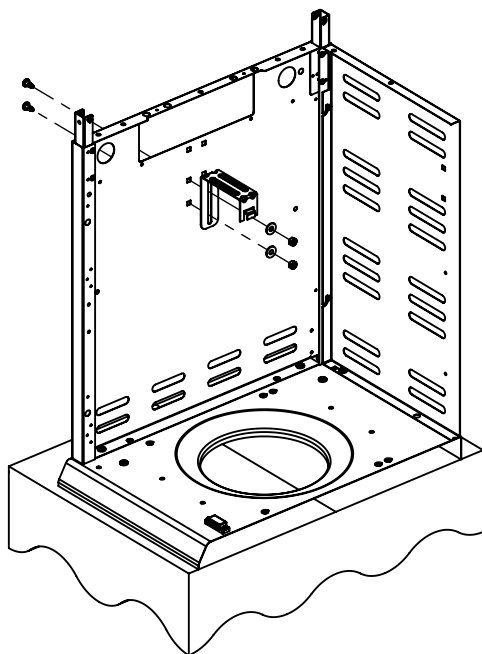
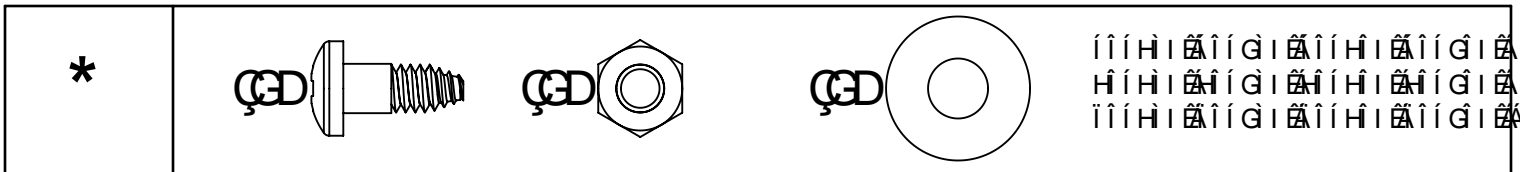
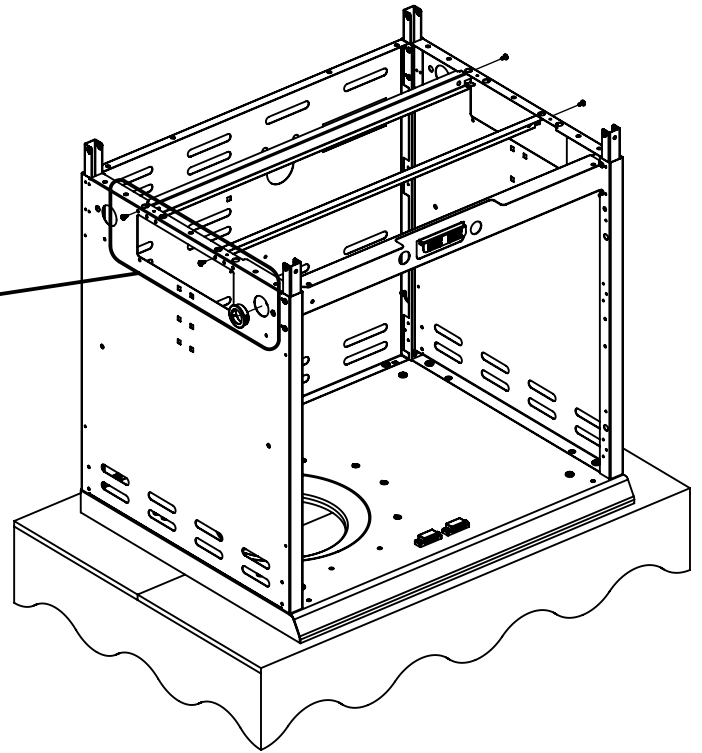
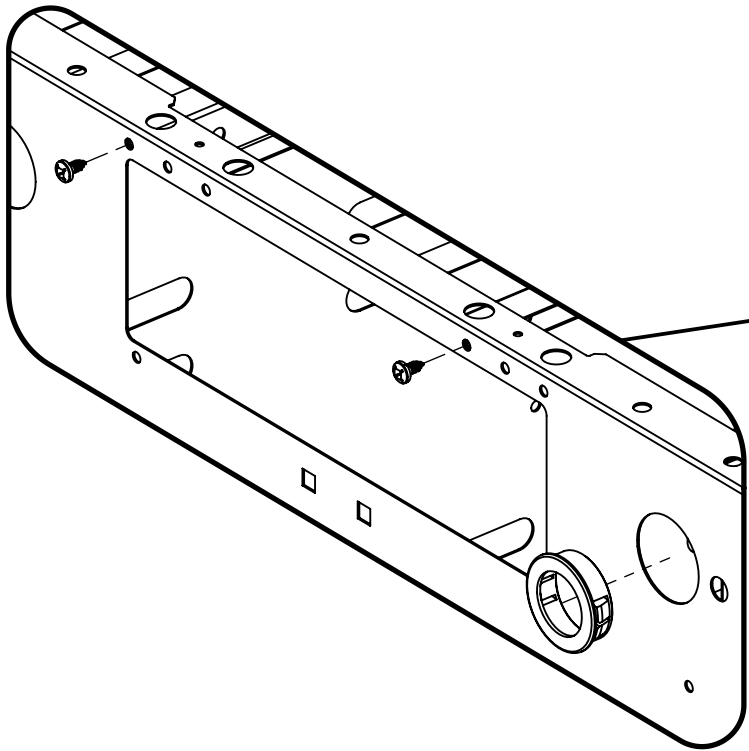
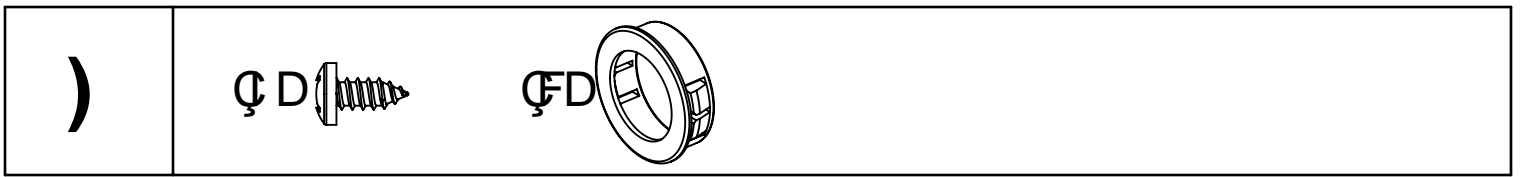
%

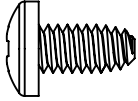


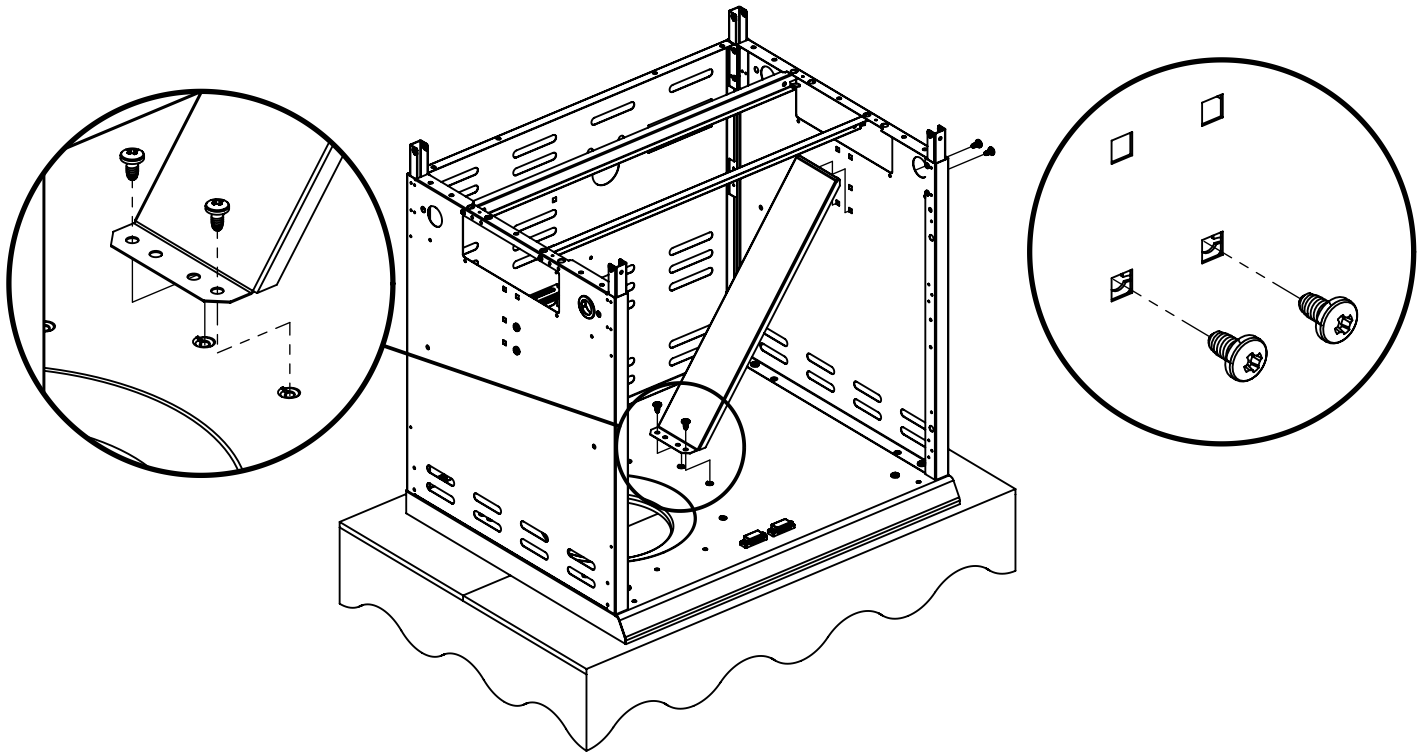
&



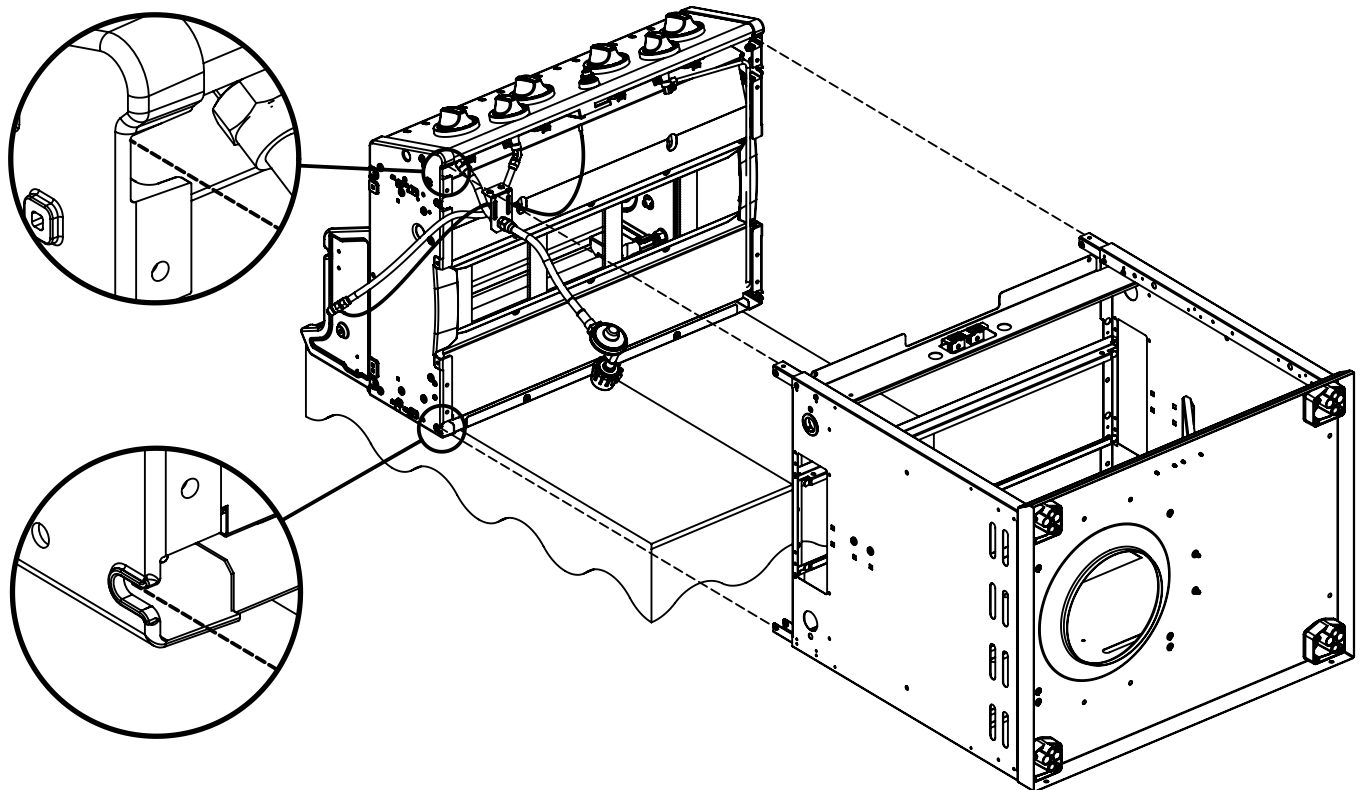


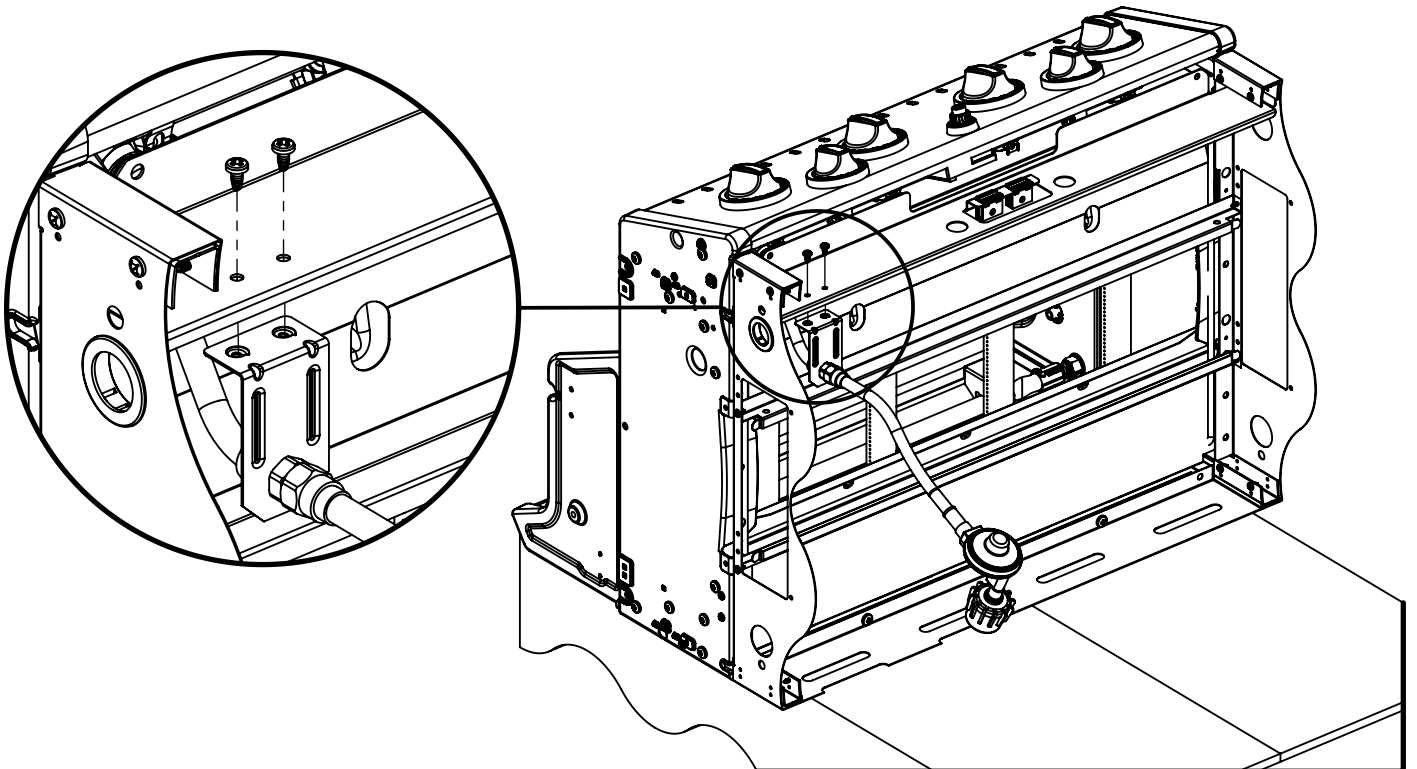
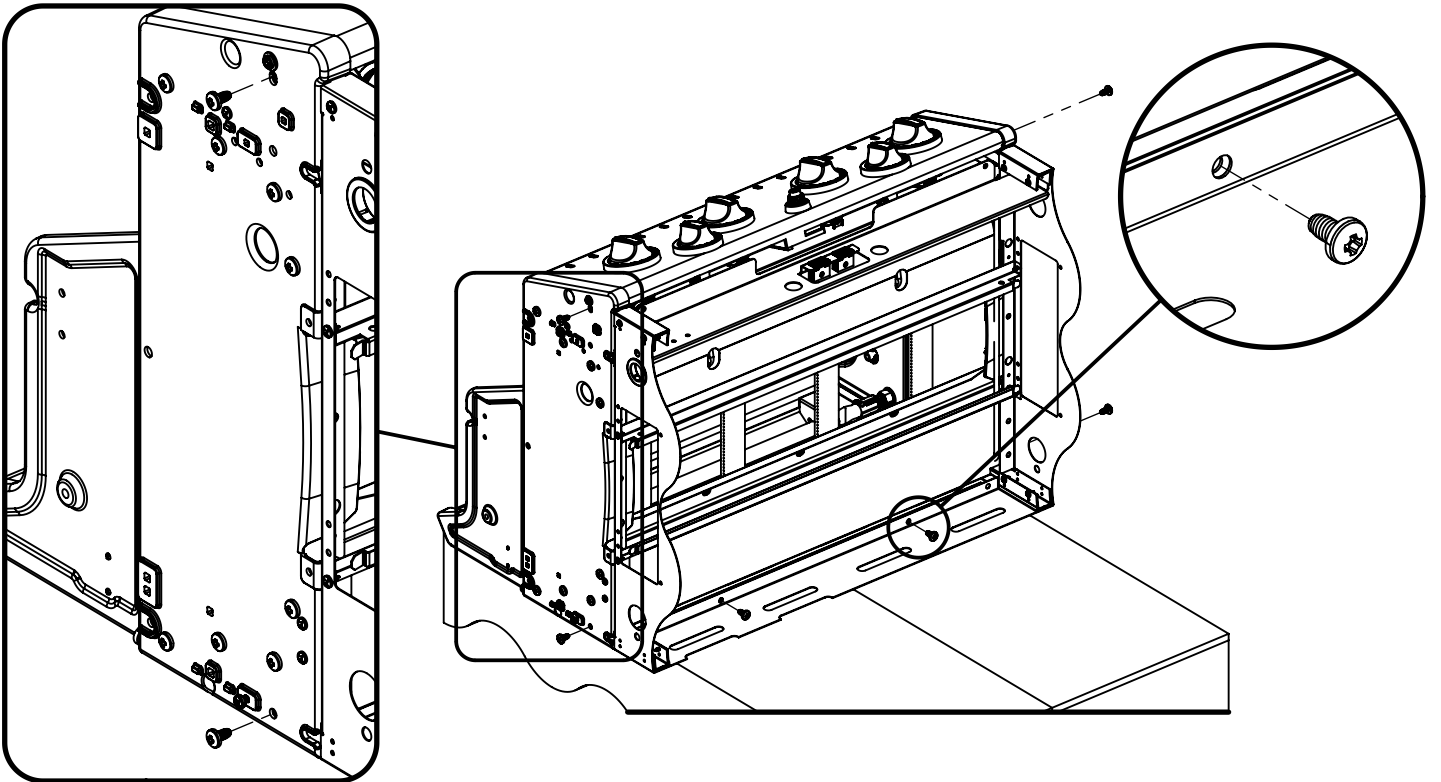


+	Ç D 
---	---

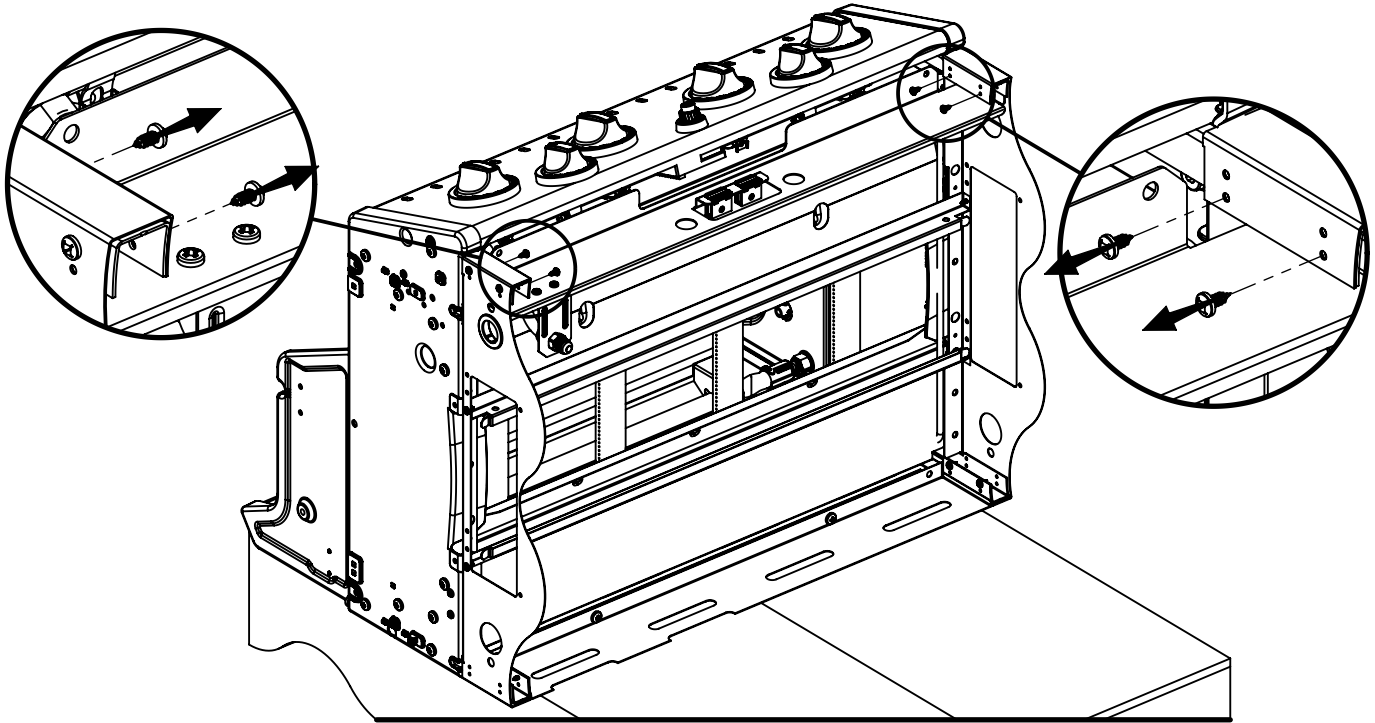


,	
---	--

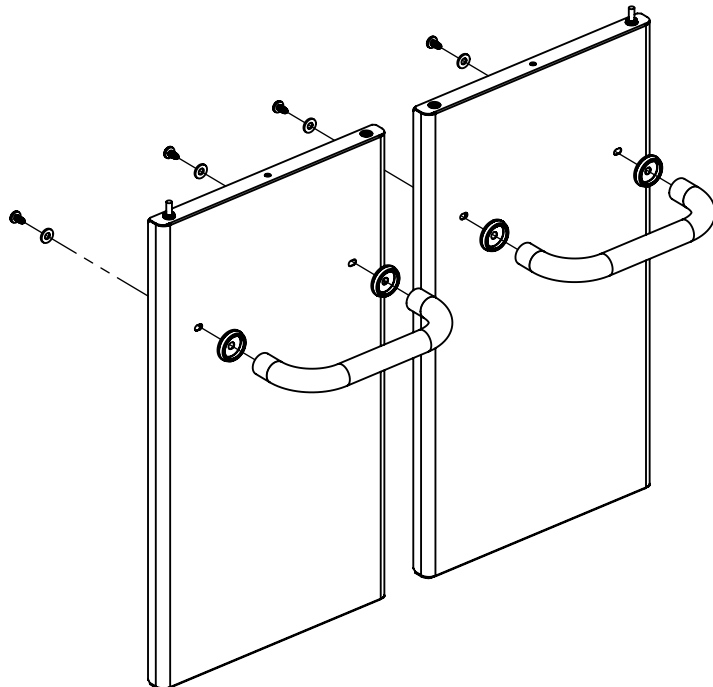
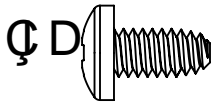


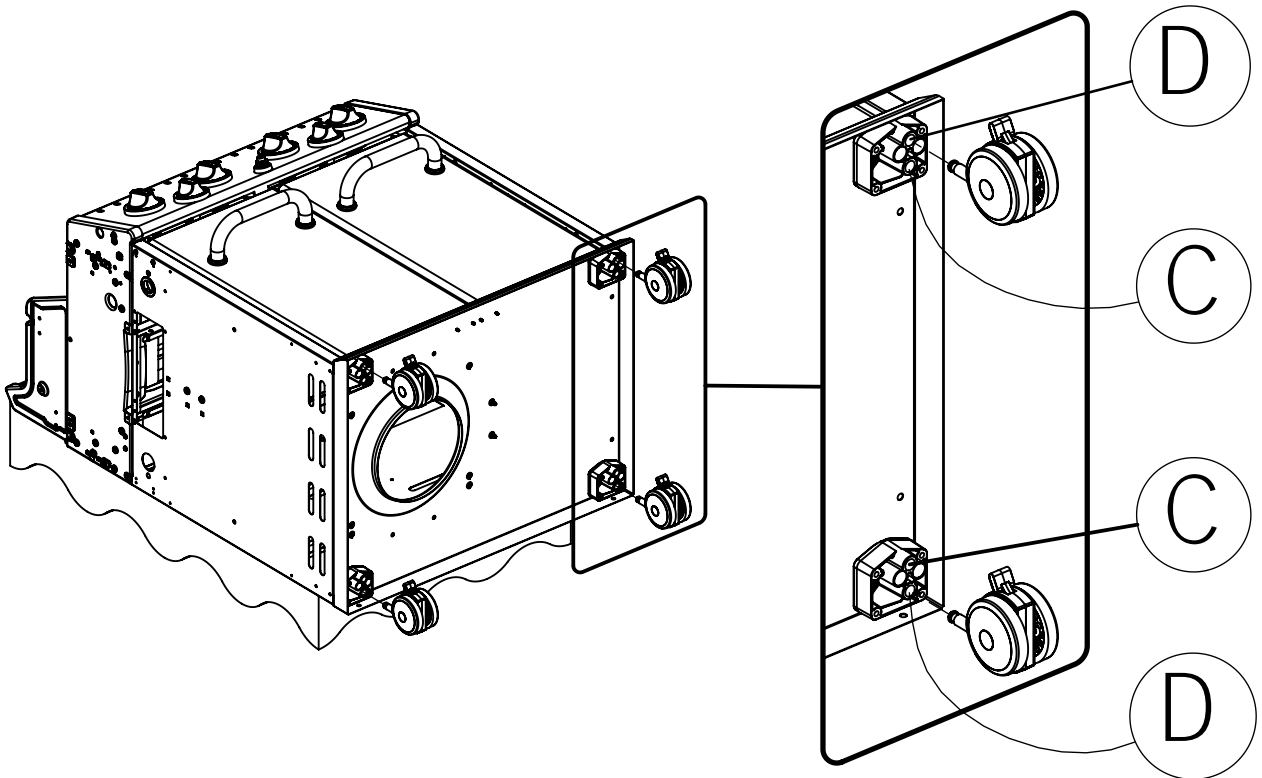
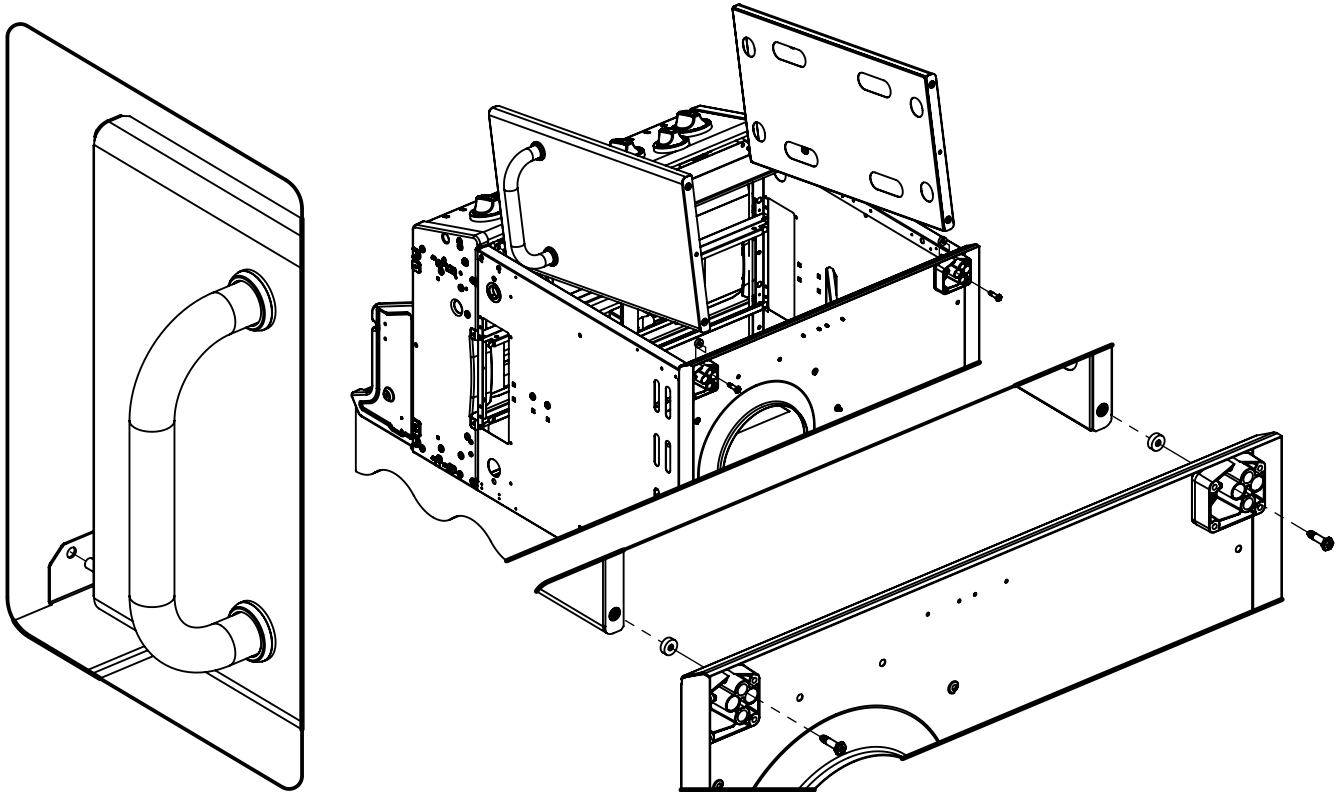
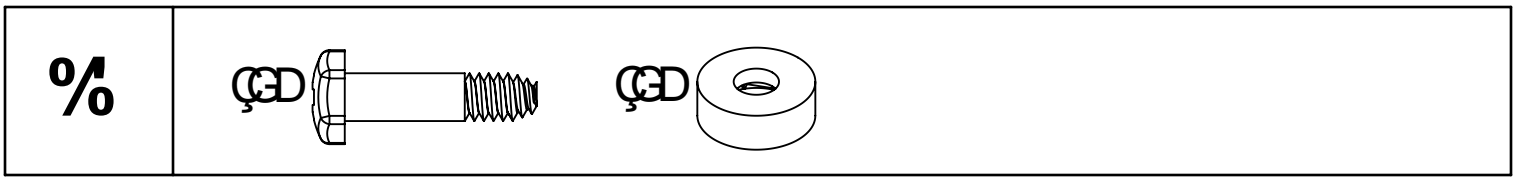


0/0

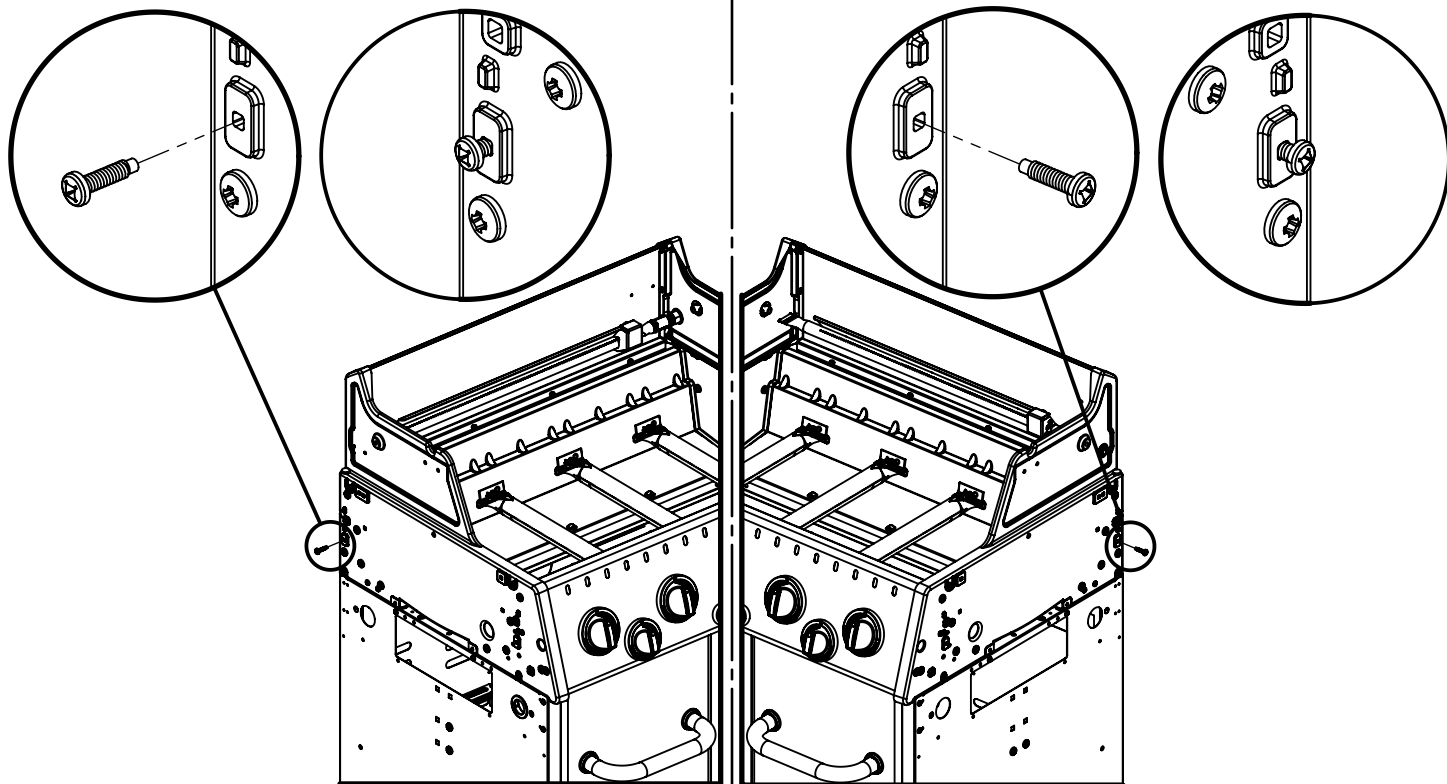
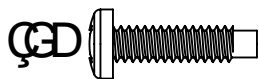


0/8

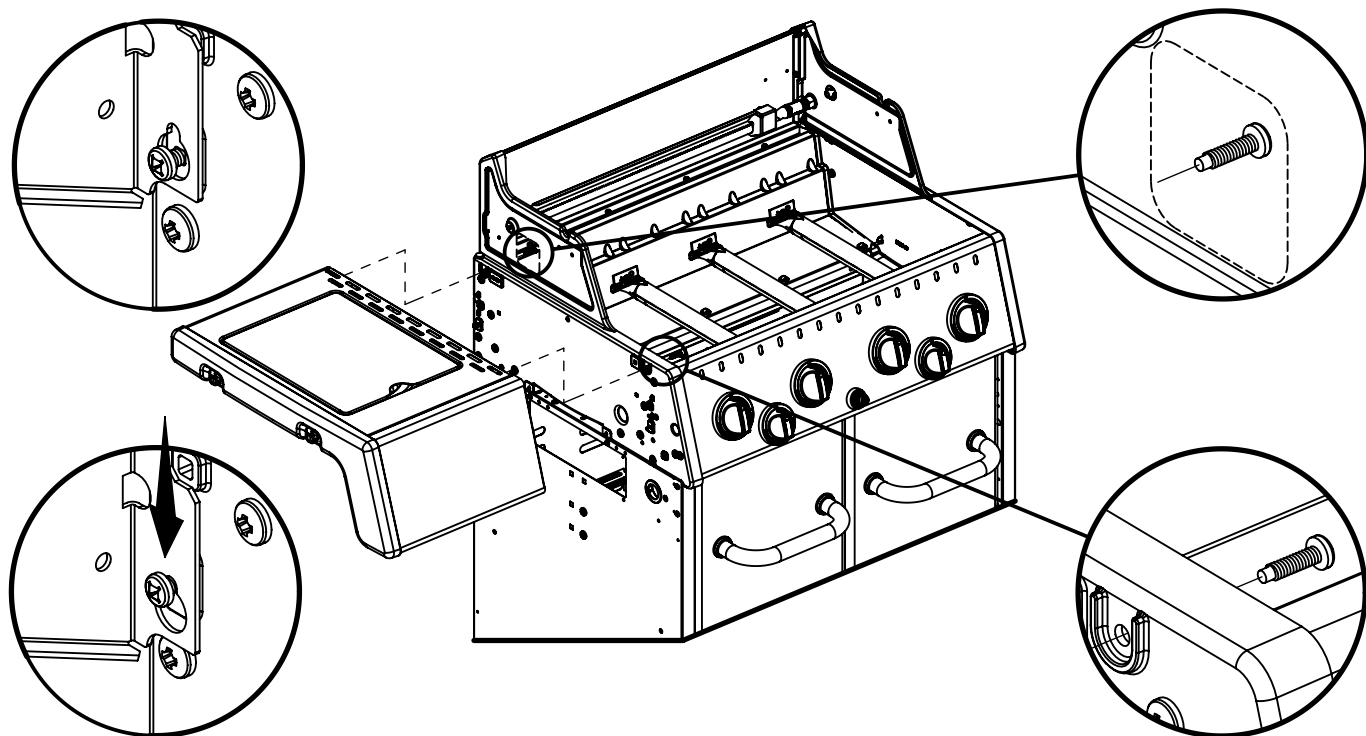
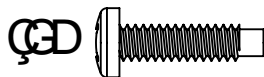


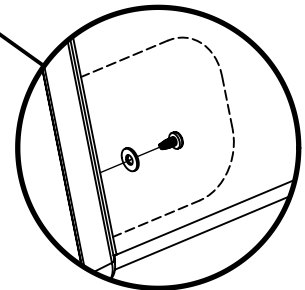
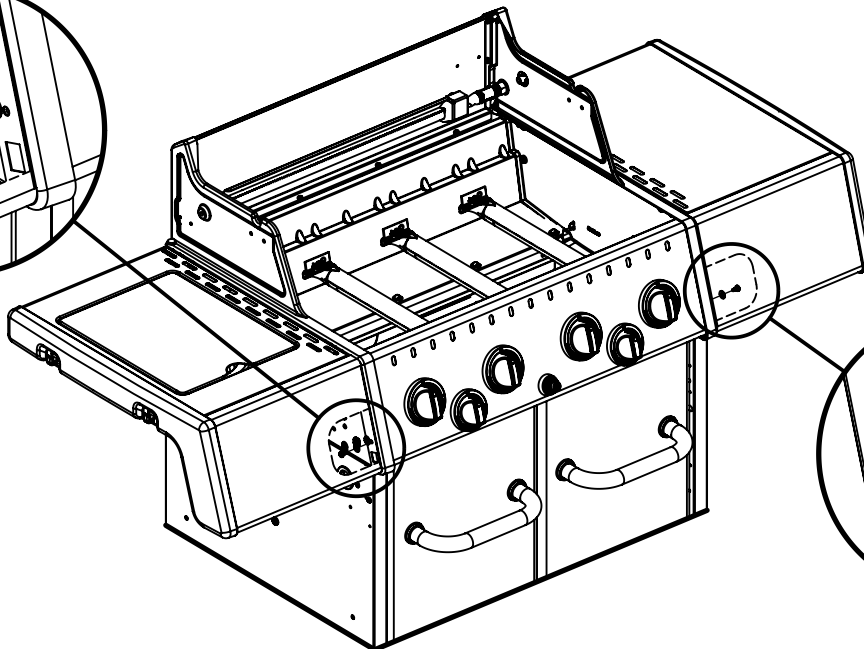
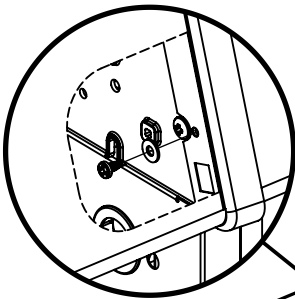
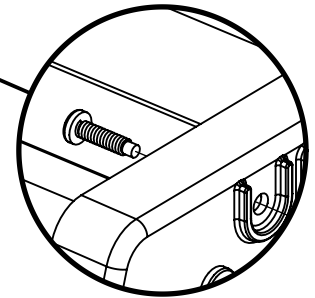
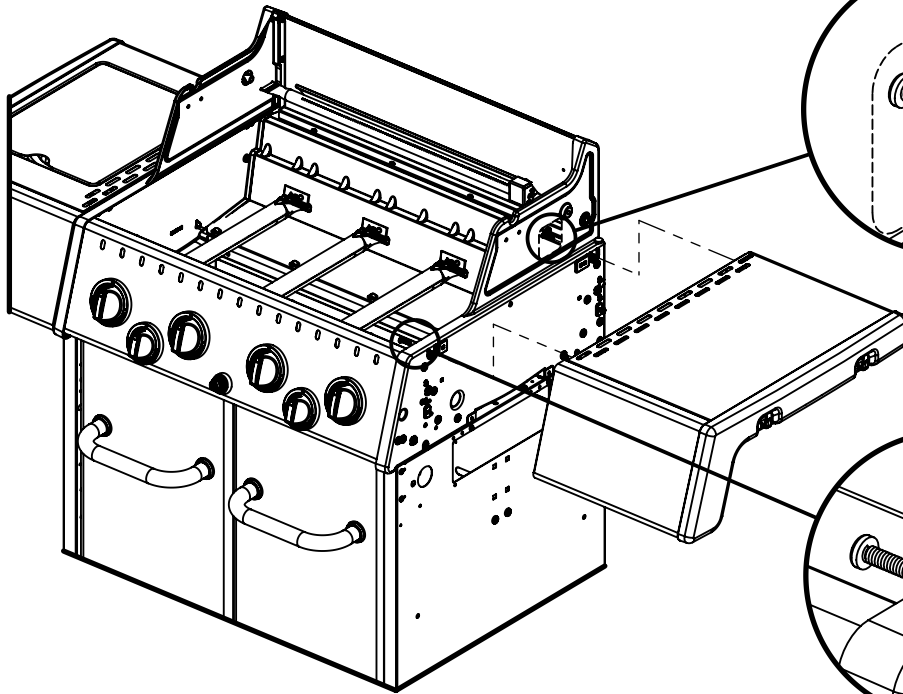
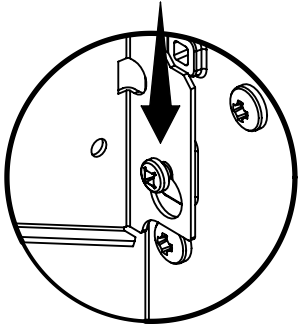
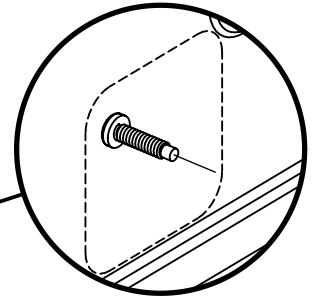
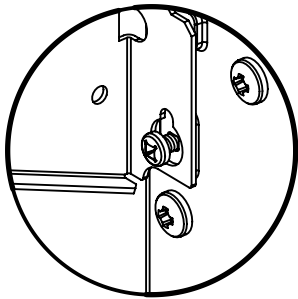
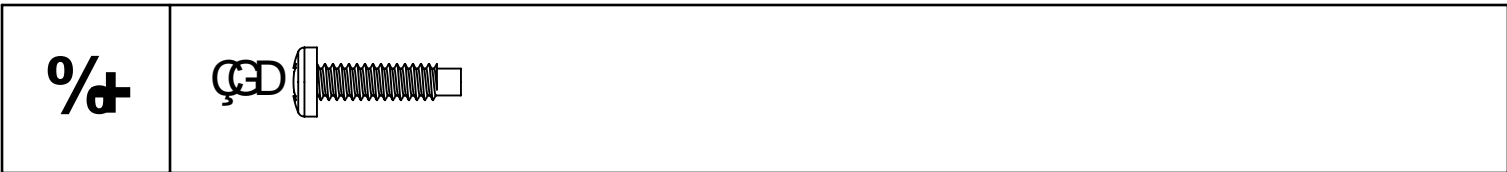


0/4



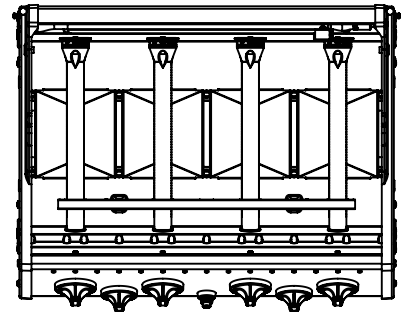
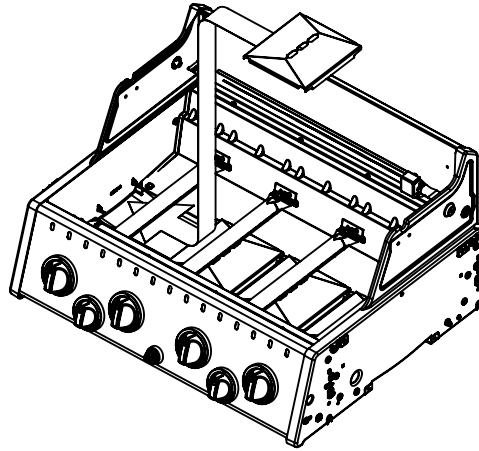
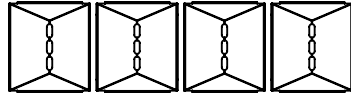
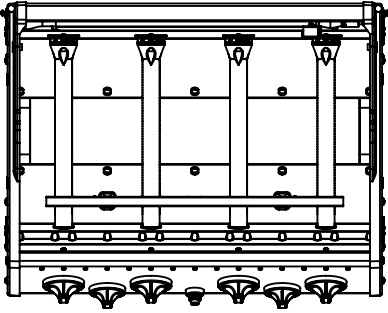
0/\*



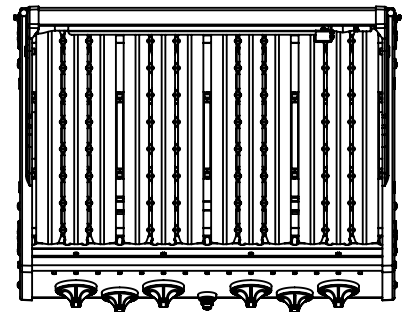
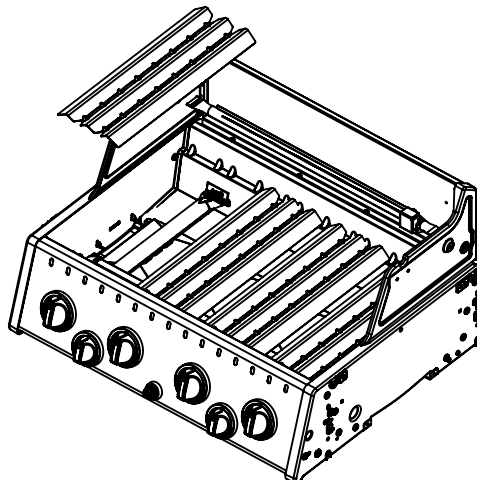
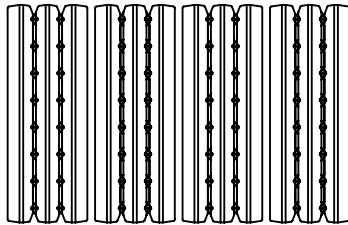
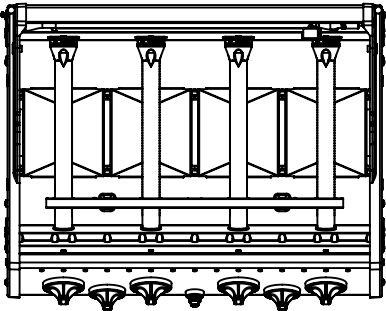




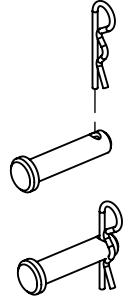
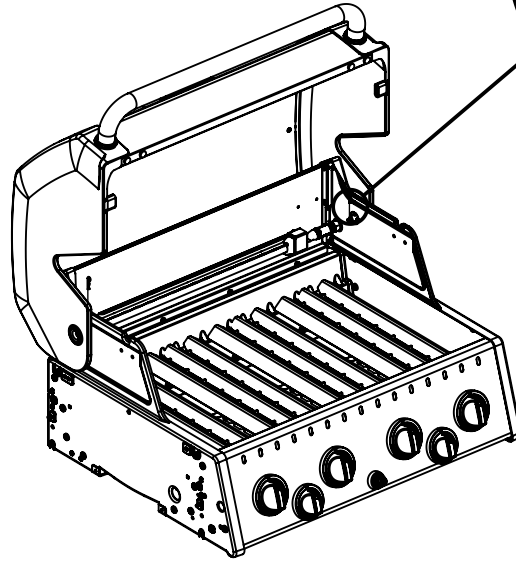
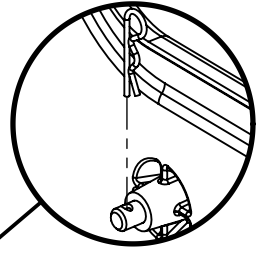
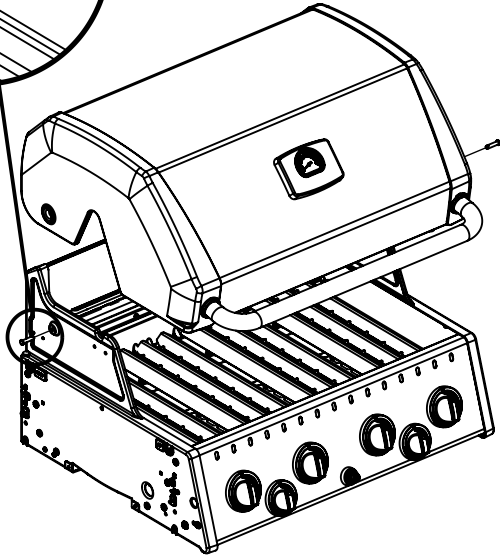
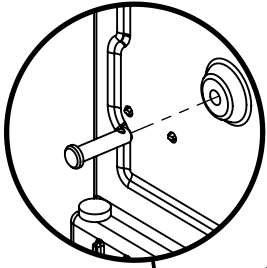
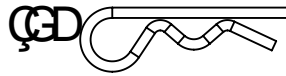
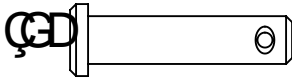
&\$



&%



&&



&

