

This Owner's Manual is provided and hosted by [Appliance Factory Parts](#).



Permasteel PS-205-80QT Owner's Manual

[Shop genuine replacement parts for Permasteel
PS-205-80QT](#)



[Find Your Permasteel Other Parts - Select From 22 Models](#)

----- Manual continues below -----

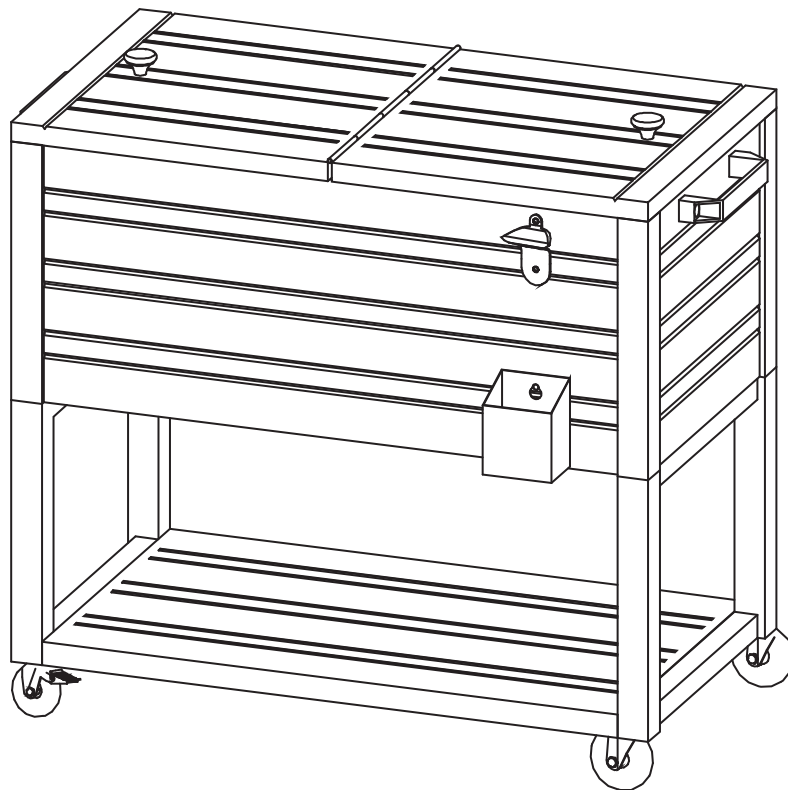
Owner's Manual
CONTACT US

Questions? Need parts?
We are here to help!

Permasteel Customer Service
Tel:888-287-0735
Fax:909-287-0733
Email:service@permasteel.net

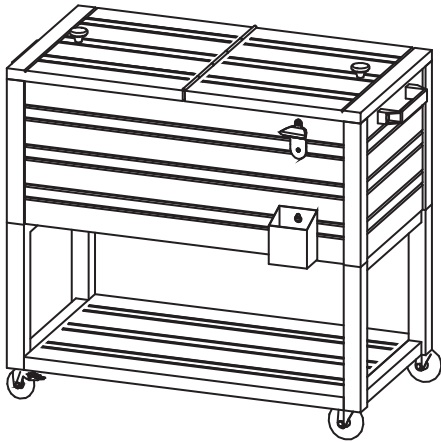
Monday-Friday
8:00am-5:00pm (Pacific Standard Time)

Owner's Manual

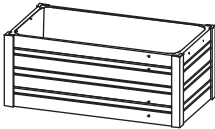

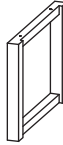
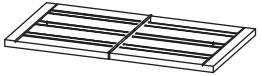
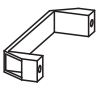


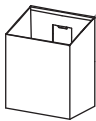




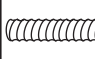
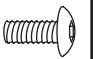
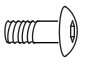
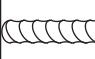
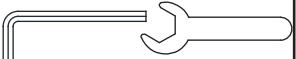


80QT STEEL COOLER
MODEL:PS-205-80QT

80QT Rustic Furniture Style Cooler



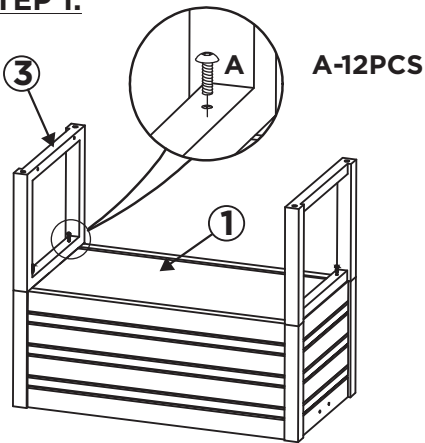
PARTS AND HARDWARE LIST

① Basin	② Shelf	③ Leg Frame	④ Lid				
							
X 1PC	X 1PC	X 2PCS	X 1PC				
⑤ Handle	⑥ Knob	⑦ Bottle Opener	⑧ Cap Catcher	⑨ Caster	⑩ Caster w/ Brake		
							
X 2PCS	X 2PCS	X 1PC	X 1PC	X 2PCS	X 2PCS		
Tools Required for Assembly		A Bolt	B Bolt	C Bolt	D Shoulder Bolt	E Screw	TOOLS INCLUDED
							
Phillips Screwdriver		M6x13mm X 14PCS	M6x20mm X 4PCS	M6x16mm X 4PCS	M6x15mm X 2PCS	M4x30mm X 2PCS	X 1PC X 1PC

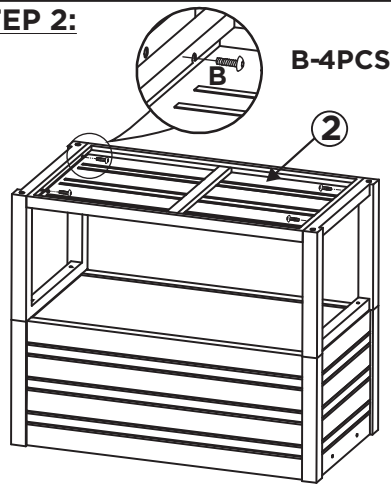
Power tools are not recommended while assembling this product.

ASSEMBLE ON SMOOTH AND EVEN SURFACE

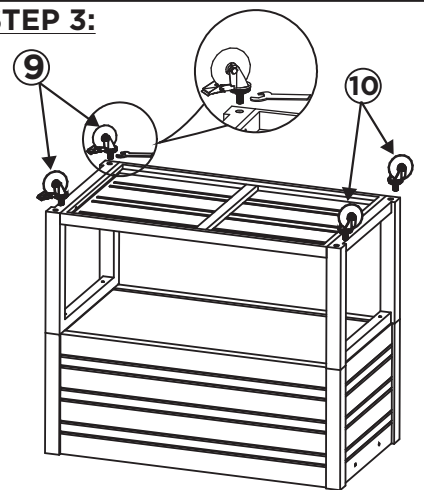
STEP 1:



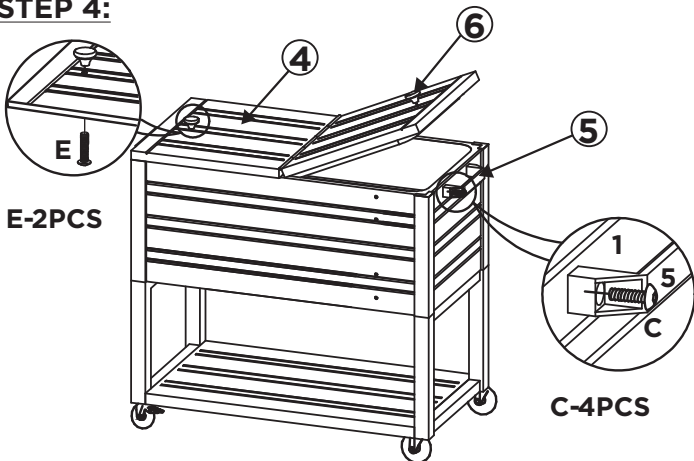
STEP 2:



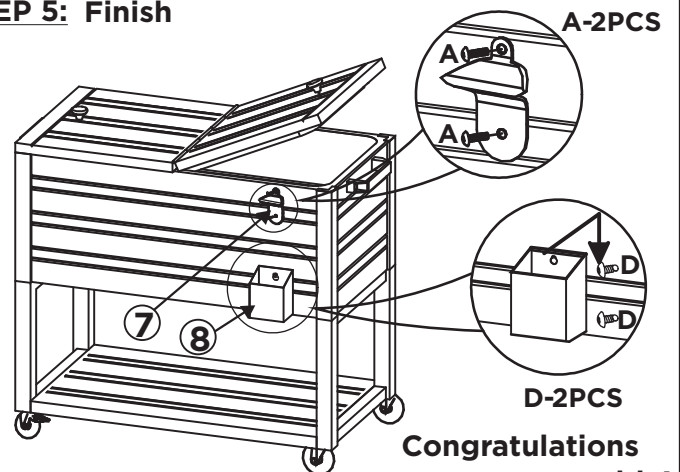
STEP 3:



STEP 4:



STEP 5: Finish



Congratulations on your assembly!