

OMC

ASSEMBLY MANUAL & PARTS LIST • MANUEL DE MONTAGE & LISTE DE PIÈCES • MANUAL DE ARMADO Y LISTA DE PARTES



STERLING 565384/87
565344/47

HUNTINGTON 365384/87
365344/47

BROIL-MATE 765384/87
765344/47



STERLING 565284/87

HUNTINGTON 365284/87

BROIL-MATE 765284/87



STERLING 565364/67
565324/27

HUNTINGTON 365364/67
365324/27

BROIL-MATE 765364/67
765324/27



STERLING 565264/67

HUNTINGTON 365264/67

BROIL-MATE 765264/67



STERLING 565354/57

HUNTINGTON 365354/57

BROIL-MATE 765354/57



STERLING 565254/57

HUNTINGTON 365254/57

BROIL-MATE 765254/57



STERLING 565954T/57T

RETAIN FOR FUTURE REFERENCE • VEUILLEZ CONSERVER POUR REFERENCE ULTERIEURE • CONSERVAR PARA FUTURAS CONSULTAS

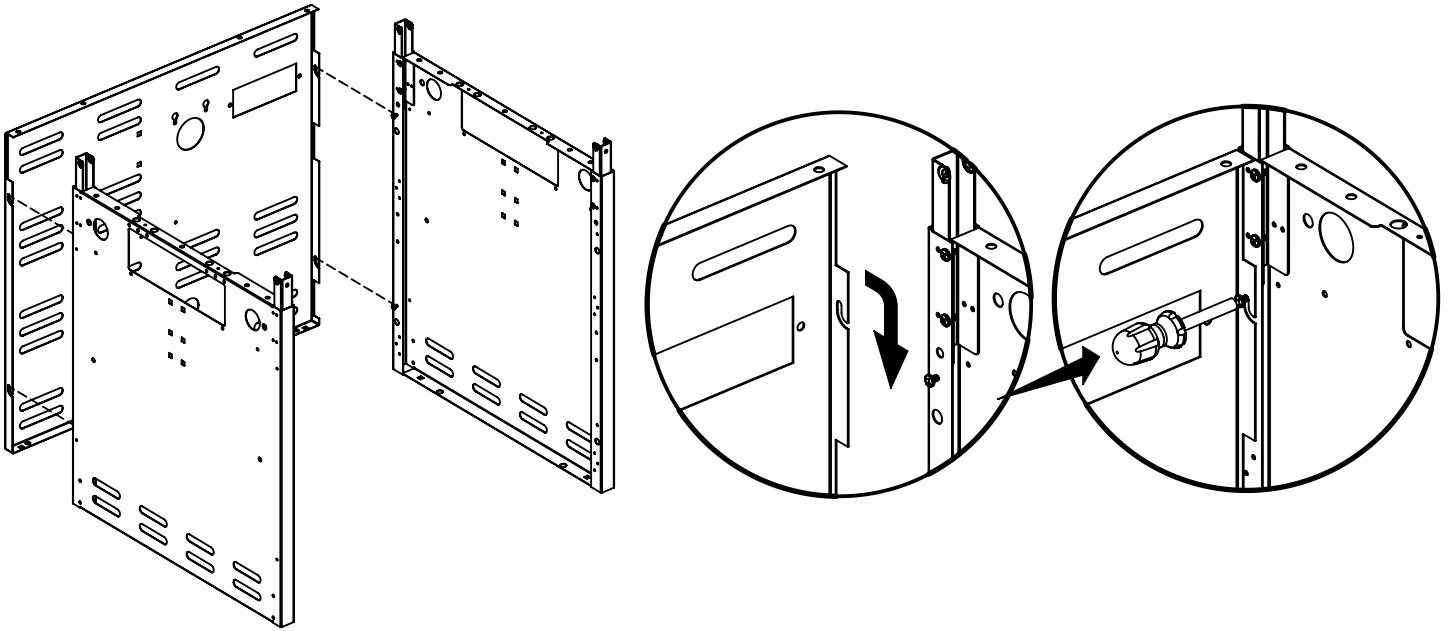
1-800-265-2150

info@omcbbq.com

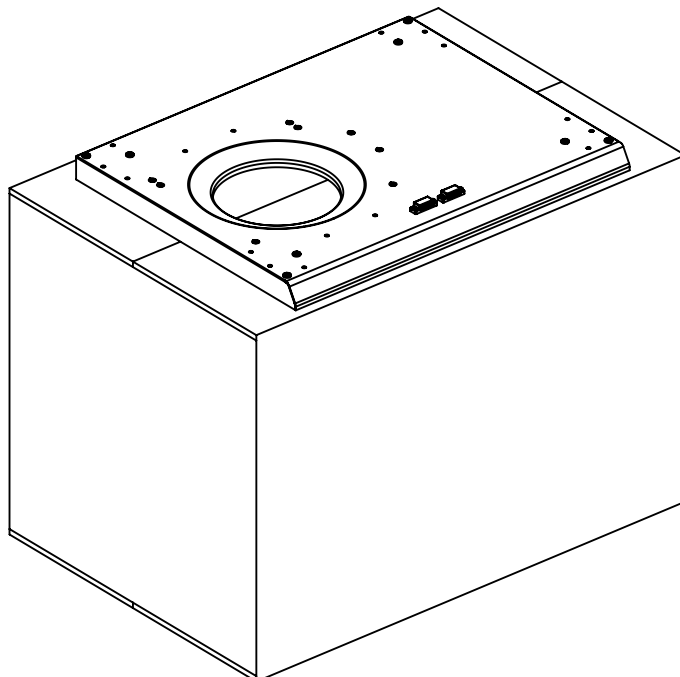
Onward
MANUFACTURING COMPANY
SINCE 1906
1000 EAST MARKET STREET
HUNTINGTON, INDIANA, 46750, USA

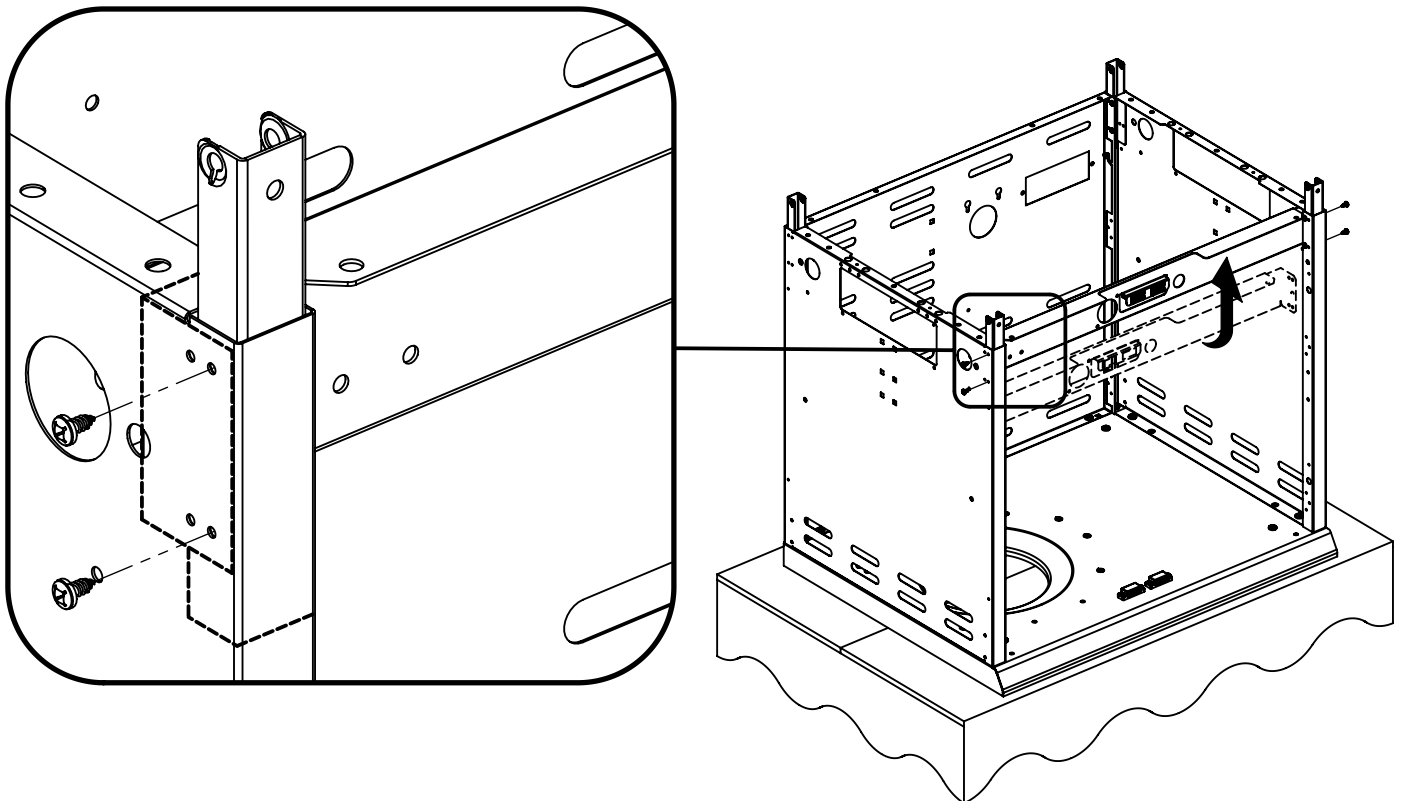
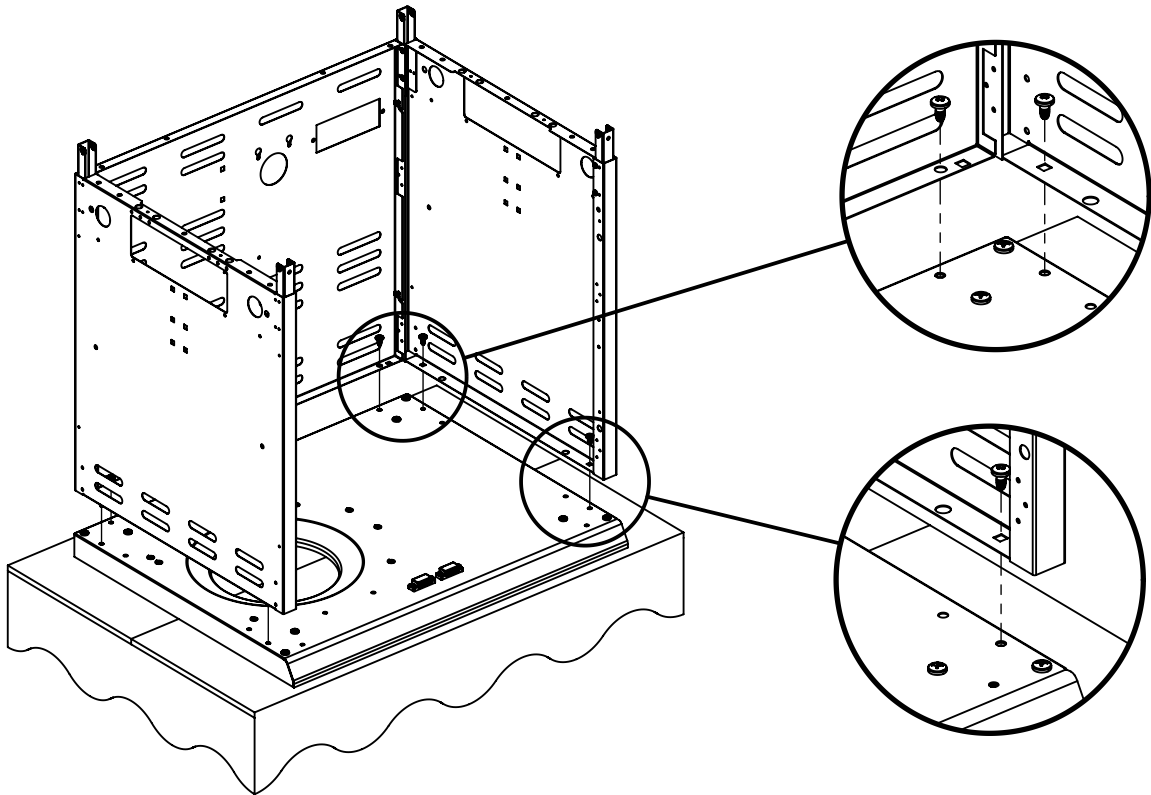
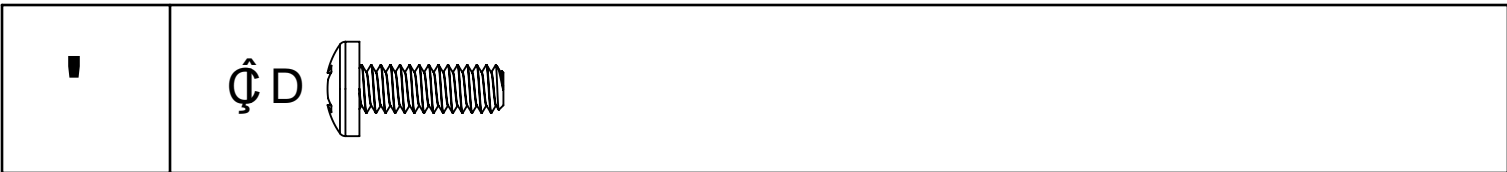
50084-E48 Rev C 11/17

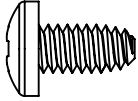
%

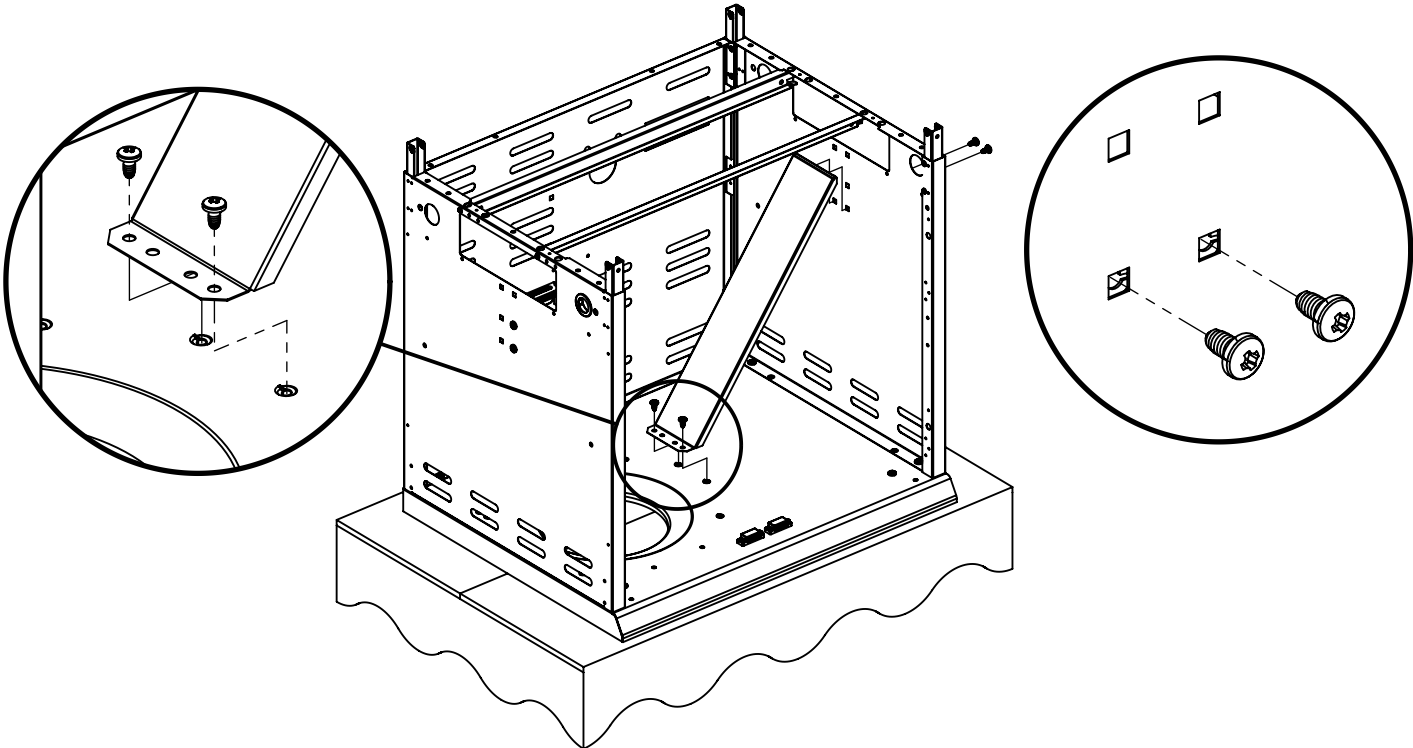


&

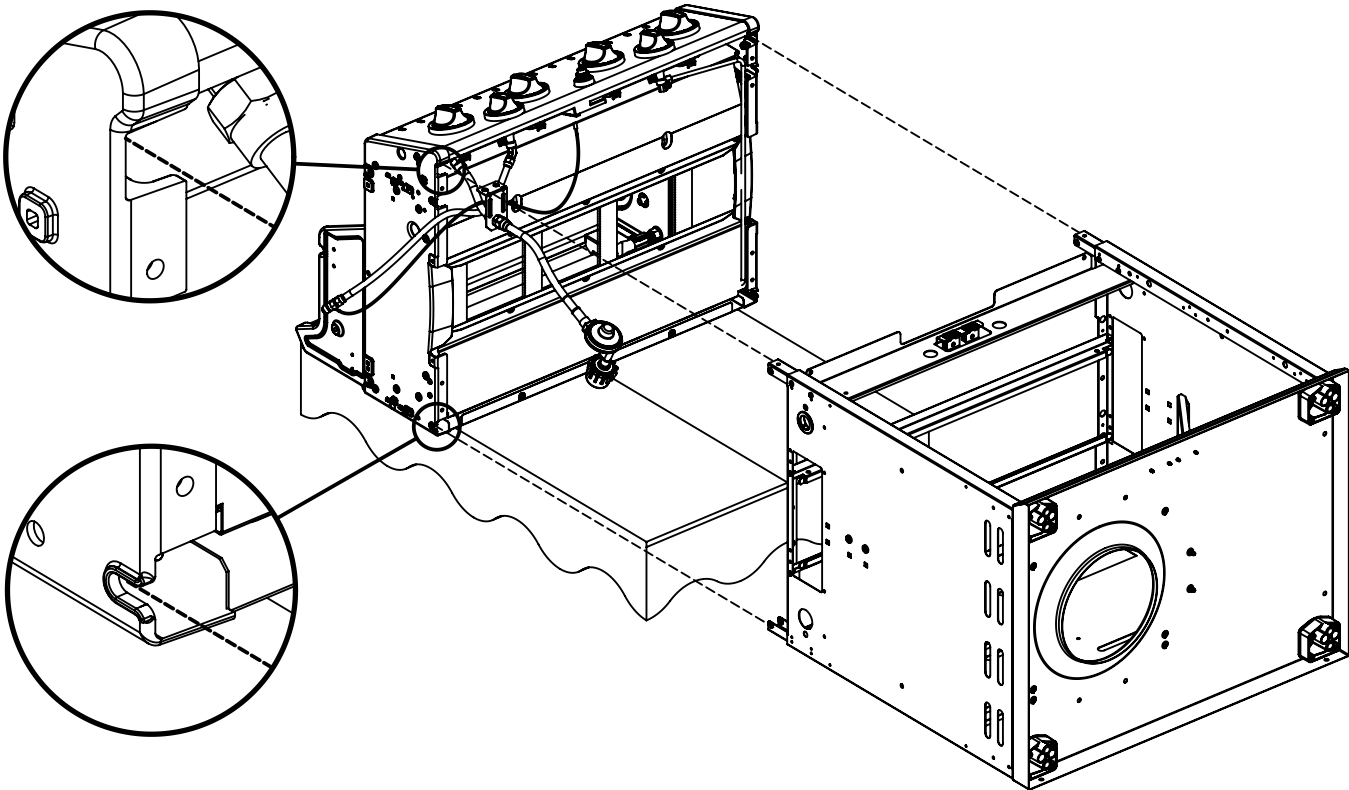


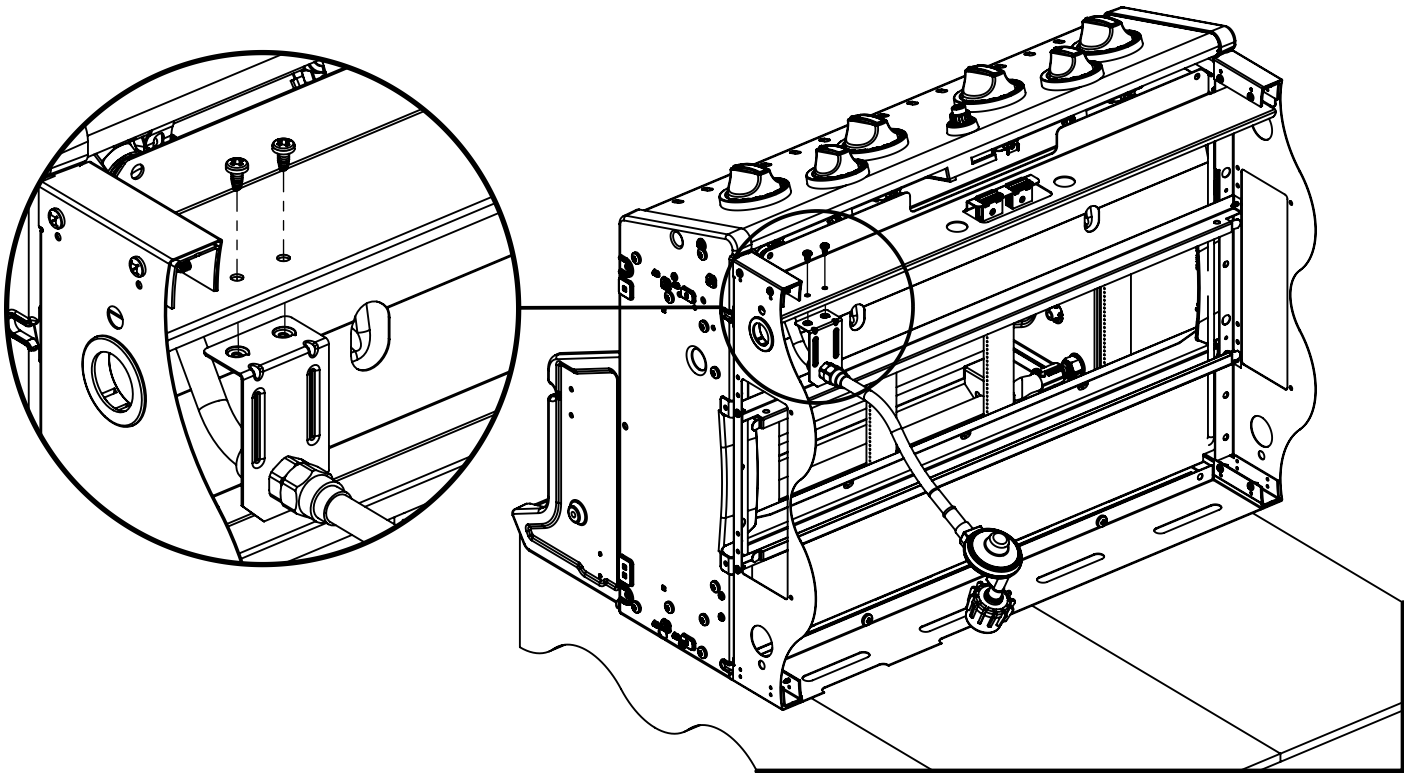
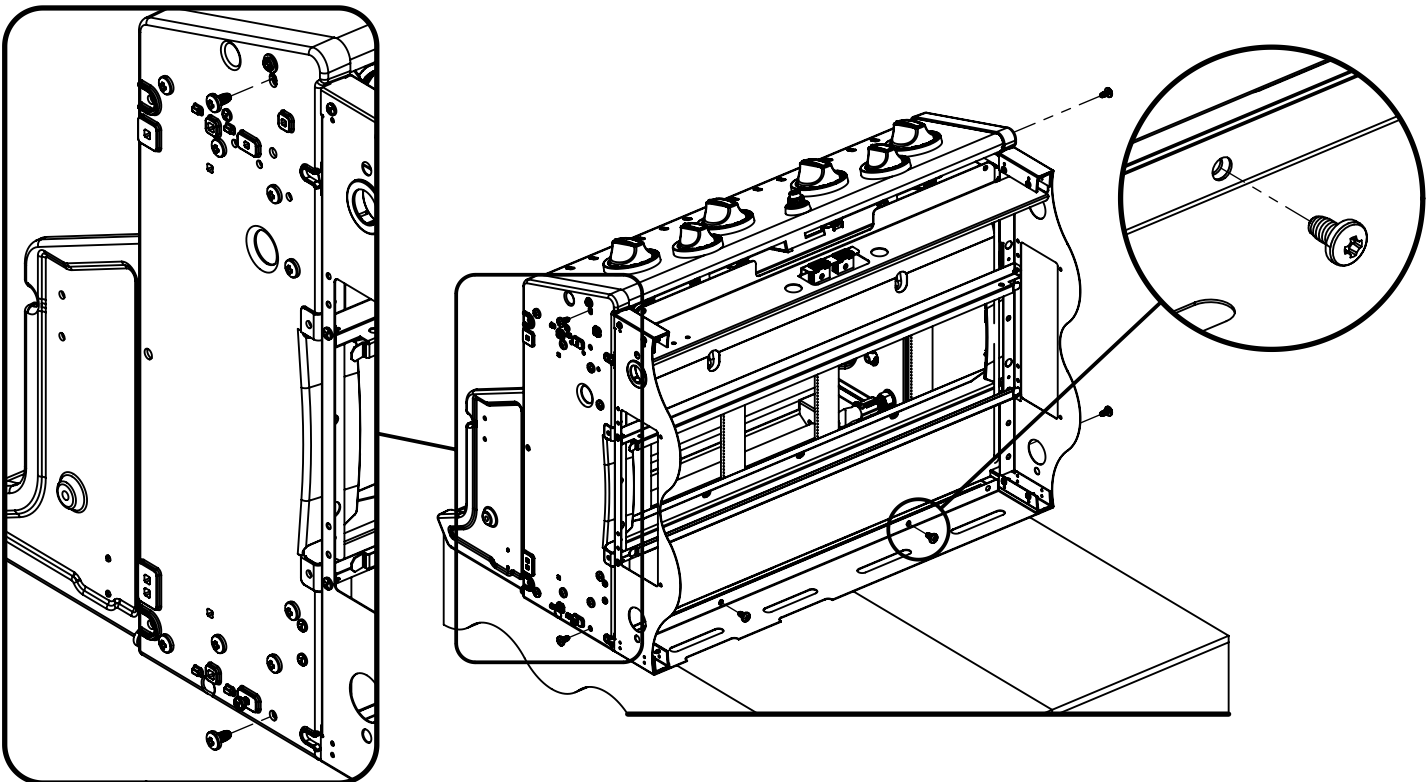


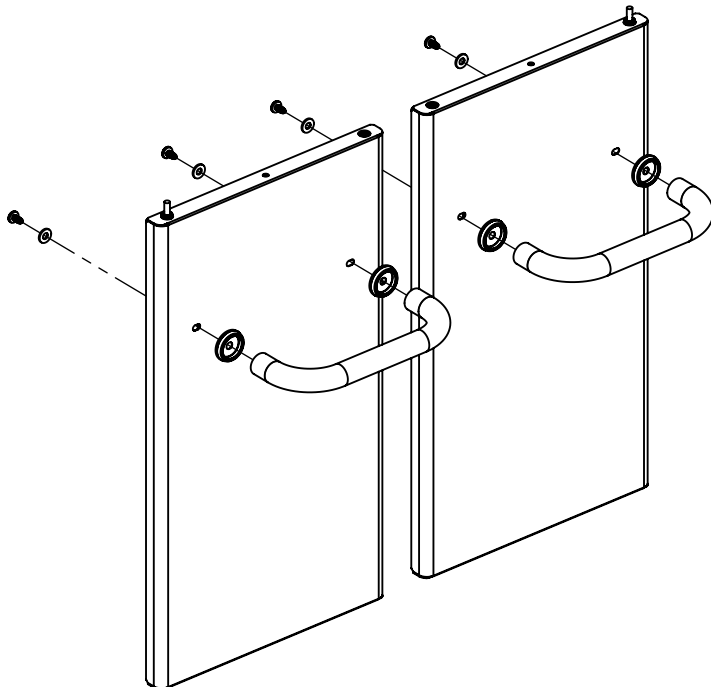
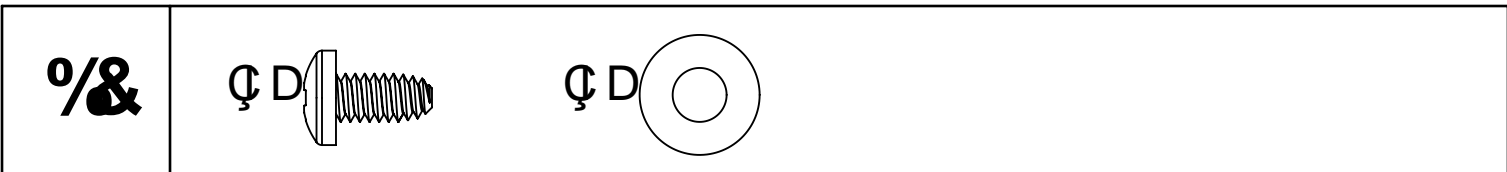
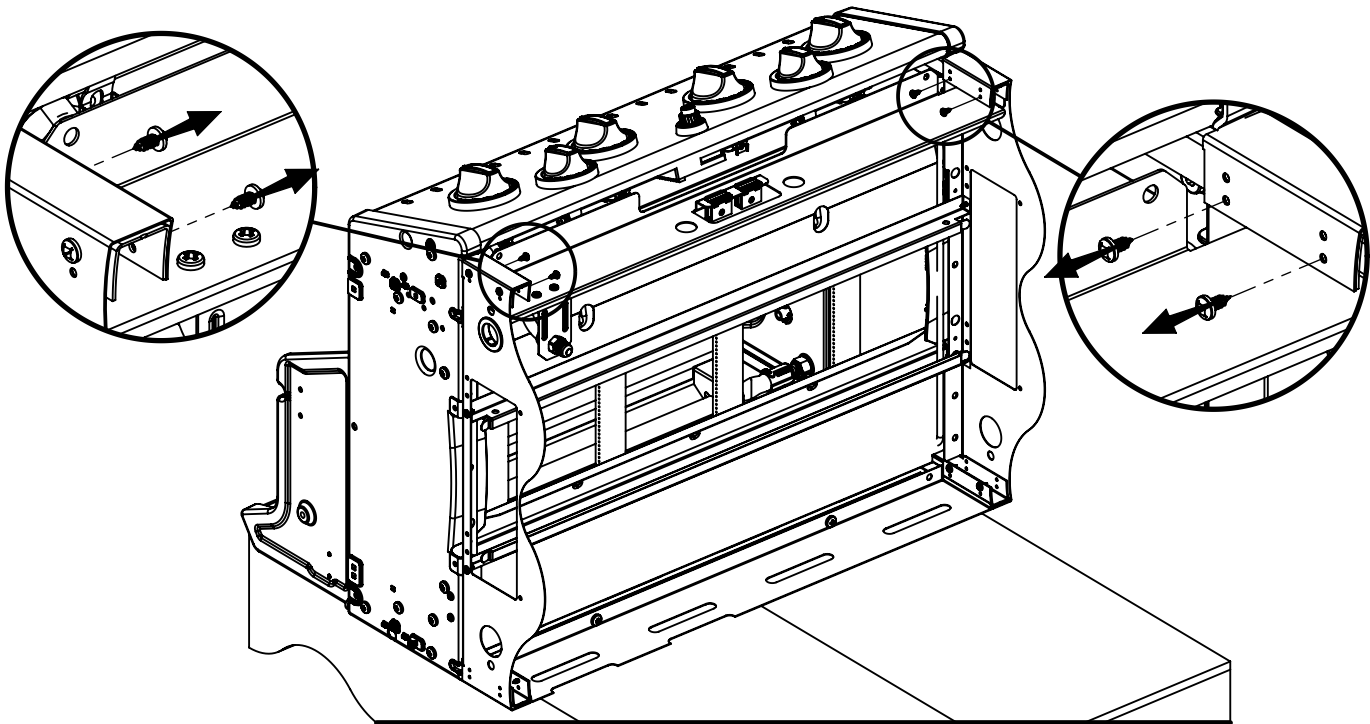
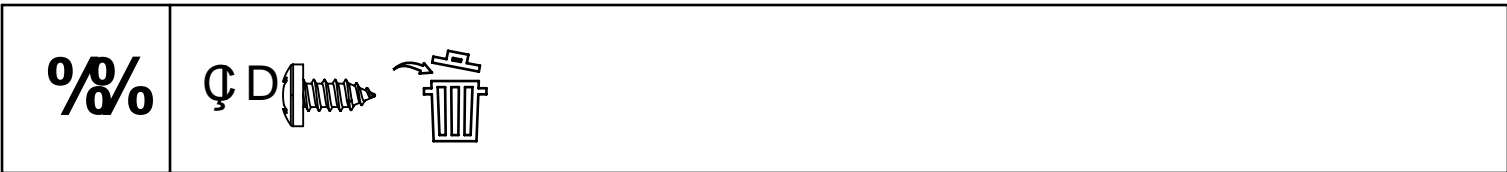
+	Ç D 
---	---

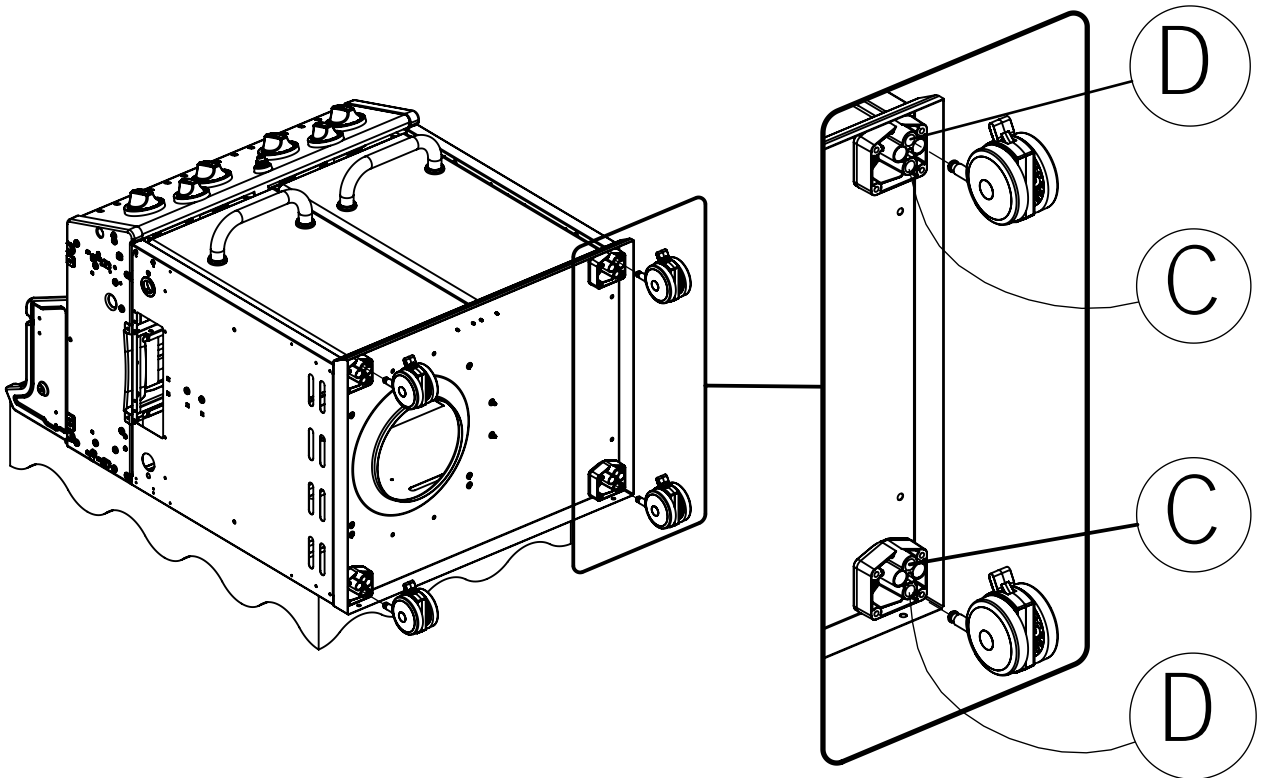
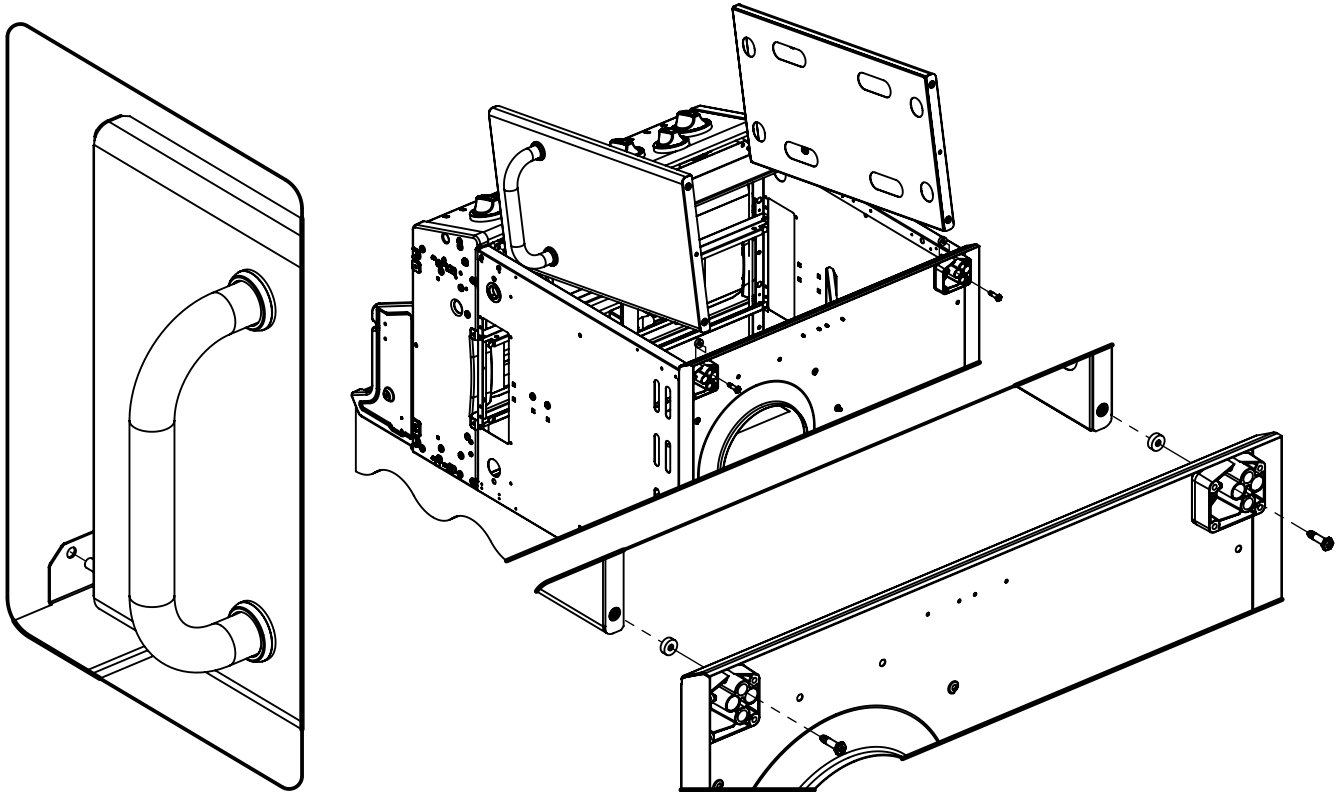
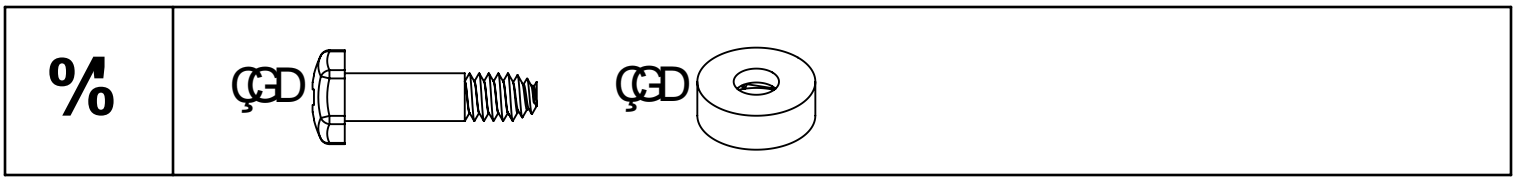


,	
---	--

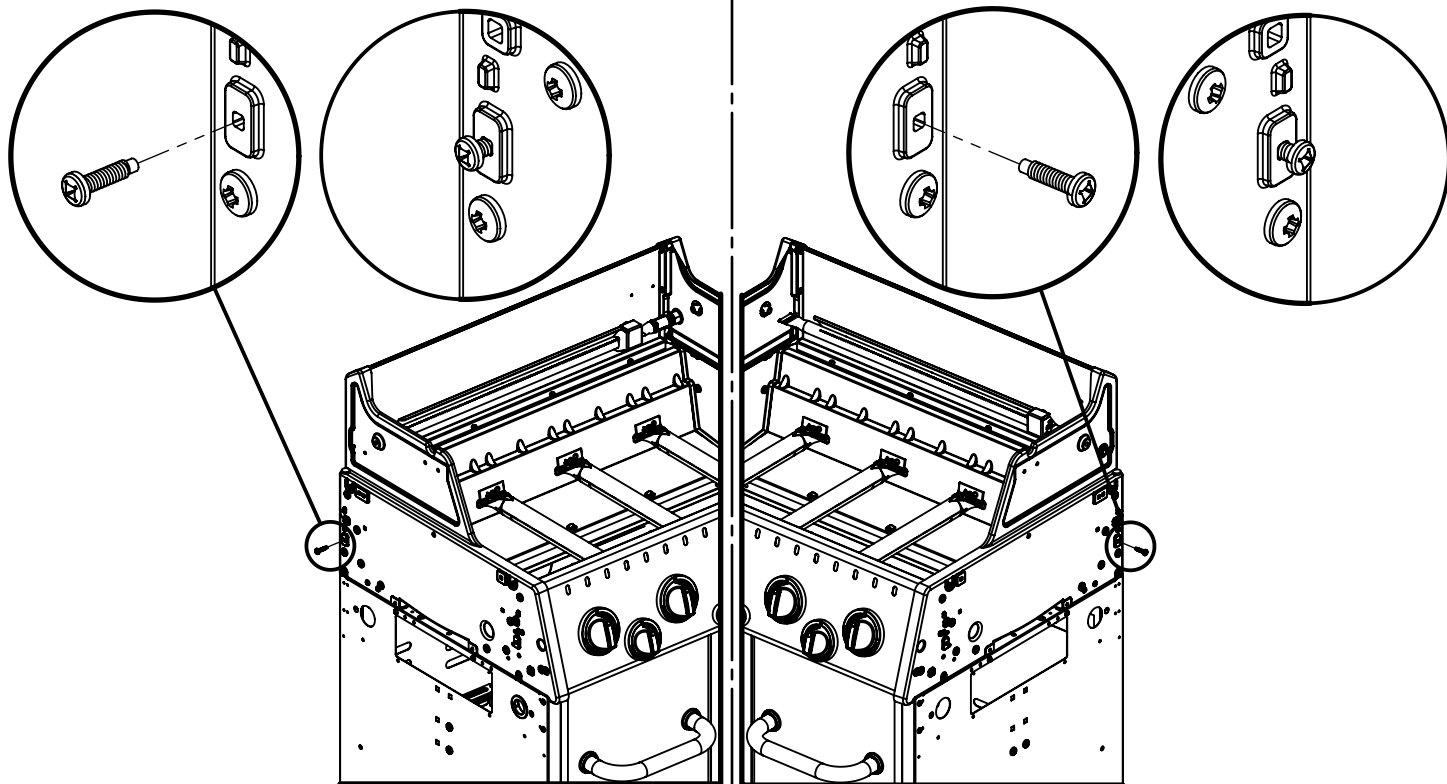
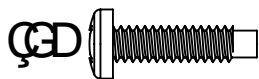




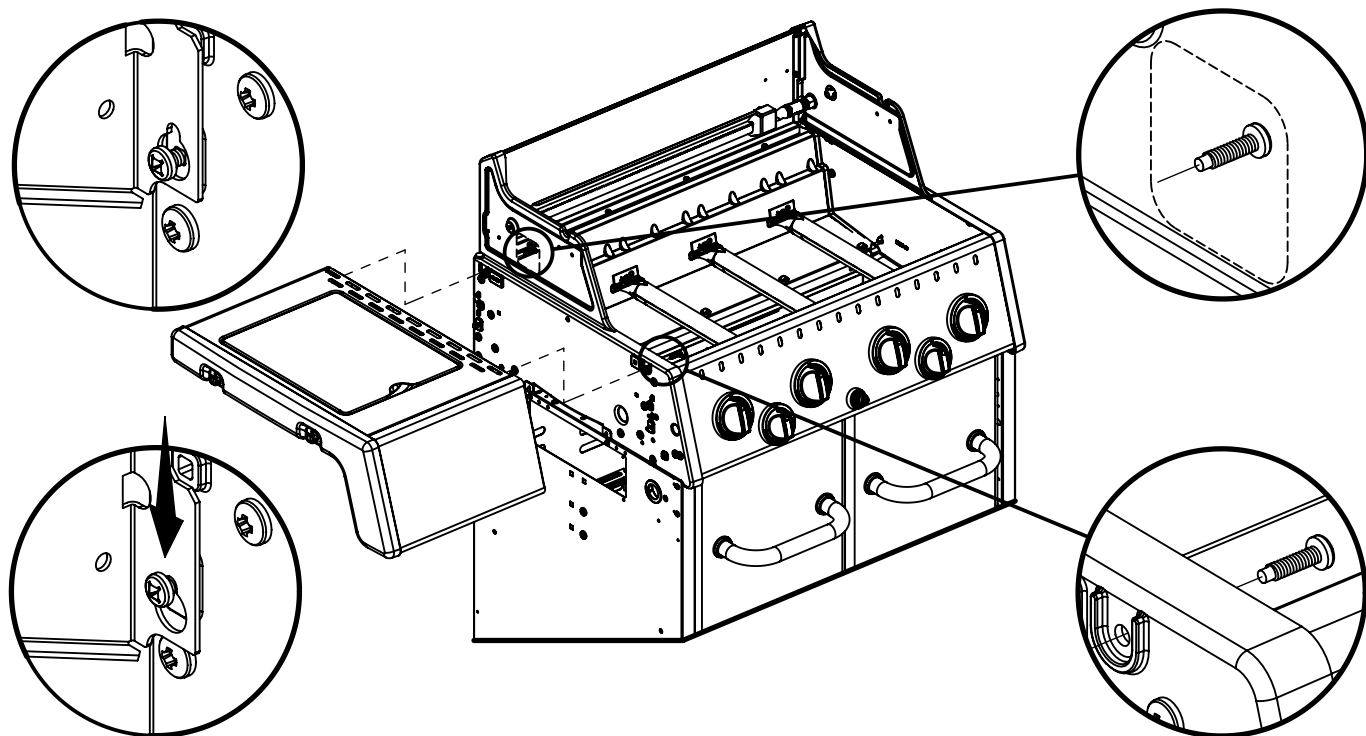
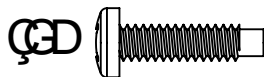


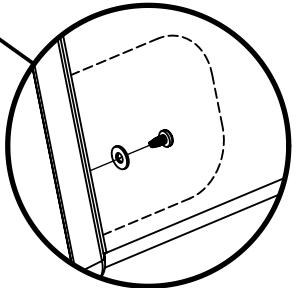
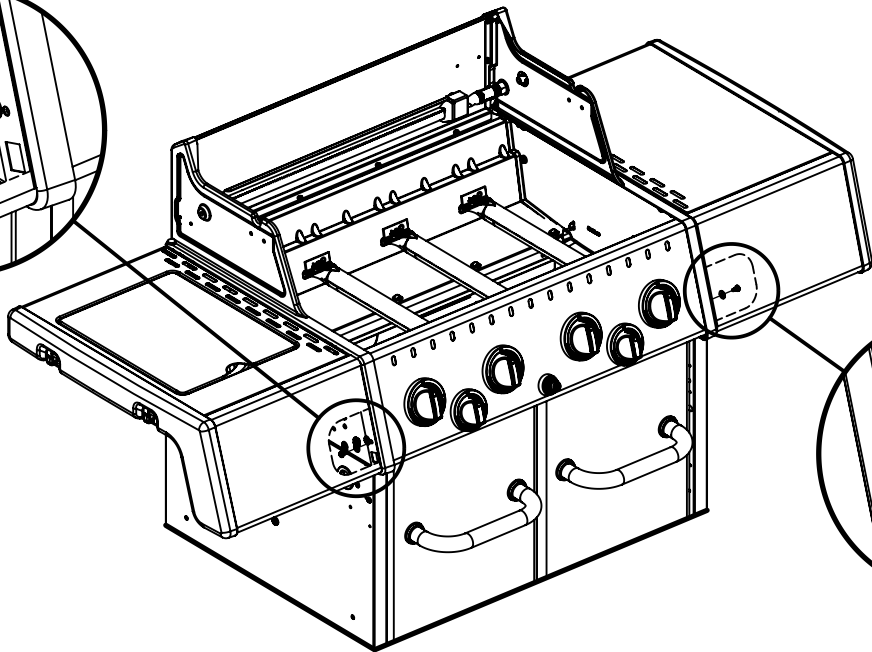
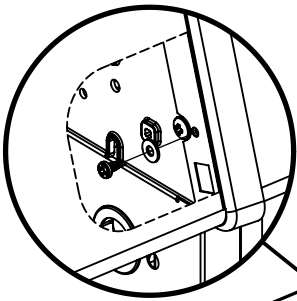
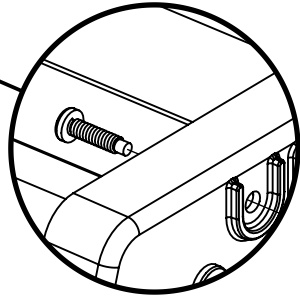
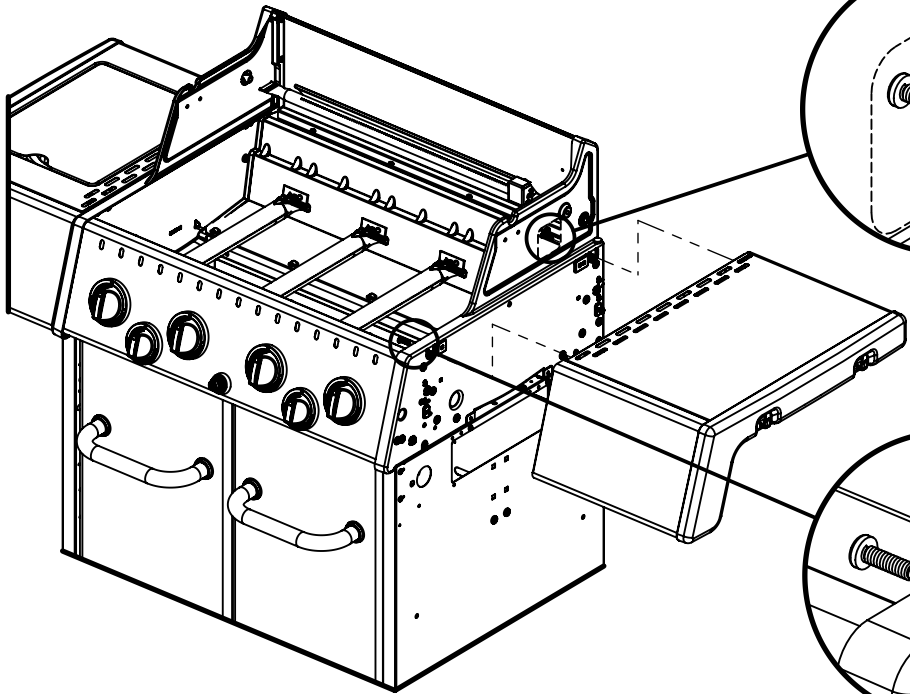
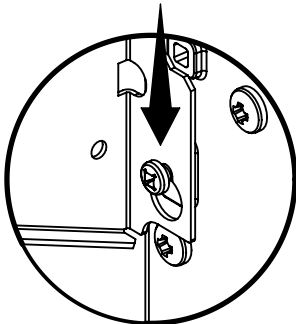
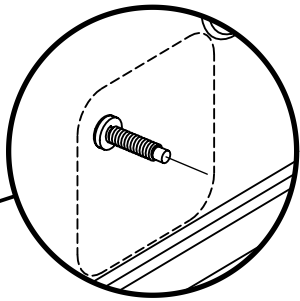
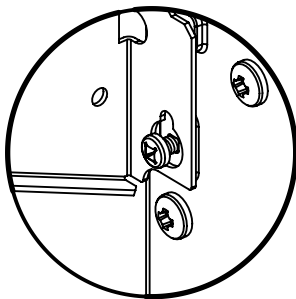


0/4

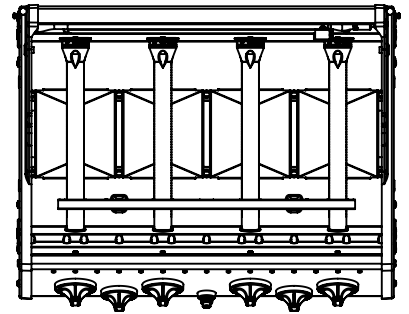
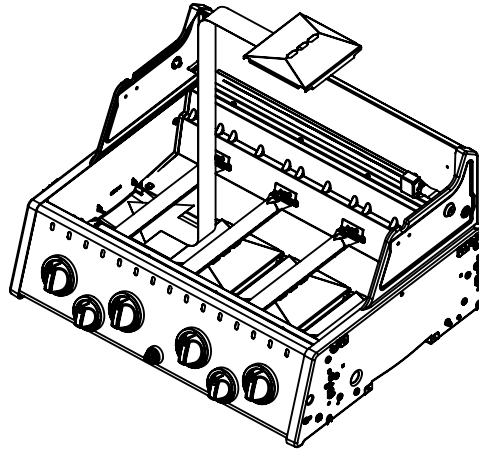
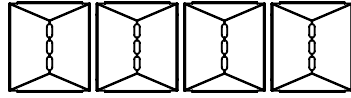
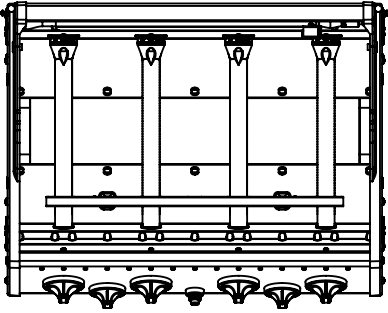


0/*

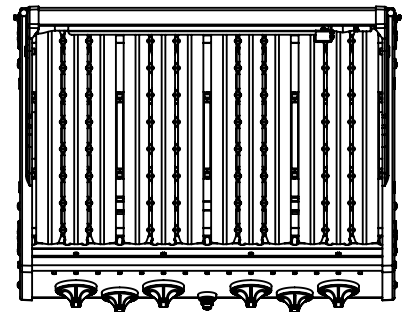
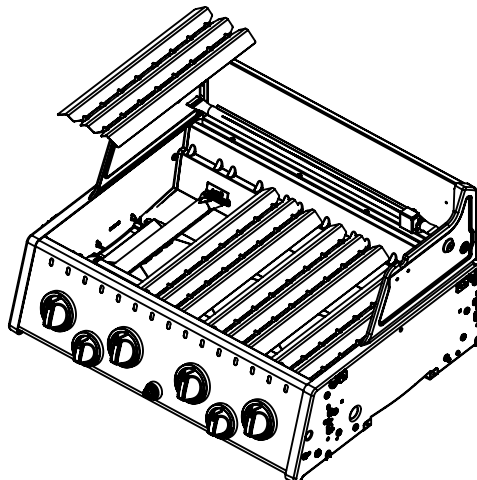
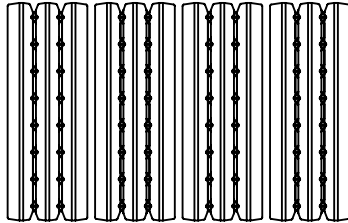
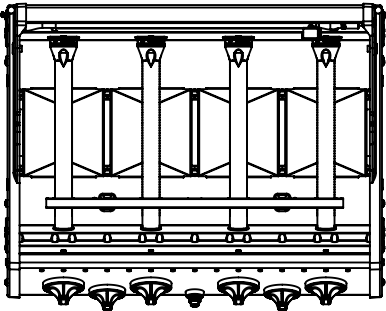




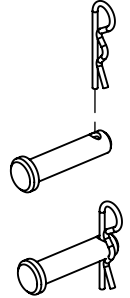
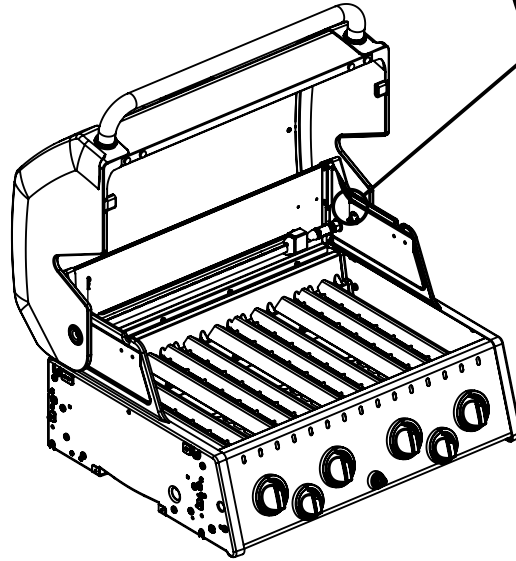
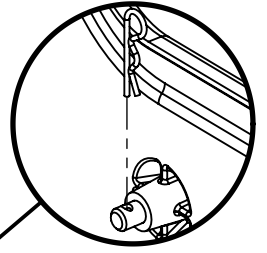
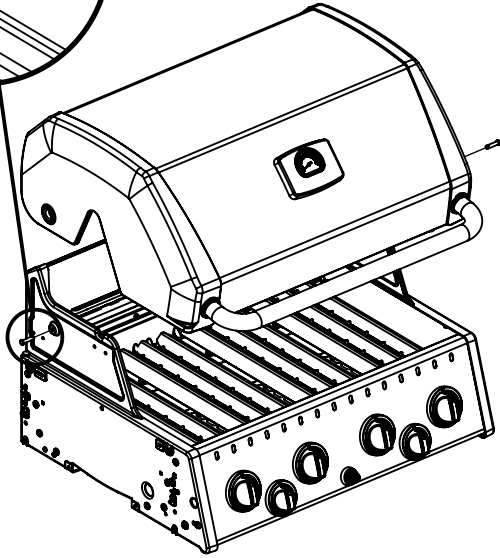
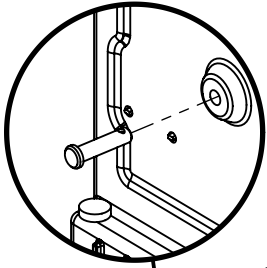
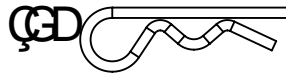
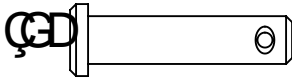
&\$



&%



&&



&

