

This Owner's Manual is provided and hosted by [Appliance Factory Parts](#).



Blackstone 1820 Owner's Manual

[Shop genuine replacement parts for Blackstone 1820](#)



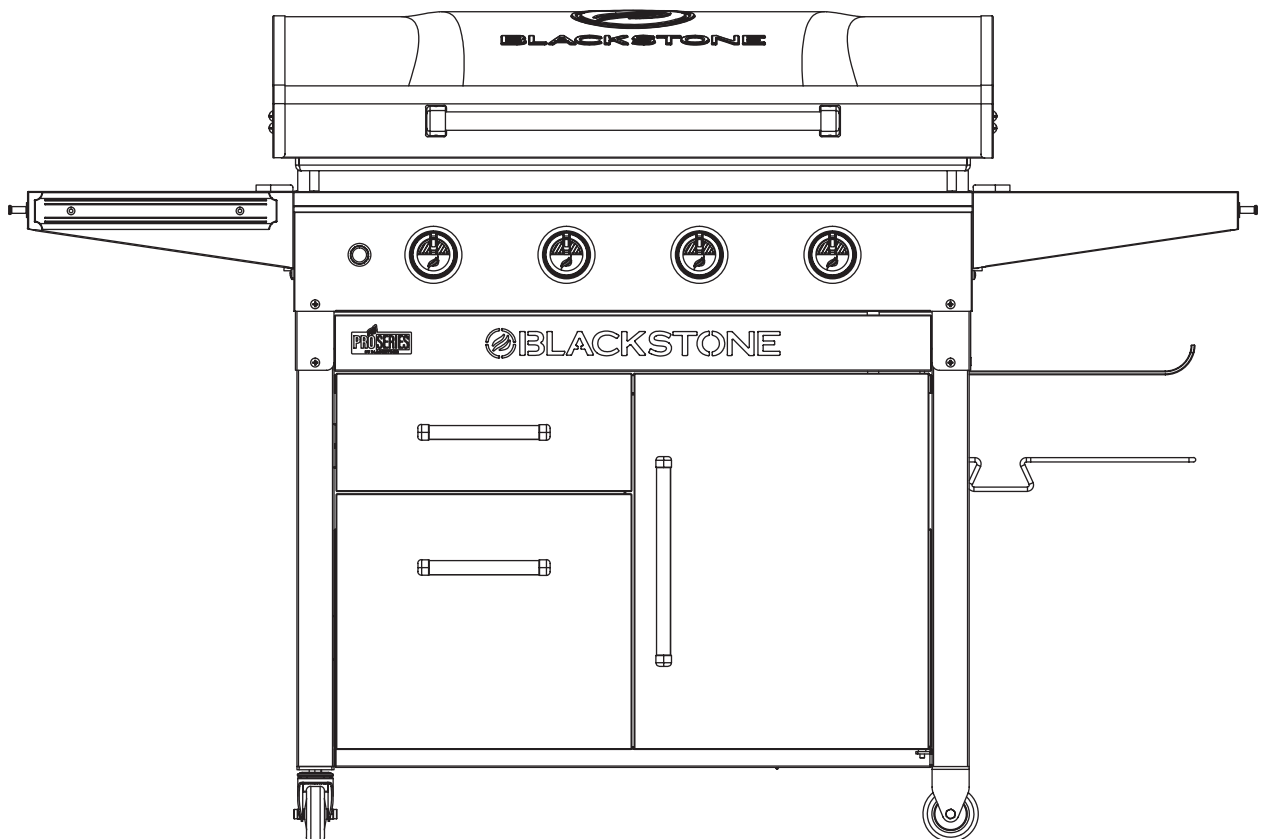
[Find Your Blackstone Grill Parts - Select From 9 Models](#)

----- Manual continues below -----

36" GRIDDLE COOKING STATION

Model 1820

CONFORMS TO ANSI Z21.89-2017 /
CERTIFIED TO CSA 1.18-2017 OUTDOOR
COOKING GAS APPLIANCES.





SAFETY ALERT KEY

Read and follow all the notices found throughout the manual.

DANGER

Indicates an imminently hazardous situation which, if not avoided, may result in death or serious injury.

WARNING

Indicates the possibility of serious bodily injury if the instructions are not followed.

CAUTION

Indicates a potentially hazardous situation which, if not avoided, may result in minor or moderate injury.

36" GRIDDLE COOKING STATION

Owner's Manual

It is the consumer's responsibility to see that the unit is properly assembled, installed, and maintained. Failure to follow the instructions in this manual could result in bodily injury and/or property damage.

Please read all sections of this manual carefully before assembly. Retain this manual for future reference.

CONTENTS

01. REGISTER YOUR PRODUCT	01
02. FOR YOUR SAFETY	02
Section 01. General Safety	02
Section 02. Griddle Safety Instructions	04
03. ASSEMBLY GUIDE	05
04. CARE & MAINTENANCE	12
Section 01. General Care	12
Section 02. Griddle Seasoning Instructions	14
Section 03. Cleaning the Burner Assembly	16
Section 04. Cleaning Your Griddle	18
05. FUEL PROPANE – 20LB. TANK	20
Section 01. 20lb. Liquid Propane Cylinder	20
Section 02. Connection & Removal	22
Section 03. Leak Test Instructions	24
06. IGNITION BATTERY POWERED	26
07. TROUBLESHOOTING	27
Section 01. Battery Powered Ignition Troubleshooting	27
Section 02. Griddle Gas Flow	28
08. F.A.Q.	30
09. WARRANTY	31



⚠ DANGER

IF GAS IS DETECTED:

1. Shut off gas to appliance.
2. Extinguish any open flame; do not operate any electrical appliances.
3. Ventilate area.
4. If odor continues, keep away from appliance and immediately call gas supplier or fire department.

⚠ DANGER

Units are for outdoor use only!

⚠ WARNING

DO NOT store or use gasoline or other flammable liquids or vapors in the vicinity of this or any other appliance.

⚠ WARNING

This product may expose you to chemicals including phthalates (DEHP), which are known to the State of California to cause cancer. For more information, go to www.P65Warnings.ca.gov.

FOR YOUR SAFETY

Before proceeding, make certain that you understand the FOR YOUR SAFETY section of this manual. Hazardous fire or explosion may result if instructions are ignored.

Section 01 GENERAL SAFETY

PRECAUTIONS

- Do not operate this appliance any closer than 36 inches from any combustible construction, including walls and ceilings.
- Do not use this appliance under overhead combustible surfaces.
- When not in use, turn OFF appliance by closing the LP cylinder.
- If regulator fails in unit, it must be replaced with a Blackstone approved model and must only be replaced by a professionally licensed, authorized dealer. Failure to comply will void the warranty.

If the information in the above statements is not followed exactly, serious injuries, fire, or death may occur.

INSTALLATION SAFETY

This appliance is safety certified for use in the United States and/or Canada only. Do not modify for use in any other location. Modification will result in a safety hazard and void warranty.

Use this appliance, as purchased, only with LP (propane) gas and regulator/valve assembly supplied.

This appliance is not for use inside an RV.

This appliance is not for use in or on a boat.

Appliance installation must conform with local codes, or in the absence of local codes, with either the National Fuel Gas Code, ANSI Z223.1/ NFPA 54, Natural Gas and Propane Installation Code, CSA B149.1, or Propane Storage and Handling Code, B149.2, or the Standard for Recreational Vehicles, ANSI A 119.2/NFPA 1192, and CSA Z240 RV Series, Recreational Vehicle Code, as applicable.

SAFETY TIPS

- Never move this appliance while in operation or still hot.
- Use long-handled barbecue utensils and oven mitts to protect against burns and splatters.

If grease or other hot material drips from appliance onto valve, hose or regulator:

01. Turn off gas supply immediately.
02. Determine the cause and correct it.
03. Clean and inspect valve, hose and regulator before continuing.



⚠ WARNING

Adding a large amount of cold or frozen food (or food with significant water content) to a hot griddle may cause griddle to warp.

Section 02

GRIDDLE SAFETY INSTRUCTIONS

- Maximum weight on side shelf (if present) is 10 lbs.
- The grease tray must be removed and emptied after each use.
- Do not remove grease tray until griddle has completely cooled.
- Do not obstruct the flow of combustion and ventilation air.
- Clean griddle often, preferably after each use. (Please reference the Cleaning Your Griddle section of the Care & Maintenance chapter.)



WARNING

The manufacturer has made every effort to eliminate any sharp edges. However, you should handle all components with care to avoid accidental injury.

Some parts may contain sharp edges, especially as noted in these instructions. Wear protective gloves if necessary.

WARNING

The use of alcohol, prescription or non-prescription drugs may impair the consumer's ability to properly assemble or safely operate the appliance.

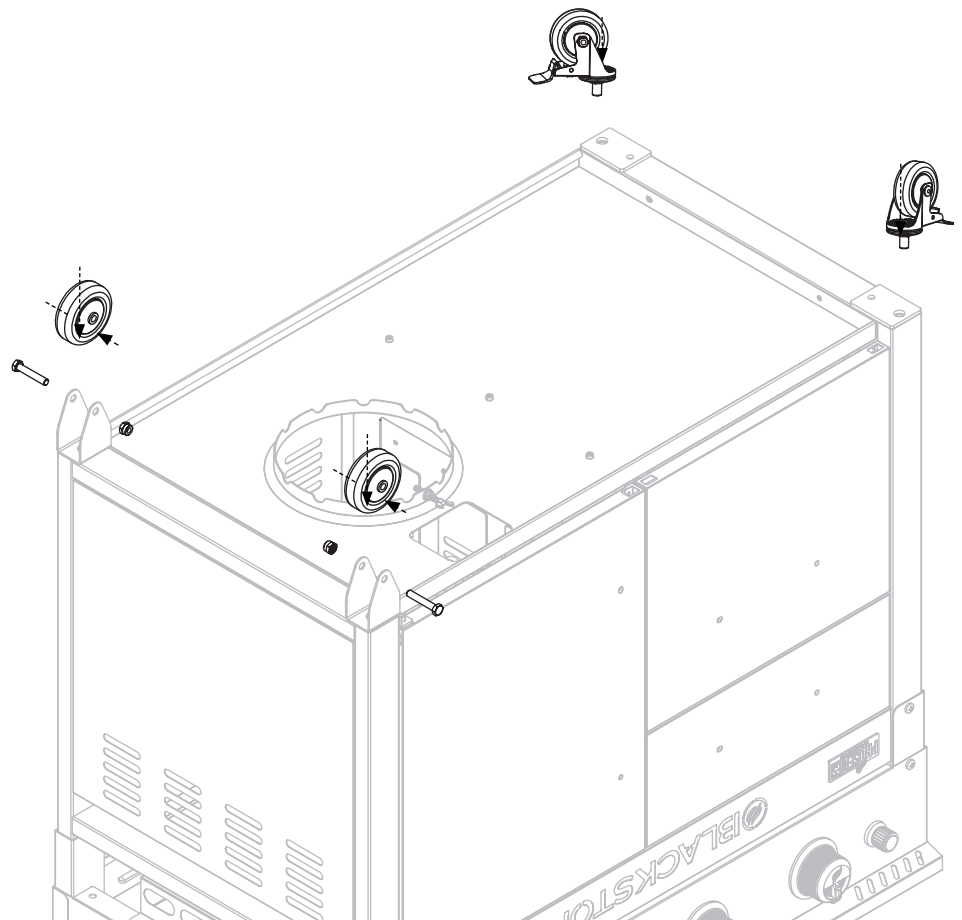
ASSEMBLY INSTRUCTIONS

Please read all instructions thoroughly before proceeding. Make sure all the plastic packing material is removed before assembling

Find a large, clean area to assemble your griddle. Please refer to the parts list and assembly diagrams as necessary.

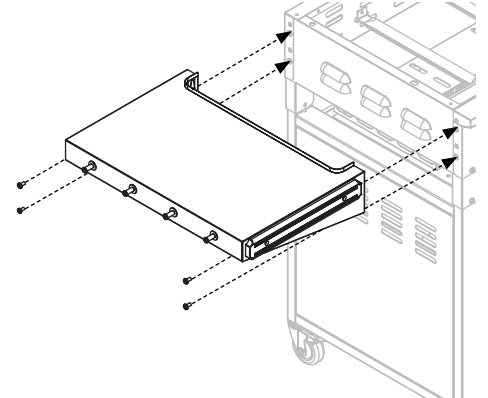
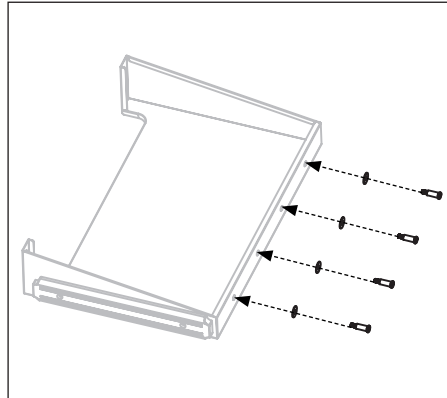
Griddle assembly involves large components; therefore, **it is advised to have two people assemble the unit.**

STEP 01 With the help of another person, remove the griddle body from the packaging and lay it upside down on a smooth flat surface. Unscrew the bolt and nut from the wheels and attach them to the left side of the griddle base. Next lock the caster wheels and use a wrench to tighten them into the right side of the griddle base.

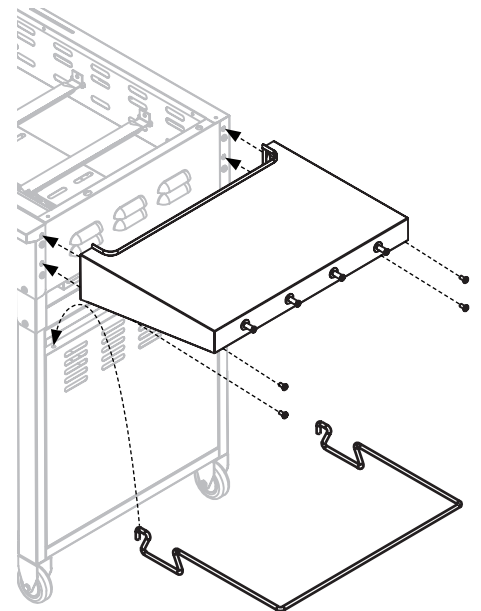
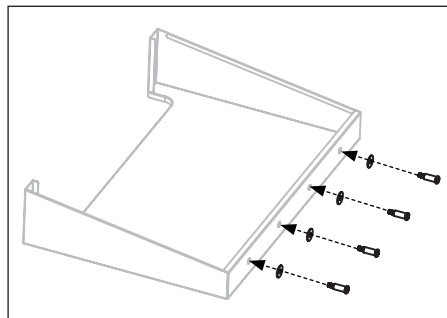




STEP 04 Assemble the left side shelf by first unscrewing the four (4) metal pegs and washers from the backside of the side shelf. Then, attach the four (4) metal pegs and four (4) washers to the front of the side shelf. Then, attach the left side shelf with four (4) gray M6X12 bolts to the griddle body.

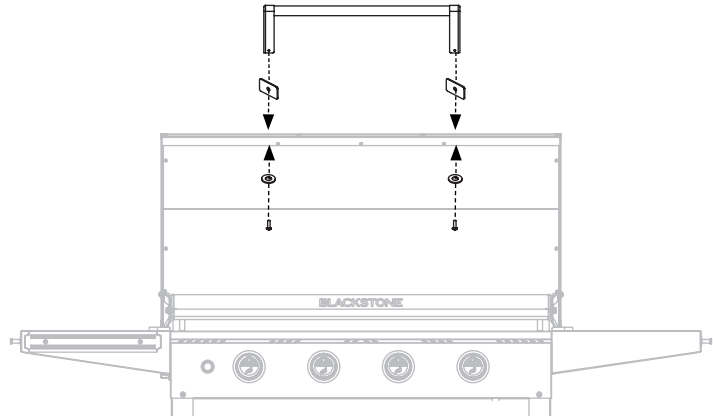


STEP 05 Unscrew the four metal pegs and four (4) washers from the back of the right side shelf and attach them to the front. Attach shelf to the right side of the griddle body with four (4) gray M6X12 bolts. Then, place the garbage bag holder into the corresponding holes in the griddle body.

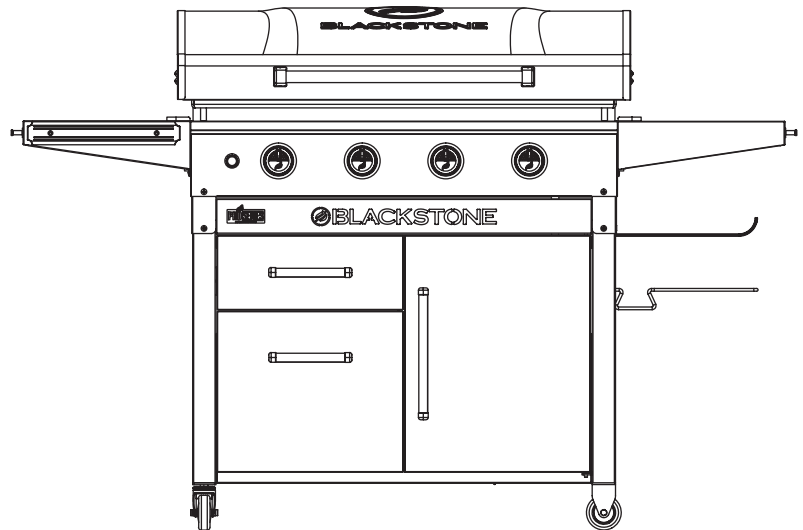




STEP 08 Attach the handle on to the griddle hood with four (4) M6X20 bolts and four (4) washers from the inside of the hood and two (2) mica sheets from the top. Connect the 20lb propane tank (not included). (Please reference the Connection & Removal section of the Fuel | Propane – 20lb. Tank chapter.)



STEP 09 Proceed to the Griddle Seasoning Instructions section of the Care & Maintenance chapter. Enjoy cooking outdoors on your Blackstone 36" Pro Series Griddle Cooking Station!





DANGER

NEVER operate this appliance within 10ft (3.0 m) of any structure, combustible material or other gas cylinder. **NEVER** operate this appliance within 25ft (7.5 m) of any flammable liquid.

WARNING

The LP bottle/tank must be disconnected when the appliance is not in use and must not be stored in the vicinity of this or any other appliance.

WARNING

When not in use, turn unit controls and gas source OFF.

WARNING

This appliance will be hot during and after use. Use insulated oven mitts or gloves for protection from hot surfaces or splatter from cooking liquids.

CAUTION

NEVER handle hot parts with unprotected hands.

CARE & MAINTENANCE

Regularly clean your appliance between uses, especially after extended periods of storage. In order to extend the life and condition of unit, follow best practices detailed in this manual.

Section 01

GENERAL CARE

VALVE CHECK

Ensure gas is off at LP cylinder before checking valves. Knobs must be locked in OFF position.

01. To check valves, push in knobs and release. Knobs should spring back.
02. If knobs do not spring back, replace valve assembly before using appliance.
03. Rotate knobs to LOW position then turn back to OFF position. Knobs should turn smoothly.

FITTINGS & HOSES

Annual checking and tightening of metal fittings is recommended.

Before each use, check to see if hoses are cut or worn. Replace damaged hoses before using appliance. Use only Blackstone approved replacement parts for valve, hose, or regulator.

GENERAL CLEANING

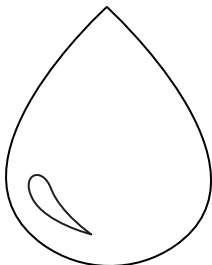
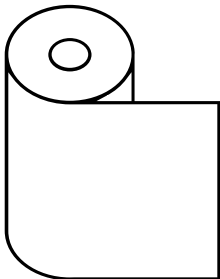
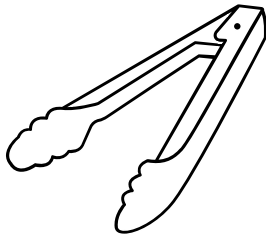
Ensure that the appliance and its components are sufficiently cool before cleaning.

- Baked-on grease deposits may require the use of an abrasive plastic cleaning pad. Use only in direction of brushed finish to avoid damage.
- DO NOT use abrasive pad on areas with graphics.
- If a bristle brush is used to clean any of the oven cooking surfaces, ensure no loose bristles remain on cooking surfaces prior to cooking.



CAUTION

Small variations in manufacturing and raw materials can cause some griddles to be slightly warped. A slight warp will disappear when the griddle is heated in preparation for cooking.



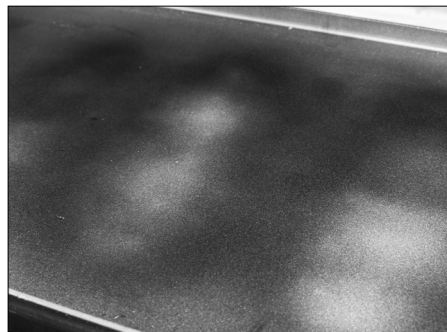
Section 02

GRIDDLE SEASONING INSTRUCTIONS

For best results, we recommended seasoning the griddle before cooking on griddle top.



STEP 01 Make sure griddle top is wiped clean of debris. (Please reference the Cleaning Your Griddle section)



STEP 02 Ignite griddle by following lighting instruction (Please reference the Ignition chapter). Turn all knobs to set burners to high. Wait for approximately 10–15 minutes until your griddle top starts to discolor.



STEP 03 Pour a light amount of cooking oil on griddle top. Any cooking oil will work. The amount of oil used depends on the size of griddle (refer to the measurement chart).

TOOLS NEEDED: Cooking Tongs, Paper Towels, and Cooking Oil



Section 03

CLEANING THE BURNER ASSEMBLY

Unit burners vary, however these instructions apply to all units. Clean burner assembly and check burner for damage. If any large cracks or holes are found, replace burner.

STEP 01 Turn gas OFF at control knobs and LP cylinder. Remove griddle top.



STEP 02 Carefully detach and remove the burner.



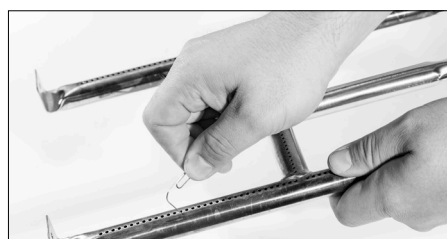
STEP 03 Run a narrow bottle brush through each burner tube several times. (Do not use wire brushes)

Additional Methods Include:

- a** Run a stiff wire bent into a small hook through each burner tube several times.
- b** Use an air hose to force air into burner tube and out burner ports. Check that air blows through each hole. (Wear eye protection)



STEP 04 Brush entire outer surface of burner to remove grime.



STEP 05 Clean any blocked ports with stiff wire such as an open paper clip. Then, carefully replace burners and reattach. Burner tubes must be reengaged with the valve openings.



⚠ DANGER

DO NOT place flammable items on side shelves near the griddle. Aerosol containers are particularly hazardous because **they can overheat and result in an explosion, fire, severe personal injury, or death.**

⚠ WARNING

DO NOT leave griddle unattended while preheating or burning off food residue. If griddle has not been regularly cleaned, a grease fire can occur that may cause serious injury or property damage.

⚠ WARNING

DO NOT place oily or greasy towels near the griddle unit as they can spontaneously combust.

Section 04

CLEANING YOUR GRIDDLE

STORING YOUR GRIDDLE

Store griddle in a cool, dry location. Always cover griddle if stored outdoors. Choose from a variety of griddle covers offered by Blackstone.

When protecting griddle with soft cover, use the “tenting” method to prevent water from accumulating on griddle top. “Tenting” involves placing an object (a bowl, tennis ball or PVC pipe) beneath soft cover in the center of griddle in order to allow water to slide off. “Tenting” helps prevent rust.

FIRST TIME CLEANING

GRIDDLE COOKING SURFACE:

Blackstone Griddles are pre-treated with cooking oil to prevent rust and damage during shipping. For first time use, wash griddle with hot, soapy water.

THIS IS THE ONLY TIME YOU SHOULD USE SOAP ON THE GRIDDLE COOKING SURFACE.

Rinse and dry completely. Proceed with seasoning instructions. (Please reference the Griddle Seasoning Instructions section)

TURNING GRIDDLE OFF

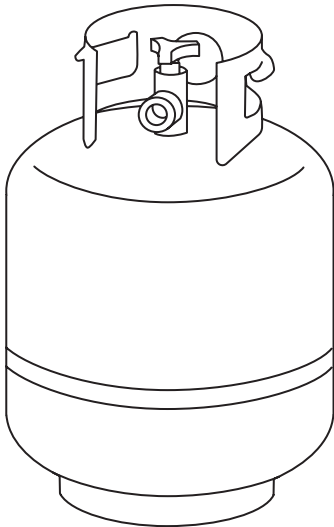
Turn all knobs to OFF position. Turn LP cylinder OFF by turning hand-wheel clockwise to a full stop.



⚠ WARNING

Fuels used in liquefied propane gas appliances, and the products of combustion of such fuels, can expose you to chemicals including benzene, which is known to the State of California to cause cancer and cause birth defects or other reproductive harm.

For more information go to www.P65Warnings.ca.gov.



FUEL | PROPANE - 20LB. TANK

Section 01

20LB. LIQUID PROPANE CYLINDER

LP (LIQUEFIED PETROLEUM GAS)

LP gas is nontoxic, odorless and colorless when produced. For safety and easy detection, LP gas has been given an odor similar to rotten cabbage.

LP gas is highly flammable and may ignite unexpectedly when mixed with air.

- The cylinder must be constructed and marked in accordance with the Specifications for LP - Gas Cylinders of the U.S. Department of Transportation (D.O.T.) or the National Standard of Canada, CAN/CSA-B339, Cylinders, Spheres, and Tubes or Transportation of Dangerous Goods; and Commission, as applicable.

20LB. LIQUID PROPANE CYLINDER REQUIREMENTS

- Check to be sure that cylinders have a D.O.T. Certification and that they have been date tested by a LP gas supplier within five years of use.
- All LP tank supply systems must include a collar to protect the cylinder valve.
- Use only a 18 x 12 inch, 20lb LP cylinder.

CANADIAN LIQUID PROPANE CYLINDER REQUIREMENTS

- The LP cylinder must be constructed and marked in accordance with the specifications for LP gas cylinders, T.C.



⚠ DANGER

Do not insert any tool or foreign objects into the valve outlet or safety relief valve. The valve may be damaged resulting in a leak. **Leaking propane may result in explosion, fire, severe personal injury, or death.**

If a leak is detected at any time, STOP and call the fire department.

If unable to stop a gas leak, immediately close LP tank valve and immediately contact an LP gas supplier or fire department.

⚠ WARNING

Do not insert a POL transport plug (plastic part with external threads) into the Type 1 tank valve outlet. It will defeat the Safety Relief Valve feature.



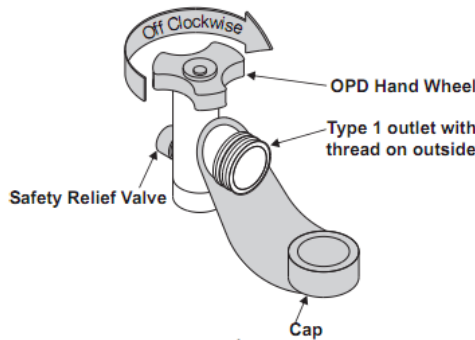
Section 02

CONNECTION & REMOVAL

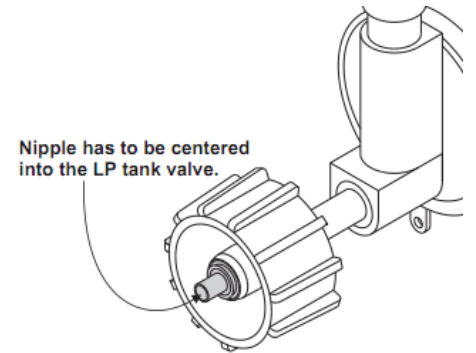
CONNECTING THE REGULATOR TO THE 20LB. LP TANK

Leak test new and exchanged LP tanks BEFORE connecting to griddle. Please reference the Leak Test Instructions section.

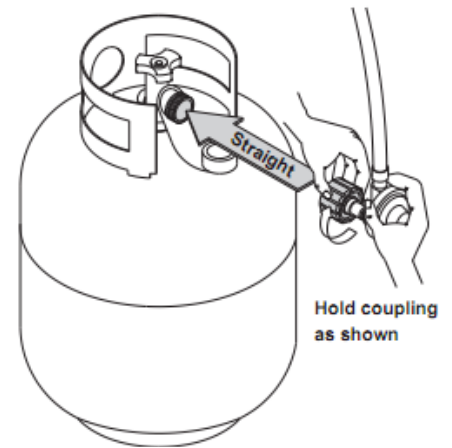
01. LP tank must be properly secured to griddle. (Refer to assembly section.)
02. Turn all control knobs to the OFF position.
03. Turn LP tank OFF by turning OPD hand wheel clockwise to a full stop.
04. Remove protective cap from LP tank valve.



05. Hold regulator and insert nipple into LP tank valve.



06. Hand-tighten the coupling nut, holding regulator in a straight line (see figure below) with LP tank valve so as not to cross thread the connection.





⚠ WARNING

If "growing" bubbles appear during leak test, do not use or move the LP bottle. Immediately contact an LP gas supplier or fire department.

⚠ CAUTION

DO NOT USE HOUSEHOLD CLEANING AGENTS. Damage to gas valve, hose, and regulator components may result.

FIGURE 01

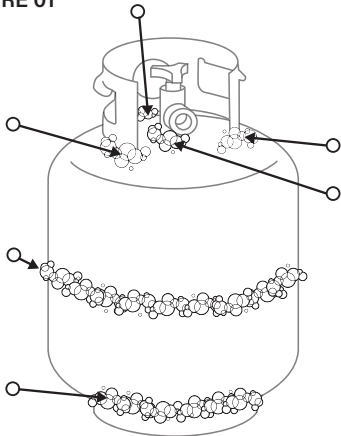
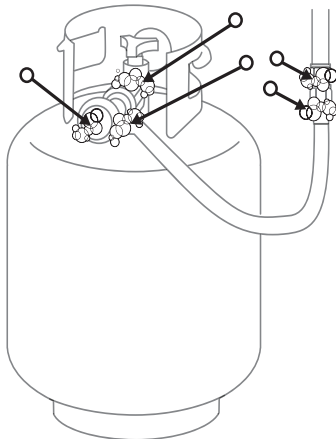


FIGURE 02



Section 03

LEAK TEST INSTRUCTIONS

LEAK TEST SAFETY

- Leak test must be repeated each time LP tank is exchanged or refilled.
- Do not smoke during leak test.
- Do not use an open flame to check for gas leaks.
- Griddle must be leak tested outdoors in a well-ventilated area, away from ignition sources such as gas fired or electrical appliances.
- During leak test, keep griddle away from open flames or sparks.

16.4OZ. LP TANK LEAK TEST

01. Use a clean paintbrush and a 10/90 mild soap and water solution.
02. Brush soapy solution onto joint areas of tank. (Indicated by arrows in figure 01.)
03. Leaks are indicated by growing bubbles.

LEAK TESTING VALVES, HOSE & REGULATOR

01. Turn all griddle control knobs OFF.
02. Be sure regulator is tightly connected to LP tank.
03. Completely open LP tank valve by turning OPD hand wheel counterclockwise.

If you hear a rushing sound, turn gas off immediately. There is a major leak at the connection. Correct before proceeding. Call for replacement parts **435-252-3030 ext 1.**

04. Brush soapy solution onto areas where bubbles are shown in figure 02.

If "growing" bubbles appear, there is a leak. Close LP tank valve immediately and re-tighten connections. If leaks cannot be stopped **DO NOT TRY TO REPAIR.** Call for replacement parts at **435-252-3030 ext 1.**

05. Always close LP bottle valve after performing leak test by turning hand wheel clockwise.



⚠ WARNING

Do not lean over griddle while lighting.

⚠ WARNING

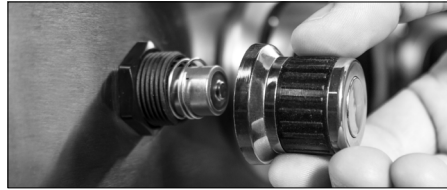
If ignition does NOT occur in 5 seconds, turn burner controls OFF, wait 5 minutes and repeat lighting procedure.

If burner does not ignite with open valve, gas will continue to flow out of burner and could accidentally/inadvertently ignite with risk of injury.

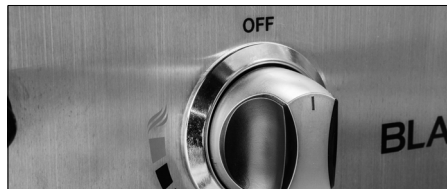
IGNITION | BATTERY POWERED

GRIDDLE OPERATING INSTRUCTIONS

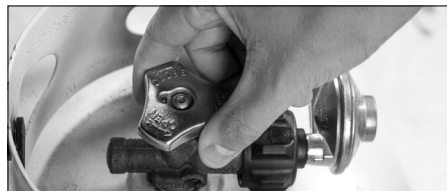
For proper ignition and operation of the griddle follow the steps below.



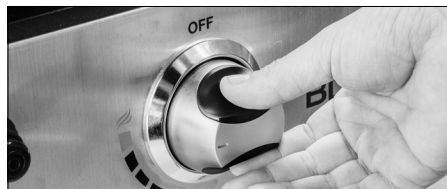
STEP 01 In order for the igniter switch to work properly, please make sure battery is correctly installed.



STEP 02 Turn OFF gas burner control knobs.



STEP 03 Turn gas ON at LP cylinder by taking 20 seconds to turn knob halfway.



STEP 04 To ignite, push and turn IGNITION BURNER knob to MAX.



STEP 05 Push and hold ELECTRONIC IGNITION button until IGNITION BURNER lights.



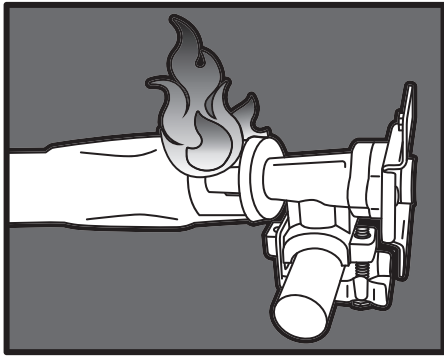
STEP 06 To ignite remaining burners, turn each burner knob in sequence to MAX position. Start with burner closest to IGNITION NEEDLE.



Section 02 GRIDDLE GAS FLOW

SYMPTOMS

- 01. A flame is coming out of the air gate.



POSSIBLE CAUSES

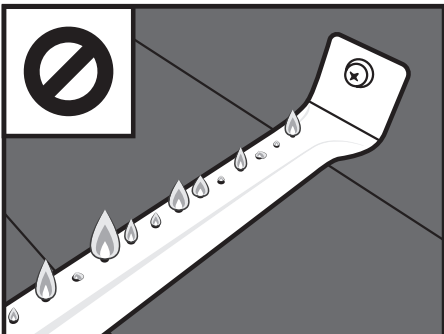
- 01. Something is blocking the venturi in the burner tube. This is not allowing the propane to flow through the burner, causing the flame to back out the air gate.

SOLUTION

Clean the burner assembly to remove the obstruction. (Please reference the Cleaning Your Griddle section of the Care & Maintenance chapter.)

SYMPTOMS

- 01. Burner flames are yellow or irregular.



POSSIBLE CAUSES

- 01. Something is blocking the air gate for the burner. This is blocking oxygen from mixing with the propane correctly to get healthy flames.

SOLUTION

Check the air gates in your burner. If you have adjustable air shutters over your air gates, make sure that they are completely open. If your burners have bug shields, clean any spider webs, soot, or debris off the bug shield. Clean any other obstructions out of air gates.



TECHNICAL SUPPORT. Scan QR code for more videos or visit the Blackstone YouTube channel at [youtube.com/blackstonegriddles](https://www.youtube.com/blackstonegriddles)



⚠ CAUTION

Small variations in manufacturing and raw materials can cause some griddles to be slightly warped. A slight warp will disappear when the griddle is heated in preparation for cooking.

OUR CUSTOMER SERVICE STAFF IS HERE TO HELP YOU!

For questions regarding your Blackstone product, or if you need replacement parts, please register your griddle at **blackstoneproducts.com/register-griddle** and contact us at:

PHONE:
435-252-3030 ext 1

EMAIL:
support@blackstoneproducts.com

ONLINE:
blackstoneproducts.com/customer-support

We are pleased to help you with any questions concerning griddle use, replacement parts, or your warranty.

Our customer service staff can be reached Monday through Friday from 7:00 am to 5:00 pm Mountain Standard Time.

F.A.Q.

Q. What types of cooking oils can I use to season my griddle?

A. We recommend the following oils for seasoning purposes: olive oil, vegetable oil, canola oil, coconut oil, flax seed oil and sesame oil. (Please reference the Griddle Seasoning Instructions section of the Care & Maintenance chapter.)

Q. Can I use dish detergent to clean my griddle?

A. Grease cutting dish detergents will erase the seasoning on the griddle and should not be used after griddle is seasoned. For tough spots use table salt and hot water and always coat with a thin layer of oil once you are finished cleaning. (For griddle cleaning instructions, please reference the Cleaning Your Griddle section of the Care & Maintenance chapter.)

Q. Why does my griddle surface look dull and dry instead of shiny and black?

A. Seasoning is a continuous process. Over time and the more often you use your griddle top, the more shiny, black and non-stick it will become.

Q: Can I cut directly on the griddle top?

A: Yes, you can. Cutting on the griddle top will not harm it.

Q. What if my griddle starts to rust?

A. If rust appears on the griddle surface, rub it off with steel wool or low grit sandpaper and re-season the surface ([youtube.com/watch?v=thPE2lgnSil](https://www.youtube.com/watch?v=thPE2lgnSil)). Take care to always completely dry your griddle before storing and keep away from rain and sprinklers. It is also important to keep your griddle covered. (For proper storage techniques, please reference the General Care section of the Care & Maintenance chapter.)

CUSTOMERS IN HUMID OR COASTAL CLIMATES MAY REQUIRE MORE FREQUENT SEASONINGS AND THE USE OF HEAVIER COOKING OILS TO AVOID RUSTING AND CORROSION.

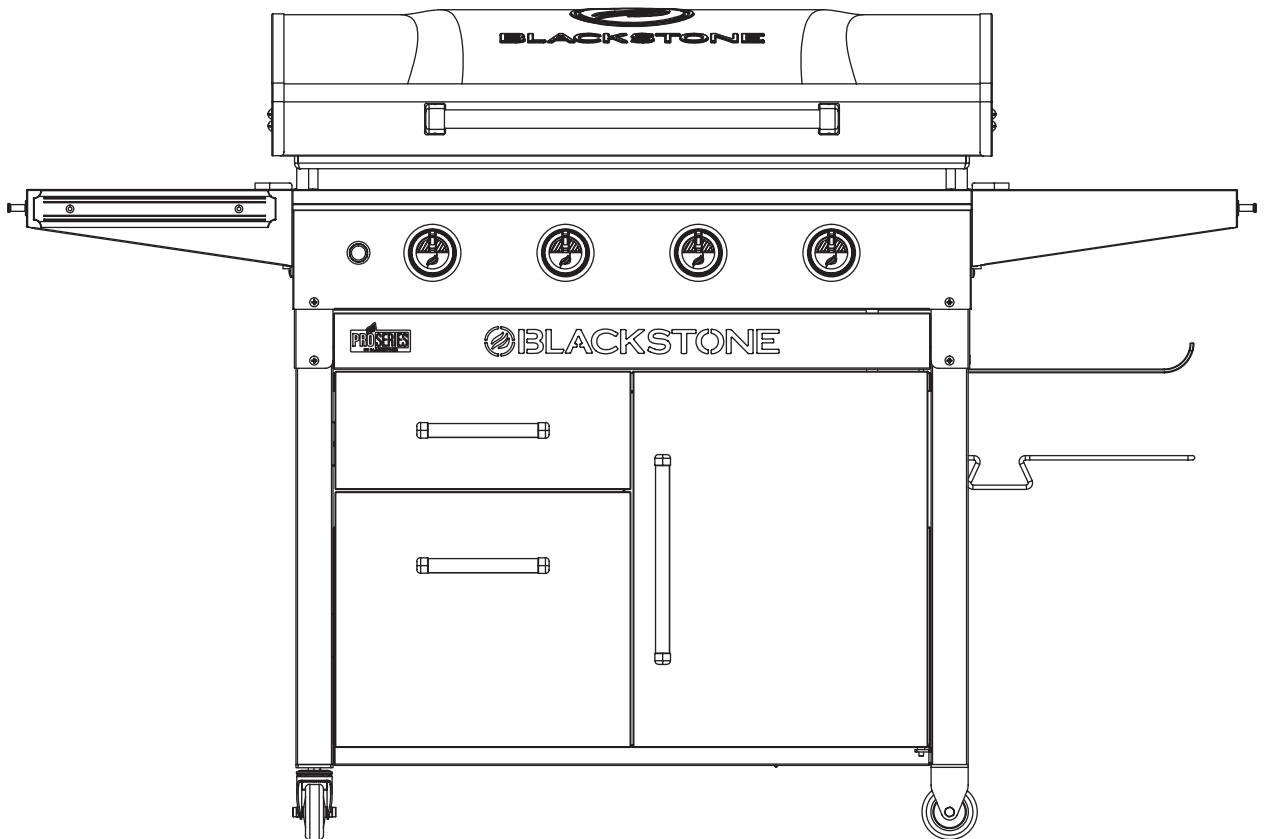
For more FAQ's visit blackstoneproducts.com/faq



STATION DE CUISSON GRIDDLE DE 36"

Modèle 1820

CONFORME AUX APPAREILS DE GAZ DE
CUISSON EXTÉRIEURS ANSI Z21.89-2017/
CERTIFIÉ POUR CSA 1.18-2017.





MESSAGES RELATIFS À LA SÉCURITÉ

Lisez et suivez tous les avertissements qui se trouvent dans ce manuel.

DANGER

Indique une situation extrêmement dangereuse qui, si elle n'est pas évitée, peut entraîner des blessures graves, voire mortelles.

ATTENTION

Indique la possibilité de blessures corporelles graves si les instructions ne sont pas suivies.

MISE EN GARDE

Indique une situation potentiellement dangereuse qui, si elle n'est pas évitée, peut entraîner des blessures légères ou modérées.

STATION DE CUISSON GRIDDLE DE 36"

Manuel d'utilisation

Il incombe au consommateur de s'assurer que l'unité est correctement assemblée, installée et entretenue. Si vous ne suivez pas les instructions de ce manuel, vous risquez des blessures corporelles et/ou des dégâts matériels.

Veuillez lire attentivement ce manuel avant l'assemblage. Conservez ce manuel pour vous y référer ultérieurement.

CONTENU

01. ENREGISTRER VOTRE PRODUIT	01
02. POUR VOTRE SÉCURITÉ	02
Section 01. Sécurité générale	02
Section 02. Instructions de sécurité pour la plaque de cuisson	04
03. GUIDE DE MONTAGE	05
04. ENTRETIEN ET MAINTENANCE	12
Section 01. Entretien général	12
Section 02. Instructions d'assaisonnement plaque chauffante	14
Section 03. Nettoyage du brûleur	16
Section 04. Nettoyage de votre plaque chauffante	18
05. CARBURANT PROPANE – RÉSERVOIR DE 9,1 KG (20 LB)	20
Section 01. Réservoir de propane liquid de 9,1 kg (20 lb)	20
Section 02. Raccordement et retrait	23
Section 03. Instructions d'essai d'étanchéité	25
06. ALLUMAGE ALIMENTÉ PAR BATTERIE	26
07. DÉPANNAGE	27
Section 01. Dépannage de l'allumage alimenté par batterie	27
Section 02. Flux du gaz de la plaque chauffante	28
08. FAQ	30
09. GARANTIE	31



DANGER

SI DU GAZ EST DÉTECTÉ:

1. Fermez l'alimentation en gaz à la source.
2. Éteignez toute flamme; ne faites fonctionner aucun appareil électrique.
3. Aérez la zone.
4. Si l'odeur persiste, éloignez-vous de l'appareil et appelez immédiatement le fournisseur de gaz ou le service d'incendie.

DANGER

Les appareils sont destinés à une utilisation en extérieur uniquement!

ATTENTION

N'entreposez pas et n'utilisez pas d'essence ou d'autres liquides ou vapeurs inflammables à proximité de cet appareil ou de tout autre appareil.

ATTENTION

Ce produit peut vous exposer à des produits chimiques, notamment les phtalates (DEHP), qui sont connus dans l'état de la Californie pour provoquer le cancer. Pour plus d'informations, visitez le site www.P65Warnings.ca.gov.

POUR VOTRE SÉCURITÉ

Avant de poursuivre, assurez-vous de bien comprendre la section « POUR VOTRE SÉCURITÉ » de ce manuel. Le non-respect des instructions peut provoquer un incendie ou une explosion.

Section 01 SÉCURITÉ GÉNÉRALE

PRÉCAUTIONS

- Ne pas utiliser cet appareil à moins de 91,4 cm (36 po) de tout matériau combustible, y compris des murs et des plafonds.
- Ne pas utiliser cet appareil sous des surfaces combustibles.
- Lorsqu'elle n'est pas utilisée, éteignez l'appareil en fermant le cylindre LP.
- En cas de défaillance du régulateur, celui-ci doit être remplacé par un modèle approuvé par Blackstone, et le remplacement doit être effectué par un professionnel agréé. Le non-respect annulera la garantie.

Si les informations contenues dans les avertissements ci-dessus ne sont pas suivies à la lettre, des blessures graves, un incendie ou la mort pourraient survenir.

PRÉCAUTIONS DE SÉCURITÉ LORS DE L'INSTALLATION

Cet appareil est certifié pour une utilisation aux États-Unis et au Canada. Ne pas modifier pour une utilisation dans un autre pays. Toute modification entraînerait un risque pour la sécurité.

Cet appareil ne doit pas être utilisé à l'intérieur d'un VR.

Cet appareil ne doit pas être utilisé dans ou sur un bateau.

Cet appareil ne doit pas être utilisée dans ou sur des véhicules de loisirs ou des bateaux.

L'installation de l'appareil doit être conforme aux normes locales ou, en l'absence de normes locales, aux codes américains relatifs au gaz combustible (National Fuel Gas Code), l'ANSI Z223.1/NFPA 54, à l'installation de gaz naturel et propane (Natural Gas and Propane Installation Code) CSA B149.1, à l'entreposage et la manipulation du propane (Propane Storage and Handling Code) B149.2 ou les normes pour les véhicules de loisirs (Standard for Recreational Vehicles) ANSI A 119.2/NFPA 1192, et la CSA Z240 RV Series, le code pour les véhicules récréatifs (Recreational Vehicle Code), le cas échéant.

CONSEILS DE SÉCURITÉ

- Ne déplacez jamais cet appareil pendant qu'elle est en marche ou encore chaude.
- Utilisez des ustensiles de barbecue à long manche et des gants de cuisine pour vous protéger des brûlures et des éclaboussures.



ATTENTION

L'ajout d'une grande quantité d'aliments froids ou congelés (ou d'aliments avec une teneur en eau importante) sur une plaque de cuisson chaude peut la déformer.

Section 02

INSTRUCTIONS DE SÉCURITÉ POUR LA PLAQUE DE CUISSON

- Maximum weight on side shelf
(Le poids maximum que peut supporter l'étagère latérale (le cas échéant) est de 4,5 kg (10 lb).
- Le bac à graisse doit être retiré et vidé après chaque utilisation.
- Ne pas retirer le bac à graisse avant que la plaque de cuisson ne soit complètement refroidie.
- Ne pas obstruer le flux d'air de combustion et de ventilation.
- Nettoyez régulièrement la plaque de cuisson, de préférence après chaque utilisation. (Veuillez vous référer à la section Instructions de test de fuite du chapitre Carburant.)



⚠ ATTENTION

Le fabricant a tout mis en œuvre pour éliminer les bords tranchants. Cependant, vous devez manipuler tous les éléments avec soin pour éviter les blessures accidentelles.

Certaines pièces peuvent comporter des bords tranchants, notamment celles indiquées dans ces instructions. Portez des gants de protection si nécessaire.

⚠ ATTENTION

L'utilisation d'alcool, de médicaments sur ordonnance ou en vente libre peut nuire à la capacité du consommateur d'assembler correctement ou d'utiliser cet appareil en toute sécurité.

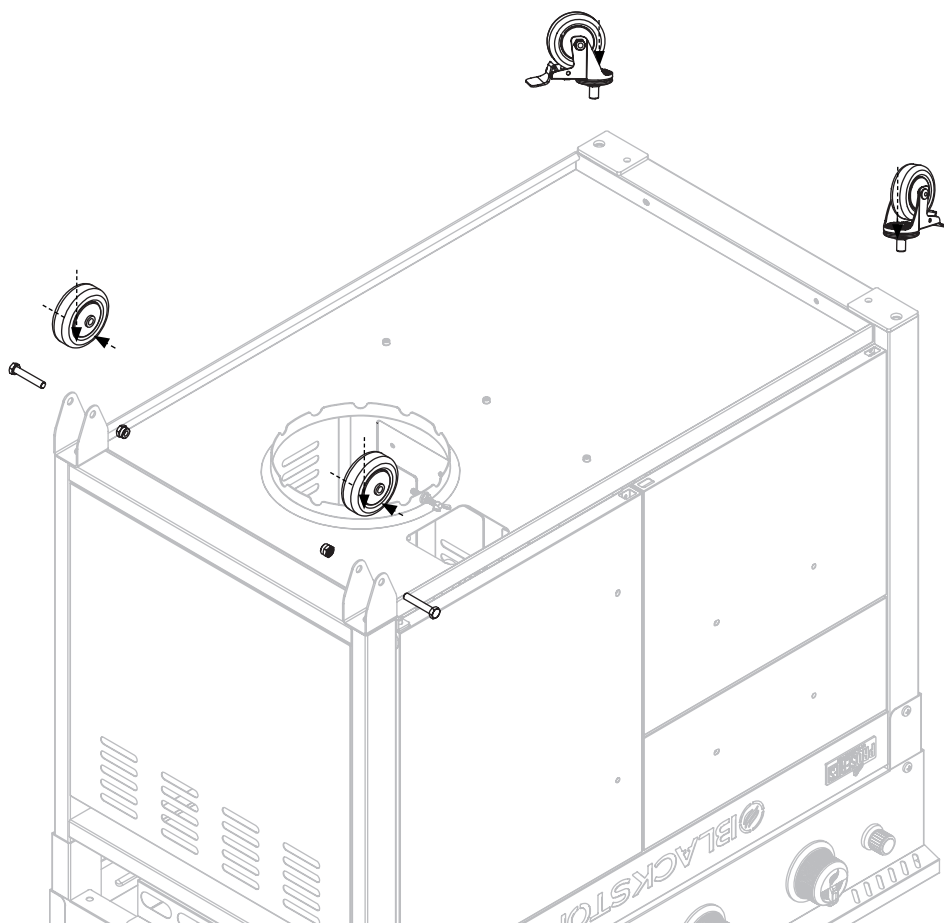
INSTRUCTIONS DE MONTAGE

Veillez lire attentivement toutes les instructions avant de continuer. Assurez-vous que tout le matériel d'emballage en plastique est enlevé avant de procéder à l'assemblage.

Trouvez une grande surface propre pour assembler votre gril. Veuillez vous référer à la liste des pièces et aux schémas d'assemblage si nécessaire.

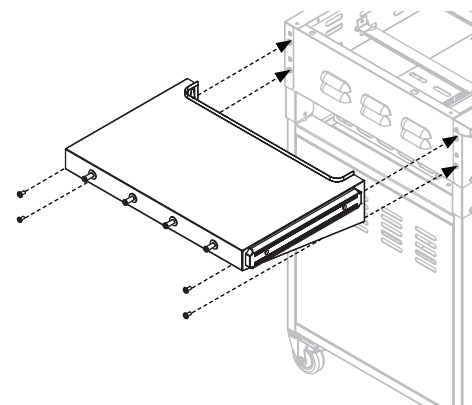
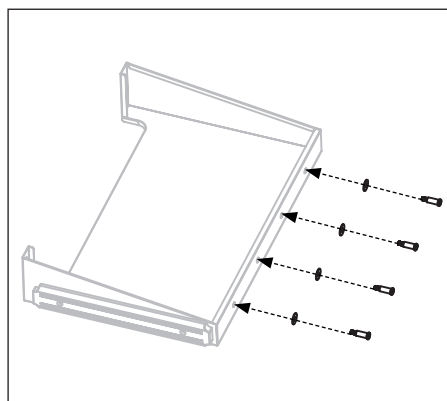
L'assemblage de le gril implique de gros éléments; **il est donc conseillé d'assembler l'appareil à deux personnes.**

ÉTAPE 01 Avec l'aide d'une autre personne, retirez le corps de la plaque chauffante de l'emballage et posez-le à l'envers sur une surface plane et lisse. Dévissez le boulon et l'écrou des roues et fixez-les sur le côté gauche de la base de la plaque chauffante. Ensuite, verrouillez les roulettes et utilisez une clé pour les serrer dans le côté droit de la base de la plaque chauffante.

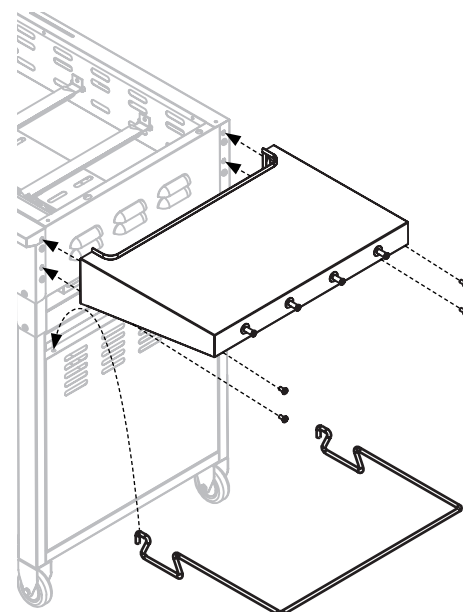
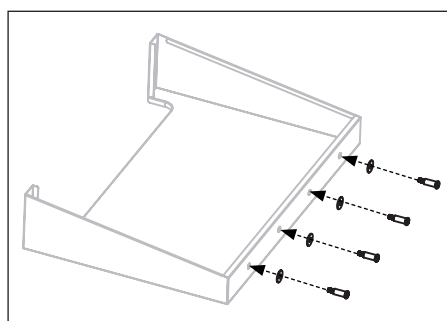




ÉTAPE 04 Assemblez la tablette latérale gauche en dévissant d'abord les quatre (4) tiges métalliques et les rondelles de l'arrière de la tablette latérale. Ensuite, fixez les quatre (4) piquets en métal et les quatre (4) rondelles à l'avant de la tablette latérale. Ensuite, fixez la tablette latérale gauche avec quatre (4) boulons M6X12 gris au corps de la plaque chauffante.

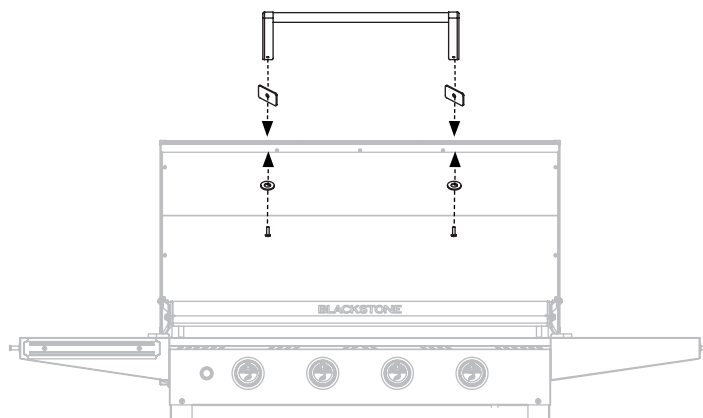


ÉTAPE 05 Dévissez les quatre chevilles métalliques et les quatre (4) rondelles de l'arrière de la tablette latérale droite et fixez-les à l'avant. Fixez l'étagère sur le côté droit du corps de la plaque avec quatre (4) boulons gris M6X12. Placez ensuite le support de sac poubelle dans les trous correspondants du corps de la plaque chauffante.

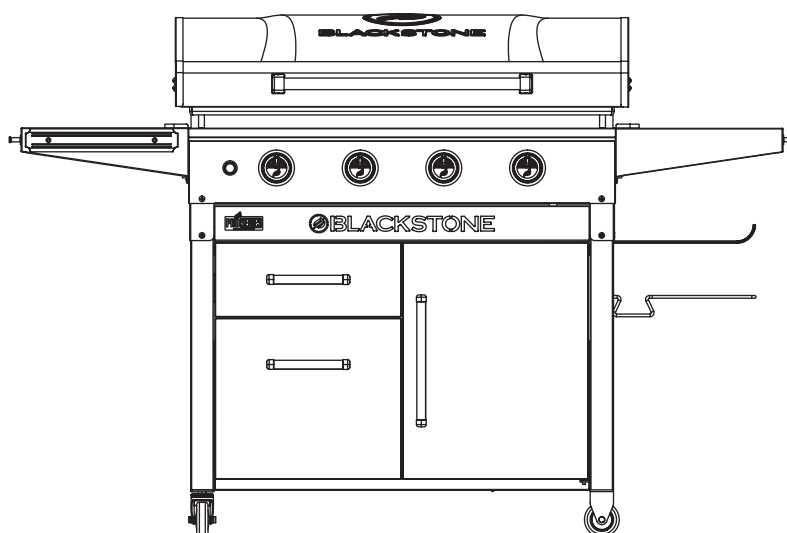




ÉTAPE 08 Fixez la poignée sur la hotte avec quatre (4) boulons M6X20 et quatre (4) rondelles à l'intérieur de la hotte et deux (2) feuilles de mica par le haut. Connectez le réservoir de propane de 20 lb (non inclus). (Veuillez consulter la section Raccordement et retrait du chapitre Carburant | Propane – Réservoir de 9,1 kg (20 lb).)



ÉTAPE 09 Passez à la section **Instructions d'assaisonnement plaque chauffante** du chapitre **Entretien et maintenance**. Profitez de la cuisine en plein air sur votre station de cuisson à plaque chauffante Blackstone 36 po série professionnelle!



**⚠ DANGER**

N'utilisez jamais cet appareil à moins de 3 m (10 pi) de toute structure ou matériau combustible ou d'une autre bouteille de gaz. Ne faites jamais fonctionner cet appareil à moins de 7,5 m (25 pi) de tout liquide inflammable.

⚠ ATTENTION

La bouteille/le réservoir de GPL doit être débranché(e) lorsque l'appareil n'est pas utilisée, et ne doit pas être rangé(e) à proximité de celle-ci ou de tout autre appareil.

⚠ ATTENTION

Lorsqu'il n'est pas utilisé, placez les molettes de l'appareil en position OFF et fermez l'approvisionnement en gaz.

⚠ ATTENTION

Cet appareil sera chaud pendant et après l'utilisation. Utilisez des gants isolants ou des gants de protection pour vous protéger des surfaces chaudes ou des éclaboussures de liquides de cuisson.

⚠ CAUTION

Ne jamais toucher les parties chaudes sans protection adaptée.

ENTRETIEN ET MAINTENANCE

Nettoyez régulièrement votre appareil entre les utilisations, en particulier après de longues périodes de stockage. Pour prolonger la durée de vie et conserver l'état de l'unité, suivez les meilleures pratiques détaillées dans ce manuel.

Section 01

ENTRETIEN GÉNÉRAL

CLAPET DE NON-RETOUR

Assurez-vous que le gaz est coupé au niveau de la bouteille de GPL avant de vérifier les vannes. Les molettes doivent être verrouillées en position OFF.

01. Pour vérifier les vannes, enfoncez les molettes et relâchez-les. Les molettes devraient revenir en place elles-mêmes.
02. Si les boutons ne retournent pas à leur position initiale, remplacez la vanne avant d'utiliser la plaque de cuisson.
03. Tournez les molettes vers la position de faible intensité puis revenez en position OFF. Les molettes doivent tourner facilement.

RACCORDS ET TUYAUX

Il est recommandé d'effectuer une vérification et un serrage des raccords métalliques chaque année.

Avant chaque utilisation, vérifiez l'absence d'entailles ou d'usure sur les tuyaux. Remplacez les tuyaux endommagés avant d'utiliser la plaque de cuisson. Utilisez uniquement des pièces approuvées par Blackstone pour le remplacement d'une vanne, d'un tuyau ou du régulateur.

NETTOYAGE GÉNÉRAL

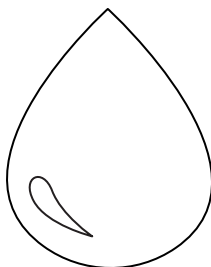
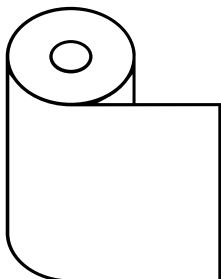
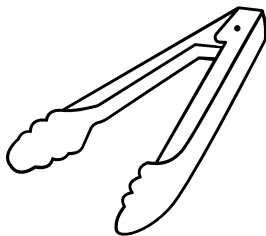
Ensure that the appliance and its Assurez-vous que la plaque de cuisson et ses composants sont suffisamment froids avant le nettoyage.

- Les dépôts de graisse cuits peuvent nécessiter l'utilisation d'un tampon nettoyeur en plastique abrasif. Utilisez-le uniquement dans le sens du fini brossé pour éviter les dommages.
- NE PAS utiliser de tampon abrasif sur les zones comportant des représentations graphiques.
- Si vous utilisez une brosse en soie pour nettoyer les surfaces de cuisson, assurez-vous qu'il ne reste pas de soies sur les surfaces de cuisson avant la cuisson.



⚠ MISE EN GARDE

De petites variations dans la fabrication et les matières premières peuvent entraîner une légère déformation de certaines plaques. Une légère déformation disparaîtra lorsque la plaque chauffante sera chauffée en préparation de la cuisson.



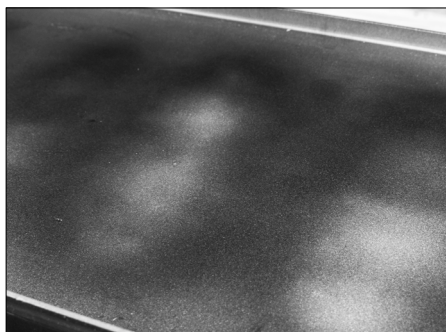
Section 02

INSTRUCTIONS D'ASSAISONNEMENT PLAQUE CHAUFFANTE

Pour de meilleurs résultats, nous avons recommandé d'apprêter la plaque de cuisson avant de commencer à s'en servir.



ÉTAPE 01 Assurez-vous que la plaque de cuisson est exempte de débris. (Veuillez vous référer à la section Nettoyage de votre plaque chauffante)



ÉTAPE 02 Allumez la plaque de cuisson en suivant les instructions d'allumage (trouvé sur l'appareil, ou se référer à Entretien et maintenance > Section 01 / Section 02). Tournez toutes les molettes pour régler les brûleurs au maximum. Attendez environ 10 à 15 minutes, jusqu'à ce que votre plaque de cuisson commence à se décolorer.



ÉTAPE 03 Versez une petite quantité d'huile de cuisson sur le dessus de la plaque. N'importe quelle huile de cuisson peut être utilisée. La quantité d'huile utilisée dépend de la taille de la plaque de cuisson (voir le tableau des mesures.

OUTILS NÉCESSAIRES : Pinces de cuisine, essuie-tout et huile de cuisson



Section 03

NETTOYAGE DU BRÛLEUR

Suivez ces instructions pour nettoyer ou remplacer des pièces du brûleur, ou en cas de difficulté à allumer la plaque de cuisson. Pendant le nettoyage, vérifiez que le brûleur n'est pas endommagé. Si vous trouvez des fissures ou des trous importants, remplacez le brûleur.

ÉTAPE 01 COUPEZ le gaz à l'aide des molettes de commande et au niveau de la bouteille de GPL. Retirez le dessus de la plaque de cuisson.



ÉTAPE 02 Détachez et retirez avec précaution le brûleur.



ÉTAPE 03 Passez plusieurs fois un goupillon à bouteille fin dans chaque tube du brûleur (n'utilisez pas de brosses métalliques).

Autres méthodes:

- a** Passez plusieurs fois un fil rigide plié en forme de petit crochet à travers chaque tube de brûleur.
- b** Utilisez un tuyau à air pour forcer l'air à entrer dans le tube du brûleur et à sortir par les orifices du brûleur. Vérifiez que l'air passe à travers chaque trou (portez des lunettes de protection).



ÉTAPE 04 Brossez toute la surface extérieure du brûleur pour enlever la saleté.



ÉTAPE 05 Nettoyez tous les ports bloqués avec un fil rigide, par exemple un trombone ouvert. Ensuite, remplacez soigneusement les brûleurs et rattachés-les. Les tubes de brûleur doivent être réintroduits dans les orifices de la vanne.

**⚠ DANGER**

Ne placez pas d'objets inflammables sur les étagères latérales près de la plaque de cuisson. Les aérosols sont particulièrement dangereux, car **ils peuvent surchauffer et provoquer une explosion, un incendie, des blessures graves, voire la mort.**

⚠ ATTENTION

Ne laissez pas la plaque de cuisson sans surveillance pendant le préchauffage ou la combustion des résidus d'aliments. Si la plaque de cuisson n'a pas été nettoyée régulièrement, un feu de graisse peut se produire et causer des blessures graves ou des dommages matériels.

⚠ WARNING

Ne placez pas de serviettes huileuses ou graisseuses près de la plaque à frire car elles peuvent brûler spontanément.

⚠ ATTENTION

Ne vous penchez pas au-dessus de la plaque de cuisson pendant l'allumage.

Section 04**NETTOYAGE DE VOTRE PLAQUE CHAUFFANTE****STOCKAGE DE VOTRE PLAQUE DE CUISSON**

Stockez la plaque de cuisson dans un endroit frais et sec. Gardez toujours la plaque de cuisson couverte si elle est stockée en extérieur. Choisissez parmi la gamme de couvertures de plaques de cuisson offerte par Blackstone.

Lorsque vous protégez une plaque de cuisson avec une couverture souple, créez une forme de « tente » pour empêcher l'eau de s'accumuler sur le dessus de la plaque de cuisson. Créer une forme de « tente » consiste à placer un objet (un bol, une balle de tennis ou un tuyau en PVC) sous une couverture souple au centre de la plaque de cuisson afin de permettre à l'eau de glisser. Former une « tente » aide à prévenir la rouille.

PREMIER NETTOYAGE

SURFACE DE CUISSON SUR LA PLAQUE: Les plaques Blackstone sont pré-traitées avec de l'huile de cuisson pour éviter la rouille et les dommages pendant le transport. Pour la première utilisation, lavez la plaque à l'eau chaude savonneuse.

C'EST LE SEUL MOMENT OÙ VOUS DEVRIEZ UTILISER DU SAVON SUR LA SURFACE DE CUISSON DE LA PLAQUE.

Rincez et laissez sécher complètement. Continuez en suivant les instructions d'apprêtage. (Veuillez vous référer à la section Instructions d'assaisonnement pour plaque chauffante)

ÉTEINDRE LA PLAQUE DE CUISSON

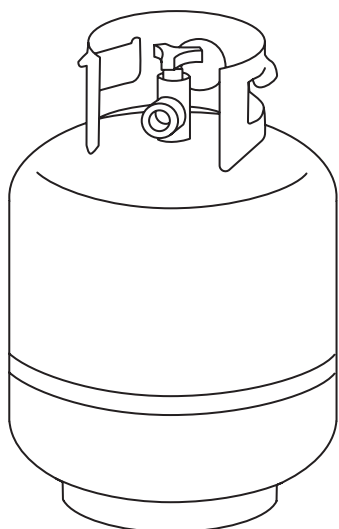
Placez toutes les molettes en position OFF. FERMEZ la bouteille de GPL en tournant le robinet dans le sens horaire jusqu'à l'arrêt complet.



⚠ ATTENTION

Les carburants utilisés dans les appareils à gaz propane liquéfié et les produits de combustion de tels carburants peuvent vous exposer à des produits chimiques, notamment le benzène, connu de l'État de Californie pour causer le cancer et causer des malformations congénitales ou d'autres problèmes de reproduction.

Pour plus d'informations, visitez www.P65Warnings.ca.gov.



CARBURANT | PROPANE - RÉSERVOIR DE 9,1 KG (20 LB)

Section 01

RÉSERVOIR DE PROPANE LIQUIDE DE 9,1 KG (20 LB)

GPL (GAZ DE PÉTROLE LIQUÉFIÉ)

Le GPL est non toxique, inodore et incolore lorsqu'il est produit. Pour des raisons de sécurité et pour faciliter sa détection, le GPL est doté d'une odeur similaire à celle du chou pourri.

Le gaz de pétrole liquéfié est hautement inflammable et peut s'enflammer de manière inattendue lorsqu'il est mélangé à l'air.

EXIGENCES RELATIVES À LA BOUTEILLE DE PROPANE LIQUIDE DE 9,1 KG (20 LB)

- Assurez-vous que les bouteilles ont une certification du DOT américain et qu'elles ont été testées par un fournisseur de GPL dans un délai de cinq ans à compter du début de leur utilisation.
- Tous les systèmes d'alimentation des réservoirs de GPL doivent comporter un collet pour protéger la vanne de la bouteille.
- Utilisez uniquement une bouteille de GPL de 45 cm sur 30 cm et 9,1 kg.

- La bouteille doit être construite et classée conformément aux caractéristiques pour les bouteilles de GPL (Specifications for LP - Gas Cylinders) du Département des Transports (DOT ou Department of Transportation) américain ou à la Norme nationale du Canada CAN/CSA-B339, Bouteilles à gaz cylindriques et sphériques et tubes pour le transport des marchandises dangereuses; et la Commission, le cas échéant.

EXIGENCES RELATIVES À LA BOUTEILLE DE PROPANE LIQUIDE POUR LE CANADA

- La bouteille de GPL doit être construite et classée conformément aux caractéristiques sur les bouteilles de GPL de Transports Canada.



DANGER

- Ne rangez **JAMAIS** une bouteille de GPL de recharge sous ou près de l'appareil ou dans un lieu clos.
- Ne remplissez **JAMAIS** une bouteille de GPL au-delà de 80%.
- **NE** rangez **PAS** de bouteille de GPL dans un lieu où des enfants jouent.
- Ne laissez **JAMAIS** un réservoir ou une bouteille de GPL à l'intérieur d'un véhicule pouvant surchauffer à cause du soleil.

Si les informations ci-dessus ne sont pas suivies à la lettre, un incendie pouvant provoquer des blessures graves, voire mortelles, pourrait survenir.

Une bouteille trop remplie ou mal entreposée constitue un danger, en raison du dégagement possible de gaz par la soupape de sûreté-décharge. Cela pourrait provoquer un violent incendie et causer des dommages matériels, des blessures graves ou la mort.

Si vous voyez, sentez ou entendez du gaz s'échapper, éloignez-vous immédiatement de la bouteille de propane et de l'appareil et appelez le service d'incendie.

ÉCHANGE DE RÉSERVOIR DE GPL

Effectuez un essai d'étanchéité pour les réservoirs de GPL neufs et de remplacement AVANT de les brancher à la plaque de cuisson.

De nombreux détaillants offrent la possibilité de remplacer les réservoirs de GPL vides dans le cadre d'un service d'échange.

Faites uniquement appel à des sociétés réputées qui inspectent, remplissent avec précision, testent et certifient leurs réservoirs.

Remplacez le réservoir uniquement par un réservoir équipé d'un dispositif de sécurité OPD.

Placez le capuchon anti-poussière sur la sortie de la vanne de la bouteille lorsque la bouteille n'est pas utilisée.

Installez sur la sortie de la valve de la bouteille uniquement le type de capuchon anti-poussière fourni avec la valve de la bouteille.

L'utilisation d'autres types de capuchon ou de bouchons peut entraîner des fuites de propane.

REMARQUE : Votre revendeur peut vous aider à trouver un réservoir de remplacement pour votre plaque de cuisson.



ATTENTION

N'essayiez jamais de fixer cette plaque de cuisson au système de gaz propane indépendant d'une roulotte, d'un véhicule récréatif ou d'une autocaravane.

N'utilisez pas le réservoir de GPL avant d'avoir effectué un essai d'étanchéité.

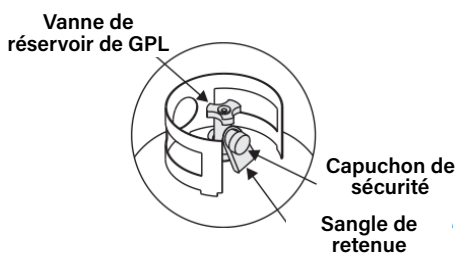
RETRAIT DU RÉSERVOIR DE GPL POUR LE TRANSPORT OU LE STOCKAGE

01. Placez toutes les molettes de commande en position OFF et fermez la vanne du réservoir de GPL.
02. Tourner manuellement l'écrou de raccordement dans le sens antihoraire. N'utilisez pas d'outils pour le débranchement.
03. Soulevez le réservoir de GPL et retirez-le du support.
04. Installez le capuchon de sécurité sur la vanne du réservoir de GPL.

Utilisez en permanence le capuchon et la sangle fournis avec la vanne.

Ne pas utiliser le capuchon de sécurité comme indiqué peut entraîner des blessures graves ou des dommages matériels importants.

Un réservoir de GPL débranché stocké ou en cours de transport doit être muni d'un capuchon de sécurité (comme indiqué).





⚠ ATTENTION

Ne vous penchez pas au-dessus de la plaque de cuisson pendant l'allumage.

⚠ ATTENTION

Si l'allumage ne se produit PAS dans les 5 secondes, éteignez les commandes du brûleur, attendez 5 minutes et répétez la procédure d'allumage.

Si le brûleur ne s'allume pas avec la vanne ouverte, le gaz continuera de sortir du brûleur et pourrait s'enflammer accidentellement/par inadvertance et engendrer un risque de blessure.

ALLUMAGE | ALIMENTÉ PAR BATTERIE

FONCTIONNEMENT DE LA PLAQUE CHAUFFANTE

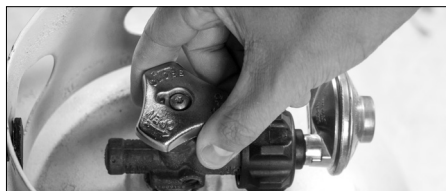
Pour un allumage et un fonctionnement corrects de la plaque chauffante, suivez les étapes ci-dessous.



ÉTAPE 01 Pour que le commutateur d'allumage fonctionne correctement, assurez-vous que la pile est correctement installée.



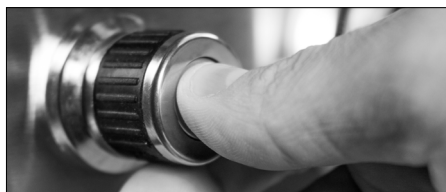
ÉTAPE 02 Placez les molettes de commande des brûleurs à gaz en position OFF.



ÉTAPE 03 Ouvrez le gaz sur la bouteille LP en prenant 20 secondes pour tourner le bouton à mi-chemin.



ÉTAPE 04 Pour allumer, poussez et tournez la molette du brûleur d'allumage jusqu'à la position MAX.



ÉTAPE 05 Appuyez et maintenez enfoncé le bouton d'allumage électronique jusqu'à ce que le brûleur d'allumage s'enflamme.



ÉTAPE 06 Pour allumer les brûleurs restants, tournez chaque molette des brûleurs jusqu'à la position MAX. Commencez avec le brûleur le plus proche de l'AIGUILLE D'ALLUMAGE.

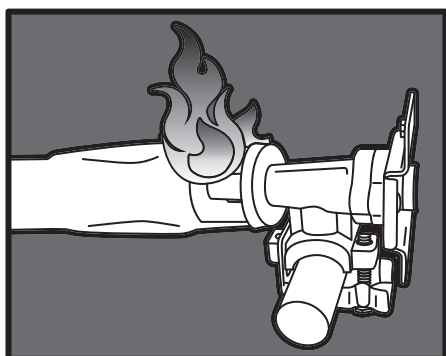


Section 02

FLUX DU GAS DE LA PLAQUE CHAUFFANTE

SYMPTÔMES

01. Une flamme sort de la porte d'air.



CAUSES POSSIBLES

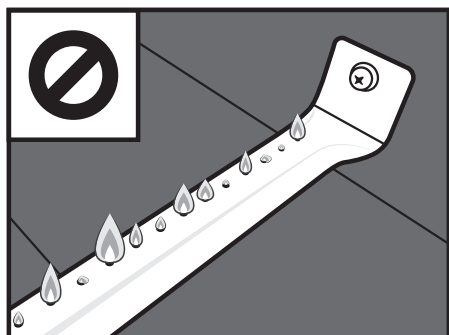
01. Quelque chose bloque le venturi dans le tube du brûleur. Cela ne permet pas au propane de s'écouler à travers le brûleur, ce qui fait reculer la flamme par la porte d'air.

SOLUTION

Nettoyez l'ensemble du brûleur pour éliminer l'obstruction. (Voir Entretien et maintenance > Entretien général > Nettoyage de l'ensemble du brûleur)

SYMPTÔMES

01. Les flammes des brûleurs sont jaunes ou irrégulières.



CAUSES POSSIBLES

01. Quelque chose bloque l'entrée d'air du brûleur. Cela empêche l'oxygène de se mélanger correctement avec le propane pour obtenir des flammes saines.

SOLUTION

Vérifiez les grilles d'aération de votre brûleur. Si vous avez des volets d'air réglables au-dessus de vos grilles d'aération, assurez-vous qu'ils sont complètement ouverts. Si vos brûleurs ont des boucliers anti-insectes, nettoyez les toiles d'araignées, la suie ou les débris du bouclier anti-insectes. Nettoyez tout autre obstacle des grilles d'aération.



ASSISTANCE TECHNIQUE. Numérisez le code QR pour plus de vidéos ou visitez la chaîne YouTube de Blackstone à l'adresse youtube.com/blackstonegriddles



⚠ MISE EN GARDE

De petites variations dans la fabrication et les matières premières peuvent entraîner une légère déformation de certaines plaques. Une légère déformation disparaîtra lorsque la plaque chauffante sera chauffée en préparation de la cuisson.

NOTRE PERSONNEL DU SERVICE À LA CLIENTÈLE EST LÀ POUR VOUS AIDER!

Pour toute question concernant votre produit Blackstone, ou si vous avez besoin de pièces de rechange, veuillez enregistrer votre plaque à blackstoneproducts.com/register-griddle et contactez-nous au:

☎ **TÉLÉPHONE:**
435-252-3030 ext 1

✉ **COURRIEL:**
support@blackstoneproducts.com

💻 **EN LIGNE:**
blackstoneproducts.com/customer-support

Nous serons heureux de répondre à vos questions concernant l'utilisation de la plaque de cuisson, les pièces de rechange ou votre garantie

Notre personnel du service à la clientèle est disponible du lundi au vendredi de 7 h à 17 h, heure normale des Rocheuses.

FAQ

Q. Quels types d'huiles de cuisson puis-je utiliser pour apprêter ma plaque de cuisson?

R. Nous recommandons les huiles suivantes pour l'apprêtage : huile d'olive, huile végétale, huile de canola, huile de coco, huile de graines de lin et huile de sésame. (Veuillez vous référer à la section Instructions d'assaisonnement pour plaque chauffante du chapitre Entretien et maintenance.)

Q. Puis-je utiliser un détergent liquide pour nettoyer ma plaque de cuisson?

R. Les détergents liquides supprimeront l'apprêtage de la plaque de cuisson et ne doivent pas être utilisés une fois la plaque traitée. Pour les endroits difficiles, utilisez du sel de table et de l'eau chaude et enduisez toujours la plaque d'une fine couche d'huile une fois le nettoyage terminé. (Pour les instructions de nettoyage de la plaque chauffante, veuillez consulter la section Nettoyage de votre plaque chauffante du chapitre Entretien et maintenance.)

Q. Pourquoi la surface de ma plaque de cuisson a-t-elle un aspect terne et sec au lieu d'être brillante et noire?

R. L'apprêtage est un processus continu. Plus vous utiliserez votre plaque de cuisson, plus elle deviendra brillante, noire et antiadhésive au fil du temps.

Q. Puis-je découper les aliments directement sur la plaque de cuisson?

R. Oui, vous pouvez. Découper les aliments sur le dessus de la plaque de cuisson ne l'endommagera pas.

Q : Quel type de pile l'allumeur nécessite-t-il?

R. Si de la rouille apparaît sur la surface de la plaque de cuisson, frottez-la avec une laine d'acier ou un papier sablé à grain réduit, puis apprêtez de nouveau la surface. ([youtube.com/watch?v=thPE2IgnSil](https://www.youtube.com/watch?v=thPE2IgnSil)) Veillez à toujours sécher complètement votre plaque de cuisson avant de la stocker, et gardez-la à l'abri de la pluie et des gicleurs. Il est également important de garder votre plaque de cuisson couverte. (Pour les techniques de stockage appropriées, veuillez vous référer à la section Entretien général du chapitre Entretien et maintenance.)

LES CLIENTS VIVANT DANS DES CLIMATS HUMIDES OU CÔTIERS PEUVENT NÉCESSITER UN APPRÊTAGE PLUS FRÉQUENT ET L'UTILISATION D'HUILES DE CUISSON PLUS FORTES POUR ÉVITER LA ROUILLE ET LA CORROSION.

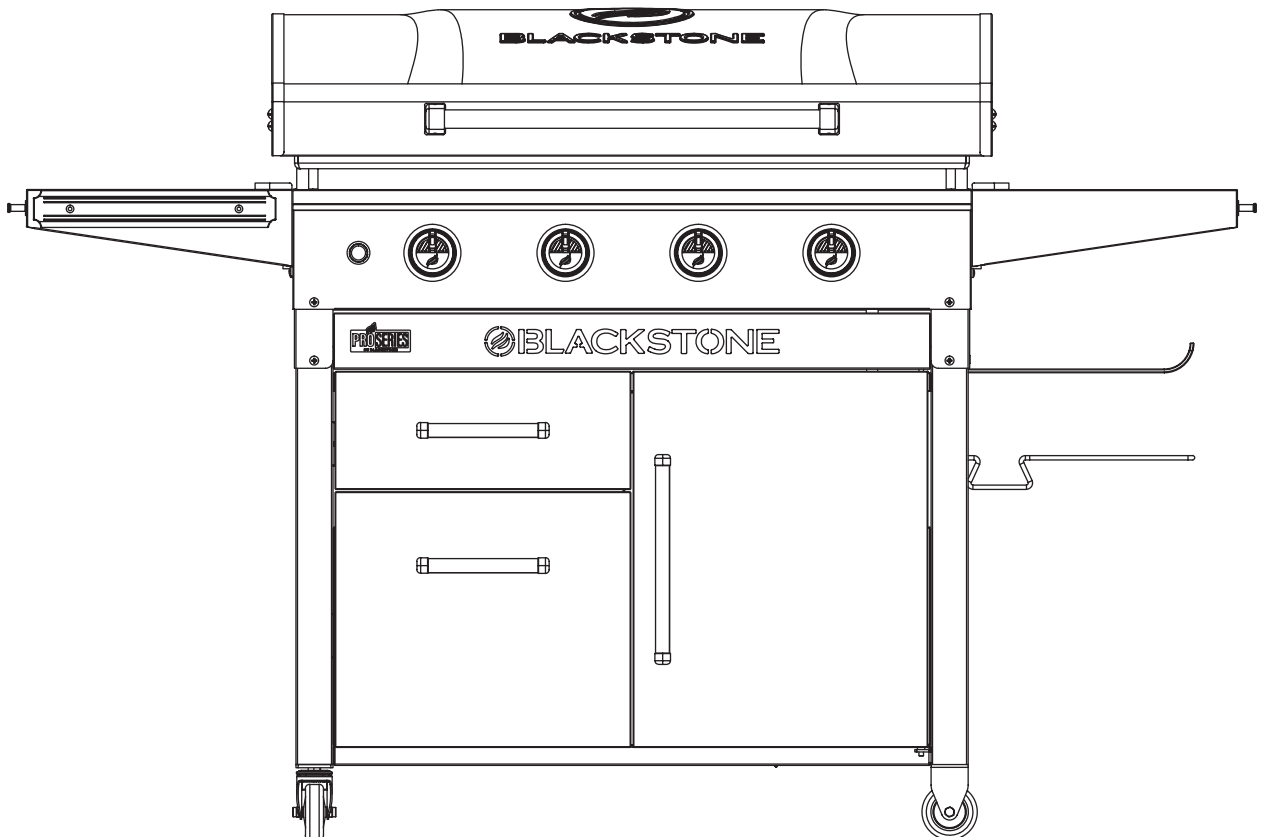
Pour plus d'informations, visitez blackstoneproducts.com/faq



36" PLANCHA ESTACIÓN DE COCINA

Modelo 1820

CUMPLE CON ANSI Z21.89-2017/ CERTIFICADO
A CSA 1.18-2017 ELECTRODOMÉSTICOS PARA
COCINAR AL AIRE LIBRE.





LLAVE DE ALERTA DE SEGURIDAD

Lea y siga todos los avisos que se encuentran en el manual.

PELIGRO

Indica una situación de peligro inminente que, si no se evita, puede causar la muerte o lesiones graves.

ADVERTENCIA

Indica la posibilidad de lesiones corporales graves si no se siguen las instrucciones.

PRECAUCIÓN

Indica una situación potencialmente peligrosa que, si no se evita, puede resultar en una lesión moderada.

36" PLANCHA ESTACIÓN DE COCINA

Manual del propietario

Es responsabilidad del consumidor asegurarse de que la unidad esté correctamente ensamblada, instalada y mantenida. El incumplimiento de las instrucciones de este manual puede provocar lesiones corporales y / o daños a la propiedad.

Lea atentamente este manual antes de la instalación. Guarde este manual para realizar futuras consultas.

CONTENIDO

01. REGISTRE SU PRODUCTO.....	01
02. POR SU SEGURIDAD	02
Sección 01. Seguridad general	02
Sección 02. Instrucciones de seguridad de la plancha.....	04
03. GUÍA DE MONTAJE	05
04. CUIDADO Y MANTENIMIENTO.....	12
Sección 01. Cuidado general	12
Sección 02. Instrucciones de curación de la plancha	14
Sección 03. Limpieza del conjunto del quemador	16
Sección 04. Limpiando su plancha.....	18
05. CARBURANTE PROPANO – CILINDRO DE 20 LB.....	20
Sección 01. Cilindros de propano líquido de 20 lb.....	20
Sección 02. Conexión y remoción.....	23
Sección 03. Instrucciones de prueba de fugas	25
06. ENCENDIDO BATERÍA.....	26
07. SOLUCIÓN DE PROBLEMAS.....	27
Sección 01. Solución de problemas de encendido batería.....	27
Sección 02. Flujo de gas de la plancha.....	28
08. PREGUNTAS FRECUENTES	30
09. GARANTÍA.....	31



PELIGRO

SI SE DETECTA GAS:

1. Apague el gas que se suministra al aparato.
2. Extinga cualquier llama abierta; no opere ningún aparato eléctrico.
3. Ventile el área.
4. Si el olor continúa, manténgase alejado del aparato e inmediatamente llame al proveedor de gas o al departamento de bomberos.

PELIGRO

¡Las unidades son solo para usar en exteriores!

ADVERTENCIA

No almacene ni use gasolina u otros líquidos o vapores inflamables cerca de este o cualquier otro aparato.

ADVERTENCIA

Este producto puede exponerlo a productos químicos, incluidos los ftalatos (DEHP), que el estado de California sabe que causan cáncer. Para obtener más información, visite www.P65Warnings.ca.gov.

POR SU SEGURIDAD

*Antes de continuar, asegúrese de comprender la sección **POR SU SEGURIDAD** de este manual. Se pueden producir incendios o explosiones peligrosas si se ignoran las instrucciones.*

Sección 01

SEGURIDAD GENERAL

PRECAUCIONES

- No opere este aparato a menos de 86.4 cm (36") de cualquier construcción combustible, incluyendo paredes y techos.
- No utilice este aparato bajo superficies combustibles elevadas.
- Cuando no esté en uso, apague el aparato cerrando el cilindro de LP.
- Si el regulador falla en la unidad, debe reemplazarse con un modelo aprobado por Blackstone y solo debe ser reemplazado por un distribuidor autorizado con licencia profesional. De lo contrario, se anulará la garantía.

Si no se sigue exactamente la información en las declaraciones anteriores, pueden ocurrir lesiones graves, incendios o la muerte.

PRECAUCIONES DE SEGURIDAD PARA LA INSTALACIÓN

Esta plancha tiene certificación de seguridad para su uso en los Estados Unidos y/o Canadá únicamente. No la modifique para usar en ninguna otra ubicación. La modificación resultará en un peligro para la seguridad.

Use este electrodoméstico, tal como la compró, solo con el gas LP (propano) y el conjunto de regulador/válvula suministrado.

Este electrodoméstico no debe usarse dentro de una casa rodante.

Este electrodoméstico no debe usarse en un bote o dentro de él.

La instalación del dispositivo debe cumplir con los códigos locales, o en ausencia de códigos locales, con el Código nacional de gas combustible, ANSI Z223.1/NFPA 54, el Código de instalación de gas natural y propano, CSA B149.1, o el Código de almacenamiento y manejo de propano, B149.2, o la norma para Vehículos Recreativos, ANSI A 119.2/NFPA 1192, y la Serie CSA Z240 RV, Código de Vehículos Recreativos, según corresponda.

CONSEJOS DE SEGURIDAD

- Nunca mueva este aparato mientras esté en funcionamiento o esté aún caliente.
- Use utensilios de barbacoa de mango largo y guantes para horno para protegerse contra quemaduras y salpicaduras.



ADVERTENCIA

Agregar una gran cantidad de alimentos fríos o congelados (o alimentos con un contenido importante de agua) a una plancha caliente puede hacer que la plancha se deforme.

Sección 02

INSTRUCCIONES DE SEGURIDAD DE LA PLANCHA

- El peso máximo en el estante lateral (si está presente) es de 4.5 kg (10 lb).
- La bandeja de grasa debe retirarse y vaciarse después de cada uso.
- No retire la bandeja de grasa hasta que la plancha se haya enfriado completamente.
- No obstruya el flujo de aire de combustión y ventilación.
- Limpie la plancha a menudo, de preferencia después de cada uso. (Consulte la sección Limpieza de la plancha del capítulo Cuidado y mantenimiento).



⚠ ADVERTENCIA

El fabricante ha hecho todo lo posible para eliminar los bordes afilados. Sin embargo, debe manejar todos los componentes con cuidado para evitar lesiones accidentales.

Algunas partes pueden contener bordes afilados, especialmente como se indica en estas instrucciones. Use guantes de protección si es necesario.

⚠ ADVERTENCIA

El uso de alcohol, medicamentos recetados o sin receta puede afectar la capacidad del consumidor para ensamblar u operar el aparato de manera segura.

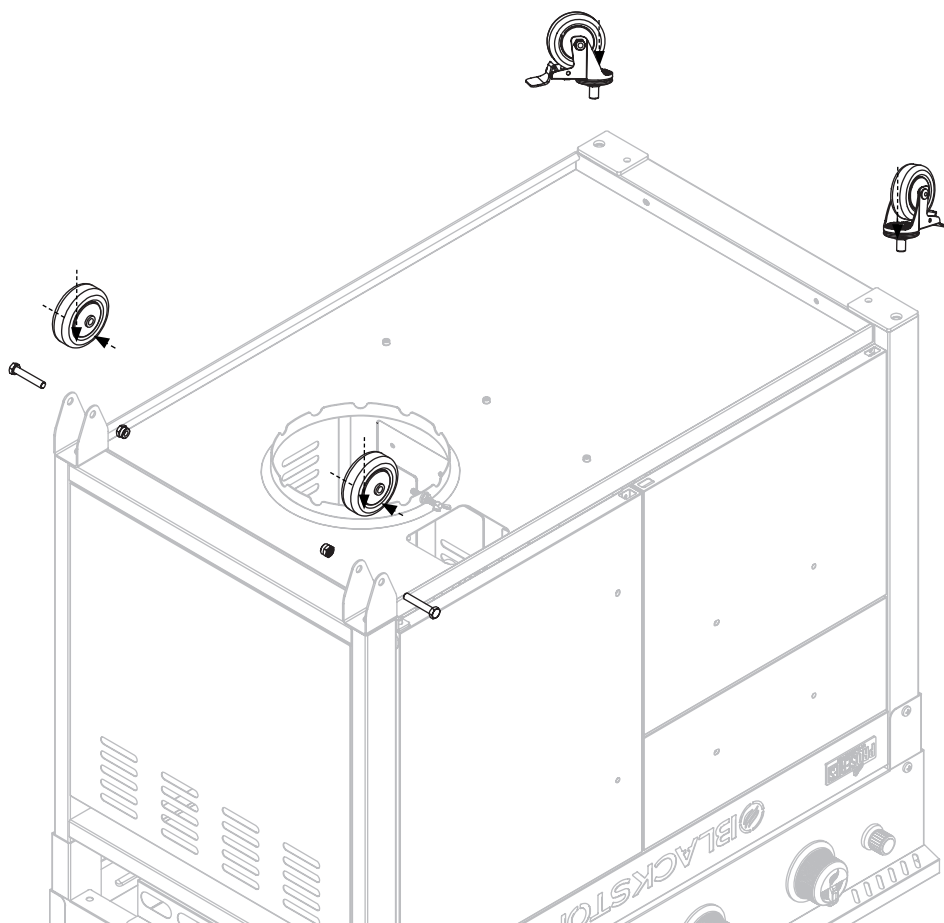
INSTRUCCIONES DE MONTAJE

Lea atentamente todas las instrucciones antes de continuar. Asegúrese de retirar todo el material de embalaje de plástico antes de ensamblarlo

Encuentre un área grande y limpia para ensamblar su plancha. Consulte la lista de piezas y los diagramas de ensamblaje según sea necesario.

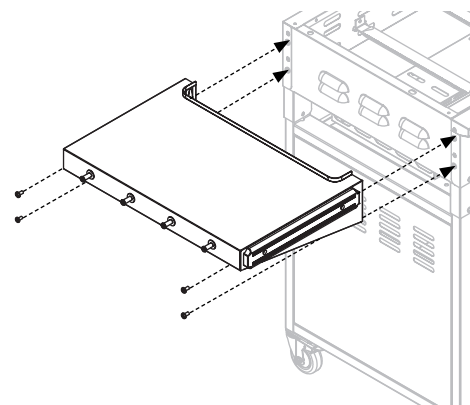
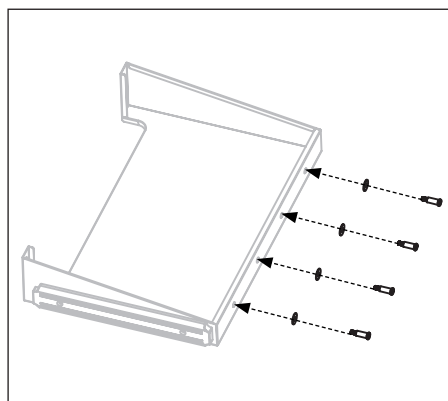
El ensamblaje de la plancha involucra componentes grandes; por lo tanto, **se aconseja que dos personas ensamblen la unidad.**

PASO 01 Con la ayuda de otra persona, retire el cuerpo de la plancha del embalaje y colóquelo boca abajo sobre una superficie plana y lisa. Desenrosque el perno y la tuerca de las ruedas y conéctelos al lado izquierdo de la base de la plancha. Luego, bloquee las ruedas y use una llave para apretarlas en el lado derecho de la base de la plancha.

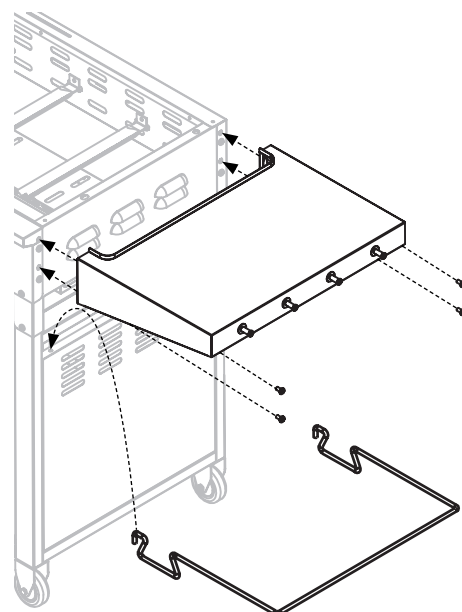
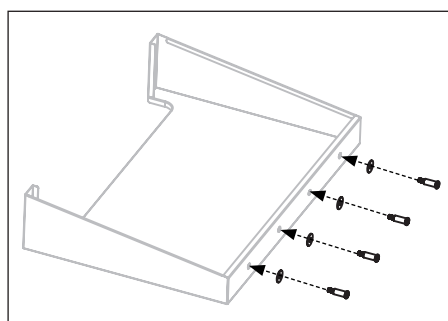




PASO 04 Ensamble el estante lateral izquierdo desenroscando primero las cuatro (4) clavijas y arandelas metálicas de la parte posterior del estante lateral. Luego, coloque las cuatro (4) clavijas de metal y las cuatro (4) arandelas en la parte frontal del estante lateral. Luego, fije el estante lateral izquierdo con cuatro (4) pernos M6X12 grises al cuerpo de la plancha.

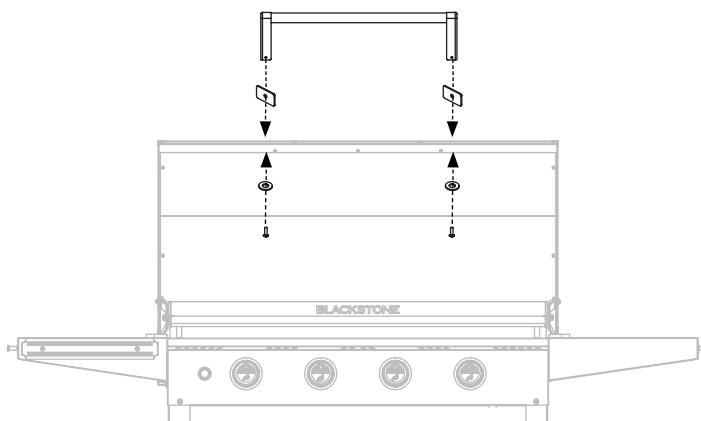


PASO 05 Desatornille las cuatro clavijas metálicas y las cuatro (4) arandelas de la parte posterior del estante lateral derecho y fíjelas al frente. Fije el estante al lado derecho del cuerpo de la plancha con cuatro (4) pernos M6X12 grises. Luego, coloque el soporte de la bolsa de basura en los orificios correspondientes del cuerpo de la plancha.

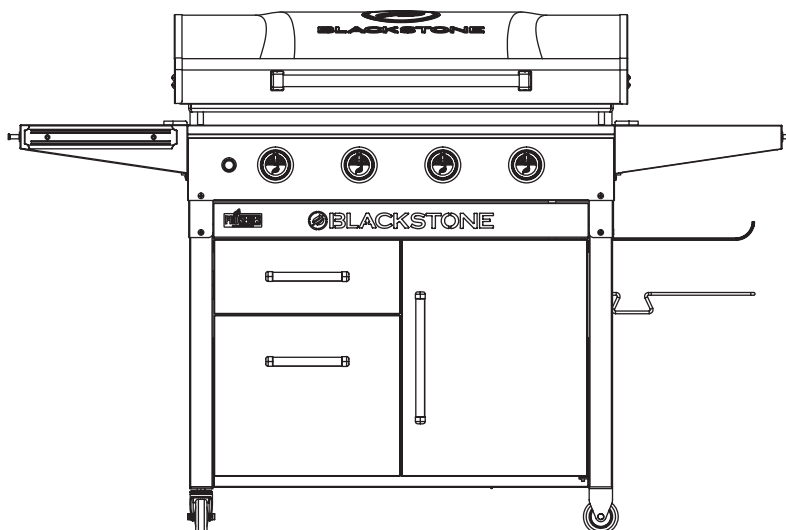




PASO 08 Fije la manija a la campana de la plancha con cuatro (4) pernos M6X20 y cuatro (4) arandelas desde el interior de la campana y dos (2) láminas de mica desde la parte superior. Conecte el tanque de propano de 20 lb (no incluido). (Consulte la sección Conexión y remoción del capítulo Combustible | Propano – Cilindro de 20 lb).



PASO 09 Vaya a la sección de Instrucciones de curación de la plancha del capítulo Cuidado y mantenimiento. ¡Disfrute cocinando al aire libre en su estación de cocción a la plancha Blackstone Pro Series de 36 pulgadas!





PELIGRO

Nunca opere este aparato a menos de 3.0 m (10 pies) de cualquier estructura, material combustible u otro cilindro de gas. Nunca opere este aparato a menos de 7 m (25 pies) de cualquier líquido inflamable.

ADVERTENCIA

La botella / tanque de LP debe desconectarse cuando el electrodoméstico no esté en uso y no debe almacenarse cerca de este o cualquier otro electrodoméstico.

ADVERTENCIA

Cuando no esté en uso, apague los controles de la unidad y la fuente de gas.

ADVERTENCIA

Este aparato estará caliente durante y después del uso. Use manoplas o guantes para horno con aislante para protegerse de superficies calientes o salpicaduras de líquidos al cocinar.

CAUTION

Nunca manipule piezas calientes con manos desprotegidas.

CUIDADO Y MANTENIMIENTO

Limpie regularmente su electrodoméstico entre usos, especialmente después de largos períodos de almacenamiento. Para extender la vida útil y las condiciones de la unidad, siga las mejores prácticas detalladas en este manual.

Sección 01

CUIDADO GENERAL

CONTROL DE LA VÁLVULA

Asegúrese de que el gas esté apagado en el cilindro de LP antes de revisar las válvulas. Las perillas deben estar bloqueadas en la posición OFF (Apagado).

01. Para revisar las válvulas, presione las perillas y suéltelas. Las perillas deben saltar hacia atrás.
02. Si las perillas no retroceden, reemplace el conjunto de la válvula antes de usar la plancha.
03. Gire las perillas a la posición baja y luego vuelva a la posición OFF (Apagado). Las perillas deben girar suavemente.

ACCESORIOS Y MANGUERAS

Se recomienda un control anual y el ajuste de los accesorios de metal.

Antes de cada uso, verifique si las mangueras están cortadas o desgastadas. Reemplace las mangueras dañadas antes de usar el aparato. Use solo piezas de repuesto aprobadas por Blackstone para válvula, manguera o regulador.

LIMPIEZA GENERAL

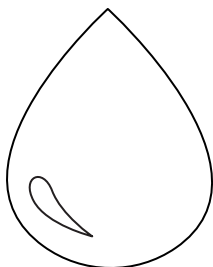
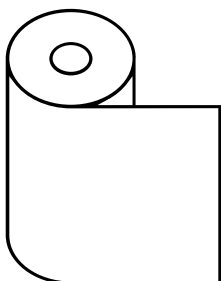
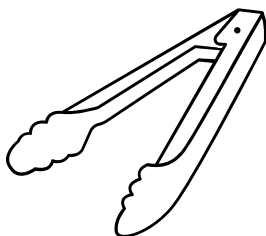
Asegúrese de que el aparato y sus componentes estén suficientemente fríos antes de limpiarlos.

- Los depósitos de grasa horneados pueden requerir el uso de un paño de plástico de limpieza abrasivo. Úselo solo en la dirección del acabado del cepillado para evitar daños.
- NO use un paño abrasivo en áreas con gráficos.
- Si se utiliza un cepillo de cerdas para limpiar las superficies de cocción, asegúrese de que no queden cerdas sueltas en las superficies de cocción antes de cocinar.



⚠ PRECAUCIÓN

Pequeñas variaciones en la fabricación y las materias primas pueden causar una ligera deformación de algunas placas. Una ligera deformación desaparecerá cuando la placa caliente se caliente como preparación para cocinar.



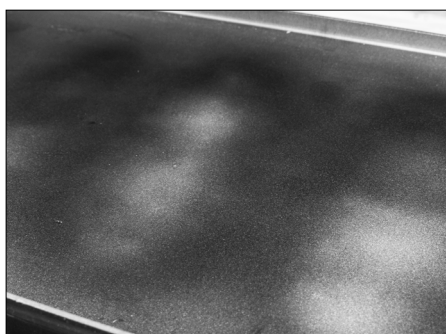
Sección 02

INSTRUCCIONES DE CURACIÓN DE LA PLANCHA

Para obtener los mejores resultados, recomendamos curar la plancha antes de cocinar en la parte superior de la plancha.



PASO 01 Asegúrese de que la parte superior de la plancha esté limpia de escombros. (Consulte la sección Limpieza de su plancha)



PASO 02 Encienda la plancha siguiendo las instrucciones de encendido (se encuentra en la unidad, o consulte Cuidado y mantenimiento > Sección 01 / Sección 02). Gire todas las perillas para ajustar los quemadores a alto. Espere aproximadamente 10-15 minutos hasta que la parte superior de la plancha comience a decolorarse.



PASO 03 Vierta una cantidad ligera de aceite de cocina en la parte superior de la plancha. Cualquier aceite de cocina servirá. La cantidad de aceite utilizado depende del tamaño de la plancha (consulte la tabla de medidas).

HERRAMIENTAS NECESARIAS: Pinzas de cocina, toallas de papel y aceite de cocina



Sección 03

LIMPIEZA DEL CONJUNTO DEL QUEMADOR

Siga estas instrucciones para limpiar y/o reemplazar pieza del conjunto del quemador o si tiene problemas para encender la plancha. Mientras limpia, revise el quemador para detectar daños. Si encuentra grietas u orificios grandes, reemplace el quemador.

PASO 01 Apague el gas desde las perillas de control y el cilindro de LP. Retire la parte superior de la plancha.



PASO 02 Separe con cuidado y retire el quemador.



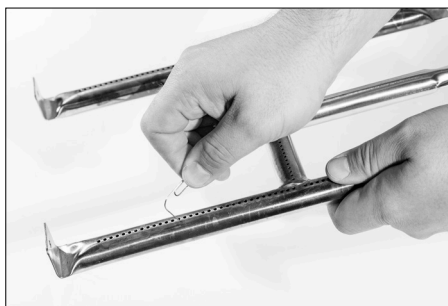
PASO 03 Pase un cepillo de botella estrecho a través de cada tubo del quemador varias veces. (No utilice cepillos de alambre)

Se incluyen los siguientes métodos adicionales:

- a** Pase un alambre rígido doblado en un pequeño gancho a través de cada tubo del quemador varias veces.
- b** Use una manguera de aire para forzar el aire dentro del tubo del quemador y por fuera de los puertos del quemador. Compruebe que el aire sopla a través de cada agujero. (Use protección para los ojos)



PASO 04 Cepille toda la superficie exterior del quemador para eliminar la suciedad.



PASO 05 Limpie los puertos bloqueados con un cable rígido, como un clip de papel abierto. Luego, reemplace con cuidado los quemadores y vuelva a colocarlos. Los tubos del quemador se deben volver a conectar con las aberturas de la válvula.



PELIGRO

No coloque artículos inflamables en estantes laterales cerca de la plancha. Los contenedores de aerosol son particularmente peligrosos porque **pueden sobrecalentarse y provocar una explosión, incendio, lesiones personales graves o la muerte.**

ADVERTENCIA

No deje la plancha desatendida mientras precalienta o quema los residuos de alimentos. Si la plancha no se ha limpiado regularmente, se puede producir un incendio por la grasa que puede causar lesiones graves o daños materiales.

ADVERTENCIA

No coloque toallas aceitosas o grasosas cerca de la unidad de la plancha, ya que pueden quemarse espontáneamente.

Sección 04

LIMPIANDO SU PLANCHA

ALMACENAR SU PARRILLA

Siga estos sencillos pasos de limpieza para garantizar un rendimiento óptimo y la longevidad de la Plancha Blackstone.

Cuando proteja la plancha con una cubierta suave, use el método de “carpa” para evitar que el agua se acumule en la parte superior de la plancha. Formar una “tienda” implica colocar un objeto (un tazón, una pelota de tenis o una tubería de PVC) debajo de la cubierta suave en el centro de la plancha para permitir que el agua se deslice. La formación de la “tienda” ayuda a prevenir la oxidación.

LA PRIMERA LIMPIEZA

SUPERFICIE DE COCCIÓN

DE LA PLANCHA: Las planchas Blackstone están pretratadas con aceite de cocina para evitar la oxidación y daños durante el envío. Por primera vez, lave la plancha con agua caliente y jabón.

ESTA ES LA ÚNICA VEZ QUE DEBE USAR JABÓN EN LA SUPERFICIE DE COCCIÓN DE LA PLANCHA.

Enjuague y seque completamente. Continúe con las instrucciones de curado. (Consulte la sección de Instrucciones curación de la plancha)

APAGADO DE LA PLANCHA

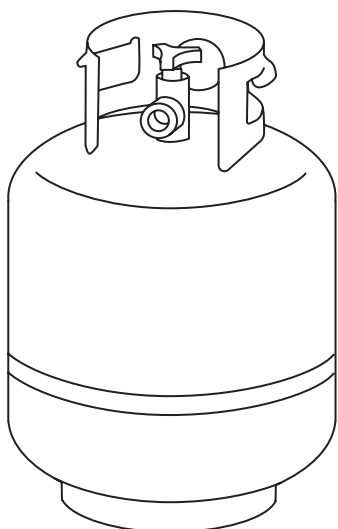
Gire todas las perillas a la posición OFF (Apagado). Apague el tanque de LP girando el volante OPD en sentido horario hasta que se detenga por completo.



⚠ ADVERTENCIA

Los combustibles utilizados en los artefactos de gas propano licuado y los productos de la combustión de dichos combustibles pueden exponerlo a sustancias químicas, incluido el benceno, que el Estado de California considera que causa cáncer y causa defectos de nacimiento u otros daños reproductivos.

Para obtener más información, vaya a www.P65Warnings.ca.gov.



CARBURANTE | PROPANO - CILINDRO DE 20 LB

Sección 01

CILINDROS DE PROPANO LÍQUIDO DE 20 LB

LP (GAS DE PETRÓLEO LICUADO)

El gas LP no es tóxico, es inodoro e incoloro cuando se produce. Por seguridad y para una fácil detección, al gas LP se le ha dado un olor similar al del repollo podrido.

El gas LP es altamente inflamable y puede encenderse inesperadamente cuando se mezcla con el aire.

REQUISITOS DEL CILINDRO DE PROPANO LÍQUIDO DE 20 LB

- Asegúrese de que los cilindros tengan una Certificación DOT y que hayan sido probados por un proveedor de gas LP dentro de los cinco años de uso.
- Todos los sistemas de suministro por tanques de LP deben incluir un cuello para proteger la válvula del cilindro.

- Use solo un cilindro de 43.2 cm x 28.8 cm (18 x 12 pulgadas), de 20 lb de LP.
- El cilindro debe estar construido y marcado de acuerdo con las especificaciones para LP: Cilindros de gas del Departamento de Transporte (D.O.T.) de los Estados Unidos o la Norma Nacional de Canadá, CAN/CSA-B339, Cilindros, Esferas y Tubos o Transporte de Mercancías Peligrosas; y la Comisión, según corresponda.

REQUISITOS DEL CILINDRO DE PROPANO LÍQUIDO DE CANADÁ

El cilindro de gas LP debe construirse y marcarse de acuerdo con las especificaciones de los cilindros de gas LP, T.C.



PELIGRO

- **NUNCA** almacene un cilindro/ botella de LP de repuesto debajo o cerca del aparato o en un área cerrada.
- **NUNCA** llene un cilindro/ botella de LP más del 80% de su capacidad.
- **NO** almacene un tanque/ botella de LP en un área donde los niños jueguen.
- **NUNCA** deje un tanque/ botella de LP dentro de un vehículo que pueda sobrecalentarse con el sol.

Si no se sigue exactamente la información anterior, puede ocurrir un incendio que cause la muerte o lesiones graves.

Un cilindro sobrecargado o almacenado incorrectamente es un peligro debido a la posible liberación de gas de la válvula de seguridad. Esto podría causar un incendio intenso con riesgo de daños a la propiedad, lesiones graves o la muerte.

Si ve, huele o escucha que el gas se escapa, aléjese inmediatamente del cilindro de LP y del aparato y llame al departamento de bomberos.

CAMBIO DEL TANQUE DE LP

Realice pruebas para detectar fugas de los tanques de LP nuevos y cambiados ANTES de conectarlos a la plancha.

Muchos minoristas ofrecen la opción de reemplazar los tanques de LP vacíos a través de un servicio de intercambio.

Utilice solo las empresas de cambio de buena reputación que inspeccionan, llenan con precisión, prueban y certifican sus tanques.

Cambie el tanque solo por un tanque equipado con la función de seguridad OPD.

Coloque la tapa contra el polvo en la salida de la válvula del cilindro siempre que el cilindro no esté en uso.

Solo instale el tipo de tapa antipolvo en la salida de la válvula del cilindro que se proporciona con la válvula del cilindro. Otros tipos de tapas o tapones pueden provocar fugas de propano.

TENGA EN CUENTA: Su distribuidor puede ayudarlo a hacer coincidir un tanque de reemplazo con su plancha.



⚠ ADVERTENCIA

Nunca intente conectar esta plancha al sistema de gas LP autónomo de un remolque, vehículo recreativo o autocaravana.

REMOCIÓN DE TANQUE DE LP DE 20 LB PARA TRANSPORTE O ALMACENAMIENTO

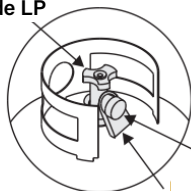
01. Apague todas las perillas de control y la válvula del tanque de gas LP.
02. Gire la tuerca de acoplamiento en sentido antihorario solo con la mano. No utilice herramientas para desconectar.
03. Levante el tanque de LP hacia arriba y afuera del soporte de apoyo.
04. Instale la tapa de seguridad en la válvula del tanque de gas LP.

Utilice siempre la tapa y la correa suministradas con la válvula.

Si no se usa la tapa de seguridad como se indica, se pueden producir lesiones personales graves y/o daños a la propiedad.

Un tanque de LP desconectado en almacenamiento o durante el transporte debe tener una tapa de seguridad instalada (como se muestra).

Válvula del tanque de LP



Tapa de seguridad
Correa de retención



⚠ ADVERTENCIA

No se incline sobre la plancha mientras se enciende.

⚠ ADVERTENCIA

Si la ignición NO ocurre en 5 segundos, apague los controles del quemador, espere 5 minutos y repita el procedimiento de encendido.

Si el quemador no se enciende con la válvula abierta, el gas continuará saliendo del quemador y podría encenderse accidental o inadvertidamente con riesgo de lesiones.

ENCENDIDO | BATERÍA

FUNCIONAMIENTO DE PLANCHA

Para un encendido y funcionamiento correctos de la plancha, siga los pasos a continuación.



PASO 01 Para que el interruptor de encendido funcione correctamente, asegúrese de que la batería esté correctamente instalada



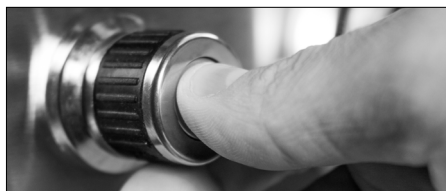
PASO 02 Apague las perillas de control del quemador de gas.



PASO 03 Abra el paso de gas en el cilindro de LP lentamente tomando 20 segundos para girar la perilla hasta la mitad.



PASO 04 Para encender, presione y gire la perilla del QUEMADOR DE ENCENDIDO a la posición MAX.



PASO 05 Presione y mantenga presionado el botón de ENCENDIDO ELECTRÓNICO hasta que se encienda el QUEMADOR DE ENCENDIDO.

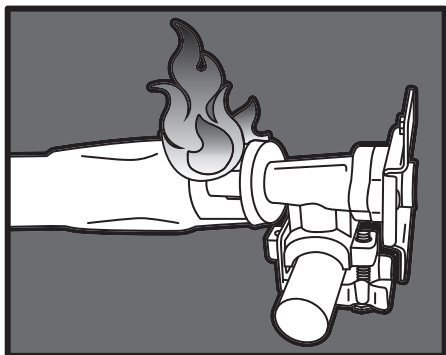


PASO 06 Para encender los quemadores restantes, gire cada perilla del quemador en secuencia a la posición MAX. Comience con el quemador más cercano a la AGUJA DE ENCENDIDO.



Sección 02

FLUJO DE GAS DE LA PLANCHA



SÍNTOMAS

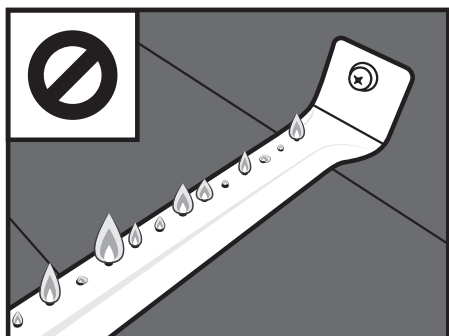
01. Una llama sale de la puerta de aire.

POSIBLES CAUSAS

01. Algo está bloqueando el venturi en el tubo del quemador. Esto no permite que el propano fluya a través del quemador, haciendo que la llama retroceda por la puerta de aire.

SOLUCIÓN

Limpie el conjunto del quemador para eliminar la obstrucción. (Consulte la sección Limpieza de la plancha del capítulo Cuidado y mantenimiento.)



SÍNTOMAS

01. Las llamas de los quemadores son amarillas o irregulares.

POSIBLES CAUSAS

01. Algo está bloqueando la puerta de aire para el quemador. Esto impide que el oxígeno se mezcle correctamente con el propano para obtener llamas saludables.

SOLUCIÓN

Verifique las compuertas de aire en su quemador. Si tiene persianas de aire ajustables sobre sus compuertas de aire, asegúrese de que estén completamente abiertas. Si sus quemadores tienen protectores contra insectos, limpie cualquier telaraña, hollín o desechos del protector contra insectos. Limpie cualquier otra obstrucción de las compuertas de aire.



SOPORTE TÉCNICO. Escanee el código QR para ver más videos o visite el canal de Blackstone en YouTube en [youtube.com/blackstonegriddles](https://www.youtube.com/blackstonegriddles)



⚠ PRECAUCIÓN

Pequeñas variaciones en la fabricación y las materias primas pueden causar una ligera deformación de algunas placas. Una ligera deformación desaparecerá cuando la placa caliente se caliente como preparación para cocinar.

¡NUESTRO PERSONAL DE SERVICIO AL CLIENTE ESTÁ AQUÍ PARA AYUDARLO!

Si tiene preguntas sobre su producto Blackstone o si necesita piezas de repuesto, registre su plancha en blackstoneproducts.com/register-griddle y contáctenos en:

☎ **TELÉFONO:**
435-252-3030 ext 1

✉ **CORREO ELECTRÓNICO:**
support@blackstoneproducts.com

💻 **EN LÍNEA:**
blackstoneproducts.com/customer-support

Nos complace ayudarlo con cualquier pregunta relacionada con el uso de la plancha, las piezas de repuesto o su garantía.

Puede comunicarse con nuestro personal de servicio al cliente de lunes a viernes de 7:00 a.m. a 5:00 p.m., hora estándar de la montaña.

PREGUNTAS FRECUENTES

P. ¿Qué tipos de aceites de cocina puedo usar para curar mi plancha?

R. Recomendamos los siguientes aceites para curar: aceite de oliva, aceite vegetal, aceite de canola, aceite de coco, aceite de semilla de lino y aceite de sésamo. (Consulte la sección Instrucciones de curación de la plancha del capítulo Cuidado y mantenimiento.)

P. ¿Puedo usar detergente para platos para limpiar mi plancha?

R. Los detergentes para platos que cortan la grasa borrarán el curado de la plancha y no deben utilizarse después de que se cure la plancha. Para lugares difíciles, use sal de mesa y agua caliente y siempre cubra con una capa delgada de aceite una vez que haya terminado de limpiar. (Para instrucciones de limpieza de la plancha, consulte la sección Limpieza de la plancha del capítulo Cuidado y mantenimiento.)

P. ¿Por qué la superficie de mi plancha se ve opaca y seca en lugar de brillante y negra?

R. El curado es un proceso continuo. Con el tiempo y cuanto más use la superficie de la plancha, esta se volverá más brillante, negra y antiadherente.

P. ¿Puedo cortar directamente en la parte superior de la plancha??

A: Sí, puedes. Cortar sobre la parte superior de la plancha no la dañará.

P. ¿Qué pasa si mi plancha comienza a oxidarse?

R. Si aparece óxido en la superficie de la plancha, frótela con lana de acero o papel de lija de grano bajo y vuelva a curar la superficie. ([youtube.com/watch?v=thPE2lgnSil](https://www.youtube.com/watch?v=thPE2lgnSil)) Tenga cuidado de siempre secar completamente su plancha antes de guardarla y manténgala alejada de la lluvia y los rociadores. También es importante mantener su plancha cubierta. (Para conocer las técnicas de almacenamiento adecuadas, consulte la sección Cuidado general del capítulo Cuidado y mantenimiento.)

LOS CLIENTES EN CLIMAS HÚMEDOS O COSTEROS PUEDEN REQUERIR CURADOS MÁS FRECUENTES Y EL USO DE ACEITES DE COCCIÓN PARA EVITAR EL ÓXIDO Y LA CORROSIÓN.

Para consultar más preguntas frecuentes visite blackstoneproducts.com/faq



